

This Owner's Manual is provided and hosted by [Appliance Factory Parts](http://www.appliancefactoryparts.com).



TWIN EAGLES TEOB30F-B Owner's Manual

[Shop genuine replacement parts for TWIN EAGLES
TEOB30F-B](#)



[Find Your TWIN EAGLES Refrigerator Parts - Select From 3 Models](#)

----- Manual continues below -----

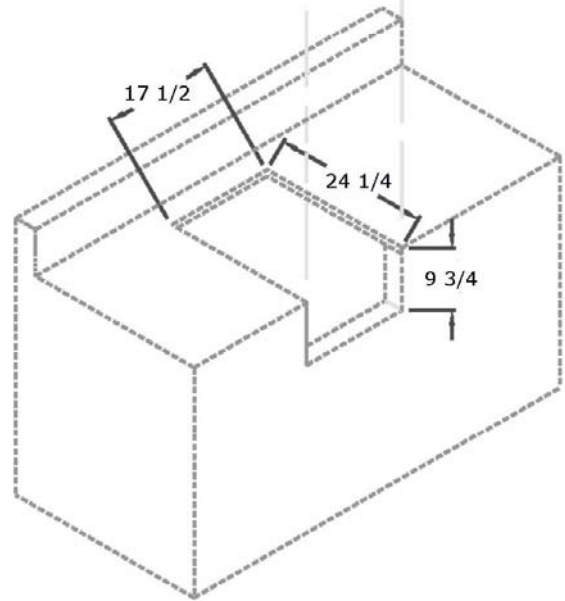
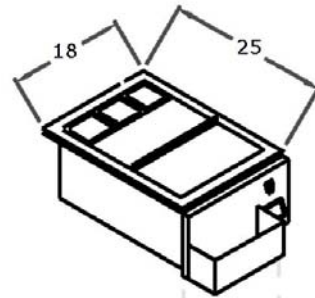


TWIN EAGLES OUTDOOR BAR INSTALLATION USE AND CARE MANUAL

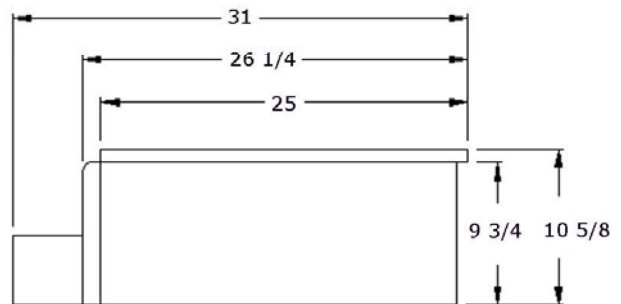
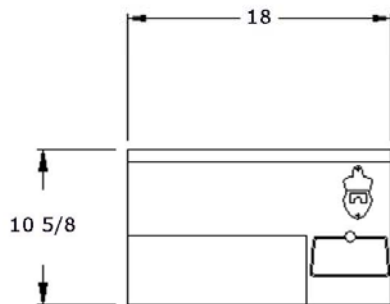


Models: TEOB18-B
TEOB30-B
TEOB30F-B

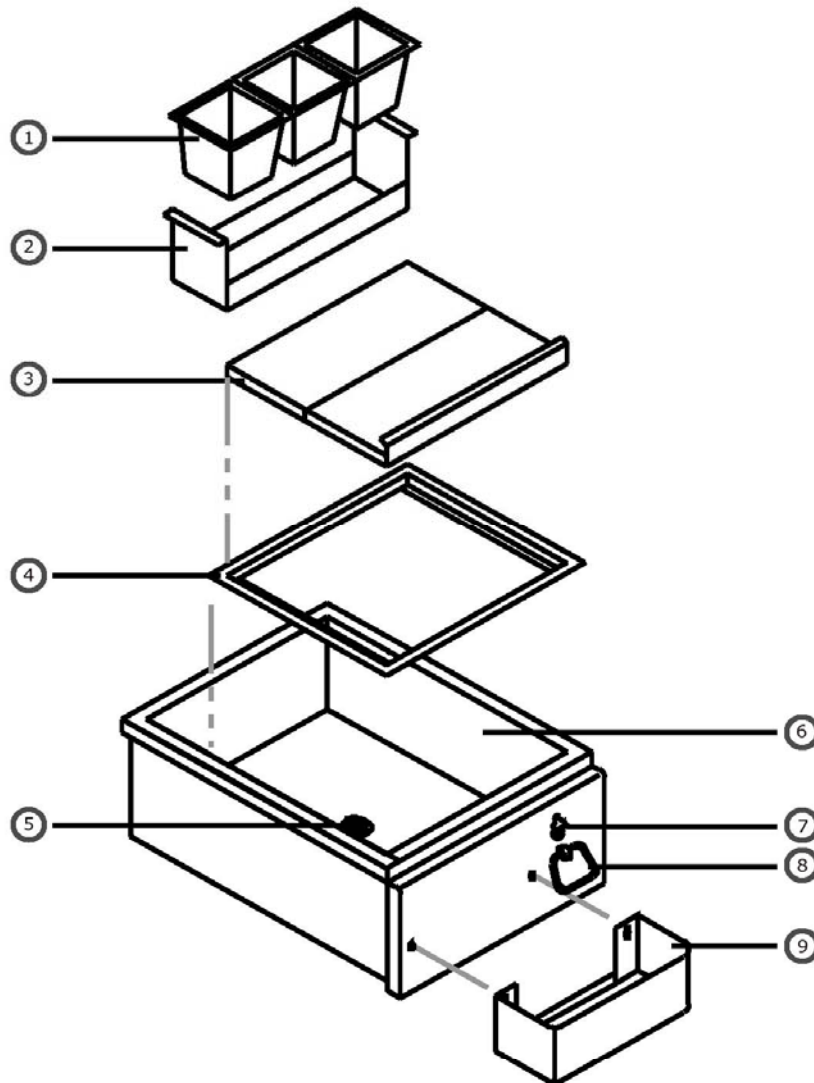
TEOB18-B 18" BUILT-IN OUTDOOR BAR



CABINET CUTOUT DIMENSIONS



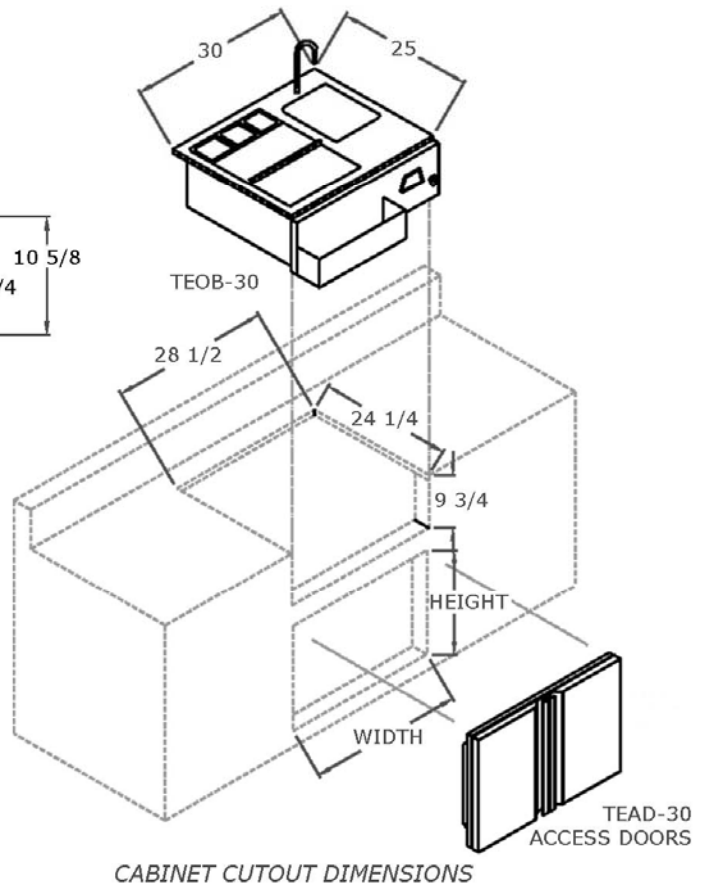
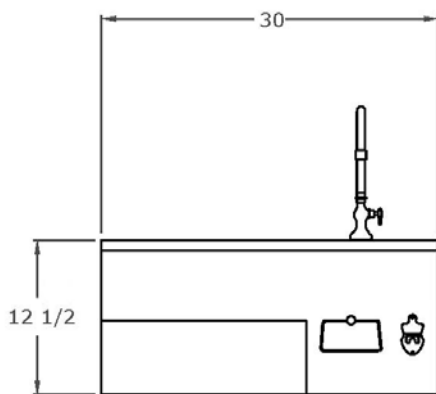
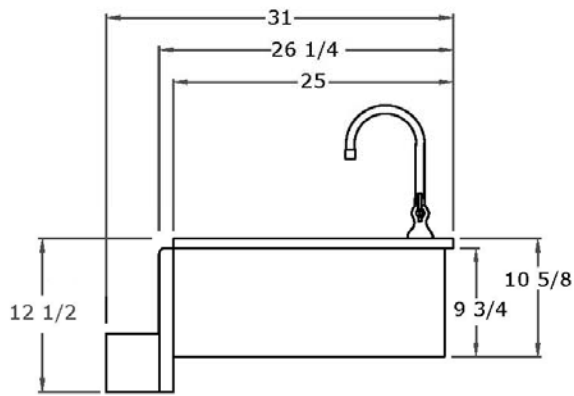
TEOB18-B 18" BUILT-IN OUTDOOR BAR



FEATURES

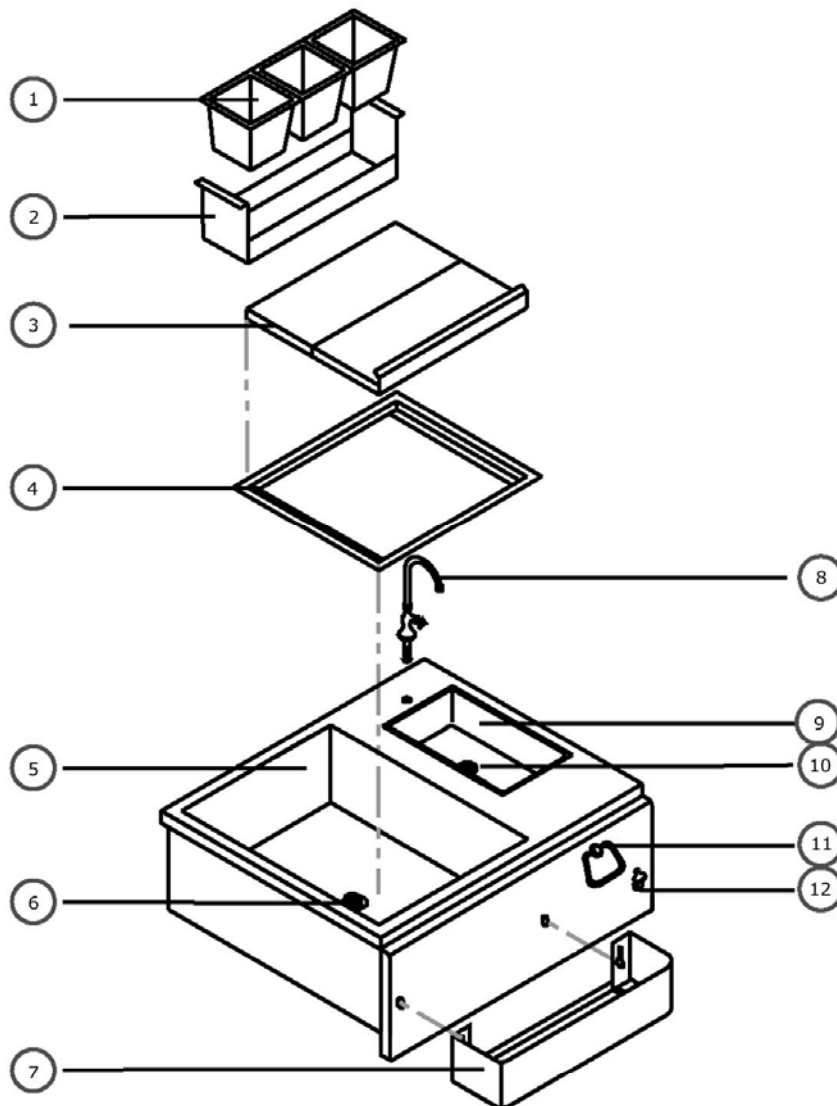
- | | |
|--|---------------------------------|
| ① BOTTLE WELLS
(HOLDS BOTTLES AND CONDIMENTS) | ⑥ ICE BIN |
| ② CONDIMENT TRAY
(COLLECTS DRIPPINGS FROM CONDIMENTS) | ⑦ BOTTLE OPENER |
| ③ SLIDING COVER | ⑧ TOWEL RING |
| ④ COVER FRAME
(HOLDS COVER) | ⑨ SPEED RAIL
(HOLDS BOTTLES) |
| ⑤ ICE BIN DRAIN PLUG | |

TEOB30-B 30" BUILT-IN OUTDOOR BAR



TEOB30-B

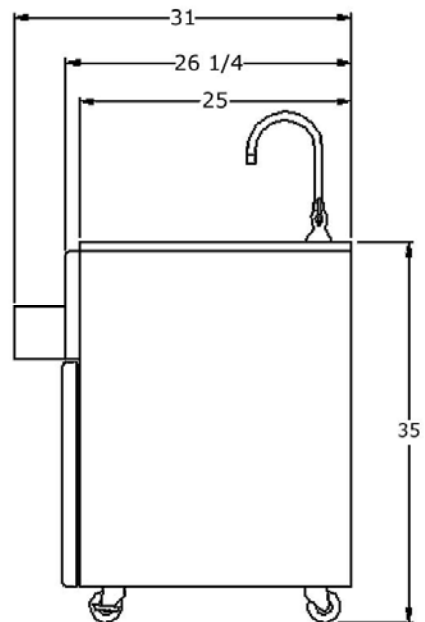
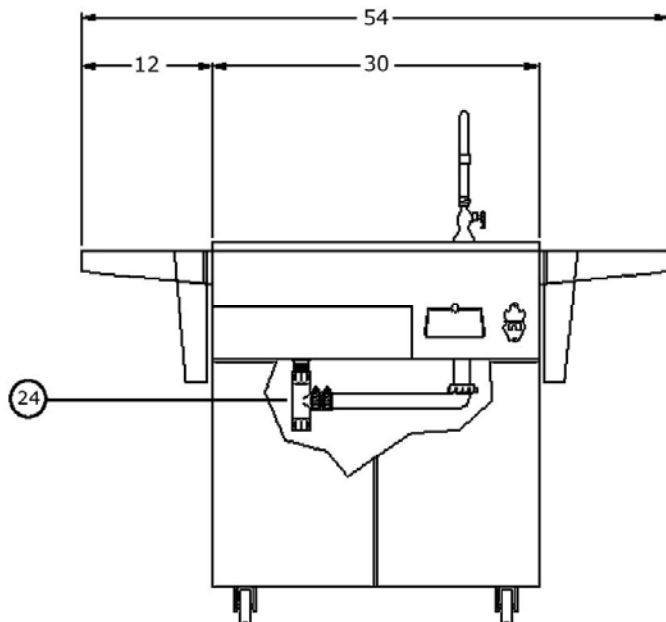
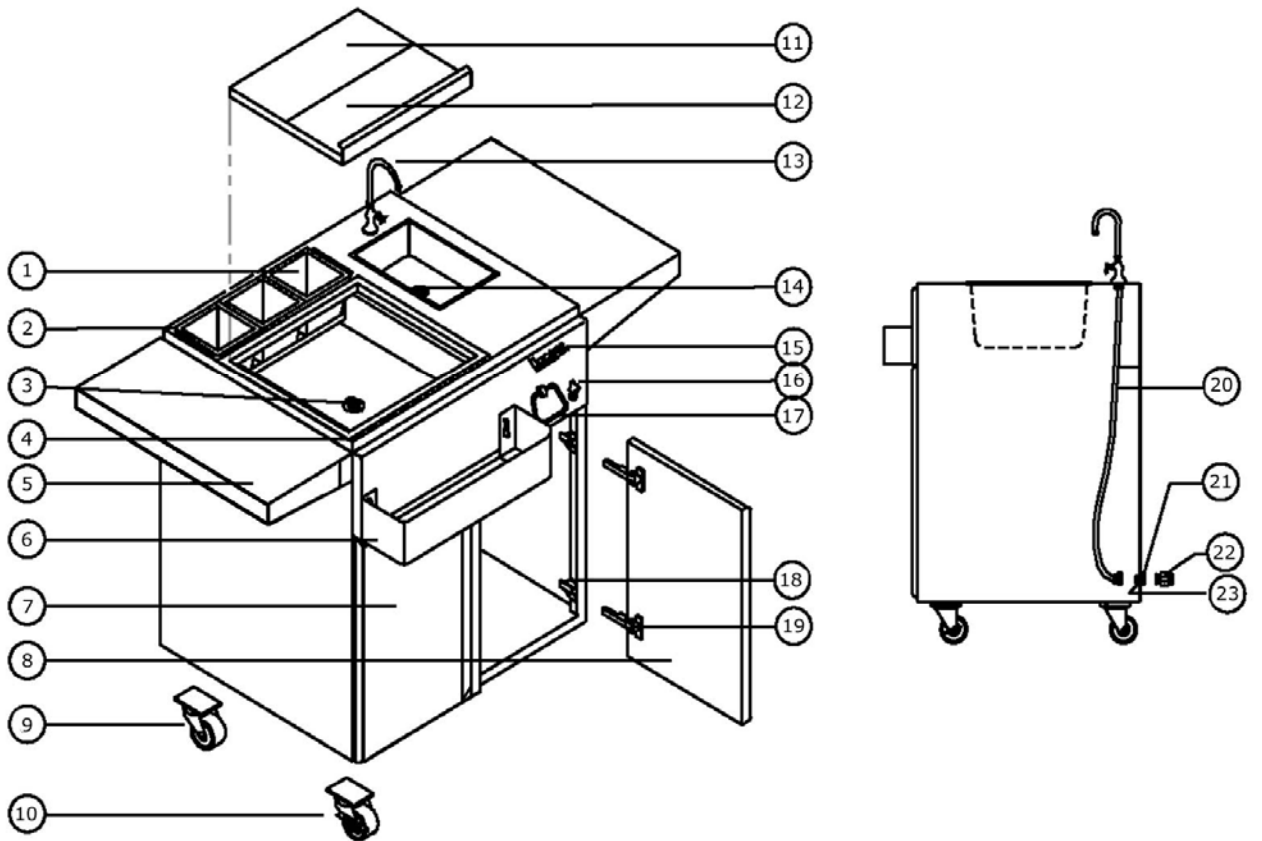
30" BUILT-IN OUTDOOR BAR



LIST OF FEATURES

- | | |
|---|---------------------------------|
| ① BOTTLE WELLS
(HOLDS BOTTLES AND CONDIMENTS) | ⑦ SPEEDRAIL
(HOLDS BOTTLES) |
| ② CONDIMENT TRAY
(COLLECTS DRIPPINGS FROM CONDIMENTS) | ⑧ GOOSENECK SINGLE FAUCET |
| ③ SLIDING COVER | ⑨ BARSINK |
| ④ COVER FRAME
(HOLDS COVER) | ⑩ CRUMB CUP STOPPER |
| ⑤ ICE BIN | ⑪ TOWEL RING |
| ⑥ ICE BIN PLUG | ⑫ BOTTLE OPENER |

TEOB30F-B 30" OUTDOOR BAR FREESTANDING



TWIN EAGLES OUTDOOR BAR TEOB – PARTS LIST

Item	Part Number	Description
1	14407	BOTTLE WELLS
2	20318	CONDIMENT TRAY
3	12612	ICE BIN DRAIN PLUG
4	20314Y	COVER FRAME
5	21643	SIDE SHELF
6A	20311	SPEED RAIL, TEOB18-B
6B	20312	SPEED RAIL, TEOB30-B
7	20202-30LY	LEFT DOOR ASSEMBLY
8	20101-30RY	RIGHT DOOR ASSMEBLY
9	14403	SWIVEL CASTERS
10	14404	CASTER WITH BRAKES
11	20315	REAR FIXED COVER
12	20316	FRONT SLIDING COVER
13	12616	GOOSE NECK FAUCET
14	12615	STRAINER-DRAIN PLUG
15	18301	TWIN EAGLES LOGO
16	14410	BOTTLE OPENER
17	14409	TOWEL RING
18	14402	HINGE PLATE
19	14401	DOOR HINGE
20	12620	CONNECTOR HOSE
21	12619	HOSE COUPLING
22	12621	HOSE FLAME COUPLING
23	12624	LOCKNUT
24	23054Y	DRAIN KIT (see page 8)

Installation and Assembly Instructions

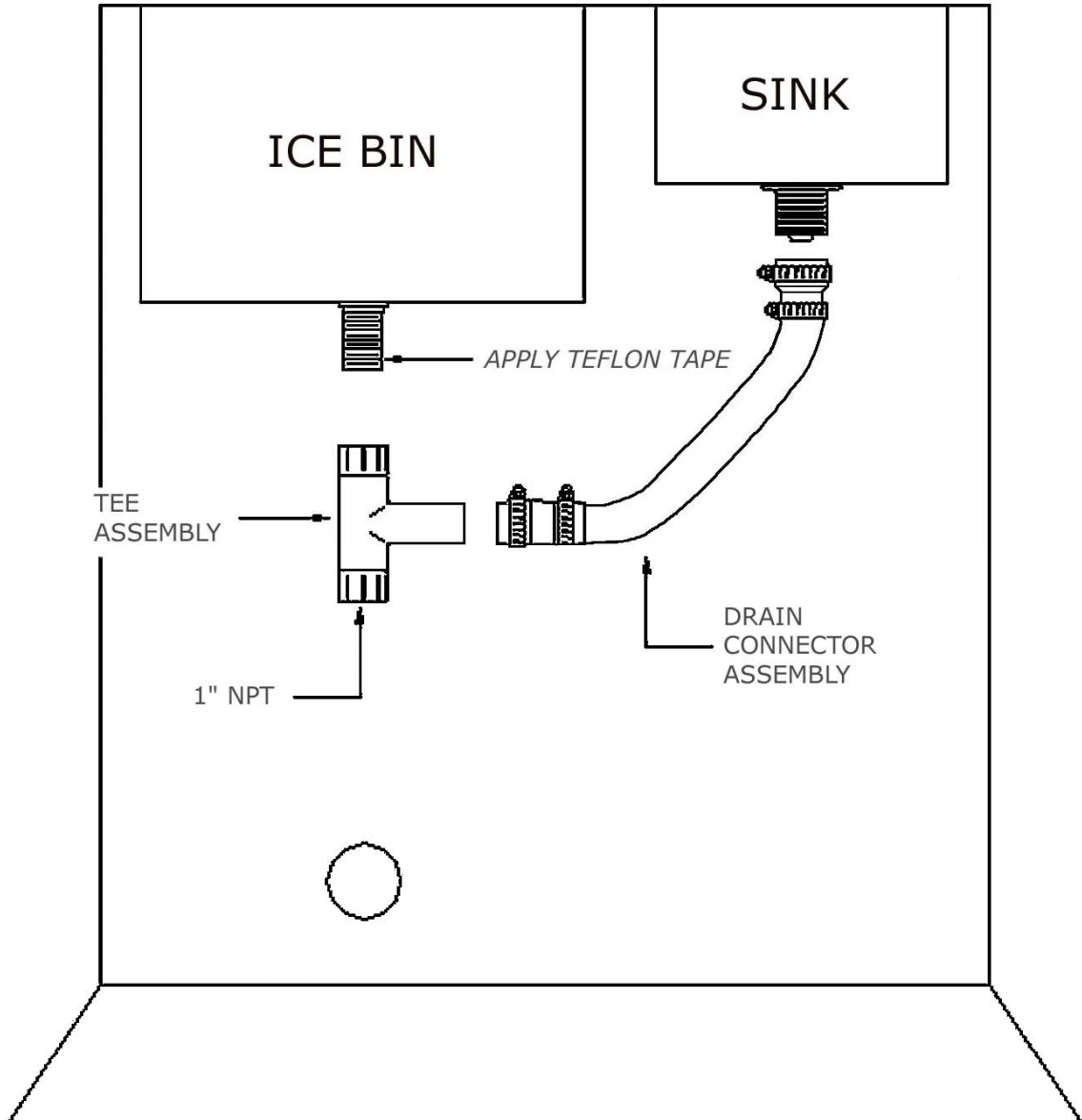
1. Please check that all items shown in the preceding diagrams are in the package.

Make sure the following loosed items are included:

	TEOB18-B	TEOB30-B	TEOB30F-B
Bottle Wells	3	3	3
Condiment tray	1	1	1
Sliding Cover	1	1	1
Cover Frame	1	1	1
Ice bin Drain Plug	1	1	1
Speed Rail	1	1	1
Faucet		1	1
Sink Drain Plug		1	1
Side Shelves			2
Casters w/ Brakes			2
Casters w/o Brakes			2

2. Install the Built-in models into the cabinet or island. Apply weatherproof sealant around the edges of the units.
3. Install drain lines: one for the 1” brass drain of the ice bin and one for the 1-1/2” stainless steel drain of the dump sink. An optional drain kit is available from your dealer as an accessory for the TEOB30-B. Refer to Drain Kit installation instructions on page 8.
4. Install the faucet on TEOB30-B and TEOB30F-B (see assembly instruction inside the faucet box) and connect to cold water line. On TEOB30F-B, the connector hose is pre-installed for a connection to a garden hose.
5. Check water and drain connections for leaks.
6. Attach the speed rail to the front of the unit.
7. Install the condiment tray to the back of the ice bin.
8. Install the cover frame to the front of the ice bin with the turned edges of the frame on the sides.
9. Install 3 bottle wells into the condiment tray.
10. Install the 2-piece cover into the cover frame with the rear cover at the back and the sliding cover at the front.
11. Install the drain plugs for the ice bin and for the dump sink.

TEOB30-B, TEOB30F-B OUTDOOR BAR DRAIN KIT CONNECTION



CLEANING AND MAINTENANCE

The Twin Eagles Outdoor Bar is made of stainless steel for long lasting beauty and service. It is non-rusting and non-magnetic.

Use stainless steel cleaner to clean the unit.

Mild soap and water can be used to wipe dirt.

Do not use steel wool to clean unit. Steel wool could leave metal fibers that will cause rusting.

Do not use abrasives on the polished surfaces or they will lose their luster and highlights. Use mild chrome cleaner, metal polish or WD40 to bring back luster.

To touch up minor scratches in the stainless steel surface, use a mild abrasive pad like Scotch Brite or emery sand paper with 100 dry grit. Scrub the affected area very lightly and always in the direction of the grain.