

This Owner's Manual is provided and hosted by [Appliance Factory Parts](#).



# LG WM2801HRA Owner's Manual

[Shop genuine replacement parts for LG WM2801HRA](#)



[Find Your LG Washer Parts - Select From 393 Models](#)

----- Manual continues below -----



# STEAM WASHER™

## USER'S GUIDE & INSTALLATION INSTRUCTIONS

Before beginning installation, read these instructions carefully. This will simplify installation and ensure that the washer is installed correctly and safely.

Leave these instructions near the washer after installation for future reference.

# STEAM WASHER™ LAVADORA

## GUÍA DEL USUARIO E INSTRUCCIONES DE INSTALACIÓN

Antes de comenzar la instalación, lea atentamente estas instrucciones. Esto simplificará la instalación y asegurará que la lavadora está instalada en forma correcta y segura. Conserve estas instrucciones cerca de la lavadora luego de la instalación para futuras consultas.

# STEAM WASHER<sup>MC</sup> GUIDE DE L'UTILISATEUR ET DIRECTIVES D'INSTALLATION

Avant de commencer à installer votre machine à laver, lisez attentivement ces instructions. Cela simplifiera votre installation et assurera que la machine à laver est installée correctement et en toute sécurité. Conservez ces instructions à proximité de la machine à laver après son installation, pour référence future.

Model/Modelo/Modèle  
WM280IH\*A



Designed specially to use only  
HE (High-Efficiency) detergent

Diseñada específicamente para usar con el  
detergente tipo HE (Alta eficiencia)

Spécialement conçu pour  
utilisation avec un détergent haute ef-  
ficacité uniquement

Protocol P172

Sanitization Performance of Residential and  
Commercial, Family Sized Clothes Washers

Protocolo P172

Ejecucion de Saneamiento en la zona  
residencial y comercial, lavadoras del uso del hogar

Protocole P172

Performance en matière d'assainissement des laveuses  
résidentielles et commerciales de grande taille



To contact LG Electronics, 24 hours a day,  
7 days a week:

**1-800-243-0000**

Or visit us on the Web at: [us.lge.com](http://us.lge.com)

Número telefónico de LG Electronics, las 24  
horas del día, 7 días a la semana:

**1-800-243-0000**

O visítenos en la Web en: [us.lge.com](http://us.lge.com)

To contact LG Electronics, 24 hours a day,  
7 days a week:

**1-888-542-2623**

Or visit us on the Web at: [ca.lge.com](http://ca.lge.com)

Pour contacter LG Electronics, 24 heures par jour,  
7 jours par semaine :

**1-888-542-2623**

Ou visitez notre site Web à l'adresse : [ca.lge.com](http://ca.lge.com)



# INTRODUCTION

## IMPORTANT SAFETY INSTRUCTIONS

Basic Safety Precautions ..... 3-6

## PARTS AND FEATURES

Special Features..... 7  
Key Parts and Components ..... 8

## INSTALLATION INSTRUCTIONS

Choose the Proper Location ..... 9  
Clearances ..... 9  
Flooring ..... 10  
Installations With Optional Pedestal Base  
or Stacking Kit..... 10  
Unpacking and Removing Shipping Bolts ..... 11  
Connecting the Water Lines ..... 12  
Connecting the Drain Line..... 13  
Leveling the Washer ..... 14

## HOW TO USE

Sorting Wash Loads ..... 15  
Selecting Detergent..... 16  
About the Dispenser..... 16  
Loading the Dispenser ..... 17  
Control Panel Features..... 18  
Cycle Guide..... 19  
The LED Display ..... 20  
Operating the Washer ..... 21  
Steam Cycles ..... 22  
Cycle Setting Buttons ..... 23  
Special Function Buttons ..... 24  
Custom Program ..... 25  
Secondary Functions ..... 25  
Special Care Cycles ..... 26

## CARE AND CLEANING

Regular Cleaning ..... 27-28  
Cleaning the Washer ..... 29  
Maintenance..... 30-31

## TROUBLESHOOTING

Normal Sounds You May Hear ..... 32  
Before Calling for Service..... 32-34

## SPECIFICATIONS/OPTIONAL ACCESSORIES

Key Dimensions and Specifications ..... 35  
Optional Accessories ..... 35

## THANK YOU!

Congratulations on your purchase  
and welcome to the LG family.

Your new LG Steam Washer™  
combines the most advanced  
washing technology with simple  
operation and high efficiency.

By following the operating and care  
instructions in this manual, your  
washer will provide you with many  
years of reliable service.

## WARRANTY ..... 36-37

### *Product Registration Information*

**Model:**

**Serial Number:**

**Date of Purchase:**

The model and serial number can be located on the rating plate on the front of the washer.



# IMPORTANT SAFETY INSTRUCTIONS

## READ ALL INSTRUCTIONS BEFORE USE

**⚠️ WARNING** For your safety, the information in this manual must be followed to minimize the risk of fire or explosion, electric shock, or to prevent property damage, personal injury, or loss of life.

### Your Safety and the safety of others is very important.

We have provided many important safety messages in this manual and on your appliance. Always read and obey all safety messages.



This is the safety alert symbol.

This symbol alerts you to potential hazards that can kill or hurt you and others.

All safety messages will follow the safety alert symbol and either the word DANGER or WARNING.

These words mean:

**⚠️ DANGER:** You can be killed or seriously injured if you don't immediately follow instructions.

**⚠️ WARNING:** You can be killed or seriously injured if you don't follow instructions.

All safety messages will tell you what the potential hazard is, tell you how to reduce the chance of injury, and tell you what can happen if the instructions are not followed.

# IMPORTANT SAFETY INSTRUCTIONS

## READ ALL INSTRUCTIONS BEFORE USE

**⚠WARNING** For your safety, the information in this manual must be followed to minimize the risk of fire or explosion, electric shock, or to prevent property damage, personal injury, or loss of life.

### BASIC SAFETY PRECAUTIONS

**⚠WARNING:** To reduce the risk of fire, electric shock, or injury to persons when using this appliance, follow basic precautions, including the following.

- Before use, the washer must be properly installed as described in this manual.
- Do not wash articles that have been previously cleaned in, washed in, soaked in, or spotted with gasoline, dry cleaning solvents, or other flammable or explosive substances, as they give off vapors that could ignite or explode.
- Do not add gasoline, dry cleaning solvents, or other flammable or explosive substances to the wash water. These substances give off vapors that could ignite or explode.
- Under certain conditions, hydrogen gas may be produced in a hot water system that has not been used for 2 weeks or more. **HYDROGEN GAS IS EXPLOSIVE.** If the hot water system has not been used for such a period, before using the washer, turn on all hot water faucets and let the water flow from each for several minutes. This will release any accumulated hydrogen gas. As the gas is flammable, do not smoke or use an open flame during this time.
- Do not allow children to play on or in the washer. Close supervision of children is necessary when the washer is used near children.
- Before the washer is removed from service or discarded, remove the door to prevent children from climbing inside.
- Do not install or store the washer where it will be exposed to the weather or freezing temperatures.
- Do not tamper with controls.
- Do not repair or replace any part of the washer or attempt any servicing other than as described in this manual. We strongly recommend that any service be performed by a qualified individual.
- See Installation Instructions for grounding requirements.
- ALWAYS follow the fabric care instructions supplied by the garment manufacturer.
- Do not place items exposed to cooking oil in your washer. Items contaminated with cooking oils may contribute to a chemical reaction that could cause a load to catch fire.
- Use fabric softeners or products to eliminate static only as recommended by the manufacturer.
- This washer is not designed for maritime use or for mobile installations such as in RVs, aircraft, etc.
- Turn off the water taps and unplug the washer if the machine is to be left for an extended period of time, such as during vacations.
- Do not use to dry articles containing foam rubber or similarly textured rubber-like materials.
- Packaging material can be dangerous for children. There is a risk of suffocation! Keep all packaging from children.
- Always check the inside of the washer for foreign objects before loading laundry. Keep the door closed when not in use.

### GROUNDING INSTRUCTIONS

This appliance must be grounded. In the event of malfunction or breakdown, grounding will reduce the risk of electric shock by providing a path of least resistance for electric current. This appliance is equipped with a cord having an equipment-grounding conductor and grounding plug. The plug must be plugged into an appropriate outlet that is properly installed and grounded in accordance with all local codes and ordinances.

**⚠WARNING:** Improper connection of the equipment-grounding conductor can result in risk of electric shock. Check with a qualified electrician or serviceman if you are in doubt as to whether the appliance is properly grounded. Do not modify the plug provided with the appliance. If it does not fit the outlet, have a proper outlet installed by a qualified electrician. Failure to follow these warnings can cause serious injury, fire, electrical shock, or death.

# IMPORTANT SAFETY INSTRUCTIONS

## READ ALL INSTRUCTIONS BEFORE USE

**⚠️ WARNING** For your safety, the information in this manual must be followed to minimize the risk of fire or explosion, electric shock, or to prevent property damage, personal injury, or loss of life.

## SAFETY INSTRUCTIONS FOR INSTALLATION

**⚠️ WARNING:** To reduce the risk of fire, electric shock, or injury to persons when using this appliance, follow basic precautions, including the following.

- **Refer to INSTALLATION INSTRUCTIONS for detailed grounding procedures.** Installation instructions are packed in the washer for installer's reference. If the washer is moved to a new location, have it checked and reinstalled by a qualified service person. Failure to follow this warning can cause serious injury, fire, electrical shock, or death.
- **Do not, under any circumstances cut or remove the third (ground) prong from the power cord.** Failure to follow this warning can cause serious injury, fire, electrical shock, or death.
- **For personal safety, this appliance must be properly grounded.** Failure to follow this warning can cause serious injury, fire, electrical shock, or death.
- **The power cord of this appliance is equipped with a 3-prong (grounding) plug which mates with a standard 3-prong (grounding) wall outlet** to minimize the possibility of electric shock hazard from this appliance.
- **This washer must be plugged into a 120VAC, 60Hz grounded outlet.** Failure to follow this warning can cause serious injury, fire, electrical shock, or death.
- **Have the wall outlet and circuit checked by a qualified electrician to make sure the outlet is properly grounded.** Failure to follow this warning can cause serious injury, fire, electrical shock, or death.
- **Where a standard 2-prong wall outlet is encountered, it is your personal responsibility and obligation to have it replaced with a properly grounded 3-prong wall outlet.** Failure to follow this warning can cause serious injury, fire, electrical shock, or death.
- **Do not install on carpet. Install washer on a solid floor.** Failure to follow this warning can cause serious leak damage.
- **Do not remove ground prong. Do not use an adapter or extension cord. Plug into a grounded 3-prong outlet.** Failure to follow these warnings can cause serious injury, fire, electrical shock, or death.
- **The washer should always be plugged into its own individual electrical outlet which has a voltage rating that matches the rating plate.** This provides the best performance and also prevents overloading house wiring circuits which could cause a fire hazard from overheated wires.
- **Never unplug your washer by pulling on the power cord.** Always grip plug firmly and pull straight out from the outlet. Failure to follow this warning can cause serious injury, fire, electrical shock, or death.
- **Repair or replace immediately all power cords that have become frayed or otherwise damaged. Do not use a cord that shows cracks or abrasion damage along its length or at either end.** Failure to follow this warning can cause serious injury, fire, electrical shock, or death.
- **When installing or moving the washer, be careful not to pinch, crush, or damage the power cord.** Failure to follow this warning can cause serious injury, fire, electrical shock, or death.
- **The washer must be installed and electrically grounded by a qualified service person in accordance with local codes** to prevent shock hazard and assure stability during operation.
- **Washer is heavy. Two or more people may be needed to install and move the appliance.** Failure to do so can result in back or other injury.
- **Store and install the washer where it will not be exposed to temperatures below freezing or exposed to outdoor weather conditions.** Failure to follow this warning can cause serious leak damage.
- **Do not install the washer in humid spaces to reduce the risk of electric shock.** Failure to follow this warning can cause serious injury, fire, electrical shock, or death.

# IMPORTANT SAFETY INSTRUCTIONS

## READ ALL INSTRUCTIONS BEFORE USE

**⚠️ WARNING** For your safety, the information in this manual must be followed to minimize the risk of fire or explosion, electric shock, or to prevent property damage, personal injury, or loss of life.

## SAFETY INSTRUCTIONS FOR USE, CARE AND CLEANING, AND DISPOSAL

**⚠️ WARNING:** To reduce the risk of fire, electric shock, or injury to persons when using this appliance, follow basic precautions, including the following.

- **Unplug the washer before cleaning** to avoid the risk of electric shock.
- **Never use harsh chemicals, abrasive cleaners, or solvents to clean the washer.** They will damage the finish.
- **Do not put oily or greasy rags or clothing on top of the washer.** These substances give off vapors that could ignite the materials.
- **Do not wash items that are soiled with vegetable or cooking oil.** These items may contain some oil after laundering. Due to the remaining oil, the fabric may smoke or catch fire by itself.
- **Disconnect this appliance from the power supply before attempting any user maintenance. Turning the controls to the OFF position does not disconnect this appliance from the power supply.** Failure to follow this warning can cause serious injury, fire, electrical shock, or death.
- **Do not combine laundry products for use in one load unless specified on the label.**
- **Do not mix chlorine bleach with ammonia or acids such as vinegar. Follow package directions when using laundry products.** Incorrect usage can produce poisonous gas, resulting in serious injury or death.
- **Do not reach into the washer while parts are moving. Before loading, unloading, or adding items, push in the cycle selector knob and allow the drum to coast to a complete stop before reaching inside.** Failure to follow this warning can cause serious injury, fire, electrical shock, or death.
- **Do not allow children to play on or in the washer. Close supervision of children is necessary when the washer is used near children. As children grow, teach them the proper, safe use of all appliances.** Failure to comply with these warnings could result in serious personal injuries.
- **Destroy the carton, plastic bag, and other packing materials after the washer is unpacked. Children might use them for play. Cartons covered with rugs, bedspreads, or plastic sheets can become airtight chambers.** Failure to comply with these warnings could result in serious personal injuries.
- **Keep laundry products out of children's reach. To prevent personal injury, observe all warnings on product labels.** Failure to comply with these warnings could result in serious personal injuries.
- **Remove the door to the washing compartment to avoid the danger of children or small animals getting trapped inside before your washer is removed from service or discarded.** Failure to do so can result in serious personal injury or death.

**SAVE THESE INSTRUCTIONS**

# PARTS AND FEATURES

## SPECIAL FEATURES

- 1 DETERGENT DISPENSER DRAWER**

This four-compartment drawer provides separate dispensers for prewash and main wash detergent, liquid bleach, and liquid fabric softener.
- 2 CONTROL PANEL WITH LED DISPLAY**

Simple electronic controls are user-friendly. The LED display indicates cycle options and cycle time during operation.
- 3 EASY-ACCESS LOCKING DOOR**

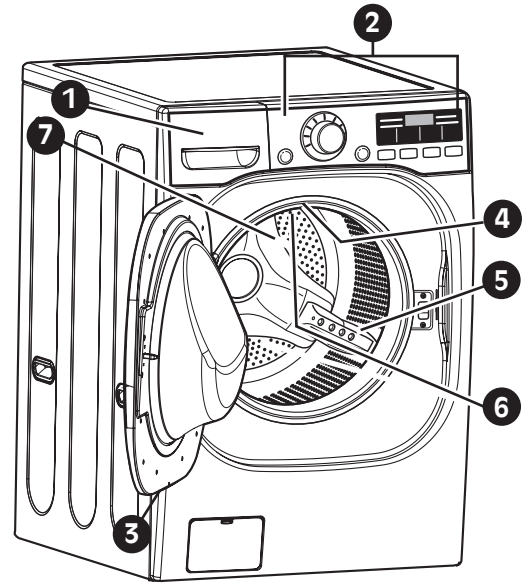
Extra-large door locks during operation and features a delay to prevent the door from being opened until the washer interior has cooled and the water level has lowered.
- 4 HIGH-EFFICIENCY STEAM CYCLES**

During LG's unique high-efficiency STEAM cycles, the steam nozzle injects fabrics with hot steam to gently remove tough stains.
- 5 ROLLERJETS**

The RollerJet system enhances wash performance while reducing fabric wear. Integrated jets spray clothes to further improve washing efficiency.
- 6 INTERIOR DRUM LIGHT**

The drum light illuminates the washer interior for greater visibility when loading and unloading. The ultra long-life LED bulbs should never need replacement.
- 7 DIRECT-DRIVE MOTOR**

Direct-drive motor eliminates the belt and pulleys found on most washers to provide improved performance and reliability while increasing energy efficiency.



# PARTS AND FEATURES

## KEY PARTS AND COMPONENTS

In addition to the special features and components outlined in the *Special Features* section, there are several other important components that are referenced in this manual.

### 1 ULTRA-CAPACITY STAINLESS STEEL DRUM

The ultra-large stainless steel drum offers extreme durability and is tilted to improve efficiency and allow easier access for large items.

### 2 WATER CIRCULATION AND STEAM NOZZLES

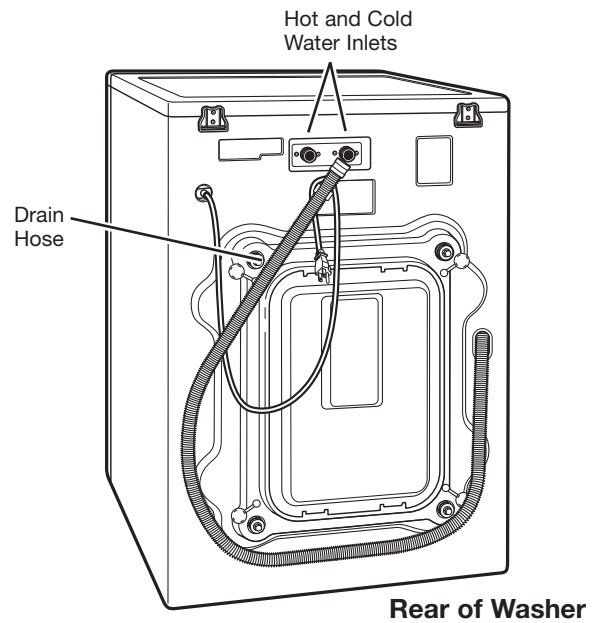
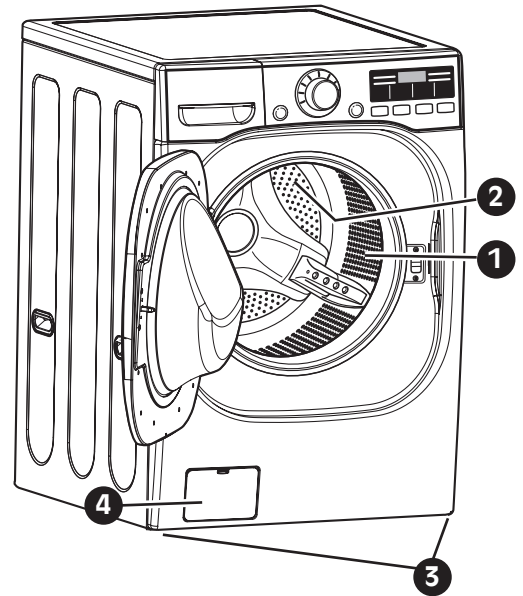
The water circulation nozzles spray the water/detergent solution directly onto garments for super cleaning performance. During LG's unique high-efficiency STEAM cycles, the steam nozzle injects fabrics with hot steam to gently remove tough stains.

### 3 LEVELING FEET

Four leveling feet (two in the front and two in the back) adjust to improve washer stability on uneven floors.

### 4 DRAIN ACCESS PANEL

Provides access to the drain line and drain pump filter.



### Included Accessories



Hot and Cold Water Hoses



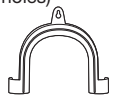
Caps (4)  
(for covering shipping bolt holes)



Wrench  
(for removing shipping bolts and adjusting leveling feet)



Tie Strap  
(for securing drain hose)



Elbow Bracket  
(for securing drain hose)

# INSTALLATION INSTRUCTIONS

## CHOOSE THE PROPER LOCATION

### **⚠ WARNING**

- **Washer is heavy! Two or more people are required when moving and unpacking the washer.** Failure to do so can result in back or other injury.
- **Store and install the washer where it will not be exposed to temperatures below freezing or exposed to outdoor weather conditions.** Failure to follow this warning can cause serious injury, fire, electrical shock, or death.
- **Properly ground washer to conform with all governing codes and ordinances.** Failure to follow this warning can cause serious injury, fire, electrical shock, or death.
- **To reduce the risk of electric shock, do not install the washer in humid spaces.** Failure to follow this warning can cause serious injury, fire, electrical shock, or death.
- The base opening must not be obstructed by carpeting when the washer is installed on a carpeted floor.

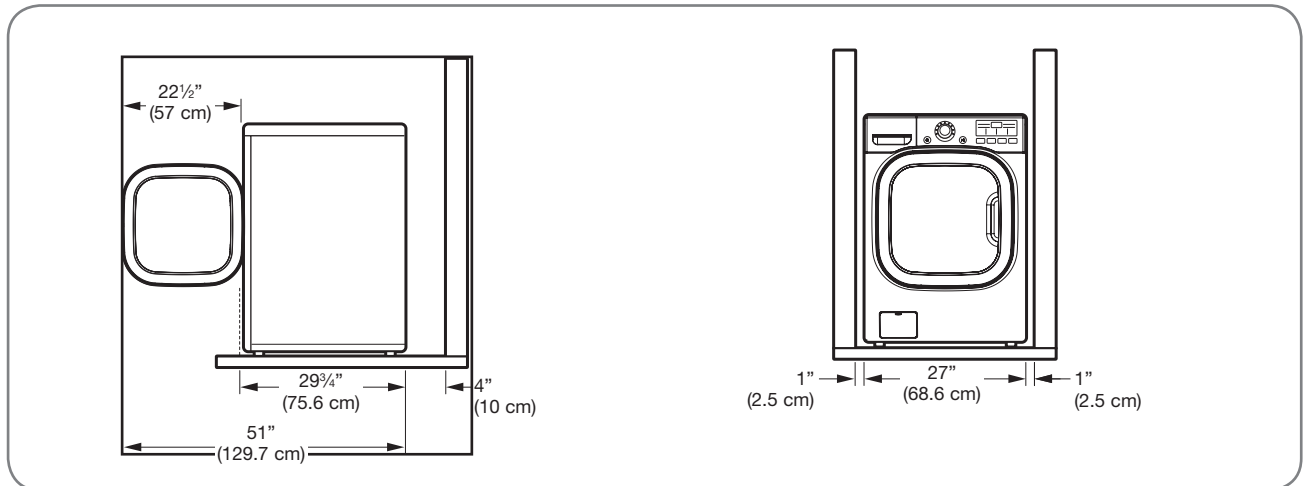
- **Do not remove ground prong. Do not use an adapter or extension cord. Plug into a grounded 3-prong outlet.** Failure to follow this warning can cause serious injury, fire, electrical shock, or death.

### **Power Outlet**

- The power outlet must be within 60 in. (1.5 m) of either side of the washer.
- The appliance and outlet must be positioned so that the plug is easily accessible.
- Do not overload the outlet with more than one appliance.
- The outlet must be grounded in accordance with current wiring codes and regulations.
- Time-delay fuse or circuit breaker is recommended.

**NOTE:** It is the personal responsibility and obligation of the product owner to have a proper outlet installed by a qualified electrician.

## CLEARANCES



To ensure sufficient clearance for water lines and airflow, allow minimum clearances of at least 1 in. (2.5 cm) at the sides and 4 in. (10 cm) behind the unit. Be sure to allow for wall, door, or floor moldings that may increase the required clearances.

Allow at least 24 in. (61.2 cm) in front of the washer to open the door.

# INSTALLATION INSTRUCTIONS

## FLOORING

- To minimize noise and vibration, the washer **MUST** be installed on a solidly constructed floor. See the NOTE at right.
- Allowable slope under the entire washer is 1° maximum.
- Carpeting and soft tile surfaces are not recommended.
- Never install the washer on a platform or weakly supported structure. Use only an approved accessory pedestal as described below.

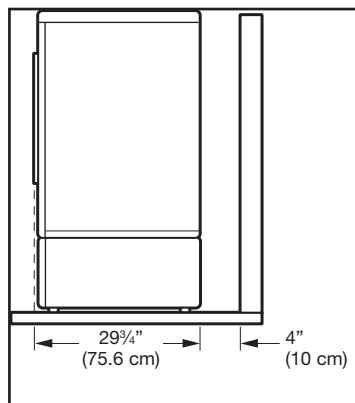
**NOTE:** Please note that the floor must be strong and rigid enough to support the weight of the washer when fully loaded, without flexing or bouncing. If your floor has too much flex in it, you may need to reinforce it to make it more rigid. A floor that is adequate for a top-loading washer may not be rigid enough for a front-loading washer, due to the difference in the spin speed and direction. If the floor is not solid, your washer may vibrate and you may hear and feel the vibration throughout your house.

## INSTALLATIONS WITH OPTIONAL PEDESTAL BASE OR STACKING KIT

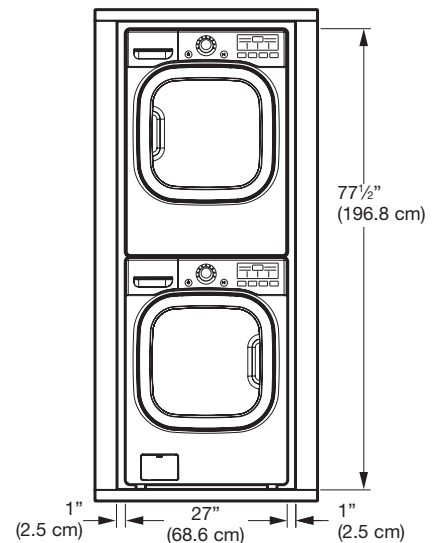
**IMPORTANT:** If you are installing your washer using an optional pedestal base or stacking kit, please refer to *Optional Accessories* in this manual or to the

instructions for your pedestal or stacking kit before proceeding with the installation.

Required Dimensions for Installation  
With Pedestal



Required Dimensions for Installation  
With Stacking Kit



# INSTALLATION INSTRUCTIONS

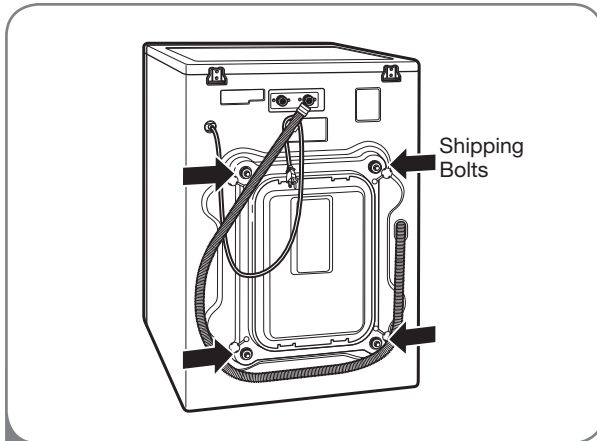
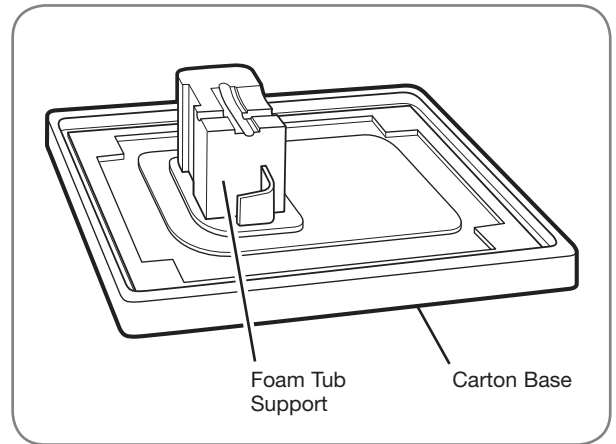
## UNPACKING AND REMOVING SHIPPING BOLTS

When removing the washer from the carton base, be sure to remove the foam tub support in the middle of the carton base.

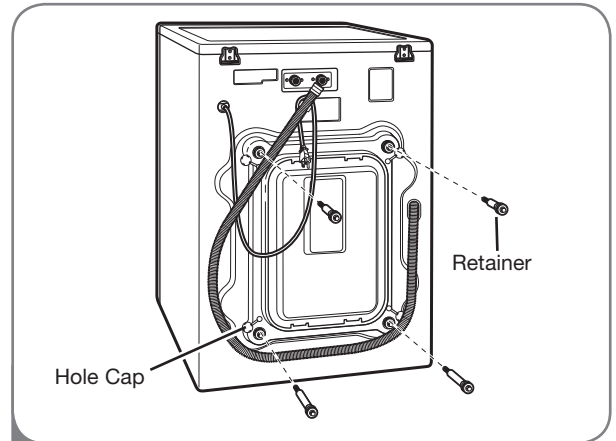
If you must lay the washer down to remove the base packaging materials, always lay it carefully on its side. Do NOT lay the washer on its front or back.

**IMPORTANT:** To prevent internal damage during transport, the washer is equipped with 4 shipping bolts and plastic retainers. These bolts and retainers **MUST** be removed before operating the washer.

- Failure to remove shipping bolts and retainers may cause severe vibration and noise, which can lead to permanent damage to the washer. The cord is secured to the back of the washer with a shipping bolt to help prevent operation with shipping bolts in place.



- 1 Starting with the bottom 2 shipping bolts, use the included wrench to remove the 4 shipping bolts by turning them counterclockwise.



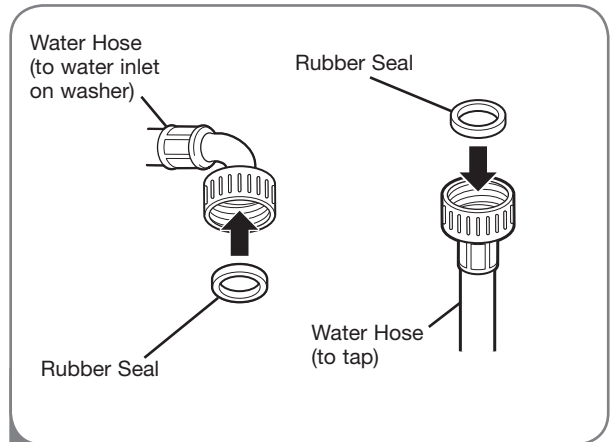
- 2 Remove the retainers by turning them slightly while pulling. Rotate and press the hole caps into the shipping bolt holes.

**NOTE:** Save the bolts and retainers for future use. To prevent damage to internal components, the shipping bolts and retainers must be installed when transporting the washer.

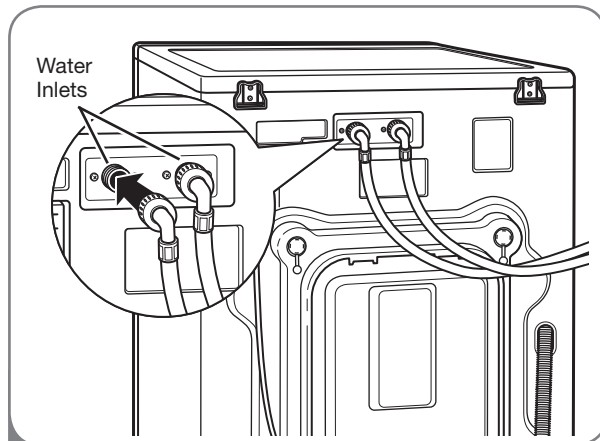
# INSTALLATION INSTRUCTIONS

## CONNECTING THE WATER LINES

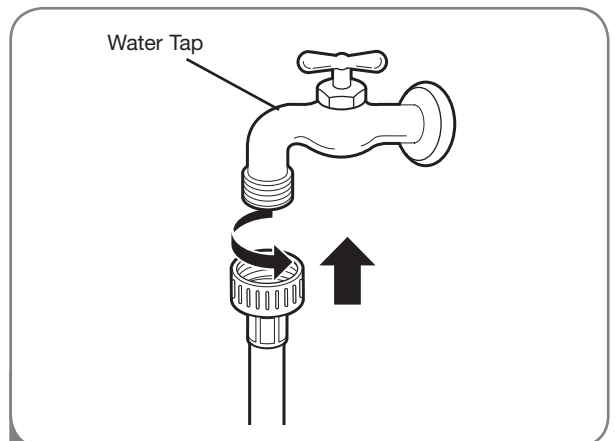
- **IMPORTANT:** Use new hoses when installing the washer. Do NOT reuse old hoses.
- **IMPORTANT:** Use ONLY the inlet hoses provided by LG with this laundry product. Aftermarket hoses are not guaranteed to fit or function correctly. Other hoses may not tighten correctly and could cause leaks. Subsequent damage to product or property will not be covered under the terms of LG's warranty.
- Water supply pressure must be between 14.5 PSI and 116 PSI (100~800 kPa). If the water supply pressure is more than 116 PSI, a pressure reducing valve must be installed.
- Periodically check the hose for cracks, leaks, and wear, and replace the hose if necessary.
- Make sure that the water lines are not stretched, pinched, crushed, or kinked.
- The washer should never be installed or stored in a location subject to freezing temperatures. Damage to the water lines and internal mechanisms of the washer can result. If the washer was exposed to freezing temperatures prior to installation, allow it to stand at room temperature for several hours before use.



- 1 Insert a rubber seal into the threaded fittings on each hose.



- 2 **NOTE:** Do not cross-thread the hose fittings. Attach the hot water line to the red hot water inlet on the back of the washer. Attach the cold water line to the blue cold water inlet on the back of the washer. Tighten the fittings securely.



- 3 Attach the hot water line to the hot water tap. Attach the cold water line to the cold water tap.

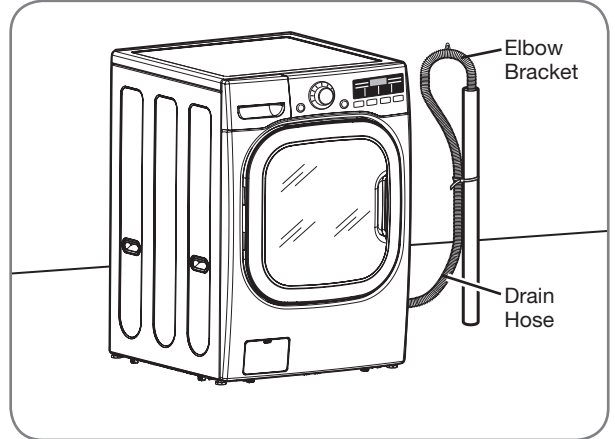
Tighten the fittings securely. Open the water taps fully to check for leaks.

# INSTALLATION INSTRUCTIONS

## CONNECTING THE DRAIN LINE

- The drain hose should always be properly secured. Failure to properly secure the drain hose can result in flooding and property damage.
- Do not install the end of the drain hose higher than 96 in. (244.8 cm) above the bottom of the washer.
- The drain must be installed in accordance with any applicable local codes and regulations.
- Make sure that the water lines are not stretched, pinched, crushed, or kinked.

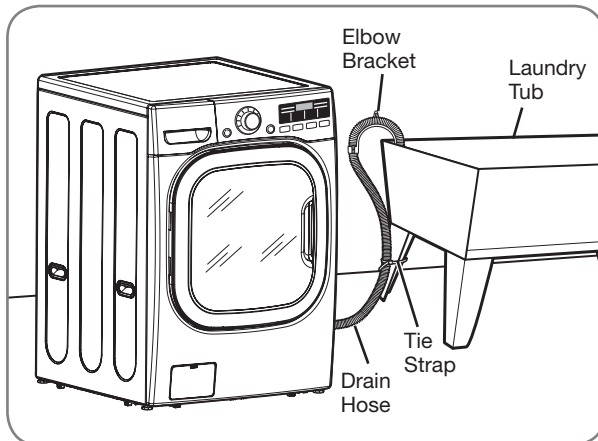
### Option 1: Standpipe



Clip the end of the hose into the elbow bracket. Insert the end of the drain hose into a standpipe. Use tie strap to secure the drain hose in place.

**NOTE:** Total height of the hose end should not exceed 96 in. (244.8 cm) from the bottom of the washer.

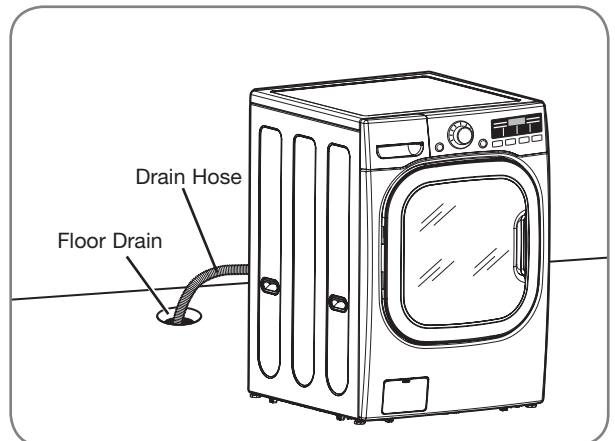
### Option 2: Laundry Tub



Clip the end of the hose into the elbow bracket. Hang the end of the drain hose over the side of the laundry tub. Use tie strap to secure the drain hose in place.

**NOTE:** Total height of the hose end should not exceed 96 in. (244.8 cm) from the bottom of the washer.

### Option 3: Floor Drain



Insert the end of the drain hose into the floor drain. Secure the hose in place to prevent it from moving.

# INSTALLATION INSTRUCTIONS

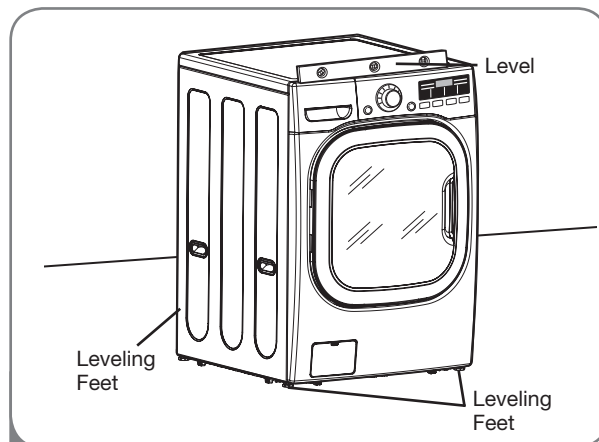
## LEVELING THE WASHER

The drum of your new washer spins at very high speeds, up to 1,300 RPM. To minimize vibration, noise, and unwanted movement, the floor must be a perfectly level, solid surface.

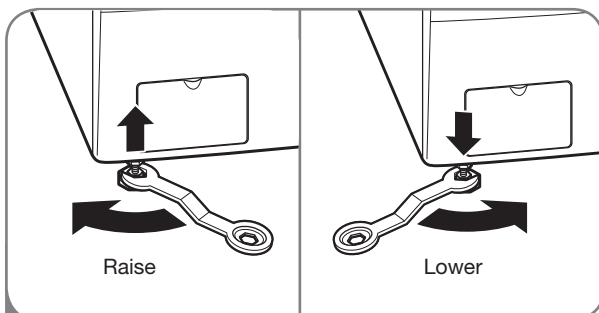
**NOTE:** Adjust the leveling feet only as far as necessary to level the washer. Extending the leveling feet more than necessary can cause the washer to vibrate.

- All four leveling feet must rest solidly on the floor. Rock the washer gently from corner to corner to make sure that the washer does not rock.

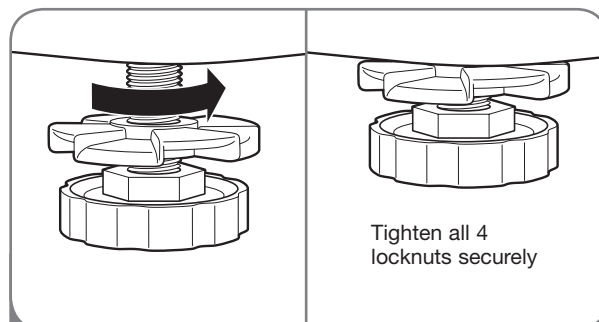
If you are installing the washer on the optional pedestal, you must use the leveling feet on the **pedestal** to level the washer. The washer's leveling feet should be fully retracted and locked into position with the locknuts.



- 1 Position the washer in the final location, taking special care to not pinch, strain, or crush the water and drain lines. Place a level across the top of the washer.



- 2 Loosen the locknuts on all 4 leveling feet until you can turn the feet with the included wrench. Turn clockwise to raise the washer or counterclockwise to lower it.



- 3 Once the washer is level from side to side and front to back, tighten all locknuts securely.

Make sure that all 4 leveling feet are in firm contact with the floor.

**NOTE:** To make sure that the washer is properly level, run the washer with a test load: place approximately 6 pounds of laundry in the machine. Then press POWER, press RINSE+SPIN, and then press the START/PAUSE button. See the following sections for additional information on cycle selection and operation.

Verify that the washer does not rock or vibrate excessively during the spin cycle. If the washer vibrates or shakes, adjust the leveling feet until the washer is stable and retest.

## SORTING WASH LOADS

### Fabric Care Labels

Most articles of clothing feature fabric care labels that include instructions for proper care.

**Fabric Care Labels**

**Machine wash cycle**

Normal Permanent press/wrinkle resistant Gentle/delicate

**Hand wash** **Do not wash** **Do not wring**

**Water temperature**

Hot (50°C/120°F) Warm (40°C/105°F) Cold/cool (30°C/85°F)

**Bleach symbols**

Any bleach (when needed) Only non-chlorine bleach (when needed) Do not bleach

### Grouping Similar Items

For best results, sort clothes into loads that can be washed with the same wash cycle. Different fabrics have different care requirements. Always wash dark colors separately from light colors and whites to prevent discoloration. If possible, do not wash heavily soiled items with lightly soiled ones. The chart below shows recommended groupings.

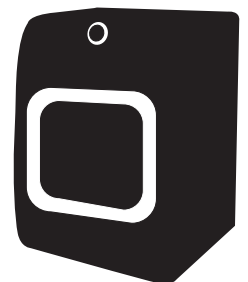
### Sort Laundry...

by Colors	by Soil	by Fabric	by Lint
Whites	Heavy	Delicates	Lint Producer
Lights	Normal	Easy Care	Lint Collector
Darks	Light	Sturdy	

### Loading the Washer

- Check all pockets to make sure that they are empty. Items such as clips, matches, pens, coins, and keys can damage both your washer and your clothes.
- Close zippers, hooks, and drawstrings to prevent these items from snagging or tangling on other clothes.
- Pretreat heavily stained areas for best results.
- Combine large and small items in a load. Load large items first.
- Large items should not be more than half of the total washload.
- The washer can be fully loaded, but the drum should not be tightly packed with items. The door of the washer should close easily.
- To prevent an out-of-balance load, do not wash single items. Add one or two similar items to the load. Large, bulky items, such as a blanket, comforter, or bedspread should be washed individually.
- Do not wash or spin waterproof clothes.
- When unloading the washer, check under the door seal for small items.

**NOTE:** The front loading washer rotates the wet laundry to wash it with less water. If you do not see the water during washing, it is not a problem because the laundry is sufficiently wet.



# HOW TO USE

## SELECTING DETERGENT

**IMPORTANT:** Your Steam Washer™ is designed for use with **only** High-Efficiency (HE) detergents. HE detergents are formulated specifically for front-load washers and contain suds-reducing agents. Always look for the HE symbol when purchasing detergent.

HE detergents produce fewer suds, dissolve more efficiently to improve washing and rinsing performance, and help to keep the interior of your washer clean.

Using a regular detergent may cause oversudsing and unsatisfactory performance.

**IMPORTANT:** Do not place or store laundry products, such as detergent, bleach, or liquid fabric softener, on top of your washer or dryer. Wipe up any spills immediately. These products can damage the finish and controls.



Designed specially to use only HE (High-Efficiency) detergent

## ABOUT THE DISPENSER

The automatic dispenser consists of four compartments which hold:

- Liquid chlorine bleach.
- Liquid fabric softener.
- Liquid or powdered detergent for prewash.
- Liquid or powdered detergent and color-safe bleach for main wash.

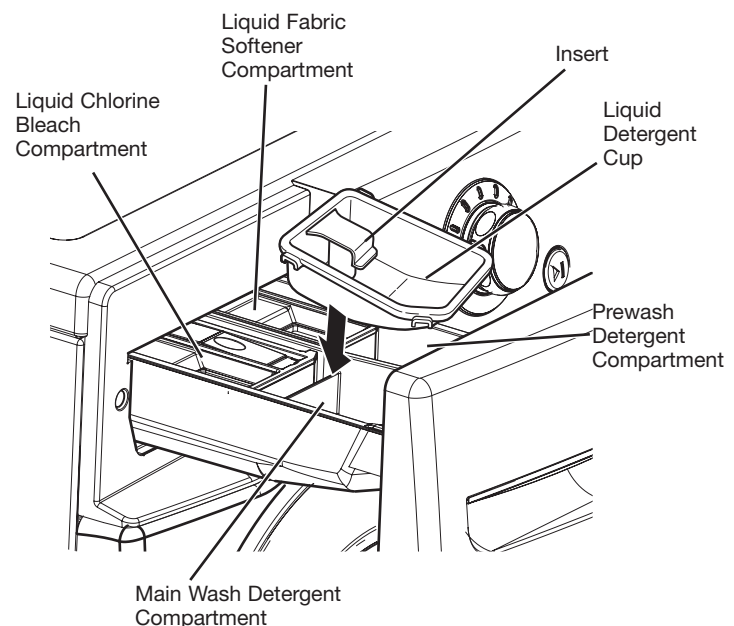
All laundry products can be added at once in their respective dispenser compartments. They will be dispensed at the appropriate time for the most effective cleaning.

After adding the laundry products to the dispenser, close the dispenser drawer.

To add detergent, bleach, and fabric softener to the automatic dispenser:

- 1 Open the dispenser drawer.
- 2 Load the laundry products into the appropriate compartments.
- 3 Slowly close the dispenser drawer to avoid early dispensing of the laundry products.

**NOTE:** It is normal for a small amount of water to remain in the dispenser compartments at the end of the cycle.



## LOADING THE DISPENSER

### *Prewash Detergent Compartment*

Add liquid or powdered detergent to this compartment when using the Prewash option. Always use HE (High-Efficiency) detergent with your washing machine.

- The amount of detergent added for the Prewash option is 1/2 the amount recommended for the main wash cycle. For example, if the main wash cycle requires one measure of detergent, add 1/2 measure for the Prewash option.

**NOTE:** If liquid detergent is to be used for the main wash when using the pre-wash option, the liquid detergent cup accessory **must** be used in main wash dispenser to prevent the main wash liquid detergent from being dispensed immediately.

### *Main Wash Detergent Compartment*

This compartment holds laundry detergent for the main wash cycle, which is added to the load at the beginning of the cycle. Always use HE (High-Efficiency) detergent with your washing machine.

**Never** exceed the manufacturer's recommendations when adding detergent. Using too much detergent can result in detergent buildup in clothing and the washer. Either powdered or liquid detergent may be used.

- When using liquid detergent, make sure the liquid detergent cup and insert are in place. Do not exceed the maximum fill line.
- When using powdered detergent, remove the insert and liquid detergent cup from the compartment. Powdered detergent will not dispense with the liquid detergent cup and insert in place.

**NOTE:** Liquid or powdered color-safe bleach may be added to the main wash compartment with detergent of the same type.

### *Liquid Bleach Compartment*

This compartment holds liquid chlorine bleach, which will be dispensed automatically at the proper time during the wash cycle.

- Do not add powdered or liquid color-safe bleach to this compartment.
- Always follow the manufacturer's recommendations when adding bleach. Do not exceed the maximum fill line. Using too much bleach can damage fabrics.
- Never pour undiluted liquid chlorine bleach directly onto the load or into the drum. Fabric damage can occur.

### *Fabric Softener Compartment*

This compartment holds liquid fabric softener, which will be automatically dispensed during the final rinse cycle.

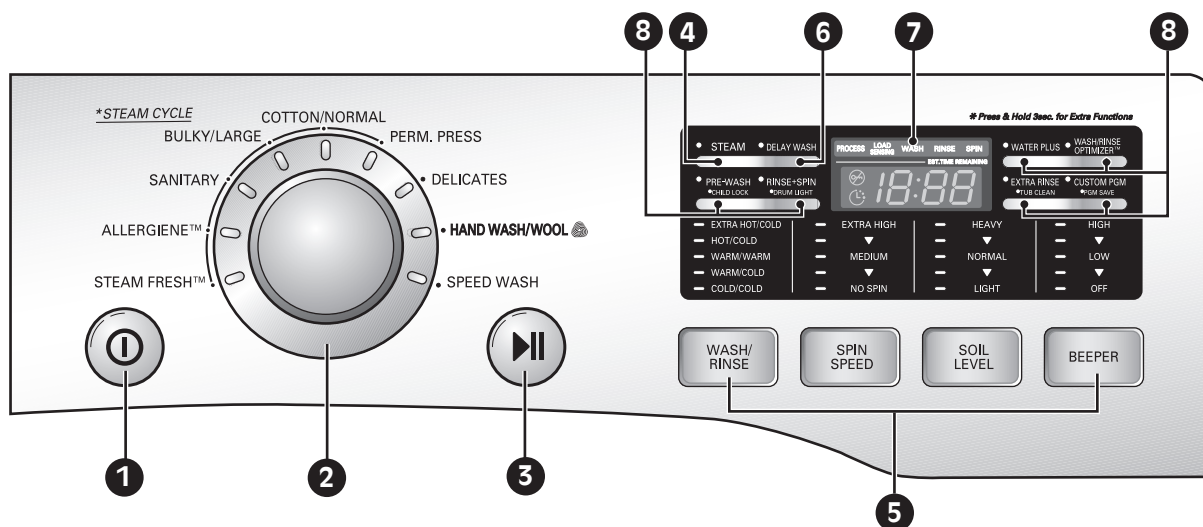
- Always follow the manufacturer's recommendations when adding fabric softener. Do not exceed the maximum fill line. Using too much fabric softener may result in stained clothes.
- Dilute concentrated fabric softeners with warm water. Do not exceed the maximum fill line.
- Never pour fabric softener directly onto the load or into the drum.



Designed specially to use only  
HE (High-Efficiency) detergent

# HOW TO USE

## CONTROL PANEL FEATURES



### 1 POWER ON/OFF BUTTON

Press to turn the washer ON. Press again to turn the washer OFF.

**NOTE:** Pressing the ON/OFF button during a cycle will cancel that cycle and any load settings will be lost.

### 2 CYCLE SELECTOR KNOB

Turn this knob to select the desired cycle. Once the desired cycle has been selected, the standard presets will be shown in the display. These settings can be adjusted using the cycle setting buttons anytime before starting the cycle.

### 3 START/PAUSE BUTTON

Press this button to START the selected cycle. If the washer is running, use this button to PAUSE the cycle without losing the current settings.

**NOTE:** If you do not press the START/PAUSE button within 4 minutes of selecting a cycle, the washer automatically turns off.

### 4 STEAM BUTTON

Press the STEAM button to add steam to the selected cycle for added cleaning power.

**NOTE:** Steam can only be added to the following cycles: STEAMFRESH™, SANITARY, BULKY/LARGE, PERM. PRESS, COTTON/NORMAL, and ALLERGIENE™.

### 5 CYCLE SETTING BUTTONS

Use these buttons to select the desired cycle options for the selected cycle. The current options are shown in the display. Press the button for that option to view and select other settings.

### 6 DELAY BUTTON

Press this button to delay the start of the wash cycle. Each press of the button increases the delay time by one hour, up to 19 hours.

### 7 LED DISPLAY

The display shows the settings, estimated time remaining, option, and status messages for your Steam Washer™. The display will remain on through the cycle.

### 8 SPECIAL FUNCTION BUTTONS


The special function buttons allow you to select additional functions and will light when selected. Certain buttons also allow you to activate secondary functions by pressing and holding the button for 3 seconds.

For detailed information about the individual functions, please see the following pages.

# HOW TO USE

## CYCLE GUIDE

The cycle guide below shows the options and recommended fabric types for each cycle.

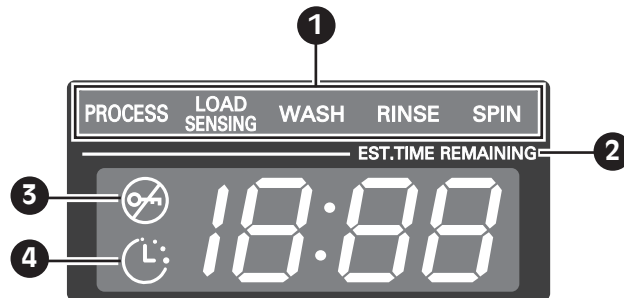
Cycle	Fabric Type	Wash/Rinse Temp.	Spin Speed	Soil Level	Pre-Wash	Rinse + Spin	Extra Rinse	Water Plus	Steam	Wash/Rinse Optimizer™
<b>Steam Fresh™</b>	Dress shirts, blouses								●	
<b>Sanitary</b>	Heavily soiled underwear, work clothes, diapers, etc.	Extra Hot/Cold	High	Normal					●	●
			Extra High No Spin Low Medium	Heavy Light	●	●	●	●	●	●
<b>Bulky/ Large</b>	Large items such as blankets and comforters	Warm/Cold	Low	Normal					●	●
		Warm/Warm Hot/Cold Cold/Cold	Medium No Spin	Heavy Light	●	●	●	●	●	●
<b>Perm. Press</b>	Dress shirts/pants, wrinkle-free clothing, poly/cotton blend clothing, tablecloths	Warm/Cold	Medium	Normal					●	●
		Warm/Warm Hot/Cold Cold/Cold	High No Spin Low	Heavy Light	●	●	●	●	●	●
<b>Cotton/ Normal</b>	Cotton, linen, towels, shirts, sheets, jeans, mixed loads	Warm/Cold	High	Normal					●	●
		Warm/Warm Hot/Cold Cold/Cold	Extra High No Spin Low Medium	Heavy Light	●	●	●	●	●	●
<b>Allergiene™</b>	Cotton, underwear, pillow covers, bed sheets, baby wear		High						●	●
			Extra High No Spin Low Medium		●	●	●	●	●	●
<b>Delicates</b>	Dress shirts/blouses, nylons, sheer or lacy garments	Cold/Cold	Medium	Normal					●	●
		Warm/Cold Warm/Warm	No Spin Low	Heavy Light	●	●	●	●	●	●
<b>Hand Wash/ Wool</b> 	Items labeled "hand-washable"	Warm/Cold	Low	Normal					●	●
		Cold/Cold Warm/Warm	No Spin	Light		●	●	●	●	●
<b>Speed Wash</b>	Lightly soiled clothing and small loads	Hot/Cold	Extra High	Light					●	●
		Cold/Cold Warm/Cold Warm/Warm	No Spin Low Medium High	Normal Heavy		●	●	●	●	●

**NOTE:** To protect your garments, not every wash/rinse temperature, spin speed, soil level, or option is available with every cycle.

# HOW TO USE

## THE LED DISPLAY

The LED display shows the settings, estimated time remaining, options, and status messages for your washer. When the washer is turned on, the display will illuminate.



### 1 CYCLE COMPLETION INDICATOR

This portion of the display shows which stage of the wash cycle is currently underway (LOAD SENSING, WASH, RINSE or SPIN).

At the beginning of the cycle, the washer tumbles the load and detects the weight of the clothes. The display will indicate the approximate load size as the number 1 to 4 for 5 seconds. (This allows COTTON/NORMAL, ALLERGIENE™, SANITARY course). This allows you to adjust the amount of detergent and other additives for best results and improved efficiency.

### 2 ESTIMATED TIME REMAINING

When the START/PAUSE button is pressed, the washer automatically detects the wash load (weight) and optimizes the washing time, based on the selected cycle and options. The display will then indicate the estimated time remaining for the selected wash cycle.

**NOTE:** The cycle time displayed may appear much longer than that of a top-loading washer. The displayed time is for the complete cycle, rather than just the agitation portion of the cycle, as is typically shown on a top-loading washer.

### 3 DOOR LOCK INDICATOR

Indicates that the door is locked. The washer door will lock while the washer is operating. The door can be unlocked by pressing the START/PAUSE button to stop the washer.

**NOTE:** If the temperature in the washer is too high, the door cannot be unlocked until the washer has cooled. If the water level is too high, select the DRAIN & SPIN cycle to drain excess water. Do not try to force open the door.

### 4 DELAY WASH INDICATOR

This indicator shows that the washer has been set for DELAY WASH. The washer will start automatically after the set delay time has passed.

## OPERATING THE WASHER

Once you have loaded the washer and added laundry products (detergent, bleach, and/or fabric softener):

- 1 Press the ON/OFF button to turn on the washer. The lights around the cycle selector knob will illuminate.



- 2 Turn the cycle selector knob to the desired cycle. The display will show the preset Rinse/Wash Temperature, Spin Speed, Soil Level, and Option settings for that cycle.



- 3 If you would like to change the settings for that cycle, press the option button(s) to display additional settings for that option. Press the button again to cycle through the settings until the desired setting is shown.



**NOTE:** To protect your garments, not every wash/rinse temperature, spin speed, soil level, or option is available with every cycle.

- 4 Select any additional cycle options, such as STEAM or DELAY WASH by pressing the button for that option, or by pressing the OPTION button for additional options.



**NOTE:** To protect your garments, not every wash/rinse temperature, spin speed, soil level, or option is available with every cycle.

- 5 Press the START/PAUSE button to begin the cycle. The door will latch, the display will change, and the washer will calculate the estimated time remaining. Once the washer has calculated the estimated total cycle time, the washer will start. To pause the cycle at any time, press PAUSE.



**NOTE:** The cycle time displayed may appear much longer than that of a top-loading washer. The displayed time is for the complete cycle, rather than just the agitation portion of the cycle, as is typically shown on a top-loading washer.

**NOTE:** If the temperature in the washer is too high, the door cannot be unlocked until the washer has cooled. If the water level is too high, select the DRAIN & SPIN cycle to drain excess water. Do not try to force the door open.

Washing time can be reduced significantly for small or lightly soiled loads by selecting the Speed Wash cycle and setting the Soil Level button to Light.

- 6 When the load is finished, the beeper (if set) will sound and the door will unlock. Remove damp clothes from the washer immediately. Check under the door seal for small items.

# HOW TO USE

## STEAM CYCLES



STEAM cycles include the Sanitary, Bulky/Large, Perm. Press, Cotton/Normal, and ALLERGIENE™ cycles. Adding the Steam option to these cycles provides superior cleaning performance while reducing energy and water consumption.

By using a hot steam spray from above and cooler water below, fabrics get the cleaning benefits of a super hot wash, without the energy usage or potential damage to fabrics.

### To Add STEAM to a Standard Cycle:

- 1 Turn on the washer and turn the cycle selector knob to select a cycle with the STEAM option.
- 2 Press the STEAM button. The washer will automatically adjust the cycle settings.
- 3 Set any other desired options.
- 4 Press the START/PAUSE button to start the cycle. The washer will start automatically.

### CAUTION:

**Do not touch the door during steam cycles. The door surface can become very hot. Allow the door lock to release before opening the door.**

**Do not attempt to override the door lock mechanism or reach into the washer during a steam cycle. Steam can cause severe burns.**

### IMPORTANT NOTES ABOUT STEAM CYCLES:

- Steam may not be clearly visible during the steam cycles. This is normal. Too much steam could damage clothing.
- Do not use steam with delicate fabrics such as wool, silk, or easily discolored fabrics.
- Do not touch the door.

### Using the SteamFresh™ Cycle

SteamFresh™ uses the power of steam alone to quickly reduce wrinkles and odor in fabrics. It brings new life to wrinkled clothes that have been stored for an extended time and makes heavily wrinkled clothes easier to iron. SteamFresh™ can also be used to help reduce odors in fabrics.

### To Use the SteamFresh™ Cycle:

- 1 Turn on the washer and turn the cycle selector knob to select the SteamFresh™ cycle.
- 2

Load up to 5 items and close the door.

**NOTE:** If there is any moisture inside the drum, such as from a previous wash cycle, wipe the drum dry with a towel before adding clothes.

- 3 Press the STEAM button until the correct number of items is shown in the display.
  - 4 No other options need to be set.
- 3 Press the STEAM button until the correct number of items is shown in the display.
  - 4 Press the START/PAUSE button to start the cycle.

After the SteamFresh™ cycle is complete, the washer will tumble the clothes for up to 30 minutes to prevent wrinkling.

After removing clothes from the SteamFresh™ cycle, they may feel slightly damp. Place clothes on a hanger for at least 10 minutes to allow them to dry.

- The SteamFresh™ cycle is not recommended for use with 100% cotton clothing.
- Remove stains from clothing before using the SteamFresh™ cycle; the high heat could cause stains to set permanently.
- Do not use SteamFresh™ with the following items: wool, blankets, leather jackets, silk, wet clothes, lingerie, foam products, or electric blankets.
- Best results are achieved when articles are of similar size and fabric type. Do not overload.

## CYCLE SETTING BUTTONS

Each cycle has preset settings that are selected automatically. You may also customize the settings using the cycle setting buttons. Press the button for that option to view and select other settings.

The washer automatically adjusts the water level for the type and size of wash load for best results and maximum efficiency. It may seem there is no water inside the drum in some cycles, but this is normal.

**NOTE:** To protect your garments, not every wash/rinse temperature, spin speed, soil level, or option is available with every cycle. See the Cycle Guide for details.

### WASH/RINSE



Selects the wash and rinse temperature combination for the selected cycle. Press the WASH/RINSE button repeatedly to scroll through available settings.

- Your washer features a heating element to boost the hot water temperature for Extra Hot settings. This provides improved wash performance at normal water heater settings.
- Select the water temperature suitable for the type of load you are washing. Follow the fabric care label for best results.
- Warm rinses leave the loads drier than cold rinses. Warm rinses can increase wrinkling.
- In cold climates, a warm rinse makes the load more comfortable to handle.
- Cold rinses use less energy.

### SOIL LEVEL



Adjusts the selected cycle to allow more time for heavily soiled clothes or less time for lightly soiled clothes.

### SPIN SPEED



The washer drum spins at up to 1,300 RPM. This reduces drying time and saves energy.

Press the SPIN SPEED button to select the maximum spin speed. Some fabrics, such as delicates, require a slower spin speed.

#### The Drain & Spin cycle:

The Spin Speed button also activates the Drain & Spin cycle to drain the tub and spin clothes; for example, if you want to remove clothes before the cycle has ended.

To activate the **DRAIN & SPIN** cycle:

- 1 Press the ON/OFF button to turn on the washer.
- 2 Press the SPIN SPEED button.
- 3 Select the desired spin speed.  
**NOTE:** If NO SPIN is selected, the washer will drain only.
- 4 Press the START/PAUSE button.

### BEEPER



Adjusts the volume of the end-of-cycle beeper, or turns it off.



# HOW TO USE

## SPECIAL FUNCTION BUTTONS


Your Steam Washer™ features several additional cycle options to customize cycles to meet your individual needs. Certain option buttons also feature a special function (see the following page for details) that can be activated by pressing and holding that option button for 3 seconds.

### To Add Cycle Options to a Cycle:

- 1 Turn on the washer and turn the cycle selector knob to select the desired cycle.
- 2 Use the cycle setting buttons to adjust the settings for that cycle.
- 3 Press the cycle option button(s) for the option you would like to add. The cycle option buttons will light when selected.
- 4 Press the START/PAUSE button to start the cycle. The washer will start automatically.


**NOTE:** To protect your garments, not every wash/rinse temperature, spin speed, soil level, or option is available with every cycle. See the Cycle Guide for details.

### STEAM


 Use the STEAM button to add steam to the cycle for extra cleaning power and improved efficiency. See *Steam Cycles* section for additional details.

**NOTE:** Not all cycles can be used with the STEAM option.


### DELAY WASH

 Once you have selected the cycle and other settings, press this button to delay the start of the wash cycle. Each press of the button increases the delay time by one hour, up to 19 hours.

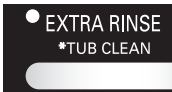
### CUSTOM PGM

 Use the CUSTOM PGM button to select the course that you have saved by "PGM SAVE".


### WATER PLUS

 Select this option to add extra water to the wash and rinse cycles for superior results, especially with large or bulky items.

### EXTRA RINSE

 This option will add an extra rinse cycle to the selected cycle. Use this option to help ensure the removal of detergent or bleach residue from fabrics.


### RINSE+SPIN

 Select this option to rinse and spin a load separately from a regular cycle. This can be helpful in preventing fresh stains from setting in fabrics.

#### To activate the Rinse+Spin cycle:


- 1 Press the ON/OFF button to turn on the washer.
- 2 Press the RINSE+SPIN button.
- 3 Press the START/PAUSE button.

### WASH/RINSE OPTIMIZER™

 This function can adjust washing & rinsing time efficiently with checking the level of detergent and degree of hardness.

- 1 Excessive detergent amount: rinsing cycle increase.
- 2 Insufficient detergent amount: washing time increase.
- 3 A small amount of remaining detergent detected, additional rinsing will be added.

### PRE-WASH

 Adds 16 minutes prewash and a spin cycle.

## CUSTOM PROGRAM



CUSTOM PROGRAM allows you to store a customized wash cycle for future use. It allows you to save favorite temperature, spin speed, soil level, and other options for a cycle, and then recall them at the touch of a button.

### To store a Custom Program:

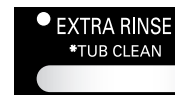
- 1 Select a cycle.
- 2 Adjust the Wash/Rinse Temperature, Spin Speed, and Soil Level to the desired settings.
- 3 Set any other desired options.
- 4 Press and hold the CUSTOM PROGRAM button for 3 seconds. You will hear two beeps to confirm the settings have been stored.

**IMPORTANT:** If you press and hold the CUSTOM PROGRAM button for 3 seconds, you will overwrite any previously stored CUSTOM PROGRAM.

### To recall a Custom Program:

- 1 Press and release the CUSTOM PROGRAM button. The stored settings will be displayed.
- 2 Press and release the START/PAUSE button to start the cycle. The washer will start automatically.

## TUB CLEAN



A buildup of detergent residue can occur in the wash tub over time and can lead to a mildewy or musty smell. The TUB CLEAN cycle is specially designed to remove this buildup. The display will show a message to add liquid bleach to the dispenser. Prewash option will be selected. After the cycle has ended, open the door and allow the drum interior to dry completely.

Refer to Care and Cleaning of the Interior for further information.

**NOTE:** Do NOT use this cycle with clothes, and do NOT add detergent or fabric softener.

**NOTE:** If you use the TUB CLEAN cycle on a monthly basis, the wash drum will be kept clean.

## SECONDARY FUNCTIONS

The special function buttons also activate secondary functions, including CHILD LOCK, DRUM LIGHT, and LANGUAGE. Press and hold the button marked with the secondary function for 3 seconds to activate.

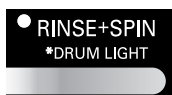
### CHILD LOCK



Use this option to prevent unwanted use of the washer or to keep cycle settings from being changed while the washer is operating. Press and hold the PRE WASH button for 3 seconds to activate or deactivate CHILD LOCK.

CHILD LOCK will be shown in the display, and all controls are disabled. The washer can be locked during a cycle.

### DRUM LIGHT



The drum is equipped with a blue LED light that illuminates when the washer is turned on. This light automatically turns off when the door is closed and the cycle starts. To turn on the light during a cycle, press and hold the TUB CLEAN button for 3 seconds. The drum light will illuminate and then turn off automatically after 4 minutes.

# HOW TO USE

## SPECIAL CARE CYCLES

### **ALLERGIENE™**

The ALLERGIENE™ cycle is a powerful, high temperature cycle designed specifically to reduce certain allergens.

- Selecting the ALLERGIENE™ cycle automatically incorporates steam into the wash cycle.
- The ALLERGIENE™ cycle can significantly reduce allergens in bedding and clothing.
- The ALLERGIENE™ cycle helps reduce dust mite populations and helps reduce allergens.
- Due to the higher energy and temperatures used, the ALLERGIENE™ cycle is not recommended for wool, silk, leather, or any other delicate or temperature sensitive items.

### **HAND WASH/WOOL**

- Only woolen items that are designated as "Machine-Washable" should be washed in this washing machine
- Wash only small loads for optimum fabric care (less than 8 lbs.)
- Only neutral (wool safe) detergents should be used (Only a small quantity of detergent is needed due to the small load size and low volume of water in the cycle.)
- The HANDWASH/WOOL cycle uses a gentle tumble action and low speed spin for ultimate fabric care



The wool wash cycle of this machine has been approved by Woolmark for the washing of machine washable Woolmark products provided that the products are washed according to the instructions on the garment label and those issued by the manufacturer of this washing machine, M0807



Certified by NSF  
Certificado por NSF

NSF International (formerly the National Sanitation Foundation), certifies that **SANITARY** cycle reduces 99.9% of bacteria on laundry, and none of bacteria will carry over onto the next laundry load.

## REGULAR CLEANING

### **⚠️ WARNING:**

- **Unplug the washer before cleaning to avoid the risk of electric shock.** Failure to follow this warning can cause serious injury, fire, electrical shock, or death.
- **Never use harsh chemicals, abrasive cleaners, or solvents to clean the washer.** They will damage the finish.

### ***Cleaning the Exterior***

Proper care of your washer can extend its life. The outside of the machine can be cleaned with warm water and a mild, nonabrasive household detergent.

Immediately wipe off any spills with a soft, damp cloth.

**IMPORTANT:** Do not use methylated spirits, solvents, or similar products.

Never use steel wool or abrasive cleansers; they can damage the surface.

### ***Care and Cleaning of the Interior***

Use a towel or soft cloth to wipe around the washer door opening, door seal, and door glass. These areas should be kept clean to ensure a watertight seal. Be sure to wipe under the inside rubber seal to remove any moisture or soil.

Always remove items from the washer as soon as the cycle is completed. Leaving damp items in the washer can cause wrinkling, color transfer, and odor.

Run the TUB CLEAN cycle regularly to remove detergent buildup and other residue.

This washer has a special cycle, TUB CLEAN, to remove inside buildup of detergent residue which can occur in the wash tub or drum and lead to mildew or musty smell.

**Read these instructions carefully before beginning the TUB CLEAN cycle.**

**1** Open the door and remove any clothing in the wash drum.

**2** Open the dispenser drawer.

**3** Add liquid chlorine bleach or tub cleaner.

Some powder or tablet tub cleaners which are manufactured for this purpose can be used.

(NOTE : Do not add any laundry detergent or fabric softener to the drawer when using TUB CLEAN.)

#### **- If using liquid chlorine bleach**

Add liquid chlorine bleach to the bleach compartment of the drawer.

(NOTE : Do not exceed the maximum fill line and do not pour undiluted liquid bleach directly into the wash drum.)

#### **- If using powder cleaner**

Remove the liquid detergent cup and add powder cleaner to the main wash compartment of the drawer.

#### **- If using tablet cleaner**

Add tablet cleaner to the wash drum directly.

(NOTE : Do not add tablet cleaner to the drawer.)

**4** Close the drawer and washer door.

**5** Select TUB CLEAN and press START.

**NOTE :** It is recommended that TUB CLEAN should be repeated monthly.

If mildew or musty smell already exists, run TUB CLEAN for 3 consecutive weeks.

After TUB CLEAN is complete or when the washer is not used, leave the washer door open for better ventilation and drying inside of the washer.

# CARE AND CLEANING

## REGULAR CLEANING (cont.)

### *Cleaning the Steam and Water Circulation Nozzles*

Use a cotton swab to remove lime or detergent buildup from the inside of the steam and water circulation nozzles. **NEVER** use a sharp or pointed object; you could damage the nozzles.

### *Removing the Stain in Door Seal*

**NOTE:** Wear rubber gloves and eye protection while performing the following procedure:

- 1 Dilute 3/4 cup (177 ml) liquid chlorine bleach with 1 gallon (3.8 L) of warm/hot water.
- 2 Use this solution to wipe down all surfaces of the gasket to remove the deposits that are causing any odor. (Be sure to fold back the lip of the gasket to get under the edge where residue can build up.)
- 3 Wipe the gasket with a dry cloth.
- 4 Leave the door open to allow the gasket to dry completely.

Do not use undiluted bleach as this will damage the gasket. Follow the manufacturer's instructions for proper use of bleach. If the gasket cannot be cleaned properly, it should be replaced.

### *Storing the Washer*

If the washer will not be used for an extended period of time and is in an area that could be exposed to freezing temperatures:

- 1 Turn off water supply tap.
- 2 Disconnect hoses from water supply and drain water from hoses.
- 3 Plug the power cord into a properly grounded electrical outlet.
- 4 Add 1 gallon of nontoxic recreational vehicle (RV) antifreeze to the empty wash drum. Close door.
- 5 Select the spin cycle and let washer spin for 1 minute to drain out all the water.  
**NOTE:** Not all of the RV antifreeze will be expelled.
- 6 Unplug the power cord, dry the drum interior with a soft cloth, and close the door.
- 7 Remove the inserts from the dispenser. Drain any water in compartments and dry the compartments.
- 8 Store the washer in an upright position.
- 9 To remove the antifreeze from the washer after storage, run washer through a complete cycle using detergent. **Do not add laundry!**

### *Removing Lime Buildup*

If you live in an area with hard water, lime scale can form on internal components of the washer. Use of a water softener is recommended in areas with hard water. If a descaler is used, make sure that it is suitable for use in a washer, and run the TUB CLEAN cycle before washing clothing.

Lime scale and other spots may be removed from the stainless steel drum using a stainless steel cleaner. Do NOT use steel wool or abrasive cleansers; they can damage the surface.

### *Notice of tub clean activation*

To clean up the tub, please select the tub clean course. Please empty the tub and insert bleach into the detergent dispenser and push the tub clean button.

### *Door open recommended*

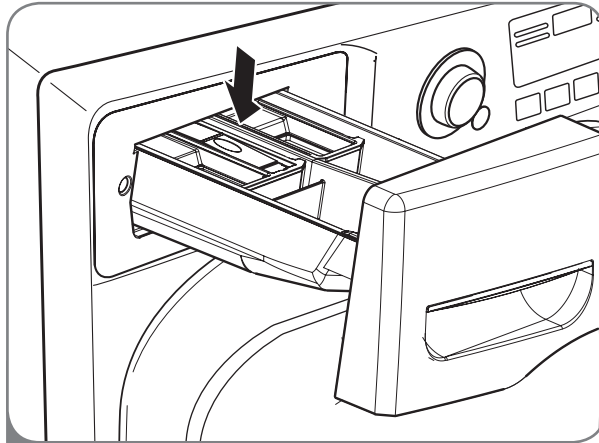
It is recommended that you should leave the door open after getting finished with laundry to keep the tub clean.

# CARE AND CLEANING

## CLEANING THE WASHER

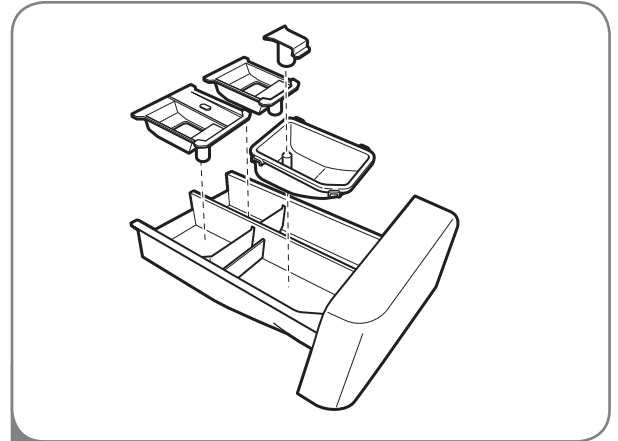
### *Cleaning the Dispenser*

The dispenser should be cleaned periodically to remove buildup from detergent and other laundry products.



- 1 Pull out the dispenser drawer until it stops. Press the button in the center of the drawer and pull to remove the drawer.

**NOTE:** If you clean the detergent dispenser once a week, it will always dispense properly.



- 2 Remove the inserts from the drawer, and clean them with warm water and a soft cloth or brush to remove any residue or buildup.

Wipe out the inside of the drawer opening with a damp cloth. Reassemble the drawer and reinstall in the drawer opening.

**NOTE:** Do not use anything other than water to clean the drawer, inserts, and drawer opening. If any sort of household cleaner drains into the interior of the washer, run a RINSE+SPIN cycle before washing clothes.

# CARE AND CLEANING

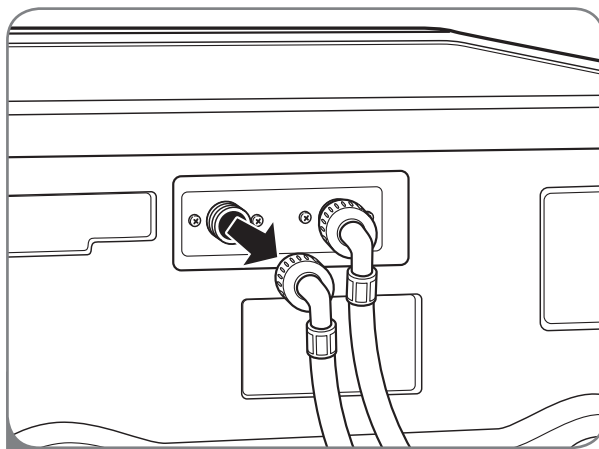
## MAINTENANCE

### *Cleaning the Water Inlet Filters*

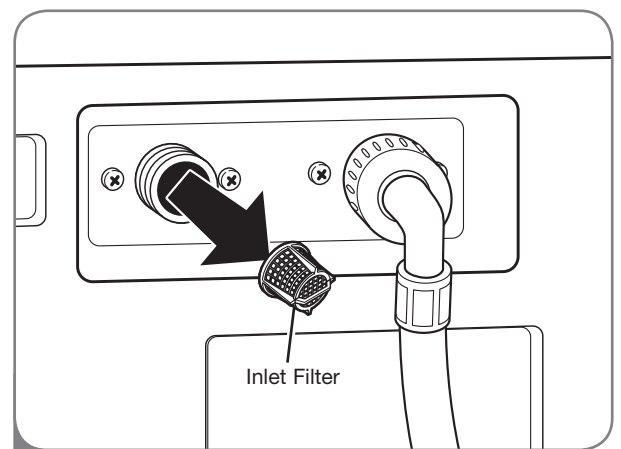
If the washer detects that water is not entering the dispenser, an error message will show on the display. If you live in an area with hard water, this may be caused by clogged inlet filters.

**IMPORTANT:** Use extreme care when removing and cleaning the filters. If the filters cannot be cleaned or are damaged, do NOT operate the washer without the inlet filters. Contact LG Customer Service or a qualified LG servicer.

**IMPORTANT:** Use ONLY the inlet hoses provided by LG with this laundry product. Aftermarket hoses are not guaranteed to fit or function correctly. Other hoses may not tighten correctly and could cause leaks. Subsequent damage to product or property will not be covered under the terms of LG's warranty.



- 1 Turn off both water taps completely. Unscrew the hot and cold water lines from the back of the washer.

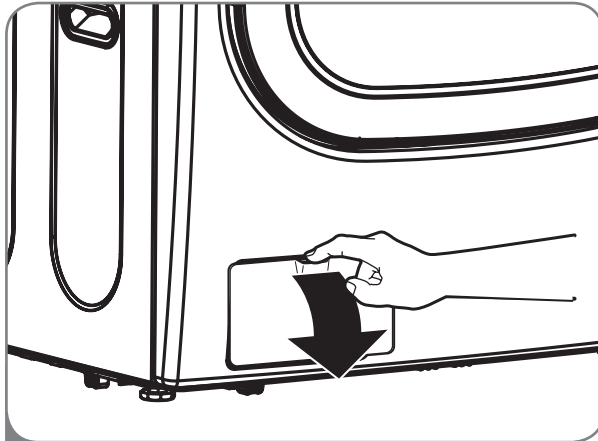


- 2 Carefully remove the filters from the water inlets, and soak them in white vinegar or a lime scale remover, following the manufacturer's instructions. Rinse thoroughly before reinstalling.  
Press the filters back into place and reattach the water lines. Do NOT operate the washer without the inlet filters.

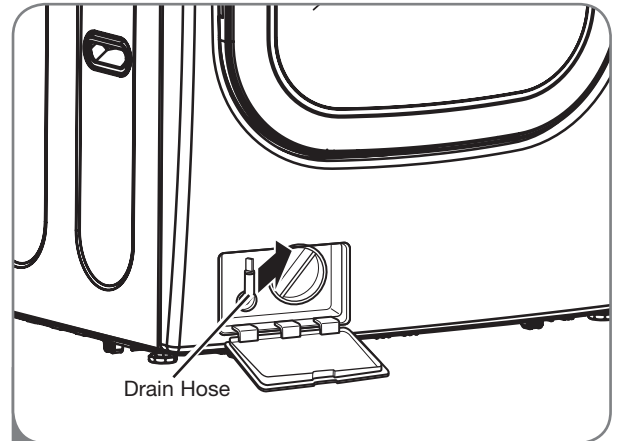
## MAINTENANCE (cont.)

### *Cleaning the Drain Pump Filter*

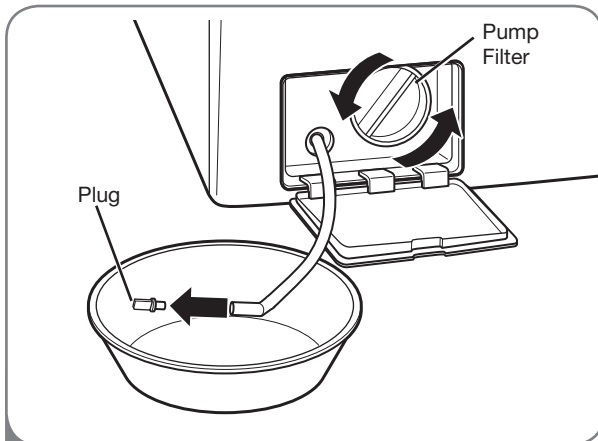
Lint and other objects may accumulate and clog the drain pump filter. If the washer fails to drain properly, unplug the washer and allow the water to cool, if necessary, before proceeding.



1 Open the drain pump filter access panel.



2 Unclip the drain hose and pull it out. Place the end of the drain hose in a pan, bucket, or floor drain to catch water.



3 Remove the plug from the drain hose, and allow the water to drain completely.

Twist the pump filter counterclockwise to remove. Remove any lint and foreign objects from the pump filter.

Reverse the above steps to reinstall the drain pump filter and drain hose. Be sure to close the cover panel when finished.

# TROUBLESHOOTING

## NORMAL SOUNDS YOU MAY HEAR

The following sounds may be heard while the washer is operating. They are normal.

**Clicking:**

Door lock relay when the door locks and unlocks.

**Spraying or hissing:**

Steam or water spraying or circulating during the cycle.

**Humming or gurgling:**


Drain pump pumping water from the washer at the end of a cycle.

**Splashing:**

Clothes tumbling in the drum during the wash and rinse cycles.




## BEFORE CALLING FOR SERVICE

Your Steam Washer™ is equipped with an automatic error-monitoring system to detect and diagnose problems at an early stage. If your washer does not function properly or does not function at all, check the following before you call for service.

Problem	Possible Causes	Solutions
<b>Rattling and clanking noise</b>	<ul style="list-style-type: none"> <li>Foreign objects, such as keys, coins, or safety pins, may be in drum or pump.</li> </ul>	<ul style="list-style-type: none"> <li>Stop washer and check drum and drain filter for foreign objects. If noise continues after washer is restarted, call for service.</li> </ul>
<b>Thumping sound</b>	<ul style="list-style-type: none"> <li>Heavy wash loads may produce a thumping sound.</li> <li>Washer load may be out of balance.</li> </ul>	<ul style="list-style-type: none"> <li>This is normal. If sound continues, washer is probably out of balance. Stop and redistribute wash load.</li> <li>Stop and redistribute wash load.</li> </ul>
<b>Vibrating noise</b>	<ul style="list-style-type: none"> <li>Shipping bolts and/or packaging materials not removed.</li> <li>Wash load may be unevenly distributed in the drum.</li> <li>Not all leveling feet are resting firmly on the floor.</li> <li>Floor not rigid enough.</li> </ul>	<ul style="list-style-type: none"> <li>See Installation Instructions for removing shipping bolts and packaging.</li> <li>Stop washer and rearrange wash load.</li> <li>Adjust the leveling feet. Make sure all four feet are in firm contact with the floor while the washer is in the spin cycle with a load.</li> <li>Make sure that the floor is solid and does not flex. Refer to “Flooring” in the <i>Installation</i> section.</li> </ul>
<b>Water leaking around washer</b>	<ul style="list-style-type: none"> <li>Fill hose connection is loose at tap or washer.</li> <li>House drain pipes are clogged.</li> </ul>	<ul style="list-style-type: none"> <li>Check hoses. Check and tighten hose connections.</li> <li>Unclog drain pipe. Contact a plumber if necessary.</li> </ul>
<b>Excessive sudsing</b>	<ul style="list-style-type: none"> <li>Too much detergent or incorrect detergent.</li> </ul>	<ul style="list-style-type: none"> <li>Reduce detergent amount or use low-sudsing detergent.</li> <li> Only use detergent with the HE (High-Efficiency) logo.</li> </ul>
<b>Staining</b>	<ul style="list-style-type: none"> <li>Laundry products added directly to the washer drum.</li> <li>Washer not unloaded promptly.</li> <li>Clothes not sorted properly.</li> </ul>	<ul style="list-style-type: none"> <li>Load the laundry products into the dispenser.</li> <li>Always remove items from the washer as soon as the cycle is completed.</li> <li>Always wash dark colors separately from light colors and whites to prevent discoloration. If possible, do not wash heavily soiled items with lightly soiled ones.</li> </ul>


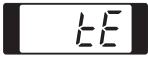
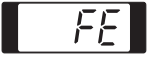

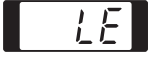

# TROUBLESHOOTING

## BEFORE CALLING FOR SERVICE (cont.)

Problem	Possible Causes	Solutions
<p><b>Water in the washer drains slowly or not at all, or the display shows:</b></p> 	<ul style="list-style-type: none"> <li>• Drain hose is bent, pinched, or clogged.</li> <li>• The drain filter is clogged.</li> </ul>	<ul style="list-style-type: none"> <li>• Make sure the drain hose is free of clogs, kinks, etc., and is not pinched behind or under the washer.</li> <li>• Clean the drain filter. See the <i>Care and Cleaning</i> section.</li> </ul>
<p><b>Washer fills with water slowly or not at all, or the display shows:</b></p> 	<ul style="list-style-type: none"> <li>• Water supply taps are not open fully.</li> <li>• Water line hoses are kinked, pinched, or bent.</li> <li>• Water inlet filters are clogged.</li> <li>• Water pressure to tap or house is too low.</li> </ul>	<ul style="list-style-type: none"> <li>• Make sure that the water taps are open fully.</li> <li>• Make sure the hoses are not kinked or pinched. Be careful when moving the washer.</li> <li>• Clean the inlet filters. See the <i>Care and Cleaning</i> section.</li> <li>• Check another faucet in the house to make sure that household water pressure is adequate.</li> </ul>
<p><b>Washer will not turn on</b></p>	<ul style="list-style-type: none"> <li>• Power cord is not properly plugged in.</li> <li>• House fuse is blown, circuit breaker has tripped, or power outage has occurred.</li> </ul>	<ul style="list-style-type: none"> <li>• Make sure that the plug is plugged securely into a grounded, 3-prong, 120-VAC, 60-Hz. outlet.</li> <li>• Reset circuit breaker or replace fuse. Do not increase fuse capacity. If the problem is a circuit overload, have it corrected by a qualified electrician.</li> </ul>
<p><b>Washer won't spin, or the display shows:</b></p> 	<ul style="list-style-type: none"> <li>• The door is not closed properly.</li> </ul>	<ul style="list-style-type: none"> <li>• Make sure that the door is closed properly and press the START/PAUSE button. After starting a cycle, it may take a few moments before the drum begins to turn or spin. The washer will not spin unless the door is locked (DOOR LOCK will appear in the display).</li> <li>• If the door is closed and locked and the open door error message is displayed, call for service.</li> </ul>
<p><b>Door will not unlock when cycle is stopped or paused</b></p>	<ul style="list-style-type: none"> <li>• Interior temperature of washer is too high.</li> <li>• Water level in washer is too high.</li> </ul>	<ul style="list-style-type: none"> <li>• The washer door has a safety lock to prevent burns. Allow the washer to cool until the DOOR LOCK indicator turns off in the display.</li> <li>• Allow the washer to complete the programmed cycle, or run the DRAIN &amp; SPIN cycle to drain the water.</li> </ul>
<p><b>Wash cycle time is longer than usual</b></p>	<ul style="list-style-type: none"> <li>• The washer automatically adjusts the wash time for the amount of laundry, water pressure, water temperature, and other operating conditions.</li> </ul>	<ul style="list-style-type: none"> <li>• This is normal. The washer adjusts cycle time automatically to provide optimal results for the selected cycle.</li> </ul>
<p><b>Musty or mildewy odor in washer</b></p>	<ul style="list-style-type: none"> <li>• Incorrect or too much detergent has been used.</li> <li>• Inside of tub not cleaned properly.</li> </ul>	<ul style="list-style-type: none"> <li>• Use only HE (High-Efficiency) detergent in accordance with the manufacturer's instructions.</li> <li>• Run the TUB CLEAN cycle regularly. Be sure to wipe around and under the door seal frequently.</li> <li>• Clean around door seal/glass to prevent odor or mildew: <ol style="list-style-type: none"> <li>1. wipe dry the door seal/glass and the door opening area</li> <li>2. wipe around the inner drum/door seal and the lower door seal</li> </ol> </li> </ul>
<p><b>Steam is not visible during STEAM cycle</b></p>	<ul style="list-style-type: none"> <li>• This is normal.</li> </ul>	<ul style="list-style-type: none"> <li>• Because it uses pressurized steam, the washer requires very small amounts of steam to achieve optimal results. Excess steam could damage fabrics and reduce efficiency.</li> </ul>

# TROUBLESHOOTING

## BEFORE CALLING FOR SERVICE (cont.)

Problem	Possible Causes	Solutions
<b>Wrinkling</b>	<ul style="list-style-type: none"> <li>Washer not unloaded promptly.</li> <li>Washer overloaded.</li> <li>Hot and cold water inlet hoses are reversed.</li> </ul>	<ul style="list-style-type: none"> <li>Always remove items from the washer as soon as the cycle is completed.</li> <li>The washer can be fully loaded, but the drum should not be tightly packed with items. The door of the washer should close easily.</li> <li>Hot water rinse can set wrinkles in garments. Check the inlet hose connections.</li> </ul>
<b>Drum light does not stay on</b>	<ul style="list-style-type: none"> <li>This is normal.</li> </ul>	<ul style="list-style-type: none"> <li>The drum light shuts off automatically when the washer starts. Press and hold the RINSE+SPIN button for 3 seconds to turn on the light; it will turn off automatically after 4 minutes.</li> </ul>
<b>The display shows:</b> 	<ul style="list-style-type: none"> <li>Load is too small.</li> <li>Load is out of balance.</li> <li>The washer has an imbalance detection and correction system. If individual heavy articles are loaded (bath mat, bath robe, etc.) and the imbalance is too great, the washer will make several attempts to restart the spin cycle. If an imbalance is still detected, the washer will stop and the error code will be displayed.</li> </ul>	<ul style="list-style-type: none"> <li>Add 1 or 2 similar items to help balance the load.</li> <li>Rearrange items to help balance the load.</li> </ul>
<b>The display shows:</b> 	<ul style="list-style-type: none"> <li>Control error.</li> </ul>	<ul style="list-style-type: none"> <li>Unplug the washer and call for service.</li> </ul>
<b>The display shows:</b> 	<ul style="list-style-type: none"> <li>Water level is too high due to a faulty water valve.</li> </ul>	<ul style="list-style-type: none"> <li>Close the water taps, unplug the washer, and call for service.</li> </ul>
<b>The display shows:</b> 	<ul style="list-style-type: none"> <li>The water level sensor is not working correctly.</li> </ul>	<ul style="list-style-type: none"> <li>Close the water taps, unplug the washer, and call for service.</li> </ul>
<b>The display shows:</b> 	<ul style="list-style-type: none"> <li>Thermal overload protection circuit in the motor has been tripped.</li> </ul>	<ul style="list-style-type: none"> <li>Allow the washer to stand for 30 minutes to allow the motor to cool; then restart the cycle. If the LE error code still appears, unplug the washer and call for service.</li> </ul>
<b>The display shows:</b> 	<ul style="list-style-type: none"> <li>A power failure has occurred.</li> </ul>	<ul style="list-style-type: none"> <li>Restart the cycle.</li> </ul>
<b>Remote Laundry Monitor (optional accessory) not working properly</b>	<ul style="list-style-type: none"> <li>Refer to the instruction manual for the Remote Laundry Monitor.</li> </ul>	<ul style="list-style-type: none"> <li>Refer to the instruction manual for the Remote Laundry Monitor.</li> </ul>

# SPECIFICATIONS/OPTIONAL ACCESSORIES

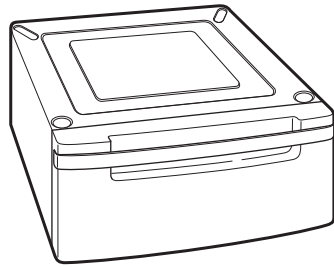
## KEY DIMENSIONS AND SPECIFICATIONS

The appearance and specifications listed in this manual may vary due to constant product improvements.

Steam Washer™ Model WM2801H*A	
<b>Description</b>	Front-Loading Washer
<b>Electrical Requirements</b>	120 VAC @ 60 Hz.
<b>Max. Water Pressure</b>	14.5~116 PSI (100~800 kPa)
<b>Dimensions</b>	27"(W) X 29 <sup>3</sup> / <sub>4</sub> "(D) X 38 <sup>11</sup> / <sub>16</sub> "(H), 51"(D with door open) 68.6 cm (W) X 75.6 cm (D) X 98.3 cm (H), 129.7 cm (D with door open)
<b>Net Weight</b>	208.6 lbs. (94.6 kg)
<b>Max. Spin Speed</b>	1,300 RPM

## OPTIONAL ACCESSORIES

For these and other LG products, contact your local LG dealer, or visit our Web site at [us.lge.com](http://us.lge.com).

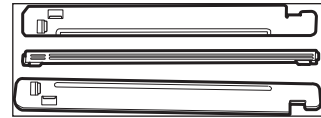


### ***Pedestal***

Give your LG washer and dryer a boost with matching 14-inch high pedestals. They feature a storage drawer for added convenience.

They feature a storage drawer for added convenience.

<b>14" Pedestal</b>	<b>Color</b>
WDP3W	White
WDP3R	Wild Cherry Red
WDP3L	RIVIERA Blue



### ***Stacking Kit***

If space is at a premium, use this kit to securely stack your LG front-load washer and dryer.

<b>Bracket Kit</b>	<b>Color</b>
WSTK1	White
RSTK1	Wild Cherry Red
NSTK1	RIVIERA Blue

# LG ELECTRONICS, INC. LG WASHING MACHINE LIMITED WARRANTY - USA



Your LG Washing Machine will be repaired or replaced, at LG's option, if it proves to be defective in material or workmanship under normal use, during the warranty period ("Warranty Period") set forth below, effective from the date ("Date of Purchase") of original consumer purchase of the product. This warranty is good only to the original purchaser of the product and effective only when used in the United States, including Alaska, Hawaii, and U.S. Territories.

<p><b>WARRANTY PERIOD:</b></p> <p><b>LABOR: One Year</b> from the Date of Purchase.</p> <p><b>PARTS (except as listed below): One Year</b> from the Date of Purchase.</p> <p style="padding-left: 40px;"><b>Electronic Control Board: Two Years</b> from the Date of Purchase.</p> <p style="padding-left: 40px;"><b>Drum Motor(Stator, Rotor, Hall Sensor) : Ten Years</b> from the Date of Purchase.</p> <p style="padding-left: 40px;"><b>Stainless Steel Drum: Lifetime</b></p> <p>Replacement Units and Repair Parts may be new or remanufactured.</p> <p>Replacement Units and Repair Parts are warranted for the remaining portion of the original unit's warranty period.</p>	<p><b>HOW SERVICE IS HANDLED:</b></p> <p><b>In-Home Service:</b></p> <p>Please retain dealer's dated bill of sale or delivery ticket as evidence of the Date of Purchase for proof of warranty, and submit a copy of the bill of sale to the service person at the time warranty service is provided.</p> <p><b>Please call 1-800-243-0000 and choose the appropriate option to locate your nearest LG Authorized Service Center.</b></p> <p>Or visit our Web site at: <a href="http://www.lgservice.com">http://www.lgservice.com</a>.</p>
---	---

**THIS WARRANTY IS IN LIEU OF ANY OTHER WARRANTY, EXPRESS OR IMPLIED, INCLUDING WITHOUT LIMITATION, ANY WARRANTY OF MERCHANTABILITY OR FITNESS FOR A PARTICULAR PURPOSE. TO THE EXTENT ANY IMPLIED WARRANTY IS REQUIRED BY LAW, IT IS LIMITED IN DURATION TO THE EXPRESS WARRANTY PERIOD ABOVE. NEITHER THE MANUFACTURER NOR ITS U.S. DISTRIBUTOR SHALL BE LIABLE FOR ANY INCIDENTAL, CONSEQUENTIAL, INDIRECT, SPECIAL, OR PUNITIVE DAMAGES OF ANY NATURE, INCLUDING WITHOUT LIMITATION, LOST REVENUES OR PROFITS, OR ANY OTHER DAMAGE WHETHER BASED IN CONTRACT, TORT, OR OTHERWISE.** Some states do not allow the exclusion or limitation of incidental or consequential damages or limitations on how long an implied warranty lasts, so the above exclusion or limitation may not apply to you. This warranty gives you specific legal rights and you may also have other rights that vary from state to state.

**THIS LIMITED WARRANTY DOES NOT APPLY TO:**

- Service trips to your home to deliver, pick up, and/or install the product, instruct, or replace house fuses or correct wiring, or correction of unauthorized repairs.
- Damages or operating problems that result from misuse, abuse, operation outside environmental specifications or contrary to the requirements of precautions in the Operating Guide, accident, vermin, fire, flood, improper installation, acts of God, unauthorized modification or alteration, incorrect electrical current or voltage, or commercial use, or use for other than intended purpose.

The cost of repair or replacement under these excluded circumstances shall be borne by the consumer.

**CUSTOMER INTERACTIVE CENTER NUMBERS**

<p><b>To obtain Customer Assistance, Product Information, or Dealer or Authorized Service Center location:</b></p>	<p><b>Call 1-800-243-0000</b> (24 hours a day, 365 days a year), and select the appropriate option from the menu.</p> <p><b>Or visit our Web site at: <a href="http://www.lgservice.com">http://www.lgservice.com</a>.</b></p>
--	--

**TO CONTACT LG ELECTRONICS  
BY MAIL:**

LG Customer Interactive Center  
P. O. Box 240007  
201 James Record Road  
Huntsville, Alabama 35824  
ATTN: CIC

# LG ELECTRONICS, INC. LG WASHING MACHINE LIMITED WARRANTY - CANADA

Visit our web site: [www.LG.ca](http://www.LG.ca)

LG Electronics Canada, Inc.

## LIMITED WARRANTY

Should your product prove to be defective in materials or workmanship under normal use during the warranty period listed below, which warranty period runs from the original date of purchase, LG Electronics will, at its option, repair or replace the product at no charge to you.

The warranty is valid only to the original purchaser of the product, during the warranty period, as long as it is in Canada.

### LG Washing Machine Warranty Period

<u>Components</u>	<u>Parts</u>	<u>Labour</u>
All Parts	1 Year	1 Year (In-Home Service)
Controller	3 Years	1 Year (In-Home Service)
Drum Tub	5 Years	1 Year (In-Home Service)
DD Motor (Stator, Rotor, Hall sensor)	10 Years	1 Year (In-Home Service)

No other warranty is applicable to this product. THE DURATION OF ANY IMPLIED WARRANTIES, INCLUDING THE IMPLIED WARRANTY OF MERCHANTABILITY, IS LIMITED TO THE DURATION OF THE EXPRESS WARRANTY HEREIN. LG ELECTRONICS SHALL NOT BE LIABLE FOR THE LOSS OF USE OF THE PRODUCT, INCONVENIENCE, LOSS, OR ANY OTHER DAMAGES, DIRECT OR CONSEQUENTIAL, ARISING OUT OF THE USE OF OR INABILITY TO USE, THIS PRODUCT OR FOR ANY BREACH OF ANY EXPRESS OR IMPLIED WARRANTY, INCLUDING THE IMPLIED WARRANTY OF MERCHANTABILITY OR FITNESS FOR A PARTICULAR PURPOSE, APPLICABLE TO THIS PRODUCT.

Some Provinces or Territories do not allow for the exclusion or limitation of incidental or consequential damages or limitations on how long an implied warranty lasts; so these limitations or exclusions may not apply to you. This warranty gives you (the original purchaser) specific legal rights and you may also have other rights, which vary from province to province or territory to territory.

### THE ABOVE WARRANTY DOES NOT APPLY TO:

1. Service trips to your home to deliver and pickup, install, instruct or replace house fuses, or connect house wiring or plumbing, or correction of unauthorized repairs.
2. Damage to the product caused by accident, pest, fire, floods, or acts of God.
3. Repairs when your LG product is used in other than normal, single-family household use or contrary to the instructions outlined in the product's owners manual.
4. Damage resulting from accident, alteration, misuse, abuse, or improper installation or maintenance.
5. Products with altered or removed serial numbers.

If the product is installed outside the normal service area, any cost of transportation involved in the repair of the product, or the replacement of a defective part, shall be borne by you (the owner).

### CUSTOMER ASSISTANCE INFORMATION:

To obtain Warranty Coverage:

Retain your Bill of Sale to prove the date of purchase. A copy of your Sales Receipt must be submitted when warranty service is provided. This warranty is invalid if the factory applied serial number has been altered or removed from the product.

To obtain Product or Customer Service Assistance:

Call 1-888-LG-CANADA (542-2623)  
Press the appropriate menu option, and have your product model and serial numbers and your postal code ready.

To obtain the nearest Authorized Service Center:

Access our web-site at: [www.LG.ca](http://www.LG.ca) (Service Option) or  
Call 1-888-LG-CANADA (542-2623)  
Press the appropriate menu option, have your product model & serial numbers & your postal code ready.

# INTRODUCCIÓN

## INSTRUCCIONES IMPORTANTES DE SEGURIDAD

Precauciones básicas de seguridad .....39-42

## PIEZAS Y CARACTERÍSTICAS

Características especiales..... 43  
Piezas y componentes clave..... 44

## INSTALACIÓN

Escoja el lugar adecuado ..... 45  
Espacios de instalación..... 45  
Tipo de piso..... 46  
Instalaciones con la base pedestal  
o kit de apilado opcionales ..... 46  
Desembalaje y retiro de los pernos de embalaje... 47  
Conexión de las tuberías de agua..... 48  
Conexión de la tubería de drenaje ..... 49  
Nivelación de la lavadora ..... 50

## CÓMO USAR

Clasificación de las cargas de lavado ..... 51  
Selección de detergente ..... 52  
Detalles sobre el depósito..... 52  
Carga del depósito..... 53  
Características del panel de control..... 54  
Guía de ciclos..... 55  
La pantalla de LED ..... 56  
Funcionamiento de la lavadora ..... 57  
Ciclos de vapor ..... 58  
Botones de ajuste de ciclo..... 59  
Botones de función especial..... 60  
Programa personalizado ..... 61  
Funciones secundarias ..... 61  
Ciclos de cuidado especial ..... 62

## MANTENIMIENTO Y LIMPIEZA

Limpieza regular ..... 63-64  
Limpieza de la lavadora..... 65  
Mantenimiento..... 66-67

## RESOLUCIÓN DE PROBLEMAS

Sonidos normales que podría escuchar ..... 68  
Antes de llamar a mantenimiento..... 68-70

## ESPECIFICACIONES/ACCESORIOS OPCIONALES

Dimensiones y especificaciones clave..... 71  
Accesorios opcionales ..... 71

## ¡GRACIAS!

Felicitaciones por su compra y  
bienvenido a la familia LG.

Su nueva Steam Washer™ LG  
combina la tecnología de lavado

más avanzada con funcionamiento  
sencillo y alta eficiencia. Al seguir

las instrucciones de funcionamiento  
y mantenimiento de este manual, su

lavadora le brindará muchos años  
de servicio confiable.

## GARANTÍA ..... 72

### *Información de registro del producto*

**Modelo:**

**Número de serie:**

**Fecha de compra:**

Se puede encontrar el número de serie y el  
modelo en la placa de clasificación en la frente  
de la lavadora.



# INSTRUCCIONES IMPORTANTE DE SEGURIDAD

## LEA TODAS LAS INSTRUCCIONES ANTES DE USAR

**⚠️ ADVERTENCIA** Por su seguridad, debe seguir la información indicada en este manual para minimizar el riesgo de incendio o explosión, descarga eléctrica, o para prevenir daños a la propiedad, lesiones personales o muerte.

### Su Seguridad y la de los demás son de suma importancia.

En este manual y en su electrodoméstico figuran muchos mensajes importantes de seguridad. Lea y cumpla siempre con todos los mensajes de seguridad.



Éste es el símbolo de alerta de seguridad.

El mismo alerta sobre potenciales riesgos de muerte o heridas tanto para usted como para otras personas.

Todos los mensajes de seguridad estarán a continuación del símbolo de alerta de seguridad y con la palabra PELIGRO o ADVERTENCIA. Estas palabras significan:

**⚠️ PELIGRO:** Corre riesgo de muerte o de sufrir heridas serias si no sigue las instrucciones inmediatamente.

**⚠️ ADVERTENCIA:** Corre riesgo de muerte o de sufrir heridas serias si no sigue las instrucciones.

Todos los mensajes de seguridad le indicarán cuál es el riesgo potencial, le dirán cómo reducir las posibilidades de sufrir heridas y qué puede suceder si no se siguen las instrucciones.

# INSTRUCCIONES IMPORTANTE DE SEGURIDAD

## LEA TODAS LAS INSTRUCCIONES ANTES DE USAR

**⚠ADVERTENCIA** Por su seguridad, se debe seguir la información indicada en este manual para minimizar el riesgo de incendio o explosión, descarga eléctrica, o para prevenir daños a la propiedad, lesiones personales, o muerte.

### INSTRUCCIONES BÁSICAS DE SEGURIDAD

**⚠ADVERTENCIA** Para minimizar el riesgo de incendio o explosión, descarga eléctrica, o para prevenir lesiones personales cuando use electrodomésticos, se deben seguir precauciones básicas de seguridad, incluyendo las siguientes:

- Antes de usar, la lavadora debe estar correctamente instalada como se describe en este manual.
- No lave artículos que han sido limpiados, lavados, remojados o salpicados previamente con gasolina, disolventes de limpieza en seco, u otras sustancias inflamables o explosivas, ya que emanan vapores que podrían encenderse o explotar.
- No agregue gasolina, disolventes de limpieza en seco u otras sustancias explosivas al agua de lavado. Estas sustancias emanan vapores que podrían encenderse o explotar.
- Bajo ciertas condiciones, se puede producir gas hidrógeno en un sistema de agua caliente que no se haya usado por un plazo de 2 semanas o más. **EL GAS HIDRÓGENO ES EXPLOSIVO.** Si no se ha usado el sistema de agua caliente durante tal período, antes de utilizar la lavadora, abra todas las llaves de agua caliente y deje que el agua fluya durante algunos minutos. Esto liberará cualquier gas hidrógeno acumulado. Ya que el gas es inflamable, no fume ni use ninguna llama abierta durante este período.
- No deje que los niños jueguen en la lavadora o dentro de ella. Cuando se usa la lavadora cerca de los niños se necesita supervisión minuciosa.
- Antes de poner la lavadora fuera de servicio o de tirarla, quite la puerta para prevenir que los niños se metan dentro.
- No instale ni guarde la lavadora cuando esté expuesta a la intemperie o temperaturas de congelamiento.
- No toque los controles.
- No repare ni cambie ninguna pieza de la lavadora ni intente dar un mantenimiento diferente al descrito en este manual. Recomendamos enfáticamente que el mantenimiento lo brinde una persona calificada.
- Ve a las Instrucciones de instalación para referirse a los requisitos de puesta a tierra.
- Siga SIEMPRE las instrucciones de mantenimiento de fábrica provistas por el fabricante de las prendas.
- No coloque artículos expuestos a aceite comestible en su lavadora. Los artículos contaminados con aceites comestibles podrían contribuir a la formación de una reacción química que cause que una carga de lavado se incendie.
- Use suavizadores de tela o productos para eliminar estática únicamente del modo recomendado por el fabricante.
- Esta lavadora no está diseñada para uso marino o instalaciones móviles tales como vehículos recreativos, aeronaves, etc.
- Cierre las llaves de agua y desenchufar la lavadora si ha dejado la lavadora sin funcionar por un período prolongado de tiempo, como durante las vacaciones.
- El material de embalaje podría resultar peligroso para los niños. ¡Existe el peligro de sufrir sofocación! Mantenga todos los elementos de embalaje fuera del alcance de los niños.
- Antes de cargar la lavadora, siempre revise que no haya objetos extraños en su interior. Mantenga la puerta cerrada cuando no se use.

### INSTRUCCIONES PARA LA CONEXIÓN A TIERRA

Este aparato debe ser conectado a tierra. Dado el caso de descompostura ó mal funcionamiento, la conexión a tierra reduce el riesgo de recibir una descarga eléctrica proveyendo una vía de menor resistencia a la corriente eléctrica. Este aparato esta equipado con un cable que tiene un conductor de equipo a tierra y una clavija de tierra. La clavija debe ser conectada en una toma de corriente adecuada que esté propiamente instalada y conectada a tierra de acuerdo con los códigos y ordenanzas locales.

### ⚠ADVERTENCIA

Una conexión inapropiada del conductor de equipo a tierra puede resultar en riesgo de recibir una descarga eléctrica. Verifique con un electricista calificado si tiene dudas sobre si el aparato esta correctamente conectado a tierra. No modifique la clavija provista con el aparato. Si no encaja con la toma de corriente, haga instalar una toma de corriente adecuada por un electricista calificado. Si no se cumple con esta advertencia se podrán producir heridas graves, incendios, descargas eléctricas, o muerte.

# INSTRUCCIONES IMPORTANTE DE SEGURIDAD

## LEA TODAS LAS INSTRUCCIONES ANTES DE USAR

**⚠️ ADVERTENCIA** Por su seguridad, se debe seguir la información indicada en este manual para minimizar el riesgo de incendio o explosión, descarga eléctrica, o para prevenir daños a la propiedad, lesiones personales o muerte.

## INSTRUCCIONES DE SEGURIDAD PARA LA INSTALACIÓN

**⚠️ ADVERTENCIA** Para minimizar el riesgo de incendio o explosión, descarga eléctrica, o para prevenir lesiones personales cuando use electrodomésticos, se deben seguir precauciones básicas de seguridad, incluyendo las siguientes:

- **Consulte las INSTRUCCIONES DE INSTALACIÓN para un procedimiento detallado de conexión a tierra.** Junto con la lavadora se encuentran las instrucciones de instalación como referencia. Si cambiará de lugar la lavadora, contrate a una persona del servicio calificada para que la controle y reinstale. Si no se cumple con esta advertencia se podrán producir heridas graves, incendios, descargas eléctricas, o muerte.
- **Nunca, bajo ninguna circunstancia, corte o elimine el tercer cable (tierra) del cable de corriente.** Si no se cumple con esta advertencia se podrán producir heridas graves, incendios, descargas eléctricas, o muerte.
- **Para su seguridad personal, este electrodoméstico debe estar adecuadamente conectado a tierra.** Si no se cumple con esta advertencia se podrán producir heridas graves, incendios, descargas eléctricas, o muerte.
- **El cable de corriente de este electrodoméstico contiene un enchufe de 3 cables (conexión a tierra) que se conecta a un tomacorriente de pared estándar de 3 cables (conexión a tierra) para minimizar la posibilidad de riesgos de descargas eléctricas por parte del mismo.**
- **La lavadora deberá estar conectada a un tomacorriente con conexión a tierra de 120VAC, 60 Hz.** Si no se cumple con esta advertencia se podrán producir heridas graves, incendios, descargas eléctricas, o muerte.
- **Contrate a un electricista calificado para que controle el tomacorriente y el circuito eléctrico con el fin de asegurar que el enchufe esté correctamente conectado a tierra.** Si no se cumple con esta advertencia se podrán producir heridas graves, incendios, descargas eléctricas, o muerte.
- **En caso de contar con un tomacorriente de pared de 2 cables, es su responsabilidad y obligación reemplazarlo por un tomacorriente de pared de 3 cables correctamente conectado a tierra.** Si no se cumple con esta advertencia se podrán producir heridas graves, incendios, descargas eléctricas, o muerte.
- **No instalar sobre alfombra. Instale la lavadora sobre un suelo firme.** Si no se cumple con esta advertencia se podrán producir daños por filtraciones.
- **No elimine el cable de conexión a tierra. No use un adaptador o prolongador. Enchufe en un tomacorriente con conexión a tierra de 3 cables.** Si no se cumple con esta advertencia se podrán producir heridas graves, incendios, descargas eléctricas, o muerte.
- **La lavadora debería estar siempre conectada a un enchufe específico con un índice de voltaje equivalente al que figura en su etiqueta de características técnicas.** Esto garantiza el mejor funcionamiento y además previene la sobrecarga de los circuitos del hogar, lo cual podría ocasionar riesgos de incendio debido al recalentamiento de cables.
- **Nunca desenchufe su lavadora empujando el cable de corriente. Siempre tome su enchufe firmemente y empuje el mismo hacia fuera para retirarlo.** Si no se cumple con esta advertencia se podrán producir heridas graves, incendios, descargas eléctricas, o muerte.
- **Repáre o reemplace de inmediato todos los cables de corriente pelados o con cualquier tipo de daño. No use un cable con cortaduras o abrasión sobre su extensión o extremos.** Si no se cumple con esta advertencia se podrán producir heridas graves, incendios, descargas eléctricas, o muerte.
- **Al instalar o cambiar de lugar la lavadora, evite todo tipo de cortes u otros daños en el cable de corriente.** Si no se cumple con esta advertencia se podrán producir heridas graves, incendios, descargas eléctricas, o muerte.
- **La lavadora debe ser instalada y conectada a tierra por una persona especializada del servicio técnico cumpliendo con los códigos locales para prevenir riesgos de descargas y asegurar la estabilidad durante el funcionamiento.**
- **La lavadora es pesada. Se necesitan dos o más personas para instalar y trasladar el electrodoméstico.** Si esto no se cumple se podrán producir diversas heridas.
- **Ubique e instale la lavadora evitando su exposición a temperaturas bajo cero o a condiciones climáticas en áreas exteriores.** Si no se cumple con esta advertencia se podrán producir daños por filtraciones.
- **Con el fin de reducir el riesgo de descargas eléctricas no instale la lavadora en espacios húmedos.** Si no se cumple con esta advertencia se podrán producir heridas graves, incendios, descargas eléctricas, o muerte.

# INSTRUCCIONES IMPORTANTE DE SEGURIDAD

## LEA TODAS LAS INSTRUCCIONES ANTES DE USAR

**⚠️ ADVERTENCIA** Por su seguridad, se debe seguir la información indicada en este manual para minimizar el riesgo de incendio o explosión, descarga eléctrica, o para prevenir daños a la propiedad, lesiones personales o muerte.

## INSTRUCCIONES DE SEGURIDAD PARA LA UTILIZACIÓN, CUIDADO Y LIMPIEZA, Y LA DISPOSICIÓN

**⚠️ ADVERTENCIA** Para minimizar el riesgo de incendio o explosión, descarga eléctrica, o para prevenir lesiones personales cuando use electrodomésticos, se deben seguir precauciones básicas de seguridad, incluyendo las siguientes:

- **Desenchufe la lavadora antes de limpiar la misma** para evitar el riesgo de descargas eléctricas.
- **Al limpiar la lavadora nunca utilice químicos de corte, limpiadores abrasivos o solventes.** Los mismos dañarán su aspecto.
- **No coloque trapos grasosos o aceitosos sobre la lavadora.** Estas sustancias despiden vapores que podrían prender fuego los materiales.
- **No lave prendas que estén sucias con aceite vegetal o de cocina.** Las mismas pueden quedar con algo de aceite luego del lavado. Debido al aceite que permanece, la tela puede despedir humo o prenderse fuego por sí sola.
- **Desconecte este electrodoméstico del tomacorriente antes de realizar cualquier función de mantenimiento. Colocar los controles en la posición OFF (apagado) no desconecta el electrodoméstico de la toma de corriente.** Si no se cumple con esta advertencia se podrán producir heridas graves, incendios, descargas eléctricas, o muerte.
- **No combine diferentes productos de lavandería en una misma carga a menos que esto se especifique en la etiqueta. No mezcle blanqueador con cloro junto con amoníaco o ácidos tales como vinagre. Al usar productos de lavandería siga las instrucciones del envoltorio.** Un uso indebido puede producir gases venenosos, lo que puede resultar en heridas graves o muerte.
- **No coloque las manos dentro de la lavadora cuando sus partes estén en movimiento. Antes de cargar, descargar o agregar prendas, presione la perilla selectora de ciclos y espere hasta que el tambor se detenga totalmente antes de colocar las manos dentro.** Si no se cumple con esta advertencia se podrán producir heridas graves, incendios, descargas eléctricas, o muerte.
- **No permita que los niños jueguen sobre o dentro de la lavadora. Si hay niños cerca mientras la lavadora está en funcionamiento es necesario supervisarlos de cerca. A medida que los niños crezcan, enséñeles sobre el uso adecuado y seguro de todos los electrodomésticos.** Si estas advertencias no se cumplen se podrían producir heridas graves.
- **Destruya la bolsa plástica y otros materiales de embalaje una vez retirada la lavadora. Es posible que los niños deseen usarlas para jugar. Los cartones cubiertos con alfombra, colchas o láminas de plástico se pueden convertir en cámaras herméticas.** Si estas advertencias no se cumplen se podrían producir heridas graves o muerte.
- **Mantenga los productos de lavandería fuera del alcance de los niños. Para evitar heridas, cumpla con todas las advertencias que figuran en las etiquetas de los productos.** Si estas advertencias no se cumplen se podrían producir heridas graves.
- **Retire la puerta del compartimiento de lavado para evitar el riesgo de que los niños o animales pequeños queden atrapados dentro, si dejará de usar definitivamente o se deshará de su lavadora.** Si no se cumple con esto se podrán producir heridas o muerte.

## GUARDE ESTAS INSTRUCCIONES

# PIEZAS Y CARACTERÍSTICAS

## CARACTERÍSTICAS ESPECIALES

### 1 CAJÓN DE DEPÓSITO DE DETERGENTE

Este cajón de cuatro secciones provee depósitos separados para el detergente de prelavado y detergente principal de lavado, blanqueador líquido, así como suavizante líquido de telas.

### 2 PANTALLA DE LED DEL PANEL DE CONTROL

Los controles electrónicos son sencillos y fáciles de utilizar. La pantalla de LED muestra las opciones y la información de ciclo, y los mensajes de estado durante el funcionamiento.

### 3 COMPUERTA DE SEGURIDAD DE FÁCIL ACCESO

La compuerta extra-grande se asegura durante el funcionamiento y consta de un bloqueo demorado para prevenir que la compuerta se abra hasta que el interior de la lavadora se haya enfriado y haya bajado el nivel del agua.

### 4 CICLOS DE VAPOR DE ALTA EFICIENCIA

Durante los ciclos de VAPOR de alta eficiencia únicos de LG, la boquilla de vapor inyecta a las telas vapor caliente para eliminar suavemente las manchas más difíciles.

### 5 CHORROS DE RODILLO

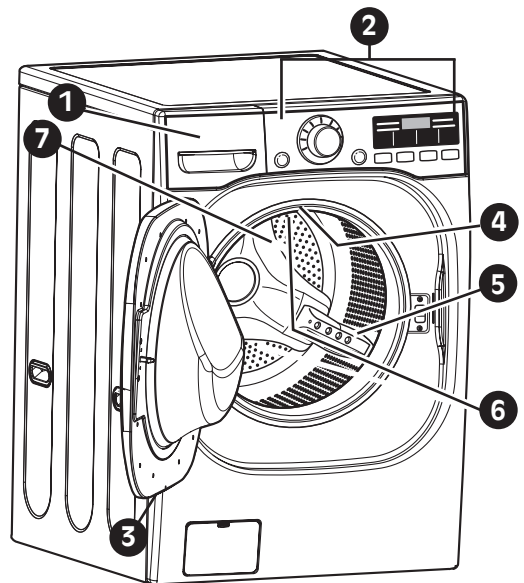
El sistema de chorros de rodillo mejora el desempeño de lavado, a la vez que reduce el desgaste de la tela. Los chorros integrados rocían las prendas para mejorar aún más la eficiencia de lavado.

### 6 LUZ DEL TAMBOR INTERIOR

La luz del tambor ilumina el interior de la lavadora para aumentar la visibilidad en la carga y descarga. Las bombillas LED de duración ultra larga nunca necesitarán ser reemplazadas.

### 7 MOTOR DE ACCIÓN DIRECTA

El motor de acción directa elimina la correa y las poleas incluidas en la mayoría de las lavadoras para brindar desempeño y confiabilidad mejorados, a la vez que aumenta el ahorro de energía.



# PIEZAS Y CARACTERÍSTICAS

## PIEZAS Y COMPONENTES CLAVE

Además de los componentes y las características descritos en la sección de *Características especiales*, hay varios componentes importantes adicionales a los cuales se hace referencia en este manual.

### 1 TAMBOR DE ACERO INOXIDABLE DE ULTRA CAPACIDAD

El tambor de acero inoxidable ultra grande ofrece una durabilidad extraordinaria y está inclinado para mejorar la eficiencia y permitir el acceso fácil para prendas grandes.

### 2 CIRCULACIÓN DE AGUA Y BOQUILLAS DE VAPOR

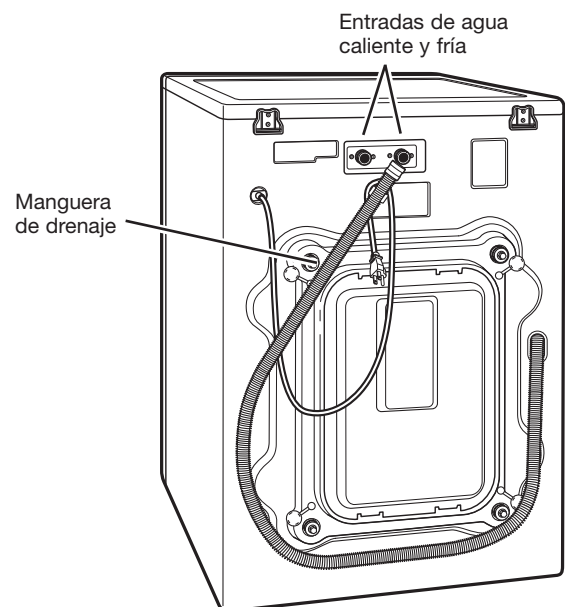
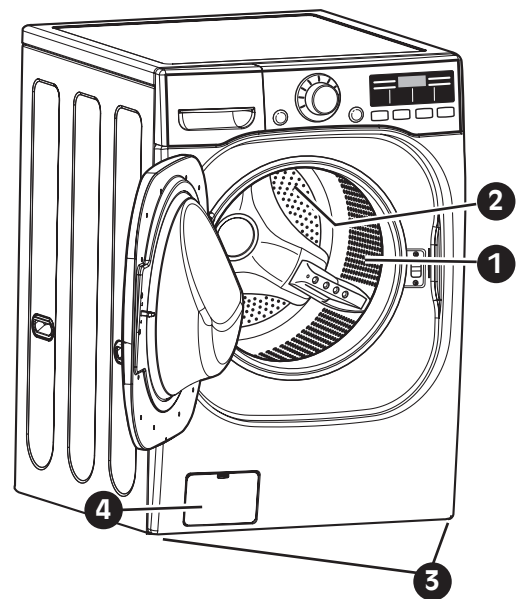
Las boquillas de circulación de agua rocían la solución agua/el detergente directamente sobre las prendas permitiendo una limpieza extraordinaria. Durante los ciclos de VAPOR de alta eficiencia exclusivos de LG, la boquilla de vapor inyecta a las telas vapor caliente para eliminar suavemente las manchas más difíciles.

### 3 PATAS NIVELADORAS

Cuatro patas niveladoras (dos en la parte frontal y dos en la trasera) ajustables para mejorar la estabilidad de la lavadora en pisos desnivelados.

### 4 PANEL DE ACCESO AL DRENAJE

Brinda acceso a la tubería de drenaje y al filtro de la bomba de drenaje.



Parte trasera de la lavadora

### Accesorios incluidos



Mangueras de agua fría y caliente



Tapón (4) (para tapar los agujeros de los pernos para transporte)



Llave (para sacar los pernos de embalaje y ajustar las patas niveladoras)



Correa de amarre (para asegurar la manguera de drenaje)



Abrazadera de codo (para asegurar la manguera de drenaje)

## ESCOJA EL LUGAR ADECUADO

### ⚠️ ADVERTENCIA

- La lavadora es pesada. Se necesitan dos o más personas para instalar y trasladar el electrodoméstico. Si esto no se cumple se podrán sufrir heridas en la espalda u otras heridas.
- Almacene e instale la lavadora en un lugar no expuesto a temperaturas inferiores a las de congelación ni a la intemperie. Si no se cumple con esta advertencia se podrán producir heridas graves, incendios, descargas eléctricas, o muerte.
- Conecte a tierra la lavadora siguiendo todos los códigos y ordenanzas legales. Si no se cumple con esta advertencia se podrán producir heridas graves, incendios, descargas eléctricas, o muerte.
- Para reducir el riesgo de descargas eléctricas, no instale la lavadora en áreas de alta humedad. Si no se cumple con esta advertencia se podrán producir heridas graves, incendios, descargas eléctricas, o muerte.
- La apertura de la base no debe estar obstruida por una alfombra cuando la lavadora se instale en un piso alfombrado.

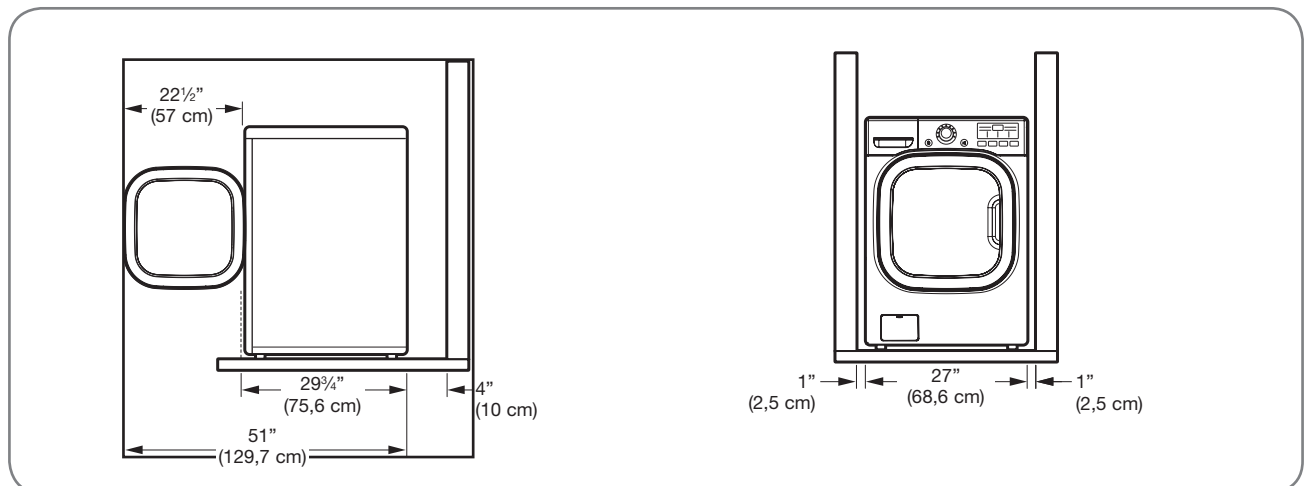
- No elimine el cable de conexión a tierra. No use un adaptador o prolongador. Enchufe en un tomacorriente con conexión a tierra de 3 cables. Si no se cumple con esta advertencia se podrán producir heridas graves, incendios, descargas eléctricas, o muerte.

### Tomacorriente

- El tomacorriente debe estar dentro de un área mínima de 1,5 m (60 pulgadas) a cualquiera de los lados de la lavadora.
- El electrodoméstico y el tomacorriente deben estar colocados de forma tal que se pueda acceder al enchufe fácilmente.
- No sobrecargar el tomacorriente con más de un electrodoméstico.
- El tomacorriente deberá estar puesto a tierra de acuerdo con los códigos y las regulaciones de cableado actuales.
- Se recomienda utilizar un fusible de demora de tiempo o disyuntor.

**NOTA:** Es responsabilidad y obligación personal del dueño del producto pedir a un electricista calificado que instale el tomacorriente adecuado.

## ESPACIOS DE INSTALACIÓN



Para asegurar que se haya dotado de suficiente espacio para las tuberías de agua y flujo de aire, deje espacios mínimos de por lo menos 2,5 cm (1 pulgada) en los lados y 10 cm (4 pulgadas) detrás de la unidad. No olvidar prever espacio para las molduras de pared, puerta o piso que podrían aumentar los espacios de instalación requeridos.

Deje por lo menos 61,2 cm (24 pulgadas) al frente de la lavadora para poder abrir la compuerta.

# INSTALACIÓN

## TIPO DE PISO

- Para minimizar el ruido y vibración, se DEBE instalar la lavadora en un piso sólidamente construido. Ver la NOTA a la derecha.
- La pendiente permitida debajo de toda la lavadora es de 1°.
- No se recomiendan las superficies alfombradas o de baldosas blandas.
- Nunca instale la lavadora en una plataforma o estructura soportada con poca solidez. Utilice un pedestal accesorio aprobado únicamente como se describe más abajo.

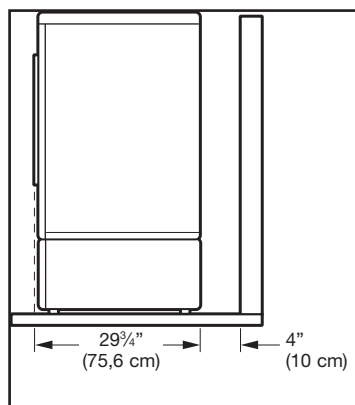
**NOTA:** Tome en cuenta que el piso debe ser lo suficientemente fuerte y rígido para soportar el peso de la lavadora cuando se encuentra completamente cargada, sin flexionarse ni rebotar. Si su piso tiene mucha flexión, podría necesitar reforzarlo para hacerlo más rígido. Un piso adecuado para una lavadora de carga por la parte superior podría no ser lo suficientemente rígido para una de carga frontal debido a la diferencia en la dirección y velocidad del centrifugado. Si el piso no es sólido, su lavadora podría vibrar y la vibración podría sentirse en toda la casa.

## INSTALACIONES CON LA BASE PEDESTAL O KIT DE APILADO OPCIONALES

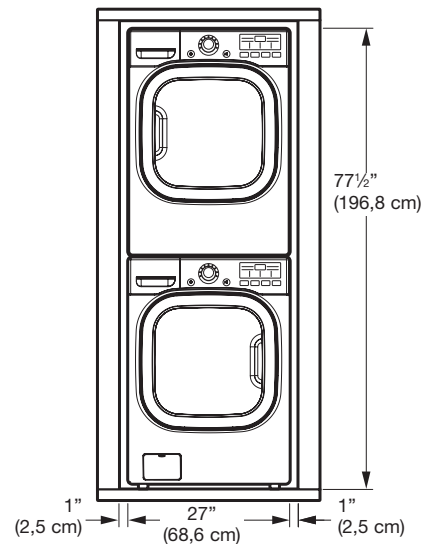
**IMPORTANTE:** Si se encuentra instalando la lavadora con una base pedestal o un kit de apilado opcionales, consulte la sección de *Accesorios opcionales* incluida en este manual o las

instrucciones de su pedestal o kit de apilado antes de continuar con la instalación.

Dimensiones requeridas para la instalación con pedestal



Dimensiones requeridas para la instalación con el kit de apilado



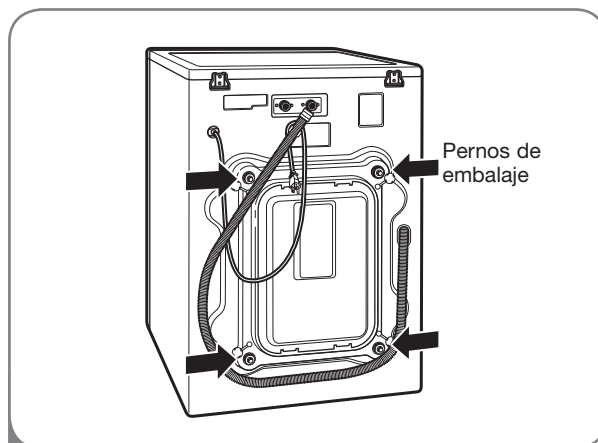
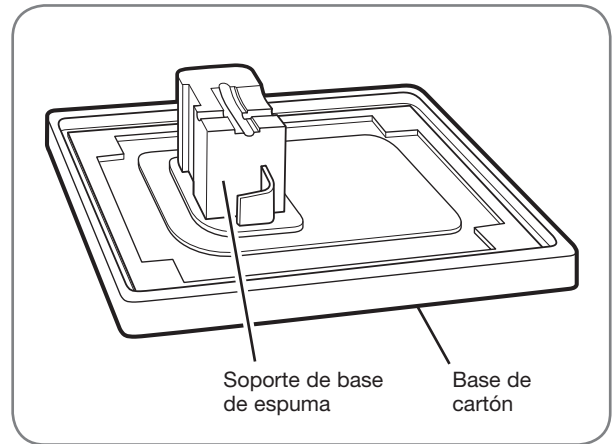
## DESEMBALAJE Y RETIRO DE LOS PERNOS DE EMBALAJE

Al retirar la lavadora de la base de cartón, asegúrese de quitar el soporte de base de espuma colocado en la mitad de la base de cartón.

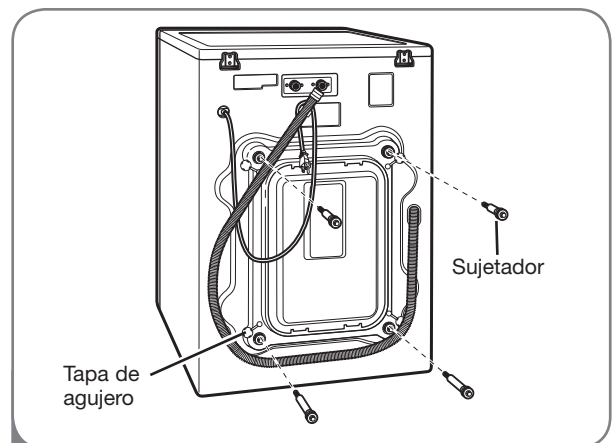
Si debe asentar la lavadora hacia abajo para quitar los materiales de embalaje de la base, hágalo siempre cuidadosamente sobre su parte lateral. NO asiente la lavadora sobre su parte frontal o posterior.

**IMPORTANTE:** Para prevenir daños en el interior durante el transporte, la lavadora está equipada con cuatro pernos de embalaje y sujetadores plásticos. Se **DEBEN** quitar estos pernos y sujetadores antes de poner en funcionamiento la lavadora.

- De lo contrario se podría causar vibración y ruido severos, que podrían causar daños permanentes a la lavadora. El cable está asegurado a la parte posterior de la lavadora con un perno de embalaje para prevenir el funcionamiento con los pernos colocados.



- 1 Comenzando por los 2 pernos de embalaje inferiores, use la llave incluida para quitar los 4 pernos de embalaje rotándolos en sentido contrario a las agujas del reloj.



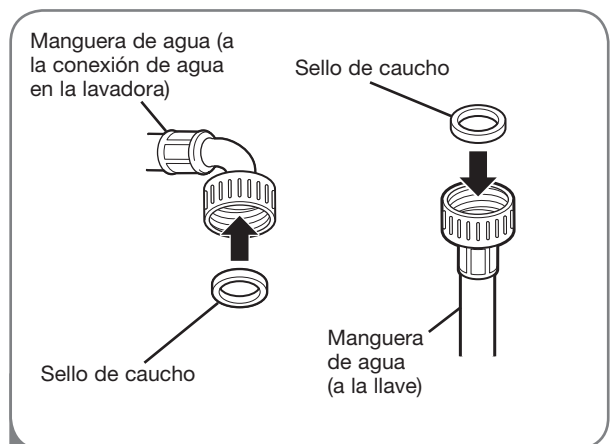
- 2 Quite los sujetadores haciéndolos girar levemente mientras tira. Gire y apriete las tapas de orificio en los orificios de los pernos de embalaje.

**NOTA:** Guarde los pernos y sujetadores para su uso futuro. Para prevenir daños a los componentes internos, los pernos y sujetadores internos deben ser instalados cuando se transporte la lavadora.

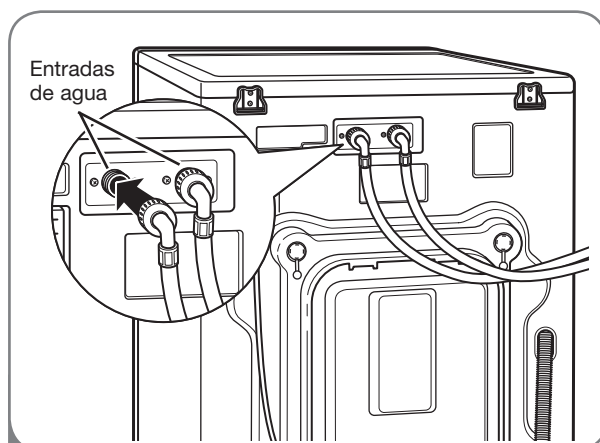
# INSTALACIÓN

## CONEXIÓN DE LAS TUBERÍAS DE AGUA

- **IMPORTANTE:** Cuando instale la lavadora, use mangueras nuevas. NO reutilice mangueras viejas.
- **IMPORTANTE:** Usar SOLAMENTE las mangueras de la entrada proporcionadas por LG de este mercado del lavadero. Las mangueras del mercado de accesorios no están garantizadas para caber o para funcionar correctamente. Otras mangueras pueden no apretar correctamente y podrían causar los escapes. El daños subsecuente al producto o a la propiedad no serán cubiertos de conformidad con la garantía de LG.
- La presión de suministro de agua debe estar entre 14,5 libras por pulgada cuadrada y 116 libras por pulgada cuadrada (100~800 kPa). Si la presión de suministro de agua es superior a 116 libras por pulgada cuadrada, debe instalar una válvula reductora de presión.
- Revise periódicamente que la manguera no tenga rajaduras, fugas y desgaste, y reemplácela de ser necesario.
- Asegúrese de que las tuberías de agua no se encuentren extendidas, apretadas, aplastadas o curvadas.
- Nunca se debe instalar ni almacenar la lavadora en un lugar expuesto a temperaturas de congelamiento. Pueden dañarse las tuberías de agua y mecanismos internos de la lavadora. Si se expone la lavadora a temperaturas de congelamiento antes de la instalación, deje que permanezca a una temperatura ambiente por varias horas antes de usar.

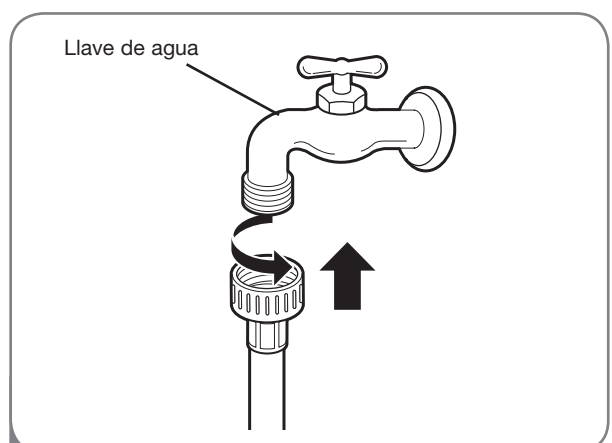


- 1 Inserte un sello de caucho en las conexiones roscadas en cada manguera.



- 2 **NOTA:** No dañe la rosca de las conexiones de manguera.

Conecte la tubería de agua caliente a la entrada roja de agua caliente en la parte posterior de la lavadora. Conecte la tubería de agua fría a la entrada azul de agua fría en la parte posterior de la lavadora. Ajuste las conexiones con firmeza.



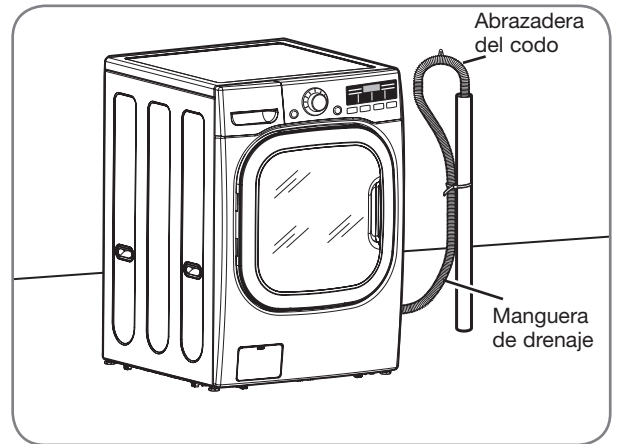
- 3 Conecte la tubería de agua caliente a la llave de agua caliente. Conecte la tubería de agua fría a la llave de agua fría.

Ajuste las conexiones con firmeza. Abra las llaves de agua completamente para revisar que no haya fugas.

## CONEXIÓN DE LA TUBERÍA DE DRENAJE

- La manguera de drenaje siempre debe estar asegurada adecuadamente. No asegurar adecuadamente la manguera de drenaje puede resultar en inundación o daños a la propiedad.
- No instalar el extremo de la manguera a una altura de más de 2,44 m (96 pulgadas) sobre la parte inferior de la lavadora.
- El drenaje debe instalarse según todos los códigos y regulaciones locales vigentes.
- Asegúrese de que las tuberías de agua no se encuentren extendidas, apretadas, aplastadas o curvadas.

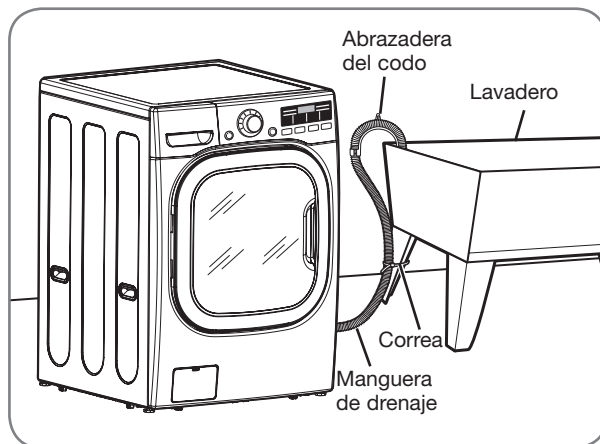
### Opción 1: Tubo vertical



Enganche el extremo de la manguera en la abrazadera del codo. Inserte el extremo de la manguera de drenaje en el tubo vertical. Utilice la correa para asegurar la manguera en su lugar.

**NOTA:** La altura total del extremo de la manguera no deberá sobrepasar 2,44 m (96 pulgadas) desde la parte inferior de la lavadora.

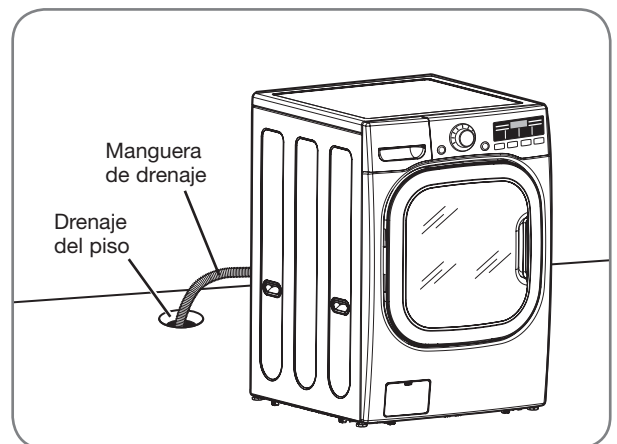
### Opción 2: Lavadero



Enganche el extremo de la manguera en la abrazadera del codo. Cuelgue el extremo de la manguera sobre el lado del lavadero. Utilice la correa para asegurar la manguera en su lugar.

**NOTA:** La altura total del extremo de la manguera no deberá sobrepasar 2,44 m (96 pulgadas) desde la parte inferior de la lavadora.

### Opción 3: Drenaje del piso



Inserte el extremo de la manguera de drenaje en el drenaje del piso. Asegure la manguera en su lugar para prevenir su movimiento.

# INSTALACIÓN

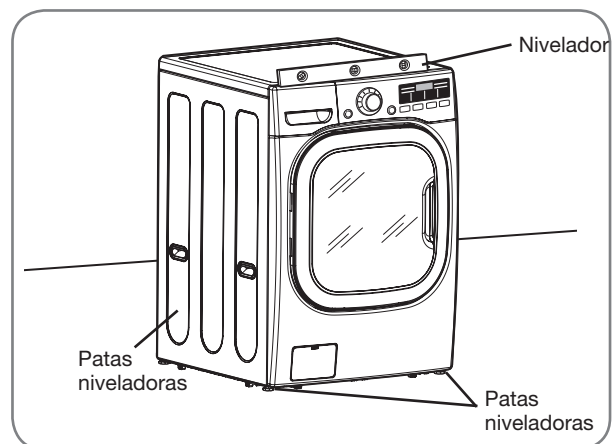
## NIVELACIÓN DE LA LAVADORA

El tambor de su nueva lavadora centrifuga a velocidades muy altas, de hasta 1.300 r.p.m. Para minimizar la vibración, el ruido y movimiento no deseados, el piso deberá ser una superficie perfectamente nivelada y sólida.

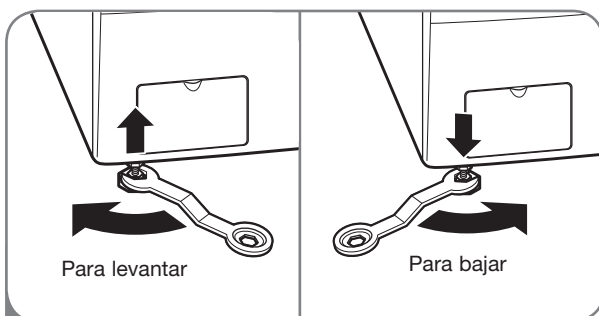
**NOTA:** Fije las patas niveladoras solo en la medida necesaria para nivelar la lavadora. La extensión de las patas niveladoras más de lo necesario puede causar vibración de la lavadora.

- Las 4 patas niveladoras deberán apoyarse firmemente en el piso. Mueva la lavadora suavemente de esquina a esquina para asegurarse de que no se balancee.

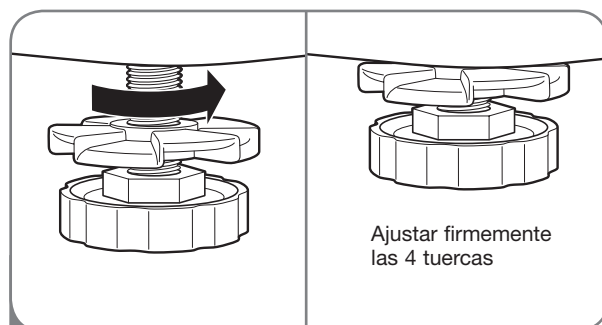
Si está instalando la lavadora en el accesorio de pedestal opcional, deberá usar las patas niveladoras del **pedestal** para nivelar la lavadora. Las patas niveladoras de la lavadora deberán estar completamente replegadas y fijas en su posición con las tuercas de seguridad.



- 1 Coloque la lavadora en el lugar final, tomando la precaución especial de no apretar, forzar ni aplastar las tuberías de drenaje y agua. Coloque un nivelador en la parte superior de la lavadora.



- 2 Afloje las tuercas de seguridad en las 4 patas niveladoras hasta que pueda girar la pata con la llave incluida. Gire en la dirección de las agujas del reloj para levantar la lavadora o al contrario para bajarla.



- 3 Una vez que la lavadora se encuentre nivelada de lado a lado y atrás y adelante, ajuste todas las tuercas de seguridad con firmeza.

Asegúrese de que las 4 patas niveladoras se encuentran haciendo contacto firme con el piso.

**NOTA:** Para asegurar que la lavadora está nivelada adecuadamente, hágala funcionar con una carga de prueba: coloque aproximadamente 3 kilos de ropa en la máquina. Luego, apriete POWER (encendido), RINSE+SPIN (enjuague+centrifugado), y el botón de START/PAUSE (inicio/pausa). Vea las siguientes secciones para obtener información adicional sobre la selección y el funcionamiento de ciclos.

Verifique que la lavadora no se meza o vibre excesivamente durante el ciclo de centrifugado. Si la lavadora vibra o se sacude, ajuste las patas niveladoras hasta que se encuentre estable y vuelva a comprobar.

## CLASIFICACIÓN DE LAS CARGAS DE LAVADO

### Etiquetas de cuidado de las telas

La mayoría de las prendas de vestir tienen etiquetas de cuidado de las telas para lograr un cuidado adecuado.



### Agrupamiento de prendas similares

Para obtener los mejores resultados, clasifique las prendas en cargas que puedan lavarse con el mismo ciclo de lavado.

Telas diferentes tienen requisitos de mantenimiento distintos.

Siempre lave las prendas de colores oscuros separadas de las de colores claros y ropa blanca para evitar manchas. De ser posible, no lave prendas muy sucias con otras menos sucias. El cuadro indicado más abajo muestra los agrupamientos recomendados.

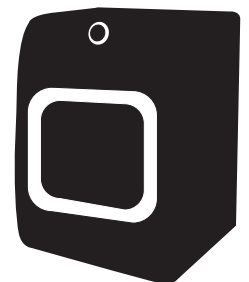
### Clasifique los grupos de lavado...

por colores	por nivel de suciedad	por tipo de tela	por hilas
Ropa blanca	Pesada	Delicada	Producteur de peluche
Liviana	Normal	Mantenimiento fácil	Recolectora de hilachas
Oscura	Liviana	Resistente	

### Carga de la lavadora

- Revise todos los bolsillos para asegurarse de que estén vacíos. Artículos como clips, cerillos, plumas, monedas y llaves pueden dañar su lavadora o sus prendas.
- Cierre las cremalleras, ganchos y cordones para prevenir que estos artículos se enganchen o enreden en otras prendas.
- Trate previamente las áreas muy manchadas para obtener los mejores resultados.
- Combine prendas grandes y pequeñas en una carga. Cargue primero las prendas grandes.
- Las prendas grandes no deberán ser más de la mitad de la carga de lavado total.
- Se puede cargar la lavadora completamente, pero el tambor no puede quedar colmado de prendas. La compuerta de la lavadora deberá cerrar con facilidad.
- Para prevenir una carga fuera de balance, no lave prendas solas. Añada una o das prendas similares a la carga. Las prendas grandes, que requieren mucho espacio, tales como sábanas, cubrecamas o colchas se deben lavar individualmente.
- No lave ni centrifugue prendas impermeables.
- Cuando descargue la lavadora, revise debajo del sello de la compuerta para controlar que no haya artículos pequeños.

**NOTA:** La lavadora de carga frontal gira la colada mojada para lavarla con menos agua. Si no ve el agua durante el lavado, no supone un problema, ya que la lavadora estará lo suficientemente mojada.



# CÓMO USAR

## SELECCIÓN DE DETERGENTE

**IMPORTANTE:** Su lavadora de vapor Steam Washer™ está diseñada para usarse **exclusivamente** con detergentes (Alte eficiencia) (HE). Los detergentes de alta eficiencia están formulados específicamente para las lavadoras de carga frontal y contienen agentes reductores de espuma. Busque siempre el símbolo (Alte eficiencia) (HE) cuando compra detergente.

Los detergentes de alta eficiencia producen menos espuma, se disuelven más eficientemente para mejorar el desempeño de lavado y enjuague, y ayudan a mantener limpio el interior de su lavadora.

Utilizar un detergente regular puede causar demasiada espuma y desempeño insatisfactorio.

**IMPORTANTE:** No coloque o almacene productos de lavado como detergente, blanqueador o suavizante líquido en la parte superior de su lavadora o secadora. Limpie inmediatamente cualquier derrame. Estos productos pueden dañar el acabado y los controles.



Diseñada específicamente para usar con el detergente tipo HE (Alte eficiencia)

## DETALLES SOBRE EL DEPÓSITO

El cajón de suministro automático consiste en 4 compartimentos que almacenan:

- Blanqueador líquido.
- Suavizante líquido de telas.
- Detergente líquido o en polvo para el prelavado.
- Detergente líquido o en polvo y cloro a prueba de decoloramiento para el lavado principal.

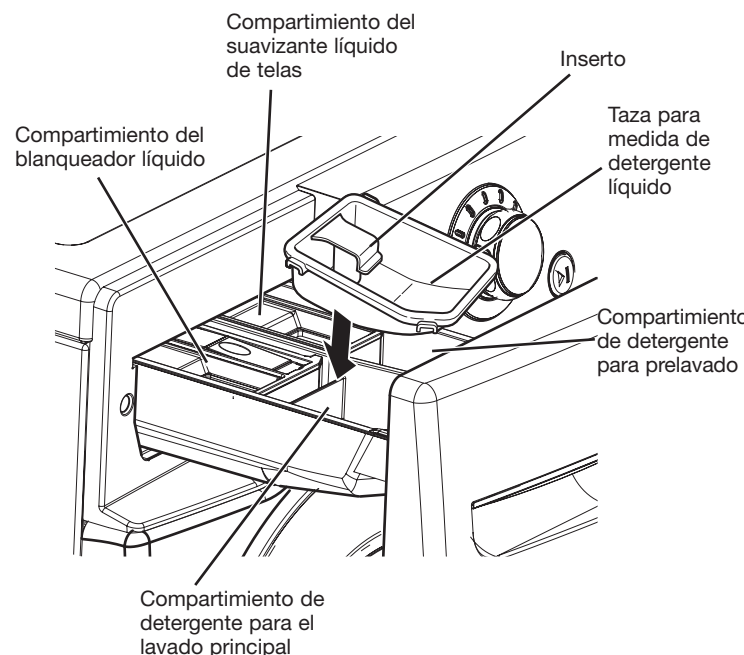
Se pueden añadir todos los productos de lavado al mismo tiempo en sus respectivos compartimentos de suministro. Serán suministrados en el momento adecuado para brindar el lavado más eficaz.

Después de añadir los productos de lavado al depósito, cierre el cajón de depósito.

Para añadir detergente, blanqueador, y suavizante al cajón de suministro automático:

- 1 Abra el cajón de depósito.
- 2 Cargue los productos de lavado en los compartimentos adecuados.
- 3 Cierre lentamente el cajón de depósito para evitar la salida temprana de los productos.

**NOTA:** Es normal que una cantidad pequeña de agua permanezca en los compartimentos de suministro al final del ciclo.



## CARGA DEL DEPÓSITO

### **Compartimiento de detergente para prelavado**

Agregue el detergente líquido o en polvo a este compartimiento cuando se usa la opción de Prewash (prelavado). Use siempre detergente tipo HE (Alte eficiencia) con su lavadora.

- La cantidad de detergente agregado para la opción de prelavado debe ser la mitad de la cantidad para el ciclo de lavado principal. Por ejemplo, si el ciclo de lavado principal requiere una medida de detergente, añada media medida para la opción de prelavado.

**NOTA:** Si usted use el detergente líquido para el lavado principal cuando se usa la opción de prelavado, el accesorio de la taza de detergente debe ser usado en el depósito del lavado principal para evitar que el detergente líquido de lavado principal está suministrado inmediatamente.

### **Compartimiento de detergente para el lavado principal**

Este compartimiento alberga el detergente para el ciclo de lavado principal, el cual se agrega a la carga al principio del ciclo. Use siempre detergente tipo HE (Alte eficiencia) con su lavadora.

Cuando agregue detergente **nunca** sobrepase las recomendaciones del fabricante. Utilizar demasiado detergente puede resultar en la acumulación del mismo en las prendas y en la lavadora. Se puede utilizar tanto detergente líquido como en polvo.

- Cuando usa detergente líquido, asegúrese de que la taza e inserto se encuentran colocados en su sitio. No exceda la línea de llenado máxima.
- Cuando utiliza detergente en polvo, quite el inserto y la taza de detergente líquido del compartimiento. El detergente en polvo no se suministrará si están colocados la taza de detergente líquido y el inserto.

**NOTA:** Se puede agregar el blanqueador a prueba de decoloramiento líquido o en polvo al compartimiento de lavado principal utilizando detergente del mismo tipo.

### **Compartimiento de blanqueador líquido**

Este compartimiento alberga blanqueador líquido, que se suministrará automáticamente en el momento adecuado del ciclo de lavado.

- No agregue blanqueador a prueba de decoloramiento líquido o en polvo a este compartimiento.
- Siga siempre las recomendaciones del fabricante cuando agregue blanqueador. No exceda la línea de llenado máxima. Usar demasiado blanqueador puede dañar las telas.
- Nunca descargue blanqueador líquido no diluido directamente en la carga o en el tambor. Puede dañar las telas.

### **Compartimiento del suavizante**

Este compartimiento alberga el suavizante líquido de telas, que se suministrará automáticamente durante el ciclo de enjuague final.

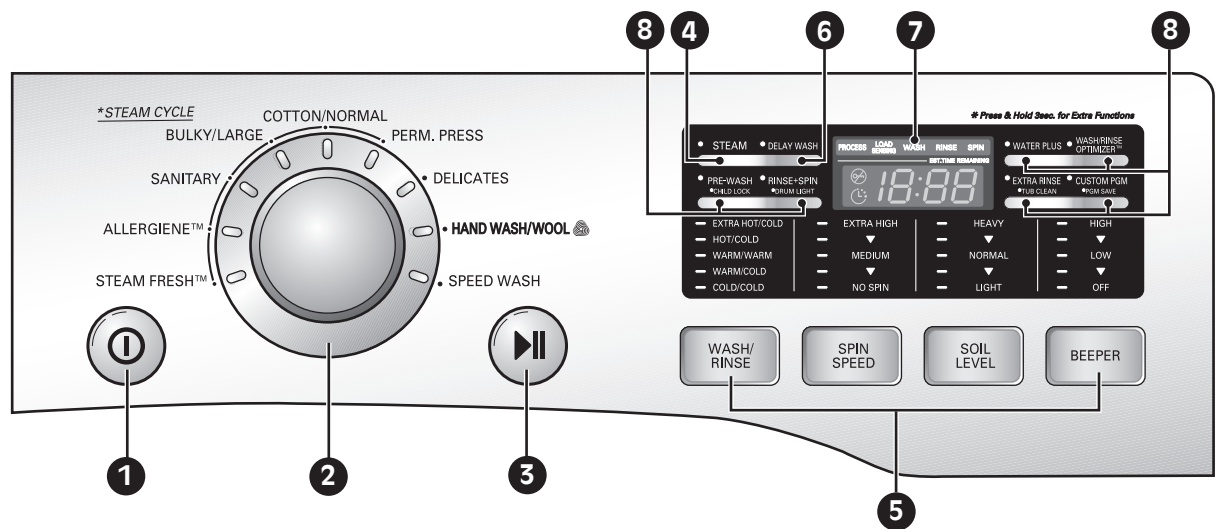
- Siga siempre las recomendaciones del fabricante cuando agregue suavizante. No exceda la línea de llenado máxima. Usar demasiado suavizante puede causar que las telas se manchen.
- Diluya los suavizadores de tela concentrados junto con agua caliente. No exceda la línea de llenado máxima.
- Nunca agregue suavizador de tela directamente en la carga o en el tambor.



Diseñada específicamente para usar con el detergente tipo HE (Alte eficiencia)

# CÓMO USAR

## CARACTERÍSTICAS DEL PANEL DE CONTROL



### 1 BOTÓN DE ENCENDIDO/APAGADO

Apriete el botón para ENCENDER la lavadora. Apriete nuevamente para APAGAR la lavadora.

**NOTA:** Aprender el botón de ENCENDIDO/APAGADO durante un ciclo cancelará ese ciclo y borrará cualquier programación de carga.

### 2 PERILLA SELECTORA DE CICLOS

Gire esta perilla para seleccionar el ciclo deseado. Una vez que se haya seleccionado el ciclo deseado, los preajustes estándar se mostrarán en la pantalla. Se pueden programar estos ajustes usando los botones de programación de ciclos en cualquier momento antes del inicio.

### 3 BOTÓN DE INICIO/PAUSA

Apriete el botón para INICIAR el ciclo seleccionado. Si la lavadora está funcionando, utilice este botón para PAUSAR el ciclo sin perder la programación actual.

**NOTA:** Si no aprieta el botón de INICIO/PAUSA en un plazo de 4 minutos después de seleccionar un ciclo, la lavadora se apagará automáticamente.

### 4 BOTÓN DE STEAM (VAPOR)

Apriete el botón de STEAM (vapor) para añadir vapor al ciclo seleccionado para aumentar el poder de limpieza.

**NOTA:** Se puede añadir vapor solamente a los siguientes ciclos: STEAMFRESH™, SANITARY (SANITARIO), BULKY/LARGE (voluminoso/grande), COTTON/NORMAL (algodón/normal), PERM. PRESS (PLANCHADO PERM.), y ALLERGIENE™.

### 5 BOTONES DE PROGRAMACIÓN DE CICLOS

Utilice estos botones para seleccionar las opciones de ciclo deseadas para el ciclo seleccionado. Las opciones actuales se muestran en la pantalla. Apriete el botón para ver esa opción y seleccionar otros ajustes.

### 6 BOTÓN DE DELAY (DEMORA)

Apriete el botón de DELAY WASH (lavado demorado) para demorar el inicio del ciclo de lavado. Cada vez que se aprieta este botón se aumenta el tiempo de demora en lapsos de 1 hora, hasta 19 horas.

### 7 PANTALLA LED

La pantalla muestra los ajustes, el tiempo restante estimado, las opciones y los mensajes de estado correspondientes a su Steam Washer™. La luz en la pantalla permanecerá encendida durante el ciclo.

### 8 BOTONES DE FUNCIÓN ESPECIAL

Los botones de función especial le permiten seleccionar funciones adicionales y se encenderán cuando se los seleccione. Ciertos botones también le permiten activar funciones secundarias al mantener presionados dichos botones durante 3 segundos.

Para obtener información detallada sobre las opciones individuales, lea las páginas siguientes.

## GUÍA DE CICLOS

La guía de ciclos indicada más abajo muestra las opciones y tipos de telas recomendadas para cada ciclo.

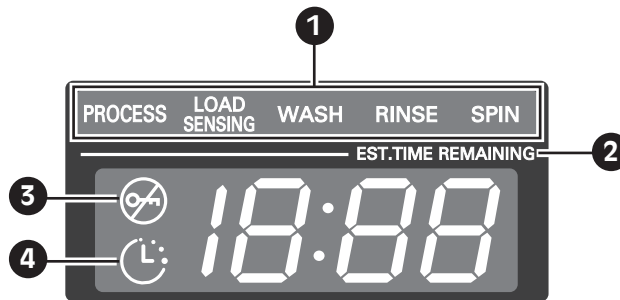
Ciclo	Tipo de tela	Temp. Lavado/ Enjuague	Velocidad de giro	Nivel de suciedad	Prelavado	Enguaje + giro	Enjuague adicional	Agua plus	Vapor	Optimizador de la colada/ de la aclaración
<b>Steam Fresh™</b>	Camisas de etiqueta, blusas								●	
<b>Sanitary (Sanitario)</b>	Ropa interior muy sucia, ropa de trabajo, pañales, etc.	Extra Caliente/Frío	Alto	Normal						
			Extra alto No exprimido Bajo Mediano	Pesado Leve	●	●	●	●	●	●
<b>Bulky/Large (Voluminoso/ Grande)</b>	Prendas grandes tales como mantas y edredones	Tibio/ Frío	Bajo	Normal						
		Tibio / Tibio Caliente / Frío Frío / Frío	Mediano No exprimido	Pesado Leve	●	●	●	●	●	●
<b>Perm. Press (PLANCHADO PERM.)</b>	Camisas de etiqueta/ pantalones, ropa antiarrugas, ropas de mezcla poliéster/ algodón, manteles	Tibio/ Frío	Mediano	Normal						
		Tibio / Tibio Caliente / Frío Frío / Frío	Alto No exprimido Bajo	Pesado Leve	●	●	●	●	●	●
<b>Cotton/ Normal (Algodón/ Normal)</b>	Algodón, lino, toallas, camisas, vaqueros, cargas mixtas	Tibio/ Frío	Alto	Normal						
		Tibio / Tibio Caliente / Frío Frío / Frío	Extra alto No exprimido Bajo Mediano	Pesado Leve	●	●	●	●	●	●
<b>Allergiene™</b>	Algodón, ropa interior, fundas de almohadas, sábanas, ropa de bebé		Alto							
			Extra alto No exprimido Bajo Mediano			●	●	●	●	
<b>Delicate (Delicado)</b>	Camisas de etiqueta/ blusas, prendas de nylon, muy finas o de encaje	Frío / Frío	Mediano	Normal						
		Tibio/ Frío Tibio / Tibio	No exprimido Bajo	Pesado Leve	●	●	●			
<b>Hand Wash/ Wool (Lavar Mano/Lana)</b>	Prendas etiquetadas como "lavables a mano (hand-washable)"	Tibio/ Frío	Bajo	Normal						
		Tibio / Tibio Frío / Frío	No exprimido	Leve		●	●			
<b>Speed Wash (Lavar Rapido)</b>	Ropa ligeramente sucio y cargas	Caliente / Frío	Extra alto	Leve						
		Frío / Frío Tibio/ Frío Tibio / Tibio	No exprimido Bajo Mediano Alto	Normal Pesado		●	●			

**NOTA:** Para proteger sus prendas de vestir, no todas las temperaturas de lavado/enjuague, velocidades de centrifugado, niveles de suciedad u opciones están disponibles en cada ciclo.

# CÓMO USAR

## LA PANTALLA DE LED

La pantalla LED los ajustes, el tiempo restante estimado, las opciones y los mensajes de estado correspondientes a su lavadora. Cuando se enciende la lavadora, se iluminará la luz de la pantalla.



### 1 INDICADOR DE COMPLETACIÓN DE CICLO

Esta parte de la pantalla muestra que etapa del ciclo de lavado se está realizando actualmente (SENSOR DE CARGA, LAVADO, ENJUAGUE o GIRO).

Al inicio del ciclo, la lavadora hace girar la carga y detecta el peso de la colada. La pantalla de visualización indicará el tamaño aproximado de la carga mediante números del 1 al 4 durante 5 segundos. (Esta función está disponible para los programas ALGODÓN/NORMAL, ALLERGIENE™, SANITARIO). De esta forma podrá ajustar la cantidad de detergente y otros aditivos para obtener resultados óptimos y mejorar la eficiencia.

### 2 ESTIMATED TIME REMAINING (ESTIMADO TIEMPO RESTANTE)

Cuando se aprieta el botón INICIO/PAUSA, la lavadora detecta automáticamente la carga de lavado (peso) y optimiza el tiempo de lavado, en base al ciclo y las opciones seleccionados. Luego la pantalla indicará el tiempo restante estimado para dicho ciclo.

**NOTA:** El tiempo de ciclo mostrado puede mostrarse mucho más largo que el de una lavadora de carga superior. El tiempo mostrado corresponde al ciclo completo, y no solo la porción de agitación del ciclo, como se muestra típicamente en una lavadora de carga superior.

### 3 INDICADOR DE SEGURO DE LA COMPUERTA

Indica que la compuerta está asegurada. La compuerta de la lavadora se asegurará mientras la lavadora se encuentra funcionando. Se puede liberar la compuerta apretando el botón INICIO/PAUSA ubicado en la parte superior de la lavadora.

**NOTE:** Si la temperatura en la lavadora es demasiado alta, no se podrá liberar la compuerta hasta que se haya enfriado la lavadora. Si el nivel de agua es demasiado alto, seleccione el ciclo DRAIN & SPIN (drenaje y centrifugado) para drenar el exceso de agua. No intente forzar la apertura de la compuerta.

### 4 INDICADOR DE DELAY WASH (LAVADO DEMORADO)

Este indicador muestra que la lavadora ha sido programada para un DELAY WASH (lavado demorado). La lavadora comenzará a funcionar automáticamente después de que se ha completado el tiempo de espera fijado.

## FUNCIONAMIENTO DE LA LAVADORA

Una vez que ha cargado la lavadora y añadido los productos de lavado (detergente, blanqueador y/o suavizante):

- 1 Apriete el botón de ENCENDIDO/APAGADO para encender la lavadora. Las luces alrededor de la perilla selectora de ciclos se iluminarán.



- 2 Gire la perilla selectora al ciclo deseado. La pantalla mostrará el preajuste programado de Rinse/Wash Temperature (temperatura de enjuague/lavado), Spin Speed (velocidad de centrifugado), Soil Level (nivel de suciedad), y Option (opción) para ese ciclo.



- 3 Si desea cambiar los ajustes para ese ciclo, apriete el(los) botón(es) para mostrar ajustes adicionales para esa opción. Apriete el botón nuevamente para alternar entre los ajustes hasta que se haya resaltado el deseado.



**NOTA:** Para proteger sus prendas de vestir, no todas las temperaturas de lavado/enjuague, velocidades de centrifugado, niveles de suciedad u opciones están disponibles en cada ciclo.

- 4 Seleccione cualquier opción(es) de ciclo adicional(es), tales como STEAM (vapor) o DELAY WASH (lavado demorado) apretando el botón para tal opción, o apretando el botón de OPTION por los opciones adicionales.



**NOTA:** Para proteger sus prendas de vestir, no todas las temperaturas de lavado/enjuague, velocidades de centrifugado, niveles de suciedad u opciones están disponibles en cada ciclo.

- 5 Apriete el botón de INICIO/PAUSA para iniciar el ciclo. La compuerta se asegurará, la pantalla cambiará, y la lavadora calculará el tiempo restante estimado. Una vez que la lavadora haya calculado el tiempo de ciclo total estimado, comenzará a trabajar. Para pausar el ciclo en cualquier momento, apriete PAUSE (pausa).



**NOTA:** El tiempo de ciclo mostrado puede mostrarse mucho más largo que el de una lavadora de carga superior.

El tiempo mostrado corresponde al ciclo completo, no solo la porción de agitación del ciclo, como se muestra típicamente en una lavadora de carga superior.

**NOTA:** Si la temperatura en la lavadora es demasiado alta, no se podrá liberar la compuerta hasta que se haya enfriado la lavadora. Si el nivel de agua es demasiado alto, seleccione el ciclo DRAIN & SPIN (drenaje y centrifugado) para drenar el exceso de agua. No intente forzar la apertura de la compuerta.


Se puede reducir significativamente el tiempo de lavado para cargas pequeñas o poco sucias seleccionando el ciclo de Speed Wash (Lavar Rapido) y programando el botón de Soil Level (nivel de suciedad) a Light (ligero).

- 6 Cuando se ha terminado la carga, la alarma (de haberse programado) sonará y se desasegurará la compuerta.

Quite las prendas húmedas fuera de la lavadora inmediatamente. Revise debajo del sello de la compuerta observando que no haya artículos pequeños.

# CÓMO USAR

## CICLOS DE VAPOR

 Los ciclos de STEAM (vapor) incluyen Sanitary (Sanitario), Bulky/Large (voluminoso/grande), Cotton/Normal (algodón/normal), Prem Press (PLANCHADO PERM.), y Allergiene™. Añadir la opción de vapor a estos ciclos permite un mejor desempeño de limpieza a la vez que se ahorra energía y consumo de agua. Al usar un chorro de vapor caliente desde arriba y agua más fría más abajo, las telas obtienen los beneficios de limpieza de un lavado súper caliente, sin el uso de energía o daño potencial a las telas.

### Para añadir vapor al ciclo estándar:

- 1 Encienda la lavadora y gire la perilla selectora de ciclos para seleccionar un ciclo con la opción STEAM (vapor).
- 2 Apriete el botón STEAM (vapor). La lavadora programará automáticamente los ajustes de ciclo.
- 3 Programe cualquiera de las demás opciones deseadas.
- 4 Apriete el botón INICIO/PAUSA para iniciar el ciclo. La lavadora iniciará automáticamente.

### PRECAUCIÓN:

**No toque la compuerta durante los ciclos de vapor. La superficie de la compuerta puede estar muy caliente. Permita que el seguro de la compuerta se libere antes de abrir la compuerta.**

**No intente forzar el mecanismo de seguro de la compuerta o meter la mano dentro de la lavadora durante un ciclo de vapor. El vapor puede causar quemaduras severas.**

### NOTAS IMPORTANTES SOBRE LOS CICLOS DE VAPOR:

- Puede que el vapor no sea claramente visible durante los ciclos de vapor. Esto es normal. Demasiado vapor podría dañar las prendas.
- No utilice el vapor en telas delicadas tales como lana, seda o telas que se decoloren fácilmente.
- No toque la compuerta.

### Cómo usar el ciclo SteamFresh™

SteamFresh™ usa el poder del vapor por sí solo para reducir arrugas y olores en las telas. Brinda nueva vida a prendas arrugadas que han sido almacenadas por un período prolongado de tiempo y facilita el planchado en prendas muy arrugadas. SteamFresh™ también puede usarse para ayudar a reducir los malos olores de las telas.

### Utilice el ciclo SteamFresh™:

- 1 Encienda la lavadora y gire la perilla selectora de ciclos hasta el ciclo SteamFresh™.
- 2 Cargue hasta 5 prendas y cierre la compuerta.  
**NOTA:** Si hay humedad dentro del tambor, de un ciclo de lavado previo, séquelo con una toalla antes de agregar las prendas.
- 3 Apriete el botón STEAM (vapor) hasta que se indique el número correcto de prendas en la pantalla. No se necesita programar ninguna otra opción.
- 4 Apriete el botón INICIO/PAUSA para iniciar el ciclo.

Después de completar el ciclo SteamFresh™, la lavadora voltará las prendas durante un máximo de 30 minutos para prevenir la formación de arrugas.

Después de sacar las prendas del ciclo SteamFresh™, pueden sentirse levemente húmedas. Coloque las prendas en un colgador durante 10 minutos para que se sequen.

- No se recomienda utilizar el ciclo SteamFresh™ en prendas que sean 100% de algodón.
- Elimine las manchas de las prendas antes de utilizar el ciclo Steam Fresh™; el calor hará que las manchas se fijen permanentemente.
- No utilice SteamFresh™ con las siguientes prendas: lana, cobijas, chaquetas de cuero, seda, prendas mojadas, lencería, productos de espuma o cobijas eléctricas.
- Se lograrán mejores resultados cuando las prendas sean similares en tamaño y tipo de tela. No sobrecargue.

## BOTONES DE AJUSTE DE CICLO

Cada ciclo tiene ajustes preprogramables que se seleccionan automáticamente. También puede personalizar los ajustes utilizando los botones de programación de ciclos. Apriete el botón para ver esa opción y seleccionar otros ajustes.

La lavadora ajusta automáticamente el nivel de agua según el tipo y tamaño de la carga de lavado para proporcionar los mejores resultados y eficiencia máxima. Puede parecer que no hay agua dentro del tambor en algunos ciclos, pero esto es normal.

**NOTA:** Para proteger sus prendas de vestir, no todas las temperaturas de lavado/enjuague, velocidades de centrifugado, niveles de suciedad u opciones están disponibles en cada ciclo. Vea la Guía de ciclos para obtener más detalles.

### WASH/RINSE (lavado/enjuague)



Selecciona la combinación de temperatura de lavado y enjuague para el ciclo seleccionado. Apriete el botón WASH/RINSE (lavado/enjuague) repetidamente para navegar a través de los ajustes disponibles.

- Su lavadora contiene un elemento de calentamiento que propulsa la temperatura del agua caliente para ajustes extra calientes (Extra Hot). Esto brinda un desempeño de lavado mejorado que con los ajustes de calefactor de agua normales.
- Seleccione la temperatura de agua adecuada para el tipo de carga que se encuentra lavando. Siga las instrucciones de la etiqueta de mantenimiento de la tela para obtener los mejores resultados.
- Los enjuagues calientes dejan las cargas más secas que los fríos. Los enjuagues calientes pueden aumentar las arrugas.
- En climas fríos, un enjuague caliente permite mayor comodidad en la manipulación de la carga.
- Los enjuagues fríos ahorran energía.

### SOIL LEVEL (nivel de suciedad)



Ajusta el ciclo seleccionado para permitir más tiempo de lavado para prendas muy sucias o menos tiempo para prendas levemente sucias.

### SPIN SPEED (velocidad de centrifugado)



El tambor de la lavadora centrifuga a 1.300 r.p.m. Esto reduce el ciclo de secado y ahorra energía.

Apriete el botón SPIN SPEED (velocidad de centrifugado) para seleccionar la velocidad de centrifugado máxima. Algunas telas, como las delicadas, requieren una velocidad de centrifugado más lenta.

El ciclo de Drain & Spin (drenaje y centrifugado): El botón de Spin Speed (velocidad de centrifugado) también activa el ciclo de Drain & Spin (drenaje y centrifugado) para drenar el lavado y centrifugar las prendas; por ejemplo, si desea sacar las prendas antes de que el ciclo haya terminado.

Para activar el ciclo **DRAIN & SPIN** (drenaje y centrifugado):

- 1 Apriete el botón ENCENDIDO/APAGADO para encender la lavadora.
- 2 Apriete el botón SPIN SPEED (velocidad de centrifugado).
- 3 Seleccione la velocidad de centrifugado deseada.  
**NOTA:** Si se ha seleccionado NO SPIN (sin centrifugado), la lavadora únicamente drenará.
- 4 Apriete el botón INICIO/PAUSA.

### BEEPER (alarma)



Ajusta el volumen de la alarma de finalización de ciclo, o lo apaga.



# CÓMO USAR

## BOTONES DE FUNCIÓN ESPECIAL

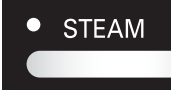
Su Steam Washer™ dispone de varias opciones de ciclo adicionales, las cuales personalizan los ciclos para cumplir con sus necesidades individuales. Ciertos botones de opción también incorporan una función especial (vea la siguiente página para obtener mayor información) que puede activarse apretando y manteniendo apretado ese botón de opción por 3 segundos.

### Para añadir opciones de ciclo al ciclo:

- 1 Encienda la lavadora y gire la perilla selectora de ciclos para seleccionar el ciclo deseado.
- 2 Use los botones de programación de ciclo para fijar los ajustes para ese ciclo.
- 3 Apriete el(los) botón(es) de opción de ciclo para la opción que desea añadir. Los botones de opción de ciclo se encenderán cuando se seleccionan.
- 4 Apriete el botón INICIO/PAUSA para iniciar el ciclo. La lavadora se iniciará automáticamente.

**NOTA:** Para proteger sus prendas de vestir, no todas las temperaturas de lavado/enjuague, velocidades de centrifugado, niveles de suciedad u opciones están disponibles en cada ciclo. Vea la Guía de ciclos para obtener más detalles.


### STEAM (vapor)

 Use el botón STEAM (vapor) para añadir vapor al ciclo para añadir poder de limpieza adicional y eficiencia mejorada.


Vea la sección de *Ciclos de vapor* para obtener detalles adicionales.

**NOTA:** No se pueden usar todos los ciclos con la opción STEAM (vapor).


### DELAY WASH (lavadora demorado)

 Una vez que haya seleccionado el ciclo y otros ajustes, apriete este botón para demorar el inicio del ciclo de lavado. Cada vez que se aprieta este botón se aumenta el tiempo de demora en lapsos de 1 hora, hasta 19 horas.

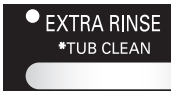
### GUARDAR PGM

 Utilice el botón CUSTOM PGM para seleccionar el curso anteriormente guardado mediante "GUARDAR PGM".


### WATER PLUS (AGUA PLUS)

 Seleccione esta opción para añadir agua adicional a los ciclos de lavado y enjuague para la obtención de resultados superiores, especialmente con artículos grandes o voluminosos.

### EXTRA RINSE (enjuague adicional)

 Esta opción añadirá un ciclo de enjuague extra al ciclo seleccionado. Use esta opción para ayudar a asegurar la eliminación de residuos de detergente o blanqueador de las telas.


### RINSE+SPIN (enjuague+centrifugado)

 Seleccione esta opción para enjuagar y centrifugar una carga separadamente de un ciclo regular. Esto puede ser útil para prevenir que manchas frescas permanezcan en las telas.

### Para activar el ciclo Rinse+Spin (enjuague+centrifugado):


- 1 Apriete el botón ENCENDIDO/APAGADO para encender la lavadora.
- 2 Apriete el botón RINSE+SPIN (enjuague+centrifugado).
- 3 Apriete el botón INICIO/PAUSA.

### WASH/RINSE OPTIMIZER™

 Cette fonction permet d'ajuster le temps de lavage et de rinçage efficacement en vérifiant la quantité de détergent et le niveau de dureté de l'eau.

- 1 Quantité excessive de détergent : augmentation du cycle de rinçage.
- 2 Quantité insuffisante de détergent : augmentation du temps de lavage
- 3 Si une petite quantité de détergent restant est détectée, un rinçage supplémentaire sera ajouté.

### PRE-WASH

 Ajoute 16 min. pré-lessive et un cycle d'essorage.

## PROGRAMA PERSONALIZADO



El PROGRAMA PERSONALIZADO le permite guardar un ciclo de lavado personalizado para volver a usarlo. Le permite grabar la temperatura, velocidad de giro, nivel de suciedad y otras opciones según usted desee para un ciclo, y luego volver a usarlo con sólo presionar un botón.

### Para almacenar un Programa Personalizado:

- 1 Seleccione un ciclo.
- 2 Ajuste la Temperatura de Lavado/Enjuague, Velocidad de Giro y Nivel de Suciedad en la configuración deseada.
- 3 Ajuste cualquier otra opción deseada.
- 4 Presione y sostenga el botón CUSTOM PROGRSM (programa personalizado) durante 3 segundos. Escuchará dos pitidos que confirmarán que los ajustes fueron almacenados.

**IMPORTANTE:** Si presiona y sostiene el botón PROGRAMA PERSONALIZADO durante 3 segundos, sobrescribirá cualquier PROGRAMA PERSONALIZADO que haya almacenado previamente.

### Para volver a usar un Programa Personalizado:

- 1 Presione y suelte el botón PROGRAMA PERSONALIZADO. Visualizará los ajustes almacenados.
- 2 Presione y suelte el botón INICIO/PAUSA para comenzar el ciclo. La lavadora comenzará automáticamente.

## TUB CLEAN (LAVAR DE TONEL)



Puede ocurrir la acumulación de residuos de detergente en el lavadero después de algún tiempo, lo que puede causar un olor a humedad o moho. El ciclo TUB CLEAN (LAVAR DE TONEL) está especialmente diseñado para eliminar esta acumulación. La pantalla mostrará un mensaje de añadir blanqueador líquido en el cajón de depósito. Se seleccionará la opción de prelavado. Después que haya terminado el ciclo, abra la compuerta y permita que el interior del tambor se seque completamente.

Examine la sección Cuidado y limpieza del interior para obtener más información.

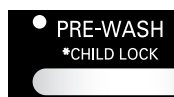
**NOTA:** NO use este ciclo con prendas, NI añada detergente o suavizante.

**NOTA:** Si utiliza el ciclo TUB CLEAN mensualmente, el tambor de lavado se mantendrá limpio.

## FUNCIONES SECUNDARIAS

Los botones de función especial también activan funciones secundarias, incluyendo CHILD LOCK (CERR.NIÑ), DRUM LIGHT (luz del tambor), y LANGUAGE (idioma). Apriete y mantenga apretado el botón de opción marcado con la función secundaria por 3 segundos para activar.

### CHILD LOCK (CERR.NIÑ)



Use esta función para prevenir el uso no deseado de la lavadora o para impedir cambiar los ajustes de un ciclo mientras la lavadora se encuentra en funcionamiento. Apriete y mantenga apretado el botón de PRE WASH (PRE LAVADO) por 3 segundos para activar o desactivar el CHILD LOCK (CERR.NIÑ).

Se mostrará CHILD LOCK (CERR.NIÑ) en la pantalla, y todos los controles permanecerán desactivados. Se puede bloquear a la lavadora durante un ciclo.

### DRUM LIGHT (luz del tambor)



El tambor está equipado con una luz LED azul que se enciende cuando se prende la lavadora. Esta luz se apaga automáticamente cuando se cierra la compuerta e inicia el ciclo. Para encender la luz durante un ciclo, apriete y mantenga apretado el botón TUB CLEAN (LAVAR DE TONEL) por 3 segundos. Se iluminará la luz del tambor y luego se apagará automáticamente después de 4 minutos.

# CÓMO USAR

## CICLOS DE CUIDADO ESPECIAL

### **ALLERGIENE™**

El ALLERGIENE™ es un ciclo poderoso y alto de la temperatura diseñado para reducir específicamente ciertos alérgenos.

- La selección del ciclo "ALLERGIENE™" automáticamente incorpora el vapor en el ciclo del lavado.
- El ciclo ALLERGIENE™ puede apreciablemente reducir alérgenos en el ropa de cama y la ropa.
- El ciclo ALLERGIENE™ ayuda a reducir a poblaciones de arado de polvo y ayuda a reducir alérgenos.
- Debido al uso de la alta energía y temperatura, el ciclo ALLERGIENE™ no es recomendado para la lana, la seda, el cuero, ni cualquier otro artículo delicado y sensibles a la temperatura.

### **LAVAR MANO / LANA**

- Sólo las prendas de lana marcadas como "apta para lavadora" deben lavarse en esta máquina.
- Lave sólo pequeñas cargas para un cuidado óptimo de las telas (menos de 8 libras).
- Sólo deben usarse detergentes neutrales (aptos para lana) (Sólo se necesita una pequeña cantidad de detergente debido al tamaño pequeño de carga y el bajo volumen de agua del ciclo).
- El ciclo HANDWASH/WOOL (LAVAR MANO / LANA) utiliza un secado delicado y un centrifugado de baja velocidad para un cuidado extremo de las telas.



WOOLMARK

El ciclo de lavado de lana de esta máquina ha sido aprobado por Woolmark para el lavado de productos Woolmark aptos para lavadoras siempre que tales productos se laven de acuerdo con las instrucciones de la etiqueta de la prenda y las emitidas por el fabricante de esta lavadora, M0807.



Certified by NSF  
Certificado por NSF

NSF International (formalmente La Base Nacional de Saneamiento) certifica el curso **SANITARIO**, cuyo objetivo es reducir 99,9% de bacterias, no se conservara a la proxima carga despues del ciclo en la lavadora

## LIMPIEZA REGULAR

### ⚠️ ADVERTENCIA:

- **Desenchufe la lavadora antes de limpiar la misma para evitar el riesgo de descargas eléctricas.** Si no se cumple con esta advertencia se podrán producir heridas graves, incendios, descargas eléctricas o muerte.
- **Al limpiar la lavadora nunca utilice químicos de corte, limpiadores abrasivos o solventes.** Los mismos dañarán su aspecto.

### *Limpieza del exterior*

El mantenimiento adecuado de su lavadora podría prolongar su vida útil. El exterior de la unidad puede limpiarse con agua tibia y un detergente de jabón medio, no abrasivo.

Limpie inmediatamente cualquier clase de fuga, con un trapo suave húmedo.

**IMPORTANTE:** No use alcohol desnaturalizado, disolventes o productos similares.

Nunca use limpiadores abrasivos o de lana metálica; pueden dañar la superficie.

### *Mantenimiento y limpieza del interior*

Use una toalla o trapo suave para pasar por la apertura de la compuerta de la lavadora, el burlete y/o la compuerta de vidrio. Estas áreas deben mantenerse limpias para asegurar la impermeabilidad. Asegúrese de limpiar debajo del sello de caucho interior para eliminar cualquier resto de humedad o suciedad.

Siempre remueva artículos de la lavadora tan pronto como se complete el ciclo. De lo contrario se podrían causar arrugas, transferencias de color y mal olor.

Ejecute el ciclo TUB CLEAN (lavar de tonel) regularmente para eliminar la acumulación de detergente y otros residuos.

Esta lavadora dispone de un ciclo especial, LIMPIEZA DE LA CUBETA, que elimina la acumulación interior de residuos de detergente que aparecen en la cubeta o el tambor de la lavadora provocando moho y olor a humedad.

Lea detenidamente estas instrucciones antes de iniciar el ciclo LIMPIEZA DE LA CUBETA.

- 1 Abra la puerta y retire cualquier prenda existente en el tambor de lavado.
- 2 Abra el compartimento del dispensador.
- 3 Añada lejía de cloro líquida o limpiador de cubetas. Pueden usarse algunos limpiadores de cubetas en polvo o pastillas fabricadas a tal efecto.  
(NOTA: no añada ningún detergente o suavizante para ropa al realizar la LIMPIEZA DE LA CUBETA).
  - **Si usa lejía de cloro líquida**  
Añada lejía de cloro líquida en el compartimento para lejía del dispensador.  
(NOTA: no rebase la línea de llenado máximo y no vierta lejía líquida sin diluir directamente dentro del tambor de lavado).
  - **Si usa limpiador en polvo**  
Retire el recipiente de detergente líquido y añada limpiador en polvo al compartimento de lavado principal del dispensador.
  - **Si usa limpiador en pastillas**  
Añada el limpiador en pastillas directamente al tambor de lavado.  
(NOTA: no añada limpiador en pastillas al dispensador).
- 4 Cierre el dispensador y la puerta de la lavadora.
- 5 Escoja el programa LIMPIEZA DE LA CUBETA (TUB CLEAN) y pulse INICIO.

**NOTA :** Se recomienda usar el programa de LIMPIEZA DE LA CUBETA una vez al mes.

Si ya se hubiera formado moho o se percibiese olor a humedad, ejecute el programa de LIMPIEZA DE LA CUBETA semanalmente durante 3 semanas. Una vez completado el programa de LIMPIEZA DE LA CUBETA o cuando la lavadora no vaya a usarse, deje la puerta de la máquina abierta para lograr una ventilación y un secado interior óptimo.

# MANTENIMIENTO Y LIMPIEZA

## LIMPIEZA REGULAR (cont.)

### *Limpieza de las boquillas de circulación de vapor y agua*

Utilice un hisopo de algodón para eliminar los depósitos de calcio o acumulación de detergente del interior de las boquillas de circulación de agua y vapor. **NUNCA** use un objeto filoso o puntiagudo; podría dañar las boquillas.

### *Eliminación de suciedad de la junta de la puerta*

**NOTA:** Equípese con guantes de goma y protección ocular para llevar a cabo el siguiente procedimiento:

- 1 Diluya 3/4 tazas (177 ml) de lejía de cloro líquida con 1 galón (3,8 l) de agua templada/caliente.
- 2 Use esta solución para limpiar todas las superficies de la junta y eliminar los depósitos causantes del olor. (Asegúrese de doblar hacia atrás el borde de la junta para acceder a la parte interior del mismo, donde pueden acumularse residuos).
- 3 Limpie la junta con un paño seco.
- 4 Deje la puerta abierta para permitir que la junta se seque por completo.

No use lejía sin diluir o dañará la junta.

Cumpla las instrucciones del fabricante para usar la lejía de forma adecuada.

Si la junta no puede limpiarse correctamente, debe ser reemplazada.

### *Almacenamiento de la lavadora*

Si no se utilizará la lavadora por un período prolongado de tiempo y se encuentra en un área que puede estar expuesta a temperaturas de congelamiento:

- 1 Cierre la llave de suministro de agua.
- 2 Desconecte las mangueras del suministro de agua y drene el agua de las mangueras.
- 3 Conecte el cable eléctrico a un tomacorriente conectado a tierra correctamente.
- 4 Añada 3,8 litros de anticongelante para vehículo recreacional en el tambor vacío de la lavadora. Cierre la compuerta.
- 5 Seleccione el ciclo de centrifugado y deje que la lavadora centrifugue por 1 minuto para drenar el agua.

**NOTA:** NO todo el anticongelante para vehículo recreacional será expulsado.

- 6 Desconecte el cable eléctrico, seque el interior del tambor con un trapo suave, y cierre la compuerta.
- 7 Quite los insertos del depósito. Drene cualquier resto de agua en los compartimientos y séquelos.
- 8 Almacene la lavadora en posición vertical.
- 9 Para eliminar el anticongelante de la lavadora después del almacenamiento, active la lavadora por un ciclo completo utilizando detergente. **¡No añada prendas para lavar!**

### *Eliminación de la acumulación de cal*

Si vive en un área con agua dura, se pueden formar depósitos calcáreos a partir de los componentes internos de la lavadora. Se recomienda el uso de ablandador de agua en áreas con agua dura. Si se utiliza un desincrustante, asegúrese de que sea el adecuado para usar con una lavadora, y active el ciclo TUB CLEAN (lavar de tonel) antes de lavar prendas.

Se pueden eliminar los depósitos calcáreos y otras manchas del tambor de acero inoxidable utilizando un limpiador para acero inoxidable. NO use lana de acero ni limpiadores abrasivos; pueden dañar la superficie.

### *Nettoyage de la cuve activé*

Pour nettoyer la cuve, sélectionner la fonction de nettoyage de la cuve. Une fois le lavage terminé, retirer le linge et appuyer sur le bouton « tub clean » (nettoyage de la cuve).

### *Porte ouverte recommandée*

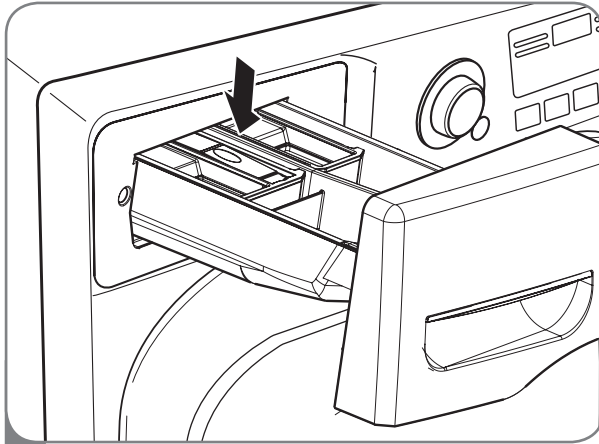
Il est recommandé de laisser la porte ouverte après avoir lavé le linge afin de garder la cuve propre.

# MANTENIMIENTO Y LIMPIEZA

## LIMPIEZA DE LA LAVADORA

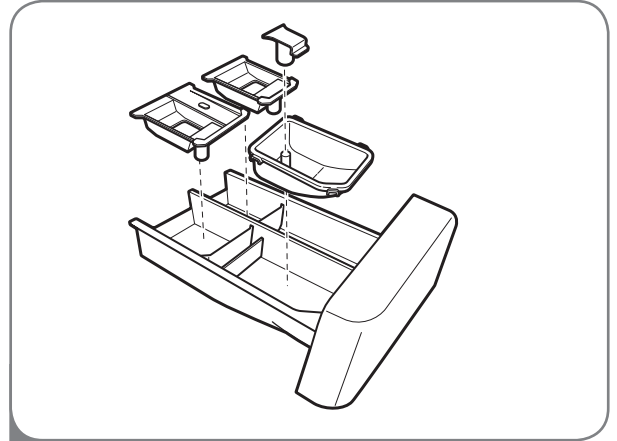
### *Limpieza del depósito*

Se debe limpiar el depósito periódicamente para eliminar la acumulación de detergente y otros productos de lavandería.



- 1 Tire del cajón de depósito hasta que se detenga. Apriete el botón en el centro del cajón tire para quitar el cajón.

**NOTA:** Si limpia el dispensador de detergente semanalmente, siempre lo dispensará correctamente.



- 2 Quite los insertos del cajón, y límpielos con agua caliente y un trapo o cepillo suaves para eliminar cualquier residuo o acumulación.

Limpie el interior de la apertura del cajón con un trapo húmedo. Vuelva a montar el cajón y reinstale la apertura del mismo.

**NOTA:** No use ninguna otra cosa que no sea agua caliente para limpiar el cajón, insertos y aperturas del mismo. Si cualquier tipo de limpiador del hogar drena al interior de la lavadora, ejecute un ciclo RINSE+SPIN (enjuague+centrifugado) antes de guardar ropas.

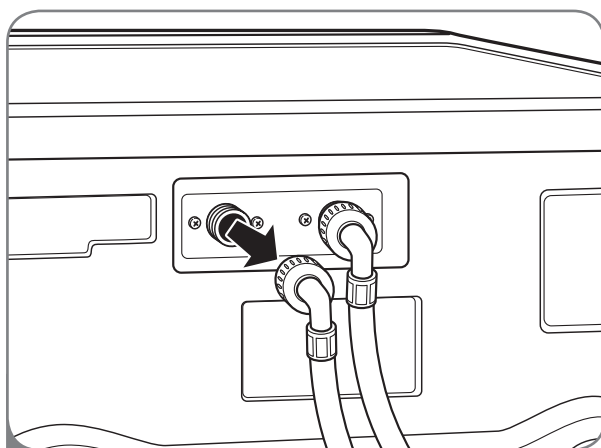
# MANTENIMIENTO Y LIMPIEZA

## MANTENIMIENTO

### *Limpieza de los filtros de entrada de agua*

Si la lavadora detecta que el agua no está ingresando al cajón de depósito, se mostrará un mensaje de error en la pantalla. Si vive en una zona de agua dura, esto puede ser el motivo del taponamiento de los filtros de entrada.

**IMPORTANTE:** Ponga mucho cuidado al quitar y limpiar los filtros. Si no se pueden limpiar los filtros o están dañados, **NO** ponga en funcionamiento la lavadora sin los filtros de entrada. Póngase en contacto con el Departamento de Atención al Cliente de LG o llame a un técnico de mantenimiento calificado de LG.



- 1 Cierre ambas llaves de agua completamente. Desatornille las tuberías de agua caliente y fría de la parte posterior de la lavadora.

**IMPORTANTE:** Usar **SOLAMENTE** las mangueras de la entrada proporcionadas por LG de este producto del lavadero. Las mangueras del mercado de accesorios no están garantizadas para caber o para funcionar correctamente. Otras mangueras pueden no apretar correctamente y podrían causar los escapes. El daños subsecuente al producto o a la propiedad no serán cubiertos de conformidad con la garantía de LG.



- 2 Quite cuidadosamente los filtros de las entradas de agua, luego remójelas en vinagre blanco o un eliminador de depósitos calcáreos, siguiendo las instrucciones del fabricante. Enjuague profundamente antes de reinstalar.

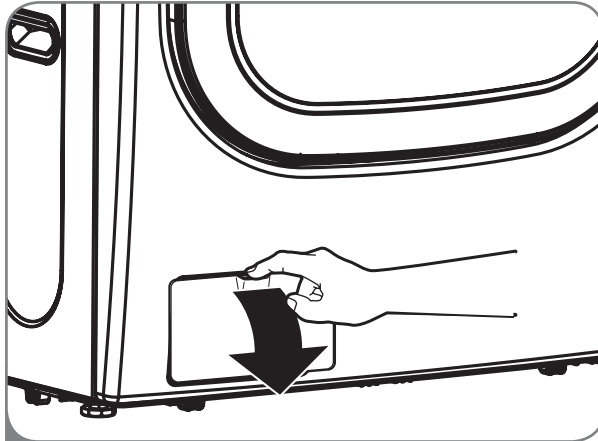
Apriete los filtros nuevamente en su lugar y vuelva a conectar las tuberías de agua. **NO** ponga en funcionamiento la lavadora sin los filtros de entrada.

# MANTENIMIENTO Y LIMPIEZA

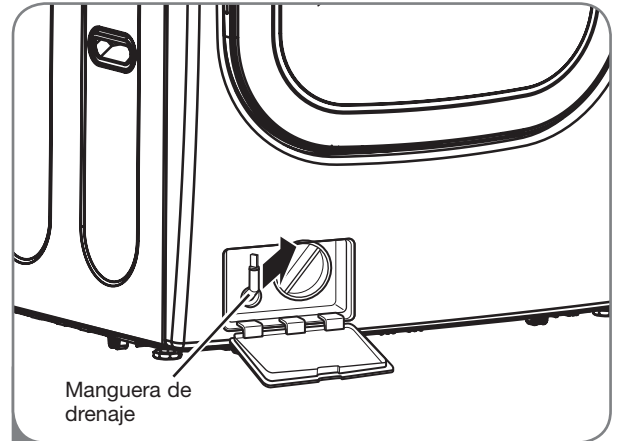
## MANTENIMIENTO (cont.)

### *Limpieza del filtro de la bomba de drenaje*

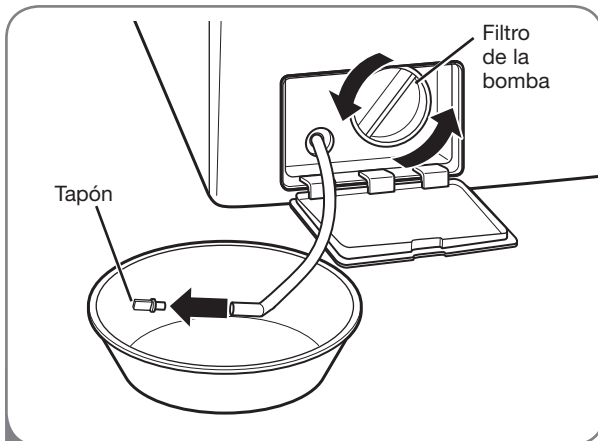
Se pueden acumular pelusas y otros objetos y taponar el filtro de la bomba de drenaje. Si la lavadora no drena adecuadamente, desconéctela y deje enfriar el agua, de ser necesario, antes de continuar.



- 1 Abra el filtro del panel de acceso de la bomba de desagüe.



- 2 Desenganche la manguera de drenaje y tírela hacia fuera. Coloque el extremo de la manguera de drenaje en una cacerola, balde, o drenaje de piso para recoger el agua.



- 3 Quite el tapón de la manguera de drenaje, y deje que el agua drene completamente. Gire el filtro de la bomba en sentido contrario a las agujas del reloj para quitarlo. Quite cualquier depósito de pelusa o objetos extraños del filtro de la bomba. Siga las indicaciones anteriores (pero a la inversa) para reinstalar el filtro de la bomba de drenaje y la manguera de drenaje. Asegúrese de cerrar el panel de cubierta cuando haya terminado.

# RESOLUCIÓN DE PROBLEMAS

## SONIDOS NORMALES QUE PODRÍA ESCUCHAR

Se pueden escuchar los siguientes sonidos mientras la lavadora se encuentra en funcionamiento. Son normales.

### Chasquido:

El seguro de la compuerta se vuelve a colocar cuando la misma se cierra y abre.

### Sonido de chorro o sibilante:

Vapor o chorro de agua o en circulación durante el ciclo.

### Zumbido o gorgoteo:


La bomba de drenaje bombea agua de la lavadora al final de un ciclo.

### Salpicadura:

Las prendas dan vueltas en el tambor durante los ciclos de lavado y enjuague.


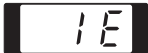

## ANTES DE LLAMAR A MANTENIMIENTO

Su Steam Washer™ está equipada con un sistema de monitoreo de error automático para la detección y el diagnóstico de problemas en una etapa temprana. Si su lavadora no funciona adecuadamente o no funciona del todo, revise lo siguiente antes de llamar a mantenimiento.

Problema	Causas posibles	Soluciones
<b>Ruidos de traqueteo</b>	<ul style="list-style-type: none"><li>Objetos extraños, tales como llaves, monedas, o imperdibles, pueden encontrarse en el tambor o bomba.</li></ul>	<ul style="list-style-type: none"><li>Detenga la lavadora y revise que no se encuentren objetos extraños en el tambor y el filtro de drenaje. Si el ruido continúa después de que se vuelva a encender la lavadora, llame a mantenimiento.</li></ul>
<b>Sonido de golpes</b>	<ul style="list-style-type: none"><li>Las cargas pesadas pueden producir sonidos de golpes.</li><li>La lavadora podría estar desbalanceada.</li></ul>	<ul style="list-style-type: none"><li>Esto es normal. Si el sonido continúa, la lavadora probablemente está desbalanceada. Detenga la lavadora y vuelva a distribuir la carga de lavado.</li><li>Detenga la lavadora y vuelva a distribuir la carga de lavado.</li></ul>
<b>Ruido de vibración</b>	<ul style="list-style-type: none"><li>No se han quitado los pernos y/o los materiales de embalaje.</li><li>La carga de lavado podría estar distribuida de manera desigual en el tambor.</li><li>No todas las patas niveladoras se encuentran apoyadas firmemente en el piso.</li><li>El piso no es lo suficientemente rígido.</li></ul>	<ul style="list-style-type: none"><li>Vea las Instrucciones de instalación para referirse a cómo quitar los pernos de embalaje y el embalaje.</li><li>Detenga la lavadora y vuelva a distribuir la carga de lavado.</li><li>Ajuste las patas niveladoras. Asegúrese de que las cuatro patas se encuentren haciendo contacto firme con el piso mientras la lavadora se encuentra en el ciclo de centrifugado con una carga.</li><li>Asegúrese que el piso es sólido y no flexiona. Refiérase a la sección de <i>instalación</i> "Piso".</li></ul>
<b>Fugas de agua alrededor de la lavadora</b>	<ul style="list-style-type: none"><li>La conexión de la manguera de llenado está floja en la llave o en la lavadora.</li><li>Las tuberías de drenaje del hogar están taponadas.</li></ul>	<ul style="list-style-type: none"><li>Revise las mangueras. Revise y ajuste las conexiones de la manguera.</li><li>Destape la tubería de drenaje. Póngase en contacto con un plomero de ser necesario.</li></ul>
<b>Cantidades excesivas de espuma</b>	<ul style="list-style-type: none"><li>Demasiado detergente o detergente incorrecto.</li></ul>	<ul style="list-style-type: none"><li>Reduzca la cantidad de detergente o utilice detergente con baja producción de espuma.</li></ul> <p> Utilice detergente que porta el logotipo HE (Alta eficiencia) únicamente.</p>


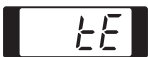


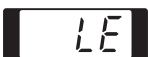

# RESOLUCIÓN DE PROBLEMAS

## ANTES DE LLAMAR A MANTENIMIENTO (cont.)

Problema	Causas posibles	Soluciones
<p><b>El agua en la lavadora drena demasiado lento o no drena, o la pantalla muestra:</b></p> 	<ul style="list-style-type: none"> <li>La manguera de drenaje está doblada, apretada o taponada.</li> <li>El filtro de drenaje está taponado.</li> </ul>	<ul style="list-style-type: none"> <li>Asegúrese de que la manguera de drenaje esté libre de taponamientos, dobladuras, etc., y no está apretada debajo de la lavadora.</li> <li>Limpie el filtro de drenaje. Vea la sección de <i>Mantenimiento y limpieza</i>.</li> </ul>
<p><b>La lavadora se llena con agua lentamente o no se llena del todo, o la pantalla muestra:</b></p> 	<ul style="list-style-type: none"> <li>Las llaves de agua no están completamente abiertas.</li> <li>Las mangueras de la tubería de agua están curvadas, apretadas o dobladas.</li> <li>Los filtros de la entrada de agua están taponados.</li> <li>La presión de agua hacia la llave u hogar es muy baja.</li> </ul>	<ul style="list-style-type: none"> <li>Asegúrese de que las llaves de agua están abiertas completamente.</li> <li>Asegúrese de que las mangueras de agua no están agarradas o curvadas. Tenga cuidado al transportar la lavadora.</li> <li>Limpie los filtros de entrada. Vea la sección de <i>Mantenimiento y limpieza</i>.</li> <li>Revise otra llave en el hogar para asegurar que la presión de agua del hogar es adecuada.</li> </ul>
<p><b>La lavadora no se enciende</b></p>	<ul style="list-style-type: none"> <li>El cable eléctrico no está enchufado adecuadamente.</li> <li>El fusible del hogar está quemado, el cortacircuitos se ha accionado, o ha ocurrido una interrupción eléctrica.</li> </ul>	<ul style="list-style-type: none"> <li>Asegúrese de que el enchufe está conectado de manera segura a un tomacorriente de 3 patas, con conexión a tierra de 120 V AC, 60 Hz.</li> <li>Reactive el disyuntor o cambie el fusible. No aumente la capacidad del fusible. Si el problema se debe a una sobrecarga de circuito, pida a un electricista calificado que solucione el problema.</li> </ul>
<p><b>Si la lavadora no centrifuga, o el mensaje indica:</b></p> 	<ul style="list-style-type: none"> <li>La compuerta no está cerrada adecuadamente.</li> </ul>	<ul style="list-style-type: none"> <li>Asegúrese de que la compuerta está adecuadamente cerrada y apriete el botón INICIO/PAUSA. Después de iniciar un ciclo, puede demorar algunos momentos antes que el tambor empiece a girar o centrifugar. La lavadora no centrifuga a menos que la compuerta esté cerrada (el mensaje DOOR LOCK (seguro de la compuerta) aparecerá en la pantalla).</li> <li>Si la compuerta está cerrada y asegurada y se muestra el mensaje de error de compuerta abierta, llame a mantenimiento.</li> </ul>
<p><b>La compuerta no se abre cuando se ha detenido o pausado el ciclo</b></p>	<ul style="list-style-type: none"> <li>La temperatura interior de la lavadora es demasiado elevada</li> <li>El nivel del agua en la lavadora es demasiado alto.</li> </ul>	<ul style="list-style-type: none"> <li>La compuerta de la lavadora dispone de un seguro para prevenir quemaduras. Deje que la lavadora se enfríe hasta que el indicador del DOOR LOCK (seguro de la compuerta) se apague en la pantalla.</li> <li>Deje que la lavadora complete el ciclo programado, o ejecute el ciclo DRAIN &amp; SPIN (drenaje/centrifugado) para drenar el agua.</li> </ul>
<p><b>El tiempo de ciclo de lavado toma más tiempo de lo normal</b></p>	<ul style="list-style-type: none"> <li>La lavadora programa automáticamente el tiempo de lavado según la cantidad de prendas de lavado, presión del agua, temperatura del agua y otras condiciones de funcionamiento.</li> </ul>	<ul style="list-style-type: none"> <li>Esto es normal. La lavadora programa automáticamente el ciclo de tiempo para brindar resultados óptimos para el ciclo seleccionado.</li> </ul>
<p><b>Olor a humedad o moho en la lavadora</b></p>	<ul style="list-style-type: none"> <li>Se ha utilizado demasiado detergente o el detergente incorrecto.</li> <li>El interior del lavadero no se ha limpiado adecuadamente.</li> </ul>	<ul style="list-style-type: none"> <li>Utilice detergente de alta eficiencia HE (High-Efficiency) únicamente, según las instrucciones del fabricante.</li> <li>Active el ciclo TUB CLEAN (limpieza de tubo) de manera regular. Asegúrese de limpiar alrededor y debajo del sello de la compuerta con frecuencia.</li> <li>Limpie alrededor del sellado/vidrio de la puerta para evitar olores o moho: <ol style="list-style-type: none"> <li>Seque con un paño el sellado/vidrio de la puerta y el área de apertura de la puerta.</li> <li>Limpie alrededor del tambor interno/sellado de la puerta y el sellado inferior de la puerta.</li> </ol> </li> </ul>
<p><b>El vapor no es visible durante el ciclo de STEAM (vapor)</b></p>	<ul style="list-style-type: none"> <li>Esto es normal.</li> </ul>	<ul style="list-style-type: none"> <li>Debido a que requiere vapor presurizado, la lavadora requiere volúmenes muy pequeños de vapor para lograr resultados óptimos. El exceso de vapor podría dañar las telas y reducir eficiencia.</li> </ul>

# RESOLUCIÓN DE PROBLEMAS

## ANTES DE LLAMAR A MANTENIMIENTO (cont.)

Problema	Causas posibles	Soluciones
<b>Prendas arrugadas</b>	<ul style="list-style-type: none"> <li>No ha descargado la lavadora con rapidez.</li> <li>Ha sobrecargado la lavadora.</li> <li>Las mangueras de agua han sido invertidas de entrada.</li> </ul>	<ul style="list-style-type: none"> <li>Siempre remueva artículos de la lavadora tan pronto termine el ciclo.</li> <li>Se puede cargar la lavadora completamente, pero el tambor no puede quedar colmado de prendas. La compuerta de la lavadora deberá cerrar con facilidad.</li> <li>El ciclo de enjuague con agua caliente puede aumentar las arrugas. Verifique la conexión de las mangueras.</li> </ul>
<b>La luz del tambor no permanece encendida</b>	<ul style="list-style-type: none"> <li>Esto es normal.</li> </ul>	<ul style="list-style-type: none"> <li>La luz del tambor se apaga automáticamente cuando se inicia la lavadora. Apriete y mantenga apretado el botón RINSE+SPIN (enjuague+centrifugado) por 3 segundos para encender la luz; se apagará automáticamente después de 4 minutos.</li> </ul>
<b>El monitor de remoto de lavado (accesorio opcional) no está funcionando correctamente</b>	<ul style="list-style-type: none"> <li>Consulte el manual de instrucciones del Monitor remoto de lavado.</li> </ul>	<ul style="list-style-type: none"> <li>Consulte el manual de instrucciones del Monitor remoto de lavandería.</li> </ul>
<b>La pantalla muestra:</b> 	<ul style="list-style-type: none"> <li>La carga es demasiado pequeña.</li> <li>La carga está desbalanceada.</li> <li>La lavadora cuenta con un sistema de detección y corrección de desbalances. Si se cargan artículos pesados individuales (alfombra de baño, bata de baño, etc.) y hay demasiado desbalance, la lavadora realizará algunos intentos para reiniciar el ciclo de centrifugado. Si aún se detecta desbalance, la lavadora se detendrá y se mostrará el código de error.</li> </ul>	<ul style="list-style-type: none"> <li>Añada 1 ó 2 prendas similares para ayudar a balancear la carga.</li> <li>Vuelva a acomodar las prendas para ayudar a balancear la carga.</li> </ul>
<b>La pantalla muestra:</b> 	<ul style="list-style-type: none"> <li>Error de control.</li> </ul>	<ul style="list-style-type: none"> <li>Desconecte la lavadora y llame a mantenimiento.</li> </ul>
<b>La pantalla muestra:</b> 	<ul style="list-style-type: none"> <li>El nivel del agua es demasiado alto debido a una válvula de agua con falla.</li> </ul>	<ul style="list-style-type: none"> <li>Cierre las llaves de agua, desconecte la lavadora, y llame a mantenimiento.</li> </ul>
<b>La pantalla muestra:</b> 	<ul style="list-style-type: none"> <li>El sensor de nivel del agua no está funcionando correctamente.</li> </ul>	<ul style="list-style-type: none"> <li>Cierre las llaves de agua, desconecte la lavadora, y llame a mantenimiento.</li> </ul>
<b>La pantalla muestra:</b> 	<ul style="list-style-type: none"> <li>El circuito de protección termal de carga en el motor se ha activado.</li> </ul>	<ul style="list-style-type: none"> <li>Deje la lavadora en espera por 30 minutos para permitir que se enfríe el motor; luego reinicie el ciclo. Si aparece el código de error LE, desenchufe la lavadora y llame a mantenimiento.</li> </ul>
<b>La pantalla muestra:</b> 	<ul style="list-style-type: none"> <li>Ha ocurrido un corte de corriente.</li> </ul>	<ul style="list-style-type: none"> <li>Reinicie el ciclo.</li> </ul>

# ESPECIFICACIONES/ACCESORIOS OPCIONALES

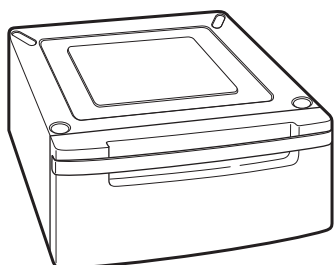
## DIMENSIONES Y ESPECIFICACIONES CLAVE

El aspecto y las especificaciones enumeradas en esta guía podrían variar debido a mejoras constantes del producto.

Steam Washer™ Modelo WM2801H*A	
<b>Descripción</b>	Lavadora de carga frontal
<b>Requisitos eléctricos</b>	120 V CA a 60 Hz.
<b>Presión de agua máx.</b>	14,5~116 libras por pulgada cuadrada (100~800 kPa)
<b>Dimensiones</b>	68,6 cm (anchura) X 75,6 cm (prof.) X 98,3 cm (altura), 129,7 cm (profundidad con la compuerta abierta) 27" (anchura) X 29 <sup>3</sup> / <sub>4</sub> " (prof.) X 38 <sup>11</sup> / <sub>16</sub> " (altura), 51" (profundidad con la compuerta abierta)
<b>Peso neto</b>	94,6 Kg (208,6 libras)
<b>Velocidad de centrifugado máx.</b>	1.300 r.p.m.

## ACCESORIOS OPCIONALES

Para estos y otros productos LG, llame a su distribuidor LG local, o visite nuestro sitio Web en [us.lge.com](http://us.lge.com).



### **Pedestal**

Incremente el desempeño de su lavadora LG con los pedestales de 35,5 centímetros (14 pulgadas) de alto correspondientes. Proveen un cajón de almacenamiento para brindar mayor comodidad.

<b>Pedestal 14"</b>	<b>Color</b>
WDP3W	blanco
WDP3R	rojo de cereza salvaje
WDP3L	Azul RIVIERA



### **Kit de apilado**

Si no se dispone de espacio, utilice este kit para apilar de manera segura su lavadora de carga frontal y secadora LG.

<b>Kit de abrazadera</b>	<b>Color</b>
WSTK1	blanco
RSTK1	rojo de cereza salvaje
NSTK1	Azul RIVIERA

# LG ELECTRONICS, INC. GARANTÍA LIMITADA DE LA LAVADORA LG – EE. UU.



Su máquina lavadora LG será reparada o reemplazada, a discreción de LG, si se comprueba que existe un defecto en el material o la mano de obra bajo condiciones de uso normales, durante el período de garantía (“Período de garantía”) establecido más abajo, vigente desde la fecha (“Fecha de compra”) de la compra del cliente original de producto. Esta garantía es válida únicamente para el comprador original del producto y cuando se usa en EE. UU., incluyendo Alaska, Hawaii, y los territorios de los EE. UU., exclusivamente.

## PERÍODO DE GARANTÍA:

**MANO DE OBRA:** Un año desde la Fecha de compra.

**PIEZAS (excepto como se indica más abajo):** Un año desde la Fecha de compra.

**Tablero electrónico de control:** Dos años desde la Fecha de compra.

**motor del tambor (Estator, Rotor, Sensor de Pasillo):** Diez años desde la Fecha de compra.

**Tambor de acero inoxidable:** Para toda la vida.

Las unidades de reemplazo y piezas de reparación podrían ser nuevas o refabricadas.

Las unidades de reemplazo o piezas de reparación están garantizadas por la porción restante del período de garantía de la unidad original.

## CÓMO SE ADMINISTRA EL MANTENIMIENTO:

### Mantenimiento en el hogar “In-Home”:

Guarde la factura fechada del distribuidor o la boleta de entrega como evidencia de la Fecha de compra como prueba para la garantía, y entregue una copia de la factura al técnico de mantenimiento al momento que se presta el mantenimiento.

**Llame al 1-800-243-0000 y escoja la opción adecuada para ubicar a su Centro de Mantenimiento Autorizado LG más cercano.**

O visite nuestro sitio Web en: <http://www.lgservice.com>.

**ESTA GARANTÍA REEMPLAZA CUALQUIER OTRA, EXPRESA O IMPLÍCITA, INCLUYENDO SIN LIMITACIÓN, CUALQUIER GARANTÍA DE COMERCIALIZACIÓN O ADECUACIÓN PARA UN PROPÓSITO DETERMINADO. EN LA MEDIDA REQUERIDA POR LA LEY, CUALQUIER GARANTÍA IMPLÍCITA SE LIMITA EN SU VIGENCIA AL PERÍODO DE GARANTÍA EXPRESA INDICADO MÁS ARRIBA. NI EL FABRICANTE NI EL DISTRIBUIDOR DE LOS EE. UU. SERÁN RESPONSABLES POR DAÑOS INCIDENTALES, CONSECUENCIALES, INDIRECTOS, ESPECIALES O PUNITIVOS DE CUALQUIER NATURALEZA INCLUYENDO SIN LIMITACIÓN, PÉRDIDA DE GANANCIAS O INGRESOS, O CUALQUIER OTRA CLASE DE DAÑOS, CONTRACTUALES, EXTRA CONTRACTUALES, O DE CUALQUIER TIPO.** Algunos estados no permiten la exclusión o limitación de daños incidentales o consecuenciales o limitación en la duración de una garantía implícita, de modo que la exclusión o limitación indicada anteriormente podría no aplicar en su caso. Esta garantía le brinda derechos legales específicos y podría también tener otros derechos que varían según el estado.

### ESTA GARANTÍA LIMITADA NO APLICA A:

- Viajes de mantenimiento desde su hogar para entrega, recepción y/o instalación del producto, instrucción o reemplazo de fusibles del hogar o cableado adecuado o corrección de reparaciones no autorizadas.
- Los daños o problemas operativos que resulten de la negligencia en el uso, el abuso, el funcionamiento fuera de las especificaciones medioambientales o inconsistentes con los requisitos de precauciones establecidos en la Guía de funcionamiento, accidente, insectos, incendio, inundación, instalación inadecuada, casos de fuerza mayor, modificación o alteración no autorizada, corriente o voltaje incorrectos, o uso comercial, o uso diferente al indicado.

El costo de reparación o reemplazo bajo estas circunstancias excluidas será responsabilidad del cliente.

### NÚMEROS DE CENTROS INTERACTIVOS DE CLIENTE

**Para obtener Asistencia para el cliente, información del producto o mantenimiento o distribuidor autorizado:**

**Llame al 1-800-243-0000** (24 horas al día, 365 días al año), y seleccione la opción adecuada a partir del menú.

**O visite nuestro sitio Web en: <http://www.lgservice.com>.**

### PARA CONTACTAR A LG ELECTRONICS POR CORREO:

LG Customer Interactive Center  
P. O. Box 240007  
201 James Record Road  
Huntsville, Alabama 35824  
ATTN: CIC



# INTRODUCTION

## INSTRUCTIONS IMPORTANTES DE SÉCURITÉ

Précautions de sécurité de base ..... 75-78

## PIÈCES ET CARACTÉRISTIQUES

Caractéristiques spéciales ..... 79

Composantes et pièces principales ..... 80

## INSTRUCTIONS DE L'INSTALLATION

Choisir le bon emplacement ..... 81

Dégagements ..... 81

Revêtement de sol ..... 82

Installations avec base piédestal

ou trousse d'empilage en option..... 82

Déballage et retrait des boulons d'expédition..... 83

Raccordement des conduites d'eau ..... 84

Raccordement du tuyau de vidange ..... 85

Mise à niveau de la machine à laver ..... 86

## MODE D'EMPLOI

Triage des brassées ..... 87

Sélection du détergent ..... 88

À propos du distributeur ..... 88

Chargement du distributeur ..... 89

Caractéristiques du panneau de commande ..... 90

Guide de cycle ..... 91

Afficheur ACL ..... 92

Utilisation de la machine à laver ..... 93

Cycles de vaporisation ..... 94

Boutons de configuration de cycle ..... 95

Boutons de fonctions spéciales ..... 96

Programme personnalisé ..... 97

Fonctions secondaires ..... 97

Cycles d'entretien spéciales..... 98

## ENTRETIEN ET NETTOYAGE

Nettoyage régulier ..... 99-100

Nettoyage de la machine à laver ..... 101

Entretien ..... 102-103

## DÉPANNAGE

Sons normaux que vous pourriez entendre ..... 104

Avant d'appeler le service ..... 104-106

## SPÉCIFICATIONS/ACCESSOIRES EN OPTION

Spécifications et dimensions principales ..... 107

Accessoires en option ..... 107

## GARANTIE ..... 108

## MERCI !

Félicitations pour votre achat et  
bienvenue dans la famille LG.

Votre nouvelle machine à laver  
LG Steam Washer<sup>MC</sup> associe la tech-  
nologie de lavage la plus avancée à  
un fonctionnement

simple et une efficacité supérieure.

Si vous suivez les consignes  
d'utilisation et d'entretien de ce  
manuel, votre machine à laver vous  
assurera de nombreuses années de  
service fiable.

### *Information relative à l'enregistrement du produit*

Modèle :

Numéro de série :

Date d'achat :

Le modèle et le numéro de série se trouvent sur la  
plaque signalétique à l'arrière de l'appareil.

# INSTRUCTIONS IMPORTANTES DE SÉCURITÉ

## LISEZ TOUTES LES DIRECTIVES AVANT D'UTILISER L'APPAREIL

**⚠️ AVERTISSEMENT** Pour votre sécurité, vous devez suivre l'information contenue dans ce manuel afin de réduire les risques d'incendie et d'explosion, de choc électrique ainsi que pour éviter les dommages matériels, les blessures corporelles ou un décès.

### Votre sécurité et la sécurité des autres sont très importantes.

Ce manuel contient de nombreux messages relatifs à la sécurité et à votre appareil.

Lisez toujours et suivez toujours toutes les instructions relatives à votre sécurité.



C'est le symbole d'alerte à la sécurité.

Ce symbole vous alerte de dangers potentiels qui peuvent vous tuer ou vous blesser ou tuer ou blesser d'autres personnes. Tous les messages relatifs à la sécurité suivent le symbole d'alerte à la sécurité et le mot DANGER ou AVERTISSEMENT.

Ces mots signifient :

**⚠️ DANGER :** Vous pouvez être tué ou gravement blessé si vous ne suivez pas immédiatement les instructions.

**⚠️ AVERTISSEMENT :** Vous pouvez être tué ou gravement blessé si vous ne suivez pas les instructions.

Tous les messages relatifs à la sécurité vous diront la nature du danger potentiel, comment réduire le risque de blessure et ce qui peut se produire si vous ne suivez pas les instructions.

# INSTRUCTIONS IMPORTANTES DE SÉCURITÉ

**⚠ AVERTISSEMENT** Pour votre sécurité, vous devez suivre l'information contenue dans ce manuel afin de réduire les risques d'incendie et d'explosion, de choc électrique ainsi que pour éviter les dommages matériels, les blessures corporelles ou un décès.

## PRÉCAUTIONS DE SÉCURITÉ DE BASE

**⚠ AVERTISSEMENT :** Pour réduire les risques d'incendie, de choc électrique, ou des blessures corporelles en utilisant des électroménagers, vous devez toujours suivre les précautions de base, y compris ce qui suit.

- Avant de l'utiliser, la machine à laver doit être installée correctement conformément aux directives données dans ce manuel.
- Ne lavez aucun article qui aurait précédemment été nettoyé, lavé ou trempé dans de l'essence, des solvants pour nettoyage à sec ou toute autre substance inflammable ou explosive non plus que tout article qui présenterait des taches de ces substances car les vapeurs qui s'en dégagent pourraient s'enflammer ou exploser.
- N'ajoutez aucune essence, solvants pour nettoyage à sec ou autres substances inflammables ou explosives à l'eau de lavage. Ces substances pourraient dégager des vapeurs qui risquent de s'enflammer ou d'exploser.
- Dans certaines conditions, une certaine quantité d'hydrogène peut être produite par un système à eau chaude qui n'a pas été utilisé pendant 2 semaines ou plus. L'HYDROGÈNE EST UN GAZ EXPLOSIF. Si le système à eau chaude n'a pas été utilisé pendant une telle période, avant de faire fonctionner la machine à laver, faites couler tous les robinets d'eau chaude pendant plusieurs minutes. Cette technique libérera tout hydrogène accumulé. Comme ce gaz est inflammable, ne fumez pas et n'utilisez aucune flamme nue pendant ce temps.
- Ne laissez pas les enfants jouer dans la machine à laver ou sur celle-ci. Vous devez les superviser de près lorsque vous utilisez la machine à laver à proximité.
- Avant d'inutiliser ou de mettre la machine à laver au rebut, retirez-en la porte pour empêcher les enfants d'y pénétrer.
- N'installez pas et n'entreposez pas la machine à laver dans un endroit où elle serait exposée aux intempéries ou au gel.
- Ne modifiez pas les commandes.
- Ne réparez pas et ne remplacez aucune des pièces de la machine à laver à l'exception de ce qui est décrit dans ce manuel. De plus, n'effectuez que l'entretien décrit. Nous vous recommandons fortement de faire effectuer toute réparation par un technicien qualifié.
- Consultez les directives d'installation pour les exigences de mise à la terre.
- Suivez TOUJOURS les directives d'entretien des tissus fournies par le fabricant du vêtement.
- Ne placez pas les articles exposés à de l'huile de cuisson dans votre machine à laver. Des vêtements contaminés aux huiles de cuisson peuvent entraîner une réaction chimique qui pourrait faire enflammer une brassée.
- Utilisez les assouplisseurs ou produits pour éliminer la statique uniquement tel que recommandé par le fabricant.
- Cette machine à laver n'est pas conçue pour une utilisation maritime ou pour installations mobiles comme dans un véhicule récréatif, un avion, etc.
- Fermez les robinets si la machine à laver doit être laissée pendant une période étendue, comme durant vos vacances.
- N'utilisez pas de cycle avec chaleur pour sécher des articles qui comportent du caoutchouc mousse, plastique ou tout autre matière similaire à du caoutchouc.
- Les matériaux d'emballage peuvent être dangereux pour les enfants. Ils présentent un risque de suffocation ! Conservez tous les matériaux d'emballage hors de portée des enfants.
- Vérifiez toujours l'intérieur de la machine à laver pour y repérer tout corps étranger avant de charger une brassée de lessive. Gardez la porte fermée lorsque vous ne l'utilisez pas.

## INSTRUCTIONS DE MISE À LA TERRE

Cet appareil doit être raccordé à la terre. Dans l'éventualité d'un dysfonctionnement ou d'une panne, la mise à la terre réduira le risque de choc électrique en fournissant au courant électrique un chemin de moindre résistance. Cet appareil est équipé d'un cordon, muni d'un conducteur de mise à la terre de l'appareil et d'une fiche de mise à la terre. La fiche doit être branchée dans une prise appropriée, elle-même correctement installée et raccordée à la terre, conformément à toutes les normes et réglementations locales.

**⚠ AVERTISSEMENT :** Un raccordement incorrect du conducteur de mise à la terre de l'appareil peut entraîner un risque de choc électrique. Consultez un électricien ou un technicien qualifié si vous avez un doute sur la mise à la terre correcte de l'appareil. Ne modifiez pas la fiche fournie avec l'appareil. Dans le cas où elle ne serait pas adaptée à la prise, faites installer une prise correcte par un électricien qualifié. Le non-respect de ces instructions peut provoquer des blessures graves, un incendie, un choc électrique ou la mort.

# INSTRUCTIONS IMPORTANTES DE SÉCURITÉ

## LISEZ TOUTES LES DIRECTIVES AVANT D'UTILISER L'APPAREIL

**⚠ AVERTISSEMENT** Pour votre sécurité, vous devez suivre l'information contenue dans ce manuel afin de réduire les risques d'incendie et d'explosion, de choc électrique ainsi que pour éviter les dommages matériels, les blessures corporelles ou un décès.

## PRÉCAUTIONS DE SÉCURITÉ DE BASE POUR L'INSTALLATION

**⚠ AVERTISSEMENT :** Pour réduire les risques d'incendie, de choc électrique, ou des blessures corporelles en utilisant des électroménagers, vous devez toujours suivre les précautions de base, y compris ce qui suit.

- **Consultez les Instructions d'installation pour y trouver des procédures détaillées de mise à la terre.** Les instructions d'installation sont emballées dans la machine à laver à titre de référence pour l'installateur. Si vous déménagez la machine à laver dans un nouvel emplacement, faites-la vérifier et réinstaller par un technicien qualifié de service. Tout non-respect de cet avertissement peut entraîner des blessures graves, un incendie, une électrocution ou la mort.
- **Ne coupez en aucune circonstance, ou n'enlevez jamais la troisième broche (la broche de mise à la terre) du cordon d'alimentation.** Tout non-respect de cet avertissement peut entraîner des blessures graves, un incendie, une électrocution ou la mort.
- **Pour votre sécurité personnelle, cette machine à laver doit être bien mise à la terre.** Tout non-respect de cet avertissement peut entraîner des blessures graves, un incendie, une électrocution ou la mort.
- **Le cordon d'alimentation de cet appareil est équipé d'une fiche à trois broches (mise à la terre) qui va dans une prise à trois trous (mise à la terre) normal,** afin de minimiser la possibilité d'électrocution.
- **Vous devez brancher cette machine à laver dans une prise mise à la terre de 120 VCA, 60 Hz.** Tout non-respect de cet avertissement peut entraîner des blessures graves, un incendie, une électrocution ou la mort.
- **Faites vérifier par un électricien qualifié la prise murale et le circuit pour vous assurer que la prise est bien mise à la terre.** Tout non-respect de cet avertissement peut entraîner des blessures graves, un incendie, une électrocution ou la mort.
- **Si vous avez une prise normale à deux trous, vous êtes personnellement responsable et obligé de la faire remplacer par une prise murale à trois trous bien mise à la terre.** Tout non-respect de cet avertissement peut entraîner des blessures graves, un incendie, une électrocution ou la mort.
- **N'installez jamais sur un tapis. Installez la machine à laver sur un plancher solide.** Tout non-respect de cet avertissement peut entraîner des dommages sérieux dus à des fuites.
- **N'enlevez jamais la broche de mise à la terre. N'utilisez jamais un adaptateur ou une rallonge. Branchez dans une prise à trois trous mise à la terre.** Tout non-respect de cet avertissement peut entraîner des blessures graves, un incendie, une électrocution ou la mort.
- **Vous devez toujours brancher la machine à laver dans sa propre prise électrique. Celle-ci doit avoir une notation de voltage qui correspond à celle de la plaque de signalisation de la machine à laver.** Cela permet un meilleur rendement, tout en empêchant une surcharge des circuits de câblage de la maison, qui pourrait entraîner un danger d'incendie à la suite d'une surchauffe des fils.
- **Ne débranchez jamais votre machine à laver en tirant sur le cordon d'alimentation.** Saisissez toujours fermement la fiche et faites-la sortir de la prise en la tirant droit. Tout non-respect de cet avertissement peut entraîner des blessures graves, un incendie, une électrocution ou la mort.
- **Réparez ou remplacez immédiatement tout cordon d'alimentation utilisé ou endommagé. N'utilisez jamais un cordon d'alimentation utilisé ou craqué sur sa longueur ou à l'une de ses extrémités.** Tout non-respect de cet avertissement peut entraîner des blessures graves, un incendie, une électrocution ou la mort.
- **Quand vous installez ou bougez votre machine à laver, faites bien attention de ne pas pincer, écraser ou endommager le cordon d'alimentation.** Tout non-respect de cet avertissement peut entraîner des blessures graves, un incendie, une électrocution ou la mort.
- **Vous devez faire installer la machine à laver et la faire mettre à la terre par un technicien qualifié, conformément aux codes locaux.** Cela empêchera le danger d'électrocution et assurera la stabilité du fonctionnement.
- **La machine à laver est lourde. Vous avez peut-être besoin de deux personnes, ou plus, pour installer et bouger cet appareil.** Tout non-respect de cet avertissement peut entraîner des blessures du dos ou d'autres blessures.
- **Rangez et installez votre machine à laver dans un endroit où elle ne sera pas exposée à des températures inférieures à 0 degré ou à des conditions climatiques extérieures.** Tout non-respect de cet avertissement peut entraîner des dommages sérieux dus à des fuites.
- **Pour réduire le risque d'électrocution, n'installez jamais votre machine à laver dans un emplacement humide.** Tout non-respect de cet avertissement peut entraîner des blessures graves, un incendie, une électrocution ou la mort.

# INSTRUCTIONS IMPORTANTES DE SÉCURITÉ

## LISEZ TOUTES LES DIRECTIVES AVANT D'UTILISER L'APPAREIL

**⚠ AVERTISSEMENT** Pour votre sécurité, vous devez suivre l'information contenue dans ce manuel afin de réduire les risques d'incendie et d'explosion, de choc électrique ainsi que pour éviter les dommages matériels, les blessures corporelles ou un décès.

## PRÉCAUTIONS DE SÉCURITÉ POUR LA UTILISATION, LA ENTRETIEN ET NETTOYAGE, ET LA DISPOSITION

**⚠ AVERTISSEMENT :** Pour réduire les risques d'incendie, de choc électrique, ou des blessures corporelles en utilisant des électroménagers, vous devez toujours suivre les précautions de base, y compris ce qui suit.

- **Débranchez votre machine à laver avant de la nettoyer** pour éviter le risque d'électrocution.
- **N'utilisez jamais de produits chimiques puissants, de nettoyeurs abrasifs ou de dissolvants pour nettoyer votre machine à laver.** Ils endommageront sa surface.
- **Ne mettez jamais de chiffons ou de vêtements huileux ou gras en haut de la machine à laver.** Ces substances dégagent des vapeurs qui peuvent mettre feu aux tissus.
- **Ne lavez pas d'articles qui ont été salis par de l'huile végétale ou de l'huile de cuisson.** Ces articles peuvent conserver un peu d'huile après le lavage. À cause de cette huile qui reste dans le tissu, le tissu peut se mettre à fumer ou peut prendre feu seul.
- **Débranchez cet appareil de sa prise d'alimentation avant de tenter de l'entretenir. Vous ne débranchez pas cet appareil de son alimentation électrique en tournant les contrôles en position OFF (arrêt).** Tout non-respect de cet avertissement peut entraîner des blessures graves, un incendie, une électrocution ou la mort.
- **Ne mélangez jamais des produits de lavage pour la même charge, à moins que cela soit spécifié sur leur étiquette. Ne mélangez jamais d'eau de Javel chlorée avec de l'ammoniaque ou des acides, comme le vinaigre. Suivez les instructions des paquets pour utiliser des produits de lavage.** Un mauvais usage peut produire des gaz empoisonnés qui peuvent entraîner des blessures graves ou la mort.
- **Ne mettez jamais votre main dans la machine à laver quand des pièces sont en mouvement. Avant de charger, de décharger ou d'ajouter des articles, appuyez sur le bouton de sélection de cycle et laissez le tambour s'arrêter complètement avant d'avoir accès à l'intérieur.** Tout non-respect de cet avertissement peut entraîner des blessures graves, un incendie, une électrocution ou la mort.
- **Ne permettez jamais à des enfants de jouer dans la machine à laver, ou sur la machine à laver. Vous devez surveiller étroitement les enfants pour utiliser la machine à laver près d'enfants. Quand les enfants grandissent, apprenez-leur comment bien utiliser, en toute sécurité, tous les appareils électroménagers.** Tout non-respect de cet avertissement peut entraîner des blessures graves.
- **Détruisez la boîte en carton, le sac en matière plastique et tous les autres matériaux d'emballage après avoir déballé la machine à laver. Des enfants peuvent les utiliser pour jouer. Les boîtes en carton recouvertes de tapis, de garnitures de lit ou de pellicules en matière plastique peuvent devenir des chambres hermétiquement closes.** Tout non-respect de cet avertissement peut entraîner des blessures graves.
- **Rangez les produits de lavage hors de la portée des enfants. Pour éviter des blessures, observez tous les avertissements figurant sur les étiquettes de produits.** Tout non-respect de cet avertissement peut entraîner des blessures graves.
- **Avant de jeter votre machine à laver, ou de vous arrêter de l'utiliser, enlevez la porte du compartiment de lavage pour éviter que des enfants ou de petits animaux soient accidentellement enfermés.** Tout non-respect de cet avertissement peut entraîner des blessures graves ou la mort.

## CONSERVEZ CES DIRECTIVES

# PIÈCES ET CARACTÉRISTIQUES

## CARACTÉRISTIQUES SPÉCIALES

### 1 TIROIR À DISTRIBUTEUR DE DÉTERGENT

Ce tiroir à quatre compartiments offre quatre distributeurs distincts pour le détergent du pré-lavage et lavage principal, le javellisant et l'assouplisseur.

### 2 ÉCRAN DEL DU PANNEAU DE COMMANDE

Les commandes électroniques simples sont conviviales. L'affichage à DEL indique les options de cycle et le temps de cycle pendant le fonctionnement.

### 3 PORTE VERROUILLABLE À ACCÈS FACILE

La porte ultra large se verrouille durant le fonctionnement et un délai d'ouverture empêche la porte d'être ouverte jusqu'à ce que l'intérieur soit refroidi et que le niveau de l'eau ait diminué.

### 4 CYCLES DE VAPORISATION HAUTE EFFICACITÉ

Durant les cycles de vaporisation à haute efficacité de LG, la buse à vapeur injecte de la vapeur brûlante dans les tissus pour éliminer les taches tenaces en douceur.

### 5 ROLLERJETS

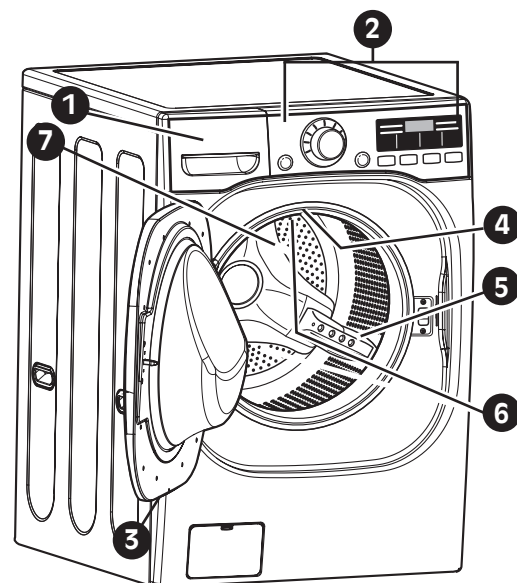
Le système RollerJet améliore la performance de lavage tout en réduisant l'usure des tissus. Les jets intégrés vaporisent les vêtements pour améliorer l'efficacité de lavage.

### 6 LUMIÈRE INTÉRIEUR DU TAMBOUR

La lumière du tambour éclaire l'intérieur de la machine à laver pour une meilleure visibilité lors du chargement et du déchargement. Les ampoules DEL à durée de vie ultra longue ne devraient jamais avoir besoin d'être remplacées.

### 7 MOTEUR À ENTRAÎNEMENT DIRECT

Le moteur à entraînement direct élimine la courroie et les poulies qu'on retrouve dans la plupart des machines à laver, améliorant ainsi la performance et la fiabilité tout en augmentant l'efficacité énergétique.



# PIÈCES ET CARACTÉRISTIQUES

## COMPOSANTES ET PIÈCES PRINCIPALES

En plus des composantes et caractéristiques spéciales détaillées dans la section *Caractéristiques spéciales*, ce manuel fait référence à de nombreuses autres composantes importantes.

### 1 TAMBOUR D'ACIER INOXYDABLE À CAPACITÉ ULTRA

Le tambour d'acier inoxydable ultra grand offre une extrême durabilité et il est incliné pour améliorer l'efficacité et permettre un accès plus facile aux gros articles.

### 2 BUSES À CIRCULATION D'EAU ET À VAPEUR

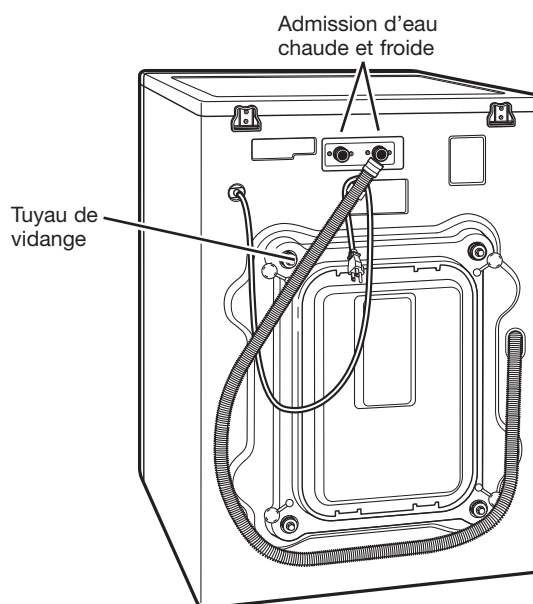
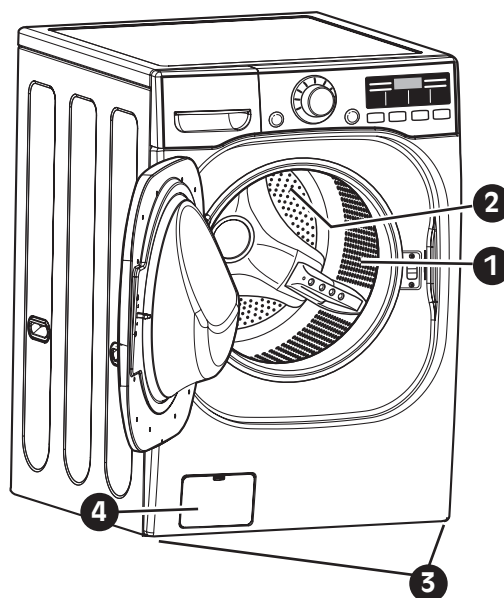
Les buses à circulation d'eau vaporisent la solution eau/détergent directement sur les vêtements pour une performance super nettoyante. Durant les cycles de VAPORISATION à haute efficacité de LG, la buse à vapeur injecte de la vapeur brûlante dans les tissus pour éliminer les taches tenaces en douceur.

### 3 PIEDS DE NIVELLEMENT

Quatre pieds de nivellement (deux à l'avant et deux à l'arrière) sont réglables pour améliorer la stabilité de la machine à laver sur un plancher inégal.

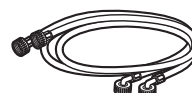
### 4 PANNEAU D'ACCÈS À LA VIDANGE

Offre un accès au tuyau de vidange et au filtre de la pompe de vidange.



Arrière de la machine à laver

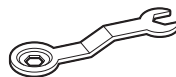
### Accessoires compris



Tuyaux d'eau chaude et froide



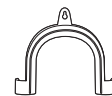
Capuchons (4)  
(pour couvrir les trous des boulons d'expédition)



Clé (pour retirer les boulons d'expédition et ajuster les pieds de nivellement)



Courroie de fixation  
(pour fixer le tuyau de vidange)



Support à coude  
(pour fixer le tuyau de vidange)

# INSTRUCTIONS DE L'INSTALLATION

## CHOISIR LE BON EMPLACEMENT

### ⚠ AVERTISSEMENT

- **La machine à laver est lourde ! Deux personnes ou plus sont nécessaires lorsque vous déballiez et déplacez la machine à laver.** Tout non-respect de ces instructions peut entraîner des blessures du dos ou d'autres blessures.
- **Entreposez et installez la machine à laver à un endroit où elle ne sera pas exposée à des températures sous le point de congélation ou exposée aux intempéries.** Tout non-respect de cet avertissement peut entraîner des blessures graves, un incendie, une électrocution ou la mort.
- **Vous devez bien mettre à la terre cet appareil, pour votre sécurité personnelle. Une machine à laver bien mise à la terre se conformera à tous les codes et les ordonnances en vigueur.** Tout non-respect de cet avertissement peut entraîner des blessures graves, un incendie, une électrocution ou la mort.
- **Pour réduire le risque de choc électrique, n'installez pas la machine à laver dans un espace humide.** Tout non-respect de cet avertissement peut entraîner des blessures graves, un incendie, une électrocution ou la mort.
- L'ouverture de la base ne doit pas être obstruée par une moquette si la machine à laver est installée sur un plancher recouvert de tapis.

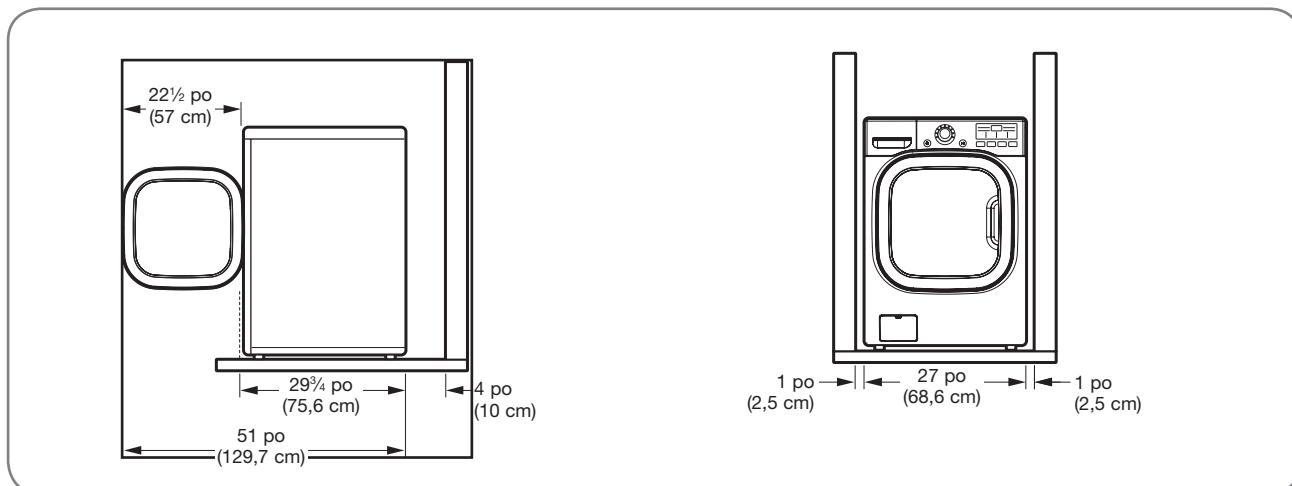
- **N'enlevez jamais la broche de mise à la terre. N'utilisez jamais un adaptateur ou une rallonge. Branchez dans une prise à trois trous.** Tout non-respect de cet avertissement peut entraîner des blessures graves, un incendie, une électrocution ou la mort.

### Prise de courant

- La prise de courant doit se trouver à moins de 60 po (1,5 m) d'un côté ou de l'autre de la machine à laver.
- L'appareil et la prise doivent être placés de façon à ce que la fiche soit facilement accessible.
- Ne surchargez pas la prise murale avec plus d'un électroménager.
- La prise doit être mise à la terre conformément aux codes et règlements de câblage actuels.
- Un fusible à action différée ou un disjoncteur est recommandé.

**REMARQUE :** Il est de la responsabilité personnelle et de l'obligation du propriétaire de faire installer une prise adéquate par un électricien qualifié.

## DÉGAGEMENTS



Pour assurer un dégagement suffisant pour les conduites d'eau et de débit d'air, laissez des dégagements minimum d'au moins 1 po (2,5 cm) sur les côtés et de 4 po (10 cm) derrière l'appareil. Assurez-vous de calculer suffisamment d'espace pour les moulures murales, de portes ou de plancher qui peuvent augmenter les dégagements requis.

Laissez au moins 24 po (61,2 cm) à l'avant de la machine à laver pour l'ouverture de la porte.

# INSTRUCTIONS DE L'INSTALLATION

## REVÊTEMENT DE SOL

- Pour minimiser le bruit et la vibration, la machine à laver DOIT être installée sur un plancher solide. Consultez la NOTE à droite.
- La pente permise sous la machine à laver dans son entier est d'un maximum de 1°.
- Les revêtements de tapis et de tuiles souples ne sont pas recommandés.
- N'installez jamais la machine à laver sur une plateforme ou sur une structure faiblement supportée. Utilisez uniquement un piédestal accessoire approuvé tel que décrit ci-dessous.

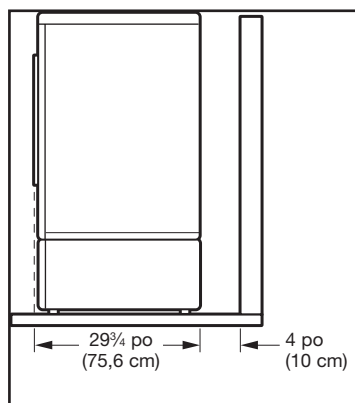
**REMARQUE :** Prenez note que le plancher doit être suffisamment rigide et solide pour supporter le poids de la machine à laver lorsqu'elle est pleinement chargée, sans plier ni rebondir. Si votre plancher est trop flexible, vous devrez peut-être le renforcer pour le rendre plus rigide. Un plancher qui convient à une machine à laver à chargement par le haut pourrait ne pas être suffisamment rigide pour une machine à laver à chargement par le devant, à cause de la différence de vitesse et de direction du cycle d'essorage. Si le plancher n'est pas solide, votre machine à laver pourrait vibrer et vous pourriez entendre et ressentir cette vibration à travers toute votre maison.

## INSTALLATIONS AVEC BASE PIÉDESTAL OU TROUSSE D'EMPILAGE EN OPTION

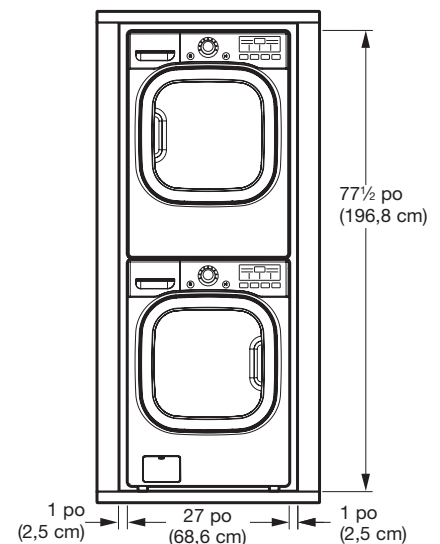
**IMPORTANT :** Si vous installez la machine à laver avec le piédestal ou la trousse d'empilage en option, consultez la section *Accessoires en option* dans ce

manuel ou la section des directives relatives à votre piédestal ou à votre trousse d'empilage avant de procéder à l'installation.

Dimensions requises pour installation avec piédestal



Dimensions requises pour installation avec trousse d'empilage



# INSTRUCTIONS DE L'INSTALLATION

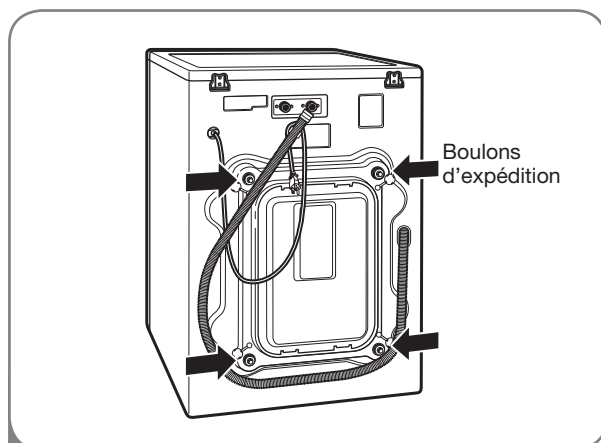
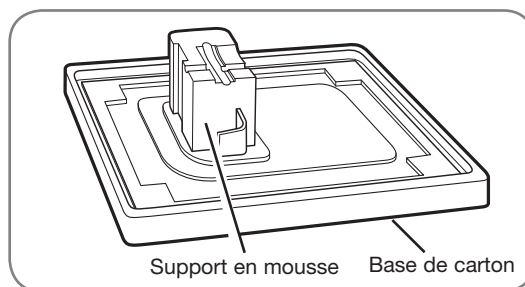
## DÉBALLAGE ET RETRAIT DES BOULONS D'EXPÉDITION

Lorsque vous retirerez la machine à laver de sa boîte, assurez-vous de retirer le support de mousse du milieu de la base de carton.

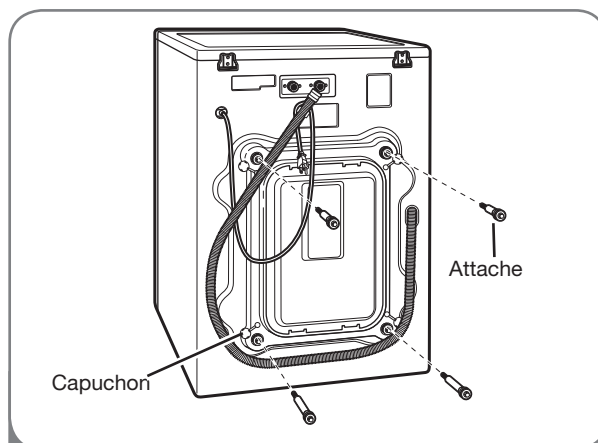
Si vous devez déposer la machine à laver sur le sol pour enlever les matériaux d'emballage de la base, déposez-la toujours soigneusement sur le côté. Ne déposez PAS la machine à laver sur l'arrière ni sur l'avant.

**IMPORTANT :** Pour prévenir les dommages internes durant le transport, la machine à laver est dotée de 4 boulons d'expédition et d'attaches en plastique. Ces boulons et attaches **DOIVENT** être retirés avant l'utilisation de la machine à laver.

- Ne pas vous y conformer pourrait causer de graves vibrations et du bruit, ce qui pourrait entraîner des dommages permanents à la machine à laver. Le cordon est fixé à l'arrière de la machine à laver à l'aide d'un boulon d'expédition pour aider à prévenir l'utilisation de la machine alors que les boulons sont encore en place.



- 1 En commençant par les 2 boulons d'expédition du bas, utilisez la clé comprise pour retirer les 4 boulons d'expédition en les tournant dans le sens antihoraire.



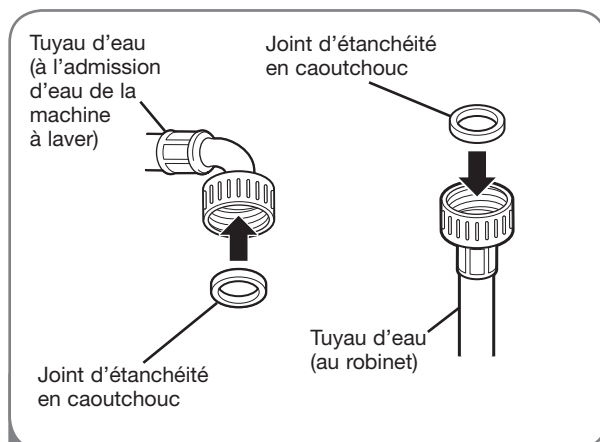
- 2 Retirez les attaches en les faisant légèrement pivoter tout en tirant. Faites pivoter et enfoncez les capuchons dans les trous des boulons d'expédition.

**REMARQUE :** Conservez les boulons et les attaches pour utilisation ultérieure. Pour prévenir les dommages aux composants internes, les boulons d'expédition et les attaches doivent être installés lors du transport de la machine à laver.

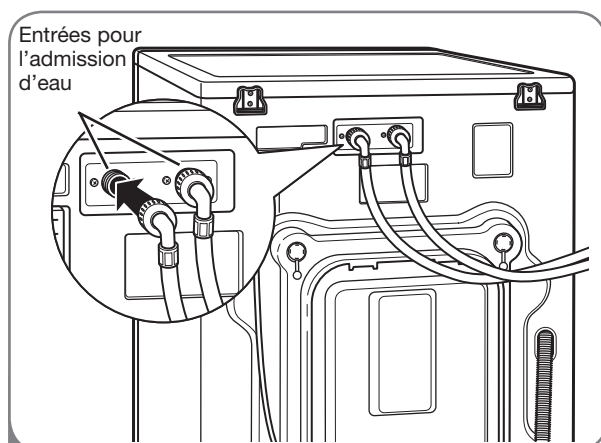
# INSTRUCTIONS DE L'INSTALLATION

## RACCORDEMENT DES CONDUITES D'EAU

- **IMPORTANT** : Utilisez des tuyaux neufs lors de l'installation de la machine à laver. Ne réutilisez PAS d'anciens tuyaux.
- **IMPORTANT** : Utilisez SEULEMENT les tuyaux d'entrée fournis par LG avec cet appareil électroménager. Il n'est pas garanti que les tuyaux de rechange s'adaptent ou fonctionnent correctement. Les autres tuyaux pourraient ne pas bien se serrer et causer des fuites. Les dommages subséquents au produit ou à la propriété ne seront pas couverts conformément aux modalités de la garantie de LG.
- La plage de pression de l'alimentation d'eau est de 14,5 psi à 116 psi (100~800 kPa). Si la pression de l'alimentation d'eau est supérieure à 116 psi, une soupape réductrice de pression doit être installée.
- Vérifiez périodiquement le tuyau pour y déceler toute fissure, fuite et traces d'usure et remplacez-le au besoin.
- Assurez-vous que les conduites d'eau ne sont pas étirées, pincées, écrasées ou tordues.
- La machine à laver ne doit jamais être installée et entreposée dans un endroit assujéti au gel. En effet, le gel risquerait d'endommager les conduites d'eau et les mécanismes internes de la machine à laver. Si la machine à laver a été exposée au gel avant son installation, laissez-la reposer à la température de la pièce pendant plusieurs heures avant de l'utiliser.

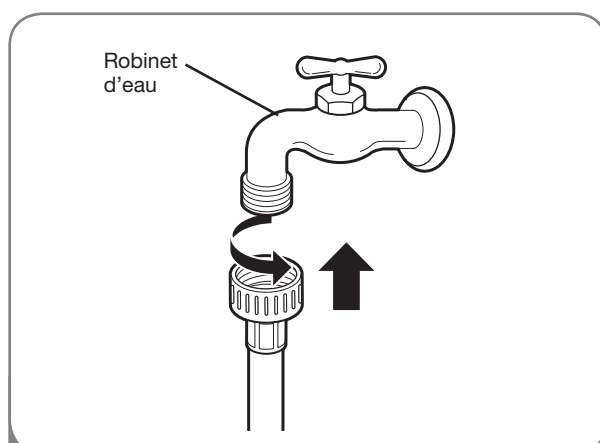


- 1 Insérez un joint d'étanchéité de caoutchouc dans les raccords filetés sur chaque tuyau.



- 2 **REMARQUE** : Ne faussez pas le filetage des raccords de tuyau.

Raccordez la conduite d'eau chaude à l'admission d'eau chaude (rouge) à l'arrière de la machine à laver. Raccordez la conduite d'eau froide à l'admission d'eau froide (bleue) à l'arrière de la machine à laver. Serrez solidement les raccords.



- 3 Raccordez la conduite d'eau chaude au robinet d'eau chaude. Raccordez la conduite d'eau froide au robinet d'eau froide.

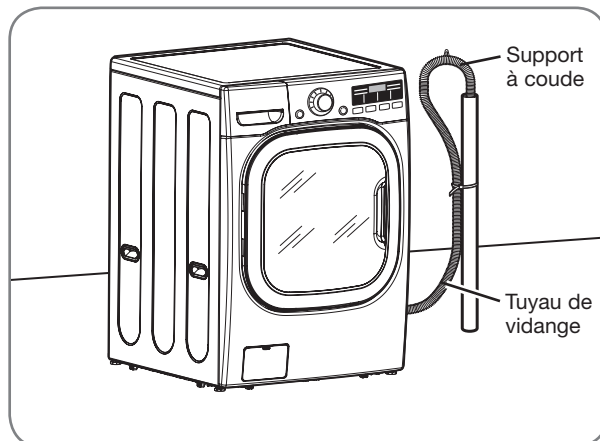
Serrez solidement les raccords. Ouvrez les robinets et vérifiez s'il y a des fuites.

# INSTRUCTIONS DE L'INSTALLATION

## RACCORDEMENT DU TUYAU DE VIDANGE

- Le tuyau de vidange doit toujours être solidement fixé. Dans le cas contraire, il pourrait en résulter une inondation et des dommages matériels.
- N'installez pas l'extrémité du tuyau de vidange à une hauteur supérieure à 96 po (244,8 cm) au-dessus du bas de la machine à laver.
- Le drain doit être installé en conformité avec tous les codes et règlements locaux applicables.
- Assurez-vous que les conduites d'eau ne sont pas étirées, pincées, écrasées ou tordues.

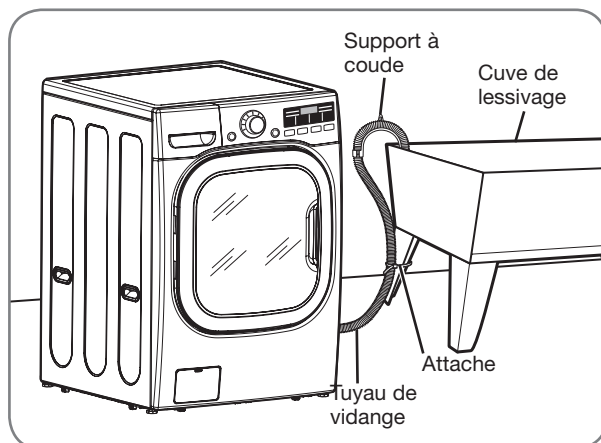
### Option 1 : Tube plongeur



Fixez l'extrémité du tuyau dans le support à coude. Insérez l'extrémité du tuyau de vidange dans le tube plongeur. Utilisez l'attache pour fixer le tuyau de vidange en place.

**REMARQUE :** La hauteur totale de l'extrémité du tuyau ne doit pas être supérieure à 96 po (244,8 cm) à partir du bas de la machine à laver.

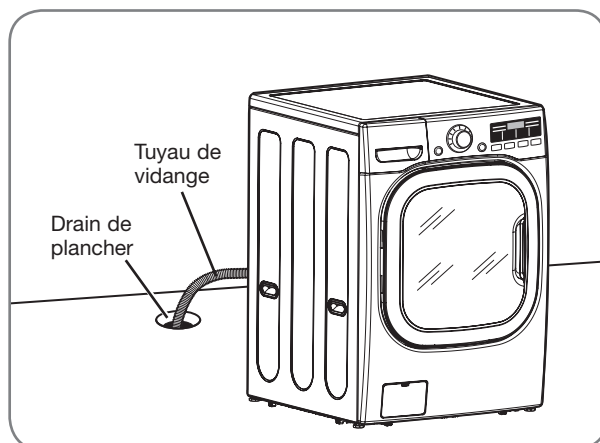
### Option 2 : Cuve de lessivage



Fixez l'extrémité du tuyau dans le support à coude. Suspendez l'extrémité du tuyau de vidange sur le côté de la cuve de lessivage. Utilisez l'attache pour fixer le tuyau de vidange en place.

**REMARQUE :** La hauteur totale de l'extrémité du tuyau ne doit pas être supérieure à 96 po (244,8 cm) à partir du bas de la machine à laver.

### Option 3 : Drain de plancher



Insérez l'extrémité du tuyau de vidange dans le drain de plancher. Fixez la conduite de façon à empêcher qu'elle puisse bouger.

# INSTRUCTIONS DE L'INSTALLATION

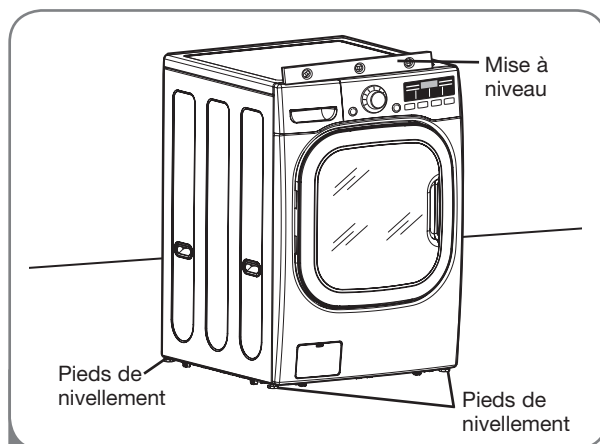
## MISE À NIVEAU DE LA MACHINE À LAVER

Le tambour de votre nouvelle machine à laver tourne à des vitesses très élevées pouvant atteindre 1 300 tours/min. Pour minimiser la vibration, le bruit et les mouvements indésirables, le plancher doit être une surface solide et parfaitement de niveau.

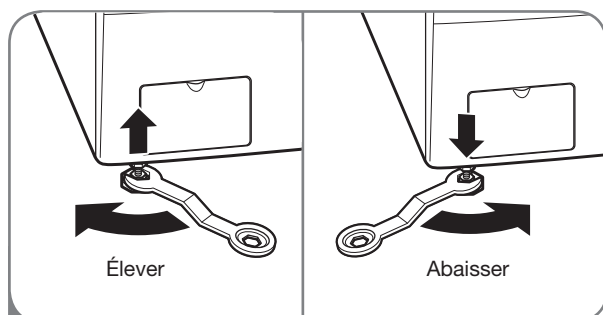
**REMARQUE :** Ajustez les pieds de nivellement seulement pour répondre aux besoins de mise à niveau de la machine. Les étendre plus qu'il est nécessaire pourrait causer des vibrations.

- Les quatre pieds de nivellement doivent reposer solidement sur le plancher. Bougez délicatement la machine à laver d'un coin à l'autre pour vous assurer qu'elle ne se balance pas.

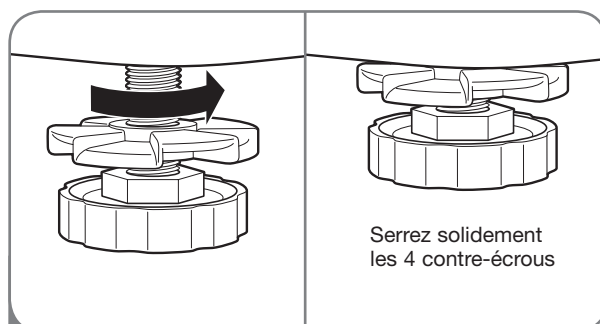
Si vous installez la machine à laver sur le piédestal en option, vous devez utiliser les pieds de nivellement du **piédestal** pour mettre la machine à laver au niveau. Les pieds de nivellement de la machine à laver doit être entièrement rétractés et verrouillés en position à l'aide des contre-écrous.



- 1 Placez la machine à laver dans l'endroit où elle demeurera, en faisant attention de ne pas pincer, étirer ou écraser les conduites d'eau et de vidange. Placez un niveau en travers de la surface de la machine à laver.



- 2 Desserrez les contre-écrous des quatre pieds de nivellement jusqu'à ce que vous puissiez les tourner avec la clé fournie. Tournez dans le sens horaire pour élever la machine à laver ou dans le sens antihoraire pour l'abaisser.



- 3 Une fois la machine à laver de niveau d'un côté à l'autre et de l'avant à l'arrière, serrez bien tous les contre-écrous.

Assurez-vous que les pieds de nivellement sont en contact ferme avec le sol.

**REMARQUE :** Pour vous assurer que la machine à laver est correctement mise à niveau, faites-lui effectuer une brassée test : placez environ 6 livres/2,7 kg de lessive dans la machine. Puis, appuyez sur POWER (mise en marche), appuyez sur RINSE+SPIN (rinçage et essorage) et finalement sur le bouton START/PAUSE (marche/pause). Consultez les sections suivantes pour des renseignements supplémentaires sur la sélection et le fonctionnement des cycles.

Assurez-vous que la machine à laver ne vibre pas et ne se balance pas trop durant l'essorage. Si c'est le cas, ajustez les pieds de nivellement jusqu'à ce qu'elle soit stable et faites le test de nouveau.

## TRIAGE DES BRASSÉES

### Étiquettes d'entretien des tissus

La plupart des vêtements possèdent des étiquettes d'entretien des tissus qui affichent les directives pour un soin approprié.

**Étiquettes d'entretien des tissus**

**Cycle de lavage**

Normal    Pressage permanent/Infroissable    Doux/délicat

Lavage à la main    Ne pas laver    Ne pas tordre

**Température de l'eau**

Élevée (50°C/120°F)    Moyenne (40°C/105°F)    Froide (30°C/85°F)

**Symboles de javellisant**

Tout javellisant (au besoin)    Javellisant sans chlore (au besoin)    Pas de javellisant

### Grouper les articles similaires

Pour de meilleurs résultats, triez les vêtements pour en faire des brassées qui peuvent être lavées au même cycle de lavage.

Différents types de tissu ont différentes exigences d'entretien.

Lavez toujours les couleurs foncées séparément des couleurs pâles et des blancs pour prévenir la décoloration. Si possible, ne lavez pas les articles très sales avec ceux qui le sont peu. Le tableau ci-dessous illustre les groupements recommandés.

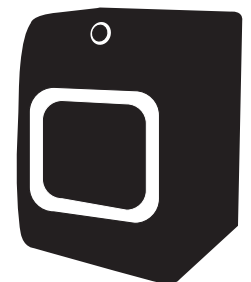
### Trier la lessive...

par couleur	par saleté	par tissu	par tissu pelucheux
blancs	lourds	déliçats	producteur de peluche
légers	normaux	entretien facile	collecteur de peluche
foncés	légers	robustes	

### Chargement de la machine à laver

- Vérifiez toutes les poches pour vous assurer qu'elles sont vides. Des articles comme des trombones, des allumettes, des stylos, de la monnaie et des clés peuvent endommager votre machine à laver et vos vêtements.
- Fermez les fermetures-éclair, les crochets et les cordons pour les empêcher de s'accrocher ou de s'emmêler aux autres vêtements.
- Pré-traitez les taches tenaces pour de meilleurs résultats.
- Combinez les articles grands et petits dans une brassée. Chargez d'abord les articles les plus grands.
- Ils ne doivent pas composer plus de la moitié de la brassée totale.
- La machine à laver peut être entièrement chargée mais le tambour ne doit pas être bourré. La porte de la machine à laver doit pouvoir se fermer facilement.
- Pour prévenir tout déséquilibre de la brassée, ne lavez pas un article seul. Ajoutez un ou deux articles similaires à la brassée. Les articles gros et encombrants comme les couvertures, couettes ou dessus de lit doivent être lavés individuellement.
- Ne lavez pas et n'essorez pas les vêtements imperméables.
- Lorsque vous déchargez la machine à laver, vérifiez s'il y a de petits articles sous le joint de la porte.

**REMARQUE :** Le lave-linge à chargement frontal fait tourner le linge pour le laver avec moins d'eau. Si vous ne voyez pas l'eau pendant le lavage, cela n'est pas un problème, mais signifie que le linge est suffisamment mouillé.



# MODE D'EMPLOI

## SÉLECTION DU DÉTERGENT

**IMPORTANT :** Votre Steam Washer<sup>MC</sup> est conçu pour utilisation avec détergents haute efficacité **uniquement**. Les détergents haute efficacité sont formulés spécifiquement pour les machines à laver à chargement par l'avant et contiennent des agents réducteurs de mousse. Recherchez toujours le symbole HE (haute efficacité) lorsque vous achetez le détergent.

Les détergents HE produisent moins de mousse, se dissolvent plus efficacement pour améliorer la performance de lavage et de rinçage et aident à garder l'intérieur de votre machine à laver propre. L'utilisation d'un détergent régulier peut entraîner un excès de mousse et une performance insatisfaisante.

**IMPORTANT :** Ne placez pas et n'entreposez pas de produits de lessive, comme détergent, javellisant ou assouplisseur liquide, sur le dessus de votre machine à laver ou de votre sècheuse. Essayez tout débordement sans attendre. Ces produits peuvent endommager les finis et les commandes.



Spécialement conçu pour utilisation avec un détergent haute efficacité uniquement

## À PROPOS DU DISTRIBUTEUR

Le distributeur automatique est constitué de quatre compartiments qui conservent :

- Le javellisant.
- L'assouplisseur.
- Le détergent liquide ou en poudre destiné au pré-lavage.
- Le détergent liquide ou en poudre et le javellisant sûr pour les couleurs destinés au lavage principal.

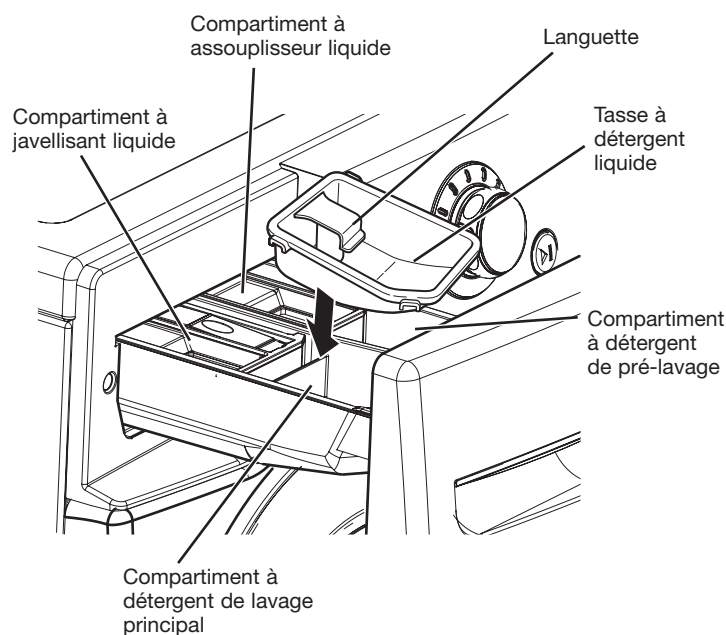
Tous les produits de lessive peuvent être ajoutés d'un seul coup dans leurs distributeurs respectifs. Ils seront distribués au moment approprié pour un nettoyage plus efficace.

Une fois les produits de nettoyage ajoutés au distributeur, refermez le tiroir du distributeur.

Pour ajouter du détergent, du javellisant et de l'assouplisseur au distributeur automatique :

- 1 Ouvrez le tiroir du distributeur.
- 2 Chargez les produits de lessive dans les compartiments appropriés.
- 3 Refermez lentement le tiroir du distributeur pour éviter que les produits de lessive ne se distribuent trop rapidement.

**REMARQUE :** Il est normal qu'une petite quantité d'eau demeure dans les distributeurs à la fin du cycle.



## CHARGEMENT DU DISTRIBUTEUR

### **Compartiment à détergent de pré-lavage**

Ajoutez du détergent liquide ou en poudre à ce compartiment pour distribution automatique lorsque vous utilisez l'option de Prewash (prélavage). Utilisez toujours le détergent à haute efficacité avec votre Steam Washer<sup>MC</sup>.

- La quantité de détergent ajoutée à l'option de pré-lavage est de la moitié de la quantité recommandée pour le cycle de lavage principal. Par exemple, si le cycle de lavage principal requiert une tasse de détergent, ajoutez 1/2 tasse pour l'option de pré-lavage.

**REMARQUE :** Si vous utilisez du détergent liquide pour la lavage principale lorsque vous utilisez l'option de Prewash (prélavage), il FAUT utiliser la tasse à détergent liquide. Sinon, le détergent liquide pour la lavage principale peut être dispenser immédiatement.

### **Compartiment à détergent de lavage principal**

Ce compartiment contient le détergent à lessive pour le cycle de lavage principal, qui est ajouté à la brassée au début du cycle. Utilisez toujours le détergent à haute efficacité avec votre Steam Washer.

Conformez-vous aux recommandations du fabricant lorsque vous ajoutez le détergent. Utiliser trop de détergent peut causer une accumulation de détergent dans les vêtements et dans la machine à laver. Vous pouvez utiliser un détergent liquide ou en poudre.

- Lorsque vous utilisez du détergent liquide, assurez-vous que la tasse à détergent et la languette sont en place. Ne dépassez pas la ligne de remplissage maximum.
- Lorsque vous utilisez du détergent en poudre, retirez la languette et la tasse à détergent liquide du compartiment. Le détergent en poudre ne sera pas distribué si la tasse à détergent et la languette sont en place.

**REMARQUE :** Vous pouvez ajouter du javellisant liquide ou en poudre sûr pour les couleurs au compartiment du lavage principal avec un détergent de même type.

### **Compartiment à javellisant liquide**

Ce compartiment contient le javellisant liquide, qui sera distribué automatiquement au bon moment durant le cycle de lavage.

- N'ajoutez pas de javellisant en poudre ou liquide à ce compartiment.
- Conformez-vous aux recommandations du fabricant lorsque vous ajoutez le javellisant. Ne dépassez pas la ligne de remplissage maximum. Trop de javellisant peut endommager les tissus.
- Ne versez jamais de javellisant non dilué directement dans la brassée ou dans le tambour. Vous pourriez endommager les tissus.

### **Compartiment à assouplisseur liquide**

Ce compartiment contient l'assouplisseur liquide, qui sera automatiquement distribué durant le cycle du rinçage final.

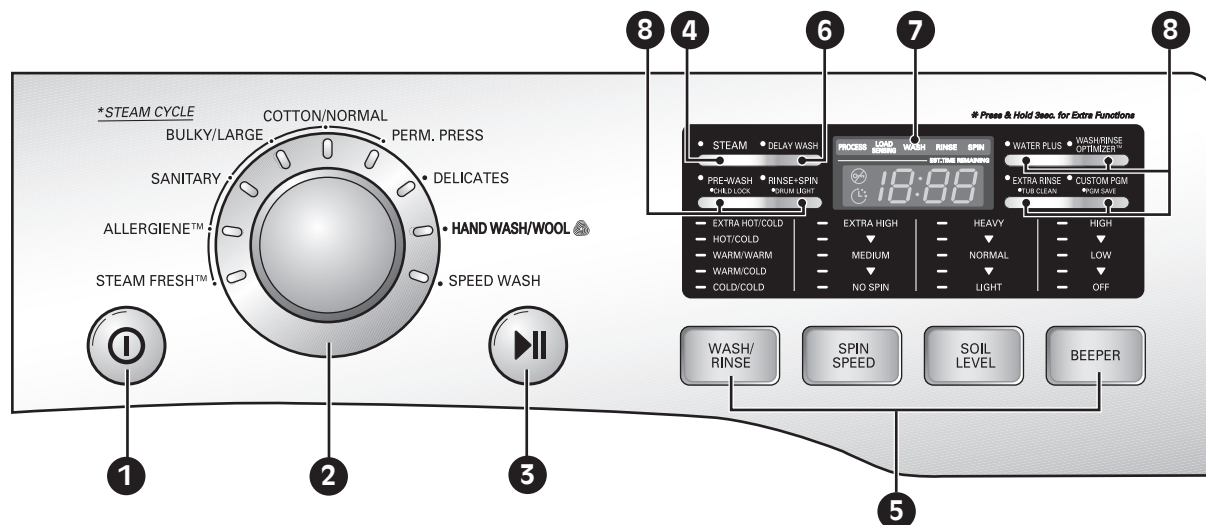
- Conformez-vous aux recommandations du fabricant lorsque vous ajoutez l'assouplisseur. Ne dépassez pas la ligne de remplissage maximum. Trop d'assouplisseur pourrait tacher les vêtements.
- Diluez les assouplisseurs concentrés à l'eau tiède. Ne dépassez pas la ligne de remplissage maximum.
- Ne versez jamais d'assouplisseur directement dans la brassée ou dans le tambour.



Spécialement conçu pour utilisation avec un détergent haute efficacité uniquement

# MODE D'EMPLOI

## CARACTÉRISTIQUES DU PANNEAU DE COMMANDE



### 1 BOUTON DE MISE EN MARCHÉ/ARRÊT

Appuyez pour mettre en marche la machine à laver. Appuyez de nouveau pour arrêter la machine à laver.

**REMARQUE :** Appuyer sur le bouton de MARCHÉ/ARRÊT durant un cycle annulera ce cycle et tous les autres réglages de brassée seront perdus.

### 2 BOUTON SÉLECTEUR DE CYCLE

Tournez ce bouton pour sélectionner le cycle désiré. Une fois le cycle désiré sélectionné, les préréglages standard s'afficheront à l'afficheur. Ces paramètres peuvent être réglés à l'aide des boutons de configuration de cycle avant de démarrer le cycle.

### 3 BOUTON DE MISE EN MARCHÉ/PAUSE

Appuyez sur ce bouton pour DÉMARRER le cycle sélectionné. Si la machine à laver est en fonction, utilisez ce bouton pour faire une PAUSE dans le cycle sans perdre les paramètres actuels.

**REMARQUE :** Si vous n'appuyez pas sur le bouton MARCHÉ/PAUSE dans les 4 minutes de la sélection d'un cycle, la machine à laver s'éteint automatiquement.

### 4 BOUTON STEAM (VAPEUR)

Appuyez sur le bouton STEAM pour ajouter de la vapeur au cycle sélectionné et obtenir un pouvoir nettoyant supplémentaire.

**REMARQUE :** La vapeur peut uniquement être ajoutée aux cycles suivants : STEAMFRESH<sup>MC</sup>, SANITARY, BULKY/LARGE, PERM. PRESS, COTTON/NORMAL, et ALLERGIENE<sup>MC</sup>.

### 5 BOUTONS DE RÉGLAGE DU CYCLE

Utilisez ces boutons pour sélectionner les options de cycle désirées pour le cycle que vous avez choisi. Les options actuelles sont illustrées à l'afficheur. Appuyez sur le bouton correspondant à cette option pour voir et sélectionner d'autres réglages.

### 6 BOUTON DELAY (DÉLAI)

Appuyez sur ce bouton pour retarder le début du cycle de lavage. Chaque fois que vous appuyez sur ce bouton, le délai de démarrage augmente d'une heure, pour un maximum de 19 heures.

### 7 AFFICHEUR DEL

L'afficheur illustre les réglages, le TEMPS RESTANT ENV., les options et les messages d'état de votre Steam WasherMC. L'affichage restera allumé durant tout le cycle.

### 8 BOUTONS DE FONCTION SPÉCIAUX

Ces boutons de fonction spéciaux vous permettent de sélectionner des fonctions supplémentaires et ils s'allument lors de leur sélection. Certains boutons vous permettent également d'activer des fonctions secondaires en appuyant et en tenant le bouton enfoncé pendant 3 secondes.

Pour des renseignements détaillés sur les fonctions individuelles, consultez les pages suivantes.

## GUIDE DE CYCLE

Le guide de cycle ci-dessous illustre les options et les types de tissus recommandés pour chaque cycle.

Cycle	Type de tissu	Température de lavage / rinçage	Vitesse d'essorage	Niveau de saleté	Trempage avant le lavage	Basculement et rinçage	Rinçage extra	Plus d'eau	Vapeur	Optimizer <sup>MC</sup> lavage/rinçage
<b>Steam Fresh<sup>MC</sup></b> (Rafraichvapeur)	Blouses, chemises								●	
<b>Sanitary (Sanitaire)</b>	Sous-vêtements très tachés/vêtements de travail/couches souillées	Extra ch/froid	Haut	Normal						
			Extra haut Pas d'ess Faible Moyen	Forte Légère	●	●	●	●	●	●
<b>Bulky/ Large (Vrac/ GROS)</b>	Morceaux de grandes dimensions, comme couvertures et douillettes	Tiède/froid	Faible	Normal						
		Tiède/tiède Chaud/froid Froid/froid	Moyen Pas d'ess	Forte Légère	●	●	●	●	●	●
<b>Perm. Press (Apprêt perm)</b>	Chemises/pantalons, vêtements infroissables, vêtements en poly/coton, serviettes de table	Tiède/froid	Moyen	Normal						
		Tiède/tiède Chaud/froid Froid/froid	Haut Pas d'ess Faible	Forte Légère	●	●	●	●	●	●
<b>Cotton/ Normal (Coton/ normal)</b>	Coton, lin, serviettes, chandails, draps, denim, brassées mixtes	Tiède/froid	Haut	Normal						
		Tiède/tiède Chaud/froid Froid/froid	Extra haut Pas d'ess Faible Moyen	Forte Légère	●	●	●	●	●	●
<b>Allergiene<sup>MC</sup></b>	Vêtements de bébé légèrement souillés		Haut							
			Extra haut Pas d'ess Faible Moyen			●	●	●	●	
<b>Delicates (Déliçats)</b>	Chemises/blouses, de nylon, vêtements transparents, dentelle	Froid/froid	Moyen	Normal						
		Tiède/froid Tiède/tiède	Pas d'ess Faible	Forte Légère	●	●	●			
<b>Hand Wash/ Wool (Less. Main/ Laine)</b>	Vêtements marqués du symbole « laver à la main »	Tiède/froid	Faible	Normal						
		Tiède/tiède Froid/froid	Pas d'ess	Légère			●	●		
<b>Speed Wash (Lessive Rapide)</b>	Vêtements légèrement souillés et petites brassées	Chaud/froid	Extra haut	Légère						
		Froid/froid Tiède/froid Tiède/tiède	Pas d'ess Faible Moyen Haut	Normal Forte		●	●			

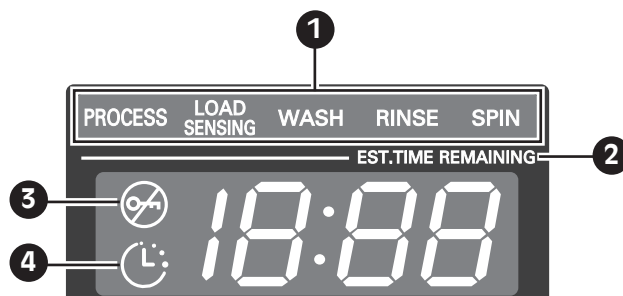
**REMARQUE :** Pour protéger vos vêtements, les différentes options de température de lavage/rinçage, vitesse d'essorage, niveau de saleté ou autres ne sont pas toutes disponibles avec chacun des cycles.

# MODE D'EMPLOI

## AFFICHEUR ACL

L'affichage DEL montre les réglages, le TEMPS RESTANT ENV. options et les messages d'état pour la machine à laver.

Lorsque la machine à laver est allumée, l'affichage est éclairé.



### 1 INDICATEUR DE CYCLE TERMINÉ

Cette portion de l'affichage montre quelle étape du cycle de lavage est actuellement en cours (LOAD SENSING/DÉTECTEUR DE CHARGE, WASH/LAVAGE, RINSE/RINÇAGE ou SPIN/ESSORAGE)

Au début du cycle, le tambour de la machine à laver détecte le poids des vêtements. L'affichage indiquera la charge approximative sous la forme d'un chiffre de 1 à 4, pendant 5 secondes. (Ceci permet les cycles COTON/NORMAL, ALLERGIENE™, et SANITAIRE). Ceci vous permet d'ajuster la quantité de détergent et d'autres additifs, obtenir de meilleurs résultats et améliorer l'efficacité.

### 2 ESTIMATED TIME REMAINING (TEMPS RESTANT ENV.)

Lorsque le bouton MARCHE/PAUSE est enfoncé, la machine à laver détecte automatiquement la brassée (poids) et optimise le temps de lavage en se basant sur le cycle et les options sélectionnés.

L'afficheur indique alors le TEMPS RESTANT ENV. pour le cycle de lavage choisi.

**REMARQUE :** Le temps de cycle affiché peut apparaître beaucoup plus long que celui d'une machine à laver à chargement par le haut. Le temps affiché est relatif au cycle complet, plutôt qu'à la seule portion d'agitation du cycle, comme c'est le cas pour une machine à laver à chargement par le haut.

### 3 INDICATEUR DE DOOR LOCK (PTE VER.)

Indique que la porte est verrouillée.

La porte de la machine à laver se verrouillera automatiquement lorsqu'elle est en fonction. La porte peut être déverrouillée à l'aide du bouton MARCHE/PAUSE pour arrêter la machine.

**REMARQUE :** Si la température dans la machine à laver est trop élevée, la porte ne peut pas être déverrouillée jusqu'à ce que la machine à laver n'ait refroidi. Si le niveau d'eau est trop élevé, sélectionnez le cycle DRAIN & SPIN (vider et essorer) pour vider l'excès d'eau. N'essayez pas de forcer l'ouverture de la porte.

### 4 INDICATEUR DE DELAY WASH (DÉLAI DE LAVAGE)

Cet indicateur indique que la machine à laver a été réglée pour un DELAY WASH (délai de lavage). Elle démarrera automatiquement une fois le délai programmé dépassé.

## UTILISATION DE LA MACHINE À LAVER

Une fois la machine à laver chargée et les produits de lessive ajoutés (détergent, javellisant et/ou assouplisseur) :

- 1 Appuyez sur le bouton MARCHE/ARRÊT pour mettre en marche la machine à laver. Les lumières autour du bouton sélecteur de cycle s'allumeront.



- 2 Tournez le bouton sélecteur au cycle désiré. L'afficheur montrera la température de lavage/rinçage préprogrammée, la vitesse d'essorage, le niveau de saleté et les paramètres d'options pour ce cycle.



- 3 Si vous désirez les modifier pour ce cycle, appuyez sur le ou les boutons d'options afin d'afficher des paramètres supplémentaires pour ces options. Appuyez de nouveau pour faire le tour des paramètres jusqu'à ce que le paramètre désiré soit mis en surbrillance.



**REMARQUE :** Pour protéger vos vêtements, les différentes options de température de lavage/rinçage, vitesse d'essorage, niveau de saleté ou autres ne sont pas toutes disponibles avec chacun des cycles.

- 4 Sélectionnez toute option de cycle supplémentaire, comme STEAM (vapeur) ou DELAY WASH (lavage avec délai) en appuyant sur le bouton correspondant à cette option, ou en appuyant le bouton OPTION pour les options additionnelles.



**REMARQUE :** Pour protéger vos vêtements, les différentes options de température de lavage/rinçage, vitesse d'essorage, niveau de saleté ou autres ne sont pas toutes disponibles avec chacun des cycles.

- 5 Appuyez sur le bouton MARCHE/PAUSE pour démarrer le cycle. La porte se verrouillera, l'afficheur changera et la machine à laver calculera le temps restant estimé.



Une fois le temps total de cycle estimé calculé, la machine à laver commencera. Pour faire une pause à tout moment, appuyez sur PAUSE.

**REMARQUE :** Le temps de cycle affiché peut apparaître beaucoup plus long que celui d'une machine à laver à chargement par le haut. Le temps affiché est relatif au cycle complet, plutôt qu'à la seule portion d'agitation du cycle, comme c'est le cas pour une machine à laver à chargement par le haut.

**REMARQUE :** Si la température dans la machine à laver est trop élevée, la porte ne peut pas être déverrouillée jusqu'à ce que la machine à laver n'ait refroidi. Si le niveau d'eau est trop élevé, sélectionnez le cycle DRAIN & SPIN (vider et essorer) pour vider l'excès d'eau. N'essayez pas de forcer l'ouverture de la porte.

Le temps de lavage peut être réduit de façon importante pour les brassées petites ou pas très sales en sélectionnant le cycle Speed Wash (lavage rapide) et en plaçant le bouton Soil Level (niveau de saleté) à Light (léger).

- 6 Lorsque la brassée est terminée, l'alarme sonore (s'il y a lieu) se fera entendre et la porte se déverrouillera.

Retirez les vêtements humides de la machine à laver immédiatement. Vérifiez s'il y a de petits articles sous le joint de la porte.

# MODE D'EMPLOI

## CYCLES DE VAPORISATION

**• STEAM** Les cycles de VAPORISATION comprennent les cycles suivants : Sanitary, Bulky/Large, Perm. Press, Cotton/Normal, et Allergiene<sup>MC</sup>. Ajouter l'option de vapeur à ces cycles vous fournira une performance de nettoyage supérieure tout en réduisant l'énergie et la consommation d'eau. Grâce à un jet de vapeur chaude provenant du haut et à de l'eau plus froide de dessous, les tissus obtiennent les bienfaits d'un lavage super chaud, sans la consommation énergétique ou les dommages potentiels aux tissus.

### **Pour ajouter la VAPEUR à un cycle régulier :**

- 1 Mettez en marche la machine à laver et tournez le bouton sélecteur pour sélectionner un cycle avec l'option STEAM (vapeur).
- 2 Appuyez sur le bouton STEAM (vapeur). La machine à laver ajustera automatiquement les paramètres du cycle.
- 3 Réglez toute autre option désirée.
- 4 Appuyez sur le bouton MARCHE/PAUSE pour démarrer le cycle. La machine à laver démarrera automatiquement.

### **ATTENTION :**

**Ne touchez pas à la porte durant les cycles de vaporisation. Sa surface peut devenir extrêmement chaude. Laissez la porte se déverrouiller avant de tenter de l'ouvrir.**

**N'essayez pas de contourner le mécanisme de verrouillage de la porte ou de prendre quelque chose dans la machine à laver durant un cycle de vaporisation. La vapeur peut causer de graves brûlures.**

### **NOTES IMPORTANTES À PROPOS DES CYCLES DE VAPORISATION :**

- La vapeur pourrait ne pas être clairement visible durant les cycles de vaporisation. C'est normal. Trop de vapeur pourrait endommager les vêtements.
- N'utilisez pas la vaporisation sur des tissus délicats comme la laine, la soie ou sur des tissus qui se décolorent facilement.
- Ne touchez pas la porte.

### **Utilisation du cycle SteamFresh<sup>MC</sup>**

SteamFresh utilise la puissance de la vapeur seule pour rapidement réduire les plis et les odeurs dans les tissus. Il donne une nouvelle vie aux vêtements froissés et entreposés pendant de longues périodes et rend les vêtements très froissés plus faciles à repasser. SteamFresh peut également être utilisé pour aider à réduire les odeurs dans les tissus.

### **Pour utiliser le cycle SteamFresh<sup>MC</sup> :**

- 1 Mettez en marche la machine à laver et tournez le bouton sélecteur de cycle au cycle SteamFresh.
- 2 Chargez jusqu'à 5 articles et fermez la porte.  
**REMARQUE :** S'il y a de l'humidité dans le tambour, par exemple provenant d'un cycle de lavage précédent, essuyez-le avec une serviette avant d'y placer les vêtements.
- 3 Appuyez sur le bouton STEAM (vapeur) jusqu'à ce que le nombre d'articles correct s'affiche. Il n'y a aucune autre option à programmer.
- 4 Appuyez sur le bouton MARCHE/PAUSE pour lancer le cycle.

Une fois le cycle SteamFresh<sup>MC</sup> complété, la machine à laver fera culbuter les vêtements pendant environ 30 minutes pour empêcher qu'ils ne se froissent.

Lorsque vous retirerez les vêtements du cycle SteamFresh<sup>MC</sup>, ils sembleront peut-être légèrement humides. Placez-les sur un cintre pendant au moins 10 minutes pour leur permettre de sécher.

- Le cycle SteamFresh<sup>MC</sup> n'est pas recommandé pour les vêtements 100 % coton.
- Supprimez les taches des vêtements avant d'utiliser le cycle SteamFresh<sup>MC</sup> ; la chaleur élevée pourrait faire cuire les taches et les incruster de façon permanente.
- N'utilisez pas SteamFresh<sup>MC</sup> avec les articles suivants : laine, couvertures, blousons de cuir, soie, vêtements mouillés, lingerie, produits de mousse ou couvertures électriques.
- Vous obtiendrez de meilleurs résultats si les articles sont de taille et de type de tissu similaires. Ne surchargez pas.

## BOUTONS DE CONFIGURATION DE CYCLE

Chaque cycle possède des réglages préprogrammés qui se sélectionnent automatiquement. Vous pouvez également personnaliser les réglages à l'aide des boutons de configuration de cycle. Appuyez sur le bouton correspondant à cette option pour voir et sélectionner d'autres paramètres.

La machine à laver ajuste automatiquement le niveau d'eau au type et à la taille de la brassée pour de meilleurs résultats et une efficacité maximale. Il peut sembler ne pas y avoir d'eau dans le tambour dans certains cycles mais c'est normal.

**REMARQUE :** Pour protéger vos vêtements, les différentes options de température de lavage/rinçage, vitesse d'essorage, niveau de saleté ou autres ne sont pas toutes disponibles avec chacun des cycles. Consultez le Guide de cycle pour les détails.

### WASH/RINSE (LAVAGE/RINÇAGE)



Sélectionne la température de lavage et de rinçage du cycle sélectionné. Appuyez sur le bouton WASH/RINSE (lavage/rinçage) à répétition pour défiler à travers les paramètres disponibles.

- Votre machine à laver comporte un élément chauffant pour augmenter la température de l'eau jusqu'à des températures extra chaudes. La performance du lavage en est améliorée lorsque vous optez pour les paramètres normaux de chauffage de l'eau.
- Sélectionnez la température appropriée pour le type de brassée que vous désirez faire. Suivez les directives de l'étiquette d'entretien du tissu pour de meilleurs résultats.
- Le rinçage à l'eau tiède laisse la brassée plus sèche que le rinçage à l'eau froide. Le rinçage à l'eau tiède peut augmenter les plis.
- Dans les climats froids, un rinçage à l'eau tiède rend la brassée plus confortable à manipuler.
- Le rinçage à l'eau froide utilise moins d'énergie.

### SOIL LEVEL (NIVEAU DE SALETÉ)



Ajustez le cycle sélectionné pour permettre davantage de temps pour les vêtements très sales ou moins de temps pour les vêtements peu sales.

### SPIN SPEED (VITESSE D'ESSORAGE)



Le tambour de la machine à laver essore à des vitesses pouvant atteindre 1 300 tours/min. Cela réduit le temps de séchage et économise l'énergie.

Appuyez sur le bouton SPIN SPEED (vitesse d'essorage) pour sélectionner la vitesse d'essorage maximale. Certains tissus délicats exigent une vitesse d'essorage plus lente.

### Le cycle Drain & Spin (vider et essorer) :

Le bouton de Spin Speed (vitesse d'essorage) actionne également le cycle de Spin Speed (rinçage et d'essorage) pour vider la cuve et essorer les vêtements ; par exemple, si vous désirez sortir les vêtements avant la fin du cycle.

Pour actionner le cycle **DRAIN & SPIN (vider et essorer) :**

- 1 Appuyez sur le bouton MARCHE/ARRÊT pour mettre en marche la machine à laver.
  - 2 Enfoncez le bouton SPIN SPEED (vitesse d'essorage).
  - 3 Sélectionnez la vitesse d'essorage désirée.
- REMARQUE :** Si NO SPIN (pas d'essorage) a été sélectionné, la machine à laver se videra seulement.
- 4 Enfoncez le bouton MARCHE/PAUSE.

### BEEPER (ALARME SONORE)



Ajustez le volume de l'alarme sonore de fin de cycle ou éteignez-le.



# MODE D'EMPLOI

## BOUTONS DE FONCTIONS ÉSPECIALES

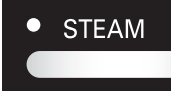
Votre Steam Washer<sup>MC</sup> vous offre plusieurs options de cycle supplémentaires pour personnaliser les cycles et ainsi satisfaire vos besoins individuels. Certains boutons d'options comportent également une fonction spéciale (consultez la page suivante pour les détails) qui peut être actionnée en appuyant et en maintenant ce bouton d'option pendant 3 secondes.

### Pour ajouter des options de cycles à un cycle :

- 1 Mettez en marche la machine à laver et tournez le bouton sélecteur de cycle au cycle désiré.
- 2 Utilisez les boutons de réglage de cycle pour ajuster les paramètres de ce cycle.
- 3 Appuyez sur le ou les boutons d'options de cycles afin de sélectionner les paramètres que vous aimeriez ajouter. Les boutons d'options de cycles s'allumeront lorsqu'ils sont sélectionnés.
- 4 Appuyez sur le bouton MARCHE/PAUSE pour démarrer le cycle. La machine à laver démarrera automatiquement.


**REMARQUE :** Pour protéger vos vêtements, les différentes options de température de lavage/rinçage, vitesse d'essorage, niveau de saleté ou autres ne sont pas toutes disponibles avec chacun des cycles. Consultez le Guide de cycle pour les détails.

### STEAM (vaporisation)


 Utilisez le bouton STEAM (vaporisation) pour ajouter de la vapeur supplémentaire au cycle sélectionné et obtenir un pouvoir nettoyant supplémentaire et une efficacité améliorée. Consultez la section *Cycles de vaporisation* pour de plus amples détails.

**REMARQUE :** Les cycles ne peuvent pas tous être utilisés avec l'option STEAM (Vapeur).


### DELAY WASH (délai de lavage)

 Une fois le cycle et autres paramètres sélectionnés, appuyez sur ce bouton pour retarder le démarrage du cycle de lavage. Chaque fois que vous appuyez sur ce bouton, le délai de démarrage augmente d'une heure, pour un maximum de 19 heures.

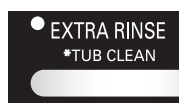
### CUSTOM PGM (programme personnalisé)

 Utiliser le bouton CUSTOM PGM pour choisir le cycle que vous avez sauvegardé par « PGM SAVE ».


### WATER PLUS (ajout d'eau)

 Sélectionnez cette option pour ajouter de l'eau aux cycles de lavage et de rinçage afin d'obtenir de meilleurs résultats, en particulier pour les articles gros ou encombrants.

### EXTRA RINSE (rinçage supplémentaire)

 Cette option ajoutera un cycle de rinçage supplémentaire au cycle sélectionné. Utilisez-la pour vous assurer que les résidus de javellisant ou de détergent sont éliminés des tissus.


### RINSE+SPIN (rinçage et essorage)

 Sélectionnez cette option pour rincer et essorer une charge séparément du cycle régulier. Cela pourrait empêcher de nouvelles taches de se fixer dans les tissus.

### Pour activer le cycle Rinse+Spin (rinçage et essorage) :


- 1 Appuyez sur le bouton MARCHE/ARRÊT pour mettre en marche la machine à laver.
- 2 Appuyez sur le bouton RINSE+SPIN (rinçage et essorage).
- 3 Enfoncez le bouton MARCHE/PAUSE.

### WASH/RINSE OPTIMIZER<sup>MC</sup> (optimizer<sup>MC</sup> lavage/rinçage)

 Cette fonction permet de régler efficacement les temps de lavage et de rinçage en fonction du niveau de lessive et du degré de dureté.

- 1 Quantité excessive de détergent : allongement du cycle de rinçage.
- 2 Quantité de lessive insuffisante : allongement du temps de lavage.
- 3 Un peu de lessive résiduelle est détectée, un temps de rinçage supplémentaire est ajouté.

### PRE-WASH (prélavage)

 Ajoute un prélavage de 16 minutes ainsi qu'un cycle d'essorage.

## PROGRAMME PERSONNALISÉ



Le bouton CUSTOM PROGRAM (programme personnalisé) vous permet d'enregistrer un cycle de lavage personnalisé pour une utilisation ultérieure. Il vous permet de mémoriser une température favorite, une vitesse d'essorage, un niveau de saleté et d'autres options pour un cycle particulier, puis de les rappeler d'un appui sur le bouton.

### **Pour enregistrer un programme personnalisé :**

- 1 Sélectionnez un cycle.
- 2 Réglez la température de lavage/rinçage, la vitesse d'essorage et le niveau de saleté à votre convenance.
- 3 Définissez les autres options souhaitées.

## FONCTIONS SECONDAIRES

Ces boutons de fonction spéciaux vous permettent de sélectionner des fonctions supplémentaires: CHILD LOCK (verrouillage pour enfants, DRUM LIGHT (lumière de tambour), et LANGUAGE (langue). Pour activer, appuyez et tenez enfoncé pour 3 secondes le bouton pour le fonction secondaire.

### **CHILD LOCK (verrouillage pour enfants)**



Utilisez cette option pour empêcher une utilisation non désirée de la machine à laver ou pour empêcher toute modification des paramètres de cycle lorsque la machine est en fonction. Appuyez et maintenez enfoncé le bouton PRE WASH (prélavage) pendant 3 secondes pour actionner ou désactiver le CHILD LOCK (verrouillage pour enfants).

Les mots CHILD LOCK (verrouillage pour enfants) apparaîtront à l'afficheur et toutes les commandes seront désactivées. La machine à laver peut être verrouillée durant un cycle.

### **DRUM LIGHT (lumière du tambour)**



Le tambour est doté d'une lumière DEL bleue qui s'allume lorsque la machine à laver est mise en marche. Cette lumière s'éteint automatiquement lorsque la porte est fermée et que le cycle démarre. Pour allumer la lumière en cours de cycle, appuyez et maintenez enfoncé le bouton TUB CLEAN (nettoyage de la cuve) pendant 3 secondes. La lumière du tambour s'allumera puis s'éteindra automatiquement après 4 minutes.

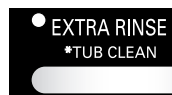
- 4 Appuyez et tenez enfoncé le bouton CUSTOM PROGRAM pendant 3 secondes. Vous entendrez deux bips sonores pour confirmer l'enregistrement des paramètres.

**IMPORTANT :** si vous appuyez et tenez enfoncé le bouton CUSTOM PROGRAM (programme personnalisé) pendant 3 secondes, vous écraserez tout programme personnalisé précédemment enregistré.

### **Pour rappeler un programme personnalisé :**

- 1 Appuyez et relâchez le bouton CUSTOM PROGRAM (programme personnalisé). Les paramètres enregistrés s'affichent.
- 2 Appuyez et relâchez le bouton MARCHÉ/PAUSE pour démarrer le cycle. La machine à laver se met en marche automatiquement.

### **TUB CLEAN (nettoyage de la cuve)**



Une accumulation de résidus de détergent peut se produire dans la cuve de la machine à laver au fil du temps et produire une odeur de moisissure. Le cycle TUB CLEAN (nettoyage de la cuve) est spécifiquement conçu pour éliminer cette accumulation. Appuyez le bouton TUB CLEAN (nettoyage de la cuve) pour activer ce cycle. Un message apparaîtra à l'afficheur indiquant d'ajouter du javellisant au distributeur. Une fois le cycle terminé, ouvrez la porte et laissez l'intérieur du tambour sécher complètement.

Se référer à la section Entretien et nettoyage de l'intérieur pour de plus amples informations.

**REMARQUE :** N'utilisez PAS ce cycle avec les vêtements et n'ajoutez PAS de détergent ou d'assouplisseur.

**REMARQUE :** L'utilisation mensuelle du cycle TUB CLEAN garantira la propreté du tambour de lavage.

# MODE D'EMPLOI

## CYCLES D'ENTRETIEN ÉSPECIALES

### **ALLERGIENE<sup>MC</sup>**

Le cycle ALLERGIENE<sup>MC</sup> est un cycle puissant à haute température conçu précisément pour réduire certains allergènes.

- En sélectionnant le cycle ALLERGIENE<sup>MC</sup>, de la vapeur est automatiquement intégrée au cycle de lavage.
- allergènes dans la literie et les vêtements.
- Le cycle ALLERGIENE<sup>MC</sup> aide à réduire les acariens détriticoles et les allergènes.
- Compte tenu de l'énergie et des températures plus élevées qui sont utilisées, il n'est pas recommandé d'utiliser le cycle ALLERGIENE<sup>MC</sup> pour les lainages, la soie, le cuir ou tout autre article délicat ou thermosensible.

### **LESS.MAIN/LAINE**

- Pour les vêtements en laine lavables en machine.
- Le poids de la brassée doit être inférieur à 8 livres.
- Uniquement des détergents neutres doivent être utilisés pour le lavage des vêtements en laine.
- Le cycle Laine bénéficie « d'un culbutage doux et d'un essorage à faible vitesse » pour la protection des vêtements.



Le cycle Laine de cette machine a été approuvé par Woolmark pour le lavage des produits Woolmark lavables en machine, à la condition que les produits soient lavés conformément aux instructions de l'étiquette du vêtement et aux instructions du fabricant de cette machine à laver, M0807.



Certified by NSF  
Certifié par la NSF

La NSF International (anciennement appelée la National Sanitation Foundation) certifie que le cycle HYGIÉNIQUE élimine 99,9 % des bactéries sur la lessive et que les bactéries ne seront pas transférées à la prochaine brassée.

## NETTOYAGE RÉGULIER

### **⚠️ AVERTISSEMENT :**

- **Débranchez votre machine à laver avant de la nettoyer pour éviter le risque d'électrocution.** Tout non-respect de cet avertissement peut entraîner des blessures graves, un incendie, une électrocution ou la mort.
- **N'utilisez jamais de produits chimiques puissants, de nettoyeurs abrasifs ou de dissolvants pour nettoyer votre machine à laver.** Ils endommageront sa surface.

### *Nettoyage de l'extérieur*

Un entretien adéquat de votre machine à laver peut prolonger sa durée de vie utile. L'extérieur de la machine peut être nettoyé à l'eau chaude, avec un détergent ménager doux et non abrasif.

Essuyez immédiatement tout déversement à l'aide d'un chiffon doux et humide.

**IMPORTANT :** N'utilisez jamais d'alcool méthylique, de solvant ou de produits similaires.

N'utilisez jamais de laine d'acier ou de nettoyeurs abrasifs ; ils pourraient endommager la surface.

### *Entretien et nettoyage de l'intérieur*

Utilisez une serviette ou un chiffon doux pour essuyer le contour de l'ouverture de la porte, le joint de porte et la vitre de porte. Ces zones doivent être gardées propres pour assurer une bonne étanchéité. Assurez-vous d'essuyer l'intérieur du joint de caoutchouc pour en éliminer toute humidité ou saleté.

Retirez toujours les articles de la machine à laver aussitôt le cycle complété. Laisser des articles humides dans la machine à laver peut les froisser, altérer les couleurs et libérer des odeurs.

Effectuez un cycle TUB CLEAN (nettoyage de la cuve) régulièrement pour éliminer l'accumulation de détergent et autres résidus.

Cette machine à laver dispose d'un cycle spécial, TUB CLEAN (nettoyage du tambour), pour enlever les résidus détersif intégrés à l'intérieur, qui peuvent s'accumuler dans le baquet ou le tambour de lavage et entraîner de la corrosion ou une odeur de moisissure.

Lisez ces instructions soigneusement avant de démarrer le cycle TUB CLEAN.

- 1 Ouvrez la porte et retirez tout vêtement du tambour de lavage.
- 2 Ouvrez le tiroir du distributeur.
- 3 Ajoutez un agent de blanchiment au chlore ou le décapant liquide de tambour.

Certains décapants de tambour en poudre ou en pastilles qui sont fabriqués à cette fin peuvent être employés.

(NOTE : n'ajoutez aucun adoucissant ou détergent dans le distributeur lorsque vous utilisez un cycle TUB CLEAN.)

#### **- Si vous utilisez un agent de blanchiment liquide au chlore (eau de Javel)**

Ajoutez l'agent de blanchiment liquide au chlore dans le compartiment d'agent de blanchiment du tiroir distributeur.

(NOTE : ne dépassez pas la ligne maximum de remplissage et ne versez pas l'agent de blanchiment liquide non dilué directement dans le tambour de lavage.)

#### **- Si vous utilisez le décapant en poudre**

Enlevez la boule de détergent liquide et ajoutez le décapant en poudre dans le compartiment principal de lavage du tiroir de distribution.

#### **- Si vous utilisez le décapant en pastilles**

Ajoutez le décapant en pastille directement dans le tambour de la machine à laver.

(NOTE : n'ajoutez pas de décapant en pastilles dans le tiroir de distribution.)

- 4 Refermez le tiroir et la porte de la machine à laver.
- 5 Choisissez TUB CLEAN et puis sur START.

**REMARQUE :** Il est recommandé de répéter le cycle TUB CLEAN une fois par mois.

Si la corrosion ou l'odeur de moisi sont déjà présentes, exécutez le cycle TUB CLEAN pendant 3 semaines consécutives.

Après la fin du cycle TUB CLEAN ou quand la machine à laver n'est pas utilisée, laissez la porte de la machine ouverte pour une meilleure ventilation et un séchage de l'intérieur.

# ENTRETIEN ET NETTOYAGE

## NETTOYAGE RÉGULIER (suite)

### *Élimination des Taches sur le Joint de la Portel*

**REMARQUE :** Portez des gants en caoutchouc et des lunettes de protection lorsque vous effectuez cette procédure.

- 1 Diluez  $\frac{3}{4}$  de tasse (177 ml) de javellisant dans 1 gallon (3.8 L) d'eau tiède/chaude.
- 2 Essuyez toutes les surfaces du joint à l'aide de cette solution pour enlever tout dépôt pouvant causer des odeurs. (Assurez-vous de bien replier le rebord du joint pour nettoyer là où les dépôts s'accumulent).
- 3 Essuyez le joint à l'aide d'un chiffon sec.
- 4 Laissez la porte ouverte pour permettre le séchage complet du joint.

Ne pas utiliser de javellisant non dilué au risque d'endommager le joint.

Veillez suivre les instructions du fabricant pour une utilisation correcte du javellisant.

Si le joint ne peut être nettoyé correctement, il doit être remplacé.

### *Nettoyer les buses à circulation d'eau et à vapeur*

Utilisez un coton-tige pour enlever le calcaire ou l'accumulation de détergent à l'intérieur des buses à circulation d'eau et à vapeur. N'utilisez **JAMAIS** un objet pointu, vous pourriez endommager les buses.

### *Entreposage de la machine à laver*

Si la machine à laver ne sera pas utilisée pendant une longue période et se trouve dans un endroit qui pourrait être exposé au gel :

- 1 Fermez le robinet d'alimentation en eau.
- 2 Débranchez les tuyaux de l'alimentation d'eau et purgez l'eau qu'ils contiennent.
- 3 Branchez le cordon électrique dans une prise correctement mise à la terre.
- 4 Ajoutez 1 gallon d'antigel non toxique pour véhicule récréatif (VR) au tambour vide de la machine à laver. Fermez la porte.
- 5 Sélectionnez le cycle d'essorage et laissez la machine à laver essorer pendant 1 minute pour vidanger toute l'eau.

**REMARQUE :** Le liquide antigel pour VR ne sera pas entièrement expulsé.

- 6 Débranchez le cordon d'alimentation, séchez l'intérieur du tambour avec un chiffon doux et fermez la porte.

- 7 Retirez les languettes ou pièces supplémentaires du distributeur. Drainez toute l'eau des compartiments et séchez les compartiments.

- 8 Entrepochez la machine à laver en position verticale.

- 9 Pour retirer l'antigel de la machine à laver après l'entreposage, effectuez un cycle complet en utilisant du détergent. **N'ajoutez pas de lessive !**

### *Suppression de l'accumulation de calcaire*

Si vous vivez dans une région où l'eau est dure, du calcaire peut se former sur les composantes internes de la machine à laver. Utilisez un adoucisseur d'eau dans les régions où l'eau est dure. Si vous utilisez un détartreur, assurez-vous qu'il convient à une utilisation dans une machine à laver et effectuez un cycle TUB CLEAN (nettoyage de la cuve) avant de laver les vêtements.

Les taches de calcaire et autres taches peuvent être éliminées du tambour d'acier inoxydable à l'aide d'un nettoyeur en acier inoxydable. N'utilisez PAS de laine d'acier ou de nettoyeurs abrasifs ; ils pourraient endommager la surface.

### *Activation du nettoyage de la cuve*

Pour nettoyer la cuve, veuillez sélectionner le cycle de nettoyage de la cuve.

Veillez vider la cuve et remplir le distributeur de lessive avec de l'eau de Javel et appuyez sur le bouton de nettoyage de la cuve.

### *Porte ouverte préconisée*

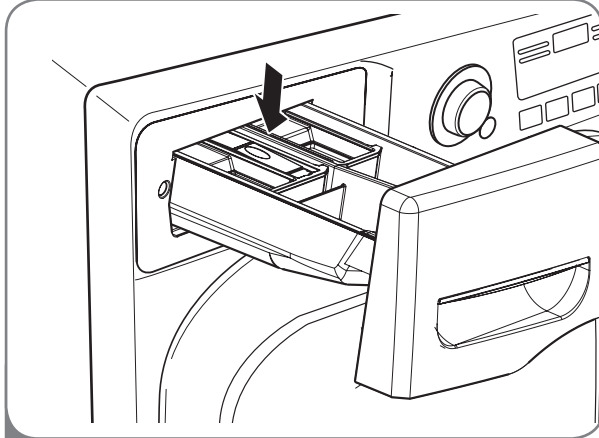
Il est préconisé laisser la porte ouverte après en fin de lavage pour conserver la cuve propre.

# ENTRETIEN ET NETTOYAGE

## NETTOYAGE DE LA MACHINE À LAVER

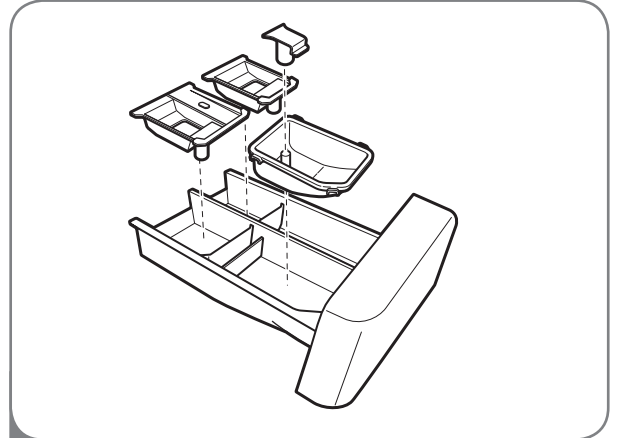
### *Nettoyage du distributeur*

Le distributeur doit être périodiquement nettoyé pour éliminer l'accumulation de détergent et d'autres produits de lessive.



- 1 Tirez sur le tiroir du distributeur jusqu'à ce qu'il s'arrête de lui-même. Appuyez sur le bouton au centre du tiroir et tirez pour sortir le tiroir.

**REMARQUE :** Le nettoyage du compartiment à lessive une fois par semaine garantira le bon écoulement de la lessive.



- 2 Retirez les insertions du tiroir et nettoyez-les à l'eau tiède avec un chiffon doux ou brossez-les pour supprimer tout résidu ou accumulation.

Essuyez l'intérieur de l'ouverture du tiroir à l'aide d'un chiffon humide. Réassemblez le tiroir et réinstallez-le dans l'ouverture.

**REMARQUE :** N'utilisez rien d'autre que de l'eau pour nettoyer le tiroir, les languettes, pièces supplémentaires et l'ouverture du tiroir. Si un nettoyeur quelconque coule à l'intérieur de la machine à laver, effectuez un cycle RINSE+SPIN (rinçage et essorage) avant d'y laver des vêtements.

# INSTRUCTIONS D'ENTRETIEN D'UTILISATEUR

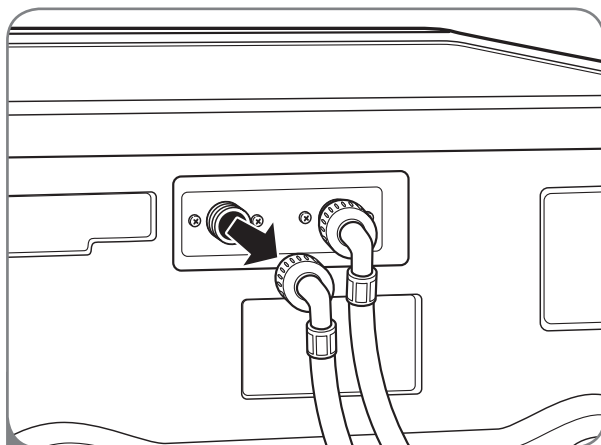
## ENTRETIEN

### *Nettoyage des filtres d'admission d'eau*

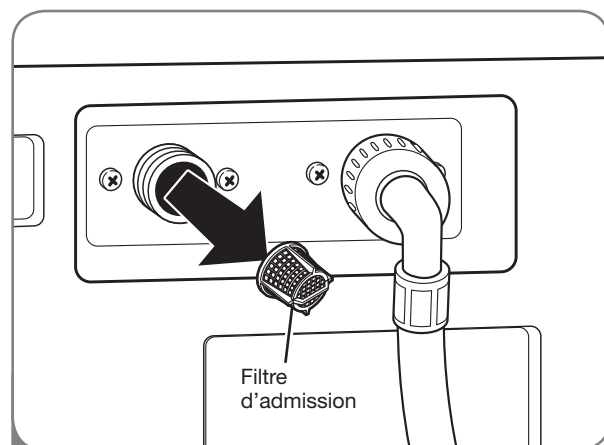
Si la machine à laver détecte qu'aucune eau ne pénètre dans le distributeur, un message d'erreur apparaîtra à l'afficheur. Si vous demeurez dans une région où l'eau est dure, l'obstruction des filtres d'admission peut provoquer l'apparition du message.

**IMPORTANT :** Soyez extrêmement prudent lorsque vous retirez et nettoyez les filtres. Si les filtres ne peuvent pas être nettoyés ou qu'ils sont endommagés, ne faites PAS fonctionner la machine à laver sans les filtres d'admission. Contactez le service à la clientèle de LG ou un centre de service LG qualifié.

**IMPORTANT :** Utiliser SEULEMENT les tuyaux d'entrée fournis par LG avec cet appareil électroménager. Il n'est pas garanti que les tuyaux de rechange s'adaptent ou fonctionnent correctement. Les autres tuyaux pourraient ne pas bien se serrer et causer des fuites. Les dommages subséquents au produit ou à la propriété ne seront pas couverts conformément aux modalités de la garantie de LG.



- 1 Fermez complètement les deux robinets. Dévissez les conduites d'eau chaude et d'eau froide de l'arrière de la machine à laver.



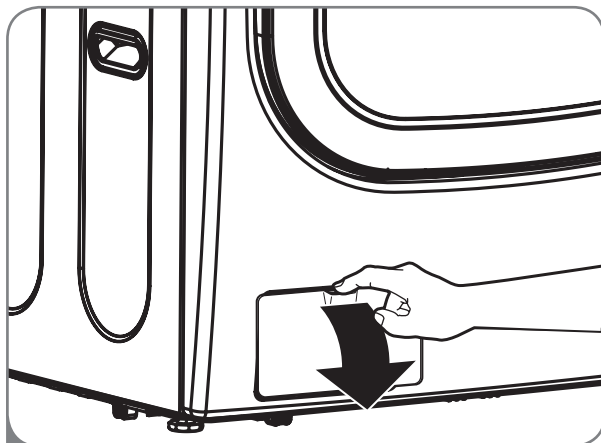
- 2 Retirez soigneusement les filtres des entrées de l'admission d'eau et faites-les tremper dans du vinaigre blanc ou dans un détartrant, en vous conformant aux directives du fabricant. Rincez à fond avant de réinstaller. Remplacez les filtres et réattachez les conduites d'eau. Ne faites PAS fonctionner la machine à laver sans les filtres aux entrées d'admission.

# INSTRUCTIONS D'ENTRETIEN D'UTILISATEUR

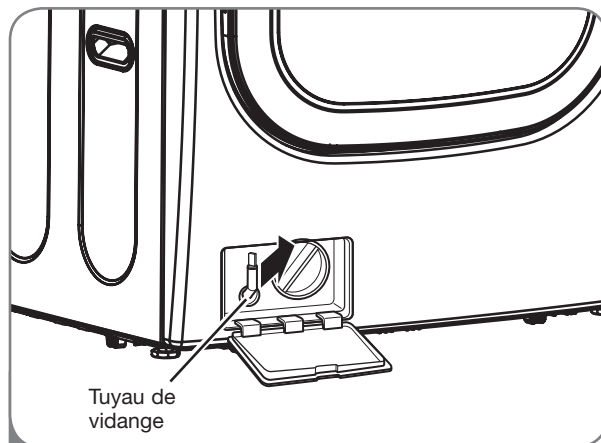
## ENTRETIEN (suite)

### *Nettoyer le filtre de la pompe de vidange*

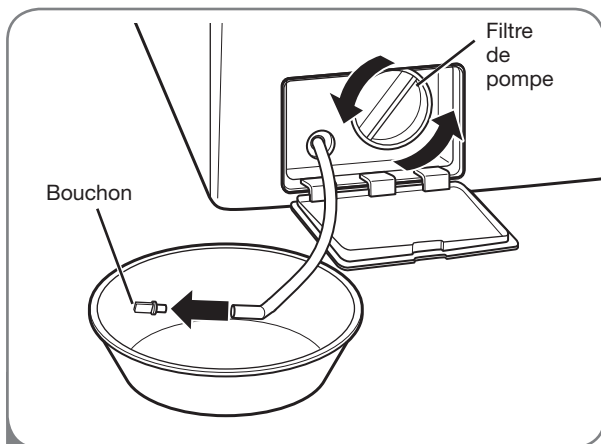
De la peluche et d'autres corps étrangers pourraient s'y accumuler et obstruer le filtre de la pompe de vidange. Si la machine à laver ne se vide pas correctement, débranchez-la et laissez l'eau refroidir au besoin, avant de poursuivre.



- 1 Ouvrez le panneau d'accès au filtre de la pompe à vidange.



- 2 Dégagez le tuyau de vidange et tirez-le. Placez l'extrémité du tuyau de vidange dans une casserole, un seau, ou le drain de plancher pour récupérer l'eau.



- 3 Retirez le bouchon du tuyau de vidange et laissez l'eau se vider complètement. Tournez le filtre de pompe dans le sens antihoraire pour le retirer. Retirez toute peluche et corps étrangers du filtre de la pompe.

Inversez les étapes ci-dessus pour réinstaller le filtre de la pompe de vidange et le tuyau de vidange. Assurez-vous de fermer le panneau du couvercle lorsque vous aurez terminé.

# DÉPANNAGE

## SONS NORMAUX QUE VOUS POURRIEZ ENTENDRE

Les sons suivants peuvent se faire entendre lorsque la machine à laver est en fonction. Ils sont normaux.

### **Cliquetis :**

Relais du verrou de porte lorsque la porte se verrouille et se déverrouille.

### **Vaporisation ou sifflement :**

Vapeur ou eau vaporisée ou en circulation durant le cycle.

### **Vrombissement ou gargouillis :**


Eau de la pompe de vidange s'écoulant de la machine à laver à la fin d'un cycle.

### **Éclaboussements :**


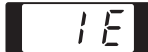

Vêtements culbutant dans le tambour durant les cycles de lavage et de rinçage.

## AVANT D'APPELER LE SERVICE

Votre Steam Washer<sup>MC</sup> est dotée d'un système de contrôle des erreurs automatique qui détecte et diagnostique les problèmes dès leur apparition. Si votre machine à laver ne fonctionne pas correctement ou ne fonctionne pas du tout, vérifiez les éléments suivants avant d'appeler le service.


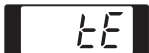


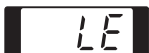

Problèmes	Causes possibles	Solutions
<b>Cliquetis et bruits de claquement</b>	<ul style="list-style-type: none"><li>• Des corps étrangers, comme des clés, des pièces de monnaie ou des épingles de sûreté, peuvent se trouver dans le tambour ou dans la pompe.</li></ul>	<ul style="list-style-type: none"><li>• Arrêtez la machine à laver et vérifiez le filtre du tambour et de la vidange pour y déceler tout corps étranger. Si le bruit se poursuit une fois la machine redémarrée, appelez le service.</li></ul>
<b>Cognements</b>	<ul style="list-style-type: none"><li>• De lourdes brassées peuvent produire un cognement.</li><li>• La brassée peut être déséquilibrée.</li></ul>	<ul style="list-style-type: none"><li>• C'est normal. Si le son se poursuit, la machine à laver est probablement déséquilibrée. Arrêtez-la et redistribuez la brassée.</li><li>• Arrêtez-la et redistribuez la brassée.</li></ul>
<b>Son dû à la vibration</b>	<ul style="list-style-type: none"><li>• Les boulons d'expédition et/ou les matériaux d'emballage n'ont pas été retirés.</li><li>• La brassée est peut-être mal distribuée dans le tambour.</li><li>• Les pieds de nivellement ne reposent peut-être pas fermement sur le sol.</li><li>• Le plancher n'est pas assez rigide.</li></ul>	<ul style="list-style-type: none"><li>• Consultez les directives d'installation pour le retrait des boulons et matériaux d'emballage.</li><li>• Arrêtez la machine à laver et redistribuez la brassée.</li><li>• Ajustez les pieds de nivellement. Assurez-vous que les quatre pieds sont fermement en contact avec le sol lorsque la machine à laver a une brassée au cycle d'essorage.</li><li>• Assurez-vous que le plancher est solide et ne plie pas. Consultez la section <i>Installation</i>, sous la rubrique « Revêtement de sol ».</li></ul>
<b>Fuites d'eau autour de la machine à laver</b>	<ul style="list-style-type: none"><li>• Le raccord du tuyau de remplissage est desserré au niveau du robinet ou de la machine à laver.</li><li>• Les conduites de vidange de la maison sont obstruées.</li></ul>	<ul style="list-style-type: none"><li>• Vérifiez les tuyaux. Vérifiez et resserrez les connexions des tuyaux.</li><li>• Débouchez le tuyau de vidange. Contactez un plombier au besoin.</li></ul>
<b>Mousse excessive</b>	<ul style="list-style-type: none"><li>• Trop de détergent ou détergent incorrect.</li></ul>	<ul style="list-style-type: none"><li>• Réduisez la quantité de détergent ou utilisez un détergent à faible production de mousse.</li></ul> <p> Utilisez uniquement les détergents affichant le logo HE (haute efficacité).</p>

## AVANT D'APPELER LE SERVICE (suite)

Problèmes	Causes possibles	Solutions
<p>La machine à laver se vide lentement ou pas du tout ou l'afficheur montre :</p> 	<ul style="list-style-type: none"> <li>Le tuyau de vidange est plié, pincé, ou obstrué.</li> <li>Le filtre de vidange est obstrué.</li> </ul>	<ul style="list-style-type: none"> <li>Assurez-vous que le tuyau de vidange n'est pas obstrué, tordu ou pincé derrière ou sous la machine à laver.</li> <li>Nettoyez le filtre de vidange. Consultez la section <i>Entretien et nettoyage</i>.</li> </ul>
<p>La machine à laver se remplit lentement ou pas du tout ou l'afficheur montre :</p> 	<ul style="list-style-type: none"> <li>Les robinets ne sont pas complètement ouverts.</li> <li>Les flexibles d'eau sont tordus, pincés ou pliés.</li> <li>Les filtres d'admission d'eau sont obstrués.</li> <li>La pression d'eau au robinet ou à la maison est trop basse.</li> </ul>	<ul style="list-style-type: none"> <li>Assurez-vous que les robinets sont entièrement ouverts.</li> <li>Assurez-vous que les tuyaux ne sont pas tordus ou pincés. Attention lorsque vous déplacez la machine à laver.</li> <li>Nettoyez les filtres d'admission. Consultez la section <i>Entretien et nettoyage</i>.</li> <li>Vérifiez les autres robinets pour vous assurer que la pression d'eau dans la maison est suffisante.</li> </ul>
<p>La machine à laver n'a pas été mise en marche</p>	<ul style="list-style-type: none"> <li>Le cordon électrique n'est pas correctement branché.</li> <li>Un fusible de maison a grillé, un disjoncteur s'est déclenché ou il y a une panne de courant.</li> </ul>	<ul style="list-style-type: none"> <li>Assurez-vous que la fiche est correctement enfoncée dans une prise murale triphasé, de 120 V c.a. 60 Hz.</li> <li>Réinitialisez le disjoncteur ou remplacez le fusible. N'augmentez pas la capacité du fusible. Si le problème est un circuit surchargé, faites-le corriger par un électricien qualifié.</li> </ul>
<p>La machine à laver n'essore pas ou affiche le message ci-dessous :</p> 	<ul style="list-style-type: none"> <li>La porte est mal fermée.</li> </ul>	<ul style="list-style-type: none"> <li>Assurez-vous que la porte est correctement fermée et appuyez sur le bouton MARCHE/PAUSE. Après avoir démarré un cycle, vous devrez peut-être attendre un peu avant que le tambour ne commence à tourner ou à essorer. La machine à laver n'essore pas à moins que la porte ne soit verrouillée (les mots DOOR LOCK (PTE VER.) apparaîtront à l'afficheur).</li> <li>Si la porte est fermée et verrouillée et que le message de porte ouverte apparaît, appelez le service.</li> </ul>
<p>La porte ne se déverrouille pas lorsque le cycle est terminé ou en pause</p>	<ul style="list-style-type: none"> <li>La température intérieure de la machine à laver est trop élevée.</li> <li>Le niveau d'eau de la machine à laver est trop élevé.</li> </ul>	<ul style="list-style-type: none"> <li>La porte de la machine à laver possède un verrou de sécurité pour prévenir les brûlures. Laissez-la refroidir jusqu'à ce que l'indicateur DOOR LOCK (PTE VER.) s'éteigne à l'afficheur.</li> <li>Laissez la machine à laver compléter le cycle programmé ou effectuez un cycle DRAIN &amp; SPIN pour vider l'eau.</li> </ul>
<p>La durée du cycle est plus longue que d'habitude</p>	<ul style="list-style-type: none"> <li>La machine à laver ajuste automatiquement le temps de lavage pour la quantité de lessive, la pression d'eau, la température et autres conditions d'utilisation.</li> </ul>	<ul style="list-style-type: none"> <li>C'est normal. La machine à laver ajuste automatiquement la durée du cycle pour optimiser les résultats pour le cycle sélectionné.</li> </ul>
<p>Odeur de moisissure dans la machine à laver</p>	<ul style="list-style-type: none"> <li>Trop de détergent ou un détergent inapproprié a été utilisé.</li> <li>L'intérieur de la cuve n'a pas été correctement nettoyé.</li> </ul>	<ul style="list-style-type: none"> <li>Utilisez uniquement un détergent haute efficacité en conformité avec les directives du fabricant.</li> <li>Effectuez un cycle TUB CLEAN (nettoyage de la cuve) régulièrement. Assurez-vous d'essuyer le tour et le dessous du joint de la porte fréquemment.</li> <li>Nettoyez autour du joint et de la vitre de la porte pour éviter les odeurs et les moisissures.</li> </ul> <ol style="list-style-type: none"> <li>sechez le joint et la vitre de la porte et autour de l'ouverture.</li> <li>essuyez l'intérieur du tambour et du joint de porte et le joint inférieur de la porte.</li> </ol>
<p>La vapeur est invisible durant le cycle STEAM (Vapeur)</p>	<ul style="list-style-type: none"> <li>C'est normal.</li> </ul>	<ul style="list-style-type: none"> <li>Comme elle utilise une vapeur sous pression, la machine à laver requiert de très petites quantités de vapeur pour optimiser les résultats. Une vapeur excessive pourrait endommager les tissus et réduire l'efficacité.</li> </ul>

# DÉPANNAGE

## AVANT D'APPELER LE SERVICE (suite)

Problèmes	Causes possibles	Solutions
<b>Les vêtements ne sont pas séchés correctement</b>	<ul style="list-style-type: none"> <li>• La brassée de vêtements est trop grosse.</li> <li>• La brassée de vêtements est trop petite pour tourner correctement.</li> <li>• Il y a trop d'eau.</li> </ul>	<ul style="list-style-type: none"> <li>• Réduisez la taille de la brassée.</li> <li>• Ajoutez quelques serviettes.</li> <li>• Vérifiez que la machine à laver se vide correctement pour extraire toute l'eau de la brassée.</li> </ul>
<b>Présence de plis</b>	<ul style="list-style-type: none"> <li>• La machine à laver ne se vide pas rapidement.</li> <li>• La machine à laver est surchargée.</li> <li>• Les tuyaux d'alimentation en eau chaude et froide ont été inversés.</li> </ul>	<ul style="list-style-type: none"> <li>• Sortez toujours les articles de la machine à laver dès que le cycle est terminé.</li> <li>• La machine à laver peut être complètement chargée, mais les articles ne doivent pas être compressés dans le tambour. La porte de la machine à laver doit pouvoir se fermer facilement.</li> <li>• Un rinçage à l'eau chaude peut plisser les vêtements. Vérifiez le raccordement des tuyaux d'alimentation.</li> </ul>
<b>La lumière du tambour ne reste pas allumée</b>	<ul style="list-style-type: none"> <li>• C'est normal.</li> </ul>	<ul style="list-style-type: none"> <li>• La lumière du tambour s'éteint automatiquement lorsque la machine à laver démarre. Appuyez et maintenez enfoncé le bouton RINSE+SPIN (rinçage et essorage) pendant 3 secondes pour allumer la lumière; elle s'éteindra automatiquement après 4 minutes.</li> </ul>
<b>L'afficheur montre :</b> 	<ul style="list-style-type: none"> <li>• Brassée trop petite.</li> <li>• Brassée déséquilibrée.</li> <li>• La machine à laver possède un système de détection et de correction des déséquilibres. Si des articles individuels lourds sont chargés (tapis de bain, robe de chambre, etc) et que le déséquilibre est trop prononcé, la machine à laver fera plusieurs tentatives pour redémarrer le cycle d'essorage. S'il y a toujours un déséquilibre, la machine à laver s'arrêtera et le code d'erreur s'affichera.</li> </ul>	<ul style="list-style-type: none"> <li>• Ajoutez 1 ou 2 articles similaires pour aider à équilibrer la brassée.</li> <li>• Redistribuez les articles pour aider à équilibrer la brassée.</li> </ul>
<b>L'afficheur montre :</b> 	<ul style="list-style-type: none"> <li>• Erreur de contrôle.</li> </ul>	<ul style="list-style-type: none"> <li>• Débranchez la machine à laver et appelez le service.</li> </ul>
<b>L'afficheur montre :</b> 	<ul style="list-style-type: none"> <li>• Le niveau d'eau est trop élevé à cause d'une défectuosité de la soupape d'eau.</li> </ul>	<ul style="list-style-type: none"> <li>• Fermez les robinets, débranchez la machine et appelez le service.</li> </ul>
<b>L'afficheur montre :</b> 	<ul style="list-style-type: none"> <li>• Le capteur de niveau d'eau ne fonctionne pas correctement.</li> </ul>	<ul style="list-style-type: none"> <li>• Fermez les robinets, débranchez la machine et appelez le service.</li> </ul>
<b>L'afficheur montre :</b> 	<ul style="list-style-type: none"> <li>• Le circuit de protection de surcharge thermique du moteur s'est déclenché.</li> </ul>	<ul style="list-style-type: none"> <li>• Laissez la machine reposer pendant 30 minutes pour permettre au moteur de refroidir ; puis redémarrez le cycle. Si le code d'erreur LE apparaît toujours, débranchez la machine à laver et appelez le service.</li> </ul>
<b>L'afficheur montre :</b> 	<ul style="list-style-type: none"> <li>• Une panne électrique est survenue.</li> </ul>	<ul style="list-style-type: none"> <li>• Redémarrez le cycle.</li> </ul>
<b>Le moniteur à distance pour la lessive (accessoire en option) ne fonctionne pas correctement.</b>	<ul style="list-style-type: none"> <li>• Reportez-vous au mode d'emploi à propos du moniteur à distance pour la lessive.</li> </ul>	<ul style="list-style-type: none"> <li>• Reportez-vous au mode d'emploi à propos du moniteur à distance pour la lessive.</li> </ul>

# SPÉCIFICATIONS/ACCESSOIRES EN OPTION

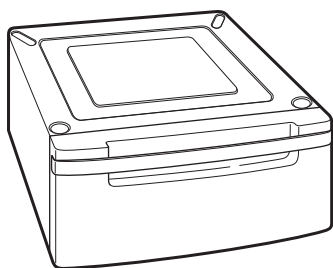
## SPÉCIFICATIONS ET DIMENSIONS PRINCIPALES

L'apparence et les spécifications détaillées dans ce manuel peuvent varier à cause des améliorations constantes apportées au produit.

Steam Washer <sup>MC</sup> Modèle WM3001H*A	
<b>Description</b>	Machine à laver à chargement
<b>Tension et fréquence exigées</b>	120 V c.a. à 60 Hz.
<b>Pression d'eau maximale</b>	14,5~116 PSI (100~800 kPa)
<b>Dimensions</b>	27 po (larg) X 29 <sup>3</sup> / <sub>4</sub> po (prof) X 38 <sup>11</sup> / <sub>16</sub> po (haut), 51 po (prof avec porte ouverte) 68,6 cm (larg) X 75,6 cm (prof) X 98,3 cm (haut), 129,7 cm (prof avec porte ouverte)
<b>Poids net</b>	208,6 lb. (94,6 kg)
<b>Vitesse d'essorage maximale</b>	1 300 tours/min

## ACCESSOIRES EN OPTION

Pour ces produits LG et les autres, contactez votre détaillant LG local ou visitez notre site Internet au [ca.lge.com](http://ca.lge.com).



### *Piédestal*

Donnez à votre machine à laver et sècheuse LG un coup de pouce grâce aux piédestaux de 14 po. Ils offrent un tiroir de rangement pour une commodité accrue.

<b>Piédestal de 14 po</b>	<b>Couleur</b>
WDP3W	Blanc
WDP3R	Rouge cerise sauvage
WDP3L	Bleu RIVIERA



### *Trousse d'empilage*

Si l'espace est restreint, utilisez cette trousse pour empiler de façon sécuritaire votre machine à laver à chargement par l'avant et sècheuse LG.

<b>Trousse de support</b>	<b>Couleur</b>
WSTK1	Blanc
RSTK1	Rouge cerise sauvage
NSTK1	Bleu RIVIERA

# LG ELECTRONICS, INC. GARANTIE LIMITÉE SUR LA MACHINE À LAVER LG – CANADA

Visitez notre site web : [www.LG.ca](http://www.LG.ca)

LG Electronics Canada, Inc.

## GARANTIE LIMITÉE

Si le produit présente un défaut de matériaux ou de fabrication dans des conditions d'utilisation normales pendant la période de garantie indiquée ci-dessous, laquelle période de garantie est en vigueur à partir de la date d'achat d'origine, LG Electronics réparera ou remplacera, à sa discrétion, le produit sans frais.

La garantie est valide seulement pour l'acheteur d'origine du produit, pendant la période de garantie, tant et aussi longtemps que cela soit au Canada.

### Période de garantie du Lave-linge LG

<u>Composant</u>	<u>Pièces</u>	<u>Main-d'oeuvre</u>
Toutes les pièces	1 an	1 an (service à domicile)
Contrôleur	3 ans	1 an (service à domicile)
Cuve	5 ans	1 an (service à domicile)
DD moteur (Stator, Rotor, Hall sensor)	10 ans	1 an (service à domicile)

Aucune autre garantie n'est applicable à ce produit. LA DURÉE DE TOUTE GARANTIE IMPLICITE, INCLUANT LA GARANTIE IMPLICITE DE COMMERCIALISATION, EST LIMITÉE À LA DURÉE DE LA GARANTIE EXPRESSE INDIQUÉE CI-APRÈS. LG ELECTRONICS NE PEUT ÊTRE TENUE RESPONSABLE POUR LA PERTE D'UTILISATION DE CE PRODUIT, INCONVÉNIENT, PERTE OU TOUT AUTRE DOMMAGE, DIRECT OU INDIRECTS, SURVENANT À LA SUITE DE L'UTILISATION OU DE L'INHABILITÉ À UTILISER LE PRODUIT OU POUR TOUT BRIS DE GARANTIE IMPLICITE OU EXPRESSE, INCLUANT LA GARANTIE IMPLICITE DE COMMERCIALISATION OU À DES FINS PARTICULIÈRES, APPLICABLES À CE PRODUIT. Certaines provinces ou territoires ne permettent pas l'exclusion ou la limitation de dommages indirects ou accessoires de limitation sur la durée d'une garantie implicite, par conséquent, ces limitations peuvent ne pas s'appliquer. Cette garantie vous (l'acheteur d'origine) donne des droits spécifiques légaux et vous pouvez en avoir d'autres qui varient d'une province ou territoire à un autre.

### LA GARANTIE SUSMENTIONNÉE NE S'APPLIQUE PAS :

1. Au déplacement de service à domicile pour livrer ou cueillir, installer, instruire ou remplacer un fusible ou rebrancher le câblage résidentiel ou la plomberie ou corriger une réparation non autorisée.
2. Aux dommages au produit causés par accident, vermine, incendie, inondation ou actes de Dieu.
3. Aux réparations lorsque le produit LG est utilisé à des fins autres que normales, utilisation résidentielle unifamiliale ou contraire aux instructions données dans le guide du propriétaire du produit.
4. Aux dommages résultant d'accident, modification, mauvaise utilisation, abus ou installation ou entretien inadéquat.
5. Aux produits modifiés ou dont le numéro de série a été enlevé.

Si le produit est installé à l'extérieur de la zone de service normale, tous frais de déplacement nécessaire pour la réparation du produit, ou le remplacement d'une pièce défectueuse seront imputés au propriétaire.

### INFORMATION D'AIDE À LA CLIENTÈLE :

Pour obtenir une garantie :

Conserver la facture comme preuve de la date d'achat.  
Une copie de la facture doit être présentée lorsqu'un service sous garantie est fourni.  
Cette garantie n'est pas valide si le numéro de série apposé en usine a été modifié ou enlevé du produit.

Pour obtenir de l'aide sur le produit ou pour le service à la clientèle :

Téléphoner au 1-888-LG-CANADA (542-2623)  
Presser l'option du menu approprié, et avoir les numéros de modèle et de série et votre code postal sous la main.

Pour obtenir le centre de service autorisé le plus près :

Aller au site web : [www.LG.ca](http://www.LG.ca) (option service) ou téléphoner au 1-888-LG-CANADA (542-2623)  
Presser l'option du menu approprié, et avoir les numéros de modèle et de série et votre code postal sous la main.



# NOTES • REMARQUES

---



# NOTES • REMARQUES

---



# NOTES • REMARQUES

---



