

This Owner's Manual is provided and hosted by [Appliance Factory Parts](#).



# LG LSWF388HVS Owner's Manual

[Shop genuine replacement parts for LG LSWF388HVS](#)



[Find Your LG Washer Parts - Select From 393 Models](#)

----- Manual continues below -----



**LG**

Life's Good

# OWNER'S MANUAL WASHING MACHINE

Please read this manual carefully before operating your washing machine and retain it for future reference.

LSWF3885HVS

# INTRODUCTION

## IMPORTANT SAFETY INSTRUCTIONS

Basic Safety Precautions .....	4
Grounding Instructions .....	4
Safety Instructions for Installation .....	5
Safety Instructions for Use, Care and Cleaning, and Disposal .....	6

## PARTS AND FEATURES

Special Features .....	7
Key Parts and Components .....	8

## INSTALLATION INSTRUCTIONS

Choose the Proper Location .....	9
Clearances .....	9
Flooring .....	10
Installations with Optional Pedestal Base or Stacking Kit .....	10
Unpacking and Removing Shipping Bolts .....	11
Connecting the Water Lines .....	12
Connecting the Drain Line .....	13
Leveling the Washer .....	14
Installation of Non-skid pads (Optional) .....	14

## HOW TO USE

Control Panel Features .....	15
Operating the Washer .....	16
Cycle Guide .....	17
Sorting Wash Loads .....	18
Selecting detergent .....	19
About the Dispenser .....	19
Loading the Dispenser .....	20
The Color LCD Display .....	21
Steam Cycles .....	22
Speed Wash Cycle .....	22
COLDWASH™ Cycles .....	23
Cycle Setting Buttons .....	23
Special Function Buttons .....	24
Custom Program .....	25
Secondary Functions .....	25
The Option Buttons .....	26
Special Care Cycles .....	26

## CARE AND CLEANING

Regular Cleaning .....	27
Cleaning the Washer .....	28
Maintenance .....	29

## TROUBLESHOOTING

Normal Sounds You May Hear .....	31
Before Calling for Service .....	31

## SPECIFICATIONS/OPTIONAL ACCESSORIES

Key Dimensions and Specifications .....	34
Optional Accessories .....	34

## THANK YOU!

Congratulations on your purchase

and welcome to the LG family.

Your new LG Steam Washer™

combines the most advanced  
washing technology with simple

operation and high efficiency.

Follow the operating and care

instructions in this manual and your

washer will provide many years of

reliable service.

## WARRANTY ..... 35

### *Product Registration Information*

**Model:**

**Serial Number:**

**Date of Purchase:**

The model and serial number can be located on the rating plate on the front of the washer.

Staple your receipt here for your convenience in the event you need it for warranty coverage.



# IMPORTANT SAFETY INSTRUCTIONS

## READ ALL INSTRUCTIONS BEFORE USE

**⚠️ WARNING** For your safety, the information in this manual must be followed to minimize the risk of fire or explosion, electric shock, or to prevent property damage, personal injury, or loss of life.

### Your Safety and the safety of others is very important.

We have provided many important safety messages in this manual and on your appliance. Always read and obey all safety messages.



This is the safety alert symbol.

This symbol alerts you to potential hazards that can kill or hurt you and others.

All safety messages will follow the safety alert symbol and either the word DANGER or WARNING.

These words mean:

**⚠️ DANGER:** You can be killed or seriously injured if you don't immediately follow instructions.

**⚠️ WARNING:** You can be killed or seriously injured if you don't follow instructions.

All safety messages will tell you what the potential hazard is, tell you how to reduce the chance of injury, and tell you what can happen if the instructions are not followed.

# IMPORTANT SAFETY INSTRUCTIONS

## READ ALL INSTRUCTIONS BEFORE USE

**⚠️ WARNING** For your safety, the information in this manual must be followed to minimize the risk of fire or explosion, electric shock, or to prevent property damage, personal injury, or loss of life.

### BASIC SAFETY PRECAUTIONS

**⚠️ WARNING:** To reduce the risk of fire, electric shock, or personal injury when using this appliance, follow basic precautions, including the following.

- Before use, the washer must be properly installed as described in this manual.
- Do not wash articles that have been previously cleaned in, washed in, soaked in, or spotted with gasoline, dry cleaning solvents, or other flammable or explosive substances, as they give off vapors that could ignite or explode.
- Do not add gasoline, dry cleaning solvents, or other flammable or explosive substances to the wash water. These substances give off vapors that could ignite or explode.
- Under certain conditions, hydrogen gas may be produced in a hot water system that has not been used for 2 weeks or more. **HYDROGEN GAS IS EXPLOSIVE.** If the hot water system has not been used for such a period, before using the washer, turn on all hot water faucets and let the water flow from each for several minutes. This will release any accumulated hydrogen gas. As the gas is flammable, do not smoke or use an open flame during this time.
- Do not allow children to play on or in the washer. Close supervision of children is necessary when the washer is used near children.
- Before the washer is removed from service or discarded, remove the door to prevent children from climbing inside.
- Do not install or store the washer where it will be exposed to the weather or freezing temperatures.
- Do not tamper with controls.
- Do not repair or replace any part of the washer or attempt any servicing other than as described in this manual. We strongly recommend that any service be performed by a qualified individual.
- See Installation Instructions for grounding requirements.
- ALWAYS follow the fabric care instructions supplied by the garment manufacturer.
- Do not place items exposed to cooking oil in your washer. Items contaminated with cooking oils may contribute to a chemical reaction that could cause a load to catch fire.
- Use fabric softeners or products to eliminate static only as recommended by the manufacturer.
- This washer is not designed for maritime use or for mobile installations such as in RVs, aircraft, etc.
- Turn off the water taps and unplug the washer if the machine is to be left for an extended period of time, such as during vacations.
- Do not use to dry articles containing foam rubber or similarly textured rubber-like materials.
- Packaging material can be dangerous for children. There is a risk of suffocation! Keep all packaging from children.
- Always check the inside of the washer for foreign objects before loading laundry. Keep the door closed when not in use.
- Do not reach into the appliance if the tub or agitator is moving.

### GROUNDING INSTRUCTIONS

This appliance must be grounded. In the event of malfunction or breakdown, grounding will reduce the risk of electric shock by providing a path of least resistance for electric current. This appliance is equipped with a cord having an equipment-grounding conductor and grounding plug. The plug must be plugged into an appropriate outlet that is properly installed and grounded in accordance with all local codes and ordinances.

**⚠️ WARNING:** Improper connection of the equipment-grounding conductor can result in risk of electric shock. Check with a qualified electrician or servicer if you are in doubt as to whether the appliance is properly grounded. Do not modify the plug provided with the appliance. If it does not fit the outlet, have a proper outlet installed by a qualified electrician. Failure to follow these warnings can cause serious injury, fire, electrical shock, or death.

# IMPORTANT SAFETY INSTRUCTIONS

## READ ALL INSTRUCTIONS BEFORE USE

**⚠️ WARNING** For your safety, the information in this manual must be followed to minimize the risk of fire or explosion, electric shock, or to prevent property damage, personal injury, or loss of life.

## SAFETY INSTRUCTIONS FOR INSTALLATION

**⚠️ WARNING:** To reduce the risk of fire, electric shock, or personal injury when using this appliance, follow basic precautions, including the following.

- **Refer to INSTALLATION INSTRUCTIONS for detailed grounding procedures.** Installation instructions are packed with the washer for installer's reference. If the washer is moved to a new location, have it checked and reinstalled by a qualified service person. Failure to follow this warning can cause serious injury, fire, electrical shock, or death.
- **Do not, under any circumstances cut or remove the third (ground) prong from the power cord.** Failure to follow this warning can cause serious injury, fire, electrical shock, or death.
- **For personal safety, this appliance must be properly grounded.** Failure to follow this warning can cause serious injury, fire, electrical shock, or death.
- **The power cord of this appliance is equipped with a 3-prong (grounding) plug which mates with a standard 3-prong (grounding) wall outlet** to minimize the possibility of electric shock from this appliance.
- **This washer must be plugged into a 120 VAC, 60 Hz grounded outlet.** Failure to follow this warning can cause serious injury, fire, electrical shock, or death.
- **Have the wall outlet and circuit checked by a qualified electrician to make sure the outlet is properly grounded.** Failure to follow this warning can cause serious injury, fire, electrical shock, or death.
- **Where a standard 2-prong wall outlet is encountered, it is your personal responsibility and obligation to have it replaced with a properly grounded 3-prong wall outlet.** Failure to follow this warning can cause serious injury, fire, electrical shock, or death.
- **Do not install on carpet. Install washer on a solid floor.** Failure to follow this warning can cause serious leak damage.
- **Do not remove ground prong. Do not use an adapter or extension cord. Plug into a grounded 3-prong outlet.** Failure to follow these warnings can cause serious injury, fire, electrical shock, or death.
- **The washer should always be plugged into its own individual electrical outlet which has a voltage rating that matches the rating plate.** This provides the best performance and also prevents overloading house wiring circuits which could cause a fire hazard from overheated wires.
- **Never unplug your washer by pulling on the power cord.** Always grip plug firmly and pull straight out from the outlet. Failure to follow this warning can cause serious injury, fire, electrical shock, or death.
- **Repair or replace immediately all power cords that have become frayed or otherwise damaged. Do not use a cord that shows cracks or abrasion damage along its length or at either end.** Failure to follow this warning can cause serious injury, fire, electrical shock, or death.
- **When installing or moving the washer, be careful not to pinch, crush, or damage the power cord.** Failure to follow this warning can cause serious injury, fire, electrical shock, or death.
- **The washer must be installed and electrically grounded by a qualified service person in accordance with local codes** to prevent shock hazard and assure stability during operation.
- **The washer is heavy. Two or more people may be needed to install and move the appliance.** Failure to do so can result in back or other injury.
- **Store and install the washer where it will not be exposed to temperatures below freezing or exposed to outdoor weather conditions.** Failure to follow this warning can cause serious leak damage.
- **Do not install the washer in humid spaces to reduce the risk of electric shock.** Failure to follow this warning can cause serious injury, fire, electrical shock, or death.
- **To reduce the risk of personal injury, adhere to all industry recommended safety procedures including the use of long sleeved gloves and safety glasses.** Failure to follow all of the safety warnings in this manual could result in property damage, personal injury or death.

# IMPORTANT SAFETY INSTRUCTIONS

## READ ALL INSTRUCTIONS BEFORE USE

**⚠ WARNING** For your safety, the information in this manual must be followed to minimize the risk of fire or explosion, electric shock, or to prevent property damage, personal injury, or loss of life.

## SAFETY INSTRUCTIONS FOR USE, CARE AND CLEANING, AND DISPOSAL

**⚠ WARNING:** To reduce the risk of fire, electric shock, or personal injury when using this appliance, follow basic precautions, including the following.

- **Unplug the washer before cleaning** to avoid the risk of electric shock.
- **Never use harsh chemicals, abrasive cleaners, or solvents to clean the washer.** They will damage the finish.
- **Do not put oily or greasy rags or clothing on top of the washer.** These substances give off vapors that could ignite the materials.
- **Do not wash items that are soiled with vegetable or cooking oil.** These items may contain some oil after laundering. Due to the remaining oil, the fabric may smoke or catch fire by itself.
- **Disconnect this appliance from the power supply before attempting any user maintenance.** Turning the controls to the **OFF position does not disconnect this appliance from the power supply.** Failure to follow this warning can cause serious injury, fire, electrical shock, or death.
- **Do not combine laundry products for use in one load unless specified on the label.**
- **Do not mix chlorine bleach with ammonia or acids such as vinegar.** Follow package directions when using laundry products. Incorrect usage can produce poisonous gas, resulting in serious injury or death.
- **Do not reach into the washer while parts are moving.** Before loading, unloading, or adding items, press the **START/PAUSE** button and allow the drum to coast to a complete stop before reaching inside. Failure to follow this warning can cause serious injury, fire, electrical shock, or death.
- **Do not allow children to play on or in the washer.** Close supervision of children is necessary when the washer is used near children. As children grow, teach them the proper, safe use of all appliances. Failure to comply with these warnings could result in serious personal injuries.
- **Destroy the carton, plastic bag, and other packing materials after the washer is unpacked.** Children might use them for play. **Cartons covered with rugs, bedspreads, or plastic sheets can become airtight chambers.** Failure to comply with these warnings could result in serious personal injuries.
- **Keep laundry products out of children's reach.** To prevent personal injury, observe all warnings on product labels. Failure to comply with these warnings could result in serious personal injuries.
- **Remove the door to the washing compartment to avoid the danger of children or small animals getting trapped inside before your washer is removed from service or discarded.** Failure to do so can result in serious personal injury or death.

**SAVE THESE INSTRUCTIONS**

# PARTS AND FEATURES

## SPECIAL FEATURES

### **A** DETERGENT DISPENSER DRAWER

This four-compartment drawer provides separate dispensers for pre-wash and main wash detergent, liquid bleach, and liquid fabric softener.

### **B** CONTROL PANEL COLOR LCD DISPLAY SCREEN

The simple electronic controls are user-friendly. The color LCD screen shows cycle options and cycle information and displays status messages during operation.

### **C** EASY-ACCESS LOCKING DOOR

The extra-large door locks during operation and features a delay to prevent the door from being opened until the washer interior has cooled and the water level has lowered.

### **D** HIGH-EFFICIENCY STEAM CYCLES

During LG's unique high-efficiency STEAM cycles, the steam nozzle injects fabrics with hot steam to gently remove tough stains.

### **E** ROLLERJETS

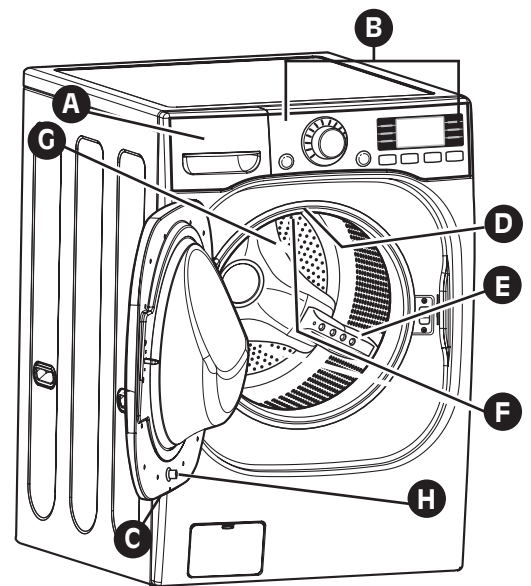
The ROLLERJETS system enhances wash performance while reducing fabric wear. Integrated jets spray clothes to further improve washing efficiency.

### **F** INTERIOR DRUM LIGHT

The drum light illuminates the washer interior for greater visibility when loading and unloading. The ultra long-life LED bulbs should never need replacement.

### **G** INVERTER DIRECT-DRIVE MOTOR

The inverter direct-drive motor eliminates the belt and pulleys found on most washers to provide improved performance and reliability while increasing energy efficiency.



### **H** MAGNETIC DOOR PLUNGER

Safely and conveniently secure the door slightly ajar with a magnetic door plunger.

This will promote air circulation and allow the interior of the machine to dry.

To use this feature, after the load has been removed, do not close the door completely. When the magnetic door plunger comes into contact with the metal washer cabinet, it will secure the door slightly open allowing the interior of the washer to dry.



Protocol P172  
Sanitization Performance of Residential and  
Commercial, Family Sized Clothes Washers

# PARTS AND FEATURES

## KEY PARTS AND COMPONENTS

In addition to the special features and components outlined in the *Special Features* section, there are several other important components that are referenced in this manual.

### A ULTRA-CAPACITY STAINLESS STEEL DRUM

The ultra-large stainless steel drum offers extreme durability and is tilted to improve efficiency and allow easier access for large items.

### B WATER CIRCULATION AND STEAM NOZZLES

The water circulation nozzles spray the water/detergent solution directly onto garments for super cleaning performance. During LG's unique high-efficiency STEAM cycles, the steam nozzle injects fabrics with hot steam to gently remove tough stains.

### C LEVELING FEET

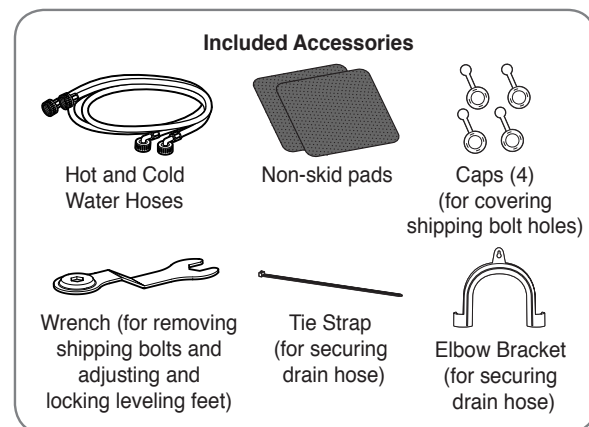
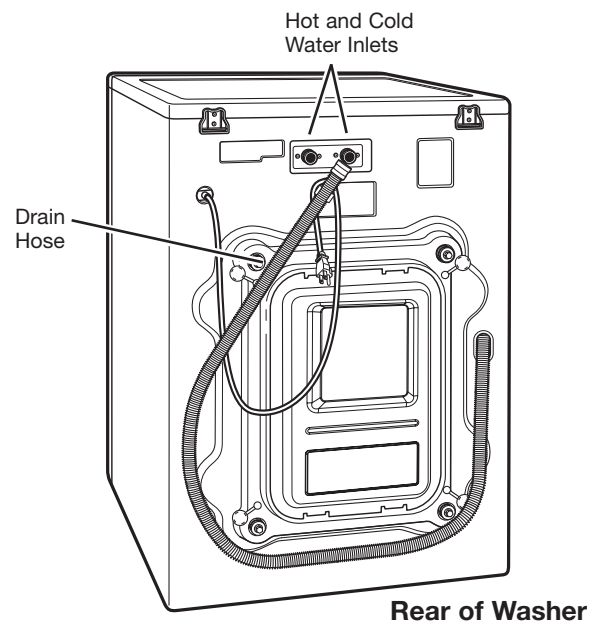
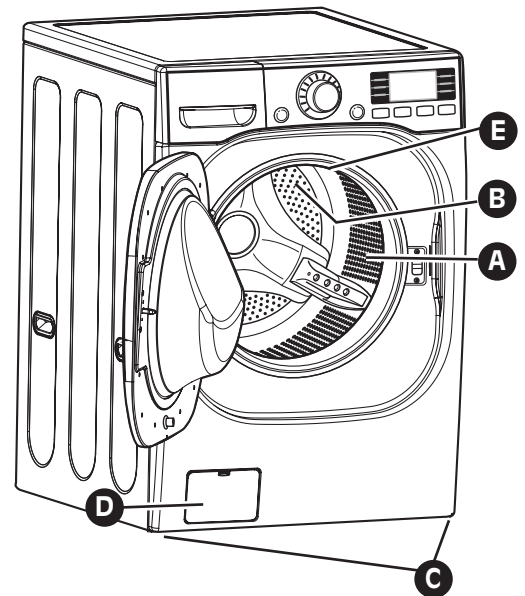
Four leveling feet (two in the front and two in the back) adjust to improve washer stability on uneven floors.

### D DRAIN ACCESS PANEL

Provides access to the drain line and drain pump filter.

### E SELF-CLEANING NOZZLE

The door cleaning nozzle sprays water on the door to remove the bubble and stain. It starts to clean the door during the rinsing process.



# INSTALLATION INSTRUCTIONS

## CHOOSE THE PROPER LOCATION

## CLEARANCES

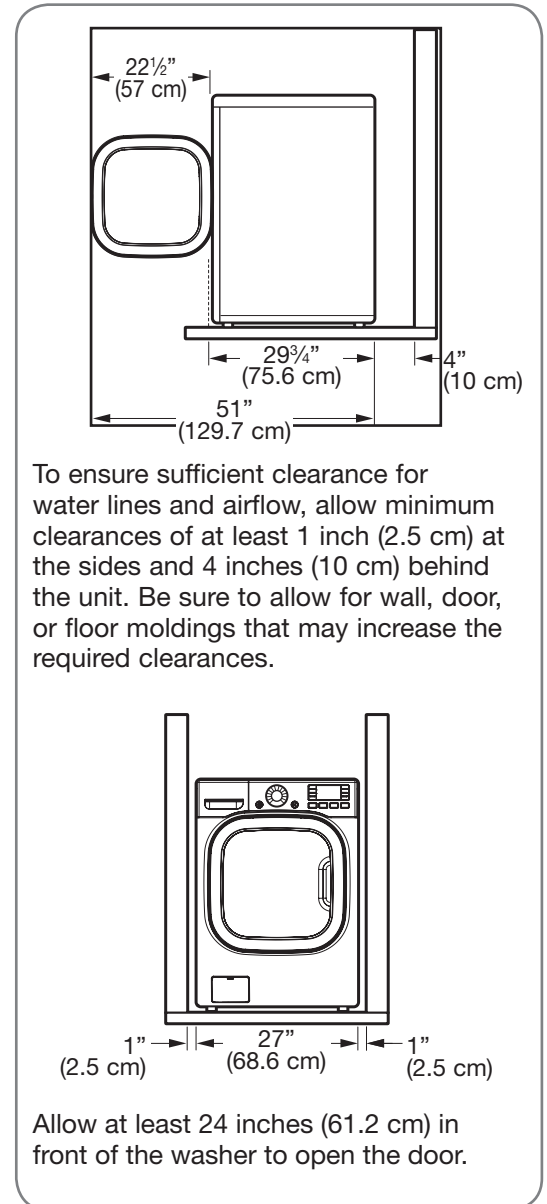
### **⚠ WARNING**

- **Washer is heavy! Two or more people are required when moving and unpacking the washer.** Failure to do so can result in back or other injury.
- **Store and install the washer where it will not be exposed to temperatures below freezing or exposed to outdoor weather conditions.** Failure to follow this warning can cause serious injury, fire, electrical shock, or death.
- **Properly ground washer to conform with all governing codes and ordinances.** Failure to follow this warning can cause serious injury, fire, electrical shock, or death.
- **To reduce the risk of electric shock, do not install the washer in humid spaces.** Failure to follow this warning can cause serious injury, fire, electrical shock, or death.
- The base opening must not be obstructed by carpeting when the washer is installed on a carpeted floor.
- **Do not remove ground prong. Do not use an adapter or extension cord. Plug into a grounded 3-prong outlet.** Failure to follow this warning can cause serious injury, fire, electrical shock, or death.

### **Power Outlet**

- The power outlet must be within 60 inches (1.5 m) of either side of the washer.
- The appliance and outlet must be positioned so that the plug is easily accessible.
- Do not overload the outlet with more than one appliance.
- The outlet must be grounded in accordance with current wiring codes and regulations.
- Time-delay fuse or circuit breaker is recommended.

**NOTE:** It is the personal responsibility and obligation of the product owner to have a proper outlet installed by a qualified electrician.



# INSTALLATION INSTRUCTIONS

## FLOORING

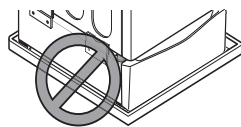
- To minimize noise and vibration, the washer MUST be installed on a solidly constructed floor. See the NOTE below.
- Allowable slope under the entire washer is 1° maximum.
- Carpeting and soft tile surfaces are not recommended.
- Never install the washer on a platform or weakly supported structure. Use only an approved accessory pedestal as described below.

**NOTE:** Please note that the floor must be strong and rigid enough to support the weight of the washer when fully loaded, without flexing or bouncing. If your floor has too much flex in it, you may need to reinforce it to make it more rigid. A floor that is adequate for a top-loading washer may not be rigid enough for a front-loading washer, due to the difference in the spin speed and direction. If the floor is not solid, your washer may vibrate and you may hear and feel the vibration throughout your house.

**NOTE:** Before installing the washer, make sure the floor is clean, dry and free of dust, dirt, water and oils so the washer feet can not slide easily. Leveling feet that can move or slide on the floor can contribute to excess vibration and noise due to poor contact with the floor.



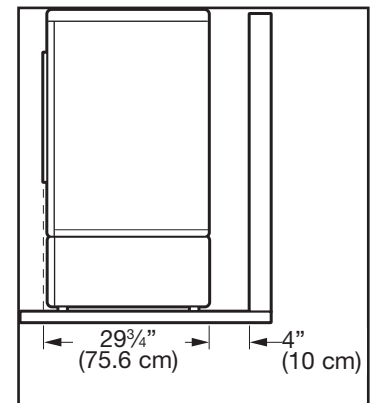
**NOTE:** If a drip pan must be used, take extra care to follow the instructions provided with the drip pan and make sure the leveling feet are adjusted for firm and even contact with the pan. Use of drip pans and failure to properly level the machine may result in increased vibration and noise during operation.



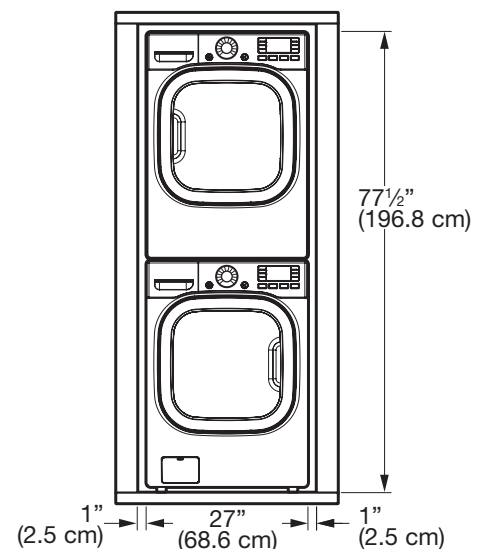
## INSTALLATIONS WITH OPTIONAL PEDESTAL BASE OR STACKING KIT

**IMPORTANT:** If you are installing your washer using an optional pedestal base or stacking kit, please refer to *Optional Accessories* in this manual or to the instructions for your pedestal or stacking kit before proceeding with the installation.

### Required Dimensions for Installation With Pedestal



### Required Dimensions for Installation With Stacking Kit



# INSTALLATION INSTRUCTIONS

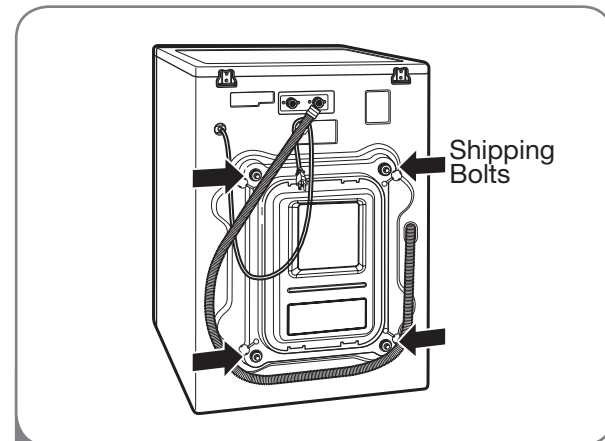
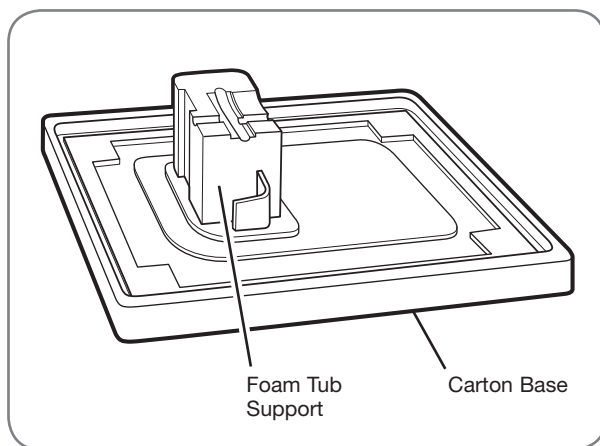
## UNPACKING AND REMOVING SHIPPING BOLTS

When removing the washer from the carton base, be sure to remove the foam tub support in the middle of the carton base.

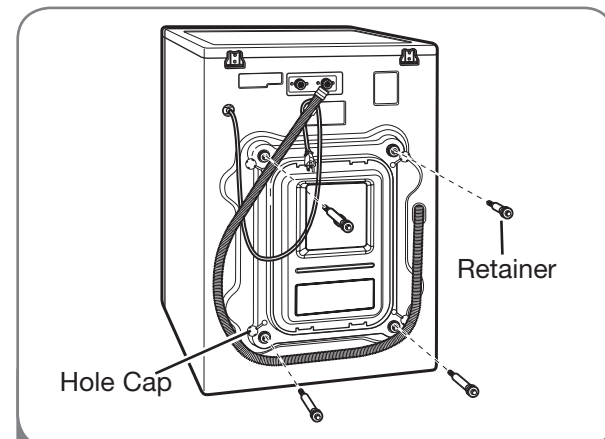
If you must lay the washer down to remove the base packaging materials, always lay it carefully on its side. Do NOT lay the washer on its front or back.

**IMPORTANT:** To prevent internal damage during transport, the washer is equipped with 4 shipping bolts and plastic retainers. These bolts and retainers **MUST** be removed before operating the washer.

- Failure to remove shipping bolts and retainers may cause severe vibration and noise, which can lead to permanent damage to the washer. The cord is secured to the back of the washer with a shipping bolt to help prevent operation with shipping bolts in place.



- 1 Starting with the bottom 2 shipping bolts, use the included wrench to remove the 4 shipping bolts by turning them counterclockwise.



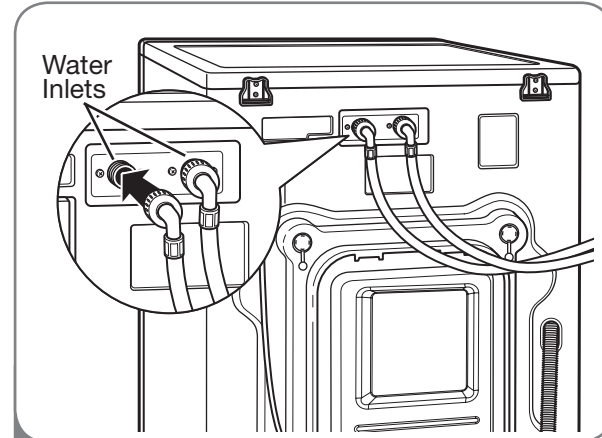
- 2 Remove the retainers by turning them slightly while pulling. Rotate and press the hole caps into the shipping bolt holes.

**NOTE:** Save the bolts and retainers for future use. To prevent damage to internal components, the shipping bolts and retainers must be installed when transporting the washer.

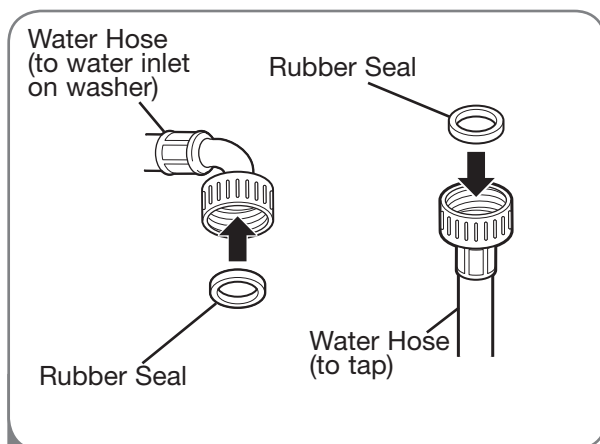
# INSTALLATION INSTRUCTIONS

## CONNECTING THE WATER LINES

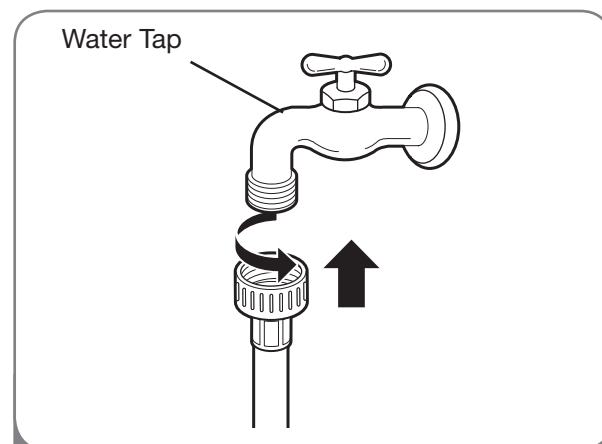
- **IMPORTANT:** Use new hoses when installing the washer. Do NOT reuse old hoses.
- **IMPORTANT:** Use ONLY the inlet hoses provided by LG with this laundry product. Aftermarket hoses are not guaranteed to fit or function correctly. Other hoses may not tighten correctly and could cause leaks. Subsequent damage to product or property will not be covered under the terms of LG's warranty.
- Water supply pressure must be between 14.5 PSI and 116 PSI (100~800 kPa). If the water supply pressure is more than 116 PSI, a pressure reducing valve must be installed.
- Periodically check the hose for cracks, leaks, and wear, and replace the hose if necessary.
- Make sure that the water lines are not stretched, pinched, crushed, or kinked.
- The washer should never be installed or stored in a location subject to freezing temperatures. Damage to the water lines and internal mechanisms of the washer can result. If the washer was exposed to freezing temperatures prior to installation, allow it to stand at room temperature for several hours before use.



- 2** **NOTE:** Do not cross-thread the hose fittings. Attach the hot water line to the red hot water inlet on the back of the washer. Attach the cold water line to the blue cold water inlet on the back of the washer. Tighten the fittings securely.



- 1** Insert a rubber seal into the threaded fittings on each hose.



- 3** Attach the hot water line to the hot water tap. Attach the cold water line to the cold water tap.

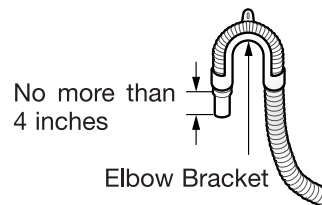
Tighten the fittings securely. Open the water taps fully to check for leaks.

# INSTALLATION INSTRUCTIONS

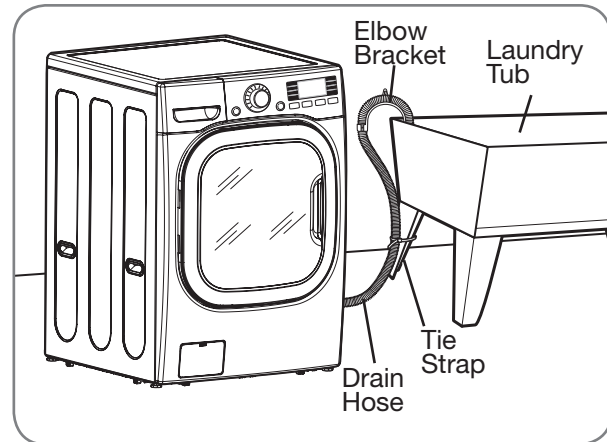
## CONNECTING THE DRAIN LINE

- The drain hose should always be properly secured. Failure to properly secure the drain hose can result in flooding and property damage.
- Do not install the end of the drain hose higher than 96 inches (244.8 cm) above the bottom of the washer.
- The drain must be installed in accordance with any applicable local codes and regulations.
- Make sure that the water lines are not stretched, pinched, crushed, or kinked.

**NOTE:** If the drain hose is extended more than 4 inches beyond the end of the elbow bracket, mold, or microorganisms could spread to the inside of the washer.



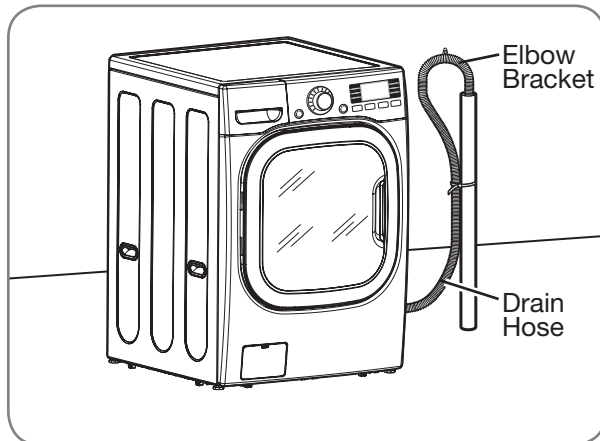
### Option 2: Laundry Tub



Clip the end of the hose into the elbow bracket. Hang the end of the drain hose over the side of the laundry tub. Use tie strap to secure the drain hose in place.

**NOTE:** Total height of the hose end should not exceed 96 inches (244.8 cm) from the bottom of the washer.

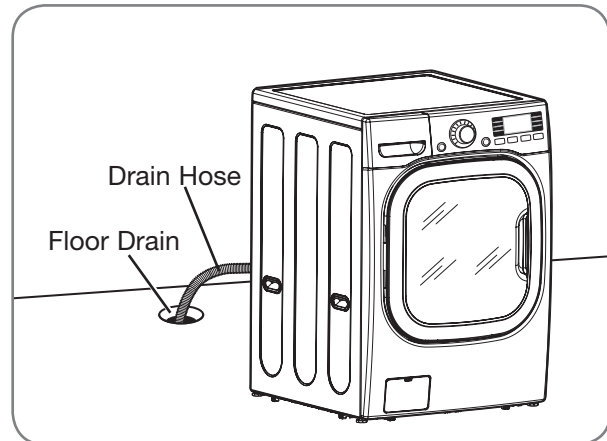
### Option 1: Standpipe



Clip the end of the hose into the elbow bracket. Insert the end of the drain hose into a standpipe. Use tie strap to secure the drain hose in place.

**NOTE:** Total height of the hose end should not exceed 96 inches (244.8 cm) from the bottom of the washer.

### Option 3: Floor Drain



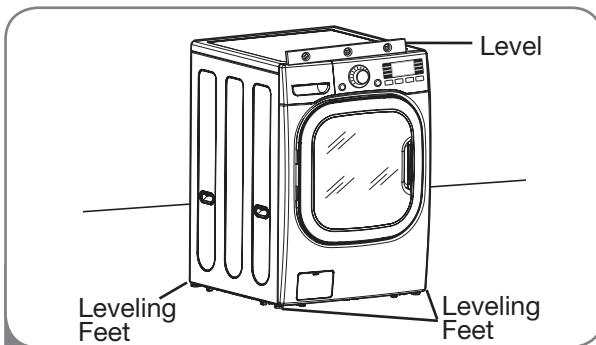
Insert the end of the drain hose into the floor drain. Secure the hose in place to prevent it from moving.

# INSTALLATION INSTRUCTIONS

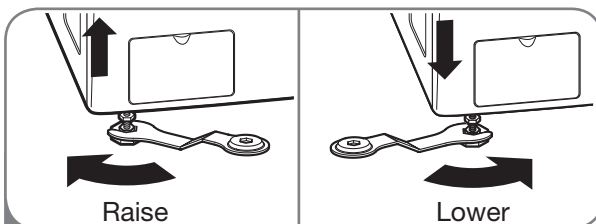
## LEVELING THE WASHER

The drum of your new washer spins at very high speeds, up to 1,400 RPM. To minimize vibration, noise, and unwanted movement, the floor must be a perfectly level, solid surface.

**NOTE:** Adjust the leveling feet only as far as necessary to level the washer. Extending the leveling feet more than necessary can cause the washer to vibrate.



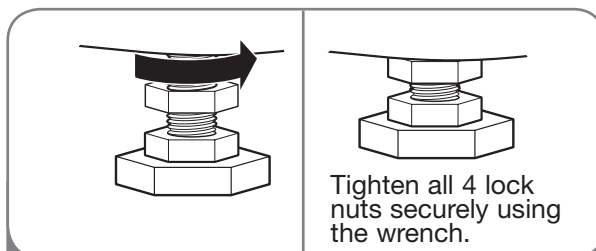
- 1 Position the washer in the final location, taking special care to not pinch, strain, or crush the water and drain lines. Place a level across the top of the washer.



- 2 Loosen the locknuts on all 4 leveling feet until you can turn the feet with the included wrench. Turn clockwise to raise the washer or counterclockwise to lower it.

- All four leveling feet must rest solidly on the floor. Rock the washer gently from corner to corner to make sure that the washer does not rock.

If you are installing the washer on the optional pedestal, you must use the leveling feet on the **pedestal** to level the washer. The washer's leveling feet should be fully retracted and locked into position with the locknuts.



- 3 Once the washer is level from side to side and front to back, tighten all locknuts securely. Make sure that all 4 leveling feet are in firm contact with the floor.

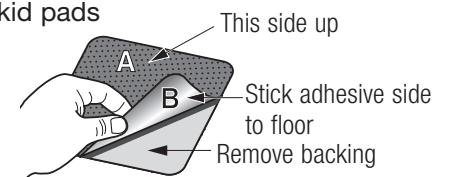
**NOTE:** To make sure that the washer is properly level, run the washer with a test load: place approximately 6 pounds of laundry in the machine. Then press POWER, select RINSE+SPIN cycle, and then press the START/PAUSE button. See the following sections for additional information on cycle selection and operation.

Verify that the washer does not rock or vibrate excessively during the spin cycle. If the washer vibrates or shakes, adjust the leveling feet until the washer is stable and retest.

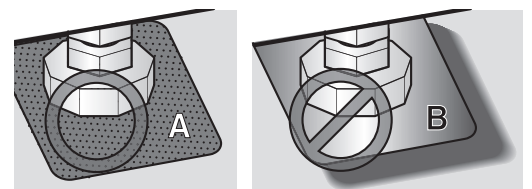
## INSTALLATION OF NON-SKID PADS (OPTIONAL)

Some floor surfaces are too slippery to prevent the washer from moving on the floor during heavily unbalanced loads. While it is normal for an occasional load to be out of balance, excess noise and vibration can result from the washer moving out of position. If these conditions are encountered, follow the instructions below for installation of the non-skid pads. These pads will help prevent the washer from moving during heavy out of balance conditions thereby reducing noise and vibration.

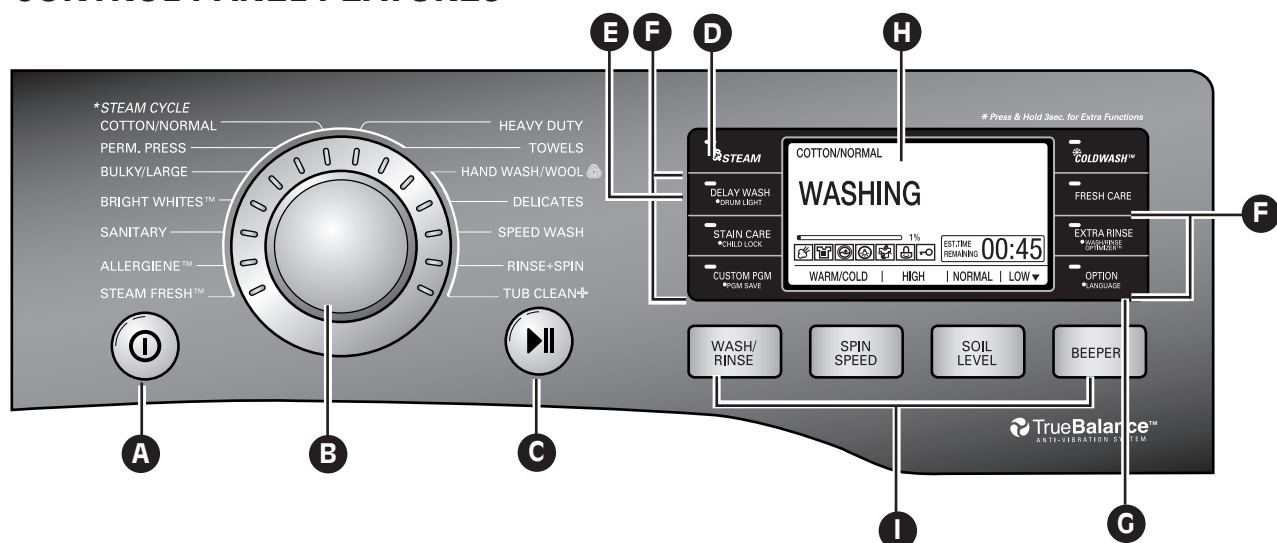
- Non-skid pads



※ Place the pads under both front feet.



## CONTROL PANEL FEATURES



### A POWER ON/OFF BUTTON

Press to turn the washer ON. Press again to turn the washer OFF.

**NOTE:** Pressing the ON/OFF button during a cycle will cancel that cycle and any load settings will be lost.

### B CYCLE SELECTOR KNOB

Turn this knob to select the desired cycle. Once the desired cycle has been selected, the standard presets will be shown in the display. These settings can be adjusted using the cycle setting buttons anytime before starting the cycle.

### C START/PAUSE BUTTON

Press this button to START the selected cycle. If the washer is running, use this button to PAUSE the cycle without losing the current settings.

**NOTE:** If you do not press the START/PAUSE button within 4 minutes of selecting a cycle, the washer automatically turns off.

### D STEAM BUTTON

Press the STEAM button to add steam to the selected cycle for added cleaning power.

**NOTE:** Steam can be added to only the following cycles: STEAM FRESH™, ALLERGIENE™, SANITARY, BRIGHT WHITES™, BULKY/LARGE, PERM. PRESS, COTTON/NORMAL, HEAVY DUTY and TOWELS.

### E DELAY WASH BUTTON

Press this button to DELAY WASH the start of the wash cycle. Each press of the button increases the delay time by one hour, up to 19 hours.

### F SPECIAL FUNCTION BUTTONS

The special function buttons allow you to select additional functions and will light when selected. Certain buttons also allow you to activate secondary functions by pressing and holding the button for 3 seconds.

For detailed information about the individual functions, please see the following pages.

### G OPTION BUTTON

Press this button to select additional cycle options such as WATER PLUS, PRE-WASH and ENERGY USAGE DISPLAY.

Press the button next to the desired option in the display to select. The button will light to show the option has been selected.

### H COLOR LCD DISPLAY

The display shows the settings, estimated time remaining, options, and status messages for your Steam Washer™. The light in the display will remain on through the cycle.

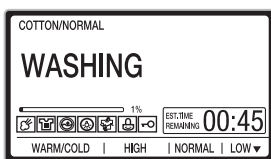
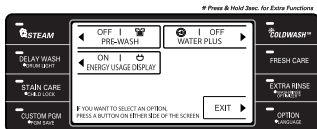
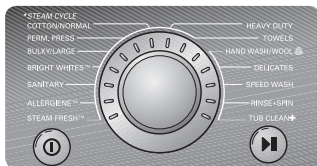
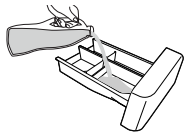
### I CYCLE SETTING BUTTONS

Use these buttons to select the desired cycle options for the selected cycle. The current options are shown in the display. Press the button for that option to view and select other settings.

# HOW TO USE

## OPERATING THE WASHER

**⚠ WARNING:** To reduce the risk of fire, electric shock, or injury to persons, read the IMPORTANT SAFETY INSTRUCTIONS before operating this appliance



### 1 SORT LAUNDRY AND LOAD THE WASHER

Different fabrics have different care requirements. See the Cycle Guide on page 17 for details. For best washing, sort clothes into loads that can be washed with the same wash cycle.

### 2 PUT IN DETERGENT

Open the dispenser drawer and add detergent to the main wash compartment in the dispenser drawer. Add bleach and fabric softener as desired.

### 3 TURN ON THE WASHER

Press the ON/OFF button to turn on the washer. The lights around the cycle selector knob will illuminate.

### 4 SELECT A CYCLE

Turn the cycle selector knob to the desired cycle. The display will show the preset wash/rinse temperature, spin speed, soil level, and option settings for that cycle.

### 5 SELECT CYCLE SETTING

If you would like to change the settings for that cycle, press the option button(s) to display additional settings for that option. Press the button again to cycle through the settings until the desired setting is shown.

**NOTE:** To protect your garments, not every wash/rinse temperature, spin speed, soil level, or option is available with every cycle.

### 6 SELECT CYCLE OPTIONS

Select any additional cycle options, such as STEAM, DELAY WASH, or COLDWASH™ by pressing the button for that option, or by pressing the OPTION button for additional options.

**NOTE:** To protect your garments, not every wash/rinse temperature, spin speed, soil level, or option is available with every cycle.

### 7 BEGIN CYCLE

Press the START/PAUSE button to begin the cycle. To pause the cycle at any time, press START/PAUSE.

**NOTE:** If the temperature in the washer is too high, the door cannot be unlocked until the washer has cooled. If the water level is too high, select the Drain & Spin cycle (see the page 23 for details) to drain excess water. Do not try to force the door open.

### 8 CHECK CYCLE TIME

The door will latch, the display will change, and the washer will calculate the estimated time remaining. Once the washer has calculated the estimated total cycle time, the washer will start.

**NOTE:** Washing time can be reduced significantly for small or lightly soiled loads by selecting the Speed Wash cycle and setting the Soil Level button to Light.

**NOTE:** The cycle time displayed may appear much longer than that of a top loading washer. The displayed time is for the complete cycle, rather than just the agitation portion of the cycle, as is typically shown on a top-loading washer.

# HOW TO USE

## CYCLE GUIDE

The cycle guide below shows the options and recommended fabric types for each cycle.

● = Available option

CYCLE	FABRIC TYPE	WASH/RINSE TEMP.	SPIN SPEED	SOIL LEVEL	PRE-WASH	EXTRA RINSE	STAIN CARE	WATER PLUS	STEAM	COLDWASH™	WASH/RINSE OPTIMIZER™
<b>STEAM FRESH™</b>	Dress shirts, blouses								●		
<b>SANITARY</b>	Heavily soiled underwear, work clothes, diapers, etc.	Extra Hot/Cold	High	Normal							
			Extra High No Spin Low Medium	Heavy Light	●	●	●	●	●		●
<b>BULKY/LARGE</b>	Large items such as blankets and comforters	Warm/Cold	Low	Normal							
		Warm/Warm Hot/Cold Cold/Cold	Medium No Spin	Heavy Light	●	●	●	●	●	●	●
<b>PERM. PRESS</b>	Dress shirts/pants, wrinkle-free clothing, poly/cotton blend clothing, tablecloths	Warm/Cold	Medium	Normal							
		Warm/Warm Hot/Cold Cold/Cold	High No Spin Low	Heavy Light	●	●	●	●	●	●	●
<b>COTTON/NORMAL</b>	Cotton, linen, towels, shirts, sheets, jeans, mixed loads	Warm/Cold	High	Normal							
		Hot/Cold Cold/Cold	Extra High No Spin Low Medium	Heavy Light	●	●	●	●	●	●	●
<b>ALLERGIENE™</b>	Cotton, underwear, pillow covers, bed sheets, baby wear		High								
			Extra High No Spin Low Medium			●		●	●		
<b>HEAVY DUTY</b>	Heavy soiled Cotton Fabrics	Warm/Cold	Extra High	Heavy							
		Warm/Warm Hot/Cold Cold/Cold	No Spin Low Medium High	Light Normal	●	●	●	●	●	●	●
<b>TOWELS</b>	Towels	Warm/Cold	Extra High	Normal							
		Warm/Warm Hot/Cold Cold/Cold	No Spin Low Medium High	Heavy Light	●	●		●	●	●	
<b>HAND WASH/WOOL</b>	Items labeled "hand-washable"	Warm/Cold	Low	Normal							
		Warm/Warm Cold/Cold	No Spin	Light						●	
<b>DELICATES</b>	Dress shirts/blouses, nylons, sheer or lacy garments	Cold/Cold	Medium	Normal							
		Warm/Cold Warm/Warm	No Spin Low	Heavy Light	●	●		●		●	
<b>SPEED WASH</b>	Lightly soiled clothing and small loads	Hot/Cold	Extra High	Light							
		Cold/Cold Warm/Cold Warm/Warm	No Spin Low Medium High	Normal Heavy		●				●	
<b>RINSE + SPIN</b>	Rinse and Spin	Cold/Cold	High								
			Extra High No Spin Low Medium			●		●			
<b>BRIGHT WHITES™</b>	White Fabrics	Hot/Cold	High	Normal							
		Cold/Cold Warm/Cold Warm/Warm	Extra High No Spin Low Medium	Heavy Light	●	●	●	●	●		
<b>TUB CLEAN+</b>	This cycle is designed to remove a mildewy								●		

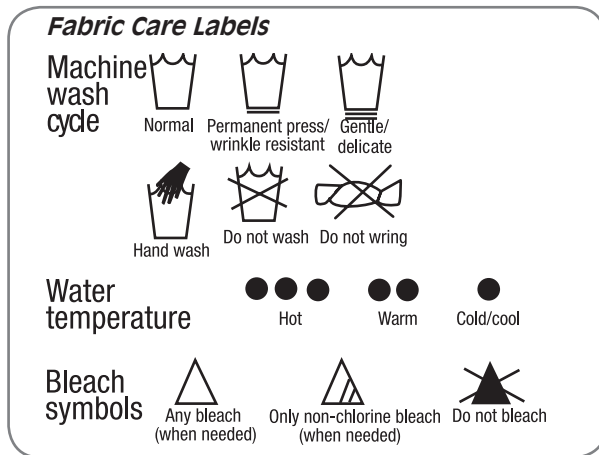
**NOTE:** To protect your garments, not every wash/rinse temperature, spin speed, soil level, or option is available with every cycle.

# HOW TO USE

## SORTING WASH LOADS

### Fabric Care Labels

Most articles of clothing feature fabric care labels that include instructions for proper care.



- Large items should not be more than half of the total wash load.
- The washer can be fully loaded, but the drum should not be tightly packed with items. The door of the washer should close easily.
- To prevent an out-of-balance load, do not wash single items. Add one or two similar items to the load. Large, bulky items, such as a blanket, comforter, or bedspread should be washed individually.
- Do not wash or spin waterproof clothes.
- When unloading the washer, check under the door seal for small items.

**NOTE:** The front loading washer rotates the wet laundry to wash it with less water. If you do not see the water during washing, it is not a problem because the laundry is sufficiently wet.

### Grouping Similar Items

For best results, sort clothes into loads that can be washed with the same wash cycle.

Different fabrics have different care requirements.

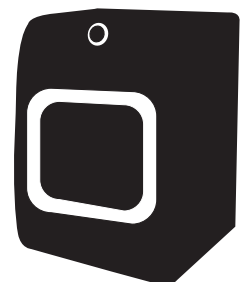
Always wash dark colors separately from light colors and whites to prevent discoloration. If possible, do not wash heavily soiled items with lightly soiled ones. The chart below shows recommended groupings.

**Sort Laundry...**

by Colors	by Soil	by Fabric	by Lint
Whites	Heavy	Delicates	Lint Producer
Lights	Normal	Easy Care	Lint Collector
Darks	Light	Sturdy	

### Loading the Washer

- Check all pockets to make sure that they are empty. Items such as clips, matches, pens, coins, and keys can damage both your washer and your clothes.
- Close zippers, hooks, and drawstrings to prevent these items from snagging or tangling on other clothes.
- Pre-treat heavily stained areas for best results.
- Combine large and small items in a load. Load large items first.



# HOW TO USE

## SELECTING DETERGENT

**IMPORTANT:** Your Steam Washer™ is designed for use with **only** High-Efficiency (HE) detergents. HE detergents are formulated specifically for front-load washers and contain suds-reducing agents. Always look for the HE symbol when purchasing detergent.

HE detergents produce fewer suds, dissolve more efficiently to improve washing and rinsing performance, and help to keep the interior of your washer clean.

Using a regular detergent may cause excessive sudsing and unsatisfactory performance.

**IMPORTANT:** Do not place or store laundry products, such as detergent, bleach, or liquid fabric softener, on top of your washer or dryer. Wipe up any spills immediately. These products can damage the finish and controls.



Designed specially to use only HE (High-Efficiency) detergent

## ABOUT THE DISPENSER

The automatic dispenser consists of four compartments which hold:

- Liquid chlorine bleach.
- Liquid fabric softener.
- Liquid or powdered detergent for pre-wash.
- Liquid or powdered detergent and color-safe bleach for main wash.

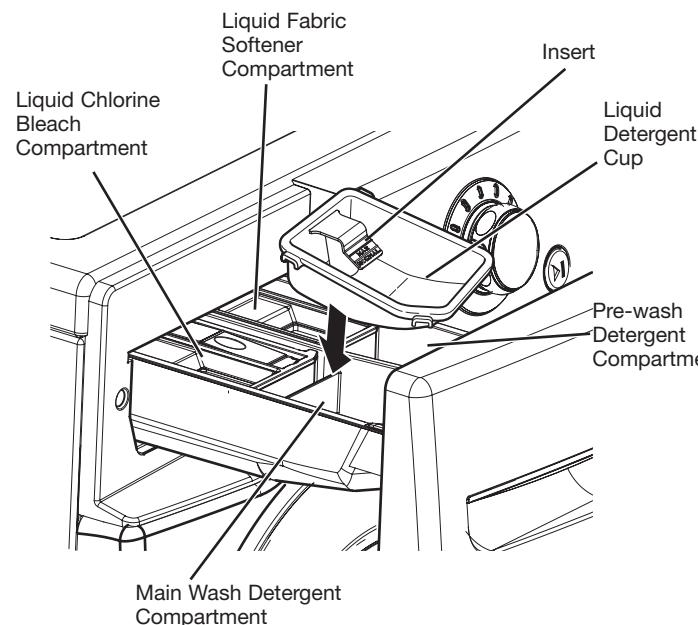
All laundry products can be added at once in their respective dispenser compartments. They will be dispensed at the appropriate time for the most effective cleaning.

After adding the laundry products to the dispenser, close the dispenser drawer.

To add detergent, bleach, and fabric softener to the automatic dispenser:

- 1 Open the dispenser drawer.
- 2 Load the laundry products into the appropriate compartments.
- 3 Slowly close the dispenser drawer to avoid early dispensing of the laundry products.

**NOTE:** It is normal for a small amount of water to remain in the dispenser compartments at the end of the cycle.



# HOW TO USE

## LOADING THE DISPENSER

### *Pre-wash Detergent Compartment*

Add liquid or powdered detergent to this compartment when using the pre-wash option. Always use HE (High-Efficiency) detergent with your washing machine.

- The amount of detergent added for the pre-wash option is  $\frac{1}{2}$  the amount recommended for the main wash cycle. For example, if the main wash cycle requires one measure of detergent, add  $\frac{1}{2}$  measure for the pre-wash option.

**NOTE:** If liquid detergent is to be used for the main wash when using the pre-wash option, the liquid detergent cup accessory **must** be used in main wash dispenser to prevent the main wash liquid detergent from being dispensed immediately.

### *Main Wash Detergent Compartment*

This compartment holds laundry detergent for the main wash cycle, which is added to the load at the beginning of the cycle. Always use HE (High-Efficiency) detergent with your washing machine.

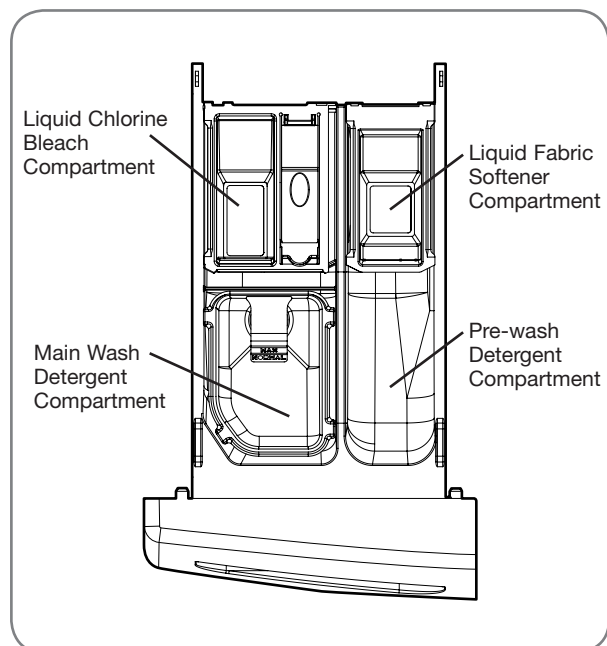
**Never** exceed the manufacturer's recommendations when adding detergent. Using too much detergent can result in detergent buildup in clothing and the washer. Either powdered or liquid detergent may be used.

- When using liquid detergent, make sure the liquid detergent cup and insert are in place. Do not exceed the maximum fill line.
- When using powdered detergent, remove the insert and liquid detergent cup from the compartment. Powdered detergent will not dispense with the liquid detergent cup and insert in place.

**NOTE:** Liquid or powdered color-safe bleach may be added to the main wash compartment with detergent of the same type.



Designed specially to use only HE (High-Efficiency) detergent



### *Liquid Bleach Compartment*

This compartment holds liquid chlorine bleach, which will be dispensed automatically at the proper time during the wash cycle.

- Do not add powdered or liquid color-safe bleach to this compartment.
- Always follow the manufacturer's recommendations when adding bleach. Do not exceed the maximum fill line. Using too much bleach can damage fabrics.
- Never pour undiluted liquid chlorine bleach directly onto the load or into the drum. Fabric damage can occur.

### *Fabric Softener Compartment*

This compartment holds liquid fabric softener, which will be automatically dispensed during the final rinse cycle.

- Always follow the manufacturer's recommendations when adding fabric softener. Do not exceed the maximum fill line. Using too much fabric softener may result in stained clothes.
- Dilute concentrated fabric softeners with warm water. Do not exceed the maximum fill line.
- Never pour fabric softener directly onto the load or into the drum.

## THE COLOR LCD DISPLAY

The color LCD display shows the settings, estimated time remaining, options, and status messages for your washer. When the washer is turned on, the light in the display will illuminate.

### A STATUS/CYCLE DISPLAY

This portion of the display shows the selected cycle, operating status, and special messages. If a cycle has special instructions, they will also be displayed in this area.

### B ESTIMATED TIME REMAINING

When the START/PAUSE button is pressed, the washer automatically detects the wash load (weight) and optimizes the washing time, based on the selected cycle and options. The display will then indicate the estimated time remaining for the selected wash cycle.

**NOTE:** The cycle time displayed may appear much longer than that of a top-loading washer. The displayed time is for the complete cycle, rather than just the agitation portion of the cycle, as is typically shown on a top-loading washer.

### C CYCLE COMPLETION INDICATOR

Shows how much of the current wash cycle has been completed.

### D CYCLE NAME INDICATOR

This indicator shows the operating cycle.

### E STEAM INDICATOR

This indicator shows that the washer has been set for the STEAM option.

### F PRE-WASH INDICATOR

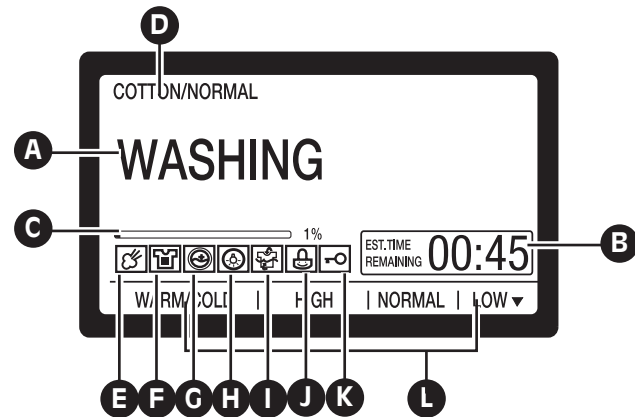
This indicator shows that the washer has been set for the PRE-WASH option.

### G WATER PLUS INDICATOR

This indicator shows that the washer has been set for the WATER PLUS option.

### H DRUM LIGHT INDICATOR

This indicator shows that the washer has been set for the DRUM LIGHT option.



### I WASH/RINSE OPTIMIZER™ INDICATOR

This indicator shows that the washer has been set for the WASH/RINSE OPTIMIZER™ option.

### J CHILD LOCK INDICATOR

When CHILD LOCK is set, the Child Lock indicator will appear and all buttons are disabled except the ON/OFF button. This prevents children from changing settings while the washer is operating.

### K DOOR LOCK INDICATOR

Indicates that the door is locked. The washer door will lock while the washer is operating. The door can be unlocked by pressing the START/PAUSE button to stop the washer.

**NOTE:** If the temperature in the washer is too high, the door cannot be unlocked until the washer has cooled. If the water level is too high, select the Drain & Spin cycle (see the page 23 for details) to drain excess water. Do not try to force open the door.

### L CYCLE SETTING INDICATORS

These indicators show the current cycle settings for WASH/RINSE, SPIN SPEED, SOIL LEVEL, and BEEPER. To change these settings, press the appropriate settings button.

**NOTE:** To protect your garments, not every wash/rinse temperature, spin speed, soil level, or option is available with every cycle.

# HOW TO USE

## STEAM CYCLES



STEAM cycles include the STEAM FRESH™, ALLERGIENE™, SANITARY, BRIGHT WHITES™, BULKY/LARGE, PERM.PRESS, COTTON/NORMAL, HEAVY DUTY and TOWELS cycles. Adding the Steam option to these cycles provides superior cleaning performance while reducing energy and water consumption.

By using a hot steam spray from above and cooler water below, fabrics get the cleaning benefits of a super hot wash, without the energy usage or potential damage to fabrics.

### To Add STEAM to a Standard Cycle:

- 1 Turn on the washer and turn the cycle selector knob to select a cycle with the STEAM option.
- 2 Press the STEAM button. The washer will automatically adjust the cycle settings.
- 3 Set any other desired options.
- 4 Press the START/PAUSE button to start the cycle. The washer will start automatically.

### CAUTION:

**Do not touch the door during steam cycles. The door surface can become very hot. Allow the door lock to release before opening the door.**

**Do not attempt to override the door lock mechanism or reach into the washer during a steam cycle. Steam can cause severe burns.**

### IMPORTANT NOTES ABOUT STEAM CYCLES:

- Steam may not be clearly visible during the steam cycles. This is normal. Too much steam could damage clothing.
- Do not use steam with delicate fabrics such as wool, silk, or easily discolored fabrics.
- Do not touch the door.

### Using the Steam Fresh™ Cycle

Steam Fresh™ uses the power of steam alone to quickly reduce wrinkles and odor in fabrics. It brings new life to wrinkled clothes that have been stored for an extended time and makes heavily wrinkled clothes easier to iron. Steam Fresh™ can also be used to help reduce odors in fabrics.

### To Use the Steam Fresh™ Cycle:

- 1 Turn on the washer and turn the cycle selector knob to select the Steam Fresh™ cycle.
- 2 Load up to 5 items and close the door.  
**NOTE:** If there is any moisture inside the drum, such as from a previous wash cycle, wipe the drum dry with a towel before adding clothes.
- 3 Press the STEAM button until the correct number of items is shown in the display. No other options need to be set.
- 4 Press the START/PAUSE button to start the cycle.

After the Steam Fresh™ cycle is complete, the washer will tumble the clothes for up to 30 minutes to prevent wrinkling.

After removing clothes from the Steam Fresh™ cycle, they may feel slightly damp. Place clothes on a hanger for at least 10 minutes to allow them to dry.

- The Steam Fresh™ cycle is not recommended for use with 100% cotton clothing.
- Remove stains from clothing before using the Steam Fresh™ cycle; the high heat could cause stains to set permanently.
- Do not use Steam Fresh™ with the following items : wool, blankets, leather jackets, silk, wet clothes, lingerie, foam products, or electric blankets.
- Best results are achieved when articles are of similar size and fabric type. Do not overload.


## SPEED WASH CYCLE

Use the Speed Wash cycle to quickly wash lightly soiled clothing and small load. For high wash and rinse efficiency, it is recommended to wash small loads of 2-3 lightly soiled garments.

**NOTE:** Use a little detergent in this cycle. If you want more rinsing, you can add extra rinse by using the option button.

## COLDWASH™ CYCLES



COLDWASH™ cycles include the COTTON/NORMAL, PERM. PRESS, BULKY/LARGE, HEAVY DUTY, TOWELS, DELICATES, HANDWASH/WOOL , and SPEED WASH cycles.

Adding the COLDWASH™ option to these cycles provides reduce energy usage and same washing performance as warm wash. By using 6 different washing motion (Tumbling, Rolling, Stepping, Scrubbing, Swing, Filtration), fabrics get the cleaning benefits, without the energy usage.

To Add COLDWASH™ to a Standard Cycle:

- 1 Turn on the washer and turn the cycle selector knob to select a cycle with the COLDWASH™ option.
- 2 Press the COLDWASH™ button. The washer will automatically adjust the cycle settings.
- 3 Set any other desired options.
- 4 Press the START/PAUSE button to start the cycle. The washer will start automatically.

### IMPORTANT NOTES ABOUT COLDWASH™ CYCLES:

- When you select the COLDWASH™ option, wash time will be increased up to 10 minutes.
- For high wash efficiency, it is recommended to use less than 8 pounds.

## CYCLE SETTING BUTTONS

Each cycle has preset settings that are selected automatically. You may also customize the settings using the cycle setting buttons. Press the button for that option to view and select other settings.

The washer automatically adjusts the water level for the type and size of wash load for best results and maximum efficiency. It may seem there is no water inside the drum in some cycles, but this is normal.

**NOTE:** To protect your garments, not every wash/rinse temperature, spin speed, soil level, or option is available with every cycle. See the Cycle Guide for details.

### WASH/RINSE



Selects the wash and rinse temperature combination for the selected cycle. Press the WASH/RINSE button repeatedly to scroll through available settings.

- Your washer features a heating element to boost the hot water temperature for Extra Hot settings. This provides improved wash performance at normal water heater settings.
- Select the water temperature suitable for the type of load you are washing. Follow the fabric care label for best results.
- Warm rinses leave the loads drier than cold rinses. Warm rinses can increase wrinkling.
- In cold climates, a warm rinse makes the load more comfortable to handle.
- Cold rinses use less energy.

### SOIL LEVEL



Adjusts the selected cycle to allow more time for heavily soiled clothes or less time for lightly soiled clothes.

### SPIN SPEED



The washer drum spins at up to 1,400 RPM. This reduces drying time and saves energy.

Press the SPIN SPEED button to select the maximum spin speed. Some fabrics, such as delicates, require a slower spin speed.

#### The Drain & Spin cycle:

The Spin Speed button also activates the Drain & Spin cycle to drain the tub and spin clothes; for example, if you want to remove clothes before the cycle has ended.

To activate the **DRAIN & SPIN** cycle:

- 1 Press the ON/OFF button to turn on the washer.
- 2 Press the SPIN SPEED button.
- 3 Select the desired spin speed.  
**NOTE:** If NO SPIN is selected, the washer will drain only.
- 4 Press the START/PAUSE button.

### BEEPER



Adjusts the volume of the end-of-cycle beeper, or turns it off.

# HOW TO USE

## SPECIAL FUNCTION BUTTONS

Your Steam Washer™ features several additional cycle options to customize cycles to meet your individual needs. Certain option buttons also feature a special function (see the following page for details) that can be activated by pressing and holding that option button for 3 seconds.

### To Add Cycle Options to a Cycle:

- 1 Turn on the washer and turn the cycle selector knob to select the desired cycle.
- 2 Use the cycle setting buttons to adjust the settings for that cycle.
- 3 Press the cycle option button(s) for the option you would like to add. The cycle option buttons will light when selected.
- 4 Press the START/PAUSE button to start the cycle. The washer will start automatically.

**NOTE:** To protect your garments, not every wash/rinse temperature, spin speed, soil level, or option is available with every cycle. See the Cycle Guide for details.

### STEAM



Use the STEAM button to add steam to the cycle for extra cleaning power and improved efficiency. See *Steam Cycles*

section for additional details.

**NOTE:** The steam option cannot be used with all cycles.

### DELAY WASH



Once you have selected the cycle and other settings, press this button to delay the start of the wash cycle. Each press of the button increases the delay time by one hour, up to 19 hours.

### STAIN CARE



Use this option for heavily soiled loads that need improved stain treatment. When STAIN CARE is selected, the water temperature for the selected cycle will begin as warm water to help prevent the setting of certain types of stains. Then as the cycle progresses, the water will be heated to higher temperatures to help remove stains that require treatment at higher temperatures. This option is designed for optimum stain removal.

**NOTE:** If STAIN CARE is selected with the SANITARY cycle, the cycle will begin with very hot water since that is default for that cycle and cannot be changed.

### CUSTOM PGM



Use the CUSTOM PGM button to select the course that you saved by using PGM SAVE.

### COLDWASH™



Use this function to save energy by using cold water while ensuring proper washing. For high wash efficiency, it is recommended to use less than 8 pounds.

### FRESH CARE



Use this function when you are not able to unload your clothes, soon after the wash cycle ends. This function provides periodic tumbling for up to about 8 hours to prevent wrinkle. If you press the START/PAUSE or ON/OFF button, you can unload your laundry at anytime.

### EXTRA RINSE



This option will add an extra rinse cycle to the selected cycle. Use this option to help ensure the removal of detergent or bleach residue from fabrics.

### ADD GARMENTS

The add garments function will be able to add garments during the cycle.

When the display show Add Garments, press START/PAUSE button and add the garments.

**NOTE:** This function CANNOT be used when tub temperature or water level is high and during the spin.

## CUSTOM PROGRAM



If you have a special combination of settings that you use frequently, you can save these settings as a CUSTOM PROGRAM.

### To Save a Custom Program:

- 1 Turn on the washer and turn the cycle selector knob to select the desired cycle.
- 2 Use the cycle setting buttons to adjust the settings for that cycle. Set any other desired options.
- 3 Press the cycle option button(s) for the option you would like to add. A confirmation message will be shown in the display.
- 4 Press and hold the CUSTOM PROGRAM button for 3 seconds.

**NOTE:** You may only save one custom program at a time. Pressing and holding the CUSTOM PROGRAM button will overwrite any previously saved custom program.

### To Recall a Custom Program:

- 1 Turn on the washer.
- 2 Press the CUSTOM PROGRAM button.
- 3 Press the START/PAUSE button to start the cycle.

## SECONDARY FUNCTIONS

The special function buttons also activate secondary functions, including CHILD LOCK, DRUM LIGHT, WASH/RINSE OPTIMIZER™, and LANGUAGE. Press and hold the button marked with the secondary function for 3 seconds to activate.

### CHILD LOCK



Use this option to prevent unwanted use of the washer or to keep cycle settings from being changed while the washer is operating. Press and hold the STAIN CARE button for 3 seconds to activate or deactivate the child lock function.

The child lock indicator will be shown in the display, and all buttons are disabled except the ON/OFF button.

**NOTE:** CHILD LOCK lasts after the end of cycle. If you want to deactivate this function, Press and hold the STAIN CARE button for 3 seconds.

### DRUM LIGHT



The drum is equipped with a blue LED light that illuminates when the washer is turned on. This light automatically turns off when the door is closed and the cycle starts. To turn on the light during a cycle, press and hold the DELAY WASH button for 3 seconds. The drum light will illuminate and then turn off automatically after 4 minutes.

### WASH/RINSE OPTIMIZER™



This function can adjust washing & rinsing time efficiently by checking the level of detergent and degree of hardness.

Press and hold the EXTRA RINSE button for 3 seconds to activate or deactivate WASH/RINSE OPTIMIZER™.

- 1 Excessive detergent amount: rinsing cycle is increased.
- 2 Insufficient detergent amount: washing time is increased.
- 3 A small amount of remaining detergent detected, additional rinsing will be added.

### LANGUAGE



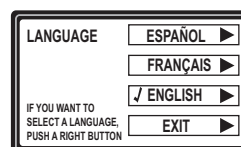
This option allows you to change the language shown in the display. Once set, the selected language will stay set even after the power is

turned off.

The display language options are English, French, and Spanish; English is the default language.

#### To change the language:

- 1 Press the ON/OFF button to turn on the washer.
- 2 Press and hold the OPTION button for 3 seconds, until the following screen appears in the display.



- 3 When OPTION is pushed, English is displayed as the default language. Press the FRESH CARE button to select FRANÇAIS (French) or COLDWASH™ for ESPAÑOL (Spanish).

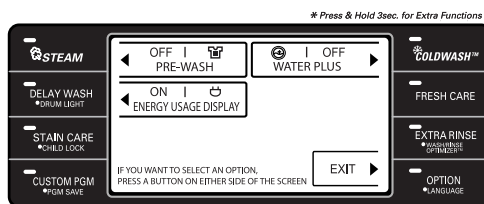
# HOW TO USE

## THE OPTION BUTTONS

Pressing the OPTION button will display cycle options that can be added to regular wash cycles, including WATER PLUS, PRE WASH and ENERGY USAGE DISPLAY.

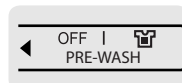
### To activate cycle options:

- 1 Turn on the washer and turn the cycle selector knob to select the desired cycle.
- 2 Press the OPTION button. The cycle options will be displayed: WATER PLUS, PRE WASH and ENERGY USAGE DISPLAY.



- 3 Press the button next to the desired option; the status will change to ON. To turn the option OFF, press the button again.
- 4 To return to the main display, press OPTION again, or wait 3 seconds.
- 5 Press START/PAUSE to start the cycle with the selected options.

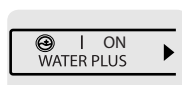
### PRE-WASH



Select this option to add a 17-minute pre-wash and spin cycle to the chosen cycle. This is especially useful for heavily soiled

items. Press the OPTION button, and then press STEAM button to select PRE-WASH.

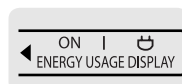
### WATER PLUS



Select this option to add extra water to the wash and rinse cycles for superior results, especially with large or bulky items. Press

the OPTION button, and then press COLDWASH™ button to select WATER PLUS.

### ENERGY USAGE DISPLAY



This option provides the electric energy and operating cost for the cycle you selected on the LCD display. The electric charge is converted at Energy

Star's rate. This is a default option. To turn off this option, press the OPTION button and then press DELAY WASH button. (Estimated operating cost based on eight wash loads a week and a 2007 national average electricity cost of 10.65 cents per kWh and natural gas cost of \$1.218 per therm.)

**NOTE:** Your cost will depend on your utility rates and use. And the electric energy and operating cost display the default of the cycle.

## SPECIAL CARE CYCLES

### ALLERGIENE™

The ALLERGIENE™ cycle is a powerful, high temperature cycle designed specifically to reduce certain allergens.

- Selecting the ALLERGIENE™ cycle automatically incorporates steam into the wash cycle.
- The ALLERGIENE™ cycle can significantly reduce allergens in bedding and clothing.
- The ALLERGIENE™ cycle helps reduce dust mite populations and helps reduce allergens.
- Due to the higher energy and temperatures used, the ALLERGIENE™ cycle is not recommended for wool, silk, leather, or any other delicate or temperature sensitive items.

### HAND WASH/WOOL

- Only woolen items that are designated as Machine-Washable should be washed in this washing machine.
- Wash only small loads for optimum fabric care (less than 8 pounds)
- Only neutral (wool safe) detergents should be used. (Only a small quantity of detergent is needed due to the small load size and low volume of water in the cycle.)
- The HANDWASH/WOOL cycle uses a gentle tumble action and low speed spin for ultimate fabric care



The wool wash cycle of this machine has been approved by Woolmark for the washing of machine washable Woolmark products provided that the products are washed according to the instructions on the garment label and those issued by the manufacturer of this washing machine, M0807



Certified by NSF  
Certificado por NSF

NSF International (formerly the National Sanitation Foundation), certifies that **SANITARY** cycle reduces 99.9% of bacteria on laundry, and none of bacteria will carry over onto the next laundry load.

## REGULAR CLEANING

### **⚠WARNING:**

- **Unplug the washer before cleaning to avoid the risk of electric shock.** Failure to follow this warning can cause serious injury, fire, electrical shock, or death.
- **Never use harsh chemicals, abrasive cleaners, or solvents to clean the washer.** They will damage the finish.

#### ***Cleaning the Exterior***

Proper care of your washer can extend its life. The outside of the machine can be cleaned with warm water and a mild, nonabrasive household detergent. Immediately wipe off any spills with a soft, damp cloth.

**IMPORTANT:** Do not use methylated spirits, solvents, or similar products. Never use steel wool or abrasive cleansers; they can damage the surface.

#### ***Care and Cleaning of the Interior***

Use a towel or soft cloth to wipe around the washer door opening, door seal, and door glass. These areas should be kept clean to ensure a watertight seal. Be sure to wipe under the inside rubber seal to remove any moisture or soil.

Always remove items from the washer as soon as the cycle is completed. Leaving damp items in the washer can cause wrinkling, color transfer, and odor. Run the TUB CLEAN+ cycle regularly to remove detergent buildup and other residue.

**NOTE:** If you use the TUB CLEAN+ cycle on a monthly basis, the wash drum will be kept clean.

#### ***Cleaning the Steam and Water Circulation Nozzles***

Use a cotton swab to remove lime or detergent buildup from the inside of the steam and water circulation nozzles. **NEVER** use a sharp or pointed object; you could damage the nozzles.

#### ***Removing stains on the Door Seal***

**NOTE:** Wear rubber gloves and eye protection while performing the following procedure:

- 1 Dilute  $\frac{3}{4}$  cup (177 ml) liquid chlorine bleach with 1 gallon (3.8 L) of warm/hot water.
- 2 Use this solution to wipe down all surfaces of the gasket to remove the deposits that are causing any odor. (Be sure to fold back the lip of the gasket to get under the edge where residue can build up.)
- 3 Wipe the gasket with a dry cloth.
- 4 Leave the door open to allow the gasket to dry completely.

Do not use undiluted bleach as this will damage the gasket. Follow the manufacturer's instructions for proper use of bleach. If the gasket cannot be cleaned properly, it should be replaced.

**Read these instructions carefully before beginning the TUB CLEAN+ cycle.**

- 1 Open the door and remove any clothing in the wash drum.
- 2 Open the dispenser drawer.
- 3 Add liquid chlorine bleach or tub cleaner.

Some powder or tablet tub cleaners which are manufactured for this purpose can be used.

(NOTE : Do not add any laundry detergent or fabric softener to the drawer when using TUB CLEAN+.)

#### **- If using liquid chlorine bleach**

Add liquid chlorine bleach to the bleach compartment of the drawer.

(NOTE : Do not exceed the maximum fill line and do not pour undiluted liquid bleach directly into the wash drum.)

#### **- If using powder cleaner**

Remove the liquid detergent cup and add powder cleaner to the main wash compartment of the drawer.

#### **- If using tablet cleaner**

Add tablet cleaner to the wash drum directly.

(NOTE : Do not add tablet cleaner to the drawer.)

- 4 Close the drawer and washer door.
- 5 Select TUB CLEAN+ and press START/PAUSE.

**NOTE :** It is recommended that TUB CLEAN+ should be repeated monthly.

If mildew or musty smell already exists, run TUB CLEAN+ for 3 consecutive weeks.

After TUB CLEAN+ is complete or when the washer is not used, leave the washer door open for better ventilation and drying inside of the washer.

# CARE AND CLEANING

## REGULAR CLEANING (CONT.)

### *Storing the Washer*

If the washer will not be used for an extended period of time and is in an area that could be exposed to freezing temperatures:

- 1 Turn off water supply tap.
- 2 Disconnect hoses from water supply and drain water from hoses.
- 3 Plug the power cord into a properly grounded electrical outlet.
- 4 Add 1 gallon of nontoxic recreational vehicle (RV) antifreeze to the empty wash drum. Close door.
- 5 Select the spin cycle and let washer spin for 1 minute to drain out all the water.  
**NOTE:** Not all of the RV antifreeze will be expelled.
- 6 Unplug the power cord, dry the drum interior with a soft cloth, and close the door.
- 7 Remove the inserts from the dispenser. Drain any water in compartments and dry the compartments.
- 8 Store the washer in an upright position.
- 9 To remove the antifreeze from the washer after storage, run washer through a complete cycle using detergent. **Do not add laundry!**

### *Removing lime buildup*

If you live in an area with hard water, lime scale can form on internal components of the washer. Use of a water softener is recommended in areas with hard water. If a descaler is used, make sure that it is suitable for use in a washer, and run the TUB CLEAN+ cycle before washing clothing. Lime scale and other spots may be removed from the stainless steel drum using a stainless steel cleaner. Do NOT use steel wool or abrasive cleansers; they can damage the surface.

### *Notice of tub clean activation*

To clean up the tub, please select the tub clean course. Please empty the tub and insert bleach into the detergent dispenser and push the tub clean button.

### *Keep door open*

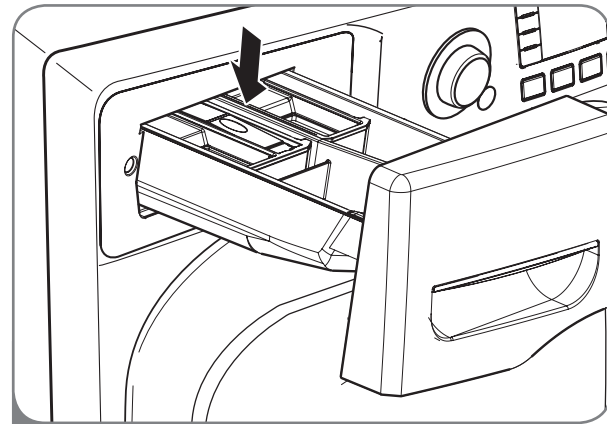
It is recommended to leave the door open after finishing the laundry to keep the tub clean.

**NOTE:** Weekly cleaning of the detergent dispenser will ensure problem free operation.

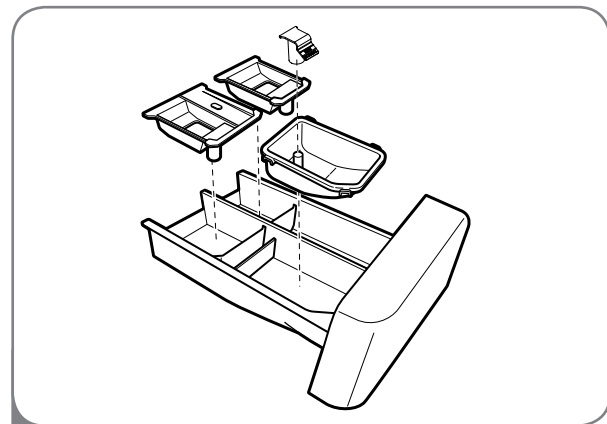
## CLEANING THE WASHER

### *Cleaning the Dispenser*

The dispenser should be cleaned periodically to remove buildup from detergent and other laundry products.



- 1 Pull out the dispenser drawer until it stops. Press the button in the center of the drawer and pull to remove the drawer.



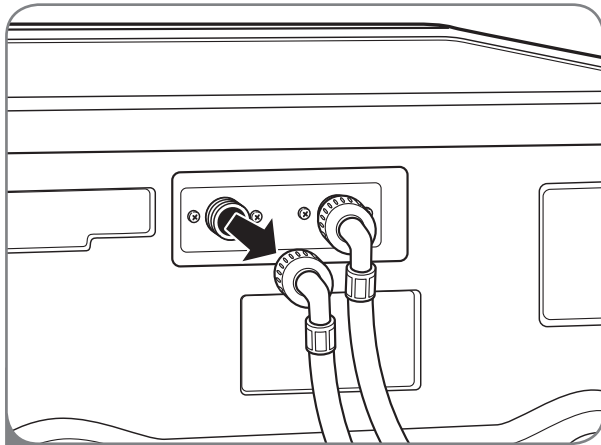
- 2 Remove the inserts from the drawer, and clean them with warm water and a soft cloth or brush to remove any residue or buildup. Wipe out the inside of the drawer opening with a damp cloth. Reassemble the drawer and reinstall in the drawer opening.  
**NOTE:** Do not use anything other than water to clean the drawer, inserts, and drawer opening. If any sort of household cleaner drains into the interior of the washer, run a RINSE+SPIN cycle before washing clothes.

## MAINTENANCE

### *Cleaning the water inlet filters*

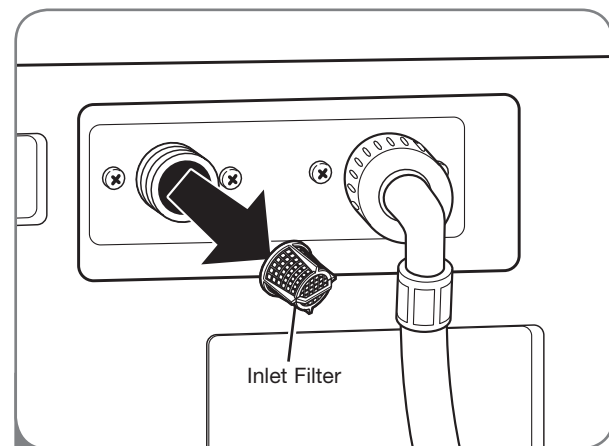
If the washer detects that water is not entering the dispenser, an error message will show on the display. If you live in an area with hard water, this may be caused by clogged inlet filters.

**IMPORTANT:** Use extreme care when removing and cleaning the filters. If the filters cannot be cleaned or are damaged, do NOT operate the washer without the inlet filters. Contact LG Customer Service or a qualified LG servicer.



- 1 Turn off both water taps completely. Unscrew the hot and cold water lines from the back of the washer.

**IMPORTANT:** Use ONLY the inlet hoses provided by LG with this laundry product. Aftermarket hoses are not guaranteed to fit or function correctly. Other hoses may not tighten correctly and could cause leaks. Subsequent damage to product or property will not be covered under the terms of LG's warranty.



- 2 Carefully remove the filters from the water inlets, and soak them in white vinegar or a lime scale remover, following the manufacturer's instructions. Rinse thoroughly before reinstalling.

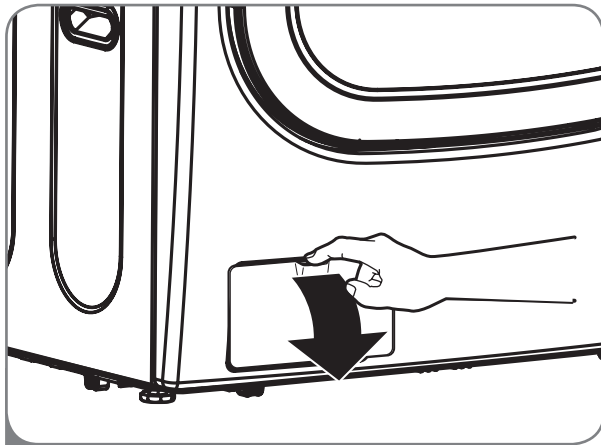
Press the filters back into place and reattach the water lines. Do NOT operate the washer without the inlet filters.

# CARE AND CLEANING

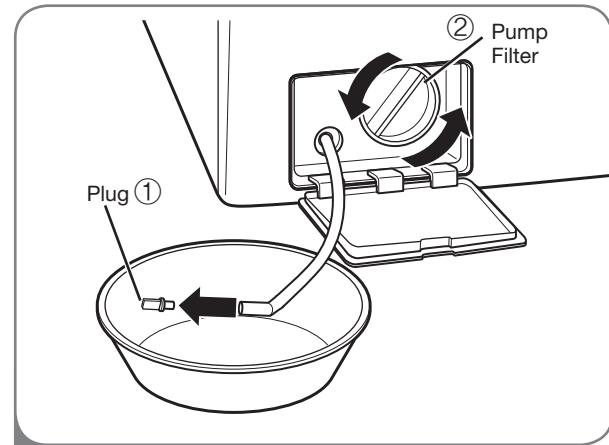
## MAINTENANCE (cont.)

### *Cleaning the Drain Pump Filter*

Lint and other objects may accumulate and clog the drain pump filter. If the washer fails to drain properly, unplug the washer and allow the water to cool, if necessary, before proceeding.

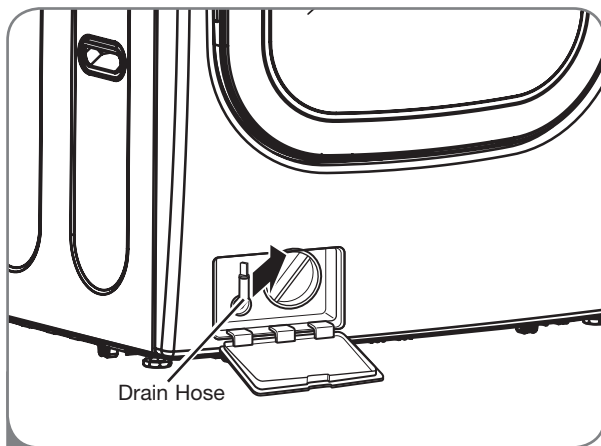


**1** Open the drain pump filter access panel.

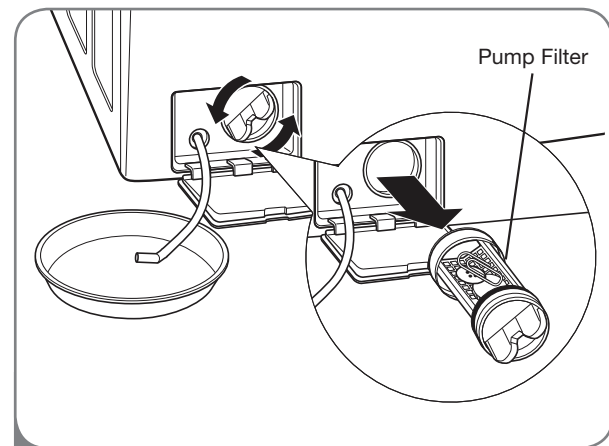


**3** Remove the plug from the drain hose, and allow the water to drain completely. Twist the pump filter counterclockwise to remove. Remove any lint and foreign objects from the pump filter.

Reverse the above steps to reinstall the drain pump filter and drain hose. Be sure to close the cover panel when finished.



**2** Unclip the drain hose and pull it out. Place the end of the drain hose in a pan, bucket, or floor drain to catch water.



**4** Twist the pump filter counterclockwise to remove. Remove any lint and foreign objects from the pump filter.

Reverse the procedures described in the steps above to reinstall the filter and drain plug. Be sure to close the cover.

# TROUBLESHOOTING

## NORMAL SOUNDS YOU MAY HEAR

The following sounds may be heard while the washer is operating. They are normal.

**Clicking:**

Door lock relay when the door locks and unlocks.

**Spraying or hissing:**

Steam or water spraying or circulating during the cycle.

**Humming or gurgling:**


Drain pump pumping water from the washer at the end of a cycle.

**Splashing:**

Clothes tumbling in the drum during the wash and rinse cycles.

## BEFORE CALLING FOR SERVICE

Your Steam Washer™ is equipped with an automatic error-monitoring system to detect and diagnose problems at an early stage. If your washer does not function properly or does not function at all, check the following before you call for service.

Problem	Possible Causes	Solutions
<b>Rattling and clanking noise</b>	<ul style="list-style-type: none"> <li>Foreign objects, such as keys, coins, or safety pins, may be in drum or pump.</li> </ul>	<ul style="list-style-type: none"> <li>Stop washer and check drum and drain filter for foreign objects. If noise continues after washer is restarted, call for service.</li> </ul>
<b>Thumping sound</b>	<ul style="list-style-type: none"> <li>Heavy wash loads may produce a thumping sound.</li> <li>Washer load may be out of balance.</li> </ul>	<ul style="list-style-type: none"> <li>This is normal. If sound continues, washer is probably out of balance.</li> <li>Stop and redistribute wash load.</li> </ul>
<b>Vibrating noise</b>	<ul style="list-style-type: none"> <li>Shipping bolts and/or packaging materials not removed.</li> <li>Wash load may be unevenly distributed in the drum.</li> <li>Not all leveling feet are resting firmly on the floor.</li> <li>Floor not rigid enough.</li> </ul>	<ul style="list-style-type: none"> <li>See Installation Instructions for removing shipping bolts and packaging.</li> <li>Stop washer and rearrange wash load.</li> <li>Adjust the leveling feet. Make sure all four feet are in firm contact with the floor while the washer is in the spin cycle with a load.</li> <li>Make sure that the floor is solid and does not flex. Refer to “Flooring” in the <i>Installation</i> section.</li> </ul>
<b>Water leaking around washer</b>	<ul style="list-style-type: none"> <li>Fill hose connection is loose at tap or washer.</li> <li>House drain pipes are clogged.</li> </ul>	<ul style="list-style-type: none"> <li>Check hoses. Check and tighten hose connections.</li> <li>Unclog drain pipe. Contact a plumber if necessary.</li> </ul>
<b>Excessive sudsing</b>	<ul style="list-style-type: none"> <li>Too much detergent or incorrect detergent.</li> </ul>	<ul style="list-style-type: none"> <li>Reduce detergent amount or use low-sudsing detergent.</li> </ul>  Only use detergent with the HE (High-Efficiency) logo.
<b>Staining</b>	<ul style="list-style-type: none"> <li>Laundry products added directly to the washer drum.</li> <li>Washer not unloaded promptly.</li> <li>Clothes not sorted properly.</li> </ul>	<ul style="list-style-type: none"> <li>Load the laundry products into the dispenser.</li> <li>Always remove items from the washer as soon as the cycle is completed.</li> <li>Always wash dark colors separately from light colors and whites to prevent discoloration. If possible, do not wash heavily soiled items with lightly soiled ones.</li> </ul>







# TROUBLESHOOTING

## BEFORE CALLING FOR SERVICE (cont.)

Problem	Possible Causes	Solutions
<p><b>Water in the washer drains slowly or not at all, or the display shows:</b></p> <div style="border: 1px solid black; padding: 5px; width: fit-content;"> <p><b>▲ OE ERROR</b> NOT DRAINING. CHECK THE DRAIN HOSE &amp; FILTER. (LGUS)1-800-243-0000 (LGCANADA)1-888-542-2623</p> </div>	<ul style="list-style-type: none"> <li>• Drain hose is bent, pinched, or clogged.</li> <li>• The drain filter is clogged.</li> </ul>	<ul style="list-style-type: none"> <li>• Make sure the drain hose is free of clogs, kinks, etc., and is not pinched behind or under the washer.</li> <li>• Clean the drain filter. See the <i>Care and Cleaning</i> section.</li> </ul>
<p><b>Washer fills with water slowly or not at all, or the display shows:</b></p> <div style="border: 1px solid black; padding: 5px; width: fit-content;"> <p><b>▲ IE ERROR</b> NO WATER SUPPLY. CHECK TAP &amp; HOSE. (LGUS)1-800-243-0000 (LGCANADA)1-888-542-2623</p> </div>	<ul style="list-style-type: none"> <li>• Water supply taps are not open fully.</li> <li>• Water line hoses are kinked, pinched, or bent.</li> <li>• Water inlet filters are clogged.</li> <li>• Water pressure to tap or house is too low.</li> </ul>	<ul style="list-style-type: none"> <li>• Make sure that the water taps are open fully.</li> <li>• Make sure the hoses are not kinked or pinched. Be careful when moving the washer.</li> <li>• Clean the inlet filters. See the <i>Care and Cleaning</i> section.</li> <li>• Check another faucet in the house to make sure that household water pressure is adequate.</li> </ul>
<p><b>Washer will not turn on</b></p>	<ul style="list-style-type: none"> <li>• Power cord is not properly plugged in.</li> <li>• House fuse is blown, circuit breaker has tripped, or power outage has occurred.</li> </ul>	<ul style="list-style-type: none"> <li>• Make sure that the plug is plugged securely into a grounded, 3-prong, 120-VAC, 60-Hz. outlet.</li> <li>• Reset circuit breaker or replace fuse. Do not increase fuse capacity. If the problem is a circuit overload, have it corrected by a qualified electrician.</li> </ul>
<p><b>Washer won't spin, or the display shows:</b></p> <div style="border: 1px solid black; padding: 5px; width: fit-content;"> <p><b>▲ dE ERROR</b> THE DOOR IS OPEN. PLEASE CLOSE THE DOOR COMPLETELY. (LGUS)1-800-243-0000 (LGCANADA)1-888-542-2623</p> </div>	<ul style="list-style-type: none"> <li>• The door is not closed properly.</li> </ul>	<ul style="list-style-type: none"> <li>• Make sure that the door is closed properly and press the START/PAUSE button. After starting a cycle, it may take a few moments before the drum begins to turn or spin. The washer will not spin unless the door is locked (DOOR LOCK will appear in the display).</li> <li>• If the door is closed and locked and the open door error message is displayed, call for service.</li> </ul>
<p><b>Door will not unlock when cycle is stopped or paused</b></p>	<ul style="list-style-type: none"> <li>• Interior temperature of washer is too high.</li> <li>• Water level in washer is too high.</li> </ul>	<ul style="list-style-type: none"> <li>• The washer door has a safety lock to prevent burns. Allow the washer to cool until the DOOR LOCK indicator turns off in the display.</li> <li>• Allow the washer to complete the programmed cycle, or select the Drain &amp; Spin cycle (see the page 23 for details) to drain the water.</li> </ul>
<p><b>Wash cycle time is longer than usual</b></p>	<ul style="list-style-type: none"> <li>• The washer automatically adjusts the wash time for the amount of laundry, water pressure, water temperature, and other operating conditions.</li> </ul>	<ul style="list-style-type: none"> <li>• This is normal. The washer adjusts cycle time automatically to provide optimal results for the selected cycle.</li> </ul>
<p><b>Musty or mildewy odor in washer</b></p>	<ul style="list-style-type: none"> <li>• Incorrect or too much detergent has been used.</li> <li>• Inside of tub not cleaned properly.</li> </ul>	<ul style="list-style-type: none"> <li>• Use only HE (High-Efficiency) detergent in accordance with the manufacturer's instructions.</li> <li>• Run the TUB CLEAN+ cycle regularly. Be sure to wipe around and under the door seal frequently.</li> </ul>
<p><b>Steam is not visible during STEAM cycle</b></p>	<ul style="list-style-type: none"> <li>• This is normal.</li> </ul>	<ul style="list-style-type: none"> <li>• Because it uses pressurized steam, the washer requires very small amounts of steam to achieve optimal results. Excess steam could damage fabrics and reduce efficiency.</li> </ul>

# TROUBLESHOOTING

## BEFORE CALLING FOR SERVICE (cont.)

Problem	Possible Causes	Solutions
<b>Wrinkling</b>	<ul style="list-style-type: none"> <li>Washer not unloaded promptly.</li> <li>Washer overloaded.</li> <li>Hot and cold water inlet hoses are reversed.</li> </ul>	<ul style="list-style-type: none"> <li>Always remove items from the washer as soon as the cycle is completed.</li> <li>The washer can be fully loaded, but the drum should not be tightly packed with items. The door of the washer should close easily.</li> <li>Hot water rinse can set wrinkles in garments. Check the inlet hose connections.</li> </ul>
<b>Drum light does not stay on</b>	<ul style="list-style-type: none"> <li>This is normal.</li> </ul>	<ul style="list-style-type: none"> <li>The drum light shuts off automatically when the washer starts. Press and hold the STAIN CARE button for 3 seconds to turn on the light; it will turn off automatically after 4 minutes.</li> </ul>
<b>The display shows:</b>   <b>UE ERROR</b> LOAD IS OUT OF BALANCE. REARRANGE WASH LOAD. (LGUS)1-800-243- 0000 (LGCANADA)1-888-542-2623	<ul style="list-style-type: none"> <li>Load is too small.</li> <li>Load is out of balance.</li> <li>The washer has an imbalance detection and correction system. If individual heavy articles are loaded (bath mat, bath robe, etc.) and the imbalance is too great, the washer will make several attempts to restart the spin cycle. If an imbalance is still detected, the washer will stop and the error code will be displayed.</li> </ul>	<ul style="list-style-type: none"> <li>Add 1 or 2 similar items to help balance the load.</li> <li>Rearrange items to help balance the load.</li> </ul>
<b>The display shows:</b>   <b>tE ERROR</b> SEE OWNER'S MANUAL. (LGUS)1-800-243- 0000 (LGCANADA)1-888-542-2623	<ul style="list-style-type: none"> <li>Control error.</li> </ul>	<ul style="list-style-type: none"> <li>Unplug the washer and call for service.</li> </ul>
<b>The display shows:</b>   <b>FE ERROR</b> SEE OWNER'S MANUAL. (LGUS)1-800-243- 0000 (LGCANADA)1-888-542-2623	<ul style="list-style-type: none"> <li>Water level is too high due to a faulty water valve.</li> </ul>	<ul style="list-style-type: none"> <li>Close the water taps, unplug the washer, and call for service.</li> </ul>
<b>The display shows:</b>   <b>PE ERROR</b> SEE OWNER'S MANUAL. (LGUS)1-800-243- 0000 (LGCANADA)1-888-542-2623	<ul style="list-style-type: none"> <li>The water level sensor is not working correctly.</li> </ul>	<ul style="list-style-type: none"> <li>Close the water taps, unplug the washer, and call for service.</li> </ul>
<b>The display shows:</b>   <b>LE ERROR</b> SEE OWNER'S MANUAL. (LGUS)1-800-243- 0000 (LGCANADA)1-888-542-2623	<ul style="list-style-type: none"> <li>Thermal overload protection circuit in the motor has been tripped.</li> </ul>	<ul style="list-style-type: none"> <li>Allow the washer to stand for 30 minutes to allow the motor to cool; then restart the cycle. If the LE error code still appears, unplug the washer and call for service.</li> </ul>
<b>The display shows:</b>   <b>PF ERROR</b> THE WASHER EXPERIENCED A POWER FAILURE. RESTART THE CYCLE. (LGUS)1-800-243- 0000 (LGCANADA)1-888-542-2623	<ul style="list-style-type: none"> <li>A power failure has occurred.</li> </ul>	<ul style="list-style-type: none"> <li>Restart the cycle.</li> </ul>

# SPECIFICATIONS/OPTIONAL ACCESSORIES

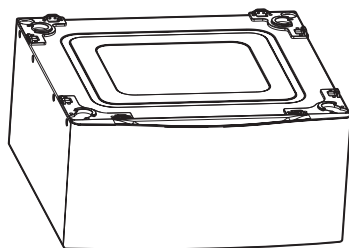
## KEY DIMENSIONS AND SPECIFICATIONS

The appearance and specifications listed in this manual may vary due to constant product improvements.

Steam Washer™ Model LSWF3885HVS	
<b>Description</b>	Front-Loading Washer
<b>Electrical Requirements</b>	120 VAC @ 60 Hz.
<b>Max. Water Pressure</b>	14.5~116 PSI (100~800 kPa)
<b>Dimensions</b>	27"(W) X 29 <sup>3</sup> / <sub>4</sub> "(D) X 38 <sup>11</sup> / <sub>16</sub> "(H), 51"(D with door open) 68.6 cm (W) X 75.6 cm (D) X 98.3 cm (H), 129.7 cm (D with door open)
<b>Net Weight</b>	213.8 lbs. (97 kg)
<b>Max. Spin Speed</b>	1,400 RPM

## OPTIONAL ACCESSORIES

For these and other LG products, contact your local LG dealer, or visit our Web site at [us.lge.com](http://us.lge.com), [ca.lge.com](http://ca.lge.com).



### ***Pedestal***

Give your LG washer and dryer a boost with matching 14-inch high pedestals.

They feature a storage drawer for added convenience.

<b>14" Pedestal</b>	<b>Color</b>
WDP4V	Graphite Steel
WDP4W	White



### ***Stacking Kit***

If space is at a premium, use this kit to securely stack your LG front-load washer and dryer.

<b>Bracket Kit</b>	<b>Color</b>
SSTK1	Titanium
WSTK1	White

# LG ELECTRONICS, INC. LG WASHING MACHINE LIMITED WARRANTY - USA



Your LG Washing Machine will be repaired or replaced, at LG's option, if it proves to be defective in material or workmanship under normal use, during the warranty period ("Warranty Period") set forth below, effective from the date ("Date of Purchase") of original consumer purchase of the product. This warranty is good only to the original purchaser of the product and effective only when used in the United States, including Alaska, Hawaii, and U.S. Territories.

<p><b>WARRANTY PERIOD:</b></p> <p><b>LABOR: Two Year</b> from the Date of Purchase.</p> <p><b>PARTS (except as listed below): Two Year</b> from the Date of Purchase.</p> <p style="padding-left: 40px;"><b>Drum Motor(Stator, Rotor, Hall Sensor) :</b> <b>Ten Years</b> from the Date of Purchase.</p> <p style="padding-left: 40px;"><b>Stainless Steel Drum: Lifetime</b></p> <p>Replacement Units and Repair Parts may be new or remanufactured.</p> <p>Replacement Units and Repair Parts are warranted for the remaining portion of the original unit's warranty period.</p>	<p><b>HOW SERVICE IS HANDLED:</b></p> <p><b>In-Home Service:</b></p> <p>Please retain dealer's dated bill of sale or delivery ticket as evidence of the Date of Purchase for proof of warranty, and submit a copy of the bill of sale to the service person at the time warranty service is provided.</p> <p><b>Please call 1-800-243-0000 and choose the appropriate option to locate your nearest LG Authorized Service Center.</b></p> <p>Or visit our Web site at: <a href="http://www.lgservice.com">http://www.lgservice.com</a>.</p>
---	---

**THIS WARRANTY IS IN LIEU OF ANY OTHER WARRANTY, EXPRESS OR IMPLIED, INCLUDING WITHOUT LIMITATION, ANY WARRANTY OF MERCHANTABILITY OR FITNESS FOR A PARTICULAR PURPOSE. TO THE EXTENT ANY IMPLIED WARRANTY IS REQUIRED BY LAW, IT IS LIMITED IN DURATION TO THE EXPRESS WARRANTY PERIOD ABOVE. NEITHER THE MANUFACTURER NOR ITS U.S. DISTRIBUTOR SHALL BE LIABLE FOR ANY INCIDENTAL, CONSEQUENTIAL, INDIRECT, SPECIAL, OR PUNITIVE DAMAGES OF ANY NATURE, INCLUDING WITHOUT LIMITATION, LOST REVENUES OR PROFITS, OR ANY OTHER DAMAGE WHETHER BASED IN CONTRACT, TORT, OR OTHERWISE.** Some states do not allow the exclusion or limitation of incidental or consequential damages or limitations on how long an implied warranty lasts, so the above exclusion or limitation may not apply to you. This warranty gives you specific legal rights and you may also have other rights that vary from state to state.

**THIS LIMITED WARRANTY DOES NOT APPLY TO:**

- Service trips to your home to deliver, pick up, and/or install the product, instruct, or replace house fuses or correct wiring, or correction of unauthorized repairs.
- Damages or operating problems that result from misuse, abuse, operation outside environmental specifications or contrary to the requirements of precautions in the Operating Guide, accident, vermin, fire, flood, improper installation, acts of God, unauthorized modification or alteration, incorrect electrical current or voltage, or commercial use, or use for other than intended purpose.

The cost of repair or replacement under these excluded circumstances shall be borne by the consumer.

**CUSTOMER INTERACTIVE CENTER NUMBERS**

<p><b>To obtain Customer Assistance, Product Information, or Dealer or Authorized Service Center location:</b></p>	<p><b>Call 1-800-243-0000</b> (24 hours a day, 365 days a year), and select the appropriate option from the menu.</p> <p><b>Or visit our Web site at: <a href="http://www.lgservice.com">http://www.lgservice.com</a>.</b></p>
--	--

**TO CONTACT LG ELECTRONICS  
BY MAIL:**

LG Customer Interactive Center  
P. O. Box 240007  
201 James Record Road  
Huntsville, Alabama 35824  
ATTN: CIC

# LG ELECTRONICS CANADA, INC.

## LG WASHER LIMITED WARRANTY - Canada

**WARRANTY:** Should your LG Washer ("Product") fail due to a defect in material or workmanship under normal home use during the warranty period set forth below, LG Canada will at its option repair or replace the Product upon receipt of proof of original retail purchase. This warranty is valid only to the original retail purchaser of the product and applies only to a Product distributed in Canada by LG Canada or an authorized Canadian distributor thereof. The warranty only applies to Products located and used within Canada.

<b>WARRANTY PERIOD: (Note: If the original date of purchase can not be verified, the warranty will begin sixty (60) days from the date of manufacture).</b>		
<b>Washer</b>	<b>Extended Component Warranty (Parts Only)</b> (Consumer will be charged for Labor <b>after</b> Tow (2) year from the date of purchase)	
<b>Two (2) year from the date of original retail purchase</b>	<b>Ten (10) years from the date of original retail purchase</b>	<b>Five ( 5 ) years from the date of original retail purchase</b>
Parts and Labor (internal/functional parts only)	DD Motor (Stator, Rotor, Hall Sensor)	Drum Tub <b>Define tub, ie, SS wash tub only</b>

- ❖ Replacement products and parts are warranted for the remaining portion of the original warranty period or ninety (90) days, whichever is greater.
- ❖ Replacement products and parts may be new or remanufactured.
- ❖ LG Authorized Service Center warranties their repair work for thirty (30) days.

**LG CANADA'S SOLE LIABILITY IS LIMITED TO THE WARRANTY SET OUT ABOVE. EXCEPT AS EXPRESSLY PROVIDED ABOVE, LG CANADA MAKES NO AND HEREBY DISCLAIMS ALL OTHER WARRANTIES AND CONDITIONS RESPECTING THE PRODUCT, WHETHER EXPRESS OR IMPLIED INCLUDING, BUT NOT LIMITED TO, ANY IMPLIED WARRANTY OR CONDITION OF MERCHANTABILITY OR FITNESS FOR A PARTICULAR PURPOSE AND NO REPRESENTATIONS SHALL BE BINDING ON LG CANADA. LG CANADA DOES NOT AUTHORIZE ANY PERSON TO CREATE OR ASSUME FOR IT ANY OTHER WARRANTY OBLIGATION OR LIABILITY IN CONNECTION WITH THE PRODUCT. TO THE EXTENT THAT ANY WARRANTY OR CONDITION IS IMPLIED BY LAW, IT IS LIMITED TO THE EXPRESS WARRANTY PERIOD ABOVE.**

**LG CANADA, THE MANUFACTURER OR DISTRIBUTOR SHALL NOT BE LIABLE FOR ANY INCIDENTAL, CONSEQUENTIAL, SPECIAL, DIRECT OR INDIRECT DAMAGES, LOSS OF GOODWILL, LOST PROFITS, PUNITIVE OR EXEMPLARY DAMAGES OR ANY OTHER DAMAGE, WHETHER ARISING DIRECTLY OR INDIRECTLY FROM ANY CONTRACTUAL BREACH, FUNDAMENTAL OR OTHERWISE, OR FROM ANY ACTS OR OMISSIONS, TORT, OR OTHERWISE.**

This warranty gives you specific legal rights. You may have other rights which may vary from province to province depending on applicable provincial laws. Any term of this warranty that negates or varies any implied condition or warranty under provincial law is severable where it conflicts with provincial law without affecting the remainder of this warranty's terms.

**THIS LIMITED WARRANTY DOES NOT COVER:**

1. Service trips to deliver, pick up, or install the product; instructing a customer on operation of the product; repair or replacement of fuses or correction of wiring or correction of unauthorized repairs/installation.
2. Failure of the product to perform during power failures and interruptions or inadequate electrical service.
3. Damage caused by leaky or broken water pipes, frozen water pipes, restricted drain lines, inadequate or interrupted water supply or inadequate supply of air.
4. Damage resulting from operating the Product in a corrosive atmosphere or contrary to the instructions outlined in the Product owner's manual.
5. Damage to the Product caused by accidents, pests and vermin, lightning, wind, fire, floods, or acts of God.
6. Damage resulting from the misuse, abuse, improper installation, repair, or maintenance of the Product. Improper repair includes use of parts not approved or specified by LG Canada.
7. Damage or product failure caused by unauthorized modification or alteration, or use for other than its intended purpose, or resulting from any water leakage due to improper installation.
8. Damage or Product failure caused by incorrect electrical current, voltage, commercial or industrial use, or use of accessories, components, or cleaning products that are not approved by LG Canada.
9. Damage caused by transportation and handling, including scratches, dents, chips, and/or other damage to the finish of your product, unless such damage results from defects in materials or workmanship and is reported within one (1) week of delivery.
10. Damage or missing items to any display, open box, discounted, or refurbished Product.
11. Products with original serial numbers that have been removed, altered, or cannot be readily determined. Model and Serial numbers, along with original retail sales receipt, are required for warranty validation.
12. Increases in utility costs and additional utility expenses.
13. Replacement of light bulbs, filters, or any consumable parts.
14. Repairs when your Product is used in other than normal and usual household use (including, without limitation, commercial use, in offices or recreational facilities) or contrary to the instructions outlined in the Product owner's manual.
15. Costs associated with removal of the Product from your home for repairs.
16. The removal and reinstallation of the Product if it is installed in an inaccessible location or is not installed in accordance with published installation instructions, including the Product owner's and installation manuals.
17. Accessories to the Product such as door bins, drawers, handles, shelves, etc.. Also excluded are parts besides those that were originally included with the Product.

All costs associated with the above excluded circumstances shall be borne by the consumer.

For complete warranty details and customer assistance, please call or visit our website:

Call 1-888-542-2623 (24 hours a day, 365 days a year) and select the appropriate option from the menu, or visit our website at <http://www.lg.ca>

Write your warranty information below:

Product Registration Information:

Model:

**Serial Number:**

**Date of Purchase:**



**LG**

Life's Good

# MANUAL DE PROPIETARIO LAVADORA

Lea este manual con cuidado antes de utilizar la lavadora y guárdelo para futuras consultas.

LSWF3885HVS

# INTRODUCCIÓN

## INSTRUCCIONES IMPORTANTES DE SEGURIDAD

Precauciones básicas de seguridad .....	4
Instrucciones para la conexión a tierra .....	4
Instrucciones de seguridad para la instalación.....	5
Instrucciones de seguridad para la utilización, cuidado y limpieza, y la eliminación .....	6

## PIEZAS Y CARACTERÍSTICAS

Características especiales.....	7
Piezas y componentes clave.....	8

## INSTRUCCIONES DE INSTALACIÓN

Escoja el lugar adecuado .....	9
Espacios de instalación.....	9
Tipo de piso.....	10
Instalaciones con la base pedestal o kit de apilado opcionales .....	10
Desembalaje y retiro de los pernos de embalaje... ..	11
Conexión de las tuberías de agua.....	12
Conexión de la tubería de drenaje .....	13
Nivelación de la lavadora .....	14
Instalación de las almohadillas antideslizantes (Opcional) .....	14

## CÓMO USAR

Características del panel de control.....	15
Funcionamiento de la lavadora .....	16
Guía de ciclos.....	17
Clasificación de las cargas de lavado .....	18
Selección de detergente.....	19
Detalles sobre el depósito.....	19
Carga del depósito.....	20
La pantalla de COLOR LCD .....	21
Ciclos de vapor .....	22
Ciclos de lavar rapido.....	22
Ciclos de COLDWASH™ (lavado en frío) .....	23
Botones de ajuste de ciclo.....	23
Botones de función especial .....	24
Programa personalizado .....	25
Funciones secundarias .....	25
Los botones opcionales .....	26
Ciclos de cuidado especial .....	26

## CUIDADOS Y LIMPIEZA

Limpieza regular .....	27
Limpieza de la lavadora.....	28
Mantenimiento.....	29

## RESOLUCIÓN DE PROBLEMAS

Sonidos normales que podría escuchar .....	31
Antes de llamar a mantenimiento.....	31

## ESPECIFICACIONES/ACCESORIOS OPCIONALES

Dimensiones y especificaciones clave.....	35
Accesorios opcionales .....	35

## ¡GRACIAS!

Felicitaciones por su compra y

bienvenido a la familia LG.

Su nueva Steam Washer™ LG

combina la tecnología de lavado

más avanzada con funcionamiento

sencillo y alta eficiencia. Al seguir

las instrucciones de funcionamiento

y mantenimiento de este manual, su

lavadora le brindará muchos años

de servicio confiable.

## GARANTÍA .....

### Información de registro del producto

Modelo:

Número de serie:

Fecha de compra:

Se puede encontrar el número de serie y el modelo en la placa de clasificación en el frente de la lavadora.

Abroche su rebido aquí para su conveniencia en el caso de que lo necesite para la cobertura de garantía.



# INSTRUCCIONES IMPORTANTES DE SEGURIDAD

## LEA TODAS LAS INSTRUCCIONES ANTES DE USAR

**⚠️ ADVERTENCIA** Por su seguridad, debe seguir la información indicada en este manual para minimizar el riesgo de incendio o explosión, descarga eléctrica, o para prevenir daños a la propiedad, lesiones personales o muerte.

### Su Seguridad y la de los demás son de suma importancia.

En este manual y en su electrodoméstico figuran muchos mensajes importantes de seguridad. Lea y cumpla siempre con todos los mensajes de seguridad.



Éste es el símbolo de alerta de seguridad.

El mismo alerta sobre potenciales riesgos de muerte o heridas tanto para usted como para otras personas.

Todos los mensajes de seguridad estarán a continuación del símbolo de alerta de seguridad y con la palabra PELIGRO o ADVERTENCIA. Estas palabras significan:

**⚠️ PELIGRO:** Corre riesgo de muerte o de sufrir heridas serias si no sigue las instrucciones inmediatamente.

**⚠️ ADVERTENCIA:** Corre riesgo de muerte o de sufrir heridas serias si no sigue las instrucciones.

Todos los mensajes de seguridad le indicarán cuál es el riesgo potencial, le dirán cómo reducir las posibilidades de sufrir heridas y qué puede suceder si no se siguen las instrucciones.

# INSTRUCCIONES IMPORTANTES DE SEGURIDAD

## LEA TODAS LAS INSTRUCCIONES ANTES DE USAR

**⚠ADVERTENCIA** Por su seguridad, se debe seguir la información indicada en este manual para minimizar el riesgo de incendio o explosión, descarga eléctrica, o para prevenir daños a la propiedad, lesiones personales, o muerte.

### PRECAUCIONES BÁSICAS DE SEGURIDAD

**⚠ADVERTENCIA** Para minimizar el riesgo de incendio o explosión, descarga eléctrica, o para prevenir lesiones personales cuando use electrodomésticos, se deben seguir precauciones básicas de seguridad, incluyendo las siguientes:

- Antes de usar, la lavadora debe estar correctamente instalada como se describe en este manual.
- No lave artículos que han sido limpiados, lavados, remojados o salpicados previamente con gasolina, disolventes de limpieza en seco, u otras sustancias inflamables o explosivas, ya que emanan vapores que podrían encenderse o explotar.
- No agregue gasolina, disolventes de limpieza en seco u otras sustancias explosivas al agua de lavado. Estas sustancias emanan vapores que podrían encenderse o explotar.
- Bajo ciertas condiciones, se puede producir gas hidrógeno en un sistema de agua caliente que no se haya usado por un plazo de 2 semanas o más. EL GAS HIDRÓGENO ES EXPLOSIVO. Si no se ha usado el sistema de agua caliente durante tal período, antes de utilizar la lavadora, abra todas las llaves de agua caliente y deje que el agua fluya durante algunos minutos. Esto liberará cualquier gas hidrógeno acumulado. Ya que el gas es inflamable, no fume ni use ninguna llama abierta durante este período.
- No deje que los niños jueguen en la lavadora o dentro de ella. Cuando se usa la lavadora cerca de los niños se necesita supervisión minuciosa.
- Antes de poner la lavadora fuera de servicio o de tirarla, quite la puerta para prevenir que los niños se metan dentro.
- No instale ni guarde la lavadora cuando esté expuesta a la intemperie o temperaturas de congelamiento.
- No toque los controles.
- No repare ni cambie ninguna pieza de la lavadora ni intente dar un mantenimiento diferente al descrito en este manual. Recomendamos enfáticamente que el mantenimiento lo brinde una persona calificada.
- Vea las Instrucciones de instalación para referirse a los requisitos de puesta a tierra.
- Siga SIEMPRE las instrucciones de mantenimiento de fábrica provistas por el fabricante de las prendas.
- No coloque artículos expuestos a aceite comestible en su lavadora. Los artículos contaminados con aceites comestibles podrían contribuir a la formación de una reacción química que cause que una carga de lavado se incendie.
- Use suavizadores de tela o productos para eliminar estática únicamente del modo recomendado por el fabricante.
- Esta lavadora no está diseñada para uso marino o instalaciones móviles tales como vehículos recreativos, aeronaves, etc.
- No utilice la lavadora para secar artículos que contengan goma espuma o materiales de goma de texturas similares.
- Cierre las llaves de agua y desenchufe la lavadora si ha dejado la lavadora sin funcionar por un período prolongado de tiempo, como durante las vacaciones.
- El material de embalaje podría resultar peligroso para los niños. ¡Existe el peligro de sufrir sofocación! Mantenga todos los elementos de embalaje fuera del alcance de los niños.
- Antes de cargar la lavadora, siempre revise que no haya objetos extraños en su interior. Mantenga la puerta cerrada cuando no se use.
- No toque el interior del dispositivo si el tambor o el agitador están en movimiento.

### INSTRUCCIONES PARA LA CONEXIÓN A TIERRA

Este aparato debe ser conectado a tierra. Dado el caso de descompostura o mal funcionamiento, la conexión a tierra reduce el riesgo de recibir una descarga eléctrica proveyendo una vía de menor resistencia a la corriente eléctrica. Este aparato esta equipado con un cable que tiene un conductor de equipo a tierra y una clavija de tierra. La clavija debe ser conectada en una toma de corriente adecuada que esté propiamente instalada y conectada a tierra de acuerdo con los códigos y ordenanzas locales.

### ⚠ADVERTENCIA

Una conexión inapropiada del conductor de equipo a tierra puede resultar en riesgo de recibir una descarga eléctrica. Verifique con un electricista calificado si tiene dudas sobre si el aparato esta correctamente conectado a tierra. No modifique la clavija provista con el aparato. Si no encaja con la toma de corriente, haga instalar una toma de corriente adecuada por un electricista calificado. Si no se cumple con esta advertencia se podrán producir heridas graves, incendios, descargas eléctricas, o muerte.

# INSTRUCCIONES IMPORTANTES DE SEGURIDAD

## LEA TODAS LAS INSTRUCCIONES ANTES DE USAR

**⚠ADVERTENCIA** Por su seguridad, se debe seguir la información indicada en este manual para minimizar el riesgo de incendio o explosión, descarga eléctrica, o para prevenir daños a la propiedad, lesiones personales o muerte.

## INSTRUCCIONES DE SEGURIDAD PARA LA INSTALACIÓN

**⚠ADVERTENCIA** Para minimizar el riesgo de incendio o explosión, descarga eléctrica, o para prevenir lesiones personales cuando use electrodomésticos, se deben seguir precauciones básicas de seguridad, incluyendo las siguientes:

- **Consulte las INSTRUCCIONES DE INSTALACIÓN para un procedimiento detallado de conexión a tierra.** Junto con la lavadora se encuentran las instrucciones de instalación como referencia. Si cambiará de lugar la lavadora, contrate a una persona del servicio calificada para que la controle y reinstale. Si no se cumple con esta advertencia se podrán producir heridas graves, incendios, descargas eléctricas, o muerte.
- **Nunca, bajo ninguna circunstancia, corte o elimine el tercer cable (tierra) del cable de corriente.** Si no se cumple con esta advertencia se podrán producir heridas graves, incendios, descargas eléctricas, o muerte.
- **Para su seguridad personal, este electrodoméstico debe estar adecuadamente conectado a tierra.** Si no se cumple con esta advertencia se podrán producir heridas graves, incendios, descargas eléctricas, o muerte.
- **El cable de corriente de este electrodoméstico contiene un enchufe de 3 cables (conexión a tierra) que se conecta a un tomacorriente de pared estándar de 3 cables (conexión a tierra)** para minimizar la posibilidad de riesgos de descargas eléctricas por parte del mismo.
- **La lavadora deberá estar conectada a un tomacorriente con conexión a tierra de 120VAC, 60 Hz.** Si no se cumple con esta advertencia se podrán producir heridas graves, incendios, descargas eléctricas, o muerte.
- **Contrate a un electricista calificado para que controle el tomacorriente y el circuito eléctrico con el fin de asegurar que el enchufe esté correctamente conectado a tierra.** Si no se cumple con esta advertencia se podrán producir heridas graves, incendios, descargas eléctricas, o muerte.
- **En caso de contar con un tomacorriente de pared de 2 cables, es su responsabilidad y obligación reemplazarlo por un tomacorriente de pared de 3 cables correctamente conectado a tierra.** Si no se cumple con esta advertencia se podrán producir heridas graves, incendios, descargas eléctricas, o muerte.
- **No instale sobre alfombra. Instale la lavadora sobre un suelo firme.** Si no se cumple con esta advertencia se podrán producir daños por filtraciones.
- **No elimine el cable de conexión a tierra. No use un adaptador o prolongador. Enchufe en un tomacorriente con conexión a tierra de 3 cables.** Si no se cumple con esta advertencia se podrán producir heridas graves, incendios, descargas eléctricas, o muerte.
- **La lavadora debería estar siempre conectada a un enchufe individual con un índice de voltaje equivalente al que figura en su etiqueta de características técnicas.** Esto garantiza el mejor funcionamiento y además previene la sobrecarga de los circuitos del hogar, lo cual podría ocasionar riesgos de incendio debido al recalentamiento de cables.
- **Nunca desenchufe su lavadora tirando del cable de corriente. Siempre tome su enchufe firmemente y empuje el mismo hacia fuera para retirarlo.** Si no se cumple con esta advertencia se podrán producir heridas graves, incendios, descargas eléctricas, o muerte.
- **Repáre o reemplace de inmediato todos los cables de corriente pelados o con cualquier tipo de daño. No use un cable con cortaduras o abrasión sobre su extensión o extremos.** Si no se cumple con esta advertencia se podrán producir heridas graves, incendios, descargas eléctricas, o muerte.
- **Al instalar o cambiar de lugar la lavadora, evite todo tipo de cortes u otros daños en el cable de corriente.** Si no se cumple con esta advertencia se podrán producir heridas graves, incendios, descargas eléctricas, o muerte.
- **La lavadora debe ser instalada y conectada a tierra por una persona especializada del servicio técnico cumpliendo con los códigos locales** para prevenir riesgos de descargas y asegurar la estabilidad durante el funcionamiento.
- **La lavadora es pesada. Se necesitan dos o más personas para instalar y trasladar el electrodoméstico.** Si esto no se cumple se podrán producir diversas heridas.
- **Almacene e instale la lavadora evitando su exposición a temperaturas bajo cero o a condiciones climáticas en áreas exteriores.** Si no se cumple con esta advertencia se podrán producir daños por filtraciones.
- **Con el fin de reducir el riesgo de descargas eléctrica no instale la lavadora en espacios húmedos.** Si no se cumple con esta advertencia se podrán producir heridas graves, incendios, descargas eléctricas, o muerte.
- **Para reducir el riesgo de lesiones personales, cumpla con todos los procedimientos de seguridad recomendados por la industria, incluyendo el uso de guantes con mangas largas y gafas de seguridad.** En caso de no cumplir con todas las advertencias de seguridad de este manual se podrán producir daños sobre la propiedad, lesiones personales o la muerte.

# INSTRUCCIONES IMPORTANTES DE SEGURIDAD

## LEA TODAS LAS INSTRUCCIONES ANTES DE USAR

**⚠ADVERTENCIA** Por su seguridad, se debe seguir la información indicada en este manual para minimizar el riesgo de incendio o explosión, descarga eléctrica, o para prevenir daños a la propiedad, lesiones personales o muerte.

## INSTRUCCIONES DE SEGURIDAD PARA LA UTILIZACIÓN, CUIDADO Y LIMPIEZA, Y LA ELIMINACIÓN

**⚠ADVERTENCIA** Para minimizar el riesgo de incendio o explosión, descarga eléctrica, o para prevenir lesiones personales cuando use electrodomésticos, se deben seguir precauciones básicas de seguridad, incluyendo las siguientes:

- **Desenchufe la lavadora antes de limpiar la misma** para evitar el riesgo de descargas eléctricas.
- **Al limpiar la lavadora nunca utilice químicos de corte, limpiadores abrasivos o solventes.** Los mismos dañarán su aspecto.
- **No coloque trapos grasosos o aceitosos sobre la lavadora.** Estas sustancias despiden vapores que podrían prender fuego los materiales.
- **No lave prendas que estén sucias con aceite vegetal o de cocina.** Las mismas pueden quedar con algo de aceite luego del lavado. Debido al aceite que permanece, la tela puede despedir humo o prenderse fuego por sí sola.
- **Desconecte este electrodoméstico del tomacorriente antes de realizar cualquier función de mantenimiento. Colocar los controles en la posición OFF (apagado) no desconecta el electrodoméstico de la toma de corriente.** Si no se cumple con esta advertencia se podrán producir heridas graves, incendios, descargas eléctricas, o muerte.
- **No combine diferentes productos de lavandería en una misma carga a menos que esto se especifique en la etiqueta.**
- **No mezcle blanqueador con cloro junto con amoníaco o ácidos tales como vinagre. Al usar productos de lavandería siga las instrucciones del envoltorio.** Un uso indebido puede producir gases venenosos, lo que puede resultar en heridas graves o muerte.
- **No coloque las manos dentro de la lavadora cuando sus partes estén en movimiento. Antes de cargar, descargar o agregar prendas, pulse el botón de INICIO/PAUSA y espere hasta que el tambor se detenga totalmente antes de colocar las manos dentro.** Si no se cumple con esta advertencia se podrán producir heridas graves, incendios, descargas eléctricas, o muerte.
- **No permita que los niños jueguen sobre o dentro de la lavadora. Si hay niños cerca mientras la lavadora está en funcionamiento es necesario supervisarlos de cerca. A medida que los niños crezcan, enséñeles sobre el uso adecuado y seguro de todos los electrodomésticos.** Si estas advertencias no se cumplen se podrían producir heridas graves.
- **Destruya la bolsa plástica y otros materiales de embalaje una vez retirada la lavadora. Es posible que los niños deseen usarlas para jugar. Los cartones cubiertos con alfombra, colchas o láminas de plástico se pueden convertir en cámaras herméticas.** Si estas advertencias no se cumplen se podrían producir heridas graves o muerte.
- **Mantenga los productos de lavandería fuera del alcance de los niños. Para evitar heridas, cumpla con todas las advertencias que figuran en las etiquetas de los productos.** Si estas advertencias no se cumplen se podrían producir heridas graves.
- **Retire la puerta del compartimiento de lavado para evitar el riesgo de que los niños o animales pequeños queden atrapados dentro, si dejará de usar definitivamente o se deshará de su lavadora.** Si no se cumple con esto se podrán producir heridas o muerte.

## GUARDE ESTAS INSTRUCCIONES

# PIEZAS Y CARACTERÍSTICAS

## CARACTERÍSTICAS ESPECIALES

### **A CAJÓN DE DEPÓSITO DE DETERGENTE**

Este cajón de cuatro secciones provee depósitos separados para el detergente de prelavado y detergente principal de lavado, blanqueador líquido, así como suavizante líquido de telas.

### **B PANTALLA DE COLOR LCD DEL PANEL DE CONTROL**

Los controles electrónicos son sencillos y fáciles de utilizar. La pantalla COLOR LCD muestra las opciones y la información de ciclo, y los mensajes de estado durante el funcionamiento.

### **C COMPUERTA DE SEGURIDAD DE FÁCIL ACCESO**

La compuerta extra-grande se asegura durante el funcionamiento y consta de un bloqueo demorado para prevenir que la compuerta se abra hasta que el interior de la lavadora se haya enfriado y haya bajado el nivel del agua.

### **D CICLOS DE VAPOR DE ALTA EFICIENCIA**

Durante los ciclos de VAPOR de alta eficiencia únicos de LG, la boquilla de vapor inyecta a las telas vapor caliente para eliminar suavemente las manchas más difíciles.

### **E CHORROS DE RODILLO**

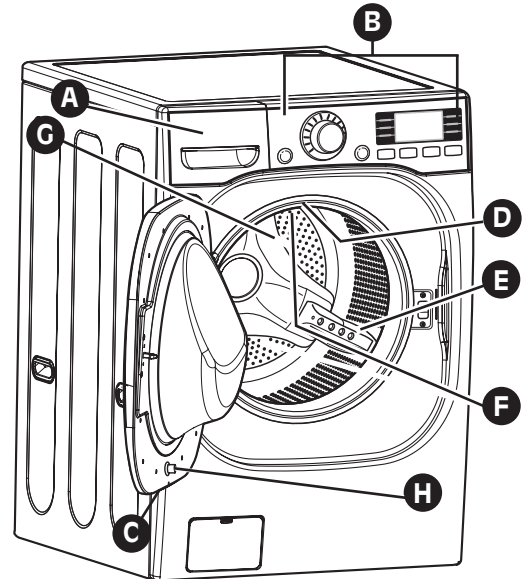
El sistema de chorros de rodillo mejora el desempeño de lavado, a la vez que reduce el desgaste de la tela. Los chorros integrados rocían las prendas para mejorar aún más la eficiencia de lavado.

### **F LUZ DEL TAMBOR INTERIOR**

La luz del tambor ilumina el interior de la lavadora para aumentar la visibilidad en la carga y descarga. Las bombillas LED de duración ultra larga nunca necesitarán ser reemplazadas.

### **G MOTOR DE ACCIÓN DIRECTA**

El motor de acción directa elimina la correa y las poleas incluidas en la mayoría de las lavadoras para brindar desempeño y confiabilidad mejorados, a la vez que aumenta el ahorro de energía.



### **H RETENEDOR DE PUERTA (STOPPER) MAGNÉTICO**

De manera segura y conveniente mantiene la puerta ligeramente abierta usando un retenedor magnético. Esto ayudará a mantener fresco el interior de la máquina mediante la circulación del aire. Para utilizar esta función, después de que la carga se ha removido, no cierre la puerta completamente. Cuando el retenedor magnético entra en contacto con el metal del gabinete de la lavadora, mantendrá la puerta ligeramente abierta.



Protocolo P172  
Desempeño de desinfección de lavadoras de ropa residenciales y comerciales de tamaño familiar.

# PIEZAS Y CARACTERÍSTICAS

## PIEZAS Y COMPONENTES CLAVE

Además de los componentes y las características descritos en la sección de *Características especiales*, hay varios componentes importantes adicionales a los cuales se hace referencia en este manual.

### A TAMBOR DE ACERO INOXIDABLE DE ULTRA CAPACIDAD

El tambor de acero inoxidable ultra grande ofrece una durabilidad extraordinaria y está inclinado para mejorar la eficiencia y permitir el acceso fácil para prendas grandes.

### B BOQUILLAS DE CIRCULACIÓN DE AGUA Y DE VAPOR

Las boquillas de circulación rocían el agua/ solución de detergente directamente sobre las prendas permitiendo una limpieza extraordinaria. Durante los ciclos de VAPOR de alta eficiencia exclusivos de LG, la boquilla de vapor inyecta a las telas vapor caliente para eliminar suavemente las manchas más difíciles.

### C PATAS NIVELADORAS

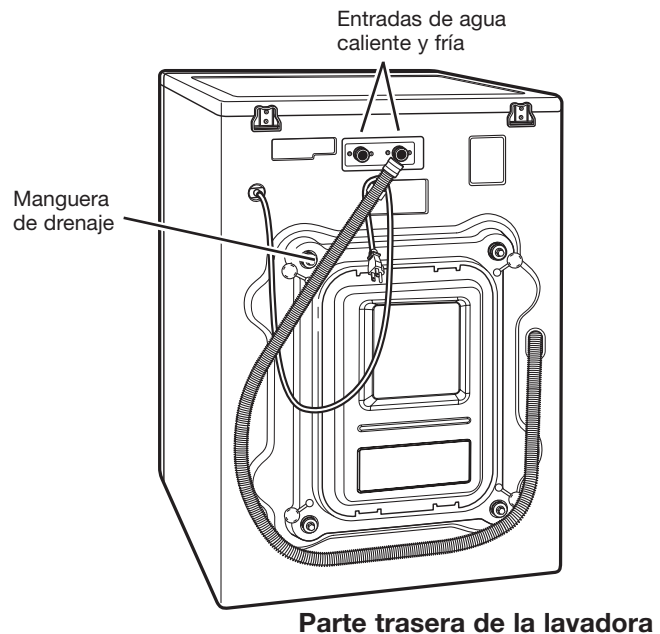
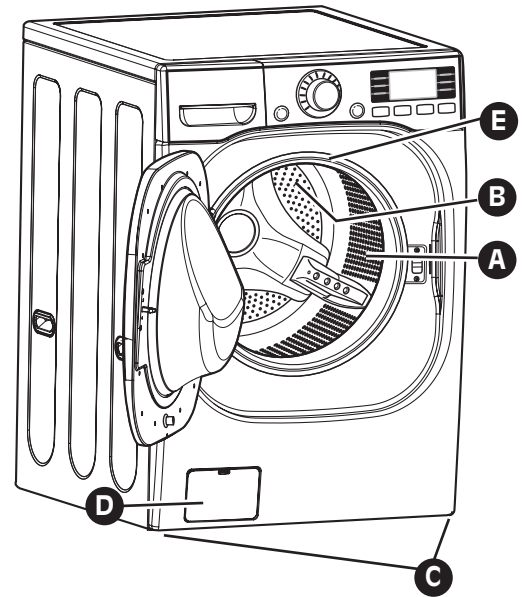
Cuatro patas niveladoras (dos en la parte frontal y dos en la trasera) se ajustan para mejorar la estabilidad de la lavadora en pisos desnivelados.

### D PANEL DE ACCESO AL DRENAJE

Brinda acceso a la tubería de drenaje y al filtro de la bomba de drenaje.

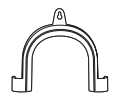
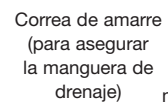
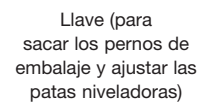
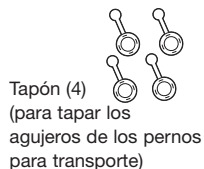
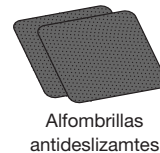
### E BOQUILLA AUTOLIMPIANTE

La boquilla de limpieza de puerta rocía agua en la puerta para eliminar las burbujas y manchas. Empieza a limpiar la puerta durante el proceso de enjuague.



Parte trasera de la lavadora

### Accesorios incluidos



# INSTRUCCIONES DE INSTALACIÓN

## ESCOJA EL LUGAR ADECUADO

### **⚠️ ADVERTENCIA**

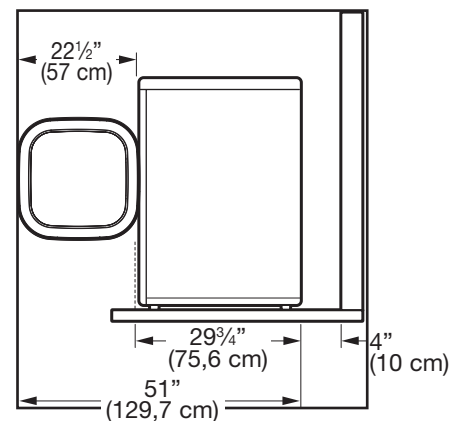
- La lavadora es pesada. Se necesitan dos o más personas para instalar y trasladar el electrodoméstico. Si esto no se cumple se podrán sufrir heridas en la espalda u otras heridas.
- Almacene e instale la lavadora en un lugar no expuesto a temperaturas inferiores a las de congelación ni a la intemperie. Si no se cumple con esta advertencia se podrán producir heridas graves, incendios, descargas eléctricas, o muerte.
- Conecte a tierra la lavadora siguiendo todos los códigos y ordenanzas legales. Si no se cumple con esta advertencia se podrán producir heridas graves, incendios, descargas eléctricas, o muerte.
- Para reducir el riesgo de descargas eléctricas, no instale la lavadora en áreas de alta humedad. Si no se cumple con esta advertencia se podrán producir heridas graves, incendios, descargas eléctricas, o muerte.
- La apertura de la base no debe estar obstruida por una alfombra cuando la lavadora se instale en un piso alfombrado.
- No elimine el cable de conexión a tierra. No use un adaptador o prolongador. Enchufe en un tomacorriente con conexión a tierra de 3 cables. Si no se cumple con esta advertencia se podrán producir heridas graves, incendios, descargas eléctricas, o muerte.

### **Tomacorriente**

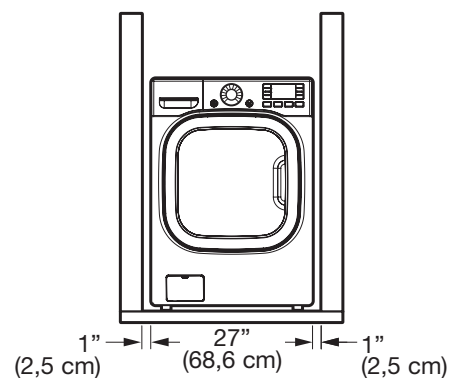
- El tomacorriente debe estar dentro de un área mínima de 1,5 m (60 pulgadas) a cualquiera de los lados de la lavadora.
- El electrodoméstico y el tomacorriente deben estar colocados de forma tal que se pueda acceder al enchufe fácilmente.
- No sobrecargar el tomacorriente con más de un electrodoméstico.
- El tomacorriente deberá estar puesto a tierra de acuerdo con los códigos y las regulaciones de cableado actuales.
- Se recomienda utilizar un fusible de demora de tiempo o disyuntor.

**NOTA:** Es responsabilidad y obligación personal del dueño del producto pedir a un electricista calificado que instale el tomacorriente adecuado.

## ESPACIOS DE INSTALACIÓN



Para asegurar que se haya dotado de suficiente espacio para las tuberías de agua y flujo de aire, deje espacios mínimos de por lo menos 2,5 cm (1 pulgada) en los lados y 10 cm (4 pulgadas) detrás de la unidad. No olvidar prever espacio para las molduras de pared, puerta o piso que podrían aumentar los espacios de instalación requeridos.



Deje por lo menos 61,2 cm (24 pulgadas) al frente de la lavadora para poder abrir la compuerta.

# INSTRUCCIONES DE INSTALACIÓN

## TIPO DE PISO

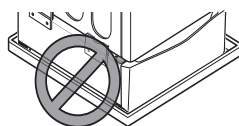
- Para minimizar el ruido y vibración, se DEBE instalar la lavadora en un piso sólidamente construido. Ver la NOTA abajo.
- La pendiente permitida debajo de toda la lavadora es de 1°.
- No se recomiendan las superficies alfombradas o de baldosas blandas.
- Nunca instale la lavadora en una plataforma o estructura soportada con poca solidez. Utilice un pedestal accesorio aprobado únicamente como se describe más abajo.

**NOTA:** Tome en cuenta que el piso debe ser lo suficientemente fuerte y rígido para soportar el peso de la lavadora cuando se encuentra completamente cargada, sin flexionarse ni rebotar. Si su piso tiene mucha flexión, podría necesitar reforzarlo para hacerlo más rígido. Un piso adecuado para una lavadora de carga por la parte superior podría no ser lo suficientemente rígido para una de carga frontal debido a la diferencia en la dirección y velocidad del centrifugado. Si el piso no es sólido, su lavadora podría vibrar y la vibración podría sentirse en toda la casa.

**NOTA:** Antes de instalar la lavadora, asegúrese de que el piso esté limpio, seco y libre de polvo, suciedad, agua y aceites para que las patas de la lavadora no puedan deslizarse fácilmente. Si las patas niveladoras se desplazan o deslizan sobre el piso, pueden producirse una vibración y ruidos excesivos debido a un contacto deficiente con el suelo.



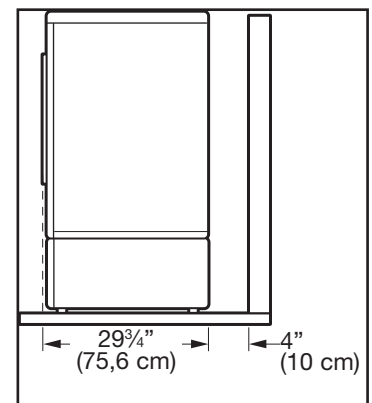
**NOTA:** Si debe utilizarse una bandeja colectora, tenga especial cuidado de seguir las instrucciones provistas con la bandeja colectora y verifique que las patas niveladoras estén ajustadas para lograr un contacto firme y nivelado con la bandeja. El uso de bandejas colectoras y no nivelar la máquina adecuadamente pueden generar vibraciones y ruidos excesivos durante el funcionamiento.



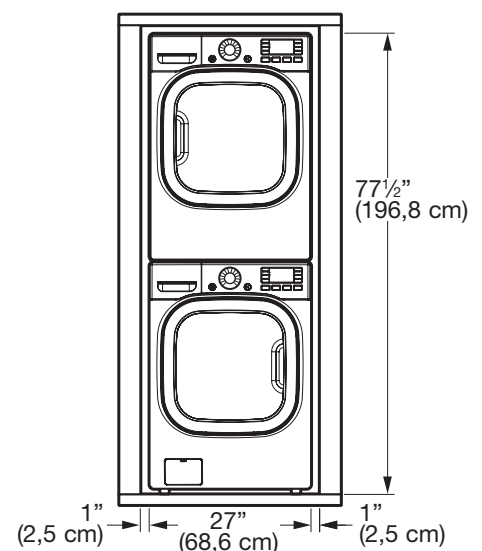
## INSTALACIONES CON LA BASE PEDESTAL O KIT DE APILADO OPCIONALES

**IMPORTANTE:** Si se encuentra instalando la lavadora con una base pedestal o un kit de apilado opcionales, consulte la sección de *Accesorios opcionales* incluida en este manual o las instrucciones de su pedestal o kit de apilado antes de continuar con la instalación.

### Dimensiones requeridas para la instalación con pedestal



### Dimensiones requeridas para la instalación con el kit de apilado



# INSTRUCCIONES DE INSTALACIÓN

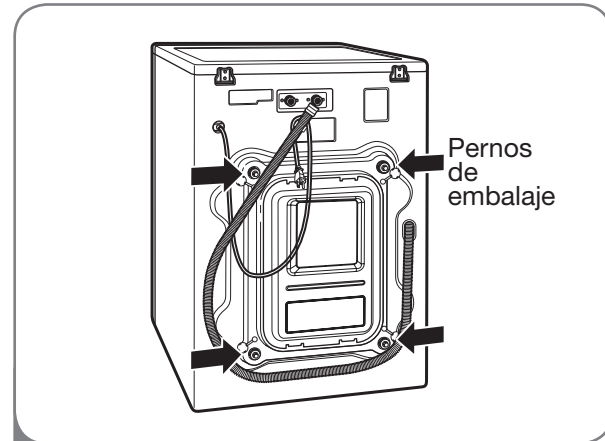
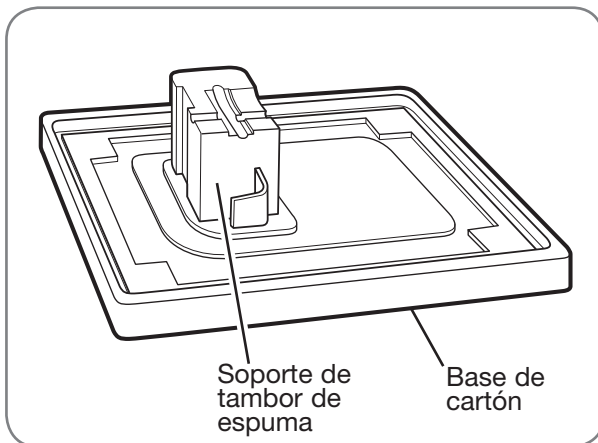
## DESEMBALAJE Y RETIRO DE LOS PERNOS DE EMBALAJE

Al retirar la lavadora de la base de cartón, asegúrese de quitar el soporte de tambor de espuma colocado en la mitad de la base de cartón.

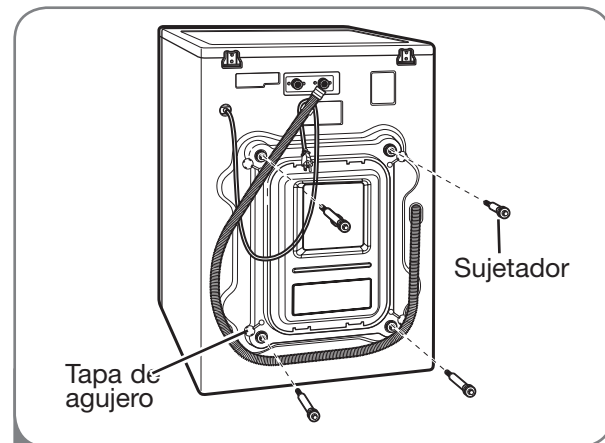
Si debe asentar la lavadora hacia abajo para quitar los materiales de embalaje de la base, hágalo siempre cuidadosamente sobre su parte lateral. NO asiente la lavadora sobre su parte frontal o posterior.

**IMPORTANTE:** Para prevenir daños en el interior durante el transporte, la lavadora está equipada con cuatro pernos de embalaje y sujetadores plásticos. Se **DEBEN** quitar estos pernos y sujetadores antes de poner en funcionamiento la lavadora.

- De lo contrario se podría causar vibración y ruido severos, que podrían causar daños permanentes a la lavadora. El cable está asegurado a la parte posterior de la lavadora con un perno de embalaje para prevenir el funcionamiento con los pernos colocados.



- 1 Comenzando por los 2 pernos de embalaje inferiores, use la llave incluida para quitar los 4 pernos de embalaje rotándolos en sentido contrario a las agujas del reloj.



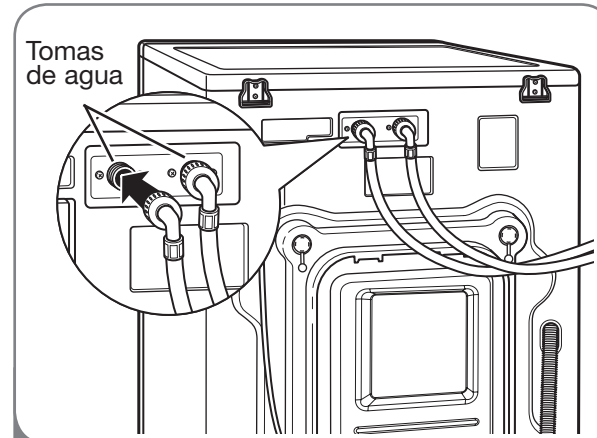
- 2 Quite los sujetadores haciéndolos girar levemente mientras tira. Gire y apriete las tapas de orificio en los orificios de los pernos de embalaje.

**NOTA:** Guarde los pernos y sujetadores para su uso futuro. Para prevenir daños a los componentes internos, los pernos y sujetadores internos deben ser instalados cuando se transporte la lavadora.

# INSTRUCCIONES DE INSTALACIÓN

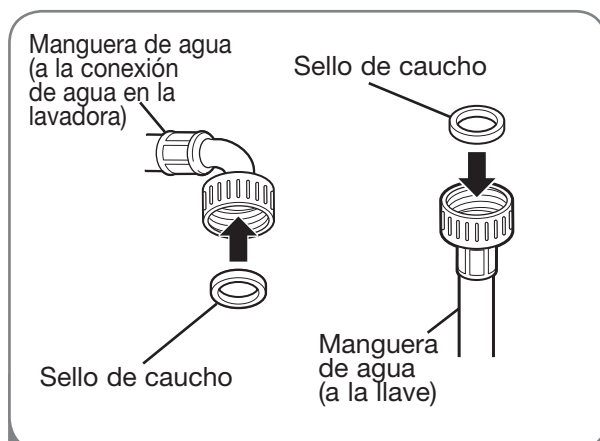
## CONEXIÓN DE LAS TUBERÍAS DE AGUA

- **IMPORTANTE:** Cuando instale la lavadora, use mangueras nuevas. NO reutilice mangueras viejas.
- **IMPORTANTE:** Usar SOLAMENTE las mangueras de la entrada proporcionadas por LG de este producto de lavandería. Las mangueras del mercado de accesorios no están garantizadas para caber o para funcionar correctamente. Otras mangueras pueden no apretar correctamente y podrían causar pérdidas. El daños posteriores al producto o a la propiedad no serán cubiertos de conformidad con la garantía de LG.
- La presión de suministro de agua debe estar entre 14,5 libras por pulgada cuadrada y 116 libras por pulgada cuadrada (100~800 kPa). Si la presión de suministro de agua es superior a 116 libras por pulgada cuadrada, debe instalar una válvula reductora de presión.
- Revise periódicamente que la manguera no tenga rajaduras, fugas y desgaste, y reemplácela de ser necesario.
- Asegúrese de que las tuberías de agua no se encuentren extendidas, apretadas, aplastadas o curvadas.
- Nunca se debe instalar ni almacenar la lavadora en un lugar expuesto a temperaturas de congelamiento. Pueden dañarse las tuberías de agua y mecanismos internos de la lavadora. Si se expone la lavadora a temperaturas de congelamiento antes de la instalación, deje que permanezca a una temperatura ambiente por varias horas antes de usar.

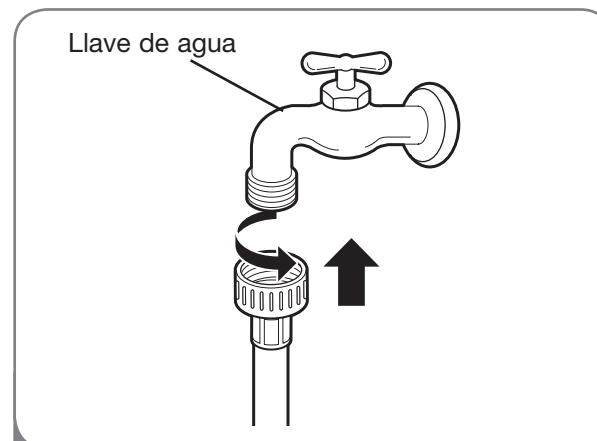


- 2 **NOTA:** No dañe la rosca de las conexiones de manguera.

Conecte la tubería de agua caliente a la entrada roja de agua caliente en la parte posterior de la lavadora. Conecte la tubería de agua fría a la entrada azul de agua fría en la parte posterior de la lavadora. Ajuste las conexiones con firmeza.



- 1 Inserte un sello de caucho en las conexiones roscadas en cada manguera.



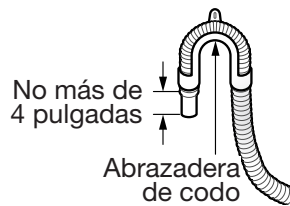
- 3 Conecte la tubería de agua caliente al grifo de agua caliente. Conecte la tubería de agua fría al grifo de agua fría. Ajuste bien las conexiones. Abra los grifos de agua por completo para verificar la presencia de pérdidas de agua.

# INSTRUCCIONES DE INSTALACIÓN

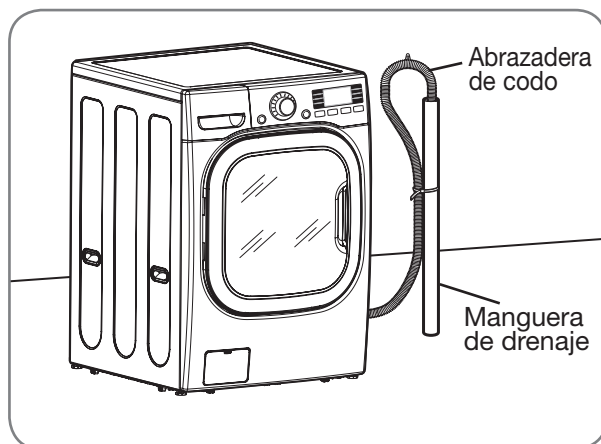
## CONEXIÓN DE LA TUBERÍA DE DRENAJE

- La manguera de drenaje siempre debe estar asegurada adecuadamente. No asegurar adecuadamente la manguera de drenaje puede resultar en inundación o daños a la propiedad.
- No instalar el extremo de la manguera a una altura de más de 244,8 cm (96 pulgadas) sobre la parte inferior de la lavadora.
- El drenaje debe instalarse según todos los códigos y regulaciones locales vigentes.
- Asegúrese de que las tuberías de agua no se encuentren extendidas, apretadas, aplastadas o curvadas.

**NOTA:** Si la tubería de drenaje se extiende más de 4 pulgadas después del final de la abrazadera de codo, se podrían acumular moho o microorganismos en el interior de la lavadora.



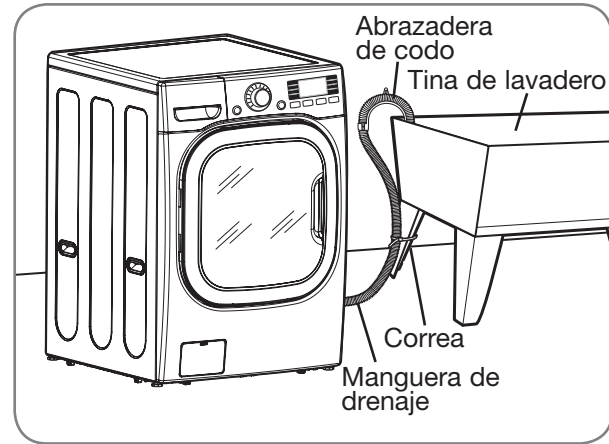
### Opción 1: Tubo vertical



Enganche el extremo de la manguera en la abrazadera de codo. Inserte el extremo de la manguera de drenaje en el tubo vertical. Utilice la correa para asegurar la manguera en su lugar.

**NOTA:** La altura total del extremo de la manguera no deberá sobrepasar 244,8 cm (96 pulgadas) desde la parte inferior de la lavadora.

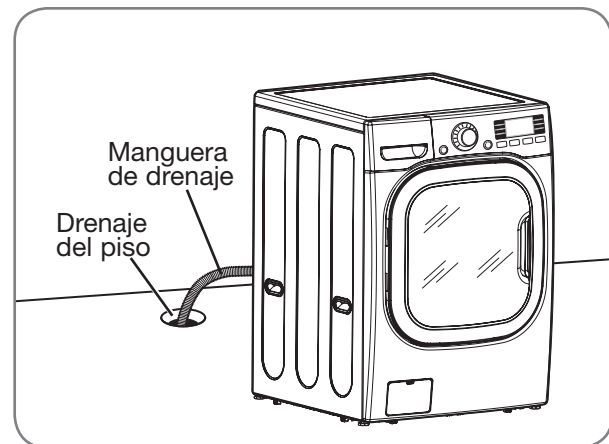
### Opción 2: Tina de lavadero



Enganche el extremo de la manguera en la abrazadera de codo. Cuelgue el extremo de la manguera sobre el lado de la tina de lavadero. Utilice la correa para asegurar la manguera en su lugar.

**NOTA:** La altura total del extremo de la manguera no deberá sobrepasar 244,8 cm (96 pulgadas) desde la parte inferior de la lavadora.

### Opción 3: Drenaje del piso



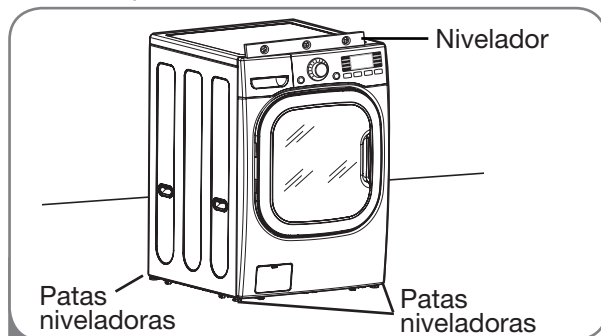
Inserte el extremo de la manguera de drenaje en el drenaje del piso. Asegure la manguera en su lugar para prevenir su movimiento.

# INSTRUCCIONES DE INSTALACIÓN

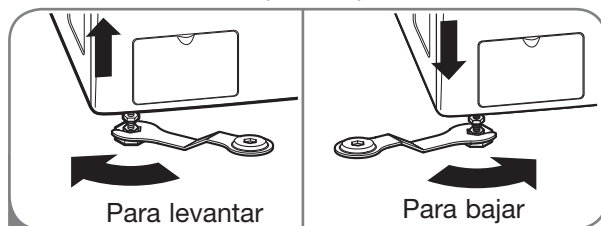
## NIVELACIÓN DE LA LAVADORA

El tambor de su nueva lavadora centrífuga a velocidades muy altas, de hasta 1.400 r.p.m. Para minimizar la vibración, el ruido y movimiento no deseados, el piso deberá ser una superficie perfectamente nivelada y sólida.

**NOTA:** Fije las patas niveladoras solo en la medida necesaria para nivelar la lavadora. La extensión de las patas niveladoras más de lo necesario puede causar vibración de la lavadora.



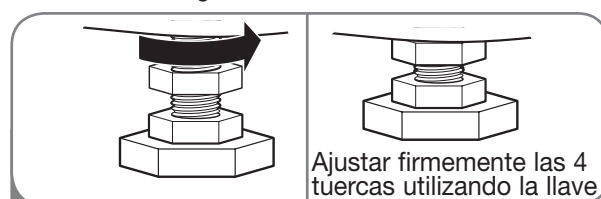
**1** Coloque la lavadora en el lugar final, tomando la precaución especial de no apretar, forzar ni aplastar las tuberías de drenaje y agua. Coloque un nivelador en la parte superior de la lavadora.



**2** Afloje las tuercas de seguridad en las 4 patas niveladoras hasta que pueda girar la pata con la llave incluida. Gire en la dirección de las agujas del reloj para levantar la lavadora o al contrario para bajarla.

- Las 4 patas niveladoras deberán apoyarse firmemente en el piso. Mueva la lavadora suavemente de esquina a esquina para asegurarse de que no se balancee.

Si está instalando la lavadora en el accesorio de pedestal opcional, deberá usar las patas niveladoras del **pedestal** para nivelar la lavadora. Las patas niveladoras de la lavadora deberán estar completamente replegadas y fijas en su posición con las tuercas de seguridad.



**3** Una vez que la lavadora se encuentre nivelada de lado a lado y atrás y adelante, ajuste todas las tuercas de seguridad con firmeza. Asegúrese de que las 4 patas niveladoras se encuentran haciendo contacto firme con el piso.

**NOTA:** Para asegurar que la lavadora está nivelada adecuadamente, hágala funcionar con una carga de prueba: coloque aproximadamente 3 kilos de ropa en la máquina. Luego, apriete POWER (encendido), RINSE+SPIN (enjuague+centrifugado), y el botón de START/PAUSE (inicio/pausa). Vea las siguientes secciones para obtener información adicional sobre la selección y el funcionamiento de ciclos.

Verifique que la lavadora no se meza o vibre excesivamente durante el ciclo de centrifugado. Si la lavadora vibra o se sacude, ajuste las patas niveladoras hasta que se encuentre estable y vuelva a comprobar.

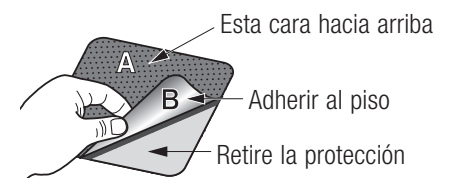
## INSTALACIÓN DE LAS ALMOHADILLAS ANTIDESLIZANTES (OPCIONAL)

Las superficies de algunos pisos son demasiado deslizantes para evitar que la lavadora se mueva sobre el piso durante los ciclos de lavado de cargas fuertemente desbalanceadas.

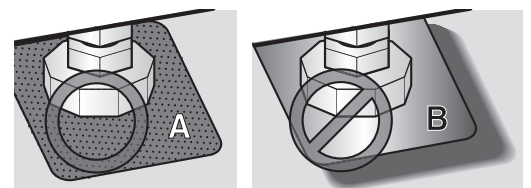
Aunque se considera normal el desbalanceo puntual de ciertas cargas, se pueden producir ruidos y vibraciones excesivos debidos al desplazamiento de la lavadora.

Si se produjesen estas condiciones, siga las instrucciones expuestas a continuación relativas a la instalación de las almohadillas antideslizantes. Estas almohadillas antideslizantes ayudarán a evitar que la lavadora se desplace durante los ciclos de lavado con carga fuertemente desbalanceada, al mismo tiempo que reducirán el ruido y la vibración.

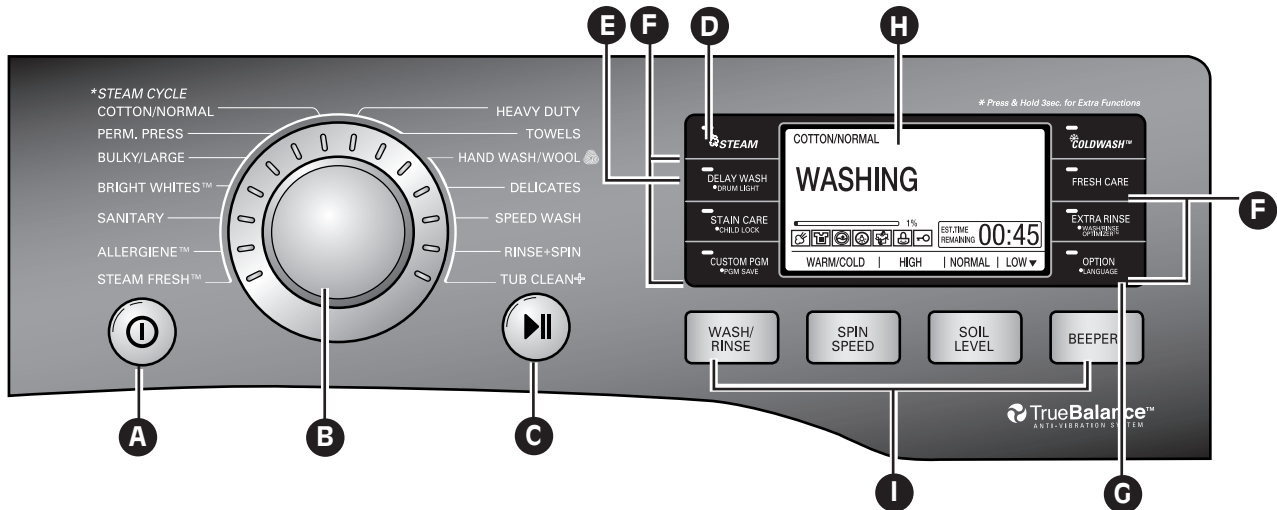
- Almohadillas antideslizantes



※ Coloque las almohadillas bajo ambos pies frontales



## CARACTERÍSTICAS DEL PANEL DE CONTROL



### A BOTÓN DE ENCENDIDO/APAGADO

Apriete el botón para ENCENDER la lavadora. Apriete nuevamente para APAGAR la lavadora.  
**NOTA:** Aprender el botón de ENCENDIDO/APAGADO durante un ciclo cancelará ese ciclo y borrará cualquier programación de carga.

### B PERILLA SELECTORA DE CICLOS

Gire esta perilla para seleccionar el ciclo deseado. Una vez que se haya seleccionado el ciclo deseado, los preajustes estándar se mostrarán en la pantalla. Se pueden programar estos ajustes usando los botones de programación de ciclos en cualquier momento antes del inicio.

### C BOTÓN DE INICIO/PAUSA

Apriete el botón para INICIAR el ciclo seleccionado. Si la lavadora está funcionando, utilice este botón para PAUSAR el ciclo sin perder la programación actual.

**NOTA:** Si no aprieta el botón de INICIO/PAUSA en un plazo de 4 minutos después de seleccionar un ciclo, la lavadora se apagará automáticamente.

### D BOTÓN DE STEAM (VAPOR)

Apriete el botón de STEAM (VAPOR) para añadir vapor al ciclo seleccionado para aumentar el poder de limpieza.

**NOTA:** Se puede añadir vapor solamente a los siguientes ciclos: STEAMFRESH™, ALLERGIENE™, SANITARY (SANITARIO), BRIGHT WHITES™, BULKY/LARGE (VOLUMINOSO/GRANDE), PERM. PRESS (PLANCHADO PERM.), COTTON/NORMAL (ALGODÓN/NORMAL), HEAVY DUTY (MUY POTENTE) y TOWELS (TOALLAS).

### E BOTÓN DE DELAY WASH (LAVADO DEMORADO)

Apriete el botón de DELAY WASH (LAVADO DEMORADO) para demorar el inicio del ciclo de lavado. Cada vez que se aprieta este botón se aumenta el tiempo de demora en lapsos de 1 hora, hasta 19 horas.

### F BOTONES DE FUNCIÓN ESPECIAL

Los botones de función especial le permiten seleccionar funciones adicionales y se encenderán cuando se los seleccione. Ciertos botones también le permiten activar funciones secundarias al mantener presionados dichos botones durante 3 segundos.

Para obtener información detallada sobre las opciones individuales, lea las páginas siguientes.

### G BOTÓN DE OPCIÓN

Apriete el botón de OPCIÓN para seleccionar las opciones adicionales de ciclo como WATER PLUS (AGUA PLUS), PRE-WASH (PRELAVADO), y ENERGY USAGE DISPLAY (VISUALIZACIÓN DEL USO DE ENERGÍA).

Apriete el botón al lado de la opción deseada en la pantalla para seleccionar. El botón se iluminará para mostrar que la opción es seleccionada.

### H PANTALLA COR DE LCD

La pantalla muestra los ajustes, el tiempo restante estimado, las opciones y los mensajes de estado correspondientes a su Steam Washer™. La luz en la pantalla permanecerá encendida durante el ciclo.

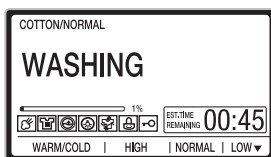
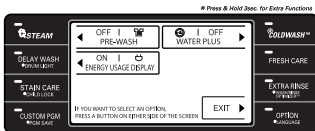
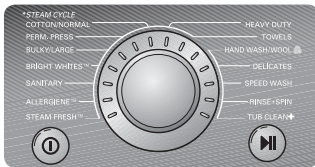
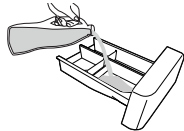
### I BOTONES DE PROGRAMACIÓN DE CICLOS

Utilice estos botones para seleccionar las opciones de ciclo deseadas para el ciclo seleccionado. Las opciones actuales se muestran en la pantalla. Apriete el botón para ver esa opción y seleccionar otros ajustes.

# CÓMO USAR

## FUNCIONAMIENTO DE LA LAVADORA

**⚠ ADVERTENCIA :** Para reducir el riesgo de fuego, descargas eléctricas o daños personales, lea las INSTRUCCIONES IMPORTANTES DE SEGURIDAD antes de utilizar el dispositivo.



### 1 CLASIFICACIÓN DE LA ROPA EN LA LAVADORA

Las prendas que sean diferentes precisarán de un tratamiento distinto. Consulte la Guía de ciclos en la página 17 para más información. Para obtener un lavado óptimo, clasifique la ropa en cargas que puedan lavarse en el mismo ciclo de lavado.

### 2 AÑADIR DETERGENTE

Abra el cajón dispensador y añada detergente en el compartimento de lavado principal, en dicho dispensador. Añada blanqueador y suavizante, según desee.

### 3 ENCENDER LA LAVADORA

Pulse el botón de ENCENDIDO/APAGADO para encender la lavadora. Se iluminarán las luces alrededor del botón de selección de ciclo.

### 4 SELECCIONAR UN CICLO

Gire el botón de selección de ciclo al ciclo deseado. La pantalla mostrará la temperatura de aclarado/lavado predeterminada, la velocidad de centrifugado, el nivel de suciedad y los ajustes opcionales para ese ciclo.

### 5 SELECCIONAR LA CONFIGURACIÓN DEL CICLO

Si quiere cambiar los ajustes de un ciclo concreto, pulse el botón de ajustes para mostrar los valores adicionales para esa opción. Pulse de nuevo el botón para avanzar por los diferentes valores hasta encontrar el deseado.

**NOTA:** Para proteger sus prendas, no todas las temperaturas de lavado/aclarado, la velocidad de centrifugado, el nivel de suciedad o las opciones están disponibles en cada ciclo.

### 6 SELECCIONAR LAS OPCIONES DEL CICLO

Seleccione cualquier opción adicional del ciclo, como VAPOR, Lavado demorado o COLDWASH™ pulsando el botón de esa opción o pulsando el botón OPCIÓN para opciones adicionales.

**NOTA:** Para proteger sus prendas, no todas las temperaturas de lavado/aclarado, la velocidad de centrifugado, el nivel de suciedad o las opciones están disponibles en cada ciclo.

### 7 INICIAR EL CICLO

Pulse el botón de INICIO/PAUSA para iniciar el ciclo. Para pausar el ciclo en cualquier momento, pulse INICIO/PAUSA. **NOTA:** Si la temperatura de la lavadora es demasiado alta, la puerta no se desbloqueará hasta que la lavadora se enfríe. Si el nivel de agua de la lavadora es demasiado algo, seleccionar el desagüe & centrifugado (véase la página 23 para más detalles) para expulsar el exceso de agua. No intente forzar la puerta para que se abra.

### 8 REVISAR EL TIEMPO DEL CICLO

Se cerrará la puerta, la pantalla cambiará y la lavadora iniciará el cálculo del tiempo estimado restante. Una vez calculado el tiempo total estimado para el ciclo, la lavadora se pondrá en funcionamiento.

**NOTA:** El tiempo de lavado se puede reducir de forma significativa en las cargas de poca suciedad o pocas prendas si selecciona el ciclo de Lavado rápido y ajusta el botón de Nivel de suciedad en Bajo.

**NOTA:** La duración del ciclo que se muestra puede parecer más larga que en una lavadora de carga en la parte superior. El tiempo visualizado corresponde al ciclo completo, no sólo a la parte de agitación del ciclo, como se muestra normalmente en una lavadora de carga en la parte superior.

## GUÍA DE CICLOS

La guía de ciclos indicada más abajo muestra las opciones y tipos de telas recomendadas para cada ciclo.

● = Opción disponible

CICLO	TIPO DE TELA	TEMP. LAVADO/ ENJUAGUE	VELOCIDAD DE GIRO	NIVEL DE SUCIEDAD	PRELAVADO	ENJUAGUE ADICIONAL	TRATAR MANCHAS	AGUA PLUS	VAPOR	COLDWASH™	WASH/RINSE OPTIMIZER™
<b>STEAM FRESH™</b>	Camisas de etiqueta, blusas								●		
<b>SANITARY (SANITARIO)</b>	Ropa interior muy sucía, ropa de trabajo, pañales, etc.	Extra Caliente/Frío	Alto	Normal							
			Extra alto No exprimido Bajo Mediano	Pesado Leve	●	●	●	●	●	●	●
<b>BULKY/LARGE (VOLUMINOSO /GRANDE)</b>	Prendas grandes tales como mantas y edredones	Tibio/ Frío	Bajo	Normal							
		Tibio / Tibio Caliente / Frío Frío / Frío	Mediano No exprimido	Pesado Leve	●	●	●	●	●	●	●
<b>PERM. PRESS (PLANCHADO PERM.)</b>	Camisas de etiqueta/ pantalones, ropa antiarrugas, ropas de mezcla poliéster/ algodón, manteles	Tibio/ Frío	Mediano	Normal							
		Tibio / Tibio Caliente / Frío Frío / Frío	Alto No exprimido Bajo	Pesado Leve	●	●	●	●	●	●	●
<b>COTTON/ NORMAL (ALGODÓN /NORMAL)</b>	Algodón, lino, toallas, camisas, vaqueros, cargas mixtas	Tibio/ Frío	Alto	Normal							
		Caliente / Frío Frío / Frío	Extra alto No exprimido Bajo Mediano	Pesado Leve	●	●	●	●	●	●	●
<b>ALLERGIENE™</b>	Algodón, ropa interior, fundas de almohadas, sábanas, ropa de bebé		Alto								
			Extra alto No exprimido Bajo Mediano			●		●	●		
<b>HEAVY DUTY (MUY POTENTE)</b>	Telas de algodón muy sucias	Tibio/ Frío	Extra alto	Pesado							
		Tibio / Tibio Caliente / Frío Frío / Frío	No exprimido Bajo Mediano Alto	Leve Normal	●	●	●	●	●	●	●
<b>TOWELS (TOALLAS)</b>	Toallas	Tibio/ Frío	Extra alto	Normal							
		Tibio / Tibio Caliente / Frío Frío / Frío	No exprimido Bajo Mediano Alto	Pesado Leve	●	●		●	●	●	
<b>HAND WASH/ WOOL (LAVAR MANO/LANA)</b>	Prendas etiquetadas como "lavables a mano (hand-washable)"	Tibio/ Frío	Bajo	Normal							
		Tibio / Tibio Frío / Frío	No exprimido	Leve							●
<b>DELICATE (DELICADO)</b>	Camisas de etiqueta/ blusas, prendas de nylon, muy finas o de encaje	Frío / Frío	Mediano	Normal							
		Tibio/ Frío Tibio / Tibio	No exprimido Bajo	Pesado Leve	●	●		●		●	
<b>SPEED WASH (LAVAR RAPIDO)</b>	Ropa ligeramente sucía y cargas	Caliente / Frío	Extra alto	Leve							
		Frío / Frío Tibio/ Frío Tibio / Tibio	No exprimido Bajo Mediano Alto	Normal Pesado		●					●
<b>RINSE + SPIN (ENJUAGUE + CENTRIFUGADO)</b>	Enjuague y centrifugado	Frío / Frío	Alto								
			Extra alto No exprimido Bajo Mediano			●		●			
<b>BRIGHT WHITES™</b>	Prendas blancas	Caliente / Frío	Alto	Normal							
		Frío / Frío Tibio/ Frío Tibio / Tibio	Extra alto No exprimido Bajo Mediano	Pesado Leve	●	●	●	●	●	●	
<b>TUB CLEAN+ (LIMPIEZA DE CONDUCTO+)</b>	El ciclo TUB CLEAN + (LIMPIEZA DE CONDUCTO+) está específicamente diseñado para eliminar moho en la lavadora								●		

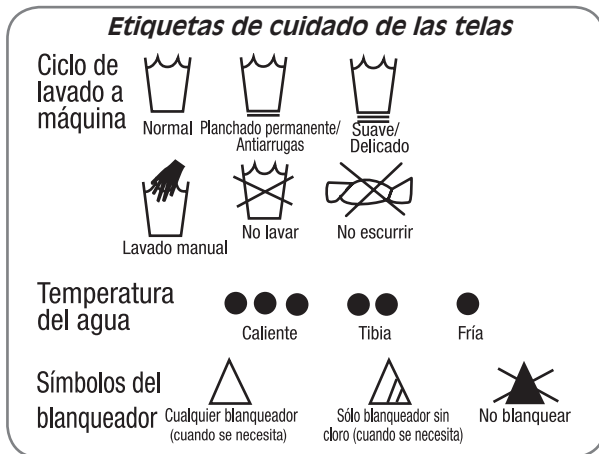
**NOTA:** Para proteger sus prendas de vestir, no todas las temperaturas de lavado/enjuague, velocidades de centrifugado, niveles de suciedad u opciones están disponibles en cada ciclo.

# CÓMO USAR

## CLASIFICACIÓN DE LAS CARGAS DE LAVADO

### Etiquetas de cuidado de las telas

La mayoría de las prendas de vestir tienen etiquetas de cuidado de las telas para lograr un cuidado adecuado.



### Agrupamiento de prendas similares

Para obtener los mejores resultados, clasifique las prendas en cargas que puedan lavarse con el mismo ciclo de lavado.

Telas diferentes tienen requisitos de mantenimiento distintos.

Siempre lave las prendas de colores oscuros separadas de las de colores claros y ropa blanca para evitar manchas. De ser posible, no lave prendas muy sucias con otras menos sucias. El cuadro indicado más abajo muestra los agrupamientos recomendados.

### Clasifique los grupos de lavado...

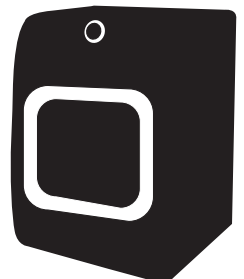
por colores	por nivel de suciedad	por tipo de tela	por pelusa
Ropa blanca	Pesada	Delicada	Productora de pelusas
Claros	Normal	Mantenimiento fácil	Recolectora de pelusas
Oscuro	Leve	Resistente	

### Carga de la lavadora

- Revise todos los bolsillos para asegurarse de que estén vacíos. Artículos como clips, cerillos, plumas, monedas y llaves pueden dañar su lavadora o sus prendas.
- Cierre las cremalleras, ganchos y cordones para prevenir que estos artículos se enganchen o enreden en otras prendas.
- Trate previamente las áreas muy manchadas para obtener los mejores resultados.
- Combine prendas grandes y pequeñas en una carga. Cargue primero las prendas grandes.

- Las prendas grandes no deberán ser más de la mitad de la carga de lavado total.
- Se puede cargar la lavadora completamente, pero el tambor no puede quedar colmado de prendas. La compuerta de la lavadora deberá cerrarse con facilidad.
- Para prevenir una carga fuera de balance, no lave prendas solas. Añada una o dos prendas similares a la carga. Las prendas grandes, que requieren mucho espacio, tales como sábanas, cubrecamas o colchas se deben lavar individualmente.
- No lave ni centrifugue prendas impermeables.
- Cuando descargue la lavadora, revise debajo del sello de la compuerta para controlar que no haya artículos pequeños.

**NOTA:** La lavadora de carga frontal gira la colada mojada para lavarla con menos agua. Si no ve el agua durante el lavado, no supone un problema, ya que la lavadora estará lo suficientemente mojada.



## SELECCIÓN DE DETERGENTE

**IMPORTANTE:** Su lavadora de vapor Steam Washer™ está diseñada para usarse **exclusivamente** con detergentes (Alta eficiencia) (HE). Los detergentes de alta eficiencia están formulados específicamente para las lavadoras de carga frontal y contienen agentes reductores de espuma. Busque siempre el símbolo (Alta eficiencia) (HE) cuando compra detergente.

Los detergentes de alta eficiencia producen menos espuma, se disuelven más eficientemente para mejorar el desempeño de lavado y enjuague, y ayudan a mantener limpio el interior de su lavadora.

Utilizar un detergente regular puede causar demasiada espuma y desempeño insatisfactorio.

**IMPORTANTE:** No coloque o almacene productos de lavado como detergente, blanqueador o suavizante líquido en la parte superior de su lavadora o secadora. Limpie inmediatamente cualquier derrame. Estos productos pueden dañar el acabado y los controles.



Diseñada específicamente para usar con el detergente tipo HE (Alta eficiencia)

## DETALLES SOBRE EL DEPÓSITO

El cajón de suministro automático consiste en 4 compartimentos que almacenan:

- Blanqueador líquido.
- Suavizante líquido de telas.
- Detergente líquido o en polvo para el prelavado.
- Detergente líquido o en polvo y cloro a prueba de decoloramiento para el lavado principal.

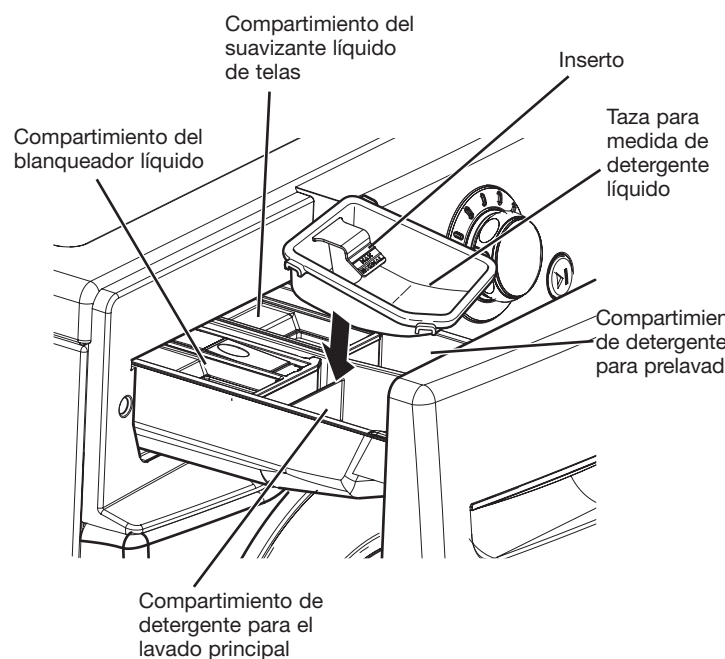
Se pueden añadir todos los productos de lavado al mismo tiempo en sus respectivos compartimentos de suministro. Serán suministrados en el momento adecuado para brindar el lavado más eficaz.

Después de añadir los productos de lavado al depósito, cierre el cajón de depósito.

Para añadir detergente, blanqueador, y suavizante al cajón de suministro automático:

- 1 Abra el cajón de depósito.
- 2 Cargue los productos de lavado en los compartimentos adecuados.
- 3 Cierre lentamente el cajón de depósito para evitar la salida temprana de los productos.

**NOTA:** Es normal que una cantidad pequeña de agua permanezca en los compartimentos de suministro al final del ciclo.



# CÓMO USAR

## CARGA DEL DEPÓSITO

### **Compartimiento de detergente para prelavado**

Agregue el detergente líquido o en polvo a este compartimiento cuando se usa la opción de Prewash (prelavado). Use siempre detergente tipo HE (Alta eficiencia ) con su lavadora.

- La cantidad de detergente agregado para la opción de prelavado debe ser la mitad de la cantidad para el ciclo de lavado principal. Por ejemplo, si el ciclo de lavado principal requiere una medida de detergente, añada media medida para la opción de prelavado.

**NOTA:** Si usted utiliza el detergente líquido para el lavado principal cuando se usa la opción de prelavado, el accesorio de la taza de detergente debe ser usado en el depósito del lavado principal para evitar que el detergente líquido de lavado principal se dispense inmediatamente.

### **Compartimiento de detergente para el lavado principal**

Este compartimiento alberga el detergente para el ciclo de lavado principal, el cual se agrega a la carga al principio del ciclo. Use siempre detergente tipo HE (Alta eficiencia ) con su lavadora.

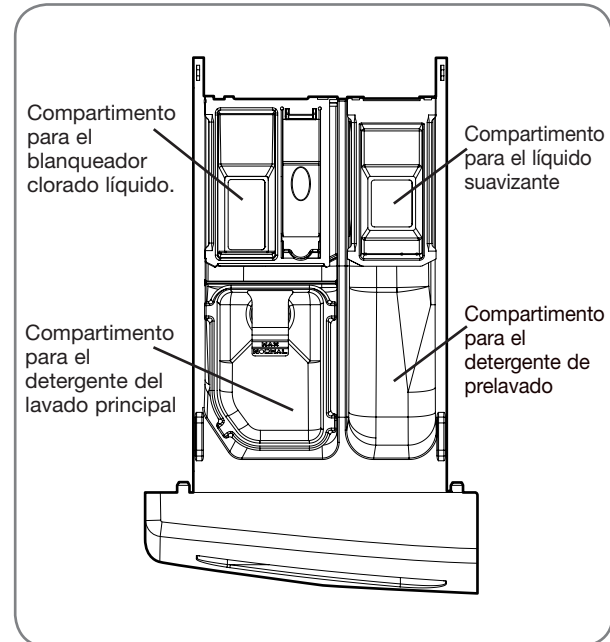
Cuando agregue detergente **nunca** sobrepase las recomendaciones del fabricante. Utilizar demasiado detergente puede resultar en la acumulación del mismo en las prendas y en la lavadora. Se puede utilizar tanto detergente líquido como en polvo.

- Cuando usa detergente líquido, asegúrese de que la taza e inserto se encuentran colocados en su sitio. No exceda la línea de llenado máxima.
- Cuando utiliza detergente en polvo, quite el inserto y la taza de detergente líquido del compartimiento. El detergente en polvo no se suministrará si están colocados la taza de detergente líquido y el inserto.

**NOTA:** Se puede agregar el blanqueador a prueba de decoloramiento líquido o en polvo al compartimiento de lavado principal utilizando detergente del mismo tipo.



Diseñada específicamente para usar con el detergente tipo HE (Alta eficiencia )



### **Compartimiento de blanqueador líquido**

Este compartimiento alberga blanqueador líquido, que se suministrará automáticamente en el momento adecuado del ciclo de lavado.

- No agregue blanqueador a prueba de decoloramiento líquido o en polvo a este compartimiento.
- Siga siempre las recomendaciones del fabricante cuando agregue blanqueador. No exceda la línea de llenado máxima. Usar demasiado blanqueador puede dañar las telas.
- Nunca descargue blanqueador líquido no diluido directamente en la carga o en el tambor. Puede dañar las telas.

### **Compartimiento del suavizante**

Este compartimiento alberga el suavizante líquido de telas, que se suministrará automáticamente durante el ciclo de enjuague final.

- Siga siempre las recomendaciones del fabricante cuando agregue suavizante. No exceda la línea de llenado máxima. Usar demasiado suavizante puede causar que las telas se manchen.
- Diluya los suavizadores de tela concentrados junto con agua caliente. No exceda la línea de llenado máxima.
- Nunca agregue suavizador de tela directamente en la carga o en el tambor.

## LA PANTALLA DE COLOR LCD

La pantalla LCD muestra los ajustes, el tiempo restante estimado, las opciones y los mensajes de estado correspondientes a su lavadora. Cuando se enciende la lavadora, se iluminará la luz de la pantalla.

### A PANTALLA DE ESTADO/CICLO

Esta porción de la pantalla muestra el ciclo seleccionado, el estado de funcionamiento y los mensajes especiales. Si el ciclo tiene instrucciones especiales, también se mostrarán en esta área.

### B ESTIMATED TIME REMAINING (TIEMPO RESTANTE ESTIMADO)

Cuando se aprieta el botón INICIO/PAUSA, la lavadora detecta automáticamente la carga de lavado (peso) y optimiza el tiempo de lavado, en base al ciclo y las opciones seleccionadas. Luego la pantalla indicará el tiempo restante estimado para dicho ciclo.

**NOTA:** El tiempo de ciclo mostrado puede mostrarse mucho más largo que el de una lavadora de carga superior. El tiempo mostrado corresponde al ciclo completo, y no solo la porción de agitación del ciclo, como se muestra típicamente en una lavadora de carga superior.

### C INDICADOR DE FINALIZACIÓN DE CICLO

Muestra la porción del ciclo de lavado actual que se ha completado.

### D INDICADOR DE OPERAR CICLO

Este indicador muestra que la lavadora se configuró para ejecutar de operar ciclo.

### E INDICADOR DE STEAM (vapor)

Este indicador muestra que la lavadora se configuró para ejecutar la opción STEAM (vapor).

### F INDICADOR DE PRE-WASH (prelavado)

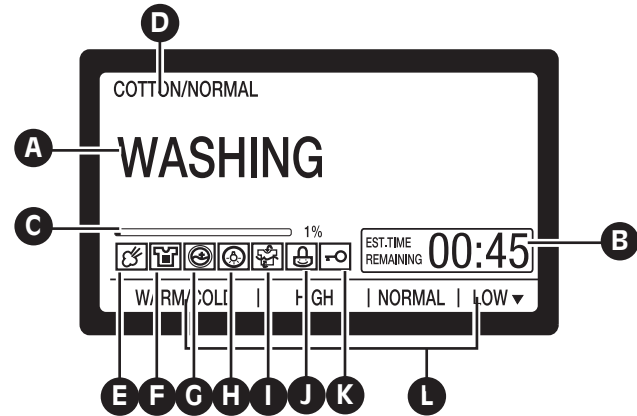
Este indicador muestra que la lavadora se configuró para ejecutar la opción PRE-WASH (prelavado).

### G INDICADOR DE WATER PLUS (agua plus)

Este indicador muestra que la lavadora se configuró para ejecutar la opción WATER PLUS (agua plus).

### H INDICADOR DE DRUM LIGHT (luz del tambor)

Este indicador muestra que la lavadora se configuró para ejecutar la opción DRUM LIGHT (luz del tambor).



### I INDICADOR DE WASH/RINSE OPTIMIZER™

Este indicador muestra que la lavadora se configuró para ejecutar la opción WASH/RINSE OPTIMIZER™.

### J INDICADOR DE CHILD LOCK (CERR.NIÑ )

Cuando se ha fijado el CHILD LOCK (CERR.NIÑ), aparecerá el indicador de seguro infantil y se desactivarán todos los botones excepto el botón de MARCHA/APAGADO (ON/OFF). Esto previene que los niños cambien los ajustes mientras la lavadora se encuentra en funcionamiento.

### K INDICADOR DE PUERTA BLOQUEADA

Indica que la compuerta está asegurada. La compuerta de la lavadora se asegurará mientras la lavadora se encuentra funcionando. Se puede liberar la compuerta apretando el botón START/PAUSE (INICIO/PAUSA) para parar la lavadora.

**NOTA:** Si la temperatura de la lavadora es demasiado alta, la puerta no se desbloqueará hasta que la lavadora se enfríe. Si el nivel de agua de la lavadora es demasiado algo, seleccionar el desagüe & centrifugado (véase la página 23 para más detalles) para expulsar el exceso de agua. No intente forzar la puerta para que se abra.

### L INDICADORES DE PROGRAMACIÓN DE CICLOS

Estos indicadores muestran la programación para los ciclos actuales correspondientes a WASH/RINSE (lavado/enjuague), SPIN SPEED (velocidad de centrifugado), SOIL LEVEL (nivel de suciedad), y BEEPER (alarma). Para cambiar estos ajustes, apriete el botón de ajustes adecuado.

**NOTA:** Para proteger sus prendas de vestir, no todas las temperaturas de lavado/enjuague, velocidades de centrifugado, niveles de suciedad u opciones están disponibles en cada ciclo.

# CÓMO USAR

## CICLOS DE VAPOR



Los ciclos de STEAM (vapor) incluyen STEAMFRESH™, SANITARY (SANITARIO), BULKY/LARGE (voluminoso/ grande), COTTON/NORMAL (algodón/normal), HEAVY DUTY (muy potente), BRIGHT WHITES™, TOWELS (toallas), PERM. PRESS (PLANCHADO PERM.), y ALLERGIENE™.

Añadir la opción de vapor a estos ciclos permite un mejor desempeño de limpieza a la vez que se ahorra energía y consumo de agua. Al usar un chorro de vapor caliente desde arriba y agua más fría más abajo, las telas obtienen los beneficios de limpieza de un lavado súper caliente, sin el uso de energía o daño potencial a las telas.

### Para añadir vapor al ciclo estándar:

- 1 Encienda la lavadora y gire la perilla selectora de ciclos para seleccionar un ciclo con la opción STEAM (vapor).
- 2 Apriete el botón STEAM (vapor). La lavadora programará automáticamente los ajustes de ciclo.
- 3 Programe cualquiera de las demás opciones deseadas.
- 4 Apriete el botón INICIO/PAUSA para iniciar el ciclo. La lavadora iniciará automáticamente.

### PRECAUCIÓN:

**No toque la compuerta durante los ciclos de vapor. La superficie de la compuerta puede estar muy caliente. Permita que el seguro de la compuerta se libere antes de abrir la compuerta.**

**No intente forzar el mecanismo de seguro de la compuerta o meter la mano dentro de la lavadora durante un ciclo de vapor. El vapor puede causar quemaduras severas.**

### NOTAS IMPORTANTES SOBRE LOS CICLOS DE VAPOR:

- Puede que el vapor no sea claramente visible durante los ciclos de vapor. Esto es normal. Demasiado vapor podría dañar las prendas.
- No utilice el vapor en telas delicadas tales como lana, seda o telas que se decoloren fácilmente.
- No toque la compuerta.

### Cómo usar el ciclo SteamFresh™

SteamFresh™ usa el poder del vapor por sí solo para reducir arrugas y olores en las telas. Brinda nueva vida a prendas arrugadas que han sido almacenadas por un período prolongado de tiempo y facilita el planchado en prendas muy arrugadas. SteamFresh™ también puede usarse para ayudar a reducir los malos olores de las telas.

### Utilice el ciclo SteamFresh™:

- 1 Encienda la lavadora y gire la perilla selectora de ciclos hasta el ciclo SteamFresh™.
- 2 Cargue hasta 5 prendas y cierre la compuerta.  
**NOTA:** Si hay humedad dentro del tambor, de un ciclo de lavado previo, séquelo con una toalla antes de agregar las prendas.
- 3 Apriete el botón STEAM (vapor) hasta que se indique el número correcto de prendas en la pantalla. No se necesita programar ninguna otra opción.
- 4 Apriete el botón INICIO/PAUSA para iniciar el ciclo.

Después de completar el ciclo SteamFresh™, la lavadora volteará las prendas durante un máximo de 30 minutos para prevenir la formación de arrugas.

Después de sacar las prendas del ciclo SteamFresh™, pueden sentirse levemente húmedas. Coloque las prendas en un colgador durante 10 minutos para que se sequen.

- No se recomienda utilizar el ciclo SteamFresh™ en prendas que sean 100% de algodón.
- Elimine las manchas de las prendas antes de utilizar el ciclo Steam Fresh™; el calor hará que las manchas se fijen permanentemente.
- No utilice SteamFresh™ con las siguientes prendas: lana, cobijas, chaquetas de cuero, seda, prendas mojadas, lencería, productos de espuma o cobijas eléctricas.
- Se lograrán mejores resultados cuando las prendas sean similares en tamaño y tipo de tela. No sobrecargue.

## CICLOS DE LAVAR RAPIDO

Use el ciclo de lavado de velocidad para lavado rápido de ropa levemente sucia y carga pequeña. Para el lavado y enjuague de alta eficiencia se recomiendan cargas pequeñas de 2-3 prendas levemente sucias.

**NOTA:** Use poco detergente en este ciclo. Si usted desea más enjuague, puede agregar suavizante adicional utilizando el botón opcional para esta función.

## CICLOS DE COLDWASH™ (LAVADO EN FRÍO)



Los ciclos de COLDWASH™ incluyen COTTON/NORMAL, PERM.PRESS, BULKY/LARGE, HEAVY DUTY, TOWELS, DELICATES, HANDWASH/WOOL, y SPEED WASH.

Agregar la opción COLDWASH™ a estos ciclos brinda una reducción de energía y el mismo desempeño de lavado que un lavado con agua tibia. Mediante el uso de 6 movimientos de lavado diferentes (rotación, balanceo, salto, refregado, oscilación y filtración), las telas obtienen los beneficios del lavado sin el gasto de energía.

**Para añadir COLDWASH™ al ciclo estándar:**

- 1 Encienda la lavadora y gire la perilla selectora de ciclos para seleccionar un ciclo con la opción COLDWASH™.
- 2 Apriete el botón COLDWASH™. La lavadora programará automáticamente los ajustes de ciclo.
- 3 Programe cualquiera de las demás opciones deseadas.
- 4 Apriete el botón INICIO/PAUSA para iniciar el ciclo. La lavadora se iniciará automáticamente.

**NOTAS IMPORTANTES SOBRE LOS CICLOS DE COLDWASH™ :**

- Cuando seleccione la opción COLDWASH™, el tiempo de lavado se elevará hasta en 10 minutos.
- Para una eficiencia de lavado elevada, se recomienda utilizar menos de 8 libras.

## BOTONES DE AJUSTE DE CICLO

Cada ciclo tiene ajustes preprogramables que se seleccionan automáticamente. También puede personalizar los ajustes utilizando los botones de programación de ciclos. Apriete el botón para ver esa opción y seleccionar otros ajustes.

La lavadora ajusta automáticamente el nivel de agua según el tipo y tamaño de la carga de lavado para proporcionar los mejores resultados y eficiencia máxima. Puede parecer que no hay agua dentro del tambor en algunos ciclos, pero esto es normal.

**NOTA:** Para proteger sus prendas de vestir, no todas las temperaturas de lavado/enjuague, velocidades de centrifugado, niveles de suciedad u opciones están disponibles en cada ciclo. Vea la Guía de ciclos para obtener más detalles.

**WASH/RINSE (lavado/enjuague)**



Selecciona la combinación de temperatura de lavado y enjuague para el ciclo seleccionado. Apriete el botón WASH/RINSE (lavado/enjuague) repetidamente para navegar a través de los ajustes disponibles.

- Su lavadora contiene un elemento de calentamiento propulsa la temperatura del agua caliente para ajustes extra calientes (Extra Hot). Esto brinda un desempeño de lavado mejorado que con los ajustes de calefactor de agua normales.
- Seleccione la temperatura de agua adecuada para el tipo de carga que se encuentra lavando. Siga las instrucciones de la etiqueta de mantenimiento de la tela para obtener los mejores resultados.
- Los enjuagues calientes dejan las cargas más secas que los fríos. Los enjuagues calientes pueden aumentar las arrugas.
- En climas fríos, un enjuague caliente permite mayor comodidad en la manipulación de la carga.
- Los enjuagues fríos ahorran energía.

**SOIL LEVEL (nivel de suciedad)**



Ajusta el ciclo seleccionado para permitir más tiempo de lavado para prendas muy sucias o menos tiempo para prendas levemente sucias.

**SPIN SPEED (velocidad de giro)**



El tambor de la lavadora centrifuga a 1.400 r.p.m. Esto reduce el ciclo de secado y ahorra energía.

Apriete el botón SPIN SPEED (velocidad de centrifugado) para seleccionar la velocidad de centrifugado máxima. Algunas telas, como las delicadas, requieren una velocidad de centrifugado más lenta.

**El ciclo de desagüe & centrifugado :** El botón de SPIN SPEED (velocidad de centrifugado) también activa el ciclo Drain and Spin (desagüe y centrifugado) a fin de vaciar el tambor y centrifugar las prendas; por ejemplo, si desea quitar la ropa antes de que el ciclo haya finalizado.

**Para activar el ciclo de desagüe & centrifugado :**

- 1 Apriete el botón ENCENDIDO/APAGADO para encender la lavadora.
- 2 Apriete el botón SPIN SPEED (velocidad de centrifugado).
- 3 Seleccione la velocidad de centrifugado deseada.  
**NOTA:** Si se ha seleccionado NO SPIN (sin centrifugado), la lavadora únicamente drenará.
- 4 Apriete el botón INICIO/PAUSA.

**BEEPER (alarma)**



Ajusta el volumen de la alarma de finalización de ciclo, o lo apaga.

# CÓMO USAR

## BOTONES DE FUNCIÓN ESPECIAL

Su Steam Washer™ dispone de varias opciones de ciclo adicionales, las cuales personalizan los ciclos para cumplir con sus necesidades individuales. Ciertos botones de opción también incorporan una función especial (vea la siguiente página para obtener mayor información) que puede activarse apretando y manteniendo apretado ese botón de opción por 3 segundos.

### Para añadir opciones de ciclo al ciclo:

- 1 Encienda la lavadora y gire la perilla selectora de ciclos para seleccionar el ciclo deseado.
- 2 Use los botones de programación de ciclo para fijar los ajustes para ese ciclo.
- 3 Apriete el(los) botón(es) de opción de ciclo para la opción que desea añadir. Los botones de opción de ciclo se encenderán cuando se seleccionan.
- 4 Apriete el botón INICIO/PAUSA para iniciar el ciclo. La lavadora se iniciará automáticamente.

**NOTA:** Para proteger sus prendas de vestir, no todas las temperaturas de lavado/enjuague, velocidades de centrifugado, niveles de suciedad u opciones están disponibles en cada ciclo. Vea la Guía de ciclos para obtener más detalles.

### STEAM (VAPOR)



Use el botón STEAM (vapor) para añadir vapor al ciclo para añadir poder de limpieza adicional y eficiencia mejorada. Vea la sección de *Ciclos de vapor* para obtener detalles adicionales.

**NOTA:** No se pueden usar todos los ciclos con la opción STEAM (vapor).

### DELAY WASH (LAVADO DEMORADO)



Una vez que haya seleccionado el ciclo y otros ajustes, apriete este botón para demorar el inicio del ciclo de lavado. Cada vez que se aprieta este botón se aumenta el tiempo de demora en lapsos de 1 hora, hasta 19 horas.

### STAIN CARE (TRATAR MANCHAS)



Use esta opción para cargas con manchas difíciles que necesiten un tratamiento antimanchas mejorado. Al escoger la función STAIN CARE (TRATAR MANCHAS), el agua comenzará el ciclo escogiendo una temperatura media, para ayudar a prevenir la fijación de ciertos tipos de manchas. Entonces, una medida que el ciclo avanza, el agua irá calentándose a temperaturas cada vez mayores para ayudar a eliminar las manchas que exigen tratamientos a mayores temperaturas. Esta opción está diseñada para una óptima eliminación de manchas.

**NOTA:** Si escoge la función STAIN CARE (TRATAR MANCHAS), junto con el ciclo SANITARY (SANITARIO), el programa comenzará con agua muy caliente; ajuste predeterminado para este ciclo que no puede cambiarse.

### GUARDAR PGM (PROGRAMA)



Utilice el botón CUSTOM PGM para seleccionar el curso anteriormente guardado mediante GUARDAR PGM (PROGRAMA).

### COLDWASH™



Utilice esta función para ahorrar energía usando agua fría mientras se asegura un lavado adecuado. Para obtener una alta eficiencia en el lavado, recomendamos cargar menos de 8 libras.

### FRESH CARE



Use esta función cuando usted no puede sacar su ropa, poco después de terminado el ciclo de lavado. Esta función proporciona secado periódico hasta aproximadamente 8 horas para prevenir arrugas. Si presiona el botón de START/PAUSE (Inicio/pausa) o el botón de ON/OFF (Encendido/Apagado), puede sacar su ropa en cualquier momento.

### ACLARADO ADICIONAL



Esta opción añadirá un ciclo de aclarado adicional al ciclo seleccionado. Utilice esta opción para ayudar a eliminar el resto de detergente o blanqueador de las prendas.

### ADD GARMENTS (AGREGAR PRENDAS)

La función de agregado de prendas le permitirá agregar prendas durante el ciclo. Cuando la pantalla muestra Add Garments, presione el botón START/PAUSE (Inicio/Pausa) y agregue las prendas.

**NOTA:** La función NO PUEDE ser usada cuando la temperatura de la tina o el nivel del agua son altos y durante el centrifugado.

## PROGRAMA PERSONALIZADO



Si tiene una combinación especial de ajustes que usa con frecuencia, puede guardar estos ajustes a manera de PROGRAMA PERSONALIZADO (CUSTOM PROGRAM).

### Para guardar un programa personalizado:

- 1 Encienda la lavadora y gire la perilla selectora de ciclos para seleccionar el ciclo deseado.
- 2 Use los botones de programación de ciclo para fijar los ajustes para ese ciclo.
- 3 Apriete el(los) botón(es) de opción de ciclo para la opción que desea añadir. Aparecerá en la pantalla un mensaje de confirmación.
- 4 Apriete y mantenga apretado el botón CUSTOM PROGRAM durante 3 segundos.

**NOTA:** Puede guardar sólo un programa personalizado a la vez. Al apretar y mantener apretado el botón CUSTOM PROGRAM, reemplazará cualquier programa personalizado que haya guardado anteriormente.

### Para recuperar un programa personalizado:

- 1 Encienda la lavadora.
- 2 Apriete el botón CUSTOM PROGRAM.
- 3 Apriete el botón INICIO/PAUSA (START/PAUSE) para iniciar el ciclo.

## FUNCIONES SECUNDARIAS

Los botones de función especial también activan funciones secundarias, incluyendo CHILD LOCK (CERR.NIÑ), DRUM LIGHT (luz del tambor), WASH/RINSE OPTIMIZER™ y LANGUAGE (idioma). Apriete y mantenga apretado el botón de opción marcado con la función secundaria por 3 segundos para activar.

### CHILD LOCK (CERR.NIÑ)



Use esta función para prevenir el uso no deseado de la lavadora o para impedir cambiar los ajustes de un ciclo mientras la lavadora se encuentra en funcionamiento. Apriete y mantenga apretado el botón de STAIN CARE por 3 segundos para activar o desactivar el CHILD LOCK (CERR.NIÑ).

Se mostrará CHILD LOCK (CERR.NIÑ) en la pantalla, y se desactivarán todos los botones excepto el botón de ENCENDIDO/APAGADO (ON/OFF).

**NOTA:** CHILD LOCK (CERR.NIÑ) se mantiene después del fin del ciclo. Si desea desactivar esta función, presione y sostenga 3 segundos el botón STAIN CARE.

### DRUM LIGHT (LUZ DEL TAMBOR)



El tambor está equipado con una luz LED azul que se enciende cuando se prende la lavadora. Esta luz se apaga automáticamente cuando se cierra la compuerta e inicia el ciclo. Para encender la luz durante un ciclo, apriete y mantenga apretado el botón DELAY WASH (lavadora demorado) por 3 segundos. Se iluminará la luz del tambor y luego se apagará automáticamente después de 4 minutos.

### WASH/RINSE OPTIMIZER™ (OPTIMIZADOR DE LAVADO/ENJUAGUE)



Esta función puede permitirle ajustar eficientemente el tiempo de lavado y enjuague controlando el nivel de detergente y el grado de dureza.

Presione y sostenga el botón EXTRA RINSE durante 3 segundos para activar o desactivar la función WASH/RINSE OPTIMIZER™.

- 1 Cantidad excesiva de detergente: el ciclo de enjuague se aumenta.
- 2 Cantidad insuficiente de detergente: el tiempo de lavado se aumenta.
- 3 Si se detecta una pequeña cantidad de detergente restante, se agregará un enjuague adicional.

### LANGUAGE (IDIOMA)

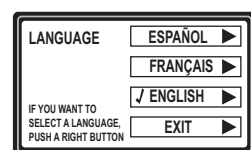


La opción LANGUAGE (idioma) le permite cambiar el idioma indicado en la pantalla. Una vez fijado, permanecerá el idioma seleccionado incluso si se apaga la lavadora.

Las opciones de idioma de la pantalla están en inglés, francés y español; siendo el inglés el idioma por defecto.

#### Para cambiar el idioma:

- 1 Apriete el botón ENCENDIDO/APAGADO para encender la lavadora.
- 2 Apriete y mantenga apretado el botón OPTION (opción) por 3 segundos, hasta que aparezca la siguiente pantalla.



- 3 Al presionar el botón OPCIÓN, la misma se exhibe en inglés ya que es el idioma por omisión. Presione el botón FRESH CARE para seleccionar FRANÇAIS (Francés) o COLDWASH™ para ESPAÑOL.

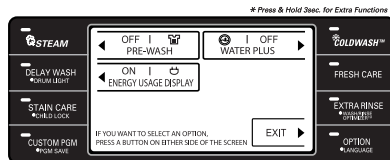
# CÓMO USAR

## LOS BOTONES OPCIONALES

Al presionar el botón OPCIÓN se exhibirán opciones de ciclos que se pueden agregar a los ciclos de lavado regular, incluyendo PRE-WASH (PRELAVADO), WATER PLUS (AGUA PLUS) y ENERGY USAGE DISPLAY (Visualización del uso de energía).

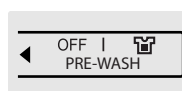
### Para activar las opciones de ciclo:

- 1 Encienda la lavadora y gire la perilla selectora de ciclos para elegir el ciclo deseado.
- 2 Presione el botón OPCIÓN. Aparecerán las opciones de ciclo: PRE-WASH (PRELAVADO), WATER PLUS (AGUA PLUS) y ENERGY USAGE DISPLAY (Visualización del uso de energía).



- 3 Presione el botón que se encuentra junto a la opción deseada; su estado pasará a estar en ENCENDIDO (ON), APAGADO (OFF) la opción, presione el botón nuevamente.
- 4 Para regresar a la pantalla principal, presione OPTION (opción) otra vez o espere 3 segundos.
- 5 Presione START/PAUSE (inicio/pausa) para iniciar el ciclo con las opciones seleccionadas.

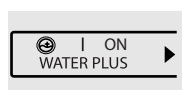
### PRE-WASH (prelavado)



Seleccione esta opción para añadir un prelavado de 17 minutos y un ciclo de centrifugado al ciclo escogido.

Esta opción es especialmente útil para artículos muy sucios. Presione el botón OPTION (OPCIÓN) y luego presione el botón STEAM (VAPOR) para seleccionar PRE-WASH (PRELAVADO).

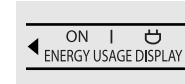
### WATER PLUS (AGUA PLUS)



Seleccione esta opción para añadir agua adicional a los ciclos de lavado y enjuague para la obtención de resultados superiores, especialmente con artículos grandes o voluminosos.

Presione el botón OPTION (OPCIÓN) y luego presione el botón COLDWASH™ para seleccionar WATER PLUS (AGUA PLUS).

### ENERGY USAGE DISPLAY (Visualización del uso de energía)



Esta opción proporciona el costo de energía eléctrica y de operación para el ciclo que seleccionó en la pantalla LCD. La carga eléctrica es convertida a la tasa de Energy

Star. Esta es una opción por defecto. Para apagar esta opción presione el botón OPTION y luego presione el botón DELAY WASH. (Costo estimado de operación basado en ocho lavados a la semana y en el costo promedio de electricidad de 10,65 p/kWh en el 2007, y un costo de gas natural de \$1,218 por término

**NOTA:** El costo dependerá de sus tarifas de servicios públicos el uso. Y la energía eléctrica y el costo operativo dependerán término del ciclo

## CICLOS DE CUIDADO ESPECIAL

### ALLERGIENE™

El ciclo ALLERGIENE™ es un ciclo potente y de alta temperatura diseñado para reducir específicamente ciertos alérgenos.

- La selección del ciclo "ALLERGIENE™" automáticamente incorpora el vapor en el ciclo del lavado.
- El ciclo ALLERGIENE™ puede apreciablemente reducir alérgenos en el ropa de cama y la ropa.
- El ciclo ALLERGIENE™ ayuda a reducir poblaciones de ácaros del polvillo y ayuda a reducir alérgenos.
- Debido al uso de la alta energía y temperatura, el ciclo ALLERGIENE™ no es recomendado para la lana, la seda, el cuero, ni cualquier otro artículo delicado y sensible a la temperatura.

### LAVAR A MANO / LANA

- Sólo las prendas de lana marcadas como apta para lavadora deben lavarse en esta máquina.
- Lave sólo pequeñas cargas para un cuidado óptimo de las telas (menos de 8 libras).
- Sólo deben usarse detergentes neutrales (aptos para lana) (Sólo se necesita una pequeña cantidad de detergente debido al tamaño pequeño de carga y el bajo volumen de agua del ciclo).
- El ciclo HAND WASH/WOOL (LAVAR A MANO / LANA) utiliza un secado delicado y un centrifugado de baja velocidad para un cuidado extremo de las telas.



WOOLMARK

El ciclo de lavado de lana de esta máquina ha sido aprobado por Woolmark para el lavado de productos Woolmark aptos para lavadoras siempre que tales productos se laven de acuerdo con las instrucciones de la etiqueta de la prenda y las emitidas por el fabricante de esta lavadora, M0807.



Certificado por NSF

NSF International (anteriormente conocida National Sanitation Foundation) (Fundación Sanitaria Nacional), certifica que el ciclo **SANITARIO** reduce el 99.9% de las bacterias de las prendas lavadas, y que ninguna clase de bacteria pasará a la siguiente carga de lavado.

## LIMPIEZA REGULAR

### **⚠️ ADVERTENCIA:**

- **Desenchufe la lavadora antes de limpiar la misma para evitar el riesgo de descargas eléctricas.** Si no se cumple con esta advertencia se podrán producir heridas graves, incendios, descargas eléctricas o muerte.
- **Al limpiar la lavadora nunca utilice químicos de corte, limpiadores abrasivos o solventes.** Los mismos dañarán su aspecto.

#### **Limpieza del exterior**

El mantenimiento adecuado de su lavadora podría prolongar su vida útil. El exterior de la unidad puede limpiarse con agua tibia y un detergente de jabón medio, no abrasivo.

Limpie inmediatamente cualquier clase de fuga, con un trapo suave húmedo.

**IMPORTANTE:** No use alcohol desnaturalizado, disolventes o productos similares.

Nunca use limpiadores abrasivos o de lana metálica; pueden dañar la superficie.

#### **Mantenimiento y limpieza del interior**

Use una toalla o trapo suave para pasar por la apertura de la compuerta de la lavadora, el burlete y/o la compuerta de vidrio. Estas áreas deben mantenerse limpias para asegurar la impermeabilidad. Asegúrese de limpiar debajo del sello de caucho interior para eliminar cualquier resto de humedad o suciedad.

Siempre remueva artículos de la lavadora tan pronto como se complete el ciclo. De lo contrario se podrían causar arrugas, transferencias de color y mal olor.

Ejecute el ciclo TUB CLEAN+ (LIMPIEZA DE CONDUCTO+) regularmente para eliminar la acumulación de detergente y otros residuos.

**NOTA:** Si utiliza el ciclo TUB CLEAN+ mensualmente, el tambor de lavado se mantendrá limpio.

#### **Limpieza de las boquillas de circulación de vapor y agua**

Utilice un hisopo de algodón para eliminar los depósitos de calcio o acumulación de detergente del interior de las boquillas de circulación de agua y vapor.

**NUNCA** use un objeto filoso o puntiagudo; podría dañar las boquillas.

#### **Cómo quitar manchas de la junta de la puerta**

**NOTA:** Utilice guantes de goma y protección ocular mientras realiza lo siguiente:

- 1 Diluya  $\frac{3}{4}$  taza (177 ml) de blanqueador líquido con 1 galón (3.8 lt.) de agua tibia/caliente.
- 2 Utilice esta solución para limpiar todas las superficies de la junta a fin de remover los depósitos que estén provocando el olor. (Asegúrese de desplegar el reborde de la junta para llegar debajo del borde, donde se pueden acumular residuos).
- 3 Limpie la junta con un paño seco.
- 4 Deje la puerta abierta para permitir que la junta se seque por completo. No utilice blanqueador sin diluir porque dañará la junta. Siga las instrucciones del fabricante para realizar un uso adecuado del blanqueador. Si la junta no puede limpiarse como corresponde, deberá instalarse una nueva.

#### **Lea detenidamente estas instrucciones antes de iniciar el ciclo LIMPIEZA DE LA CUBETA.**

- 1 Abra la puerta y retire cualquier prenda existente en el tambor de lavado.
- 2 Abra el compartimento del dispensador.
- 3 Añada lejía de cloro líquida o limpiador de cubetas.  
Pueden usarse algunos limpiadores de cubetas en polvo o pastillas fabricadas a tal efecto.  
(NOTA: no añada ningún detergente o suavizante para ropa al realizar la LIMPIEZA DE LA CUBETA).  
**- Si usa lejía de cloro líquida**  
Añada lejía de cloro líquida en el compartimento para lejía del dispensador.  
(NOTA: no rebase la línea de llenado máximo y no vierta lejía líquida sin diluir directamente dentro del tambor de lavado).  
**- Si usa limpiador en polvo**  
Retire el recipiente de detergente líquido y añada limpiador en polvo al compartimento de lavado principal del dispensador.  
**- Si usa limpiador en pastillas**  
Añada el limpiador en pastillas directamente al tambor de lavado.  
(NOTA: no añada limpiador en pastillas al dispensador).
- 4 Cierre el dispensador y la puerta de la lavadora.
- 5 Escoja el programa LIMPIEZA DE LA CUBETA (TUB CLEAN+) y pulse INICIO.

**NOTA :** Se recomienda usar el programa de LIMPIEZA DE LA CUBETA una vez al mes.

Si ya se hubiera formado moho o se percibiese olor a humedad, ejecute el programa de LIMPIEZA DE LA CUBETA semanalmente durante 3 semanas. Una vez completado el programa de LIMPIEZA DE LA CUBETA o cuando la lavadora no vaya a usarse, deje la puerta de la máquina abierta para lograr una ventilación y un secado interior óptimo.

# CUIDADOS Y LIMPIEZA

## LIMPIEZA REGULAR (cont.)

### Almacenamiento de la lavadora

Si no se utilizará la lavadora por un período prolongado de tiempo y se encuentra en un área que puede estar expuesta a temperaturas de congelamiento:

- 1 Cierre la llave de suministro de agua.
- 2 Desconecte las mangueras del suministro de agua y drene el agua de las mangueras.
- 3 Conecte el cable eléctrico a un tomacorriente conectado a tierra correctamente.
- 4 Añada 3,8 litros de anticongelante para vehículo recreacional en el tambor vacío de la lavadora. Cierre la compuerta.
- 5 Seleccione el ciclo de centrifugado y deje que la lavadora centrifugue por 1 minuto para drenar el agua.

**NOTA:** NO todo el anticongelante para vehículo recreacional será expulsado.

- 6 Desconecte el cable eléctrico, seque el interior del tambor con un trapo suave, y cierre la compuerta.
- 7 Quite los insertos del depósito. Drene cualquier resto de agua en los compartimientos y séquelos.
- 8 Almacene la lavadora en posición vertical.
- 9 Para eliminar el anticongelante de la lavadora después del almacenamiento, active la lavadora por un ciclo completo utilizando detergente. **¡No añada prendas para lavar!**

### Eliminación de la acumulación de cal

Si vive en un área con agua dura, se pueden formar depósitos calcáreos en los componentes internos de la lavadora. Se recomienda el uso de ablandador de agua en áreas con agua dura. Si se utiliza un desincrustante, asegúrese de que sea el adecuado para usar con una lavadora, y active el ciclo TUB CLEAN+ (LIMPIEZA DE CONDUCTO+) antes de lavar prendas.

Se pueden eliminar los depósitos calcáreos y otras manchas del tambor de acero inoxidable utilizando un limpiador para acero inoxidable. NO use lana de acero ni limpiadores abrasivos; pueden dañar la superficie.

### Indicación de activación de la limpieza de cubeta

Para limpiar la cubeta, seleccione el programa de limpieza de cubeta. Por favor, vacíe la cubeta e introduzca blanqueador dentro del dispensador de detergente y presione el botón de limpieza de cubeta.

### Mantenga la puerta abierta

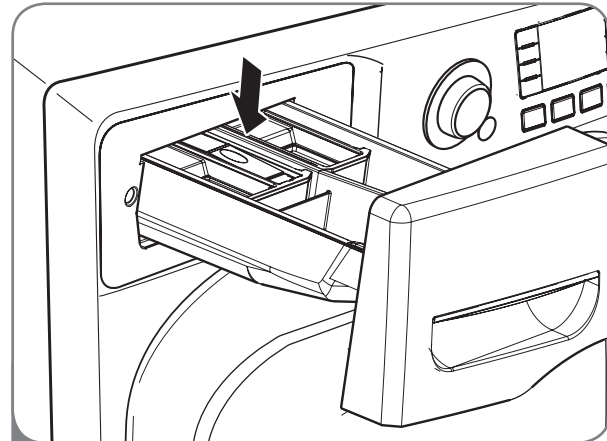
Se recomienda dejar la puerta abierta después de finalizado el lavado para mantener limpia la cubeta.

**NOTA:** Si limpia el dispensador de detergente semanalmente, siempre lo dispensará correctamente.

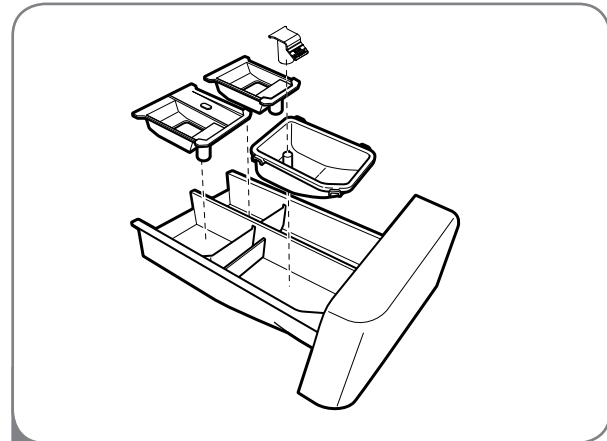
## LIMPIEZA DE LA LAVADORA

### Limpieza del depósito

Se debe limpiar el depósito periódicamente para eliminar la acumulación de detergente y otros productos de lavandería.



- 1 Tire del cajón de depósito hasta que se detenga. Apriete el botón en el centro del cajón y tire para quitar el cajón.



- 2 Quite los insertos del cajón, y límpielos con agua caliente y un trapo o cepillo suaves para eliminar cualquier residuo o acumulación.

Limpie el interior de la apertura del cajón con un trapo húmedo. Vuelva a montar el cajón y reinstale la apertura del mismo.

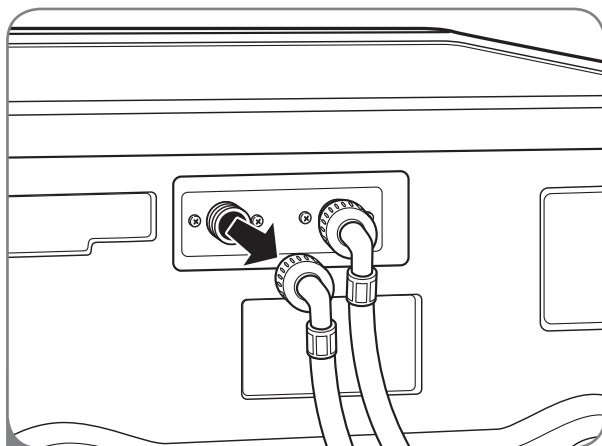
**NOTA:** No use ninguna otra cosa que no sea agua caliente para limpiar el cajón, insertos y aperturas del mismo. Si cualquier tipo de limpiador del hogar drena al interior de la lavadora, ejecute un ciclo RINSE+SPIN (enjuague+centrifugado) antes de lavar ropas.

## MANTENIMIENTO

### *Limpieza de los filtros de entrada de agua*

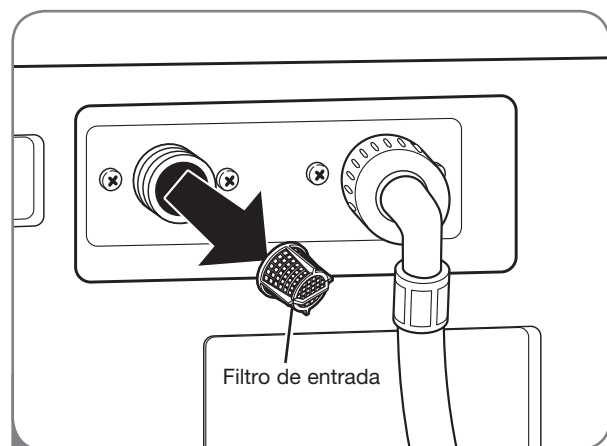
Si la lavadora detecta que el agua no está ingresando al cajón de depósito, se mostrará un mensaje de error en la pantalla. Si vive en una zona de agua dura, esto puede ser el motivo del taponamiento de los filtros de entrada.

**IMPORTANTE:** Ponga mucho cuidado al quitar y limpiar los filtros. Si no se pueden limpiar los filtros o están dañados, NO ponga en funcionamiento la lavadora sin los filtros de entrada. Póngase en contacto con el Departamento de Atención al Cliente de LG o llame a un técnico de mantenimiento calificado de LG.



- 1 Cierre ambas llaves de agua completamente. Desatornille las tuberías de agua caliente y fría de la parte posterior de la lavadora.

**IMPORTANTE:** Usar SOLAMENTE las mangueras de la entrada proporcionadas por LG de este producto de lavandería. Las mangueras del mercado de accesorios no están garantizadas para caber o para funcionar correctamente. Otras mangueras pueden no apretar correctamente y podrían causar pérdidas. El daños posteriores al producto o a la propiedad no serán cubiertos de conformidad con la garantía de LG.



- 2 Quite cuidadosamente los filtros de las entradas de agua, luego remójelas en vinagre blanco o un eliminador de depósitos calcáreos, siguiendo las instrucciones del fabricante. Enjuague profundamente antes de reinstalar.

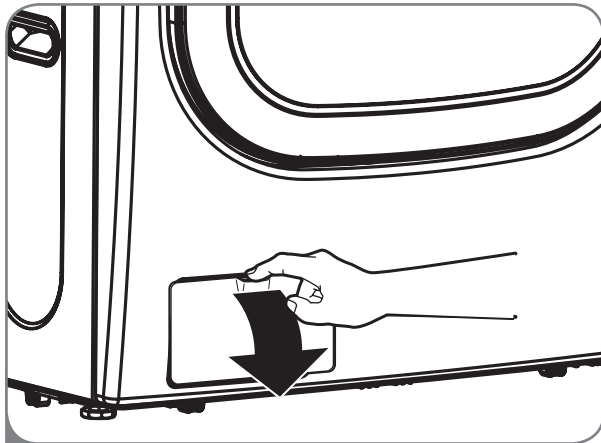
Apriete los filtros nuevamente en su lugar y vuelva a conectar las tuberías de agua. NO ponga en funcionamiento la lavadora sin los filtros de entrada.

# CUIDADOS Y LIMPIEZA

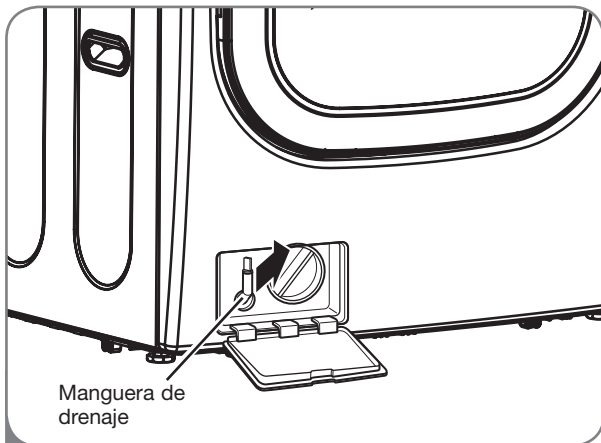
## MANTENIMIENTO (cont.)

### *Limpieza del filtro de la bomba de drenaje*

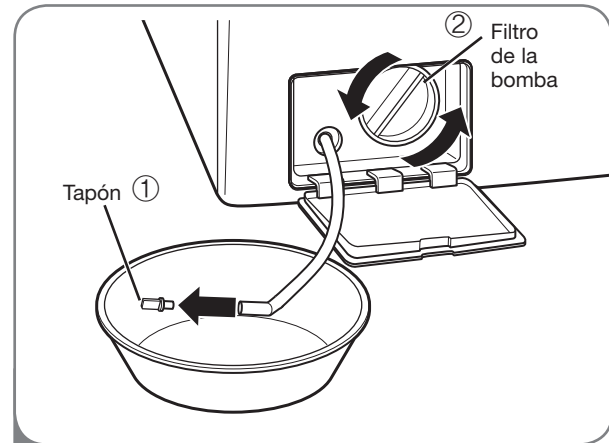
Se pueden acumular pelusas y otros objetos y taponar el filtro de la bomba de drenaje. Si la lavadora no drena adecuadamente, desconéctela y deje enfriar el agua, de ser necesario, antes de continuar.



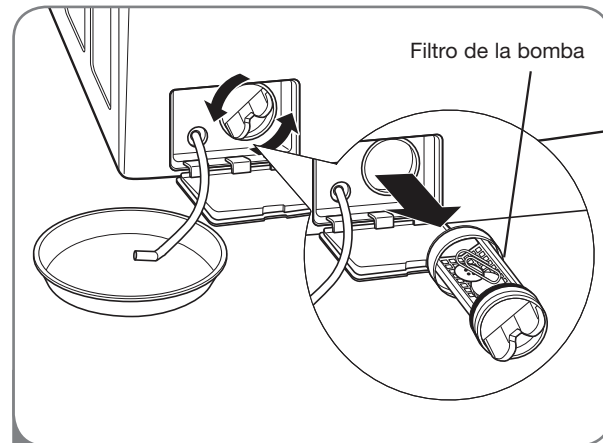
- 1 Abra el filtro del panel de acceso de la bomba de desagüe.



- 2 Desenganche la manguera de drenaje y tírela hacia fuera. Coloque el extremo de la manguera de drenaje en una cacerola, balde, o drenaje de piso para recoger el agua.



- 3 Quite el tapón de la manguera de drenaje, y deje que el agua drene completamente. Gire el filtro de la bomba en sentido contrario a las agujas del reloj para quitarlo. Quite la pelusa u objetos extraños del filtro de la bomba. Invierta los pasos anteriores para volver a instalar el filtro de la bomba de drenaje y la manguera de drenaje. Asegúrese de cerrar el panel cuando haya finalizado.



- 4 Gire el filtro de la bomba en sentido contrario a las agujas del reloj para quitarlo. Quite cualquier depósito de pelusa u objetos extraños del filtro de la bomba. Invierta los procedimientos descritos en los pasos anteriores para volver a instalar el filtro y el tapón de drenaje. Asegúrese de cerrar la tapa.

# RESOLUCIÓN DE PROBLEMAS

## SONIDOS NORMALES QUE PODRÍA ESCUCHAR

Se pueden escuchar los siguientes sonidos mientras la lavadora se encuentra en funcionamiento. Son normales.

### Chasquido:

El seguro de la compuerta se vuelve a colocar cuando la misma se cierra y abre.

### Sonido de chorro o sibilante:

Vapor o chorro de agua o en circulación durante el ciclo.

### Zumbido o gorgoteo:


La bomba de drenaje bombea agua de la lavadora al final de un ciclo.

### Salpicadura:

Las prendas dan vueltas en el tambor durante los ciclos de lavado y enjuague.

## ANTES DE LLAMAR A MANTENIMIENTO

Su Steam Washer™ está equipada con un sistema de monitoreo de error automático para la detección y el diagnóstico de problemas en una etapa temprana. Si su lavadora no funciona adecuadamente o no funciona del todo, revise lo siguiente antes de llamar a mantenimiento.

Problema	Causas posibles	Soluciones
<b>Ruidos de traqueteo</b>	<ul style="list-style-type: none"> <li>Objetos extraños, tales como llaves, monedas, o imperdibles, pueden encontrarse en el tambor o bomba.</li> </ul>	<ul style="list-style-type: none"> <li>Detenga la lavadora y revise que no se encuentren objetos extraños en el tambor y el filtro de drenaje. Si el ruido continúa después de que se vuelva a encender la lavadora, llame a mantenimiento.</li> </ul>
<b>Sonido de golpes</b>	<ul style="list-style-type: none"> <li>Las cargas pesadas pueden producir sonidos de golpes.</li> <li>La lavadora podría estar desbalanceada.</li> </ul>	<ul style="list-style-type: none"> <li>Esto es normal. Si el sonido continúa, la lavadora probablemente está desbalanceada.</li> <li>Detenga la lavadora y vuelva a distribuir la carga de lavado.</li> </ul>
<b>Ruido de vibración</b>	<ul style="list-style-type: none"> <li>No se han quitado los pernos y/o los materiales de embalaje.</li> <li>La carga de lavado podría estar distribuida de manera desigual en el tambor.</li> <li>No todas las patas niveladoras se encuentran apoyadas firmemente en el piso.</li> <li>El piso no es lo suficientemente rígido.</li> </ul>	<ul style="list-style-type: none"> <li>Vea las Instrucciones de instalación para referirse a cómo quitar los pernos de embalaje y el embalaje.</li> <li>Detenga la lavadora y vuelva a distribuir la carga de lavado.</li> <li>Ajuste las patas niveladoras. Asegúrese de que las cuatro patas se encuentren haciendo contacto firme con el piso mientras la lavadora se encuentra en el ciclo de centrifugado con una carga.</li> <li>Asegúrese que el piso es sólido y no flexiona. Refiérase a la sección de <i>instalación</i> "Piso".</li> </ul>
<b>Fugas de agua alrededor de la lavadora</b>	<ul style="list-style-type: none"> <li>La conexión de la manguera de llenado está floja en la llave o en la lavadora.</li> <li>Las tuberías de drenaje del hogar están taponadas.</li> </ul>	<ul style="list-style-type: none"> <li>Revise las mangueras. Revise y ajuste las conexiones de la manguera.</li> <li>Destape la tubería de drenaje. Póngase en contacto con un plomero de ser necesario.</li> </ul>
<b>Cantidades excesivas de espuma</b>	<ul style="list-style-type: none"> <li>Demasiado detergente o detergente incorrecto.</li> </ul>	<ul style="list-style-type: none"> <li>Reduzca la cantidad de detergente o utilice detergente con baja producción de espuma.</li> </ul>  Utilice detergente que porta el logotipo HE (Alta eficiencia) únicamente.

# RESOLUCIÓN DE PROBLEMAS

## ANTES DE LLAMAR A MANTENIMIENTO

Su Steam Washer™ está equipada con un sistema de monitoreo de error automático para la detección y el diagnóstico de problemas en una etapa temprana. Si su lavadora no funciona adecuadamente o no funciona del todo, revise lo siguiente antes de llamar a mantenimiento.

Problema	Causas posibles	Soluciones
<p><b>Telas manchadas</b></p> <div style="border: 1px solid black; padding: 5px; margin-top: 10px;"> <p><b>OE ERROR</b> NOT DRAINING. CHECK THE DRAIN HOSE &amp; FILTER. (LGUS)1-800-243-0000 (LGCANADA)1-888-542-2623</p> </div>	<ul style="list-style-type: none"> <li>El detergente se ha cargado directamente en el tambor de la lavadora.</li> <li>No ha descargado la lavadora con rapidez.</li> <li>No han sido clasificadas las prendas correctamente.</li> </ul>	<ul style="list-style-type: none"> <li>Cargue los productos de lavado en el depósito.</li> <li>Siempre remueva artículos de la lavadora tan pronto termine el ciclo.</li> <li>Siempre lave las prendas de colores oscuros separadas de las de colores claros y de color blanco para evitar manchas. De ser posible, no lave prendas muy sucias con otras menos sucias.</li> </ul>
<p><b>El agua en la lavadora drena demasiado lento o no drena, o la pantalla muestra:</b></p>	<ul style="list-style-type: none"> <li>La manguera de drenaje está doblada, apretada o taponada.</li> <li>El filtro de drenaje está taponado.</li> </ul>	<ul style="list-style-type: none"> <li>Asegúrese de que la manguera de drenaje esté libre de taponamientos, dobladuras, etc., y no está apretada debajo de la lavadora.</li> <li>Limpie el filtro de drenaje. Vea la sección de <i>Mantenimiento y limpieza</i>.</li> </ul>
<p><b>La lavadora se llena con agua lentamente o no se llena de todo, o la pantalla muestra:</b></p> <div style="border: 1px solid black; padding: 5px; margin-top: 10px;"> <p><b>IE ERROR</b> NO WATER SUPPLY. CHECK TAP &amp; HOSE. (LGUS)1-800-243-0000 (LGCANADA)1-888-542-2623</p> </div>	<ul style="list-style-type: none"> <li>Las llaves de agua no están completamente abiertas.</li> <li>Las mangueras de la tubería de agua están curvadas, apretadas o dobladas.</li> <li>Los filtros de la entrada de agua están taponados.</li> <li>La presión de agua hacia la llave u hogar es muy baja.</li> </ul>	<ul style="list-style-type: none"> <li>Asegúrese de que las llaves de agua están abiertas completamente.</li> <li>Asegúrese de que las mangueras de agua no están agarradas o curvadas. Tenga cuidado al transportar la lavadora.</li> <li>Limpie los filtros de entrada. Vea la sección de <i>Mantenimiento y limpieza</i>.</li> <li>Revise otra llave en el hogar para asegurar que la presión de agua del hogar es adecuada.</li> </ul>
<p><b>La lavadora no se enciende</b></p>	<ul style="list-style-type: none"> <li>El cable eléctrico no está enchufado adecuadamente.</li> <li>El fusible del hogar está quemado, el cortacircuitos se ha accionado, o ha ocurrido una interrupción eléctrica.</li> </ul>	<ul style="list-style-type: none"> <li>Asegúrese de que el enchufe está conectado de manera segura a un tomacorriente de 3 patas, con conexión a tierra de 120 V AC, 60 Hz.</li> <li>Reactive el disyuntor o cambie el fusible. No aumente la capacidad del fusible. Si el problema se debe a una sobrecarga de circuito, pida a un electricista calificado que solucione el problema.</li> </ul>
<p><b>Si la lavadora no centrifuga, o el mensaje indica:</b></p> <div style="border: 1px solid black; padding: 5px; margin-top: 10px;"> <p><b>dE ERROR</b> THE DOOR IS OPEN. PLEASE CLOSE THE DOOR COMPLETELY. (LGUS)1-800-243-0000 (LGCANADA)1-888-542-2623</p> </div>	<ul style="list-style-type: none"> <li>La compuerta no está cerrada adecuadamente.</li> </ul>	<ul style="list-style-type: none"> <li>Asegúrese de que la compuerta está adecuadamente cerrada y apriete el botón INICIO/PAUSA. Después de iniciar un ciclo, puede demorar algunos momentos antes que el tambor empiece a girar o centrifugar. La lavadora no centrifuga a menos que la compuerta esté cerrada (el mensaje DOOR LOCK [puert cerrar] aparecerá en la pantalla).</li> <li>Si la compuerta está cerrada y asegurada y se muestra el mensaje de error de compuerta abierta, llame a mantenimiento.</li> </ul>







# RESOLUCIÓN DE PROBLEMAS

## ANTES DE LLAMAR A MANTENIMIENTO (cont.)

Problema	Causas posibles	Soluciones
<b>La compuerta no se abre cuando se ha detenido o pausado el ciclo</b>	<ul style="list-style-type: none"> <li>• La temperatura interior de la lavadora es demasiado elevada.</li> <li>• El nivel del agua en la lavadora es demasiado alto.</li> </ul>	<ul style="list-style-type: none"> <li>• La compuerta de la lavadora dispone de un seguro para prevenir quemaduras. Deje que la lavadora se enfríe hasta que el indicador del DOOR LOCK (seguro de la compuerta) se apague en la pantalla.</li> <li>• Deje que la lavadora complete el ciclo programado, o seleccione el ciclo Drain &amp; Spin (drenar &amp; centrifugar) (ver la página 23 para más detalles) para drenar el agua.</li> </ul>
<b>El tiempo de ciclo de lavado toma más tiempo de lo normal</b>	<ul style="list-style-type: none"> <li>• La lavadora programa automáticamente el tiempo de lavado según la cantidad de prendas de lavado, presión del agua, temperatura del agua y otras condiciones de funcionamiento.</li> </ul>	<ul style="list-style-type: none"> <li>• Esto es normal. La lavadora programa automáticamente el ciclo de tiempo para brindar resultados óptimos para el ciclo seleccionado.</li> </ul>
<b>Olor a humedad o moho en la lavadora</b>	<ul style="list-style-type: none"> <li>• Se ha utilizado demasiado detergente o el detergente incorrecto.</li> <li>• El interior del lavadero no se ha limpiado adecuadamente.</li> </ul>	<ul style="list-style-type: none"> <li>• Utilice detergente de alta eficiencia HE (High-Efficiency) únicamente, según las instrucciones del fabricante.</li> <li>• Active el ciclo TUB CLEAN+ (LIMPIEZA DE CONDUCTO+) de manera regular. Asegúrese de limpiar alrededor y debajo del sello de la compuerta con frecuencia.</li> </ul>
<b>El vapor no es visible durante el ciclo de STEAM (vapor)</b>	<ul style="list-style-type: none"> <li>• Esto es normal.</li> </ul>	<ul style="list-style-type: none"> <li>• Debido a que requiere vapor presurizado, la lavadora requiere volúmenes muy pequeños de vapor para lograr resultados óptimos. El exceso de vapor podría dañar las telas y reducir eficiencia.</li> </ul>
<b>Prendas arrugadas</b>	<ul style="list-style-type: none"> <li>• No ha descargado la lavadora con rapidez.</li> <li>• Ha sobrecargado la lavadora.</li> <li>• Las mangueras de entrada de agua caliente y fría están invertidas</li> </ul>	<ul style="list-style-type: none"> <li>• Siempre remueva artículos de la lavadora tan pronto termine el ciclo.</li> <li>• Se puede cargar la lavadora completamente, pero el tambor no puede quedar colmado de prendas. La compuerta de la lavadora deberá cerrar con facilidad.</li> <li>• El ciclo de enjuague con agua caliente puede aumentar las arrugas. Verifique la conexión de las mangueras.</li> </ul>
<b>La luz del tambor no permanece encendida</b>	<ul style="list-style-type: none"> <li>• Esto es normal.</li> </ul>	<ul style="list-style-type: none"> <li>• La luz del tambor se apaga automáticamente cuando se inicia la lavadora. Apriete y mantenga apretado el botón RINSE+SPIN (enjuague+centrifugado) por 3 segundos para encender la luz; se apagará automáticamente después de 4 minutos.</li> </ul>
<b>El monitor de remoto de lavado (accesorio opcional) no está funcionando correctamente</b>	<ul style="list-style-type: none"> <li>• Consulte el manual de instrucciones del Monitor remoto de lavado.</li> </ul>	<ul style="list-style-type: none"> <li>• Consulte el manual de instrucciones del Monitor remoto de lavandería.</li> </ul>

# RESOLUCIÓN DE PROBLEMAS

## ANTES DE LLAMAR A MANTENIMIENTO (cont.)

Problema	Causas posibles	Soluciones
<p><b>La pantalla muestra:</b></p> <div style="border: 1px solid black; padding: 5px; margin-top: 10px;"> <p> <b>UE ERROR</b> LOAD IS OUT OF BALANCE. REARRANGE WASH LOAD. (LGUS)1-800-243- 0000 (LGCANADA)1-888-542-2623</p> </div>	<ul style="list-style-type: none"> <li>• La carga es demasiado pequeña.</li> <li>• La carga está desbalanceada.</li> <li>• La lavadora cuenta con un sistema de detección y corrección de desbalances. Si se cargan artículos pesados individuales (alfombra de baño, bata de baño, etc.) y hay demasiado desbalance, la lavadora realizará algunos intentos para reiniciar el ciclo de centrifugado. Si aún se detecta desbalance, la lavadora se detendrá y se mostrará el código de error.</li> </ul>	<ul style="list-style-type: none"> <li>• Añada 1 ó 2 prendas similares para ayudar a balancear la carga.</li> <li>• Vuelva a acomodar las prendas para ayudar a balancear la carga.</li> </ul>
<p><b>La pantalla muestra:</b></p> <div style="border: 1px solid black; padding: 5px; margin-top: 10px;"> <p> <b>tE ERROR</b> SEE OWNER'S MANUAL. (LGUS)1-800-243- 0000 (LGCANADA)1-888-542-2623</p> </div>	<ul style="list-style-type: none"> <li>• Error de control.</li> </ul>	<ul style="list-style-type: none"> <li>• Desconecte la lavadora y llame a mantenimiento.</li> </ul>
<p><b>La pantalla muestra:</b></p> <div style="border: 1px solid black; padding: 5px; margin-top: 10px;"> <p> <b>FE ERROR</b> SEE OWNER'S MANUAL. (LGUS)1-800-243- 0000 (LGCANADA)1-888-542-2623</p> </div>	<ul style="list-style-type: none"> <li>• El nivel del agua es demasiado alto debido a una válvula de agua con falla.</li> </ul>	<ul style="list-style-type: none"> <li>• Cierre las llaves de agua, desconecte la lavadora, y llame a mantenimiento.</li> </ul>
<p><b>La pantalla muestra:</b></p> <div style="border: 1px solid black; padding: 5px; margin-top: 10px;"> <p> <b>PE ERROR</b> SEE OWNER'S MANUAL. (LGUS)1-800-243- 0000 (LGCANADA)1-888-542-2623</p> </div>	<ul style="list-style-type: none"> <li>• El sensor de nivel del agua no está funcionando correctamente.</li> </ul>	<ul style="list-style-type: none"> <li>• Cierre las llaves de agua, desconecte la lavadora, y llame a mantenimiento.</li> </ul>
<p><b>La pantalla muestra:</b></p> <div style="border: 1px solid black; padding: 5px; margin-top: 10px;"> <p> <b>LE ERROR</b> SEE OWNER'S MANUAL. (LGUS)1-800-243- 0000 (LGCANADA)1-888-542-2623</p> </div>	<ul style="list-style-type: none"> <li>• El circuito de protección termal de carga en el motor se ha activado.</li> </ul>	<ul style="list-style-type: none"> <li>• Deje la lavadora en espera por 30 minutos para permitir que se enfríe el motor; luego reinicie el ciclo. Si aparece el código de error LE, desenchufe la lavadora y llame a mantenimiento.</li> </ul>
<p><b>La pantalla muestra:</b></p> <div style="border: 1px solid black; padding: 5px; margin-top: 10px;"> <p> <b>PF ERROR</b> THE WASHER EXPERIENCED A POWER FAILURE. RESTART THE CYCLE. (LGUS)1-800-243- 0000 (LGCANADA)1-888-542-2623</p> </div>	<ul style="list-style-type: none"> <li>• Ha ocurrido un corte de corriente.</li> </ul>	<ul style="list-style-type: none"> <li>• Reinicie el ciclo.</li> </ul>

# ESPECIFICACIONES/ACCESORIOS OPCIONALES

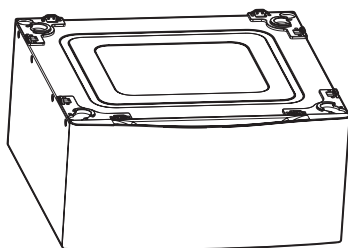
## DIMENSIONES Y ESPECIFICACIONES CLAVE

El aspecto y las especificaciones enumeradas en esta guía podrían variar debido a mejoras constantes del producto.

<b>Steam Washer™ Modelo LSWF3885HVS</b>	
<b>Descripción</b>	Lavadora de carga frontal
<b>Requisitos eléctricos</b>	120 V CA a 60 Hz.
<b>Presión de agua máx.</b>	14,5~116 libras por pulgada cuadrada (100~800 kPa)
<b>Dimensiones</b>	68,6 cm (anchura) X 75,6 cm (prof.) X 98,3 cm (altura), 129,7 cm (profundidad con la compuerta abierta) 27" (anchura) X 29 <sup>3</sup> / <sub>4</sub> " (prof.) X 38 <sup>11</sup> / <sub>16</sub> " (altura), 51" (profundidad con la compuerta abierta)
<b>Peso neto</b>	97 kg (213,8 libras)
<b>Velocidad de centrifugado máx.</b>	1.400 r.p.m.

## ACCESORIOS OPCIONALES

Para estos y otros productos LG, llame a su distribuidor LG local, o visite nuestro sitio Web en [us.lge.com](http://us.lge.com), [ca.lge.com](http://ca.lge.com).



### ***Pedestal***

Incremente el desempeño de su lavadora LG con los pedestales de 35,5 centímetros (14 pulgadas) de alto correspondientes. Proveen un cajón de almacenamiento para brindar mayor comodidad.

<b>Pedestal 14"</b>	<b>Color</b>
WDP4V	Acero Grafito
WDP4W	Blanco



### ***Kit de apilado***

Si no se dispone de espacio, utilice este kit para apilar de manera segura su lavadora de carga frontal y secadora LG.

<b>Kit de abrazadera</b>	<b>Color</b>
SSTK1	Titanio
WSTK1	Blanco

**LG ELECTRONICS, INC.  
GARANTÍA LIMITADA DE LA LAVADORA LG – EE. UU.**



Su máquina lavadora LG será reparada o reemplazada, a discreción de LG, si se comprueba que existe un defecto en el material o la mano de obra bajo condiciones de uso normales, durante el período de garantía (“Período de garantía”) establecido más abajo, vigente desde la fecha (“Fecha de compra”) de la compra del cliente original de producto. Esta garantía es válida únicamente para el comprador original del producto y cuando se usa en EE. UU., incluyendo Alaska, Hawaii, y los territorios de los EE. UU., exclusivamente.

<p><b>PERÍODO DE GARANTÍA:</b>  <b>MANO DE OBRA:</b> Dos año desde la Fecha de compra.  <b>PIEZAS (excepto como se indica más abajo):</b> Dos año desde la Fecha de compra.  <b>Motor del tambor (estator, rotor, sensor de Hall) : Diez años</b> desde la Fecha de compra.  <b>Tambor de acero inoxidable: Para toda la vida.</b></p> <p>Las unidades de reemplazo y piezas de reparación podrían ser nuevas o refabricadas.</p> <p>Las unidades de reemplazo o piezas de reparación están garantizadas por la porción restante del período de garantía de la unidad original.</p>	<p><b>CÓMO SE ADMINISTRA EL MANTENIMIENTO:</b>  <b>Mantenimiento en el hogar “In-Home”:</b>          Guarde la factura fechada del distribuidor o la boleta de entrega como evidencia de la Fecha de compra como prueba para la garantía, y entregue una copia de la factura al técnico de mantenimiento al momento que se presta el mantenimiento.  <b>Llame al 1-800-243-0000 y escoja la opción adecuada para ubicar a su Centro de Mantenimiento Autorizado LG más cercano.</b>          O visite nuestro sitio Web en: <a href="http://www.lgservice.com">http://www.lgservice.com</a>.</p>
---	--

**ESTA GARANTÍA REEMPLAZA CUALQUIER OTRA, EXPRESA O IMPLÍCITA, INCLUYENDO SIN LIMITACIÓN, CUALQUIER GARANTÍA DE COMERCIALIZACIÓN O ADECUACIÓN PARA UN PROPÓSITO DETERMINADO. EN LA MEDIDA REQUERIDA POR LA LEY, CUALQUIER GARANTÍA IMPLÍCITA SE LIMITA EN SU VIGENCIA AL PERÍODO DE GARANTÍA EXPRESA INDICADO MÁS ARRIBA. NI EL FABRICANTE NI EL DISTRIBUIDOR DE LOS EE. UU. SERÁN RESPONSABLES POR DAÑOS INCIDENTALES, RESULTANTES, INDIRECTOS, ESPECIALES O PUNITIVOS DE CUALQUIER NATURALEZA INCLUYENDO SIN LIMITACIÓN, PÉRDIDA DE GANANCIAS O INGRESOS, O CUALQUIER OTRA CLASE DE DAÑOS, CONTRACTUALES, EXTRA CONTRACTUALES O DE CUALQUIER TIPO.** Algunos estados no permiten la exclusión o limitación de daños incidentales o resultantes o limitación en la duración de una garantía implícita, de modo que la exclusión o limitación indicada anteriormente podría no aplicar en su caso. Esta garantía le brinda derechos legales específicos y podría también tener otros derechos que varían según el estado.

**ESTA GARANTÍA LIMITADA NO APLICA A:**

- Viajes de mantenimiento desde su hogar para entrega, recepción y/o instalación del producto, instrucción o reemplazo de fusibles del hogar o cableado adecuado o corrección de reparaciones no autorizadas.
- Los daños o problemas operativos que resulten de la negligencia en el uso, el abuso, el funcionamiento fuera de las especificaciones medioambientales o inconsistentes con los requisitos de precauciones establecidos en la Guía de funcionamiento, accidente, insectos, incendio, inundación, instalación inadecuada, casos de fuerza mayor, modificación o alteración no autorizada, corriente o voltaje incorrectos, o uso comercial, o uso diferente al indicado.

El costo de reparación o reemplazo bajo estas circunstancias excluidas será responsabilidad del cliente.

**NÚMEROS DE CENTROS INTERACTIVOS DE CLIENTE**

<p><b>Para obtener Asistencia para el cliente, información del producto o mantenimiento o distribuidor autorizado:</b></p>	<p><b>Llame al 1-800-243-0000</b> (24 horas al día, 365 días al año), y seleccione la opción adecuada a partir del menú.  <b>O visite nuestro sitio Web en: <a href="http://www.lgservice.com">http://www.lgservice.com</a>.</b></p>
--	--

**PARA CONTACTAR A LG ELECTRONICS POR CORREO:**

LG Customer Interactive Center  
P. O. Box 240007  
201 James Record Road  
Huntsville, Alabama 35824  
ATTN: CIC

**Información de registro del producto**

**Modelo:**

**Número de serie:**

**Fecha de compra:**

Se puede encontrar el número de serie y el modelo en la placa de clasificación en la parte posterior de la lavadora.



**LG**

Life's Good

# MANUEL D'UTILISATION MACHINE À LAVER

Avant d'utiliser votre machine à laver (laveuse), lisez attentivement ce manuel d'utilisation et conservez-le pour vous y référer ultérieurement.

LSWF3885HVS

# INTRODUCTION

## INSTRUCTIONS IMPORTANTES DE SÉCURITÉ

Précautions de sécurité de base.....	4
Instructions de mise à la terre .....	4
Précautions de sécurité pour l'installation .....	5
Précautions de sécurité pour l'utilisation, l'entretien et le nettoyage, et la mise au rebut .....	6

## PIÈCES ET CARACTÉRISTIQUES

Caractéristiques spéciales .....	7
Composantes et pièces principales .....	8

## INSTRUCTIONS D'INSTALLATION

Choisir le bon emplacement .....	9
Dégagements .....	9
Revêtement de sol .....	10
Installations avec piédestal ou trousse d'empilage en option.....	10
Déballage et retrait des boulons d'expédition.....	11
Raccordement des conduites d'eau .....	12
Raccordement du tuyau de vidange .....	13
Mise à niveau de la machine à laver .....	14
Installation des patins antidérapants (en option)..	14

## MODE D'EMPLOI

Caractéristiques du panneau de commande.....	15
Utilisation de la machine à laver .....	16
Guide de cycle .....	17
Triage des brassées .....	18
Sélection du détergent .....	19
À propos du distributeur .....	19
Chargement du distributeur .....	20
Afficheur ACL couleur .....	21
Cycles de vapeur.....	22
Cycles de lessive rapide.....	22
Les cycles COLDWASH <sup>MC</sup> .....	23
Boutons de configuration de cycle .....	23
Boutons de fonctions spéciales .....	24
Programme personnalisé .....	25
Fonctions secondaires .....	25
Les boutons d'option .....	26
Cycles d'entretien spécial .....	26

## ENTRETIEN ET NETTOYAGE

Nettoyage Ordinaire .....	27
Nettoyage de la machine à laver.....	28
Entretien .....	29

## DÉPANNAGE

Sons normaux que vous pourriez entendre .....	31
Avant d'appeler le service .....	31

## SPÉCIFICATIONS/ACCESSOIRES EN OPTION

Spécifications et dimensions principales.....	34
Accessoires en option.....	34

## GARANTIE .....

## MERCI!

Félicitations pour votre achat et

bienvenue dans la famille LG.

Votre nouvelle machine à laver

LG Steam Washer<sup>MC</sup> associe la tech-

nologie de lavage la plus avancée

à un fonctionnement simple et une

efficacité supérieure.

Si vous respectez les instructions

d'utilisation et d'entretien dans ce

manual, votre machine à laver vous

assurera de nombreuses années de

service fiable.

### **Information relative à l'enregistrement du produit**

**Modèle :**

**Numéro de série :**

**Date d'achat :**

Le modèle et le numéro de série se trouvent sur la plaque signalétique à l'avant de l'appareil.

Agrafez votre reçu ici pour votre commodité dans le cas où vous en auriez besoin pour la couverture de garantie.

# INSTRUCTIONS IMPORTANTES DE SÉCURITÉ

## LISEZ TOUTES LES DIRECTIVES AVANT D'UTILISER L'APPAREIL

**⚠️ AVERTISSEMENT** Pour votre sécurité, vous devez suivre l'information contenue dans ce manuel afin de réduire les risques d'incendie et d'explosion, de choc électrique ainsi que pour éviter les dommages matériels, les blessures corporelles ou un décès.

### Votre sécurité et la sécurité des autres sont très importantes.

Ce manuel contient de nombreux messages relatifs à la sécurité et à votre appareil.

Lisez toujours et suivez toujours toutes les instructions relatives à votre sécurité.



C'est le symbole d'alerte à la sécurité.

Ce symbole vous alerte des dangers potentiels qui peuvent vous tuer ou vous blesser ou tuer ou blesser d'autres personnes. Tous les messages relatifs à la sécurité suivent le symbole d'alerte à la sécurité et le mot DANGER ou AVERTISSEMENT.

Ces mots signifient :

**⚠️ DANGER :** Vous pouvez être tué ou grièvement blessé si vous ne suivez pas immédiatement les instructions.

**⚠️ AVERTISSEMENT :** Vous pouvez être tué ou grièvement blessé si vous ne suivez pas les instructions.

Tous les messages relatifs à la sécurité vous diront la nature du danger potentiel, comment réduire le risque de blessure et ce qui peut se produire si vous ne suivez pas les instructions.

# INSTRUCTIONS IMPORTANTES DE SÉCURITÉ

## LISEZ TOUTES LES DIRECTIVES AVANT D'UTILISER L'APPAREIL

**⚠AVERTISSEMENT** Pour votre sécurité, vous devez suivre l'information contenue dans ce manuel afin de réduire les risques d'incendie et d'explosion, de choc électrique ainsi que pour éviter les dommages matériels, les blessures corporelles ou un décès.

### PRÉCAUTIONS DE SÉCURITÉ DE BASE

**⚠AVERTISSEMENT :** Pour réduire les risques d'incendie, de choc électrique, ou des blessures corporelles en utilisant cet électroménager, vous devez toujours suivre les précautions de base, y compris ce qui suit.

- Avant de l'utiliser, la machine à laver doit être installée correctement conformément aux directives données dans ce manuel.
- Ne lavez aucun article qui aurait précédemment été nettoyé, lavé ou trempé dans de l'essence, des solvants pour nettoyage à sec ou toute autre substance inflammable ou explosive non plus que tout article qui présenterait des taches de ces substances car les vapeurs qui s'en dégagent pourraient s'enflammer ou exploser.
- N'ajoutez aucune essence, solvants pour nettoyage à sec ou autres substances inflammables ou explosives à l'eau de lavage. Ces substances pourraient dégager des vapeurs qui risquent de s'enflammer ou d'exploser.
- Dans certaines conditions, une certaine quantité d'hydrogène peut être produite par un système à eau chaude qui n'a pas été utilisé pendant 2 semaines ou plus. L'HYDROGÈNE EST UN GAZ EXPLOSIF. Si le système à eau chaude n'a pas été utilisé pendant une telle période, avant de faire fonctionner la machine à laver, faites couler tous les robinets d'eau chaude pendant plusieurs minutes. Cette technique libérera tout hydrogène accumulé. Comme ce gaz est inflammable, ne fumez pas et n'utilisez aucune flamme nue pendant ce temps.
- Ne laissez pas les enfants jouer dans la machine à laver ou sur celle-ci. Vous devez les superviser de près lorsque vous utilisez la machine à laver à proximité.
- Avant de mettre la machine hors service ou au rebut, retirez-en la porte pour empêcher les enfants d'y pénétrer.
- N'installez pas et n'entreposez pas la machine à laver dans un endroit où elle serait exposée aux intempéries ou au gel.
- Ne modifiez pas les commandes.
- Ne réparez pas et ne remplacez aucune des pièces de la machine à laver à l'exception de ce qui est décrit dans ce manuel. De plus, n'effectuez que l'entretien décrit. Nous vous recommandons fortement de faire effectuer toute réparation par un technicien qualifié.
- Consultez les directives d'installation pour les exigences de mise à la terre.
- Suivez TOUJOURS les directives d'entretien des tissus fournies par le fabricant du vêtement.
- Ne placez pas les articles exposés à de l'huile de cuisson dans votre machine à laver. Des vêtements contaminés aux huiles de cuisson peuvent entraîner une réaction chimique qui pourrait faire enflammer une brassée.
- Utilisez les assouplissants ou produits pour éliminer l'électricité statique uniquement tel que recommandé par le fabricant.
- Cette machine à laver n'est pas conçue pour une utilisation maritime ou pour les installations mobiles comme dans un véhicule récréatif, un avion, etc.
- Fermez les robinets si la machine à laver doit être laissée pendant une période étendue, comme durant vos vacances.
- N'utilisez pas la machine pour sécher des articles qui comportent du caoutchouc mousse ou tout autre matière similaire à du caoutchouc.
- Les matériaux d'emballage peuvent être dangereux pour les enfants. Ils présentent un risque de suffocation! Conservez tous les matériaux d'emballage hors de portée des enfants.
- Vérifiez toujours l'intérieur de la machine à laver pour y repérer tout corps étranger avant de charger une brassée de lessive. Gardez la porte fermée lorsque vous ne l'utilisez pas.
- Ne tentez d'atteindre l'intérieur de l'appareil si la cuve ou l'agitateur est en mouvement.

### INSTRUCTIONS DE MISE À LA TERRE

Cet appareil doit être raccordé à la terre. Dans l'éventualité d'un dysfonctionnement ou d'une panne, la mise à la terre réduira le risque de choc électrique en fournissant au courant électrique un chemin de moindre résistance. Cet appareil est équipé d'un cordon, muni d'un conducteur de mise à la terre et d'une fiche de mise à la terre. La fiche doit être branchée dans une prise appropriée, elle-même correctement installée et raccordée à la terre, conformément à toutes les normes et réglementations locales.

**⚠AVERTISSEMENT :** Un raccordement incorrect du conducteur de mise à la terre de l'appareil peut entraîner un risque de choc électrique. Consultez un électricien ou un technicien qualifié si vous avez un doute sur la mise à la terre correcte de l'appareil. Ne modifiez pas la fiche fournie avec l'appareil. Dans le cas où elle ne serait pas adaptée à la prise, faites installer une prise correcte par un électricien qualifié. Le non-respect de ces instructions peut provoquer des blessures graves, un incendie, un choc électrique ou la mort.

# INSTRUCTIONS IMPORTANTES DE SÉCURITÉ

## LISEZ TOUTES LES DIRECTIVES AVANT D'UTILISER L'APPAREIL

**⚠️ AVERTISSEMENT** Pour votre sécurité, vous devez suivre l'information contenue dans ce manuel afin de réduire les risques d'incendie et d'explosion, de choc électrique ainsi que pour éviter les dommages matériels, les blessures corporelles ou un décès.

## PRÉCAUTIONS DE SÉCURITÉ POUR L'INSTALLATION

**⚠️ AVERTISSEMENT :** Pour réduire les risques d'incendie, de choc électrique, ou des blessures corporelles en utilisant cet électroménager, vous devez toujours suivre les précautions de base, y compris ce qui suit.

- **Consultez les INSTRUCTIONS D'INSTALLATION pour y trouver des procédures détaillées de mise à la terre.** Les instructions d'installation sont emballées dans la machine à laver à titre de référence pour l'installateur. Si vous déménagez la machine à laver dans un nouvel emplacement, faites-la vérifier et réinstaller par un technicien qualifié de service. Tout non-respect de cet avertissement peut entraîner des blessures graves, un incendie, une électrocution ou la mort.
- **Ne coupez en aucune circonstance, ou n'enlevez jamais la troisième broche (la broche de mise à la terre) du cordon d'alimentation.** Tout non-respect de cet avertissement peut entraîner des blessures graves, un incendie, une électrocution ou la mort.
- **Pour votre sécurité personnelle, cette machine à laver doit être bien mise à la terre.** Tout non-respect de cet avertissement peut entraîner des blessures graves, un incendie, une électrocution ou la mort.
- **Le cordon d'alimentation de cet appareil est équipé d'une fiche à trois broches (mise à la terre) qui va dans une prise à trois trous (mise à la terre) normal,** afin de minimiser la possibilité d'électrocution.
- **Vous devez brancher cette machine à laver dans une prise mise à la terre de 120 VCA, 60 Hz.** Tout non-respect de cet avertissement peut entraîner des blessures graves, un incendie, une électrocution ou la mort.
- **Faites vérifier par un électricien qualifié la prise murale et le circuit pour vous assurer que la prise est bien mise à la terre.** Tout non-respect de cet avertissement peut entraîner des blessures graves, un incendie, une électrocution ou la mort.
- **Si vous avez une prise normale à deux trous, vous êtes personnellement responsable et obligé de la faire remplacer par une prise murale à trois trous bien mise à la terre.** Tout non-respect de cet avertissement peut entraîner des blessures graves, un incendie, une électrocution ou la mort.
- **N'installez jamais sur un tapis. Installez la machine à laver sur un plancher solide.** Tout non-respect de cet avertissement peut entraîner des dommages sérieux dus à des fuites.
- **N'enlevez jamais la broche de mise à la terre. N'utilisez jamais un adaptateur ou une rallonge. Branchez dans une prise à trois trous mise à la terre.** Tout non-respect de cet avertissement peut entraîner des blessures graves, un incendie, une électrocution ou la mort.
- **Vous devez toujours brancher la machine à laver dans sa propre prise électrique. Celle-ci doit avoir une notation de voltage qui correspond à celle de la plaque de signalisation de la machine à laver.** Cela permet un meilleur rendement, tout en empêchant une surcharge des circuits de câblage de la maison, qui pourrait entraîner un danger d'incendie à la suite d'une surchauffe des fils.
- **Ne débranchez jamais votre machine à laver en tirant sur le cordon d'alimentation.** Saisissez toujours fermement la fiche et faites-la sortir de la prise en la tirant droit. Tout non-respect de cet avertissement peut entraîner des blessures graves, un incendie, une électrocution ou la mort.
- **Réparez ou remplacez immédiatement tout cordon d'alimentation usé ou endommagé. N'utilisez jamais un cordon d'alimentation usé ou craqué sur sa longueur ou à l'une de ses extrémités.** Tout non-respect de cet avertissement peut entraîner des blessures graves, un incendie, une électrocution ou la mort.
- **Quand vous installez ou bougez votre machine à laver, faites bien attention de ne pas pincer, écraser ou endommager le cordon d'alimentation.** Tout non-respect de cet avertissement peut entraîner des blessures graves, un incendie, une électrocution ou la mort.
- **Vous devez faire installer la machine à laver et la faire mettre à la terre par un technicien qualifié, conformément aux codes locaux.** Cela empêchera le danger d'électrocution et assurera la stabilité du fonctionnement.
- **La machine à laver est lourde. Vous avez peut-être besoin de deux personnes, ou plus, pour installer et bouger cet appareil.** Tout non-respect de cet avertissement peut entraîner des blessures du dos ou d'autres blessures.
- **Rangez et installez votre machine à laver dans un endroit où elle ne sera pas exposée à des températures inférieures à 0 degré ou à des conditions climatiques extérieures.** Tout non-respect de cet avertissement peut entraîner des dommages sérieux dus à des fuites.
- **Pour réduire le risque d'électrocution, n'installez jamais votre machine à laver dans un emplacement humide.** Tout non-respect de cet avertissement peut entraîner des blessures graves, un incendie, une électrocution ou la mort.
- **Pour réduire le risque de blessure, observez toutes les procédures de sécurité recommandées par l'industrie, y compris l'utilisation de gants à manches longues et de lunettes de sécurité.** Le défaut de respecter toutes les consignes de sécurité de ce manuel peut causer des dommages, des blessures ou la mort.

# INSTRUCTIONS IMPORTANTES DE SÉCURITÉ

## LISEZ TOUTES LES DIRECTIVES AVANT D'UTILISER L'APPAREIL

**⚠️ AVERTISSEMENT** Pour votre sécurité, vous devez suivre l'information contenue dans ce manuel afin de réduire les risques d'incendie et d'explosion, de choc électrique ainsi que pour éviter les dommages matériels, les blessures corporelles ou un décès.

## PRÉCAUTIONS DE SÉCURITÉ POUR L'UTILISATION, L'ENTRETIEN ET LE NETTOYAGE, ET LA MISE AU REBUT

**⚠️ AVERTISSEMENT :** Pour réduire les risques d'incendie, de choc électrique, ou des blessures corporelles en utilisant cet électroménager, vous devez toujours suivre les précautions de base, y compris ce qui suit.

- **Débranchez votre machine à laver avant de la nettoyer** pour éviter le risque d'électrocution.
- **N'utilisez jamais de produits chimiques puissants, de nettoyeurs abrasifs ou de dissolvants pour nettoyer votre machine à laver.** Ils endommageront sa surface.
- **Ne mettez jamais de chiffons ou de vêtements huileux ou gras en haut de la machine à laver.** Ces substances dégagent des vapeurs qui peuvent mettre feu aux tissus.
- **Ne lavez pas d'articles qui ont été salis par de l'huile végétale ou de l'huile de cuisson.** Ces articles peuvent conserver un peu d'huile après le lavage. À cause de cette huile qui reste dans le tissu, le tissu peut se mettre à fumer ou peut prendre feu par lui-même.
- **Débranchez cet appareil de sa prise d'alimentation avant de tenter de l'entretenir. Vous ne débranchez pas cet appareil de son alimentation électrique en tournant les commandes en position OFF (arrêt).** Tout non-respect de cet avertissement peut entraîner des blessures graves, un incendie, une électrocution ou la mort.
- **Ne mélangez jamais des produits de lavage pour la même charge, à moins que cela soit spécifié sur leur étiquette.**
- **Ne mélangez jamais d'eau de Javel chlorée avec de l'ammoniaque ou des acides, comme le vinaigre. Suivez les instructions des paquets pour utiliser des produits de lavage.** Un mauvais usage peut produire des gaz toxiques qui peuvent entraîner des blessures graves ou la mort.
- **Ne mettez jamais votre main dans la machine à laver quand des pièces sont en mouvement. Avant de charger, de décharger ou d'ajouter des articles, appuyez sur le bouton START/PAUSE (démarrer/pause) et laissez le tambour s'arrêter complètement avant d'y mettre votre main.** Tout non-respect de cet avertissement peut entraîner des blessures graves, un incendie, une électrocution ou la mort.
- **Ne permettez jamais à des enfants de jouer dans la machine à laver, ou sur la machine à laver. Vous devez surveiller étroitement les enfants pour utiliser la machine à laver près d'enfants. Quand les enfants grandissent, apprenez-leur comment bien utiliser, en toute sécurité, tous les appareils électroménagers.** Tout non-respect de cet avertissement peut entraîner des blessures graves.
- **Détruisez la boîte en carton, le sac en plastique et tous les autres matériaux d'emballage après avoir déballé la machine à laver. Des enfants peuvent les utiliser pour jouer. Les boîtes en carton recouvertes de tapis, de garnitures de lit ou de pellicules en plastique peuvent devenir des chambres hermétiquement closes.** Tout non-respect de cet avertissement peut entraîner des blessures graves.
- **Rangez les produits de lavage hors de la portée des enfants. Pour éviter des blessures, observez tous les avertissements figurant sur les étiquettes de produits.** Tout non-respect de cet avertissement peut entraîner des blessures graves.
- **Avant de jeter votre machine à laver, ou de la mettre hors service, enlevez la porte du compartiment de lavage pour éviter que des enfants ou de petits animaux soient accidentellement enfermés.** Tout non-respect de cet avertissement peut entraîner des blessures graves ou la mort.

**CONSERVEZ CES DIRECTIVES**

# PIÈCES ET CARACTÉRISTIQUES

## CARACTÉRISTIQUES SPÉCIALES

### **A** TIROIR À DISTRIBUTEUR DE DÉTERGENT

Ce tiroir à quatre compartiments offre quatre distributeurs distincts pour le détergent du pré-lavage et lavage principal, le javellisant et l'assouplissant.

### **B** ÉCRAN ACL COULEUR DU PANNEAU DE COMMANDE

Les commandes électroniques simples sont conviviales. L'écran ACL couleur illustre les options et l'information sur le cycle et affiche les messages d'état durant le fonctionnement.

### **C** PORTE VERROUILLABLE À ACCÈS FACILE

La porte ultra large se verrouille durant le fonctionnement et un délai d'ouverture empêche la porte d'être ouverte jusqu'à ce que l'intérieur soit refroidi et que le niveau de l'eau ait diminué.

### **D** CYCLES DE VAPEUR HAUTE EFFICACITÉ

Durant les cycles de vapeur à haute efficacité de LG, la buse à vapeur injecte de la vapeur brûlante dans les tissus pour éliminer les taches tenaces en douceur.

### **E** ROLLERJETS

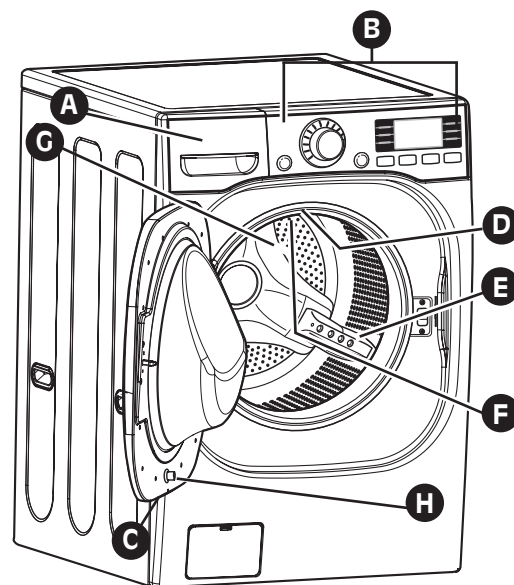
Le système ROLLERJETS améliore la performance de lavage tout en réduisant l'usure des tissus. Les jets intégrés vaporisent les vêtements pour améliorer l'efficacité de lavage.

### **F** LUMIÈRE INTÉRIEURE DU TAMBOUR

La lumière du tambour éclaire l'intérieur de la machine à laver pour une meilleure visibilité lors du chargement et du déchargement. Les ampoules DEL à durée de vie ultra longue ne devraient jamais avoir besoin d'être remplacées.

### **G** MOTEUR INVERSEUR À ENTRAÎNEMENT DIRECT

Le moteur inverseur à entraînement direct élimine la courroie et les poulies qu'on retrouve dans la plupart des machines à laver, améliorant ainsi la performance et la fiabilité tout en augmentant l'efficacité énergétique.



### **H** PISTON DE PORTE MAGNÉTIQUE

Fixez correctement la porte légèrement entrebâillée à l'aide d'un piston de porte magnétique. Ceci va permettre à l'air de circuler et de sécher l'intérieur de la machine. Pour utiliser cette fonction, après avoir retiré le linge, ne fermez pas la porte complètement. Lorsque le piston de porte magnétique entre en contact avec la carrosserie métallique de la laveuse, il maintient la porte légèrement ouverte pour permettre le séchage de l'intérieur de la laveuse (lave-linge).



Protocole P172  
Performance en matière d'assainissement  
des laveuses résidentielles et commerciales  
de grande taille

# PIÈCES ET CARACTÉRISTIQUES

## COMPOSANTES ET PIÈCES PRINCIPALES

En plus des composantes et caractéristiques spéciales détaillées dans la section **Caractéristiques spéciales**, ce manuel fait référence à de nombreuses autres composantes importantes.

### **A** TAMBOUR D'ACIER INOXYDABLE À CAPACITÉ ULTRA

Le tambour d'acier inoxydable ultra grand offre une extrême durabilité et il est incliné pour améliorer l'efficacité et permettre un accès plus facile aux gros articles.

### **B** BUSES À CIRCULATION D'EAU ET À VAPEUR

Les buses à circulation d'eau vaporisent la solution eau/détergent directement sur les vêtements pour une performance super nettoyante. Durant les cycles de VAPEUR à haute efficacité de LG, la buse à vapeur injecte de la vapeur chaude dans les tissus pour éliminer les taches tenaces en douceur.

### **C** PIEDS DE NIVELLEMENT

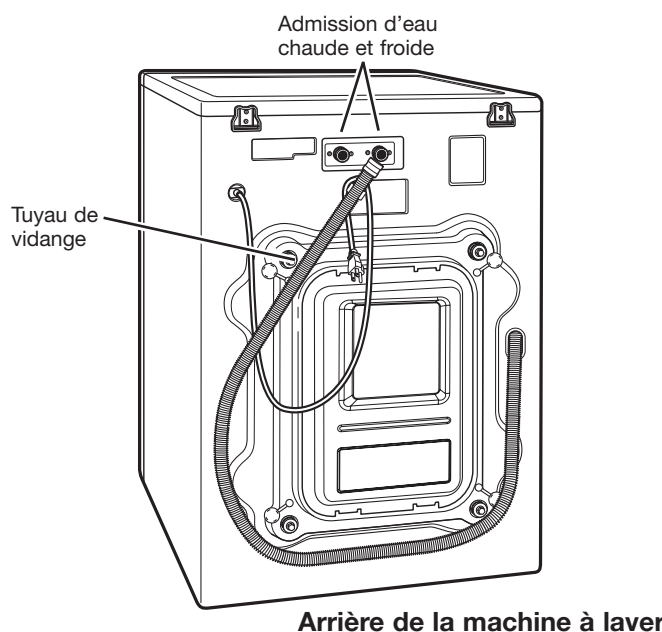
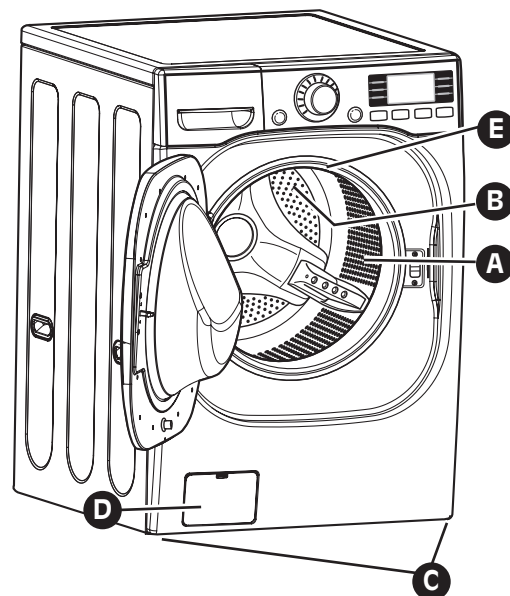
Quatre pieds de nivellement (deux à l'avant et deux à l'arrière) sont réglables pour améliorer la stabilité de la machine à laver sur un plancher inégal.

### **D** PANNEAU D'ACCÈS À LA VIDANGE

Offre un accès au tuyau de vidange et au filtre de la pompe de vidange.

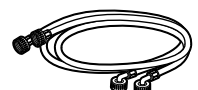
### **E** BUSE D'AUTO-NETTOYAGE

L'ajutage de nettoyage de la porte vaporise l'eau sur la porte pour enlever des bulles et tache. Elle commence à nettoyer la porte durant le processus de rinçage.

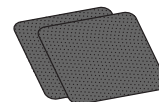


Arrière de la machine à laver

### Accessoires compris



Tuyaux d'eau chaude et froide



Patins antidérapants



Capuchons (4) (pour couvrir les trous des boulons d'expédition)



Clé (pour retirer les boulons d'expédition et ajuster les pieds de nivellement)



Courroie de fixation (pour fixer le tuyau de vidange)



Support à coude (pour fixer le tuyau de vidange)

# INSTRUCTIONS D'INSTALLATION

## CHOISIR LE BON EMPLACEMENT

### ⚠ AVERTISSEMENT

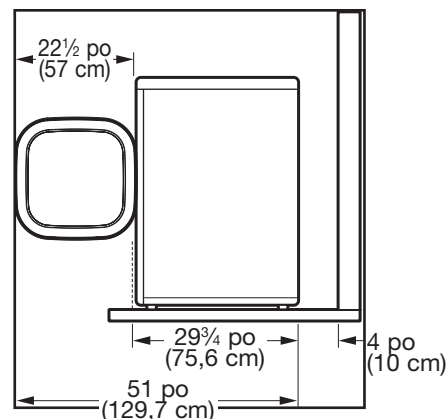
- **La machine à laver est lourde! Deux personnes ou plus sont nécessaires lorsque vous déballez et déplacez la machine à laver.** Tout non-respect de ces instructions peut entraîner des blessures du dos ou d'autres blessures.
- **Entreposez et installez la machine à laver à un endroit où elle ne sera pas exposée à des températures sous le point de congélation ou exposée aux intempéries.** Tout non-respect de cet avertissement peut entraîner des blessures graves, un incendie, une électrocution ou la mort.
- **Vous devez bien mettre à la terre cet appareil, pour votre sécurité personnelle. Une machine à laver bien mise à la terre se conformera à tous les codes et les ordonnances en vigueur.** Tout non-respect de cet avertissement peut entraîner des blessures graves, un incendie, une électrocution ou la mort.
- **Pour réduire le risque de choc électrique, n'installez pas la machine à laver dans un espace humide.** Tout non-respect de cet avertissement peut entraîner des blessures graves, un incendie, une électrocution ou la mort.
- L'ouverture de la base ne doit pas être obstruée par une moquette si la machine à laver est installée sur un plancher recouvert de tapis.
- **N'enlevez jamais la broche de mise à la terre. N'utilisez jamais un adaptateur ou une rallonge. Branchez dans une prise à trois trous mise à la terre.** Tout non-respect de cet avertissement peut entraîner des blessures graves, un incendie, une électrocution ou la mort.

### Prise de courant

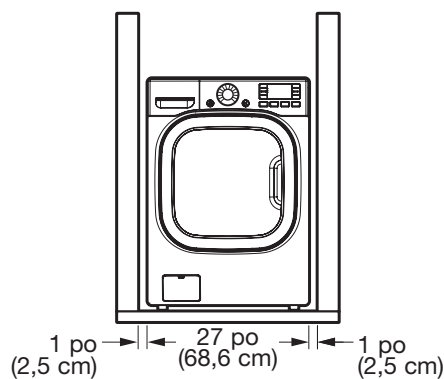
- La prise de courant doit se trouver à moins de 60 po (1,5 m) d'un côté ou de l'autre de la machine à laver.
- L'appareil et la prise doivent être placés de façon à ce que la fiche soit facilement accessible.
- Ne surchargez pas la prise murale avec plus d'un électroménager.
- La prise doit être mise à la terre conformément aux codes et règlements de câblage actuels.
- Un fusible à action différée ou un disjoncteur est recommandé.

**REMARQUE :** Il est de la responsabilité personnelle et de l'obligation du propriétaire de faire installer une prise adéquate par un électricien qualifié.

## DÉGAGEMENTS



Pour assurer un dégagement suffisant pour les conduites d'eau et de débit d'air, laissez des dégagements minimum d'au moins 1 po (2,5 cm) sur les côtés et de 4 po (10 cm) derrière l'appareil. Assurez-vous de calculer suffisamment d'espace pour les moulures murales, de portes ou de plancher qui peuvent augmenter les dégagements requis.



Laissez au moins 24 po (61,2 cm) à l'avant de la machine à laver pour l'ouverture de la porte.

# INSTRUCTIONS D'INSTALLATION

## REVÊTEMENT DE SOL

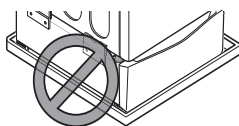
- Pour minimiser le bruit et la vibration, la machine à laver DOIT être installée sur un plancher solide. Consultez la NOTE à droite.
- La pente permise sous la machine à laver dans son entier est d'un maximum de 1°.
- Les revêtements de tapis et de tuiles souples ne sont pas recommandés.
- N'installez jamais la machine à laver sur une plateforme ou sur une structure faiblement supportée. Utilisez uniquement un piédestal accessoire approuvé tel que décrit ci-dessous.

**REMARQUE :** Prenez note que le plancher doit être suffisamment rigide et solide pour supporter le poids de la machine à laver lorsqu'elle est pleinement chargée, sans plier ni rebondir. Si votre plancher est trop flexible, vous devrez peut-être le renforcer pour le rendre plus rigide. Un plancher qui convient à une machine à laver à chargement par le haut pourrait ne pas être suffisamment rigide pour une machine à laver à chargement par le devant, à cause de la différence de vitesse et de direction du cycle d'essorage. Si le plancher n'est pas solide, votre machine à laver pourrait vibrer et vous pourriez entendre et ressentir cette vibration à travers toute votre maison.

**REMARQUE :** Avant d'installer la machine à laver, assurez-vous que le plancher est propre, sec et exempt de poussière, saleté, eau et huiles afin que les pieds de l'appareil ne glissent pas facilement. Les pieds de nivellement qui peuvent se déplacer ou glisser sur le plancher peuvent entraîner des vibrations et du bruit excessifs en raison du mauvais contact avec le plancher.



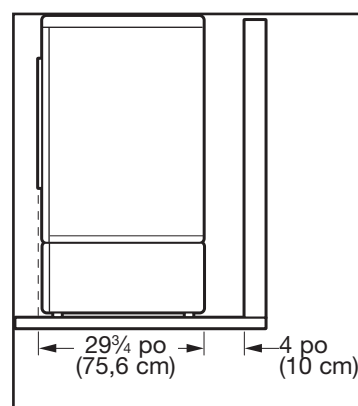
**REMARQUE :** Si un plateau d'égouttement doit être utilisé, prenez le soin de suivre les instructions fournies avec le plateau d'égouttement et assurez-vous que les pieds de nivellement sont réglés de manière à ce qu'ils soient en contact ferme et uniforme avec le plateau. L'utilisation de plateaux d'égouttement et tout manquement à bien mettre à niveau la machine pourraient faire augmenter les vibrations et le bruit durant l'utilisation.



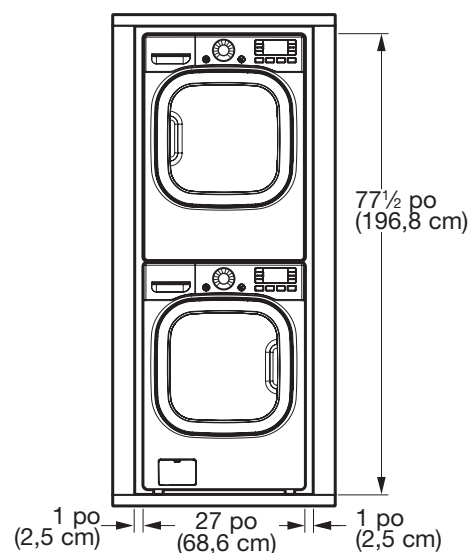
## INSTALLATIONS AVEC PIÉDESTAL OU TROUSSE D'EMPILAGE EN OPTION

**IMPORTANT :** Si vous installez la machine à laver avec le piédestal ou la trousse d'empilage en option, consultez la section *Accessoires en option* dans ce manuel ou la section des directives relatives à votre piédestal ou à votre trousse d'empilage avant de procéder à l'installation.

### Dimensions requises pour installation avec piédestal



### Dimensions requises pour installation avec trousse d'empilage



# INSTRUCTIONS D'INSTALLATION

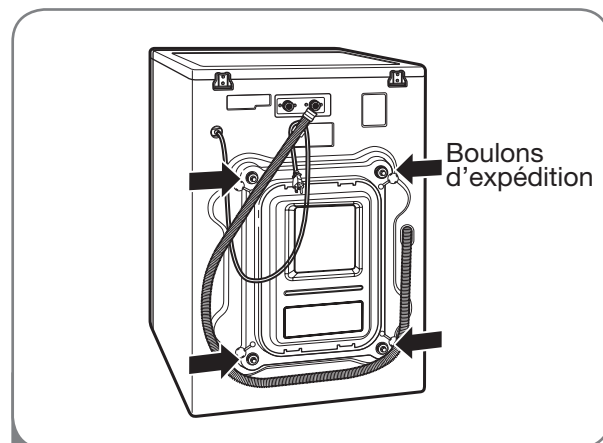
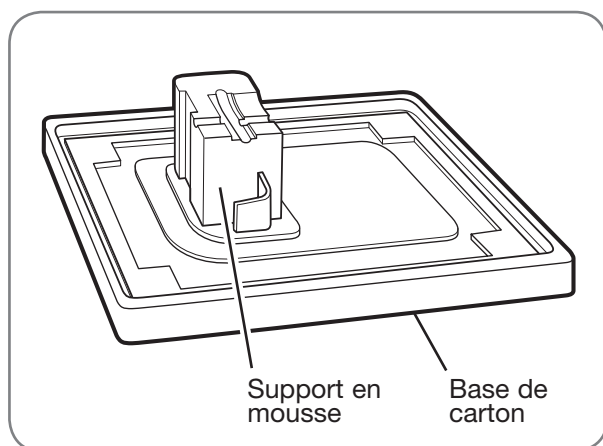
## DÉBALLAGE ET RETRAIT DES BOULONS D'EXPÉDITION

Lorsque vous retirerez la machine à laver de sa boîte, assurez-vous de retirer le support de mousse du milieu de la base de carton.

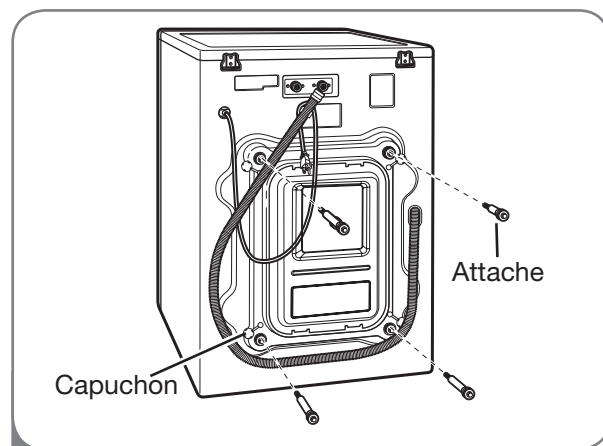
Si vous devez déposer la machine à laver sur le sol pour enlever les matériaux d'emballage de la base, déposez-la toujours soigneusement sur le côté. Ne déposez PAS la machine à laver sur l'arrière ni sur l'avant.

**IMPORTANT :** Pour prévenir les dommages internes durant le transport, la machine à laver est dotée de 4 boulons d'expédition et d'attaches en plastique. Ces boulons et attaches **DOIVENT** être retirés avant l'utilisation de la machine à laver.

- Ne pas vous y conformer pourrait causer de graves vibrations et du bruit, ce qui pourrait entraîner des dommages permanents à la machine à laver. Le cordon est fixé à l'arrière de la machine à laver à l'aide d'un boulon d'expédition pour aider à prévenir l'utilisation de la machine alors que les boulons sont encore en place.



- 1 En commençant par les 2 boulons d'expédition du bas, utilisez la clé comprise pour retirer les 4 boulons d'expédition en les tournant dans le sens antihoraire.



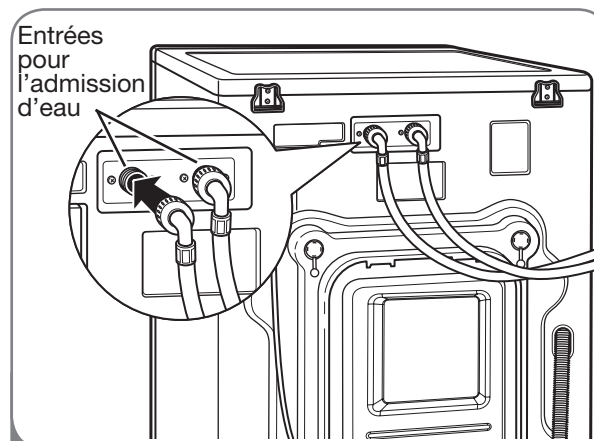
- 2 Retirez les attaches en les faisant légèrement pivoter tout en tirant. Faites pivoter et enfoncez les capuchons dans les trous des boulons d'expédition.

**REMARQUE :** Conservez les boulons et les attaches pour utilisation ultérieure. Pour prévenir les dommages aux composants internes, les boulons d'expédition et les attaches doivent être installés lors du transport de la machine à laver.

# INSTRUCTIONS D'INSTALLATION

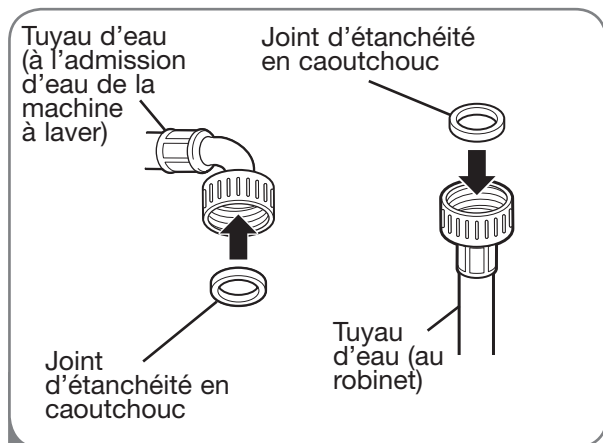
## RACCORDEMENT DES CONDUITES D'EAU

- **IMPORTANT** : Utilisez des tuyaux neufs lors de l'installation de la machine à laver. Ne réutilisez PAS d'anciens tuyaux.
- **IMPORTANT** : Utilisez SEULEMENT les tuyaux d'entrée fournis par LG avec cet appareil électroménager. Il n'est pas garanti que les tuyaux de rechange s'adaptent ou fonctionnent correctement. Les autres tuyaux pourraient ne pas bien se serrer et causer des fuites. Les dommages subséquents au produit ou à la propriété ne seront pas couverts conformément aux modalités de la garantie de LG.
- La plage de pression de l'alimentation d'eau doit être de 14,5 psi à 116 psi (100~800 kPa). Si la pression de l'alimentation d'eau est supérieure à 116 psi, une soupape réductrice de pression doit être installée.
- Vérifiez périodiquement le tuyau pour y déceler toutes fissures, fuites et traces d'usure et remplacez-le au besoin.
- Assurez-vous que les conduites d'eau ne sont pas étirées, pincées, écrasées ou tordues.
- La machine à laver ne doit jamais être installée et entreposée dans un endroit assujéti au gel. En effet, le gel risquerait d'endommager les conduites d'eau et les mécanismes internes de la machine à laver. Si la machine à laver a été exposée au gel avant son installation, laissez-la reposer à la température de la pièce pendant plusieurs heures avant de l'utiliser.

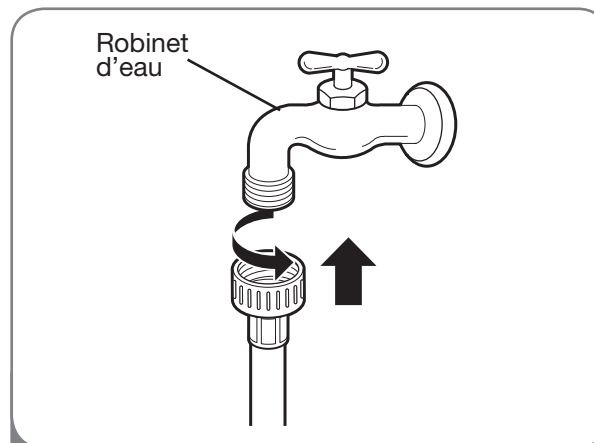


- 2 REMARQUE** : Ne faussez pas le filetage des raccords de tuyau.

Raccordez la conduite d'eau chaude à l'admission d'eau chaude (rouge) à l'arrière de la machine à laver. Raccordez la conduite d'eau froide à l'admission d'eau froide (bleue) à l'arrière de la machine à laver. Serrez solidement les raccords.



- 1** Insérez un joint d'étanchéité en caoutchouc dans les raccords filetés sur chaque tuyau.



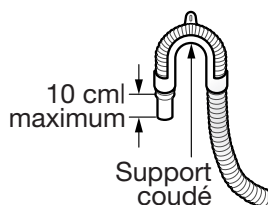
- 3** Raccordez l'admission d'eau chaude au robinet d'eau chaude. Raccordez l'admission d'eau froide au robinet d'eau froide. Serrez bien les raccords. Ouvrez les robinets d'eau pour vérifier s'il y a des fuites.

# INSTRUCTIONS D'INSTALLATION

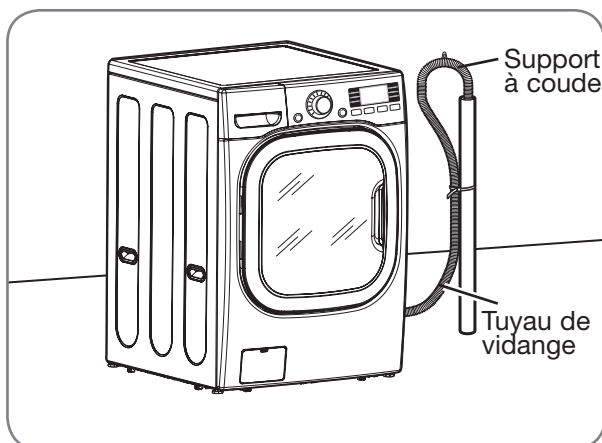
## RACCORDEMENT DU TUYAU DE VIDANGE

- Le tuyau de vidange doit toujours être solidement fixé. Dans le cas contraire, il pourrait en résulter une inondation et des dommages matériels.
- N'installez pas l'extrémité du tuyau de vidange à une hauteur supérieure à 96 po (244,8 cm) au-dessus du bas de la machine à laver.
- La vidange doit être installée en conformité avec tous les codes et règlements locaux applicables.
- Assurez-vous que les conduites d'eau ne sont pas étirées, pincées, écrasées ou tordues.

**REMARQUE :** Si le tuyau de vidange dépasse de plus de 5 cm l'extrémité du support coudé, de la moisissure ou des microorganismes peuvent se développer à l'intérieur de la machine à laver.



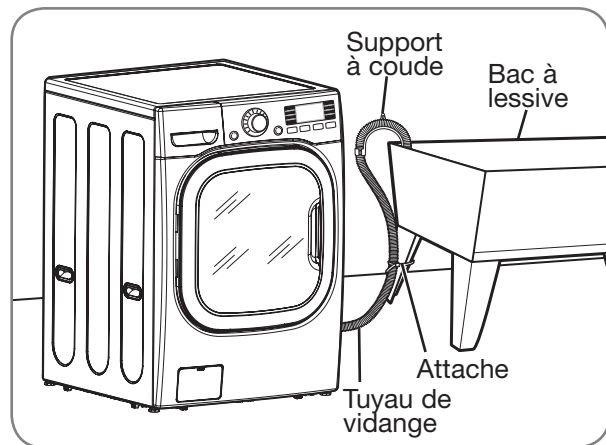
### Option 1 : Conduite verticale



Fixez l'extrémité du tuyau dans le support à coude. Insérez l'extrémité du tuyau de vidange dans la conduite verticale. Utilisez l'attache pour fixer le tuyau de vidange en place.

**REMARQUE :** La hauteur totale de l'extrémité du tuyau ne doit pas être supérieure à 96 po (244,8 cm) à partir du bas de la machine à laver.

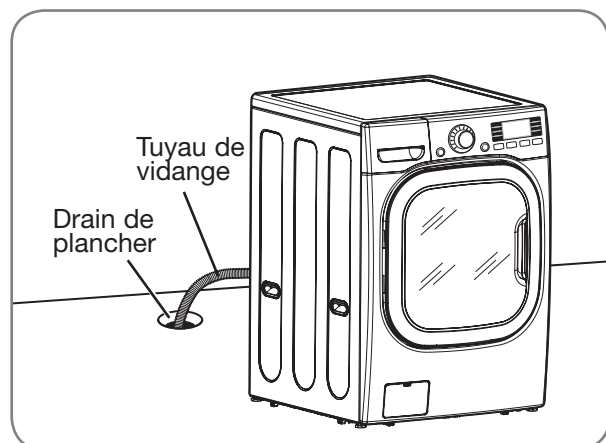
### Option 2 : Bac à lessive



Fixez l'extrémité du tuyau dans le support à coude. Suspendez l'extrémité du tuyau de vidange sur le côté bac à lessive. Utilisez l'attache pour fixer le tuyau de vidange en place.

**REMARQUE :** La hauteur totale de l'extrémité du tuyau ne doit pas être supérieure à 96 po (244,8 cm) à partir du bas de la machine à laver.

### Option 3 : Drain de plancher



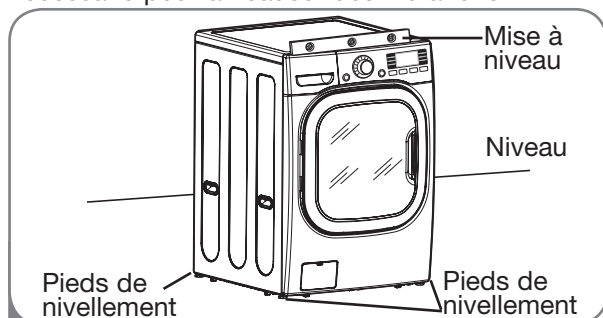
Insérez l'extrémité du tuyau de vidange dans le drain de plancher. Fixez la conduite de façon à empêcher qu'elle puisse bouger.

# INSTRUCTIONS D'INSTALLATION

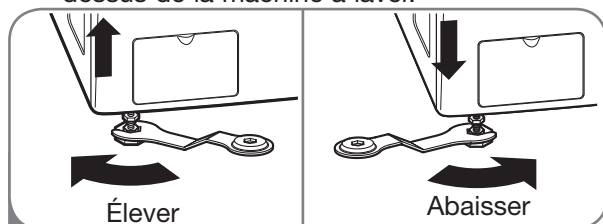
## MISE À NIVEAU DE LA MACHINE À LAVER

Le tambour de votre nouvelle machine à laver tourne à des vitesses très élevées pouvant atteindre 1 400 tours/min. Pour minimiser la vibration, le bruit et les mouvements indésirables, le plancher doit être une surface solide et parfaitement de niveau.

**REMARQUE :** Ajustez les pieds de nivellement seulement pour répondre aux besoins de mise à niveau de la machine. Les étendre plus qu'il est nécessaire pourrait causer des vibrations.



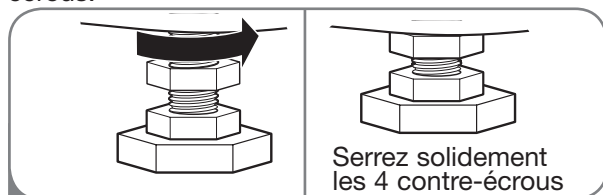
1 Placez la machine à laver dans l'endroit où elle demeurera, en faisant attention de ne pas pincer, étirer ou écraser les conduites d'eau et de vidange. Placez un niveau sur le dessus de la machine à laver.



2 Desserrez les contre-écrous des quatre pieds de nivellement jusqu'à ce que vous puissiez les tourner avec la clé fournie. Tournez dans le sens horaire pour élever la machine à laver ou dans le sens antihoraire pour l'abaisser.

• Les quatre pieds de nivellement doivent reposer solidement sur le plancher. Bougez délicatement la machine à laver d'un coin à l'autre pour vous assurer qu'elle ne se balance pas.

Si vous installez la machine à laver sur le piédestal en option, vous devez utiliser les pieds de nivellement du **piédestal** pour mettre la machine à laver au niveau. Les pieds de nivellement de la machine à laver doivent être entièrement rétractés et verrouillés en position à l'aide des contre-écrous.



3 Une fois la machine à laver de niveau d'un côté à l'autre et de l'avant à l'arrière, serrez bien tous les contre-écrous.

Assurez-vous que les pieds de nivellement sont en contact ferme avec le sol.

**REMARQUE :** Pour vous assurer que la machine à laver est proprement mise à niveau, faites-lui effectuer une brassée test :

placez environ 6 livres/2,7 kg de lessive dans la machine. Puis, appuyez sur POWER (mise en marche), appuyez sur RINSE+SPIN (rinçage et essorage) et finalement sur le bouton START/PAUSE (démarrer/pause). Consultez les sections suivantes pour des renseignements supplémentaires sur la sélection et le fonctionnement des cycles.

Assurez-vous que la machine à laver ne vibre pas et ne se balance pas trop durant l'essorage. Si c'est le cas, ajustez les pieds de nivellement jusqu'à ce qu'elle soit stable et faites le test de nouveau.

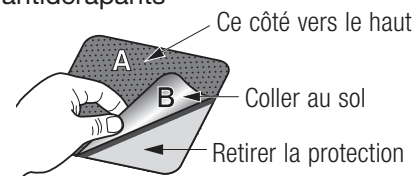
## INSTALLATION DES PATINS ANTIDÉRAPANTS (EN OPTION)

Certains revêtements de sol sont trop glissants pour empêcher la machine de bouger en cas de charge trop inéquilibrée.

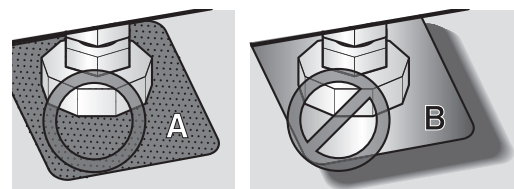
Bien qu'il soit normal qu'une charge soit occasionnellement inéquilibrée, cela peut favoriser les vibrations et le bruit, ainsi que le déplacement de la machine.

Dans ce cas, suivez les consignes ci-dessous pour l'installation des patins antidérapants. Ces patins empêcheront la machine de bouger en cas de charge inéquilibrée et réduiront les vibrations et le bruit.

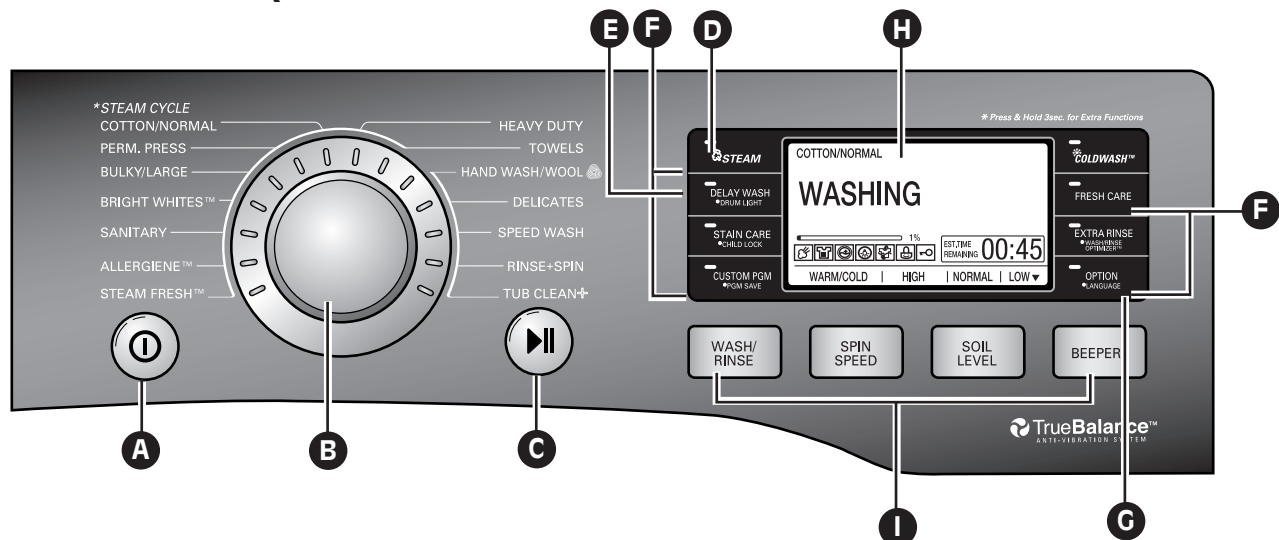
### • Patins antidérapants



※ Placer les patins sous chaque pied avant



## CARACTÉRISTIQUES DU PANNEAU DE COMMANDE

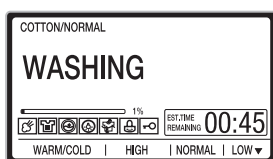
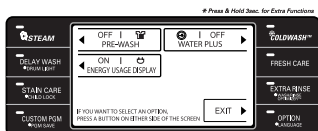
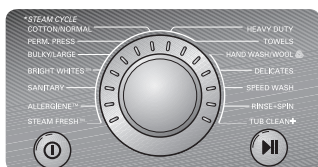
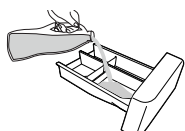


- A BOUTON DE MISE EN MARCHÉ/ARRÊT**  
Appuyez pour mettre en marche la machine à laver. Appuyez de nouveau pour arrêter la machine à laver.  
**REMARQUE :** Appuyer sur le bouton de MISE EN MARCHÉ/ARRÊT durant un cycle annulera ce cycle et tous les autres réglages de brassée seront perdus.
- B BOUTON SÉLECTEUR DE CYCLE**  
Tournez ce bouton pour sélectionner le cycle désiré. Une fois le cycle désiré sélectionné, les préréglages standard s'afficheront à l'afficheur. Ces paramètres peuvent être réglés à l'aide des boutons de configuration de cycle avant de démarrer le cycle.
- C BOUTON DÉMARRER/PAUSE**  
Appuyez sur ce bouton pour DÉMARRER le cycle sélectionné. Si la machine à laver est en fonction, utilisez ce bouton pour faire une PAUSE dans le cycle sans perdre les paramètres actuels.  
**REMARQUE :** Si vous n'appuyez pas sur le bouton DÉMARRER/PAUSE dans les 4 minutes de la sélection d'un cycle, la machine à laver s'éteint automatiquement.
- D BOUTON STEAM (VAPEUR)**  
Appuyez sur le bouton de VAPEUR afin d'ajouter la vapeur dans le cycle choisi pour ajouter un courant de nettoyage  
**REMARQUE :** La vapeur ne peut être ajoutée qu'aux cycles suivants : STEAMFRESH<sup>MC</sup>, SANITARY (hygiénique), BULKY/ LARGE (gros articles), PERM. PRESS (tissus infroissables), COTTON/ NORMAL (coton/normal), HEAVY DUTY (gros lavage), BRIGHT WHITES<sup>MC</sup>, TOWELS (serviettes) et ALLERGIENE<sup>MC</sup>.
- E BOUTON DELAY WASH (DÉLAI LESSIVE)**  
Appuyez sur ce bouton pour DELAY WASH (DÉLAI LESSIVE) le début du cycle de lavage. Chaque fois que vous appuyez sur ce bouton, le délai de démarrage augmente d'une heure, pour un maximum de 19 heures.
- F BOUTONS DE FONCTIONS SPÉCIALES**  
Ces boutons de fonctions spéciales vous permettent de sélectionner des fonctions supplémentaires et ils s'allument lors de leur sélection. Certains boutons vous permettent également d'activer des fonctions secondaires en appuyant et en tenant le bouton enfoncé pendant 3 secondes.  
Pour des renseignements détaillés sur les fonctions individuelles, consultez les pages suivantes.
- G BOUTON D'OPTIONS**  
Appuyez sur ce bouton pour sélectionner des options de cycle supplémentaires, par exemple : WATER PLUS (plus d'eau), PRE-WASH (prélavage) et ENERGY USAGE DISPLAY (AFFICHAGE D'USAGE D'ÉNERGIE). Appuyez le bouton à côté de l'option désirée pour le sélectionner. Le bouton s'allume lorsqu'on le sélectionne.
- H AFFICHEUR ACL COULEUR**  
L'afficheur montre les réglages, le temps restant estimé, les options et les messages d'état de votre Steam Washer<sup>MC</sup>. La lumière de l'afficheur restera allumée tout au long du cycle.
- I BOUTONS DE CONFIGURATION DE CYCLE**  
Utilisez ces boutons pour sélectionner les options de cycle désirées pour le cycle que vous avez choisi. Les options actuelles sont illustrées à l'afficheur. Appuyez sur le bouton correspondant à cette option pour voir et sélectionner d'autres réglages.

# MODE D'EMPLOI

## UTILISATION DE LA MACHINE À LAVER

**AVERTISSEMENT :** Pour réduire tout risque d'incendie, d'électrocution ou de blessures, lisez les INSTRUCTIONS IMPORTANTES DE SÉCURITÉ avant de mettre cet appareil en fonctionnement.



### 1 TRIER LE LINGE ET CHARGER LA MACHINE À LAVER

Les tissus différents ont des exigences de lavage différentes.

Pour plus de détails, consultez le Guide cycle, page 17. Pour obtenir de meilleurs résultats de lavage, trie les vêtements par charge afin de les laver dans le cadre d'un même cycle.

### 2 AJOUTER LA LESSIVE

Ouvrez le tiroir distributeur et ajoutez la lessive dans le compartiment de lavage principal. Si nécessaire, ajoutez de l'eau de Javel et de l'assouplissant.

### 3 MISE SOUS TENSION DE LA MACHINE À LAVER

Appuyez sur le bouton de MISE EN MARCHÉ/ARRÊT pour mettre la machine à laver en marche. Les témoins lumineux autour du bouton sélecteur de cycle s'allument.

### 4 SÉLECTIONNER UN CYCLE

Tournez le bouton sélecteur de cycle pour choisir le cycle souhaité. Les valeurs pré-réglées pour ce cycle s'affichent : température de lavage/rinçage, vitesse d'essorage, niveau de saleté et options.

### 5 SÉLECTIONNER LES PARAMÈTRES DU CYCLE

Si vous voulez changer les paramètres du cycle, appuyez sur le ou les boutons d'option pour afficher d'autres paramètres. Appuyez à nouveau sur le bouton pour faire défiler les paramètres jusqu'à celui que vous souhaitez sélectionner.

**REMARQUE :** Pour protéger vos vêtements, toutes les températures de lavage/rinçage, vitesses d'essorage, niveau de saleté ou options ne sont pas disponibles dans tous les cycles.

### 6 SÉLECTIONNER LES OPTIONS DE CYCLE

Pour sélectionner des options de cycle supplémentaires telles que STEAM (vapeur), DELAY WASH (DÉLAI LESSIVE) ou COLDWASH<sup>MC</sup> utilisez le bouton correspondant ou appuyez sur le bouton OPTION.

**REMARQUE :** Pour protéger vos vêtements, toutes les températures de lavage/rinçage, vitesses d'essorage, intensités de lavage ou options ne sont pas disponibles dans tous les cycles.

### 7 COMMENCER LE CYCLE

Appuyez sur le bouton START/PAUSE (démarrer/pause) pour commencer le cycle. À tout moment, pour mettre le cycle en pause, appuyez sur START/PAUSE (démarrer/pause).

**REMARQUE :** Si le niveau d'eau est trop haut, sélectionnez le cycle Drain & Spin (vidange et essorage) pour évacuer l'excès d'eau (voir page 23 pour plus d'informations). Ne forcez pas la porte pour l'ouvrir.

### 8 VÉRIFIER LA DURÉE DU CYCLE

La porte se verrouille, l'affichage change et la machine calcule le temps approximatif restant. Une fois que la machine a évalué la durée totale du cycle, la machine démarre.

**REMARQUE :** Il est possible de réduire notablement le temps de lavage pour les petites charges ou le linge peu sale en sélectionnant le cycle Speed Wash (lavage rapide) et en réglant le bouton Soil Level (niveau de saleté) sur Light (faible).

**REMARQUE :** La durée du cycle affichée pourrait sembler beaucoup plus longue que celle d'une machine à laver à chargement par le haut. La durée affichée est pour un cycle complet plutôt que pour juste la portion brassage du cycle, comme il est normalement le cas avec une machine à laver à chargement par le haut.

# MODE D'EMPLOI

## GUIDE DE CYCLE

Le guide de cycle ci-dessous montre les options et les types de tissus recommandés pour chaque cycle.

● = Option disponible

CYCLE	TYPE DE TISSU	TEM. LAVAGE/ RINÇAGE	ESSORAGE	SALETÉ	PRÉLAVAGE	RINÇAGE ADD.	DÉTACHAGE	PLUS D'EAU	VAPEUR	COLDWASH <sup>MC</sup>	WASH/RINSE OPTIMIZER <sup>MC</sup>
STEAM FRESH <sup>MC</sup>	Blouses, chemises								●		
SANITARY (SANITAIRE)	Sous-vêtements très sales/vêtements de travail/couches souillées	Extra ch/froid	Haut	Normal		●	●	●	●		●
			Extra haut Pas d'ess Faible Moyen	Forte Légère							
BULKY/ LARGE (VRAC/ GROS)	Morceaux de grandes dimensions, comme couvertures et douillettes	Tiède/froid	Faible	Normal		●	●	●	●	●	●
		Tiède/tiède Chaud/froid Froid/froid	Moyen Pas d'ess	Forte Légère							
PERM. PRESS (APPRÊT PERM.)	Chemises/pantalons, vêtements infroissables, vêtements en poly/coton, serviettes de table	Tiède/froid	Moyen	Normal		●	●	●	●	●	●
		Tiède/tiède Chaud/froid Froid/froid	Haut Pas d'ess Faible	Forte Légère							
COTTON/ NORMAL (COTON/ NORMAL)	Coton, lin, serviettes, chandails, draps, denim, brassées mixtes	Tiède/froid	Haut	Normal		●	●	●	●	●	●
		Chaud/froid Froid/froid	Extra haut Pas d'ess Faible Moyen	Forte Légère							
ALLERGIENE <sup>MC</sup>	Vêtements de bébé légèrement souillés		Haut								
			Extra haut Pas d'ess Faible Moyen			●		●			
HEAVY DUTY (GROSSE CHARGE)	Tissus en coton très sales	Tiède/froid	Extra haut	Forte							
		Tiède/tiède Chaud/froid Froid/froid	Pas d'ess Faible Moyen Haut	Légère Normal	●	●	●	●	●	●	●
TOWELS (SERVIETTES)	Serviettes	Tiède/froid	Extra haut	Normal		●	●				
		Tiède/tiède Chaud/froid Froid/froid	Pas d'ess Faible Moyen Haut	Forte Légère							
HAND WASH/ WOOL (LESS. MAIN/ LAINE)	Vêtements marqués du symbole « laver à la main »	Tiède/froid	Faible	Normal						●	
		Tiède/tiède Froid/froid	Pas d'ess	Légère							
DELICATES (DÉLICATS)	Chemises/blouses, de nylon, vêtements très fins, dentelle	Froid/froid	Moyen	Normal		●	●			●	
		Tiède/froid Tiède/tiède	Pas d'ess Faible	Forte Légère							
SPEED WASH (LESSIVE RAPIDE)	Vêtements légèrement souillés et petites brassées	Chaud/froid	Extra haut	Légère							
		Froid/froid Tiède/froid Tiède/tiède	Pas d'ess Faible Moyen Haut	Normal Forte		●				●	
RINSE + SPIN (RINÇAGE + ESSORAGE)	Rinçage et essorage	Froid/froid	Haut								
			Extra haut Pas d'ess Faible Moyen			●		●			
BRIGHT WHITES <sup>MC</sup>	Tissus blancs	Chaud/Froid	Haut	Normal							
		Froid/froid Tiède/froid Tiède/tiède	Extra haut Pas d'ess Faible Moyen	Forte Légère	●	●	●	●	●		
TUB CLEAN+ (MISE À NIVEAU)	Le cycle TUB CLEAN + (mise à niveau) est spécifiquement conçu pour éliminer moisissure dans la machine à laver.								●		

**REMARQUE :** Pour protéger vos vêtements, les différentes options de température de lavage/rinçage, vitesse d'essorage, niveau de saleté ou autres ne sont pas toutes disponibles avec chacun des cycles.

# MODE D'EMPLOI

## TRIAGE DES BRASSÉES

### Étiquettes d'entretien des tissus

La plupart des vêtements possèdent des étiquettes d'entretien des tissus qui affichent les directives pour un soin approprié.

**Étiquettes d'entretien des tissus**

**Cycle de lavage**

Normal    Tissus infroissables/  
résistant au froissement    Doux/  
délicat

Lavage à la main    Ne pas laver    NE pas essorer

**Température de l'eau**

●●● Chaude    ●● Tiède    ● Froide

**Symboles de javellisant**

▲ Tout javellisant (au besoin)    ▲ Javellisant sans chlore (au besoin)    ▲ Pas de javellisant

### Groupier les articles similaires

Pour de meilleurs résultats, triez les vêtements pour en faire des brassées qui peuvent être lavées au même cycle de lavage.

Différents types de tissu ont différentes exigences d'entretien.

Lavez toujours les couleurs foncées séparément des couleurs pâles et des blancs pour prévenir la décoloration. Si possible, ne lavez pas les articles très sales avec ceux qui le sont peu. Le tableau ci-dessous illustre les groupements recommandés.

### Trier la lessive...

par couleur	par saleté	par tissu	par tissu pelucheux
blancs	élevée	déliçats	producteur de peluche
légers	normale	entretien facile	collecteur de peluche
foncés	faible	robustes	

### Chargement de la machine à laver

- Vérifiez toutes les poches pour vous assurer qu'elles sont vides. Des articles comme des trombones, des allumettes, des stylos, de la monnaie et des clés peuvent endommager votre machine à laver et vos vêtements.
- Fermez les fermetures-éclair, les crochets et les cordons pour les empêcher de s'accrocher ou de s'emmêler aux autres vêtements.
- Pré-traitez les taches tenaces pour de meilleurs résultats.
- Combinez les articles grands et petits dans une brassée. Chargez d'abord les articles les plus grands.

- Les grands articles ne doivent pas composer plus de la moitié de la brassée totale.
- La machine à laver peut être entièrement chargée mais le tambour ne doit pas être bourré. La porte de la machine à laver doit pouvoir se fermer facilement.
- Pour prévenir tout déséquilibre de la brassée, ne lavez pas un article seul. Ajoutez un ou deux articles similaires à la brassée. Les articles gros et encombrants comme les couvertures, couettes ou dessus de lit doivent être lavés individuellement.
- Ne lavez pas et n'essorez pas les vêtements imperméables.
- Lorsque vous déchargez la machine à laver, vérifiez s'il y a de petits articles sous le joint de la porte.

**REMARQUE :** La machine à laver à chargement par l'avant fait tourner le linge pour le laver avec moins d'eau. Si vous ne voyez pas l'eau pendant le lavage, cela n'est pas un problème parce que le linge est suffisamment mouillé.



## SÉLECTION DU DÉTERGENT

**IMPORTANT :** Votre Steam Washer<sup>MC</sup> est conçu pour utilisation avec des détergents haute efficacité **uniquement**. Les détergents haute efficacité sont formulés spécifiquement pour les machines à laver à chargement par l'avant et contiennent des agents réducteurs de mousse. Recherchez toujours le symbole HE (haute efficacité) lorsque vous achetez le détergent.

Les détergents HE produisent moins de mousse, se dissolvent plus efficacement pour améliorer la performance de lavage et de rinçage et aident à garder l'intérieur de votre machine à laver propre.

L'utilisation d'un détergent ordinaire peut entraîner un excès de mousse et une performance insatisfaisante.

**IMPORTANT :** Ne placez pas et n'entreposez pas de produits de lessive, comme les détergents, les javellisants et les assouplissants liquides, sur le dessus de votre machine à laver ou de votre sècheuse. Essayez tout débordement sans tarder. Ces produits peuvent endommager les finis et les commandes.



Spécialement conçu pour utilisation avec un détergent haute efficacité uniquement

## À PROPOS DU DISTRIBUTEUR

Le distributeur automatique est constitué de quatre compartiments qui conservent :

- L'eau de Javel chlorée.
- L'assouplissant.
- Le détergent liquide ou en poudre destiné au pré-lavage.
- Le détergent liquide ou en poudre et le javellisant sûr pour les couleurs destinés au lavage principal.

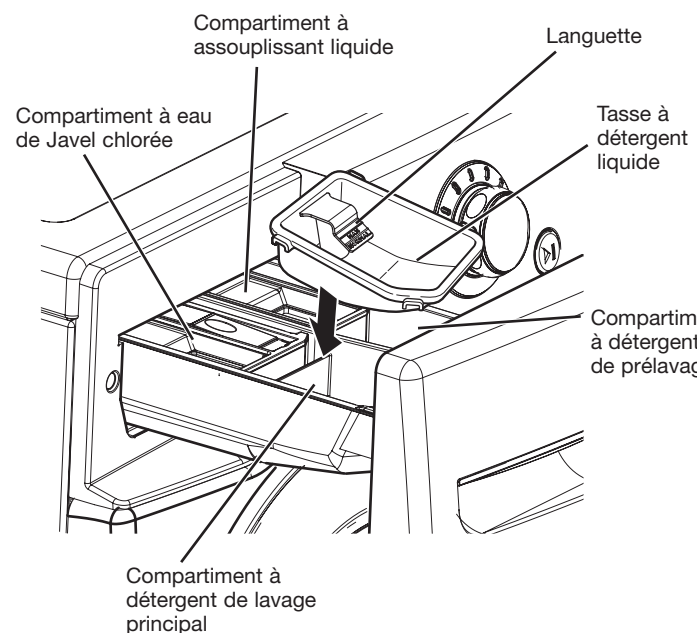
Tous les produits de lessive peuvent être ajoutés d'un seul coup dans leurs distributeurs respectifs. Ils seront distribués au moment approprié pour un nettoyage plus efficace.

Une fois les produits de nettoyage ajoutés au distributeur, refermez le tiroir du distributeur.

Pour ajouter du détergent, du javellisant et de l'assouplissant au distributeur automatique :

- 1 Ouvrez le tiroir du distributeur.
- 2 Chargez les produits de lessive dans les compartiments appropriés.
- 3 Refermez lentement le tiroir du distributeur pour éviter que les produits de lessive ne soient pas libérés de façon précoce

**REMARQUE :** Il est normal qu'une petite quantité d'eau demeure dans les distributeurs à la fin du cycle.



# MODE D'EMPLOI

## CHARGEMENT DU DISTRIBUTEUR

### *Compartiment à détergent de prélavage*

Ajoutez du détergent liquide ou en poudre à ce compartiment pour distribution automatique lorsque vous utilisez l'option de prélavage. Utilisez toujours du détergent haute efficacité avec votre machine à laver.

- La quantité de détergent ajoutée à l'option de prélavage est de la moitié de la quantité recommandée pour le cycle de lavage principal. Par exemple, si le cycle de lavage principal requiert une tasse de détergent, ajoutez 1/2 tasse pour l'option de prélavage.

**REMARQUE :** Si vous utilisez du détergent liquide pour le lavage principal lorsque vous utiliser l'option de prélavage, il FAUT utiliser la tasse à détergent liquide. Sinon, le détergent liquide pour le lavage principal peut être distribuer immédiatement.

### *Compartiment à détergent de lavage principal*

Ce compartiment contient le détergent à lessive pour le cycle de lavage principal, qui est ajouté à la brassée au début du cycle. Utilisez toujours du détergent haute efficacité avec votre machine à laver.

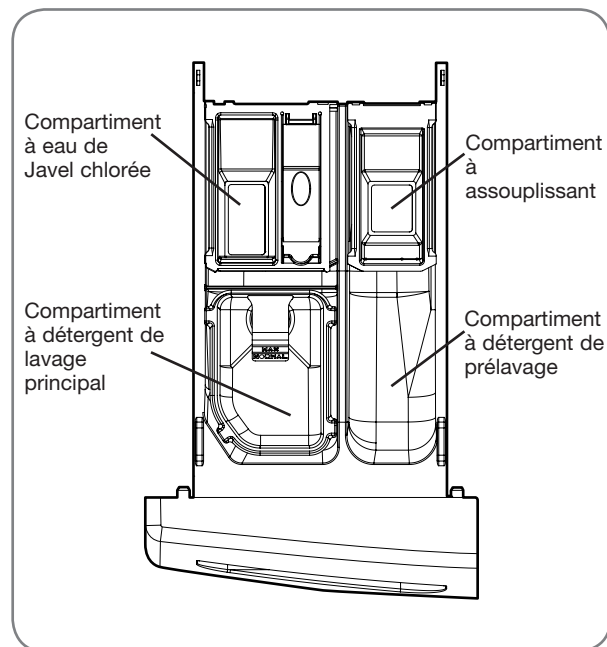
N'excédez jamais les recommandations du fabricant lorsque vous ajoutez le détergent. Utiliser trop de détergent peut causer une accumulation de détergent dans les vêtements et dans la machine à laver. Vous pouvez utiliser un détergent liquide ou en poudre.

- Lorsque vous utilisez du détergent liquide, assurez-vous que la tasse à détergent et la languette sont en place. Ne dépassez pas la ligne de remplissage maximum.
- Lorsque vous utilisez du détergent en poudre, retirez la languette et la tasse à détergent liquide du compartiment. Le détergent en poudre ne sera pas distribué si la tasse à détergent et la languette sont en place.

**REMARQUE :** Vous pouvez ajouter du javellisant liquide ou en poudre sûr pour les couleurs au compartiment du lavage principal avec un détergent de même type.



Spécialement conçu pour utilisation avec un détergent haute efficacité uniquement



### *Compartiment à javellisant liquide*

Ce compartiment contient l'eau de Javel chlorée, qui sera distribuée automatiquement au bon moment durant le cycle de lavage.

- N'ajoutez pas de javellisant en poudre ou liquide à ce compartiment.
- Conformez-vous toujours aux recommandations du fabricant lorsque vous ajoutez le javellisant. Ne dépassez pas la ligne de remplissage maximum. Trop de javellisant peut endommager les tissus.
- Ne versez jamais d'eau de Javel chlorée non diluée directement dans la brassée ou dans le tambour. Vous pourriez endommager les tissus.

### *Compartiment à assouplissant liquide*

Ce compartiment contient l'assouplissant liquide, qui sera automatiquement distribué durant le cycle du rinçage final.

- Conformez-vous toujours aux recommandations du fabricant lorsque vous ajoutez l'assouplissant. Ne dépassez pas la ligne de remplissage maximum. Trop d'assouplissant pourrait tacher les vêtements.
- Diluez les assouplissants concentrés à l'eau tiède. Ne dépassez pas la ligne de remplissage maximum.
- Ne versez jamais d'assouplissant directement dans la brassée ou dans le tambour.

## AFFICHEUR ACL COULEUR

L'afficheur ACL couleur montre les réglages, le temps restant estimé, les options et les messages d'état de votre machine à laver. Lorsque la machine à laver est en marche, l'afficheur s'illuminera.

### A AFFICHAGE D'ÉTAT/CYCLE

Cette portion de l'afficheur montre le cycle sélectionné, l'état de fonctionnement et les messages spéciaux. Si un cycle a des directives spéciales, elles s'afficheront également dans cette zone.

### B ESTIMATED TIME REMAINING (TEMPS RESTANT ESTIMÉ)

Lorsque le bouton DÉMARRER/PAUSE est enfoncé, la machine à laver détecte automatiquement la brassée (poids) et optimise le temps de lavage en se basant sur le cycle et les options sélectionnés. L'afficheur indique alors le temps restant estimé pour le cycle de lavage choisi.

**REMARQUE :** Le temps de cycle affiché peut apparaître beaucoup plus long que celui d'une machine à laver à chargement par le haut. Le temps affiché est relatif au cycle complet, plutôt qu'à la seule portion d'agitation du cycle, comme c'est le cas pour une machine à laver à chargement par le haut.

### C INDICATEUR DE CYCLE TERMINÉ

Illustre la portion du cycle de lavage actuellement complétée.

### D INDICATEUR DE TYPE DE CYCLE

Cet indicateur signifie que le cycle a été activé.

### E INDICATEUR STEAM (VAPEUR)

Cet indicateur signifie que l'option STEAM (vapeur) a été activée.

### F INDICATEUR PRE-WASH (PRÉ-LESSIVE)

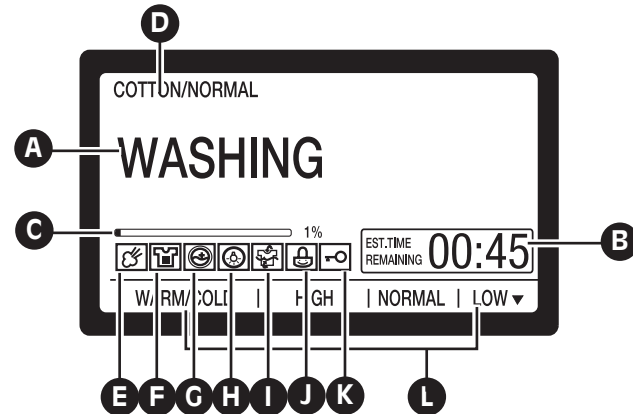
Cet indicateur signifie que l'option PRE-WASH (pré-lavage) a été activée.

### G INDICATEUR WATER PLUS (PLUS D'EAU)

Cet indicateur signifie que l'option WATER PLUS (ajout d'eau) a été activée.

### H INDICATEUR DRUM LIGHT (LUMIÈRE DU TAMBOUR)

Cet indicateur signifie que l'option DRUM LIGHT (lumière du tambour) a été activée.



### I INDICATEUR STEAM WASH/RINSE OPTIMIZER<sup>MC</sup>

Cet indicateur signifie que l'option WASH/RINSE OPTIMIZER<sup>MC</sup> a été activée.

### J INDICATEUR DE VERROUILLAGE (POUR ENFANTS)

Lorsque le verrouillage pour enfants est activé, l'indicateur de verrouillage pour enfants apparaîtra et tous les boutons seront désactivés à l'exception du bouton de MISE EN MARCHÉ/ARRÊT. Cela empêchera un enfant de modifier les réglages alors que la machine à laver est en fonction.

### K INDICATEUR DE VERROUILLAGE (DE LA PORTE)

Indique que la porte est verrouillée. La porte de la machine à laver se verrouillera automatiquement lorsqu'elle est en fonction. La porte peut être déverrouillée à l'aide du bouton DÉMARRER/PAUSE pour arrêter la machine.

**REMARQUE :** Si le niveau d'eau est trop élevé, sélectionnez le cycle Drain & Spin (vidange et essorage) pour évacuer l'excès d'eau (voir page 23 pour plus d'informations). Ne forcez pas la porte pour l'ouvrir.

### L INDICATEURS DE CONFIGURATION DE CYCLE

Ces indicateurs indiquent les paramètres de cycle actuels pour le WASH/RINSE (lavage/rinçage), SPIN SPEED (vitesse d'essorage), SOIL LEVEL (niveau de saleté) et BEEPER (alarme sonore). Pour modifier ces paramètres, appuyez sur le bouton de réglage approprié.

**REMARQUE :** Pour protéger vos vêtements, les différentes options de température de lavage/ rinçage, vitesse d'essorage, niveau de saleté ou autres ne sont pas toutes disponibles avec chacun des cycles.

# MODE D'EMPLOI

## CYCLES DE VAPEUR



Les cycles de VAPEUR comprennent les cycles suivants : STEAMFRESH<sup>MC</sup>, SANITARY (sanitaire), BULKY/LARGE (vrac/gros), PERM. PRESS (apprêt perm.), COTTON/NORMAL (Coton/normal), HEAVY DUTY (Grosse Charge), BRIGHT WHITES<sup>MC</sup>, TOWELS (serviettes) et ALLERGIENE<sup>MC</sup>. Ajouter l'option de vapeur à ces cycles vous fournira une performance de nettoyage supérieure tout en réduisant l'énergie et la consommation d'eau. Grâce à un jet de vapeur chaude provenant du haut et à de l'eau plus froide de dessous, les tissus obtiennent les bienfaits d'un lavage super chaud, sans la consommation énergétique ou les dommages potentiels aux tissus.

### **Pour ajouter la VAPEUR à un cycle standard :**

- 1 Mettez en marche la machine à laver et tournez le bouton sélecteur pour sélectionner un cycle avec l'option STEAM (vapeur).
- 2 Appuyez sur le bouton STEAM (vapeur). La machine à laver ajustera automatiquement les paramètres du cycle.
- 3 Réglez toute autre option désirée.
- 4 Appuyez sur le bouton DÉMARRER/PAUSE pour démarrer le cycle. La machine à laver démarrera automatiquement.

### **ATTENTION :**

**Ne touchez pas à la porte durant les cycles de vapeur. Sa surface peut devenir extrêmement chaude. Laissez la porte se déverrouiller avant de tenter de l'ouvrir.**

**N'essayez pas de contourner le mécanisme de verrouillage de la porte ou de prendre quelque chose dans la machine à laver durant un cycle de vapeur. La vapeur peut causer de graves brûlures.**

### **NOTES IMPORTANTES À PROPOS DES CYCLES DE VAPEUR :**

- La vapeur pourrait ne pas être clairement visible durant les cycles de vaporisation. C'est normal. Trop de vapeur pourrait endommager les vêtements.
- N'utilisez pas la vaporisation sur des tissus délicats comme la laine, la soie ou sur des tissus qui se décolorent facilement.
- Ne touchez pas la porte.

### **Utilisation du cycle SteamFresh<sup>MC</sup>**

SteamFresh utilise la puissance de la vapeur seule pour rapidement réduire les plis et les odeurs dans les tissus. Il donne une nouvelle vie aux vêtements froissés et entreposés pendant de longues périodes et rend les vêtements très froissés plus faciles à repasser. SteamFresh peut également être utilisé pour aider à réduire les odeurs dans les tissus.

### **Pour utiliser le cycle SteamFresh<sup>MC</sup> :**

- 1 Mettez en marche la machine à laver et tournez le bouton sélecteur de cycle au cycle SteamFresh.  
Chargez jusqu'à 5 articles et fermez la porte.
- 2 **REMARQUE :** S'il y a de l'humidité dans le tambour, par exemple provenant d'un cycle de lavage précédent, essuyez-le avec une serviette avant d'y placer les vêtements.
- 3 Appuyez sur le bouton STEAM (vapeur) jusqu'à ce que le nombre d'articles correct s'affiche. Il n'y a aucune autre option à programmer.
- 4 Appuyez sur le bouton DÉMARRER/PAUSE pour lancer le cycle.

Une fois le cycle SteamFresh<sup>MC</sup> complété, la machine à laver fera culbuter les vêtements pendant environ 30 minutes pour empêcher qu'ils ne se froissent.

Lorsque vous retirerez les vêtements du cycle SteamFresh<sup>MC</sup>, ils sembleront peut-être légèrement humides. Placez-les sur un cintre pendant au moins 10 minutes pour leur permettre de sécher.

- Le cycle SteamFresh<sup>MC</sup> n'est pas recommandé pour les vêtements 100 % coton.
- Supprimez les taches des vêtements avant d'utiliser le cycle SteamFresh<sup>MC</sup>; la chaleur élevée pourrait rendre les taches permanentes.
- N'utilisez pas SteamFresh<sup>MC</sup> avec les articles suivants : laine, couvertures, blousons de cuir, soie, vêtements mouillés, lingerie, produits de mousse ou couvertures électriques.
- Vous obtiendrez de meilleurs résultats si les articles sont de taille et de type de tissu similaires. Ne surchargez pas.


## CYCLES DE LESSIVE RAPIDE

Le cycle Speed Wash (Lessive Rapide) permet de laver rapidement des vêtements peu sales et un petit volume de linge. Pour obtenir de meilleures performances de lavage, nous recommandons de laver de petites quantités avec 2 ou 3 vêtements peu salis.

**REMARQUE :** Pour ce cycle, utilisez peu de détergent. Pour un rinçage plus profond, ajoutez un rinçage supplémentaire à l'aide du bouton d'option.

## LES CYCLES COLDWASH<sup>MC</sup>



Les cycles COLDWASH<sup>MC</sup> comprennent les cycles suivants: COTTON/NORMAL, PERM. PRESS, BULKY/LARGE, HEAVY DUTY, TOWELS, DELICATES, HANDWASH/WOOL , et SPEED WASH.

Ajouter l'option COLDWASH<sup>MC</sup> à ces cycles permet de réduire l'utilisation d'énergie et d'obtenir la même performance de lavage qu'un lavage chaud. En utilisant 6 mouvements de lavage différents (culbutage, roulement, marche, récurage, balancement, filtration), les tissus bénéficient des améliorations de nettoyage, sans l'utilisation d'énergie.

**Pour ajouter l'option COLDWASH<sup>MC</sup> à un cycle standard :**

- 1 Mettez en marche la machine à laver et tournez le bouton sélecteur pour sélectionner un cycle avec l'option COLDWASH<sup>MC</sup>.
- 2 Appuyez sur le bouton COLDWASH<sup>MC</sup>. La machine à laver ajustera automatiquement les paramètres du cycle.
- 3 Réglez toute autre option désirée.
- 4 Appuyez sur le bouton DÉMARRER/PAUSE pour démarrer le cycle. La machine à laver démarrera automatiquement.

**NOTES IMPORTANTES À PROPOS DES CYCLES COLDWASH<sup>MC</sup> :**

- Lorsque vous sélectionnez l'option COLDWASH<sup>MC</sup>, le temps de lavage sera augmenté jusqu'à 10 minutes.
- Pour une efficacité supérieure de lavage, nous vous recommandons d'utiliser moins de 8 lb.

## BOUTONS DE CONFIGURATION DE CYCLE

Chaque cycle possède des réglages préprogrammés qui se sélectionnent automatiquement. Vous pouvez également personnaliser les réglages à l'aide des boutons de configuration de cycle. Appuyez sur le bouton correspondant à cette option pour voir et sélectionner d'autres paramètres.

La machine à laver ajuste automatiquement le niveau d'eau au type et à la taille de la brassée pour de meilleurs résultats et une efficacité maximale. Il peut sembler ne pas y avoir d'eau dans le tambour dans certains cycles mais c'est normal.

**REMARQUE :** Pour protéger vos vêtements, les différentes options de température de lavage/rinçage, vitesse d'essorage, niveau de saleté ou autres ne sont pas toutes disponibles avec chacun des cycles. Consultez le Guide de cycle pour les détails.

### WASH/RINSE (LESSIVE/RINÇAGE)

Sélectionne la température de lavage et de rinçage du cycle sélectionné. Appuyez sur le bouton WASH/RINSE (lavage/rinçage) à répétition pour défiler à travers les paramètres disponibles.



- Votre machine à laver comporte un élément chauffant pour augmenter la température de l'eau jusqu'à des températures extra chaudes. La performance du lavage en est améliorée lorsque vous optez pour les paramètres normaux de chauffage de l'eau.
- Sélectionnez la température appropriée pour le type de brassée que vous désirez faire. Suivez les directives de l'étiquette d'entretien du tissu pour de meilleurs résultats.
- Le rinçage à l'eau tiède laisse la brassée plus sèche que le rinçage à l'eau froide. Le rinçage à l'eau tiède peut augmenter les plis.
- Dans les climats froids, un rinçage à l'eau tiède rend la brassée plus confortable à manipuler.
- Le rinçage à l'eau froide utilise moins d'énergie.

### SOIL LEVEL (SALETÉ)



Ajuste le cycle sélectionné pour permettre davantage de temps pour les vêtements très sales ou moins de temps pour les vêtements peu sales.

### SPIN SPEED (ESSORAGE)



Le tambour de la machine à laver essore à des vitesses pouvant atteindre 1 400 tours/min. Cela réduit le temps de séchage et économise l'énergie.

Appuyez sur le bouton SPIN SPEED (vitesse d'essorage) pour sélectionner la vitesse d'essorage maximale. Certains tissus délicats exigent une vitesse d'essorage plus lente.

### LE CYCLE DRAIN & SPIN (VIDANGE ET ESSORAGE)

: Le bouton Spin Speed (vitesse d'essorage) active aussi le cycle de vidange et d'essorage pour vidanger la cuve et essorer les vêtements; par exemple, si vous souhaitez retirez les vêtements avant que le cycle soit terminé.

Pour activer le cycle DRAIN & SPIN (vidange et essorage) :

- 1 Appuyez sur le bouton de MISE EN MARCHE/ARRÊT pour mettre en marche la machine à laver.
- 2 Enfoncez le bouton SPIN SPEED (vitesse d'essorage).
- 3 Sélectionnez la vitesse d'essorage désirée.  
**REMARQUE :** Si NO SPIN (pas d'essorage) a été sélectionné, la machine à laver se vidangera seulement.
- 4 Enfoncez le bouton DÉMARRER/PAUSE.

### BEEPER (AVERTISSEUR)



Ajuste le volume de l'alarme sonore de fin de cycle ou l'éteint.

# MODE D'EMPLOI

## BOUTONS DE FONCTIONS SPÉCIALES

Votre Steam Washer<sup>MC</sup> vous offre plusieurs options de cycle supplémentaires pour personnaliser les cycles et ainsi satisfaire vos besoins individuels. Certains boutons d'options comportent également une fonction spéciale (consultez la page suivante pour les détails) qui peut être actionnée en appuyant et en maintenant ce bouton d'option pendant 3 secondes.

### **Pour ajouter des options de cycles à un cycle :**

- 1 Mettez en marche la machine à laver et tournez le bouton sélecteur de cycle au cycle désiré.
- 2 Utilisez les boutons de réglage de cycle pour ajuster les paramètres de ce cycle.
- 3 Appuyez sur le ou les boutons d'options de cycles afin de sélectionner les paramètres que vous aimeriez ajouter. Les boutons d'options de cycles s'allumeront lorsqu'ils sont sélectionnés.
- 4 Appuyez sur le bouton DÉMARRER/PAUSE pour démarrer le cycle. La machine à laver démarrera automatiquement.

**REMARQUE :** Pour protéger vos vêtements, les différentes options de température de lavage/ rinçage, vitesse d'essorage, niveau de saleté ou autres ne sont pas toutes disponibles avec chacun des cycles. Consultez le Guide de cycle pour les détails.

### **STEAM (vapeur)**



Utilisez le bouton STEAM (vapeur) pour ajouter de la vapeur supplémentaire au cycle sélectionné et obtenir un pouvoir nettoyant supplémentaire et une efficacité améliorée. Consultez la section *Cycles de vapeur* pour de plus amples détails.

**REMARQUE :** Les cycles ne peuvent pas tous être utilisés avec l'option STEAM (Vapeur).

### **DELAY WASH (délai de lavage)**



Une fois le cycle et les autres paramètres sélectionnés, appuyez sur ce bouton pour retarder le démarrage du cycle de lavage. Chaque fois que vous appuyez sur ce bouton, le temps différé augmente d'une heure, pour un maximum de 19 heures.

### **STAIN CARE (DÉTACHAGE)**



Utilisez cette option pour les vêtements très sales qui requièrent un traitement plus efficace des taches. Si l'on sélectionne l'option STAIN CARE (DÉTACHAGE), l'eau sera tiède au début du cycle pour éviter que certains types de taches ne se fixent sur le tissu. Ensuite, au fur et à mesure de la progression du cycle, l'eau sera chauffée pour atteindre des températures plus élevées qui favoriseront l'élimination des taches qui requièrent un traitement à des températures plus élevées. Cette option est conçue pour obtenir un détachage optimum.

**REMARQUE:** Si l'option STAIN CARE (DÉTACHAGE) est sélectionnée avec le cycle SANITARY (SANITAIRE), le cycle débutera avec une eau très chaude : il s'agit en effet d'un réglage par défaut qui ne peut être modifié pour ce cycle.

### **CUSTOM PGM (programme personnalisé)**



Utilisez le bouton CUSTOM PGM pour choisir le cycle que vous avez sauvegardé en utilisant PGM SAVE (sauvegarde de programme).

### **COLDWASH<sup>MC</sup>**



Cette fonction permet d'économiser de l'énergie grâce à l'utilisation de l'eau froide tout en assurant un lavage correct. Pour un lavage efficace, ne chargez pas plus de 8 livres de linge.

### **FRESH CARE (soin fraîcheur)**



Utilisez cette fonction si vous n'êtes pas en mesure de retirer votre linge, tout de suite après la fin du cycle de lavage. Cette fonction permet de retourner périodiquement le linge jusqu'à environ 8 heures pour éviter qu'il ne se froisse. Si vous appuyez sur le bouton DÉMARRER/PAUSE ou MISE EN MARCHÉ/ARRÊT, vous pouvez retirer votre linge à tout moment.

### **EXTRA RINSE (rinçage supplémentaire)**




Cette option rajoute un rinçage au cycle sélectionné. Utilisez cette option pour vous assurer qu'il ne reste aucune trace de lessive ou d'eau de Javel dans le linge.

### **ADD GARMENTS (AJOUT DE VÊTEMENTS)**

La fonction d'ajout de vêtements vous permettra d'ajouter des vêtements durant le cycle. Lorsque l'afficheur montre Add Garments, appuyez sur le bouton DÉMARRER/PAUSE et ajoutez des vêtements.

**REMARQUE:** Cette fonction ne peut PAS être utilisée lorsque la température de la cuve ou le niveau d'eau sont élevés ou durant l'essorage.

## PROGRAMME PERSONNALISÉ

 Si vous utilisez une combinaison particulière de paramètres que vous utilisez fréquemment, il est possible de les sauvegarder en tant que PROGRAMME PERSONNALISÉ (CUSTOM PROGRAM).

### Sauvegarde d'un programme personnalisé:

- 1 Mettez en marche la machine à laver et tournez le bouton sélecteur de cycle au cycle désiré.
- 2 Utilisez les boutons de réglage de cycle pour ajuster les paramètres de ce cycle.
- 3 Appuyez sur le ou les boutons d'options de cycles afin de sélectionner les paramètres que vous aimeriez ajouter. L'afficheur montrera un message de confirmation.
- 4 Appuyez et gardez enfoncé le bouton PROGRAMME PERSONNALISÉ (CUSTOM PROGRAM) pendant 3 secondes.

**REMARQUE :** Il n'est possible de sauvegarder qu'un programme personnalisé. Tout autre programme préalablement sauvegardé sera effacé dès que vous appuyez et gardez enfoncé le bouton PROGRAMME PERSONNALISÉ (CUSTOM PROGRAM).


### Rappel d'un programme personnalisé :

- 1 Mettez la machine à laver en marche.
- 2 Enfoncez le bouton PROGRAMME PERSONNALISÉ (CUSTOM PROGRAM).
- 3 Appuyez sur le bouton DÉMARRER/PAUSE (START/PAUSE) pour démarrer le cycle.

## FONCTIONS SECONDAIRES

Ces boutons de fonction spéciaux vous permettent de sélectionner des fonctions supplémentaires: CHILD LOCK (verrouillage pour enfants), DRUM LIGHT (lumière de tambour), WASH/RINSE OPTIMIZER<sup>MC</sup> et LANGUAGE (langue). Pour activer, appuyez et tenez enfoncé pour 3 secondes le bouton pour la fonction secondaire.


### CHILD LOCK (verrouillage pour enfants)

 Utilisez cette option pour empêcher une utilisation non désirée de la machine à laver ou pour empêcher toute modification des paramètres de cycle lorsque la machine est en fonction. Appuyez et maintenez enfoncé le bouton STAIN CARE pendant 3 secondes pour actionner ou désactiver le CHILD LOCK (verrouillage pour enfants).


Les mots CHILD LOCK (verrouillage pour enfants) apparaîtront à l'afficheur et tous les boutons seront désactivés à l'exception du bouton MARCHÉ/ÉTEINT (ON/OFF).

**REMARQUE :** Le verrouillage pour enfants demeure activé après la fin du cycle. Si vous souhaitez désactiver cette fonction, appuyez et maintenez le bouton de détachement pendant 3 secondes.

### DRUM LIGHT (lumière du tambour)

 Le tambour est doté d'une lumière DEL bleue qui s'allume lorsque la machine à laver est mise en marche. Cette lumière s'éteint automatiquement lorsque la porte est fermée et que le cycle démarre. Pour allumer la lumière en cours de cycle, appuyez et maintenez enfoncé le bouton DELAY WASH (lavage différé) pendant 3 secondes. La lumière du tambour s'allumera puis s'éteindra automatiquement après 4 minutes.


### WASH/RINSE OPTIMIZER<sup>MC</sup> (optimiseur de lavage/rincage)

 Cette fonction permet de régler efficacement les temps de lavage et de rinçage en fonction du niveau de lessive du degré de dureté.

Appuyez sur le bouton EXTRA RINSE et maintenez-le enfoncé pendant 3 secondes pour activer ou désactiver la fonction WASH/RINSE OPTIMIZER<sup>MC</sup>.

- 1 Quantité excessive de détergent : allongement du cycle de rinçage.
- 2 Quantité de détergent insuffisante : allongement du temps de lavage.
- 3 Un peu de détergent résiduel est détecté : un temps de rinçage supplémentaire est ajouté.

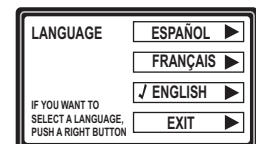
### LANGUAGE (langue)

 Cette option vous permet de modifier la langue montrée à l'afficheur. Une fois réglée, la langue sélectionnée restera la même, même après avoir coupé l'alimentation.

Les options de langue de l'afficheur sont l'anglais, le français et l'espagnol ; l'anglais est la langue par défaut.

#### Pour modifier la langue :

- 1 Appuyez sur le bouton de MISE EN MARCHÉ/ARRÊT pour mettre en marche la machine à laver.
- 2 Appuyez et maintenez enfoncé le bouton OPTION pendant 3 secondes, jusqu'à ce que l'écran suivant apparaisse à l'afficheur.



- 3 Lorsque vous appuyez sur le bouton OPTION, ENGLISH (anglais) s'affiche comme langue par défaut. Appuyez sur le bouton FRESH CARE pour sélectionner FRANÇAIS ou sur le bouton COLDWASH<sup>MC</sup> pour ESPAÑOL (espagnol).

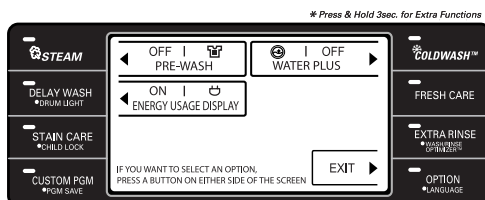
# MODE D'EMPLOI

## LES BOUTONS D'OPTION

En appuyant sur le bouton OPTION, vous affichez les options de cycle qui peuvent être ajoutées aux cycles de lavage ordinaires, y compris PRE-WASH (PRÉ-LESSIVE), WATER PLUS (PLUS D'EAU) et ENERGY USAGE DISPLAY (AFFICHAGE D'USAGE D'ÉNERGIE).

**Pour activer les options de cycle :**

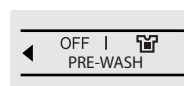
- 1 Mettez en marche la machine à laver et tournez le bouton sélecteur de cycle au cycle désiré.
- 2 Appuyez sur le bouton OPTION. Les options de cycle s'affichent : PRE-WASH (PRÉ-LESSIVE), WATER PLUS (PLUS D'EAU) et ENERGY USAGE DISPLAY (AFFICHAGE D'USAGE D'ÉNERGIE).



- 3 Appuyez sur le bouton de l'option souhaitée ; son état change et le bouton s'allume. Pour désactiver l'option, appuyez de nouveau sur le bouton.
- 4 Pour revenir à l'écran principal, appuyez de nouveau sur OPTION ou patientez 3 secondes.
- 5 Appuyez sur DÉMARRER/PAUSE pour démarrer le cycle avec les options sélectionnées.

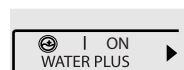
### PRE-WASH (PRÉ-LESSIVE)

Sélectionnez cette option pour ajouter un pré-lavage de 17 minutes et un cycle d'essorage au cycle choisi. Cela est particulièrement utile pour les articles très sales. Appuyez sur le bouton OPTION, puis appuyez sur le bouton STEAM (VAPEUR) pour sélectionner PRE-WASH (PRÉ-LESSIVE).



### WATER PLUS (PLUS D'EAU)

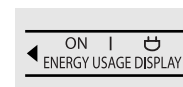
Appuyez sur le bouton OPTION, puis appuyez sur le bouton COLDWASH<sup>MC</sup> pour sélectionner WATER PLUS (PLUS D'EAU).



### ENERGY USAGE DISPLAY (AFFICHAGE D'USAGE D'ÉNERGIE)

Cette option fournit des informations sur l'énergie électrique et le coût de fonctionnement pour le cycle que vous avez sélectionné sur l'écran ACL. La charge électrique est convertie à la cote d'Energy Star. Il s'agit d'une option par défaut. Pour désactiver cette option, appuyez sur le bouton OPTION, puis appuyez sur le bouton DELAY WASH. (Coût estimé du fonctionnement en se basant sur huit lavages par semaine et un prix moyen national de l'électricité pour 2007 de 10,65 cents (US\$) par kWh et un prix du gaz naturel de 1,218 US\$ par thermie.)

**REMARQUE :** Votre coût dépendra des tarifs des services publics et de votre utilisation. Tandis que l'énergie électrique et le coût de fonctionnement affichent les valeurs par défaut d'un cycle.



## CYCLES D'ENTRETIEN SPÉCIAL

### ALLERGIENE<sup>MC</sup>

Le cycle ALLERGIENE<sup>MC</sup> est un cycle puissant à haute température conçu précisément pour réduire certains allergènes.

- En sélectionnant le cycle ALLERGIENE<sup>MC</sup>, de la vapeur est automatiquement intégrée au cycle de lavage.
- Le cycle ALLERGIENE<sup>MC</sup> peut réduire considérablement les allergènes dans la literie et les vêtements.
- Le cycle ALLERGIENE<sup>MC</sup> aide à réduire les acariens détriticoles et les allergènes.
- Compte tenu de l'énergie et des températures plus élevées qui sont utilisées, il n'est pas recommandé d'utiliser le cycle ALLERGIENE<sup>MC</sup> pour les lainages, la soie, le cuir ou tout autre article délicat ou thermosensible.

### HAND WASH/WOOL (LESS. MAIN/LAINE)

- Pour les vêtements en laine lavables en machine.
- Lavez seulement de petites brassées pour un entretien optimal des tissus.
- Seuls les détergents neutres (sans danger pour la laine) doivent être utilisés (Seulement une petite quantité de détergent est nécessaire en raison de la petite taille de brassée et du faible volume d'eau du cycle).
- Le cycle HAND WASH/WOOL (LESS. MAIN/LAINE) bénéficie d'un culbutage doux et d'un essorage à faible vitesse pour la protection optimale des tissus.

Le cycle Laine de cette machine a été approuvé par Woolmark pour le lavage des produits Woolmark lavables en machine, à la condition que les produits soient lavés conformément aux instructions de l'étiquette du vêtement et aux instructions du fabricant de cette machine à laver, M0807.



**NSF** Certified by NSF  
Certifié par la NSF

La NSF International (anciennement appelée la National Sanitation Foundation) certifie que le cycle **HYGIÉNIQUE** élimine 99,9 % des bactéries sur la lessive et que les bactéries ne seront pas transférées à la prochaine brassée.

## NETTOYAGE ORDINAIRE

### **⚠ AVERTISSEMENT :**

- **Débranchez votre machine à laver avant de la nettoyer pour éviter le risque d'électrocution.** Tout non-respect de cet avertissement peut entraîner des blessures graves, un incendie, une électrocution ou la mort.
- **N'utilisez jamais de produits chimiques puissants, de nettoyeurs abrasifs ou de dissolvants pour nettoyer votre machine à laver.** Ils endommageront sa surface.

### **Nettoyage de l'extérieur**

Un entretien adéquat de votre machine à laver peut prolonger sa durée de vie utile. L'extérieur de la machine peut être nettoyé à l'eau chaude, avec un détergent ménager doux et non abrasif. Essuyez immédiatement tout déversement à l'aide d'un chiffon doux et humide.

**IMPORTANT :** N'utilisez jamais d'alcool méthylique, de solvant ou de produits similaires. N'utilisez jamais de laine d'acier ou de nettoyeurs abrasifs; ils pourraient endommager la surface.

### **Entretien et nettoyage de l'intérieur**

Utilisez une serviette ou un chiffon doux pour essuyer le pourtour de l'ouverture de la porte, le joint de porte et la vitre de porte. Ces zones doivent être gardées propres pour assurer une bonne étanchéité. Assurez-vous d'essuyer l'intérieur du joint de caoutchouc pour en éliminer toute humidité ou saleté.

Retirez toujours les articles de la machine à laver aussitôt le cycle complété. Laisser des articles humides dans la machine à laver peut les froisser, altérer les couleurs et libérer des odeurs.

Effectuez un cycle TUB CLEAN+ (nettoyage de la cuve+) régulièrement pour éliminer l'accumulation de détergent et autres résidus.

**REMARQUE :** L'utilisation mensuelle du cycle TUB CLEAN+ garantira la propreté du tambour de lavage.

### **Élimination des taches sur le joint de porte**

**REMARQUE :** Portez des gants en caoutchouc et des lunettes de protection lorsque vous effectuez cette procédure.

- 1 Diluez  $\frac{3}{4}$  de tasse (177 ml) d'eau de Javel chlorée dans 1 gallon (3,8 L) d'eau tiède/chaude.
- 2 Essuyez toutes les surfaces du joint à l'aide de cette solution pour enlever tout dépôt pouvant causer des odeurs. (Assurez-vous de bien replier le rebord du joint pour nettoyer là où les dépôts s'accumulent).
- 3 Essuyez le joint à l'aide d'un chiffon sec.
- 4 Laissez la porte ouverte pour permettre le séchage complet du joint.

N'utilisez pas de javellisant non dilué, ce qui pourrait endommager le joint. Veuillez suivre les instructions du fabricant pour une utilisation correcte du javellisant. Si le joint ne peut être nettoyé correctement, il doit être remplacé.

**Lisez ces instructions soigneusement avant de démarrer le cycle TUB CLEAN+.**

- 1 Ouvrez la porte et retirez tout vêtement du tambour de lavage.
- 2 Ouvrez le tiroir du distributeur.
- 3 Ajoutez de l'eau de Javel chlorée ou le nettoyeur pour de tambour. Certains nettoyeurs pour tambour en poudre ou en pastilles qui sont fabriqués à cette fin peuvent être employés.

(NOTE : n'ajoutez aucun assouplissant ou détergent dans le distributeur lorsque vous utilisez un cycle TUB CLEAN+.)

- **Si vous utilisez de l'eau de Javel chlorée**  
Ajoutez de l'eau de Javel chlorée dans le compartiment à javellisant du tiroir distributeur.

(NOTE : ne dépassez pas la ligne maximum de remplissage et ne versez pas l'agent de blanchiment liquide non dilué directement dans le tambour de lavage.)

- **Si vous utilisez le nettoyeur en poudre**  
Enlevez tasse à détergent liquide et ajoutez le nettoyeur en poudre dans le compartiment principal de lavage du tiroir de distribution.

- **Si vous utilisez le nettoyeur en pastilles**  
Ajoutez le nettoyeur en pastille directement dans le tambour de la machine à laver. (NOTE : n'ajoutez pas de nettoyeur en pastilles dans le tiroir de distribution.)

- 4 Refermez le tiroir et la porte de la machine à laver.
- 5 Choisissez TUB CLEAN+ et puis sur DÉMARRER/PAUSE.

**REMARQUE :** Il est recommandé de répéter le cycle TUB CLEAN+ une fois par mois. Si la corrosion ou l'odeur de moisi sont déjà présentes, exécutez le cycle TUB CLEAN+ pendant 3 semaines consécutives. Après la fin du cycle TUB CLEAN+ ou quand la machine à laver n'est pas utilisée, laissez la porte de la machine ouverte pour une meilleure ventilation et un séchage de l'intérieur.

# ENTRETIEN ET NETTOYAGE

## NETTOYAGE ORDINAIRE (suite)

### *Entreposage de la machine à laver*

Si la machine à laver ne sera pas utilisée pendant une longue période et se trouve dans un endroit qui pourrait être exposé au gel :

- 1 Fermez le robinet d'alimentation en eau.
- 2 Débranchez les tuyaux de l'alimentation d'eau et purgez l'eau qu'ils contiennent.
- 3 Branchez le cordon électrique dans une prise correctement mise à la terre.
- 4 Ajoutez 1 gallon d'antigel non toxique pour véhicule récréatif (VR) au tambour vide de la machine à laver. Fermez la porte.
- 5 Sélectionnez le cycle d'essorage et laissez la machine à laver essorer pendant 1 minute pour vidanger toute l'eau.  
**REMARQUE :** Le liquide antigel pour VR ne sera pas entièrement expulsé.
- 6 Débranchez le cordon d'alimentation, séchez l'intérieur du tambour avec un chiffon doux et fermez la porte.
- 7 Retirez les languettes ou pièces supplémentaires du distributeur. Vidangez toute l'eau des compartiments et séchez les compartiments.
- 8 Entrepochez la machine à laver en position verticale.
- 9 Pour retirer l'antigel de la machine à laver après l'entreposage, effectuez un cycle complet en utilisant du détergent. **N'ajoutez pas de lessive !**

### *ÉLIMINATION de l'accumulation de calcaire*

Si vous vivez dans une région où l'eau est dure, du calcaire peut se former sur les composantes internes de la machine à laver. Utilisez un adoucisseur d'eau dans les régions où l'eau est dure. Si vous utilisez un détartreur, assurez-vous qu'il convient à une utilisation dans une machine à laver et effectuez un cycle TUB CLEAN+ (nettoyage de la cuve+) avant de laver les vêtements. Les taches de calcaire et autres taches peuvent être éliminées du tambour d'acier inoxydable à l'aide d'un nettoyant en acier inoxydable. N'utilisez PAS de laine d'acier ou de nettoyants abrasifs; ils pourraient endommager la surface.

### **Activation du nettoyage de la cuve**

Pour nettoyer la cuve, veuillez sélectionner le cycle de nettoyage de la cuve. Veuillez vider la cuve et remplir le distributeur à détergent avec de l'eau de Javel et appuyez sur le bouton de nettoyage de la cuve.

### **Porte ouverte préconisée**

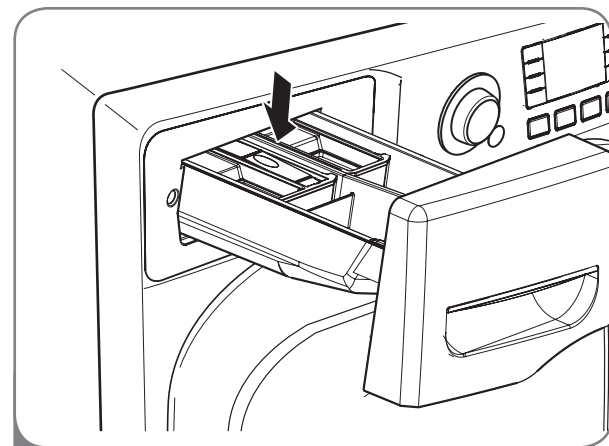
Il est préconisé de laisser la porte ouverte après la fin du lavage pour conserver la cuve propre.

**REMARQUE :** Le nettoyage du compartiment à détergent une fois par semaine garantira le bon fonctionnement de l'appareil.

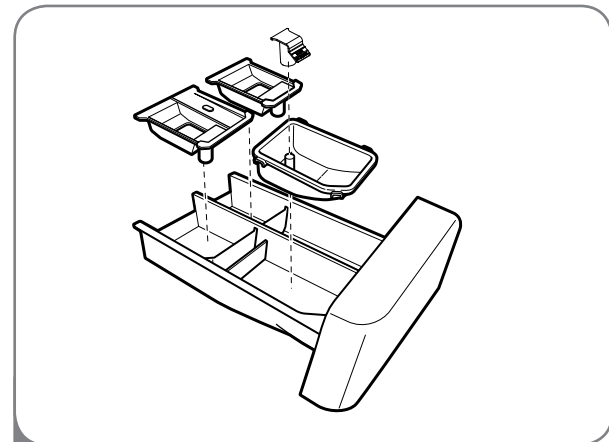
## NETTOYAGE DE LA MACHINE À LAVER

### *Nettoyage du distributeur*

Le distributeur doit être périodiquement nettoyé pour éliminer l'accumulation de détergent et d'autres produits de lessive.



- 1 Tirez sur le tiroir du distributeur jusqu'à ce qu'il s'arrête de lui-même. Appuyez sur le bouton au centre du tiroir et tirez pour sortir le tiroir.



- 2 Retirez les insertions du tiroir et nettoyez-les à l'eau tiède avec un chiffon doux ou brossez-les pour éliminer tout résidu ou accumulation. Essuyez l'intérieur de l'ouverture du tiroir à l'aide d'un chiffon humide. Réassemblez le tiroir et réinstallez-le dans l'ouverture.  
**REMARQUE :** N'utilisez rien d'autre que de l'eau pour nettoyer le tiroir, les languettes, les pièces supplémentaires et l'ouverture du tiroir. Si un nettoyeur quelconque coule à l'intérieur de la machine à laver, effectuez un cycle RINSE+SPIN (rinçage et essorage) avant d'y laver des vêtements.

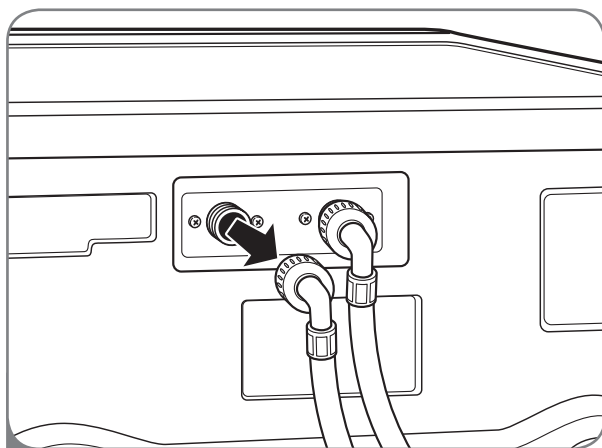
# ENTRETIEN ET NETTOYAGE

## ENTRETIEN

### *Nettoyage des filtres d'admission d'eau*

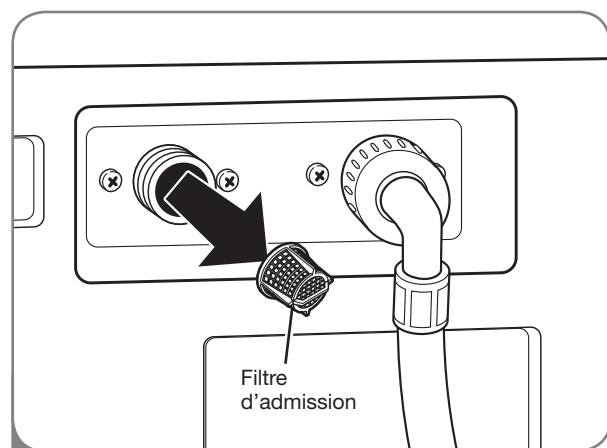
Si la machine à laver détecte qu'aucune eau ne pénètre dans le distributeur, un message d'erreur apparaîtra à l'afficheur. Si vous demeurez dans une région où l'eau est dure, l'obstruction des filtres d'admission peut provoquer l'apparition du message.

**IMPORTANT :** Soyez extrêmement prudent lorsque vous retirez et nettoyez les filtres. Si les filtres ne peuvent pas être nettoyés ou qu'ils sont endommagés, ne faites PAS fonctionner la machine à laver sans les filtres d'admission. Contactez le service à la clientèle de LG ou un centre de service LG qualifié.



- 1 Fermez complètement les deux robinets. Dévissez les conduites d'eau chaude et d'eau froide de l'arrière de la machine à laver.

**IMPORTANT :** Utiliser SEULEMENT les tuyaux d'entrée fournis par LG avec cet appareil électroménager. Il n'est pas garanti que les tuyaux de rechange s'adaptent ou fonctionnent correctement. Les autres tuyaux pourraient ne pas bien se serrer et causer des fuites. Les dommages subséquents au produit ou à la propriété ne seront pas couverts conformément aux modalités de la garantie de LG.



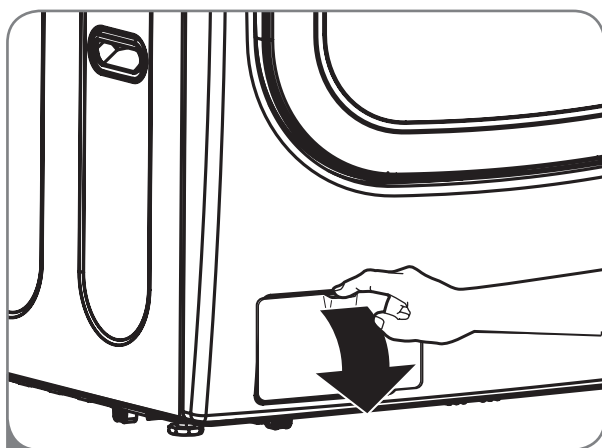
- 2 Retirez soigneusement les filtres d'admission d'eau et faites-les tremper dans du vinaigre blanc ou dans un détartrant, en vous conformant aux directives du fabricant. Rincez à fond avant de réinstaller. Remplacez les filtres et réattachez les conduites d'eau. Ne faites PAS fonctionner la machine à laver sans les filtres d'admission d'eau.

# ENTRETIEN ET NETTOYAGE

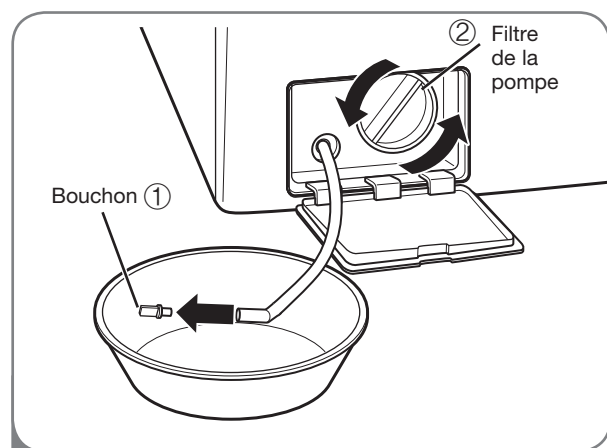
## ENTRETIEN (suite)

### *Nettoyer le filtre de la pompe de vidange*

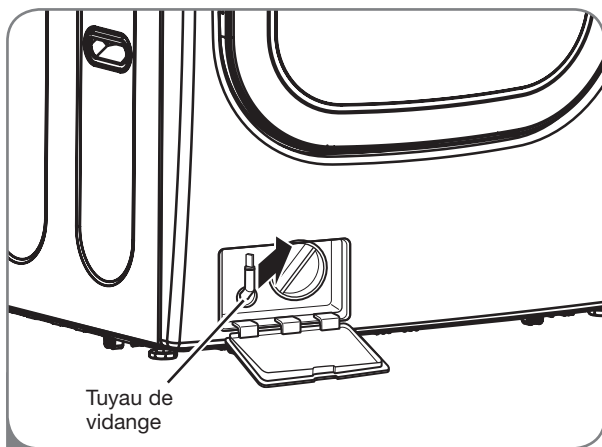
De la peluche et d'autres corps étrangers pourraient s'y accumuler et obstruer le filtre de la pompe de vidange. Si la machine à laver ne se vide pas correctement, débranchez-la et laissez l'eau refroidir au besoin, avant de poursuivre.



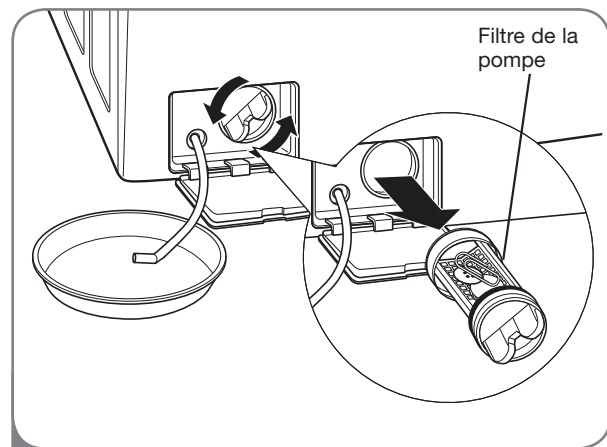
1 Ouvrez le panneau d'accès au filtre de la pompe à vidange.



3 Retirez le bouchon du tuyau de vidange et laissez l'eau se vider complètement.



2 Dégagez le tuyau de vidange et tirez-le. Placez l'extrémité du tuyau de vidange dans une casserole, un seau, ou le drain de plancher pour récupérer l'eau.



4 Tournez le filtre de la pompe dans le sens antihoraire pour le retirer. Retirez toute peluche et corps étrangers du filtre de la pompe.

Inversez les étapes ci-dessus pour réinstaller le filtre de la pompe de vidange et le tuyau de vidange. Assurez-vous de fermer le panneau du couvercle lorsque vous aurez terminé.

## SONS NORMAUX QUE VOUS POURRIEZ ENTENDRE

Les sons suivants peuvent se faire entendre lorsque la machine à laver est en fonction. Ils sont normaux.

### Cliquetis :

Relais du verrou de porte lorsque la porte se verrouille et se déverrouille.

### Vaporisation ou sifflement :

Vapeur ou eau vaporisée ou en circulation durant le cycle.

### Vrombissement ou gargouillis :


Eau de la pompe de vidange s'écoulant de la machine à laver à la fin d'un cycle.

### Éclaboussements :

Vêtements culbutant dans le tambour durant les cycles de lavage et de rinçage.




## AVANT D'APPELER LE SERVICE

Votre Steam Washer<sup>MC</sup> est dotée d'un système de contrôle des erreurs automatique qui détecte et diagnostique les problèmes dès leur apparition. Si votre machine à laver ne fonctionne pas correctement ou ne fonctionne pas du tout, vérifiez les éléments suivants avant d'appeler le service.







Problèmes	Causes possibles	Solutions
<b>Cliquetis et bruits de claquement</b>	<ul style="list-style-type: none"> <li>Des corps étrangers, comme des clés, des pièces de monnaie ou des épingles de sûreté, peuvent se trouver dans le tambour ou dans la pompe.</li> </ul>	<ul style="list-style-type: none"> <li>Arrêtez la machine à laver et vérifiez le filtre du tambour et de la vidange pour y déceler tout corps étranger. Si le bruit se poursuit une fois la machine redémarrée, appelez le service.</li> </ul>
<b>Cognements</b>	<ul style="list-style-type: none"> <li>De lourdes brassées peuvent produire un cognement.</li> <li>La brassée peut être déséquilibrée.</li> </ul>	<ul style="list-style-type: none"> <li>C'est normal. Si le son se poursuit, la machine à laver est probablement déséquilibrée (Arrêtez-la et redistribuez la brassée).</li> <li>Arrêtez-la et redistribuez la brassée.</li> </ul>
<b>Son dû à la vibration</b>	<ul style="list-style-type: none"> <li>Les boulons d'expédition et/ou les matériaux d'emballage n'ont pas été retirés.</li> <li>La brassée est peut-être mal distribuée dans le tambour.</li> <li>Les pieds de nivellement ne reposent peut-être pas fermement sur le sol.</li> <li>Le plancher n'est pas assez rigide.</li> </ul>	<ul style="list-style-type: none"> <li>Consultez les directives d'installation pour le retrait des boulons et matériaux d'emballage.</li> <li>Arrêtez la machine à laver et redistribuez la brassée.</li> <li>Ajustez les pieds de nivellement. Assurez-vous que les quatre pieds sont fermement en contact avec le sol lorsque la machine à laver a une brassée au cycle d'essorage.</li> <li>Assurez-vous que le plancher est solide et ne plie pas. Consultez la section <i>Installation</i>, sous la rubrique « Revêtement de sol ».</li> </ul>
<b>Fuites d'eau autour de la machine à laver</b>	<ul style="list-style-type: none"> <li>Le raccord du tuyau de remplissage est desserré au niveau du robinet ou de la machine à laver.</li> <li>Les conduites de vidange de la maison sont obstruées.</li> </ul>	<ul style="list-style-type: none"> <li>Vérifiez les tuyaux. Vérifiez et resserrez les connexions des tuyaux.</li> <li>Débouchez le tuyau de vidange. Contactez un plombier au besoin.</li> </ul>
<b>Mousse excessive</b>	<ul style="list-style-type: none"> <li>Trop de détergent ou détergent incorrect.</li> </ul>	<ul style="list-style-type: none"> <li>Réduisez la quantité de détergent ou utilisez un détergent à faible production de mousse.</li> </ul> <p> Utilisez uniquement les détergents affichant le logo HE (haute efficacité).</p>

# DÉPANNAGE

## AVANT D'APPELER LE SERVICE (suite)

Problèmes	Causes possibles	Solutions
<b>Taches</b>	<ul style="list-style-type: none"> <li>Des produits de lessive ont été ajoutés directement dans le tambour de la machine à laver.</li> <li>Les articles n'ont pas été retirés promptly.</li> <li>Les vêtements n'ont pas été triés correctement.</li> </ul>	<ul style="list-style-type: none"> <li>Ajoutez les produits de lessive dans le distributeur.</li> <li>Sortez toujours les articles de la machine à laver dès que le cycle est terminé.</li> <li>Lavez toujours les vêtements de couleur sombre séparément des vêtements blancs et de couleur claire pour éviter une décoloration. Si possible, évitez de laver des articles très sales avec des articles peu sales.</li> </ul>
<b>La machine à laver se vide lentement ou pas du tout ou l'afficheur montre :</b>  <b>OE ERROR</b> NOT DRAINING. CHECK THE DRAIN HOSE & FILTER. (LGUS)1-800-243-0000 (LGCANADA)1-888-542-2623	<ul style="list-style-type: none"> <li>Le tuyau de vidange est plié, pincé, ou obstrué.</li> <li>Le filtre de vidange est obstrué.</li> </ul>	<ul style="list-style-type: none"> <li>Assurez-vous que le tuyau de vidange n'est pas obstrué, tordu ou pincé derrière ou sous la machine à laver.</li> <li>Nettoyez le filtre de vidange. Consultez la section <i>Entretien et nettoyage</i>.</li> </ul>
<b>La machine à laver se remplit lentement ou pas du tout ou l'afficheur montre :</b>  <b>IE ERROR</b> NO WATER SUPPLY. CHECK TAP & HOSE. (LGUS)1-800-243-0000 (LGCANADA)1-888-542-2623	<ul style="list-style-type: none"> <li>Les robinets ne sont pas complètement ouverts.</li> <li>Les tuyaux d'eau sont tordus, pincés ou pliés.</li> <li>Les filtres d'admission d'eau sont obstrués.</li> <li>La pression d'eau au robinet ou à la maison est trop basse.</li> </ul>	<ul style="list-style-type: none"> <li>Assurez-vous que les robinets sont entièrement ouverts.</li> <li>Assurez-vous que les tuyaux ne sont pas tordus ou pincés. Attention lorsque vous déplacez la machine à laver.</li> <li>Nettoyez les filtres d'admission. Consultez la section <i>Entretien et nettoyage</i>.</li> <li>Vérifiez les autres robinets pour vous assurer que la pression d'eau dans la maison est suffisante.</li> </ul>
<b>La machine à laver ne s'allume pas</b>	<ul style="list-style-type: none"> <li>Le cordon électrique n'est pas correctement branché.</li> <li>Un fusible de maison a grillé, un disjoncteur s'est déclenché ou il y a une panne de courant.</li> </ul>	<ul style="list-style-type: none"> <li>Assurez-vous que la fiche est correctement enfichée dans une prise murale triphasé, de 120 V c.a. 60 Hz.</li> <li>Réinitialisez le disjoncteur ou remplacez le fusible. N'augmentez pas la capacité du fusible. Si le problème est un circuit surchargé, faites-le corriger par un électricien qualifié.</li> </ul>
<b>La machine à laver n'essore pas ou affiche le message ci-dessous :</b>  <b>dE ERROR</b> THE DOOR IS OPEN. PLEASE CLOSE THE DOOR COMPLETELY. (LGUS)1-800-243-0000 (LGCANADA)1-888-542-2623	<ul style="list-style-type: none"> <li>La porte est mal fermée.</li> </ul>	<ul style="list-style-type: none"> <li>Assurez-vous que la porte est correctement fermée et appuyez sur le bouton DÉMARRER/PAUSE. Après avoir démarré un cycle, vous devrez peut-être attendre un peu avant que le tambour ne commence à tourner ou à essorer. La machine à laver n'essore pas à moins que la porte ne soit verrouillée (les mots DOOR LOCK [verrouillage de la porte] apparaîtront à l'afficheur).</li> <li>Si la porte est fermée et verrouillée et que le message de porte ouverte apparaît, appelez le service.</li> </ul>
<b>La porte ne se déverrouille pas lorsque le cycle est terminé ou en pause</b>	<ul style="list-style-type: none"> <li>La température intérieure de la machine à laver est trop élevée.</li> <li>Le niveau d'eau de la machine à laver est trop élevé.</li> </ul>	<ul style="list-style-type: none"> <li>La porte de la machine à laver possède un verrou de sécurité pour prévenir les brûlures. Laissez-la refroidir jusqu'à ce que l'indicateur DOOR LOCK (verrouillage de la porte) s'éteigne à l'afficheur.</li> <li>Laissez la machine à laver compléter le cycle programmé ou effectuez un cycle Drain &amp; Spin (vidange et essorage) pour vidanger l'eau.</li> </ul>
<b>La durée du cycle est plus longue que d'habitude</b>	<ul style="list-style-type: none"> <li>La machine à laver ajuste automatiquement le temps de lavage pour la quantité de lessive, la pression d'eau, la température d'eau et autres conditions d'utilisation.</li> </ul>	<ul style="list-style-type: none"> <li>C'est normal. La machine à laver ajuste automatiquement la durée du cycle pour optimiser les résultats pour le cycle sélectionné.</li> </ul>
<b>Odeur de moisissure dans la machine à laver</b>	<ul style="list-style-type: none"> <li>Trop de détergent ou un détergent inapproprié a été utilisé.</li> <li>L'intérieur de la cuve n'a pas été correctement nettoyé.</li> </ul>	<ul style="list-style-type: none"> <li>Utilisez uniquement un détergent haute efficacité en conformité avec les directives du fabricant.</li> <li>Effectuez un cycle TUB CLEAN+ (nettoyage de la cuve+) régulièrement. Assurez-vous d'essuyer le pourtour et le dessous du joint de la porte fréquemment.</li> </ul>
<b>La vapeur est invisible durant le cycle STEAM (vapeur)</b>	<ul style="list-style-type: none"> <li>C'est normal.</li> </ul>	<ul style="list-style-type: none"> <li>Comme elle utilise une vapeur sous pression, la machine à laver requiert de très petites quantités de vapeur pour optimiser les résultats. Une vapeur excessive pourrait endommager les tissus et réduire l'efficacité.</li> </ul>

## AVANT D'APPELER LE SERVICE (suite)

Problèmes	Causes possibles	Solutions
<p><b>Présence de plis</b></p>	<ul style="list-style-type: none"> <li>• La machine à laver n'a pas été déchargée promptement.</li> <li>• La machine à laver est surchargée.</li> <li>• Les tuyaux d'alimentation en eau chaude et froide ont été inversés.</li> </ul>	<ul style="list-style-type: none"> <li>• Sortez toujours les articles de la machine à laver dès que le cycle est terminé.</li> <li>• La machine à laver peut être complètement chargée, mais les articles ne doivent pas être compressés dans le tambour. La porte de la machine à laver doit pouvoir se fermer facilement.</li> <li>• Un rinçage à l'eau chaude peut plisser les vêtements. Vérifiez le raccordement des tuyaux d'alimentation.</li> </ul>
<p><b>La lumière du tambour ne reste pas allumée</b></p>	<ul style="list-style-type: none"> <li>• C'est normal.</li> </ul>	<ul style="list-style-type: none"> <li>• La lumière du tambour s'éteint automatiquement lorsque la machine à laver démarre. Appuyez et maintenez enfoncé le bouton RINSE+SPIN (rinçage et essorage) pendant 3 secondes pour allumer la lumière; elle s'éteindra automatiquement après 4 minutes.</li> </ul>
<p><b>L'afficheur montre :</b></p> <div style="border: 1px solid black; padding: 5px; margin-top: 10px;"> <p> <b>UE ERROR</b> LOAD IS OUT OF BALANCE. REARRANGE WASH LOAD. (LGUS)1-800-243- 0000 (LGCANADA)1-888-542-2623</p> </div>	<ul style="list-style-type: none"> <li>• Brassée trop petite.</li> <li>• Brassée déséquilibrée.</li> <li>• La machine à laver possède un système de détection et de correction des déséquilibres. Si des articles individuels lourds sont chargés (tapis de bain, robe de chambre, etc) et que le déséquilibre est trop prononcé, la machine à laver fera plusieurs tentatives pour redémarrer le cycle d'essorage. S'il y a toujours un déséquilibre, la machine à laver s'arrêtera et le code d'erreur s'affichera.</li> </ul>	<ul style="list-style-type: none"> <li>• Ajoutez 1 ou 2 articles similaires pour aider à équilibrer la brassée.</li> <li>• Redistribuez les articles pour aider à équilibrer la brassée.</li> </ul>
<p><b>L'afficheur montre :</b></p> <div style="border: 1px solid black; padding: 5px; margin-top: 10px;"> <p> <b>tE ERROR</b> SEE OWNER'S MANUAL. (LGUS)1-800-243- 0000 (LGCANADA)1-888-542-2623</p> </div>	<ul style="list-style-type: none"> <li>• Erreur de contrôle.</li> </ul>	<ul style="list-style-type: none"> <li>• Débranchez la machine à laver et appelez le service.</li> </ul>
<p><b>L'afficheur montre :</b></p> <div style="border: 1px solid black; padding: 5px; margin-top: 10px;"> <p> <b>FE ERROR</b> SEE OWNER'S MANUAL. (LGUS)1-800-243- 0000 (LGCANADA)1-888-542-2623</p> </div>	<ul style="list-style-type: none"> <li>• Le niveau d'eau est trop élevé à cause d'une défectuosité de la soupape d'eau.</li> </ul>	<ul style="list-style-type: none"> <li>• Fermez les robinets, débranchez la machine et appelez le service.</li> </ul>
<p><b>L'afficheur montre :</b></p> <div style="border: 1px solid black; padding: 5px; margin-top: 10px;"> <p> <b>PE ERROR</b> SEE OWNER'S MANUAL. (LGUS)1-800-243- 0000 (LGCANADA)1-888-542-2623</p> </div>	<ul style="list-style-type: none"> <li>• Le capteur de niveau d'eau ne fonctionne pas correctement.</li> </ul>	<ul style="list-style-type: none"> <li>• Fermez les robinets, débranchez la machine et appelez le service.</li> </ul>
<p><b>L'afficheur montre :</b></p> <div style="border: 1px solid black; padding: 5px; margin-top: 10px;"> <p> <b>LE ERROR</b> SEE OWNER'S MANUAL. (LGUS)1-800-243- 0000 (LGCANADA)1-888-542-2623</p> </div>	<ul style="list-style-type: none"> <li>• Le circuit de protection de surcharge thermique du moteur s'est déclenché.</li> </ul>	<ul style="list-style-type: none"> <li>• Laissez la machine reposer pendant 30 minutes pour permettre au moteur de refroidir; puis redémarrez le cycle. Si le code d'erreur LE apparaît toujours, débranchez la machine à laver et appelez le service.</li> </ul>
<p><b>L'afficheur montre :</b></p> <div style="border: 1px solid black; padding: 5px; margin-top: 10px;"> <p> <b>PF ERROR</b> THE WASHER EXPERIENCED A POWER FAILURE. RESTART THE CYCLE. (LGUS)1-800-243- 0000 (LGCANADA)1-888-542-2623</p> </div>	<ul style="list-style-type: none"> <li>• Une panne électrique est survenue.</li> </ul>	<ul style="list-style-type: none"> <li>• Redémarrez le cycle.</li> </ul>

# SPÉCIFICATIONS/ACCESSOIRES EN OPTION

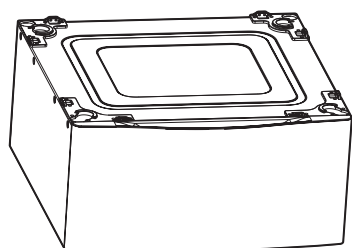
## SPÉCIFICATIONS ET DIMENSIONS PRINCIPALES

L'apparence et les spécifications détaillées dans ce manuel peuvent varier à cause des améliorations constantes apportées au produit.

Modèle Steam Washer <sup>MC</sup> LSWF3885HVS	
<b>Description</b>	Machine à laver à chargement par l'avant
<b>Exigences électriques</b>	120 V c.a. à 60 Hz.
<b>Pression d'eau maximale</b>	14,5~116 PSI (100~800 kPa)
<b>Dimensions</b>	27 po (larg) X 29 <sup>3</sup> / <sub>4</sub> po (prof) X 38 <sup>11</sup> / <sub>16</sub> po (haut), 51 po (prof avec porte ouverte) 68,6 cm (larg) X 75,6 cm (prof) X 98,3 cm (haut), 129,7 cm (prof avec porte ouverte)
<b>Poids net</b>	213,8 lb (97 kg)
<b>Vitesse d'essorage maximale</b>	1 400 tours/min

## ACCESSOIRES EN OPTION

Pour ces produits LG et les autres, contactez votre détaillant LG local ou visitez notre site Internet au [us.lge.com](http://us.lge.com), [ca.lge.com](http://ca.lge.com).



### Piédestal

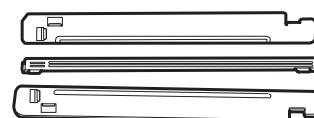
Donnez à votre machine à laver et sècheuse LG un coup de pouce grâce aux piédestaux de 14 po. Ils offrent un tiroir de rangement pour une commodité accrue.

#### Piédestal de 14 po

WDP4V  
WDP4W

#### Couleur

Acier Graphite  
Blanc



### Trousse d'empilage

Si l'espace est restreint, utilisez cette trousse pour empiler de façon sécuritaire votre machine à laver et sècheuse à chargement par l'avant LG.

#### Trousse de support

SSTK1  
STK1

#### Couleur

Titane  
Blanc

# LG ELECTRONICS CANADA, INC.

## GARANTIE LIMITÉE DE LA LAVEUSE LG - Canada

**GARANTIE :** Si votre machine à laver LG (le « produit ») s'avère défectueuse en raison d'un défaut de matériau ou de fabrication lors d'une utilisation normale à domicile pendant la période de garantie spécifiée ci-après, LG Canada réparera ou remplacera à sa discrétion le produit sur réception de la preuve d'achat originale fournie par le détaillant. Cette garantie n'est offerte qu'à l'acheteur original du produit chez un détaillant et ne s'applique qu'à un produit distribué au Canada par LG Canada ou par un distributeur canadien autorisé. La garantie ne s'applique qu'aux produits situés et utilisés au Canada.

<b>PÉRIODE DE GARANTIE : (Remarque : Si la date d'achat originale ne peut être vérifiée, la garantie débutera soixante (60) jours suivant la date de fabrication.)</b>		
<b>Laveuse</b>	<b>Garantie prolongée sur les pièces seulement</b> (Les consommateurs devront payer pour la main-d'œuvre Deux (2) an après la date d'achat)	
<b>Deux (2) an à compter de la date d'achat initiale</b>	<b>Dix (10) ans à compter de la date d'achat initiale</b>	<b>Cinq (5) ans à compter de la date d'achat initiale</b>
Pièces et main-d'œuvre (pièces internes fonctionnelles seulement)	Moteur à entraînement direct (Stator, rotor, capteur à effet Hall)	Cuve/tambour <b>Définir cuve, c.-à.-d. cuve en acier inox seulement</b>

- ❖ Les produits et pièces de remplacement sont garantis pour la portion restante de la période de garantie originale ou quatre-vingt-dix (90) jours, selon la période la plus longue.
- ❖ Les produits et pièces de remplacement peuvent être neufs ou remanufacturés.
- ❖ Le centre de service autorisé LG garantit les réparations pendant trente (30) jours.

**LA RESPONSABILITÉ DE LG CANADA SE LIMITE À LA GARANTIE CI-DESSUS. SAUF TEL QU'IL EST EXPLICITEMENT INDIQUÉ CI-DESSUS, LG CANADA NE FOURNIT AUCUNE AUTRE GARANTIE ET REJETTE TOUTES LES AUTRES GARANTIES ET CONDITIONS EXPLICITES OU IMPLICITES À L'ÉGARD DU PRODUIT CE QUI INCLUT, SANS TOUTEFOIS S'Y LIMITER, TOUTE GARANTIE ET CONDITION IMPLICITE DE QUALITÉ MARCHANDE OU DE CONVENANCE À UN USAGE PARTICULIER ET AUCUNE DÉCLARATION NE LIERA LG CANADA. LG CANADA N'AUTORISE PERSONNE À CRÉER NI À ASSUMER AUCUNE AUTRE PROVISION POUR GARANTIES EN RELATION AVEC CE PRODUIT. SI UNE GARANTIE OU CONDITION IMPLICITE EST REQUISE PAR LA LOI, SA PÉRIODE SE LIMITE À CELLE DE LA GARANTIE EXPLICITE SUSMENTIONNÉE.**

**LG CANADA, LE FABRICANT ET LE DISTRIBUTEUR NE POURRONT ÊTRE TENUS RESPONSABLES D'AUCUN DOMMAGE ACCESSOIRE, CONSÉCUTIF, SPÉCIALEMENT DIRECT OU INDIRECT, D'AUCUNE PERTE D'ACHALANDAGE OU DE PROFITS, D'AUCUN DOMMAGE PUNITIF, EXEMPLAIRE OU AUTRE, DIRECTEMENT OU INDIRECTEMENT ATTRIBUABLE À TOUTE VIOLATION CONTRACTUELLE, FONDAMENTALE OU AUTRE, OU À UNE ACTION, UNE OMISSION, UN DÉLIT OU TOUTE AUTRE CHOSE.**

La présente garantie vous confère des droits légaux spécifiques. Vous pourriez disposer d'autres droits, suivant les lois provinciales applicables. Toute clause de la présente garantie qui invalide ou modifie une condition ou garantie implicite aux termes d'une loi provinciale est dissociable si elle entre en conflit avec la loi provinciale, et ce, sans affecter les autres clauses de la garantie.

### **LA PRÉSENTE GARANTIE LIMITÉE NE COUVRE PAS CE QUI SUIT :**

1. Un appel de service pour livrer, ramasser ou installer le produit; renseigner un client sur le fonctionnement du produit; réparer ou remplacer des fusibles ou rectifier le câblage ou corriger une réparation ou installation non autorisée.
2. La défaillance du produit durant une panne ou interruption de courant ou en raison d'un service électrique inadéquat.
3. Des dommages occasionnés par la fuite ou le bris de conduites d'eau, le gel de conduites d'eau, des tuyaux de drainage restreints, une alimentation en eau inadéquate ou interrompue ou une alimentation en air inadéquate.
4. Des dommages attribuables à l'utilisation du produit dans une atmosphère corrosive ou contraire aux instructions spécifiées dans le manuel d'utilisation du produit.
5. Des dommages au produit causés par un accident, des animaux nuisibles ou des vermines, la foudre, le vent, un incendie, une inondation ou une catastrophe naturelle.
6. Les dommages attribuables à une mauvaise utilisation, une utilisation abusive ou à une installation, une réparation ou un entretien inapproprié du produit. Les réparations inappropriées incluent l'utilisation de pièces ni approuvées ni recommandées par LG Canada.
7. La détérioration ou la défaillance du produit causée par une modification ou un changement non autorisé ou une utilisation autre que celle prévue, ou résultant d'une fuite d'eau occasionnée par une mauvaise installation.
8. La détérioration ou la défaillance du produit causée par un courant ou un voltage électrique incorrect, une utilisation commerciale ou industrielle, ou l'utilisation d'accessoires d'éléments ou de produits nettoyants non approuvés par LG Canada.
9. Les dommages causés par le transport et la manipulation, notamment les égratignures, les bosses, les écaillures et/ou tout autre dommage à la finition du produit, à moins que ces dommages ne soient attribuables à des défauts de matériaux ou de fabrication et qu'ils ne soient signalés dans un délai d'une (1) semaine de la livraison.
10. Des dommages ou des pièces manquantes à tout produit exposé, déballé, soldé ou remis à neuf.
11. Des produits dont le numéro de série original a été retiré, modifié ou ne peut être facilement déterminé. Le modèle et le numéro de série, ainsi que le reçu de vente original du détaillant, sont requis pour valider la garantie.
12. L'augmentation des coûts et de la consommation des services publics.
13. Le remplacement des ampoules électriques, des filtres et de toute pièce non durable.
14. Les réparations requises si le produit ne sert pas à une utilisation domestique normale et habituelle (y compris, sans toutefois s'y limiter, une utilisation commerciale, dans un bureau ou un centre récréatif) ou est utilisé contrairement aux instructions spécifiées dans le manuel d'utilisation du produit.
15. Les coûts associés à l'enlèvement du produit de votre résidence aux fins de réparation.
16. L'enlèvement et la réinstallation du produit, s'il est installé à un endroit inaccessible ou contrairement aux instructions d'installation publiées, y compris dans le manuel d'utilisation et le manuel d'installation du produit.
17. Les accessoires du produit, tels que balconnets, les tiroirs, les poignées, les tablettes, etc. Sont également exclues les pièces non incluses initialement avec le produit.

Tous les coûts associés aux circonstances exclues ci-dessus seront assumés par le consommateur.

Pour obtenir tous les détails sur la garantie et accéder au service à la clientèle, téléphonez-nous ou visitez notre site Web :

Composez le 1-888-542-2623 (24 h sur 24, 365 jours par année) et sélectionnez l'option de menu appropriée, ou visitez notre site Web au <http://www.lg.ca>

Écrivez vos renseignements de garantie ci-dessous :

Renseignements sur l'enregistrement du produit :

Modèle :

Numéro de série :

Date d'achat :



This product qualifies for ENERGY STAR in the "factory default (Home Use)" setting.

Changing the factory default settings or enabling other features may increase power consumption that could exceed the limits necessary to qualify for ENERGY STAR.

LG Customer Information Center

1-800-243-0000 USA

1-888-542-2623 CANADA

Register your product Online!

[www.lge.com](http://www.lge.com)