

HEAT CONTROLLER, INC.

ENERGY  **KNIGHT**®

**Wall Mounted
Multi-Split System
Air Conditioning/Heat Pump**
Service Manual

Model: B/A-HMC36AT
B/A-HMH36AT

CAUTION

Before servicing the unit, read the
“safety precautions” in this manual.

Only for authorized service personnel.

HCI-MSSM-36AT-04

TABLE OF CONTENTS

Safety Precautions	3
Product Specifications	7
Dimensions	9
Refrigeration Cycle Diagram	11
Wiring Diagram	12
Electronic Control Device	13
Schematic Diagram	16
Functions	19
Operation Details	22
2-way, 3-way Valve	27
Cycle Troubleshooting Guide	31
Electronic Parts Troubleshooting Guide	32
Operation	53
Disassembly of the parts (Indoor unit)	55
Exploded View and Replacement Parts List	57

Safety Precautions



To prevent injury to the user or other people and property damage, the following instructions must be followed.

■ Incorrect operation due to ignoring instruction will cause harm or damage. The seriousness is classified by the following indications.

⚠ WARNING This symbol indicates the possibility of death or serious injury.

⚠ CAUTION This symbol indicates the possibility of injury or damage.

■ Meanings of symbol used in this manual are as shown below.

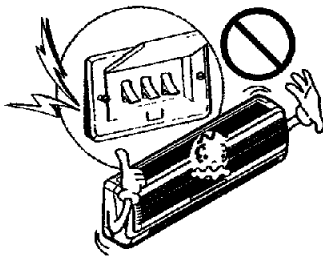
	Be sure not to do.
	Be sure to follow the instruction.

⚠ WARNING

■ Installation

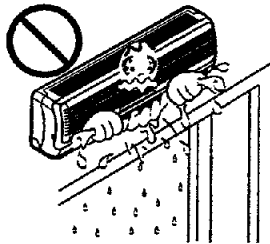
Do not use a defective or underrated circuit breaker. Use this appliance on a dedicated circuit.

- There is risk of fire or electric shock.



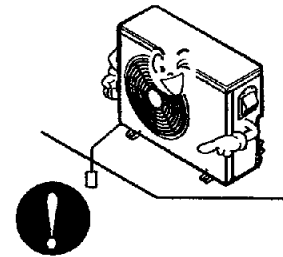
Do not let the air conditioner run for a long time when the humidity is very high and a door or a window is left open.

- Moisture may condense and wet or damage furniture.



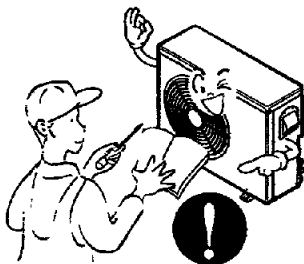
Always ground the product.

- There is risk of fire or electric shock.



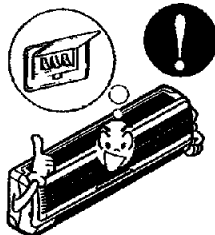
Install the panel and the cover of control box securely.

- There is risk of fire or electric shock.



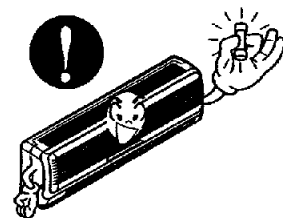
Always install a dedicated circuit and breaker.

- Improper wiring or installation may cause fire or electric shock



Use the correctly rated breaker or fuse.

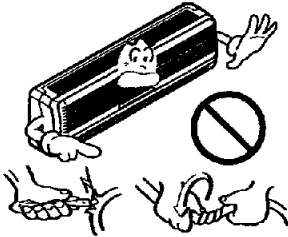
- There is risk of fire or electric shock.



Safety Precautions

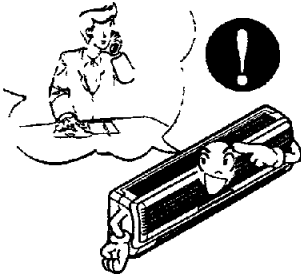
Do not modify or extend the power cable.

- There is risk of fire or electric shock.



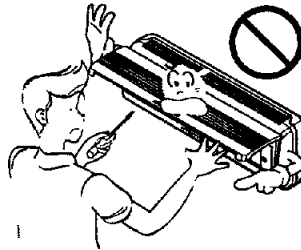
For installation, always contact the dealer or an Authorized Service Center.

- There is risk of fire, electric shock, explosion, or injury.



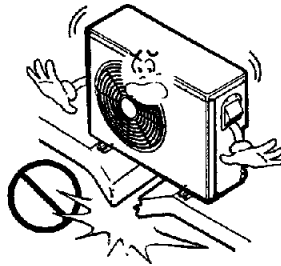
Do not install, remove, or re-install the unit by yourself (customer).

- There is risk of fire, electric shock, explosion, or injury.



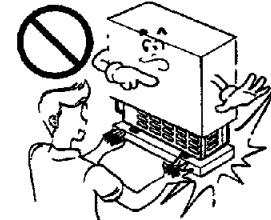
Do not install the product on a defective installation stand.

- It may cause injury, accident, or damage to the product.



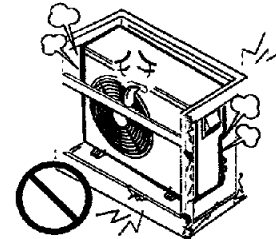
Be cautious when unpacking and installing the product.

- Sharp edges could cause injury. Be especially careful of the case edges and the fins on the condenser and evaporator.



Be sure the installation area does not deteriorate with age.

- If the base collapses, the air conditioner could fall with it, causing property damage, product failure, and personal injury.



Operational

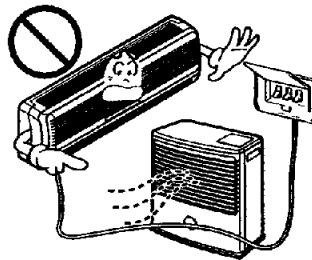
Do not touch (operate) the product with wet hands.

- There is risk of fire or electrical shock.



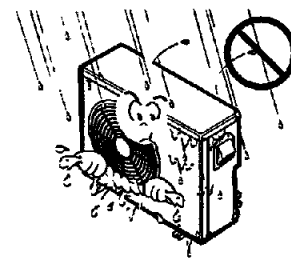
Do not place a heater or other appliances near the power cable.

- There is risk of fire and electric shock.



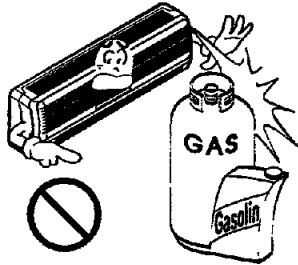
Do not allow water to run into electric parts.

- It may cause There is risk of fire, failure of the product, or electric shock.



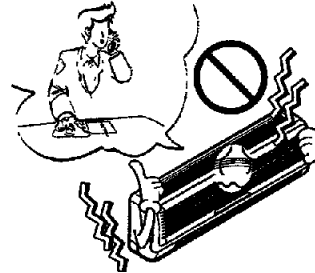
Do not store or use flammable gas or combustibles near the product.

- There is risk of fire or failure of product.



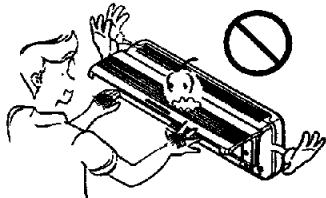
If strange sounds, or smell or smoke comes from product. Turn the breaker off or disconnect the power supply cable.

- There is risk of electric shock or fire.



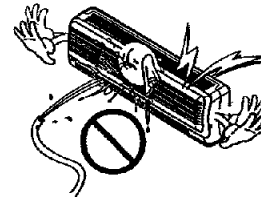
Do not open the inlet grille of the product during operation. (Do not touch the electrostatic filter, if the unit is so equipped.)

- There is risk of physical injury, electric shock, or product failure.



Be cautious that water could not enter the product.

- There is risk of fire, electric shock, or product damage.

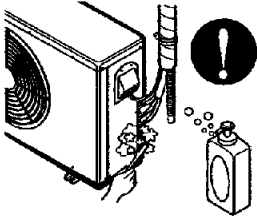


CAUTION

Installation

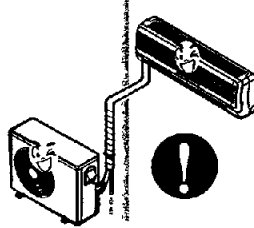
check for gas (refrigerant) leakage after installation or repair of product.

- Low refrigerant levels may cause failure of product.



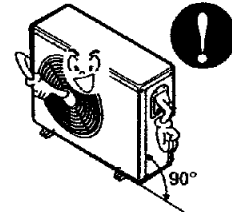
Install the drain hose to ensure that water is drained away properly.

- A bad connection may cause water leakage.



Keep level even when installing the product.

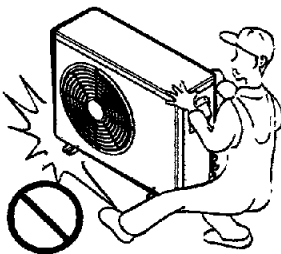
- To avoid vibration or water leakage.



Operational

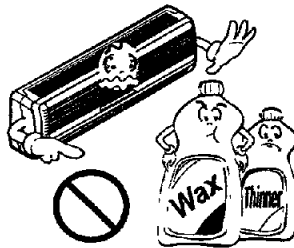
Use two or more people to lift and transport the product.

- Avoid personal injury.



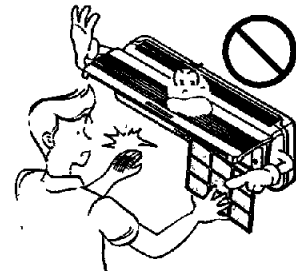
Use a soft cloth to clean. Do not use harsh detergents, solvents, etc.

- There is risk of fire, electric shock, or damage to the plastic parts of the product.



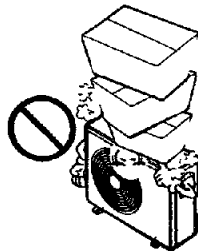
Do not touch the metal parts of the product when removing the air filter. They are very sharp!

- There is risk of personal injury.



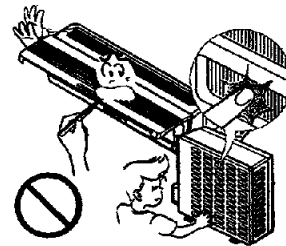
Do not step on or put anything on the product. (outdoor units)

- There is risk of personal injury and failure of product.



Do not insert hands or other objects through the air inlet or outlet while the product is operated.

- There are sharp and moving parts that could cause personal injury.



Product Specifications

1. HMC36AT

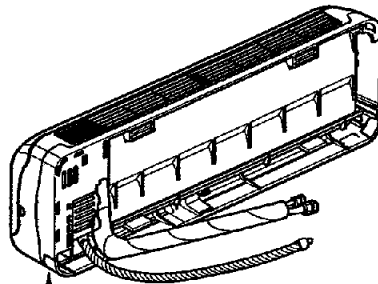
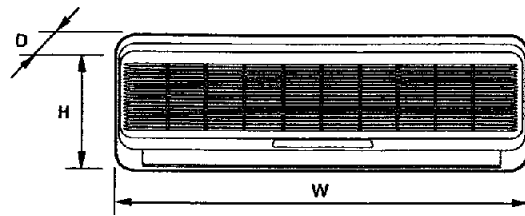
Item		Operation Unit	3-Unit On	2-Unit On	1-Unit On	Remarks
Cooling Capacity	Btu/h(kcal/h)		34,200/36,000	22,800/24,000	11,400/12,000	208/230V
Heating Capacity			-	-	-	-
Moisture Removal	l/h		3.6	2.4	1.2	at 230V
Power Source	ø, V, Hz		1Ø, 208/230V, 60Hz			
Air Circulation	m ³ /min	Indoor	-	-	8	
		Outdoor	63			
Noise Level (Hi / Med / Low)	dB(A)	Indoor	-	-	40/38/36	at 230V
		Outdoor	54			
Input	Cooling	W	4,020/4,020	2,530/2,530	1,340/1,340	208/230V
	Heating		-	-	-	
Running Current	Cooling	A	17.9/17.9	11.6/11.6	5.9/5.9	
	Heating		-	-	-	
E.E.R.	Cooling	Btu/h-w	8.5/8.9	9.0/9.5	8.5/8.9	
C.O.P.	Heating	-	-	-	-	
Dimensions(W x H x D)	mm	Indoor	888x287x170			
		Outdoor	870 x 1060 x 320			
Net. Weight	kg	Indoor	9			
		Outdoor	78			
Service Valve	mm(Inch)	Liquid	6.35(1/4)			
		Gas	12.7(1/2)			
Refrigerant(R-22)	g		2,500	-	-	at 7.5m
Airflow Direction Control(Up & Down)			O			
Remote Controller Type			L.C.D Wireless			
Sleeping Operation			O			
Drain Hose			O			

2. HMM36AT

Item		Operation		3-Unit On	2-Unit On	1-Unit On	Remarks
		Unit					
Cooling Capacity		Btu/h(kcal/h)		34,600/36,000	23,040/24,000	11,500/12,000	208/230V
Heating Capacity				-	-	-	
Moisture Removal		l/h		3.6	2.4	1.2	at 230V
Power Source		ø, V, Hz		1Ø, 208/230V, 60Hz			
Air Circulation		m ³ /min		Indoor	-	-	8
				Outdoor	63		
Noise Level (Hi / Med / Low)		dB(A)		Indoor	-	-	40/38/36
				Outdoor	54		
Input	Cooling	W		3,920/3,920	2,660/2,660	1,500/1,500	208/230V
	Heating			-	-	-	
Runnig Current	Cooling	A		17.5/17.5	12.2/12.2	6.7/6.7	
	Heating			-	-	-	
E.E.R.	Cooling	Btu/h-w		8.8/9.2	8.7/9.0	7.7/8	
C.O.P.	Heating	-		-	-	-	
Dimensions(W x H x D)		mm		Indoor	888 x 287 x 170		
				Outdoor	870 x 1060 x 320		
Net. Weight		kg		Indoor	9		
				Outdoor	78		
Service Valve		mm(Inch)		Liquid	6.35(1/4)		
				Gas	9.52(3/8)		
Refrigerant(R-22)		g		2,500	780	780	at 7.5m
Airflow Direction Control(Up & Down)				O			
Remote Controller Type				L.C.D Wireless			
Sleeping Operation				O			
Drain Hose				O			

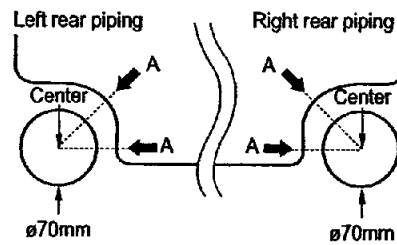
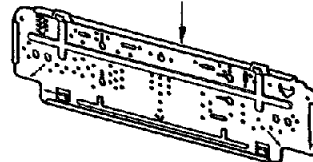
Dimensions

1. Indoor Unit



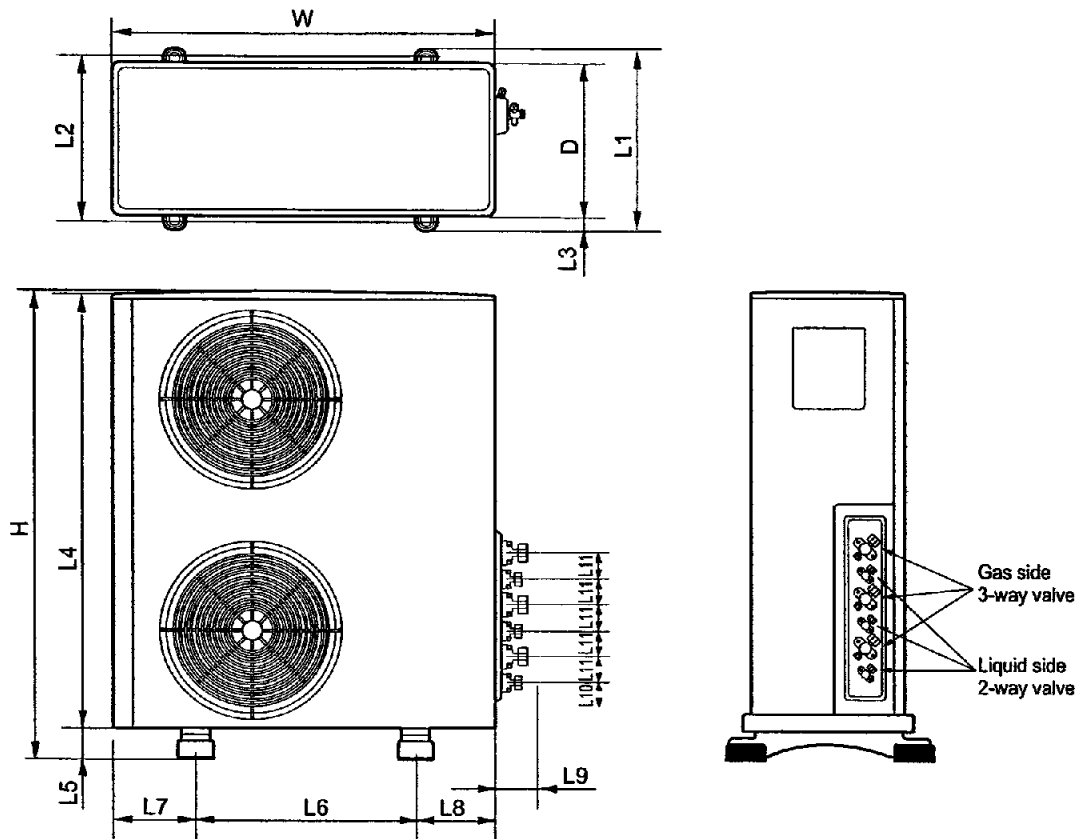
Tubing hole cover

Installation plate



DIM	MODEL	
	HMC36AT	HMH36AT
W	mm(in)	888(35.0)
H	mm(in)	287(11.3)
D	mm(in)	170(6.7)

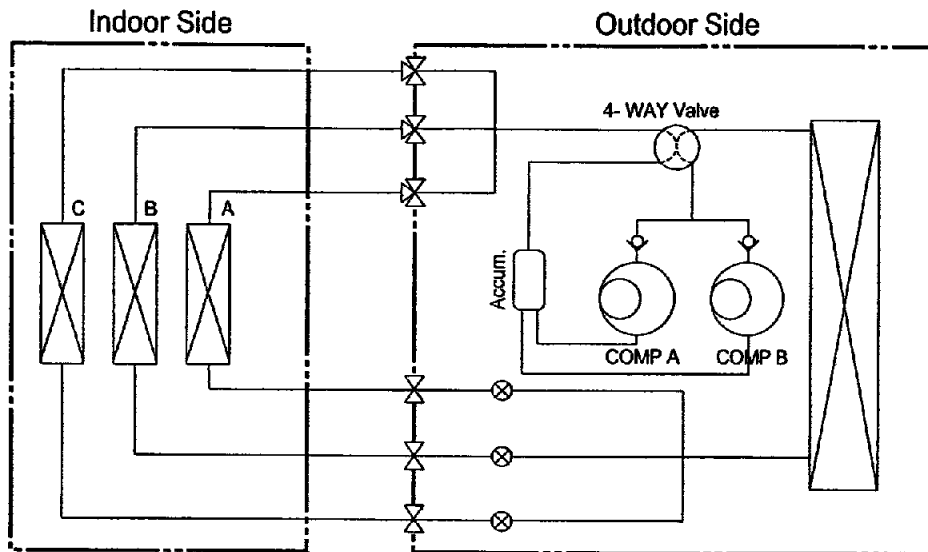
2. Outdoor Unit



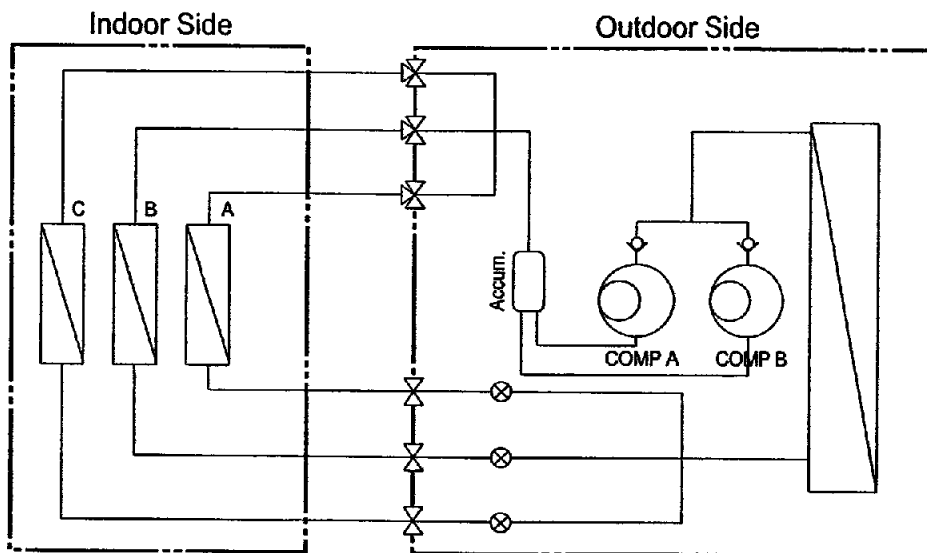
DIM	MODEL		HMC36AT	HMH36AT
		mm(in)		
W		mm(in)	870	(34.0)
H		mm(in)	1038	(41.0)
D		mm(in)	320	(12.6)
L1		mm(in)	360	(14.2)
L2		mm(in)	340	(13.4)
L3		mm(in)	25	(1.0)
L4		mm(in)	1035	(40.7)
L5		mm(in)	25	(1.0)
L6		mm(in)	546	(21.5)
L7		mm(in)	160	(6.3)
L8		mm(in)	160	(6.3)
L9		mm(in)	44	(1.7)
L10		mm(in)	64.5	(2.5)
L11		mm(in)	50	(2.0)

Refrigeration Cycle Diagram






1. HMM36AT



2. HMC36AT



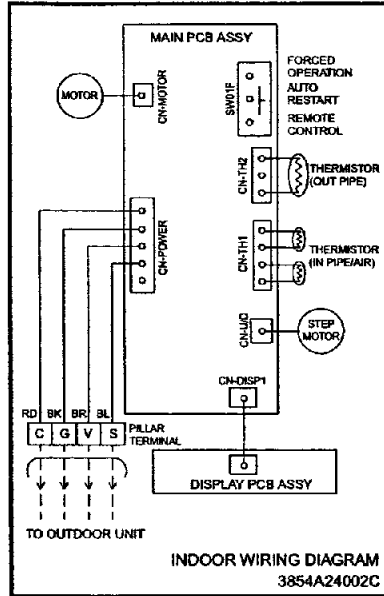
ex)

	Capillary
	Solenoid Valve
	L.E.V
	3-Way Valve
	2-Way Valve

Wiring Diagram

Indoor Unit

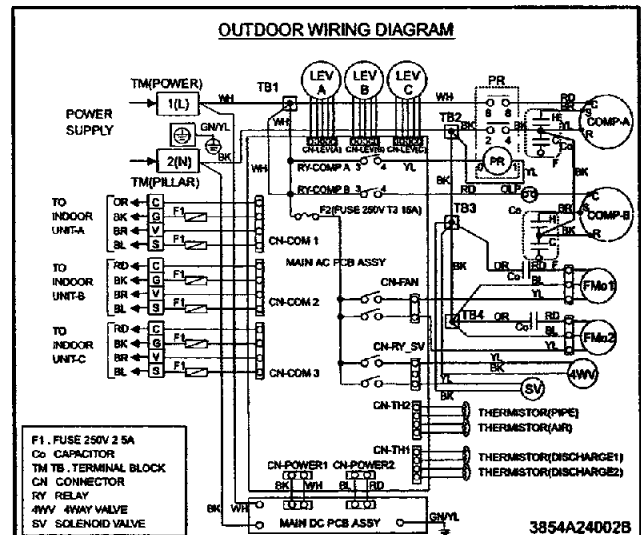
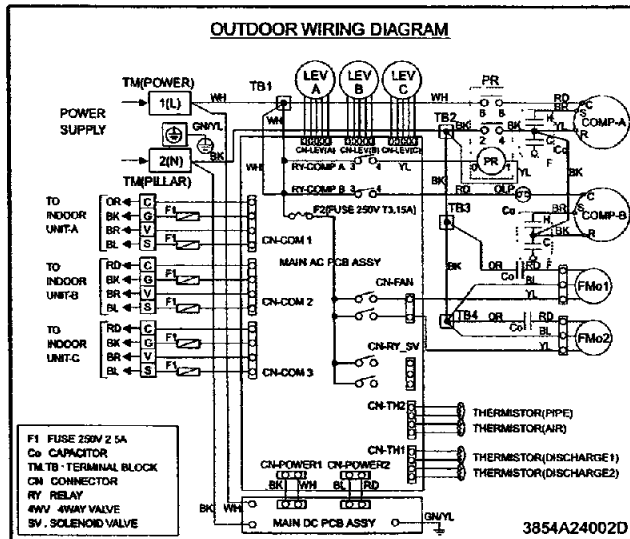
HMC36AT
HMH36AT



Outdoor Unit

HMC36AT

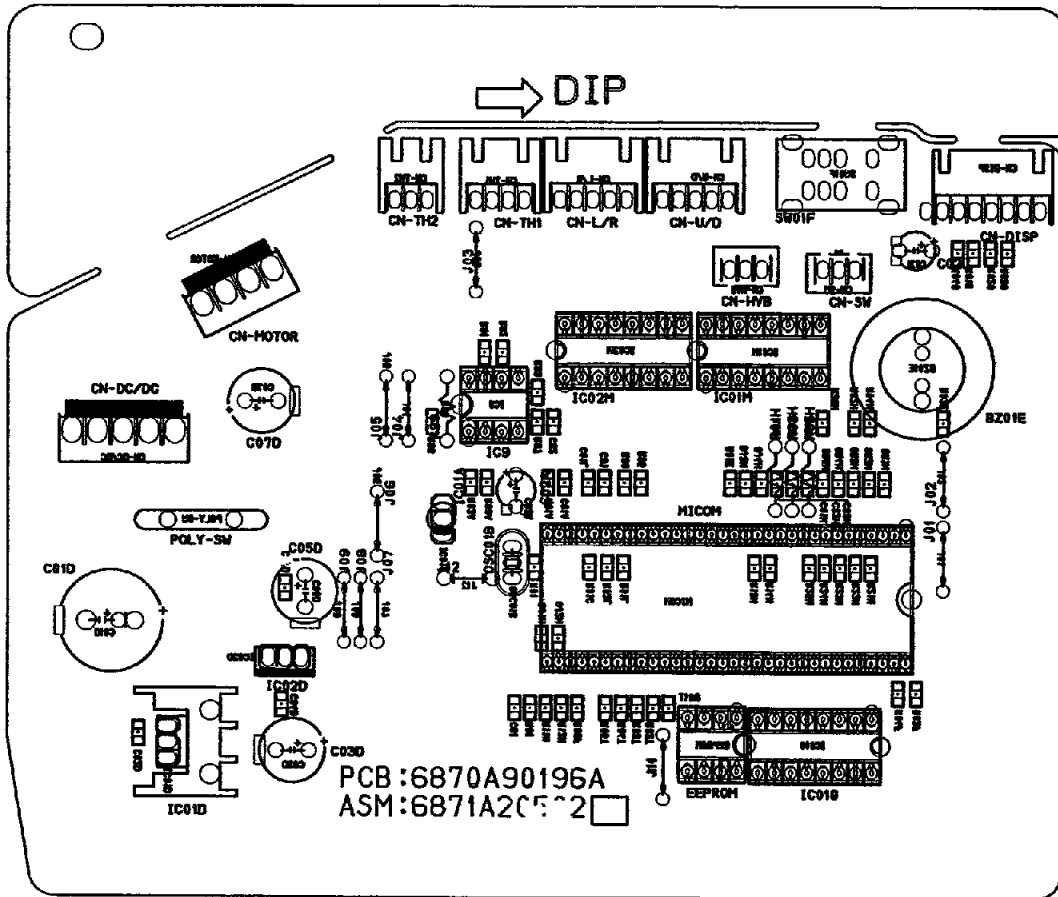
HMH36AT



Electronic Control Device

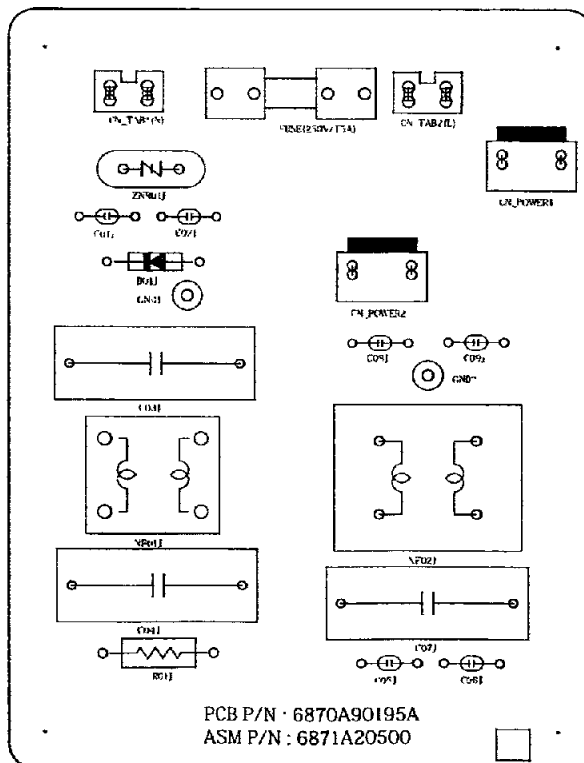
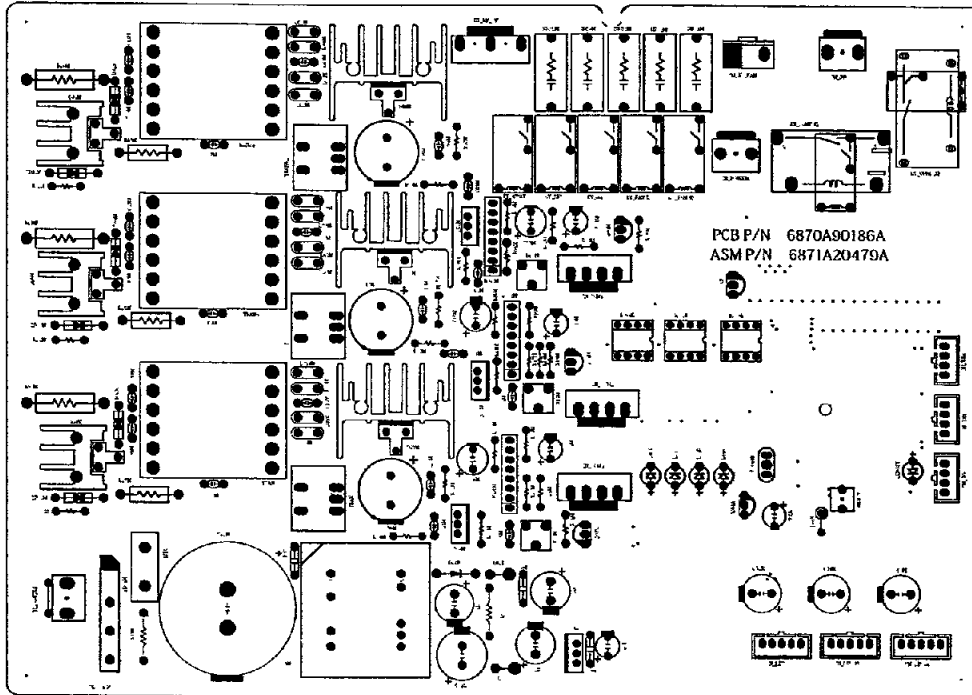
Indoor Unit

• MAIN P.C.B DC ASM

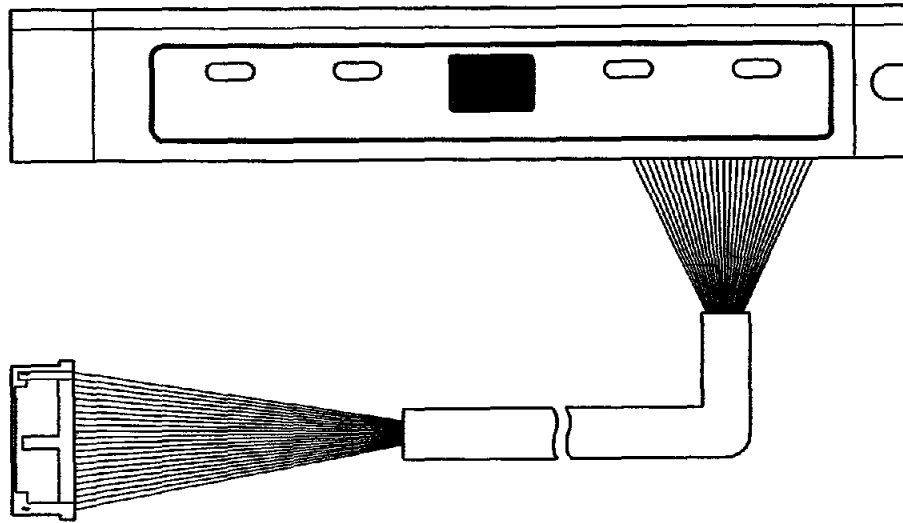


Outdoor Unit

• MAIN P.C.B DC ASM

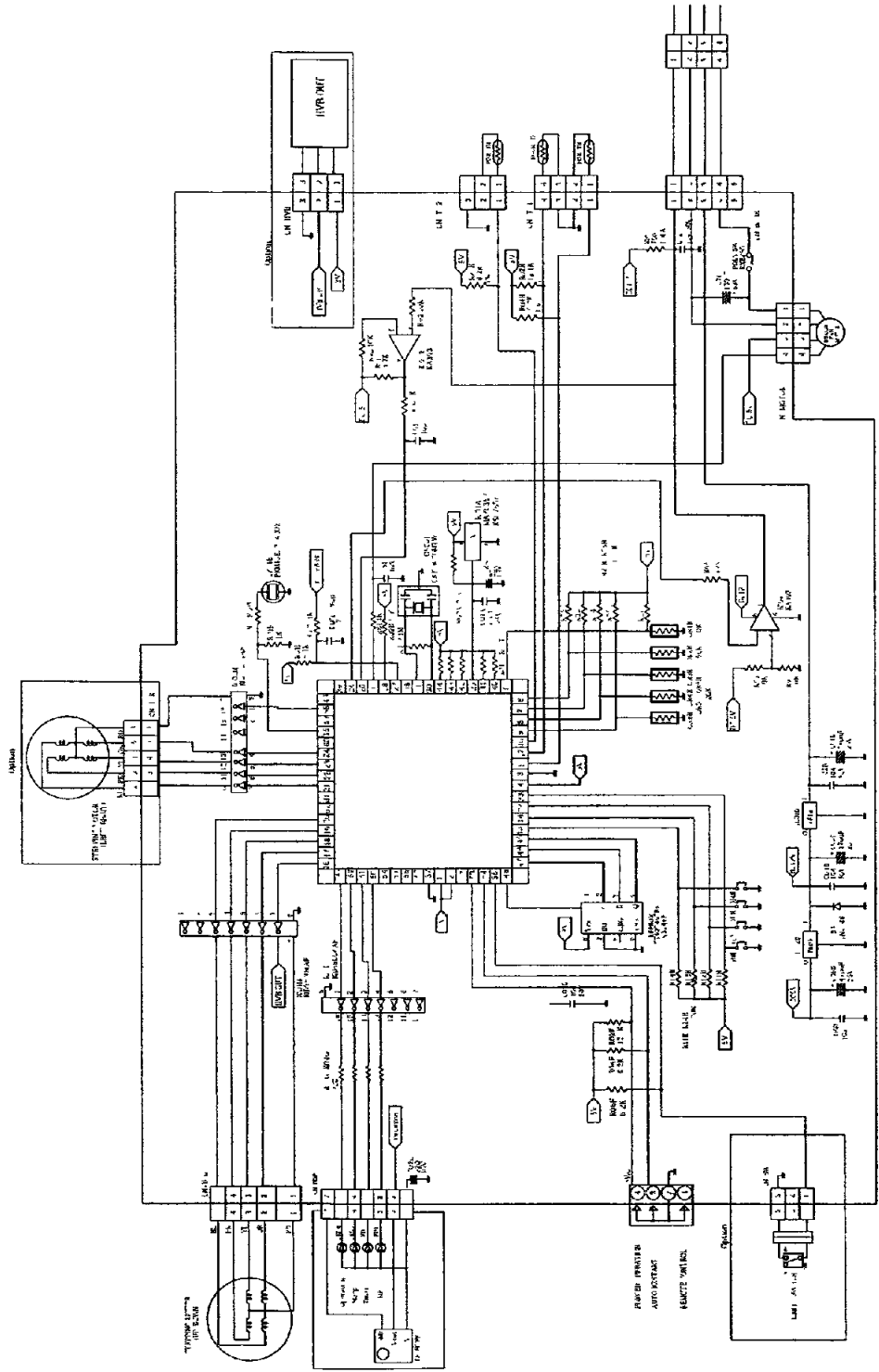


Display P.C.B ASM

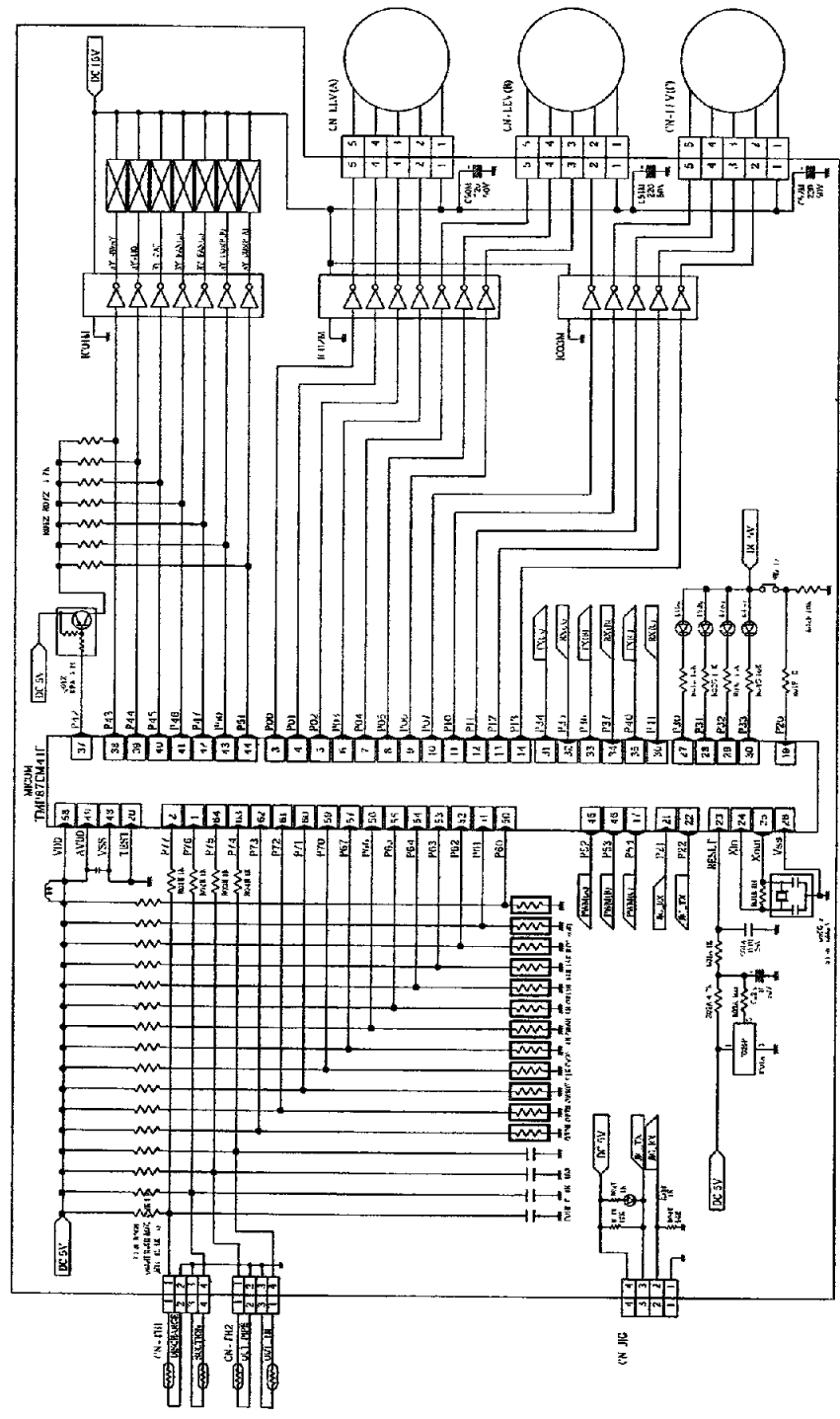


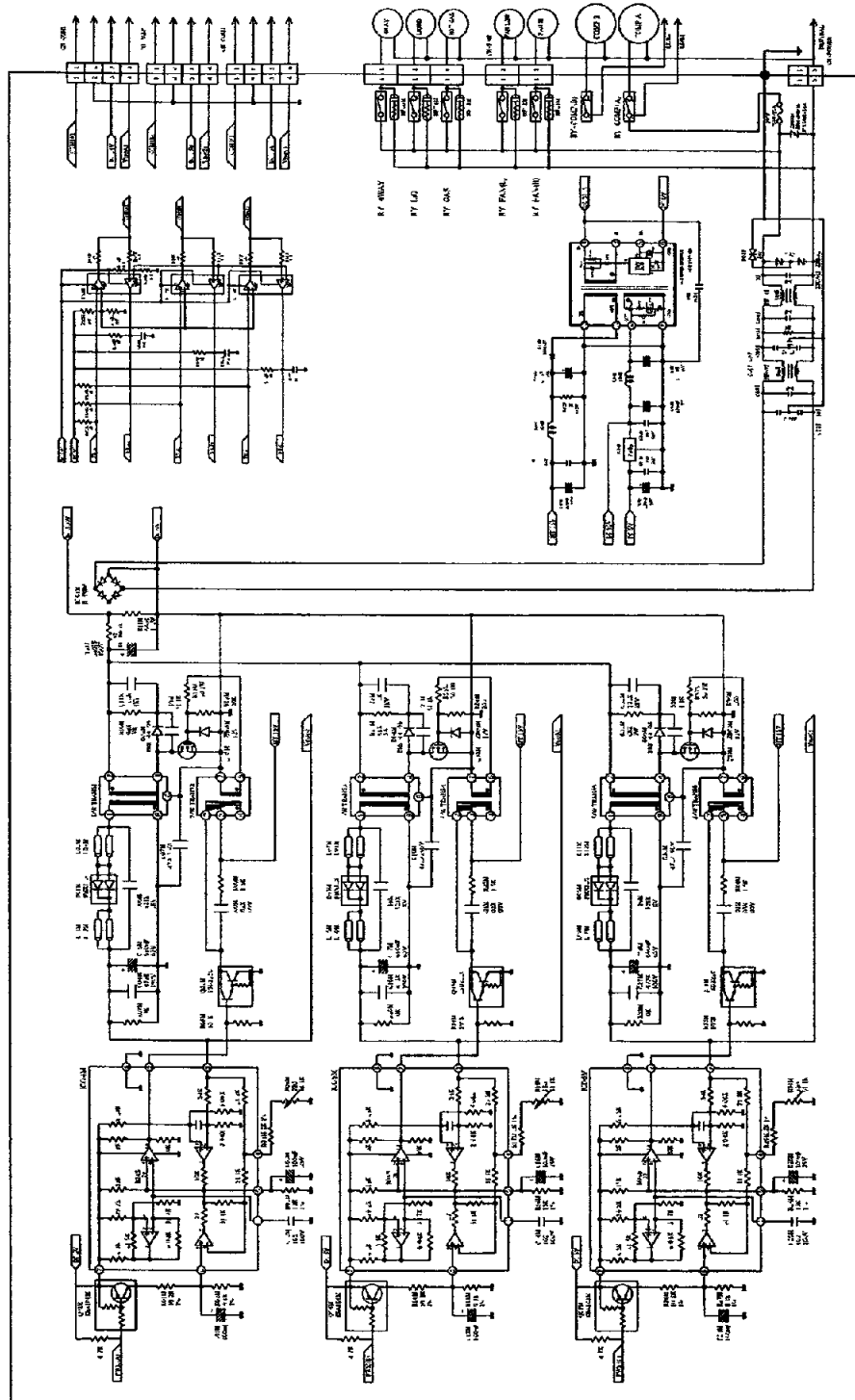
Schematic Diagram

Indoor Unit



Outdoor Unit





Functions

Indoor Unit

Operation ON/OFF by Remote controller

Sensing the Room Temperature

- Room temperature sensor. (THERMISTOR)

Room temperature control

- Maintains the room temperature in accordance with the Setting Temp.

Starting Current Control

- Indoor fan is delayed for 5 seconds at the starting.

Time Delay Safety Control

- Restarting is inhibited for approx. 3 minutes.

Indoor Fan Speed Control

- High, Med, Low, Chaos

Operation indication Lamps (LED)

- Ⓛ --- Lights up in operation
- ☆ --- Lights up in Sleep Mode
- ⌚ --- Lights up in Timer Mode
- ✱
0 --- Lights up in Deice Mode(for Heat pump model)
- OUT
DOOR --- Lights up in Compressor operation(for Cooling model)

Health Dehumidification Operation

- Intermittent operation of fan at low speed.

Sleep Mode Auto Control

- The fan is switched to low(Cooling), med(Heating) speed.
- The unit will be stopped after 1, 2, 3, 4, 5, 6, 7 hours.

Natural Air Control by CHAOS Logic

- The fan is switched to intermittent or irregular operation
- The fan speed is automatically switched from high to low speed.

Airflow Direction Control

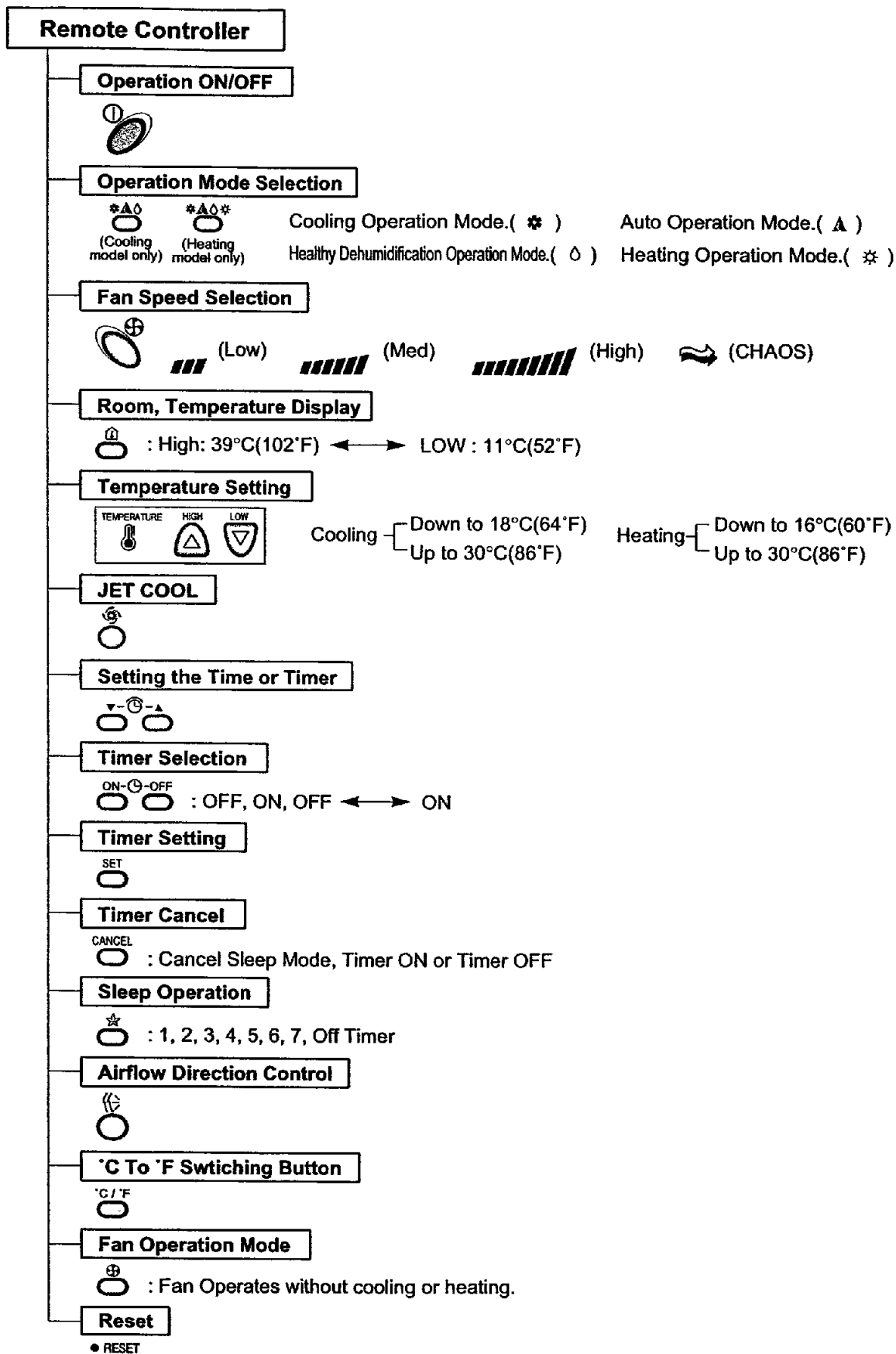
- The louver can be set at the desired position or swing up and down automatically.

Deice (defrost) control (Heating)

- Both the indoor and outdoor fan stops during deicing.
- Hot start after deice ends.

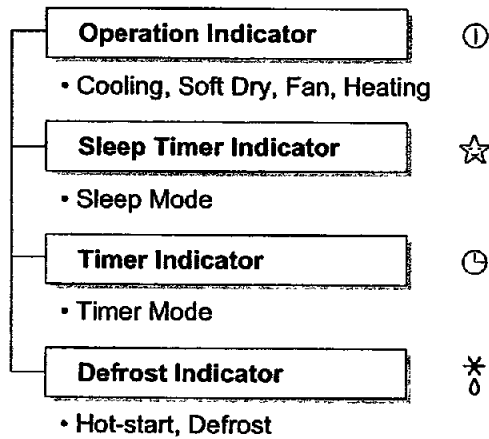
Hot-start Control (Heating)

- The indoor fan stops until the evaporator piping temperature will be reached at 28°C.

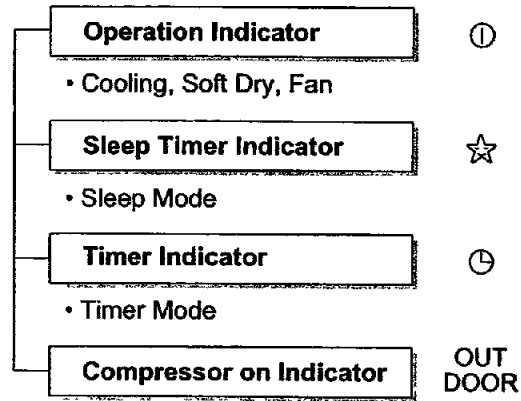


Display Function

1. Heating Model



2. Cooling Model



Self-diagnosis Function

■ Error Indicator

- The function is to self-diagnosis airconditioner and express the troubles identifiably if there is any trouble.
- Error mark is ON/OFF for the operation LED of evaporator body in the same manner as the following table.
- If more than two troubles occur simultaneously, primarily the highest trouble fo error code is expressed.
- After error occurrence, if error is released, error LED is also released simultaneously.
- To operate again on the occurrence of error code 12, be sure to pull out power cord and then re-insert.
- Having or not of error code is different from Model.

Error Code	Error LED (Indoor body operation LED)	Error contents	SVC check point
1	(once) 3sec 3sec 3sec	<ul style="list-style-type: none"> • Indoor suction temperature thermistor open/short. • Indoor pipe temperature thermistor open/short. 	<ul style="list-style-type: none"> • Indoor TH ass'y check
2	(twice) 3sec 3sec	<ul style="list-style-type: none"> • Outdoor suction temperature thermistor open/short. • Outdoor pipe temperature thermistor open/short. 	<ul style="list-style-type: none"> • Outdoor TH ass'y check
3	(3times) 3sec 3sec	<ul style="list-style-type: none"> • Abnormal operation of multi product. (Simultaneous operation of cooling and heating) 	<ul style="list-style-type: none"> • Resetting of remocon operating mode
5	(5times) 3sec	<ul style="list-style-type: none"> • Poor communication 	<ul style="list-style-type: none"> • Communication line/circuit check
8	(8times) 3sec	<ul style="list-style-type: none"> • Indoor fan lock 	<ul style="list-style-type: none"> • Check indoor fan motor and outdoor PCB ass'y

Operation Details

Main Unit Function

1) C/O Model

Operation Indicator

- On while in appliance operation, off while in appliance pause
- Flashing while in disconnection or short in Thermistor (3 sec off / 0.5 sec on)

Sleep Timer Indicator

- On while in sleep timer mode, off when sleep timer cancel or appliance operation pause

Timer Indicator

- On while in timer mode (on/off), off when timer mode is completed or canceled.

Comp. Running Indicator

- While in appliance operation, on while in outdoor unit compressor running, off while in compressor off

2) H/P Model

Operation Indicator

- On while in appliance operation, off while in appliance pause
- Flashing while in disconnection or short in Thermistor (3 sec off / 0.5 sec on)

Sleep Timer Indicator

- On while in sleep timer mode, off when sleep timer cancel or appliance operation pause

Timer Indicator

- On while in timer mode (on/off), off when timer mode is completed or canceled

Defrost Indicator

- Off except when hot start during heating mode operation or while in defrost control

■ Cooling Mode Operation

- When the intake air temperature reaches 0.5°C below the setting temp, the compressor and the outdoor fan stop.
- When it reaches 0.5°C above the setting temp, they start to operate again.

Compressor ON Temp	○ Setting Temp+0.5°C
Compressor OFF Temp	○ Setting Temp-0.5°C
- While in compressor running, operating with the airflow speed set by the remote control. While in compressor not running, operating with the low airflow speed regardless of the setting.

■ Healthy Dehumidification Mode

- When the dehumidification operation input by the remote control is received, the intake air temperature is detected and the setting temp is automatically set according to the intake air temperature.

26°C(79°F) ≤ Intake Air Temp	○ 25°C(77°F)
24°C(75°F) ≤ Intake Intake Air Temp < 26°C(79°F)	○ Intake Air Temp - 1°C(34°F)
18°C(64°F) ≤ Intake Intake Air Temp < 24°C(75°F)	○ Intake Air Temp - 0.5°C(33°F)
Intake Air Temp < 18°C	○ 18°C(64°F)

- While in compressor off, the indoor fan repeats low airflow speed and pause.
- While the intake air temp is between compressor on temp. and compressor off temp., 10-min dehumidification operation and 4-min compressor off repeat.
Compressor ON Temp. ◯ Setting Temp+0.5°C
Compressor OFF Temp. ◯ Setting Temp-0.5°C
- In 10-min dehumidification operation, the indoor fan operates with the low airflow speed.

■ Heating Mode Operation(H/P model)

- When the intake air temp reaches +3°...above the setting temp, the compressor is turned off. When below the setting temp, the compressor is turned on.
Compressor ON Temp. ◯ Setting Temp.
Compressor OFF Temp. ◯ Setting Temp.+3°C
- While in compressor on, the indoor fan is off when the indoor pipe temp. is below 20°C(68°F), when above 28°C(82°F) , it operates with the low or setting airflow speed. When the indoor pipe temp is between 20°C (68°F)and 28°C(82°F), it operates with Super-Low(while in sleep mode, with the medium airflow speed).
- While in compressor off, the indoor fan is off when the indoor pipe temp is below 33°C(91°F), when above 35°C(95°F) , it operates with the low airflow speed.
- If overloaded while in heating mode operation, in order to prevent the compressor from OLP operation, the outdoor fan is turned on/off according to the indoor pipe temp.
- While in defrost control, both of the indoor and outdoor fans are turned off.

■ Defrost Control(H/P model)

- Defrost operation is controlled by timer and sensing temperature of outdoor pipe.
- The first defrost starts only when the outdoor pipe temperature falls below -6°C after 45 minutes passed from starting of heating operation and more than 10 minutes operation of compressor.
- Defrost ends after 9/6 minutes passed from starting of defrost operation or after the outdoor fan operates within max. 2 minutes 30 seconds when the outdoor pipe temperature rises over 12°C even it before 12 minutes.
- The second defrost starts only when the outdoor pipe temperature falls below -6°C after 45 minutes passed from ending of the first defrost and more than 10 minutes operation of compressor.

■ Heating overload(H/P models)

- Outdoor fan ON/OFF by sensing outdoor pipe temperature.
- Outdoor fan is OFF if pipe temperature is over 6.5°C and outdoor fan is ON if pipe temperature is below 0°C.
- Outdoor fan is off if any one part is heating overload condition.

■ Airflow Speed Selection

- The airflow speed of the indoor fan is set to high, medium, low, or chaos (auto) by the input of the airflow speed selection key on the remote control.

■ On-Timer Operation

- When the set time is reached after the time is input by the remote control, the appliance starts to operate.
- The timer LED is on when the on-timer is input. It is off when the time set by the timer is reached.
- If the appliance is operating at the time set by the timer, the operation continues.

■ Off-Timer Operation

- When the set time is reached after the time is input by the remote control, the appliance stops operating.
- The timer LED is on when the off-timer is input. It is off when the time set by the timer is reached.
- If the appliance is on pause at the time set by the timer, the pause continues.

■ Off-Timer \Leftrightarrow On-Timer Operation

- When the set time is reached after the on/off time is input by the remote control, the on/off-timer operation is carried out according to the set time.

■ Sleep Timer Operation

- When the sleep time is reached after <1,2,3,4,5,6,7,0(cancel) hr> is input by the remote control while in appliance operation, the operation of the appliance stops.
- While the appliance is on pause, the sleep timer mode cannot be input.
- While in cooling mode operation, 30 min later since the start of the sleep timer, the setting temperature increases by 1°C. After another 30 min elapse, it increases by 1°C again.
- When the sleep timer mode is input while in cooling cycle mode, the airflow speed of the indoor fan is set to the low.
- When the sleep timer mode is input while in heating cycle mode, the airflow speed of the indoor fan is set to the medium.

■ Chaos Swing Mode

- By the Chaos Swing key input, the upper/lower vane automatically operates with the Chaos Swing or they are fixed to the desired direction.
- While in Chaos Swing mode, the angles of cooling and heating cycle operations are different.

■ Chaos Natural Wind Mode

- When the Chaos Natural Wind mode is selected and then operated, the high, medium, or low speed of the airflow mode is operated for 2~15 sec. randomly by the Chaos Simulation.

■ Jet Cool Mode Operation (C/O Model)

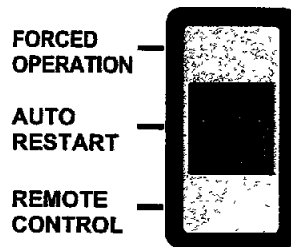
- If the Jet Cool key is input at any operation mode while in appliance operation, the Jet Cool mode operates.
- In the Jet Cool mode, the indoor fan is operated at super-high speed for 30 min at cooling mode operation.
- In the Jet Cool mode operation, the room temperature is controlled to the setting temperature, 18°C
- When the sleep timer mode is input while in the Jet Cool mode operation, the Jet Cool mode has the priority.
- When the Jet Cool key is input, the upper/lower vanes are reset to those of the initial cooling mode and then operated in order that the air outflow could reach further.

■ Jet Cool Mode Operation (H/P Model)

- While in heating mode or Fuzzy operation, the Jet Cool key cannot be input. When it is input while in the other mode operation (cooling, dehumidification, ventilation), the Jet Cool mode is operated.
- In the Jet Cool mode, the indoor fan is operated at super-high speed for 30 min at cooling mode operation.
- In the Jet Cool mode operation, the room temperature is controlled to the setting temperature, 18°C.
- When the sleep timer mode is input while in the Jet Cool mode operation, the Jet Cool mode has the priority.
- When the Jet Cool key is input, the upper/lower vanes are reset to those of the initial cooling mode and then operated in order that the air outflow could reach further.

■ Auto Restarting Operation

- When the power is restored after a sudden power failure while in appliance operation, the mode before the power failure is kept on the memory and the appliance automatically operates in the mode on the memory.
- The slide switch on the main unit of the appliance should be on the Auto Restarting position in order that the Auto Restarting operation is available.
- Operation Mode that is kept on the memory
 - State of Operation ON/OFF
 - Operation Mode/Setting Temp/Selected Airflow Speed
 - Sleep Timer Mode/Remaining Time of Sleep Timer (unit of hour)



Slide Switch

■ Forced Operation (C/O Model)

- To operate the appliance by force in case that the remote control is lost, the forced operation selection switch is on the main unit of the appliance to operate the appliance in the standard conditions.
- When the power is supplied while the slide switch is on the forced operation position, or when the slide switch position is switched to the Auto Restarting position (or test operation) or switched from the remote control position to the forced operation position while the power is on, the forced operation is carried out.
- When the slide switch position is switched from the forced operation position to the Auto Restarting position or the remote control position, the forced operation is canceled and the appliance stops operating.
- The forced operation is carried out in cooling mode with the setting temperature 22°C and the high speed of airflow.
- While in forced operation, the key input by the remote control has no effect and the buzzer sounds 10 times to indicate the forced operation.

■ Forced Operation (H/P Model)

- To operate the appliance by force in case that the remote control is lost, the forced operation selection switch is on the main unit of the appliance to operate the appliance in the standard conditions.
- When the power is supplied while the slide switch is on the forced operation position, or when the slide switch position is switched to the Auto Restarting (or test operation) position or switched from the remote control position to the forced operation position while the power is on, the forced operation is carried out.
- When the slide switch position is switched from the forced operation position to the Auto Restarting position or the remote control position, the forced operation is canceled and the appliance stops operating.
- The forced operation is carried out in cooling mode with the setting temperature 22°C and the high speed of airflow.
- In the forced operation mode, the indoor fan is operated at low speed for around 15 sec and then the operation condition is set according to the intake air temperature as follows.
 - 24°C ≤ Intake Air Temp ◯ Cooling Mode Operation, 22°C, High Speed
 - 21°C ≤ Intake Air Temp < 24°C ◯ Dehumidification Operation, 23°C, High Speed
 - Intake Air Temp < 21°C ◯ Heating Mode Operation, 24°C, High Speed
- While in forced operation, the key input by the remote control has no effect and the buzzer sounds 10 times to indicate the forced operation.

■ **Remote Control Operation Mode**

- When the remote control is selected by the slide switch on the main unit, the appliance operates according to the input by the remote control.

■ **Protection of the evaporator pipe from frosting**

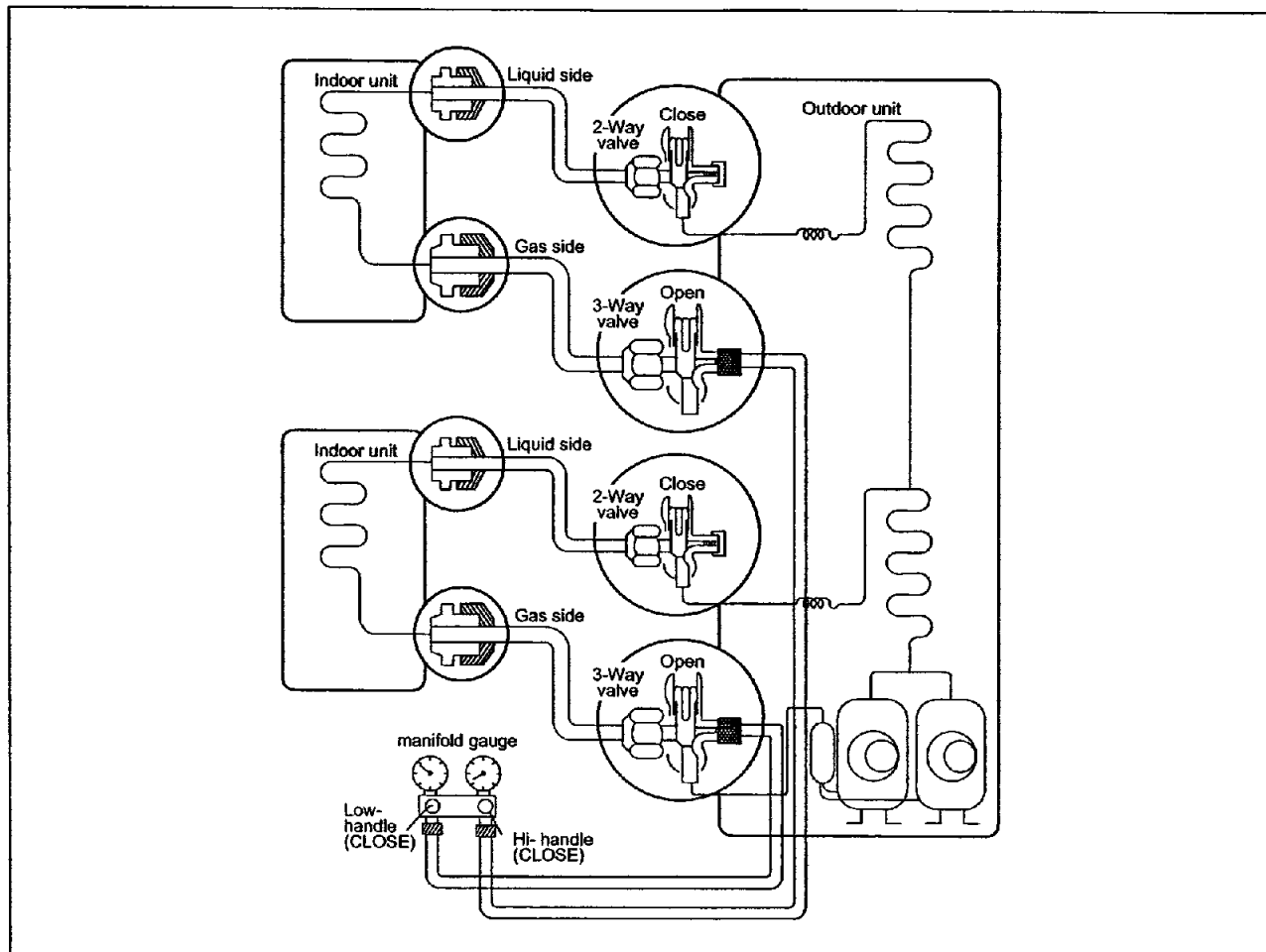
- If the indoor pipe temp is below 0°C(32°F) in 7 min. after the compressor operates without any pause while in cooling cycle operation mode, the compressor and the outdoor fan are turned off in order to protect the indoor evaporator pipe from frosting.
- When the indoor pipe temp is 7°C(45°F) or higher after 3 min. pause of the compressor, the compressor and the outdoor fan is turned on according to the condition of the room temperature.

■ **Buzzer Sounding Operation**

- When the appliance-operation key is input by the remote control, the short "beep-beep-" sounds.
- When the appliance-pause key is input by the remote control, the long "beep—" sounds.
- When a key is input by the remote control while the slide switch on the main unit of the appliance is on the forced operation position, the error sound "beep-beep-beep-beep-beep-" is made 10 times to indicate that the remote control signal cannot be received.

2-way, 3-way Valve

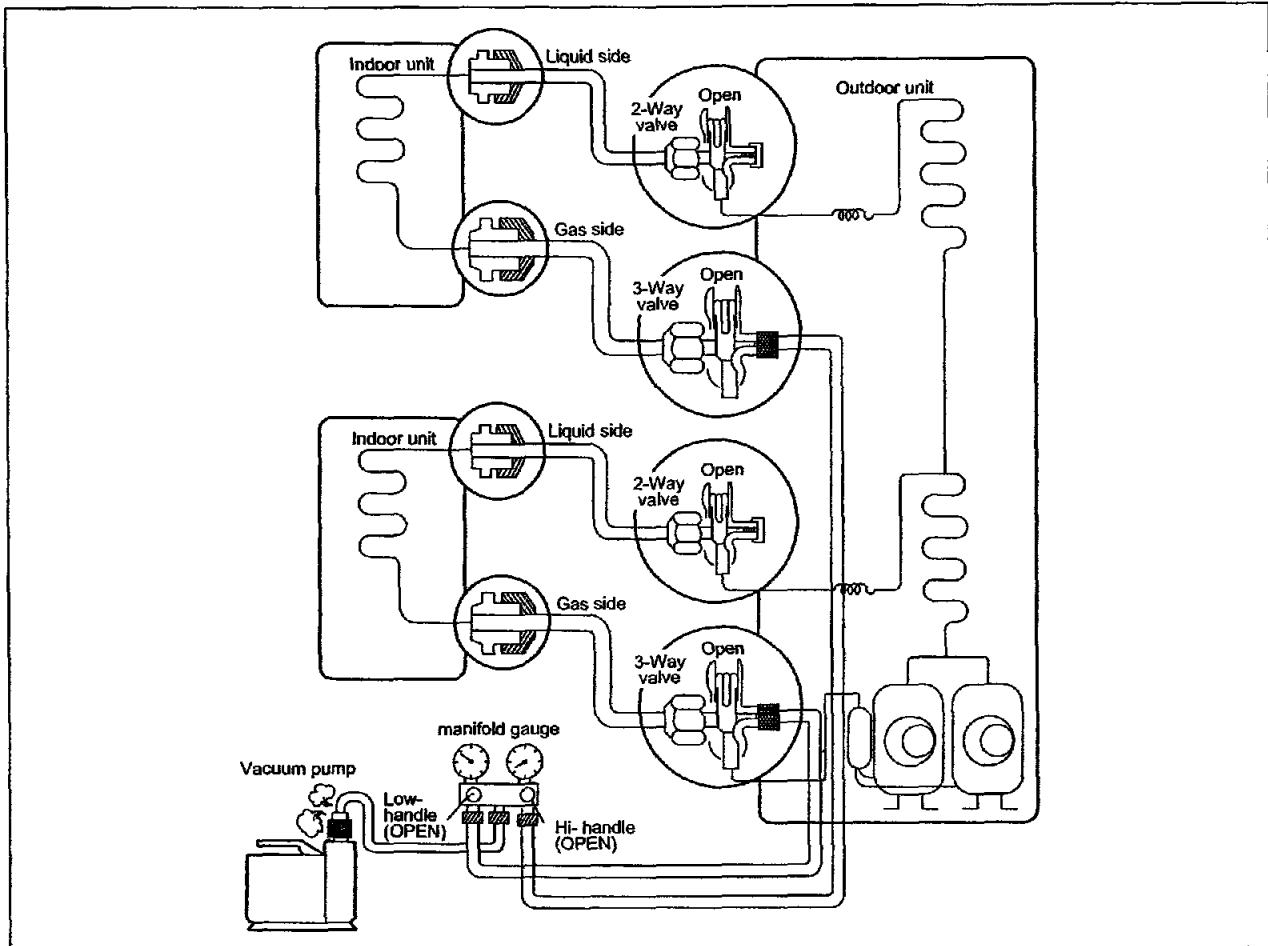
		2-way Valve (Liquid Side)	3-way Valve (Gas Side)	
Works		Shaft position	Shaft position	Service port
Shipping		Closed (with valve cap)	Closed (with valve cap)	Closed (with cap)
1.	Air purging (Installation)	Open (counter-clockwise)	Closed (clockwise)	Open (push-pin or with vacuum pump)
Operation		Open (with valve cap)	Open (with valve cap)	Closed (with cap)
2.	Pumping down (Transferring)	Closed (clockwise)	Open (counter-clockwise)	Open (connected manifold gauge)
3.	Evacuation (Servicing)	Open	Open	Open (with charging cylinder)
4.	Gas charging (Servicing)	Open	Open	Open (with charging cylinder)
5.	Pressure check (Servicing)	Open	Open	Open (with charging cylinder)
6.	Gas releasing (Servicing)	Open	Open	Open (with charging cylinder)

(1) Pumping down**• Procedure**

- 1. Confirm that both the gas side and liquid side valves are set to the open position.**
 - Remove the valve stem caps and confirm that the valve stems are in the raised position.
 - Be sure to use a hexagonal wrench to operate the valve stems.
- 2. Operate the unit for 10 to 15 minutes.**
- 3. Stop operation and wait for 3 minutes, then connect the manifold gauge to the service port of the gas side valve.**
 - Connect the hose of the gauge with the push pin to the service port.
- 4. Air purging of the charge hose.**
 - Open the Low-handle valve on the gauge slightly to air purge from the hose.
- 5. Set the liquid side valve to the closed position.**
- 6. Operate the air conditioner at the cooling cycle and stop it when the gauge indicates 1kg/cm²g.**
- 7. Immediately set the gas side valve to the closed position.**
 - Do this quickly so that the gauge ends up indicating 1kg/cm²g.
- 8. Disconnect the charge set, and mount the liquid side and gas side valve caps and the service port nut.**
 - Use torque wrench to tighten the service port nut to a torque of 1.8kg.m.(4.2kg*m/5.5kg*m)
 - Be sure to check for gas leakage.

(2) Evacuation

(All amount of refrigerant leaked)

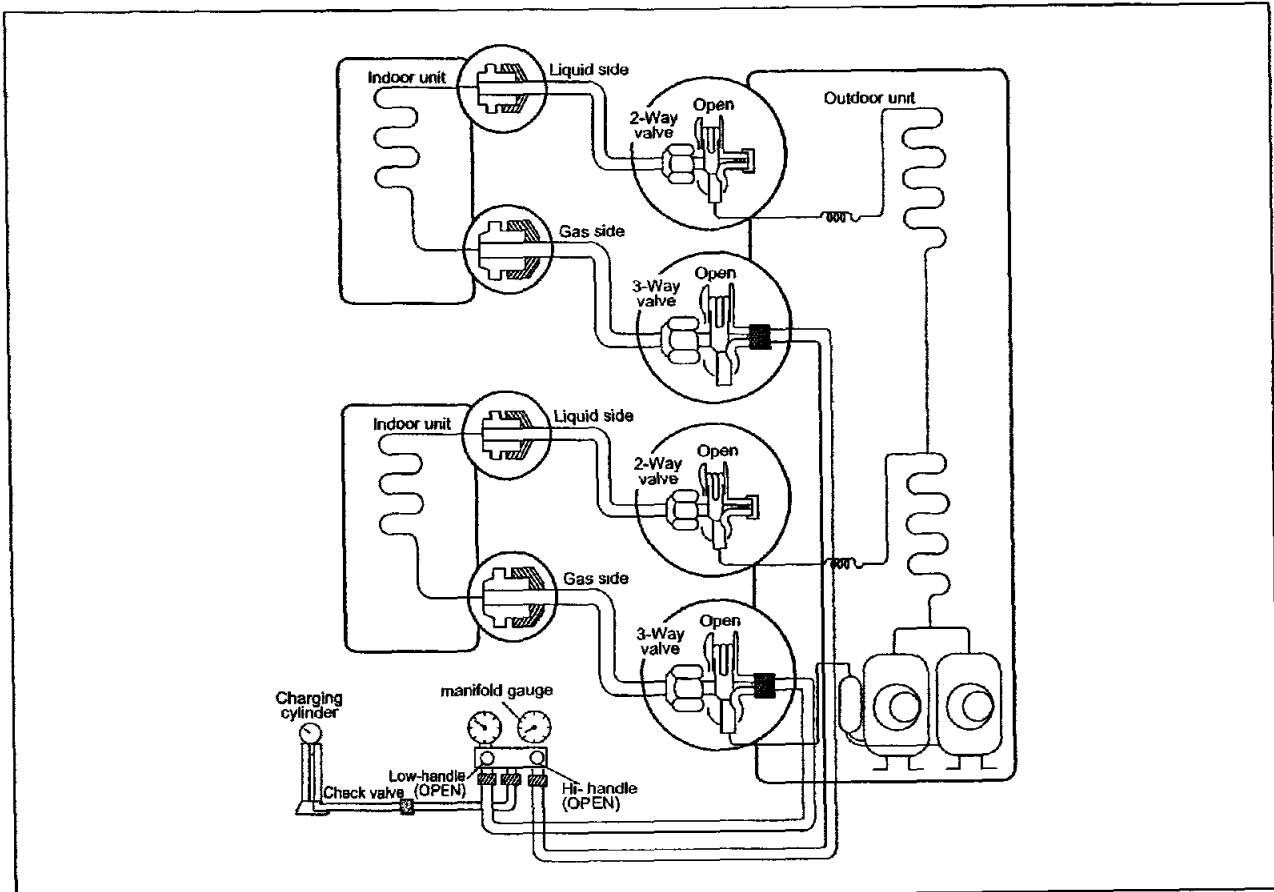


• Procedure

1. Confirm that both the liquid side valve and gas side valve are set to the opened position.
2. Connect the vacuum pump to the center hose of the manifold gauge.
3. Connect the service port of the gas side valve to the low side of the gauge.
4. Connect power supply to outdoor unit.
5. Evacuation for approximately one hour.
 - Confirm that the gauge needle has moved toward -76 cmHg (vacuum of 4 mmHg or less).
6. Close the Low handle of the gauge turn off the vacuum pump, and confirm that the gauge needle does not move (approximately 5 minutes after turning off the vacuum pump).
7. Disconnect the charge hose from the vacuum pump.
 - Vacuum pump oil.
 - If the vacuum pump oil becomes dirty or depleted, replenish as needed.
8. Mount the valve caps and the service port caps.

(3) Gas Charging

(After Evacuation)



• Procedure

1. Connect the gauge to the charging cylinder.

- Connect the charge hose which you disconnected from the vacuum pump to the valve at the bottom of the cylinder.
- If you are using a gas cylinder, also use a scale and reverse the cylinder so that the system can be charged with liquid.

2. Purge the air from the charge hose.

- Open the valve at the bottom of the cylinder and press the check valve on the charge set to purge the air. (Be careful of the liquid refrigerant). The procedure is the same if using a gas cylinder.

3. Open the low handle on the gauge and charge the system with liquid refrigerant.

- If the system can not be charged with the specified amount of refrigerant, it can be charged with a little at a time (approximately 150g each time) while operating the air conditioner in the cooling cycle; however, one time is not sufficient, wait approximately 1 minute and then repeat the procedure (pumping down-pin).

4. Immediately disconnect the charge hose from the gas side valve's service port.

This is different from previous procedures. Because you are charging with liquid refrigerant from the gas side, absolutely do not attempt to charge with larger amounts of liquid refrigerant while operating the air conditioner.

- Stopping partway will allow the gas to be discharged.
- If the system has been charged with liquid refrigerant while operating the air conditioner turn off the air conditioner before disconnecting the hose.

5. Mount the valve stem nuts and the service port nut.

- Use torque wrench to tighten the service port nut to a torque of 1.8 kg.m.(1561b.in)
(4.2kg.m./5.5kg.m.;36516.in/4771b.in)
- Be sure to check for gas leakage.

Cycle Troubleshooting Guide

Trouble analysis

1. Check temperature difference between intake and discharge air and operating current.

Temp. Difference	Temp. difference : approx. 0°C(32°F) Current : less than 80% of rated current	All amount of refrigerant leaked out. Check refrigeration cycle.
	Temp. difference : approx. 8°C(46°F) Current : less than 80% of rated current	Refrigerant leakage Clog of refrigeration cycle Defective compressor
Operating Current	Temp. difference : less than 8°C(46°F) Current : over the rated current	Excessive amount of refrigerant
	Temp. difference : over 8°C(46°F)	Normal

Notice:

Temperature difference between intake and discharge air depends on room air humidity. When the room air humidity is relatively higher, temperature difference is smaller. When the room air humidity is relatively lower temperature difference is larger.

2. Check temperature and pressure of refrigeration cycle.

Suction pressure (Compared with the normal value)	Temperature (Compared with the normal value)	Cause of Trouble	Description
Higher	High	Defective compressor Defective 4-way reverse valve	Current is low.
	Normal	Excessive amount of refrigerant	High pressure does not quickly rise at the beginning of operation.
Lower	Higher	Insufficient amount of refrigerant(Leakage)	Current is low.
		Clogging	Current is low.

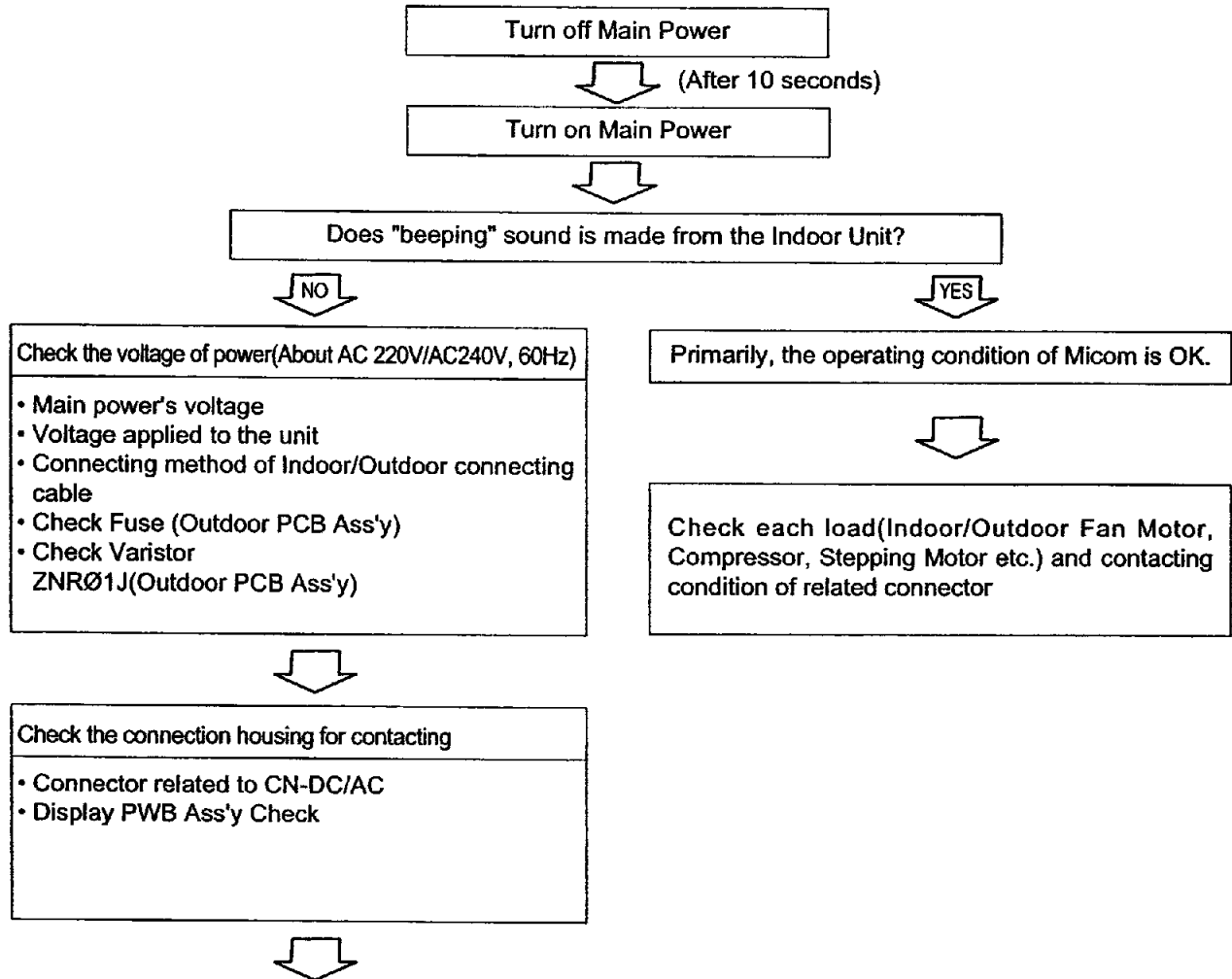
Notice:

1. The suction pressure is usually 4.5–6.0 kg/cm²G (145~1661b/in².G) at normal condition.
2. The temperature can be measured by attaching the thermometer to the low pressure tubing and wrap it with putty.

Electronic Parts Troubleshooting Guide

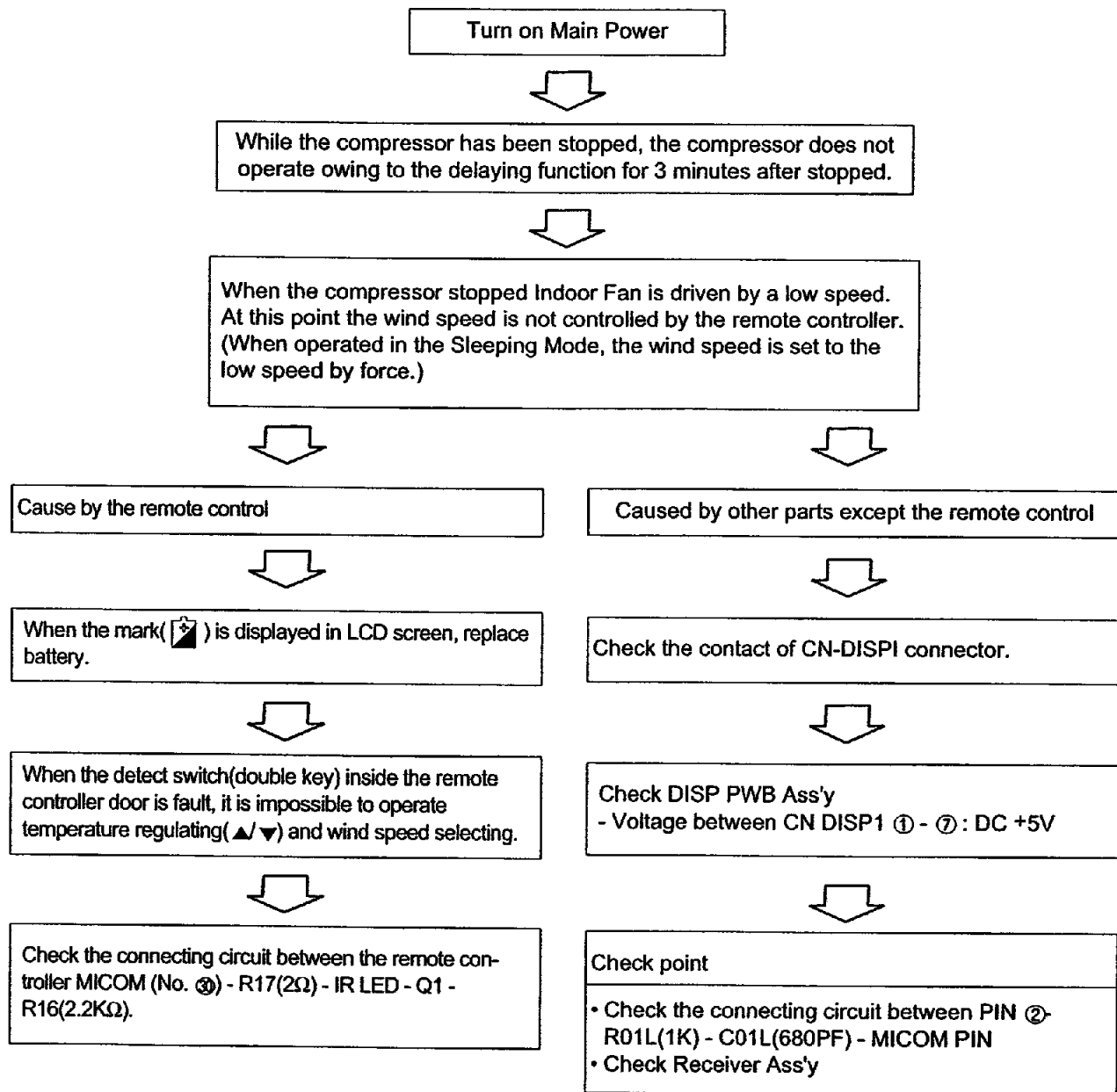
1. The Outdoor Unit does not operate at all

(* Refer to Electronic Control Device drawing and Schematic diagram.)

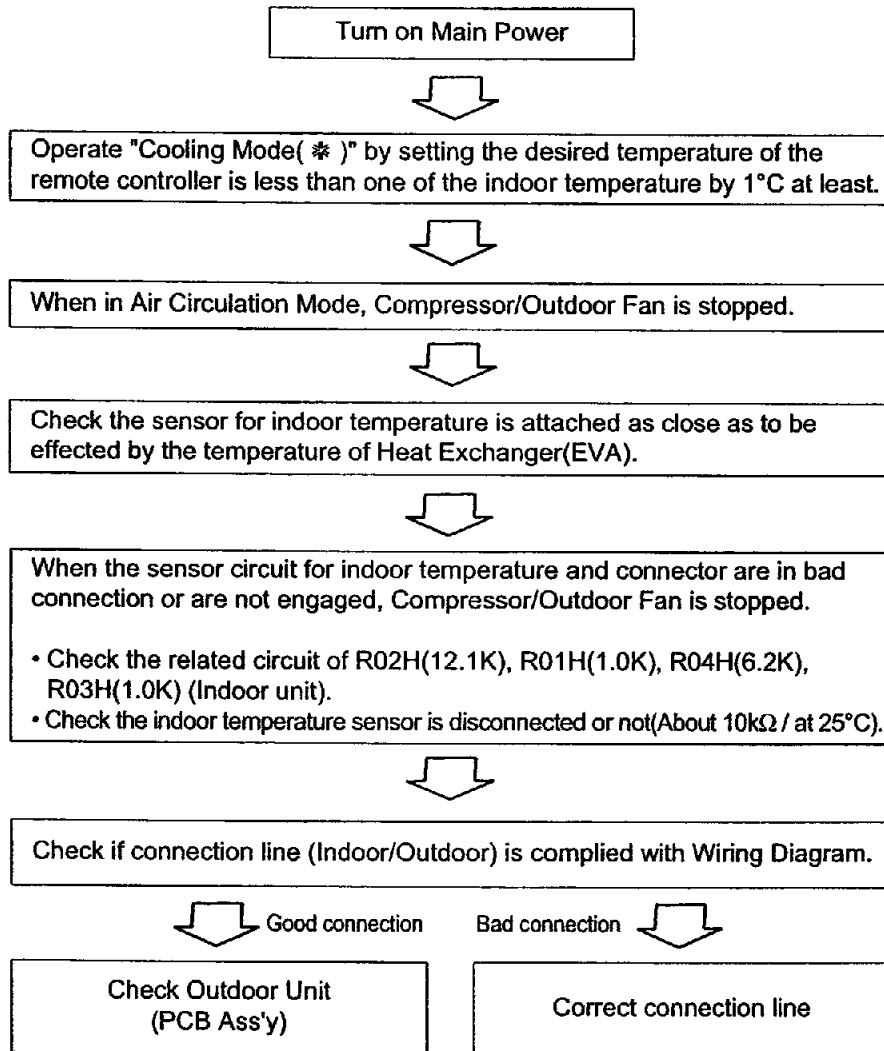


PCB Board Operation Check		
Items	Content	Remedy
<ul style="list-style-type: none"> • Power Transformer (Outdoor unit) - Input Voltage - Output Voltage 	<ul style="list-style-type: none"> - About AC220V/240V±10% - Check the power voltage - About AC14±3V 	<ul style="list-style-type: none"> • Replace Trans
<p style="text-align: center;">↓</p> <ul style="list-style-type: none"> • IC01D(7812) Output (Indoor/Outdoor unit) 	<ul style="list-style-type: none"> • DC +12V 	<ul style="list-style-type: none"> • Replace IC01D
<p style="text-align: center;">↓</p> <ul style="list-style-type: none"> • IC02D(7805) Output (Indoor/Outdoor unit) 	<ul style="list-style-type: none"> • DC +5V 	<ul style="list-style-type: none"> • Replace IC02D
<p style="text-align: center;">↓</p> <ul style="list-style-type: none"> • IC01A(KIA7036, Reset IC) X01(8MHz) 	<ul style="list-style-type: none"> • Voltage of Micom No. 2, (DC +4.5V over) and Soldering condition. 	<ul style="list-style-type: none"> • Replace faulty parts

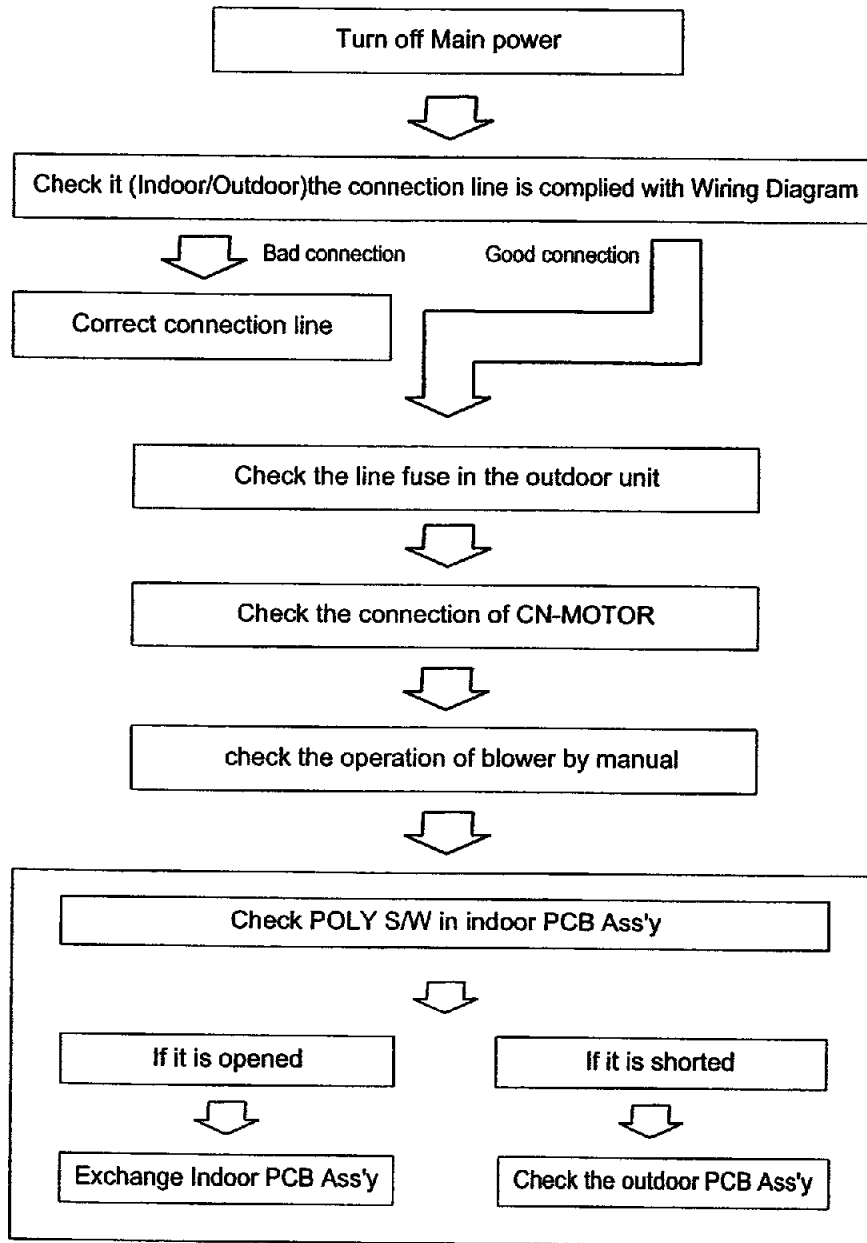
2. The product is not operate with the remote control



3. When cooling does not operate



4. When indoor Fan does not operate (or CN/MOTOR)



5. When Vertical Louver does not operate

- Confirm that the Vertical Louver is normally geared with the shaft of Stepping Motor.
- If the regular torque is detected when rotating the Vertical Louver with hands ⇒ Normal



- Check the connecting condition of CN-U/D Connector
- Check the soldering condition(on PWB) of CN-U/D Connector



Check the operating circuit of the Vertical Louver

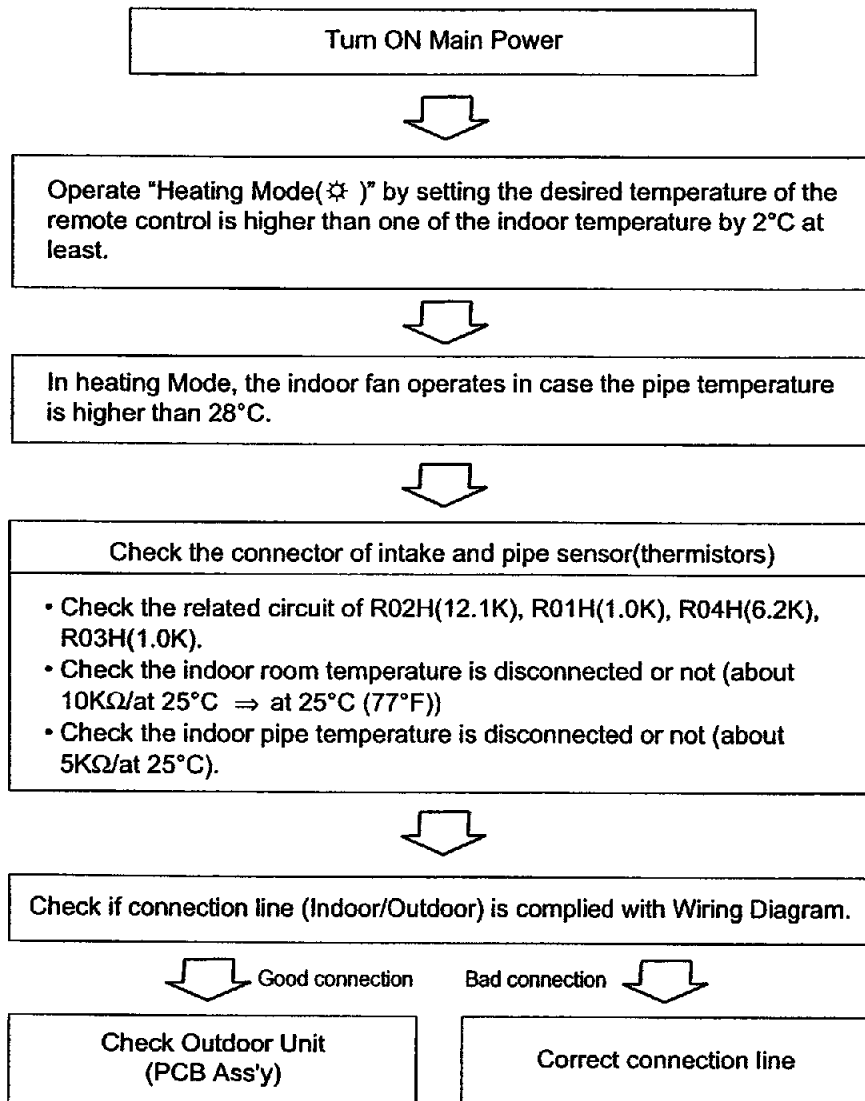
- Confirm that there is DC +12V between pin ①(RED) of CN-U/D and GND.



If there are no problems after above checks

- Confirm the assembly conditions that are catching and interfering parts in the rotation radial of the Vertical Louver

6. When Heating does not operate



7. Outdoor unit does not operate

Check Outdoor Unit



PCB Board Operation Check in Outdoor				
Items	Content	Remedy		
<ul style="list-style-type: none"> • Power Transformer (Outdoor unit) - Input Voltage - Output Voltage 	<ul style="list-style-type: none"> - About AC220V/240V±10% - Check the power voltage - About AC14±3V • DC +12V • DC +5V 	<ul style="list-style-type: none"> • Replace Trans • Replace IC01D • Replace IC02D • Replace faulty parts 		
↓				
<ul style="list-style-type: none"> • IC01D(7812) Output (Indoor/Outdoor unit) 				
↓				
<ul style="list-style-type: none"> • IC02D(7805) Output (Indoor/Outdoor unit) 				
↓				
<ul style="list-style-type: none"> • IC01A(KIA7036, Reset IC) X01(8MHz) 				



Turn off Main Power



- Check the electrical wiring diagram of outdoor side.
- Check the abnormal condition for the component of Compressor/Outdoor Fan Motor/4-way.
- Check the "open" or "short" of connecting wires between indoor and outdoor.

8. Communication error

- The control data can be transmitted or received between indoor and outdoor unit with one signal cable.
- If the data be disturbed by any noise level and misconnection, the unit will be operated incorrectly. In this case, the indoor unit blinks the operation and operation LED on display and indoor fan, outdoor fan, COMP are not operated.
- The unit can be reoperated by On/Off control of Remocon.

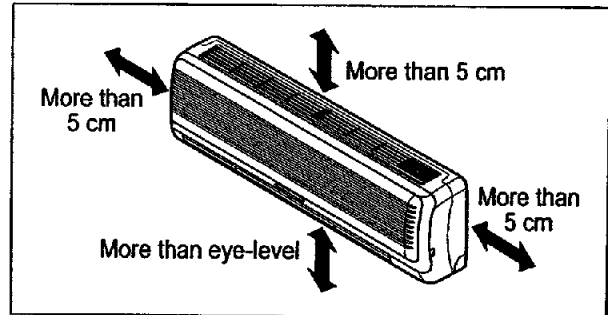
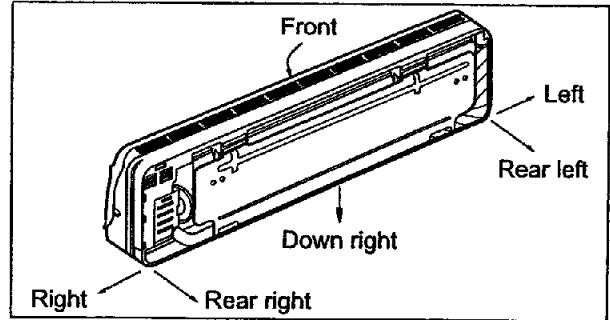
Installation

(1) Installation of Indoor, Outdoor Unit

1) Selection of the best location

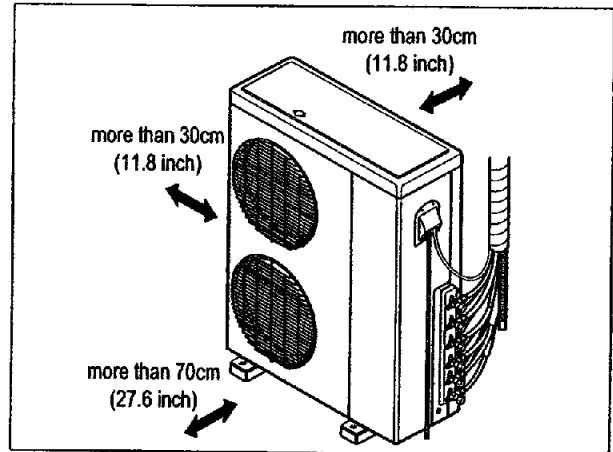
1. Indoor unit

- There should not be any heat source or steam near the unit.
- There should not be any obstacles to prevent the air circulation.
- A place where air circulation in the room will be good.
- A place where drainage can be easily obtained.
- A place where noise prevention is taken into consideration.
- Do not install the unit near the door way.
- Ensure the spaces indicated by arrows from the wall, ceiling, fence, or other obstacles.



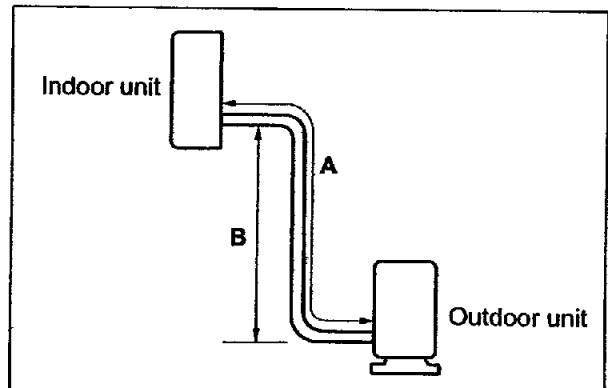
2. Outdoor unit

- If an awning is built over the unit to prevent direct sunlight or rain exposure, be careful that heat radiation from the condenser is not restricted.
- There should not be any animals or plants which could be affected by hot air discharged.
- Ensure the spaces indicated by arrows from the wall, ceiling, fence, or other obstacles.



3. Piping length and the elevation

Pipe Size		Max. piping length A (m/ft)	Max. Elevation B (m/ft)
GAS	LIQUID		
1/2"(3/8")	1/4"	15/1.25	7.5/0.625



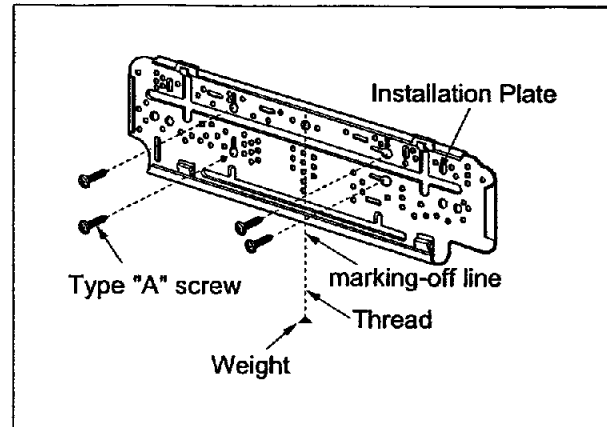
2) Indoor Unit Installation

The mounting wall should be strong and solid enough to protect it from the vibration.

1. Mount the installation plate on the wall with four Type "A" screws.

(If mounting the unit on the concrete wall, consider using anchor bolts.)

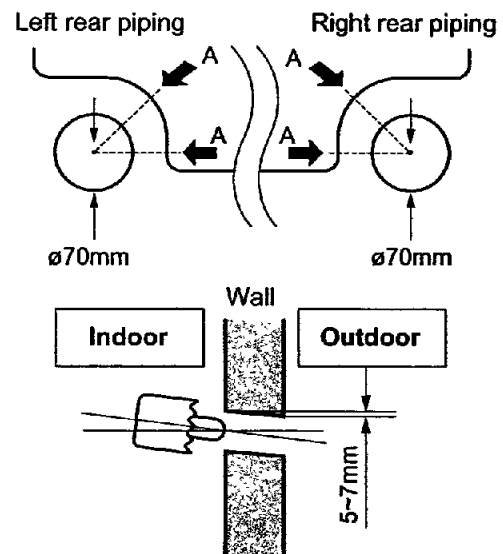
- Always mount the Installation plate horizontally by aligning the marking-off line by means of the thread and a level.



2. Drill the piping hole with 70mm dia. holecore drill.

- Line according to the arrows marked on lower the left and the right side of the Installation Plate. The meeting point of the extended line is the center of the hole.
- Drill the piping hole at either the right or the left and the hole should be slightly slant to the outdoor side.

The lower left and the right side of Installation Plate

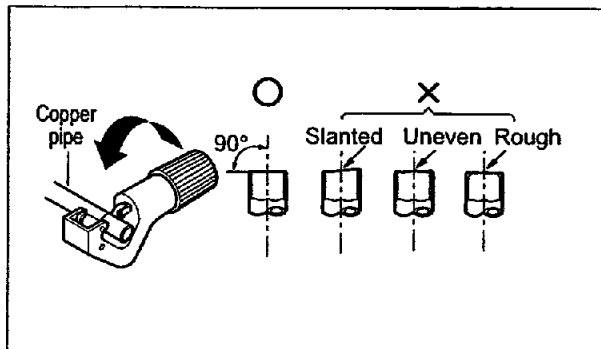


(2) Piping and Drainage of Indoor Unit

1) Preparation of pipings

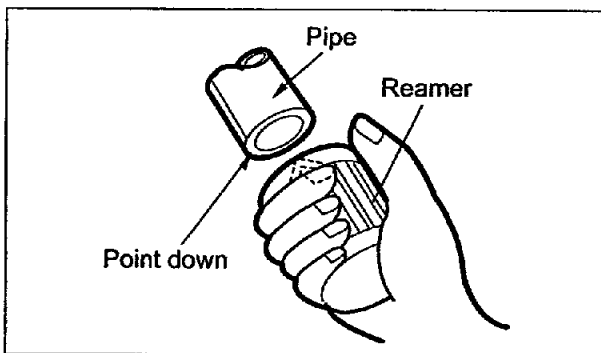
Cut the pipes and the cable.

1. Use the piping kit accessory or the pipes purchased locally.
2. Measure the distance between the indoor and the outdoor unit.
3. Cut the pipes a little longer than measured distance.
4. Cut the cable 1.5m(5.0ft) longer than the pipe length.



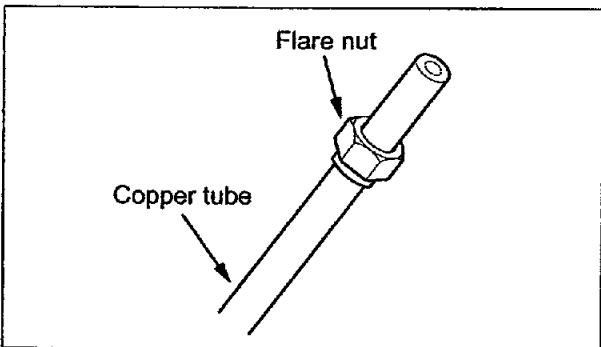
Burrs removal

1. Completely remove all burrs from the cut cross section of pipe/tube.
2. Put the end of the copper tube/pipe in a downward direction as you remove burrs in order to avoid dropping burrs into the tubing.



Putting nut on

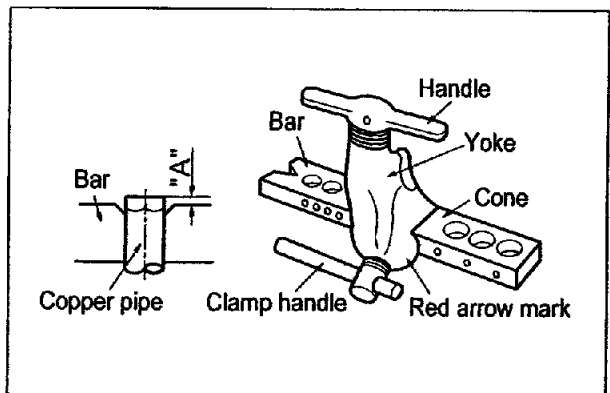
- Remove flare nuts attached to indoor and outdoor unit, then put them on pipe/tube having completed burr removal.
(not possible to put them on after flaring work)



Flaring work

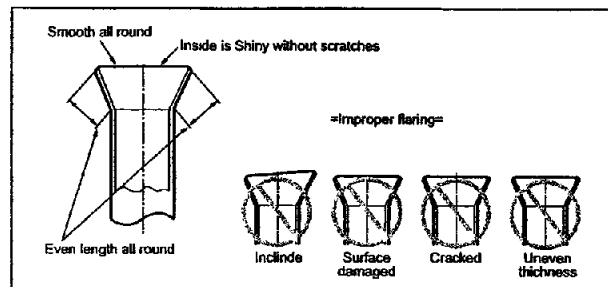
- Carry out flaring work using flaring tool as shown below.
- Firmly hold copper pipe in a die in the dimension shown in the table above.

Outside diameter		A
mm	inch	mm
ø6.35	1/4	0~0.5
ø9.52	3/8	0~0.5
ø12.7	1/2	0~0.5
ø15.88	5/8	0~1.0
ø19.05	3/4	1.0~1.3



Check

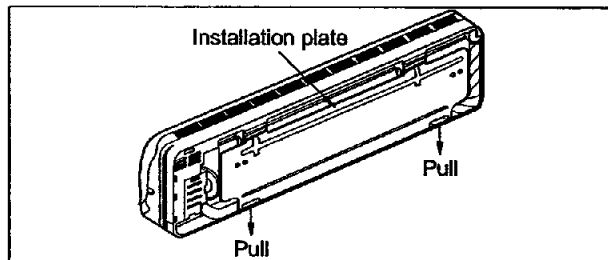
1. Compare the flared work with figure below .
2. If flare is noted to be defective, cut off the flared section and do flaring work again.



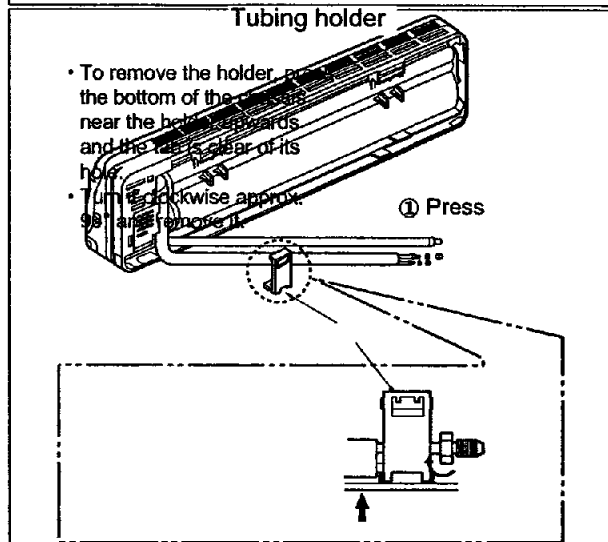
2) Connection of Pipings

1. Remove the installation plate

- Pull the two 'Δ' marked portion of bottom of the chassis and pull the installation plate out of chassis.



2. Route the drain hose and the indoor tubing.



For left rear piping

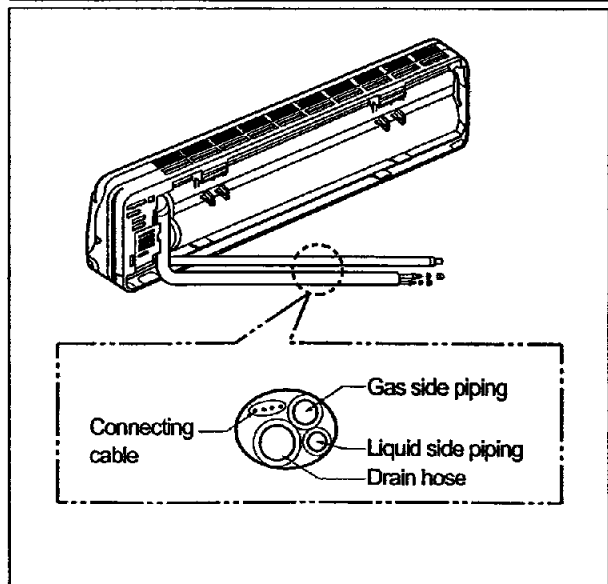
3. Route the tubing and the drain hose straight backwards(see figure).

4. Insert the connecting cable into the indoor unit through the piping hole.

- Do not connect the cable to the indoor unit.
- Make a small loop with the cable for easy connection later.

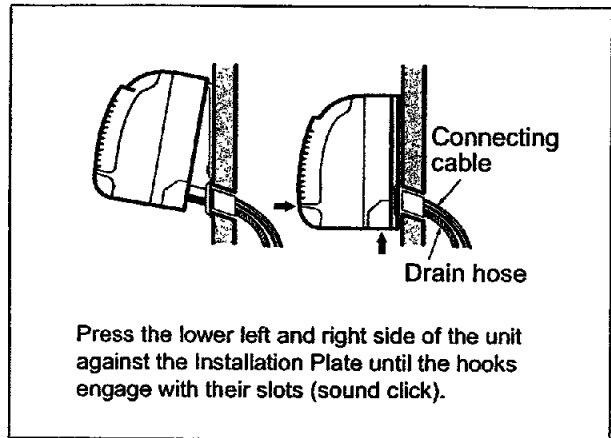
5. Tape the tubing, drain hose and the connecting cable. Be sure that drain hose locates at the lowest side of the bundle.

Locating at the upper side can be a reason that drain water overflows drain pan inside the unit.



6. Indoor unit installation.

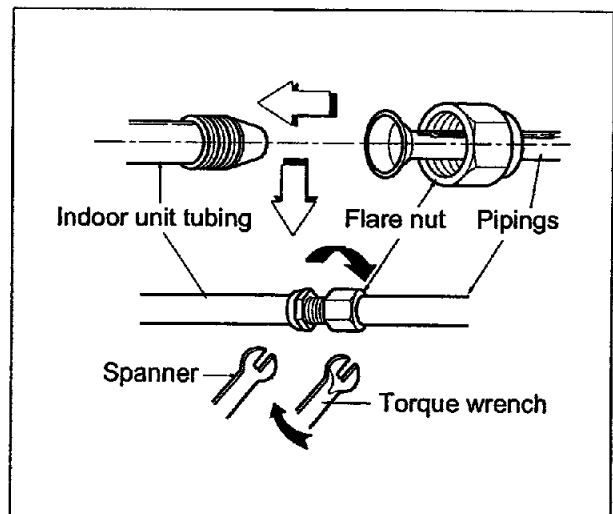
- Hook the indoor unit onto the upper position of the installation plate. (Engage the two hooks of the rear top of the indoor unit with the upper edge of the installation plate.) Ensure the hooks are properly seated on the installation plate by moving it in left and right.



7. Connecting the pipings to the indoor unit.

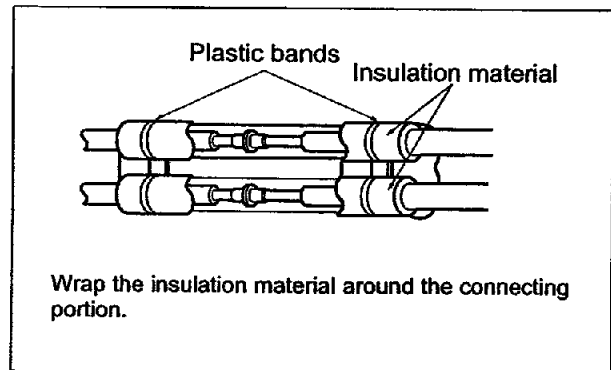
- Align the center of the pipings and sufficiently tighten the flare nut with fingers.
- Finally, tighten the flare nut with torque wrench until the wrench clicks. Wrench tightening the flare nut with torque wrench, ensure the direction for tightening follows the arrows on the wrench.

Pipe Size	Torque
Liquid Side (1/4")	1.8kg .m(1561b.in)
Gas Side (3/8")	4.2kg .m(3651b.in)
Gas Side (1/2")	5.5kg .m(4771b.in)



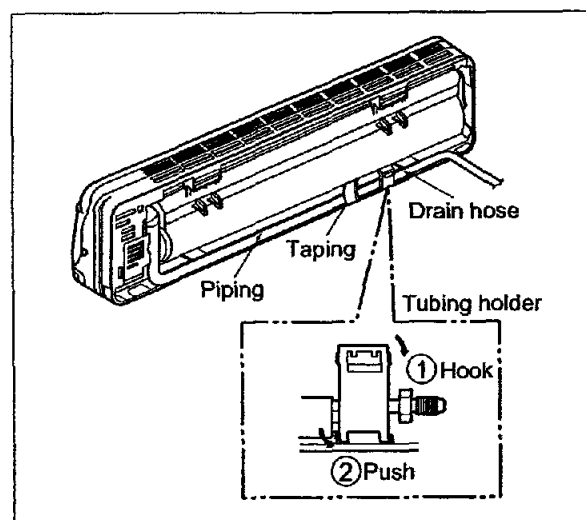
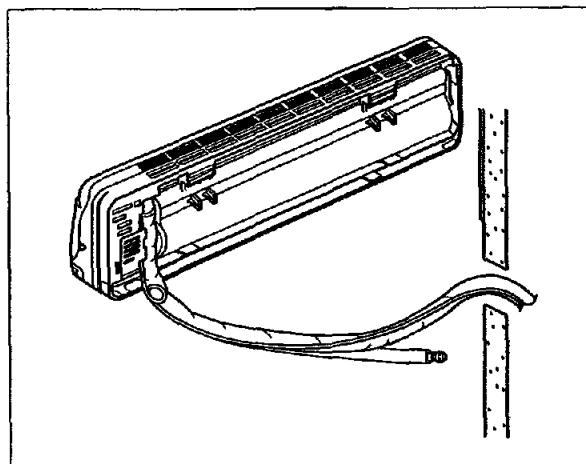
8. Wrap the insulation material around the connecting portion.

CAUTION: Take care to arrange the pipings, drain hose and cables as the right upper picture for inserting it into the indoor unit and refixing the tubing holder easily.



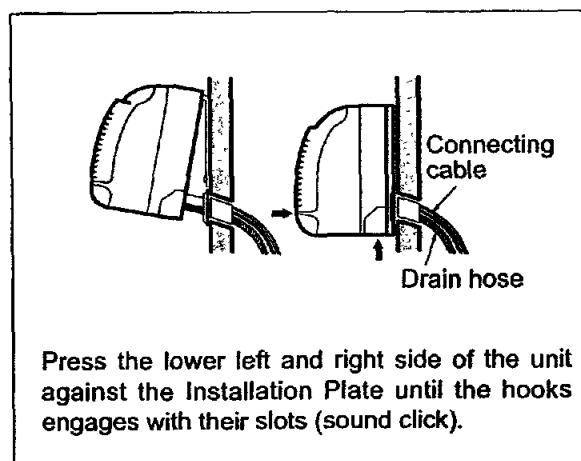
9. Set the pipings and the connecting cable to the back of the chassis with the tubing holder.

- Hook the edge of tubing holder to tap on chassis and push the bottom of tubing holder to be engaged in the bottom of chassis.



10. Indoor unit installation.

- Hook the indoor unit onto the upper portion of installation plate. (Engage the two hooks of the rear top of the indoor unit with the upper edge of the installation plate.) Ensure the hooks are properly seated on the installation plate by moving it in left and right.



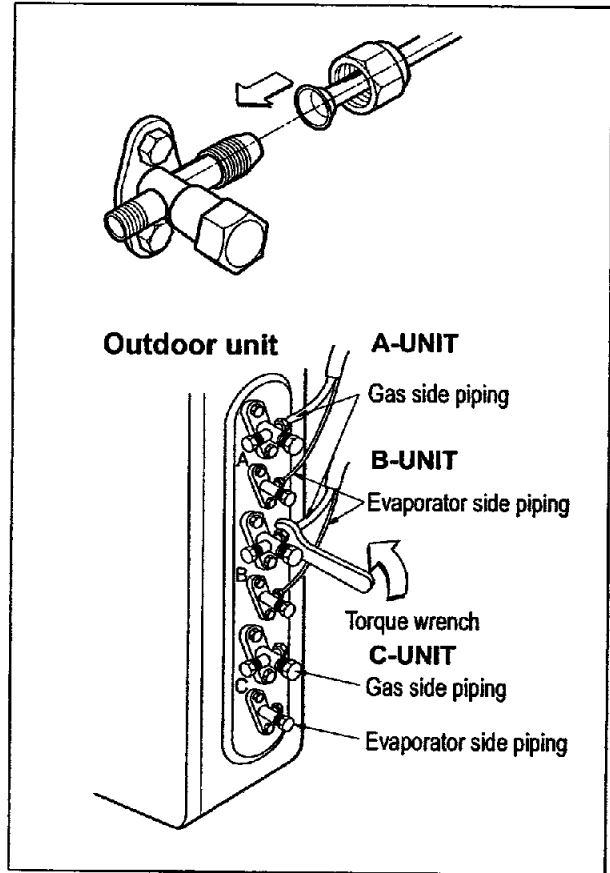
(3) Connecting Pipings and the cable to the outdoor unit

Align the center of the pipes, put a drop of refrigerant oil the face of the flare and sufficiently tighten the flare nut hand.

Finally, tighten the flare nut with torque wrench until the wrench clicks.

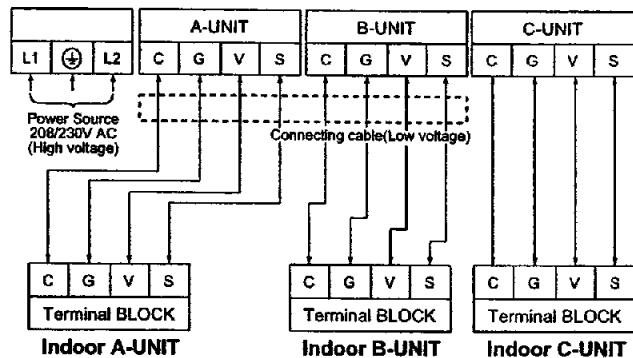
- When tightening the flare nut with torque wrench ensure the direction for tightening follows the arrow on the wrench.

Outside diameter		Torque
mm	inch	kg·m(1b.in)
Ø6.35	1/4	1.8(156)
Ø9.52	3/8	4.2(365)
Ø12.7	1/2	5.5(477)
Ø15.88	5/8	6.6(573)
Ø19.05	3/4	6.6(573)



Connection of the cable

1. Remove the cover control from the unit by loosening the screw.



2. Dismount caps on the conduit panel.
3. Temporarily mount the conduit tubes on the conduit panel.
4. Connect the wires to the terminals on the control board individually as the following.
5. Secure the cable onto the control board with the holder (clammer).
6. Ground the unit in accordance with local codes.
7. Refix the cover control to the original position with the screw.
8. Use lock nuts to secure the conduit tubes.

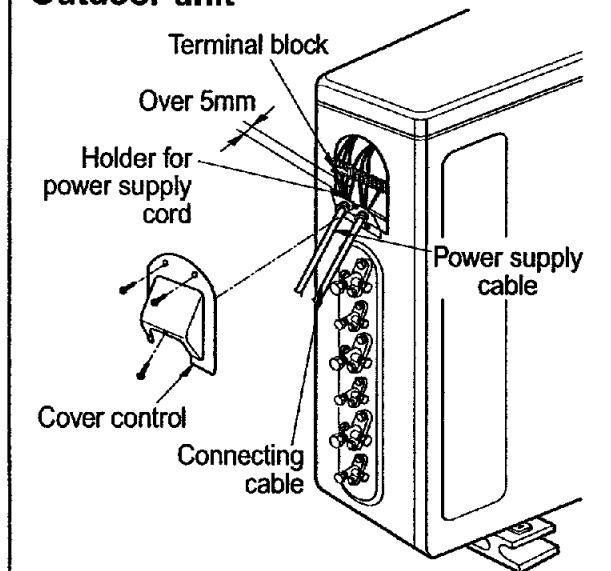
NOTE

1. Separately wire the high and low voltage line.
2. Use heat-proof electrical wiring capable of withstanding temperature up to 167°F.
3. Use outdoor and waterproof connection cable rated more than 300V for the connection between indoor and outdoor unit. (For example, Type SJO-WA)

WARNING

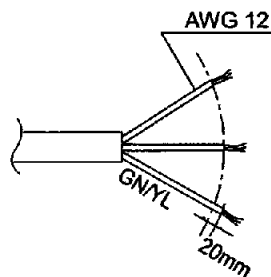
- Be sure to comply with local codes while running the wire from the indoor unit to the outdoor unit (size of wire and wiring method, etc).
- Every wire must be connected firmly.
- No wire should be allowed to touch refrigerant tubing, the compressor or any moving parts.

Outdoor unit

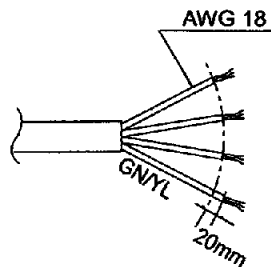


CAUTION

The power cable connected to the outdoor unit should be complied with the following specifications. (UL recognized and CSA certified)

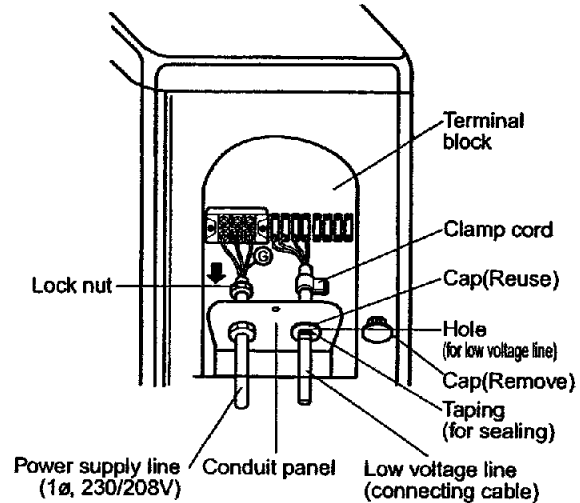


The connecting cable connected to the indoor and outdoor unit should be complied with the following specifications. (UL recognized and CSA certified)



Connection method of the connecting cable(Example)

- (1) Dismount two-caps on the conduit panel.
- (2) Make a hole appropriate for the passage of connection cable through on cap by tool.
(for low voltage line)
- (3) Pass the connecting cable through the hole.
- (4) Properly connect the cable on the terminal block.
- (5) Fix the connection cable with clamp cord on the unit not to have strain at the terminal when the connection cable is pulled outside up to a 35 pound weight.
- (6) Wind the vinyl tape round the connecting cable for sealing between the surface of the connection cable and cap.
- (7) Mount the taped part of cable on the cap.
- (8) Finally, mount the holed cap with the wound cable on the conduit panel.



High voltage

⚠ WARNING
Loose wiring may cause the terminal to overheat or result in unit malfunction. A fire hazard may also exist. Therefore, be sure all wiring is tightly connected.

When connecting each power wire to the corresponding terminal, follow instructions "How to connect wiring to the terminals" and fasten the wire tightly with the fixing screw of the terminal plate.

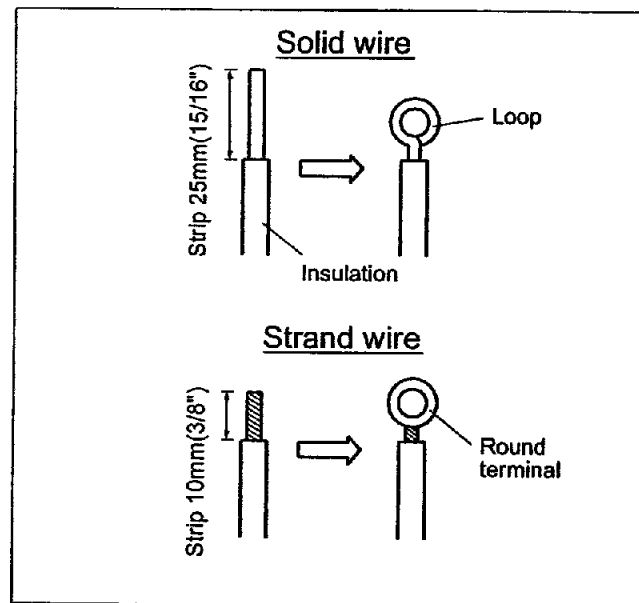
How to connect wiring to the terminals

■ For solid core wiring (or F-cable)

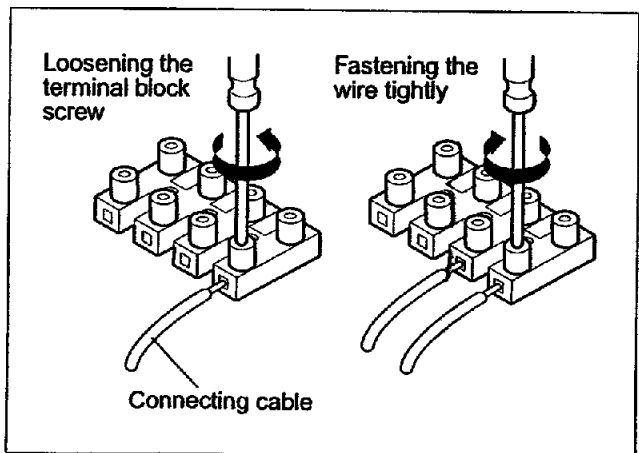
- (1) Cut the wire end with a wire cutter or wire-cutting pliers, then strip the insulation to expose the solid wire about 25mm(15/16")
- (2) Using a screwdriver, remove the terminal screw(s) on the terminal plate.
- (3) Using pliers, bend the solid wire to form a loop suitable for the terminal screw.
- (4) Shape the loop wire properly, place it on the terminal plate and tighten securely with the terminal screw using a screwdriver.

■ For strand wiring

- (1) Cut the wire end with a wire cutter or wire-cutting pliers, then strip the insulation to expose the strand wiring about 10mm(3/8").
- (2) Using a screwdriver, remove the terminal screw(s) on the terminal plate.
- (3) Using a round terminal fastener or pliers, securely clamp each stripped wire end with a round terminal.
- (4) Position the round terminal wire, and replace and tighten the terminal screw using a screwdriver.

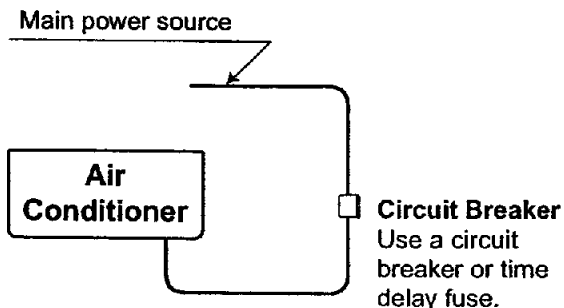


Low voltage



CAUTION

If a power plug is not to be used, provide a circuit breaker between power source and the unit as shown below.

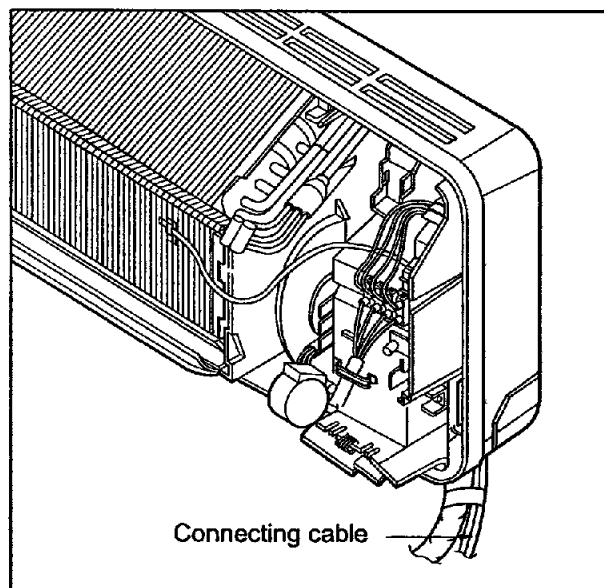


Model	Power source	Fuse or breaker Capacity
18k	1 ϕ ,230/208V	15A
24k	1 ϕ ,230/208V	20A
36k	1 ϕ ,230/208V	30A

Connect the cable to the indoor unit

1. **Connect the wires to the terminals on the control board individually according to the outdoor unit connection.**

- Ensure that the color of the wires of outdoor unit and the terminal No. are the same as those of indoor unit respectively.
(Refer to Wiring diagram on page11.)

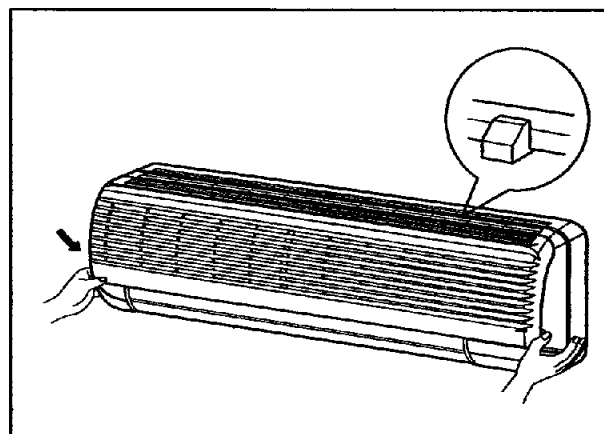


WARNING

- Be sure to refer to the wiring diagram label inside the cover control and carry out the correct field wiring. Wrong wiring can cause the unit to misoperate to result in a fire hazard.
- Check local electrical codes and any specified wiring instructions or limitations.

2. **Attach the Grille onto the cabinet.**

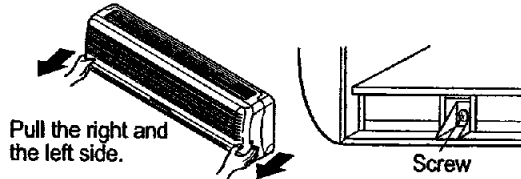
- Grasp lower the left and right side of the Grille and engage four tabs on the top inside edge of the chassis.
- Press the Grille toward the chassis until it will be back into place.



(4) Checking

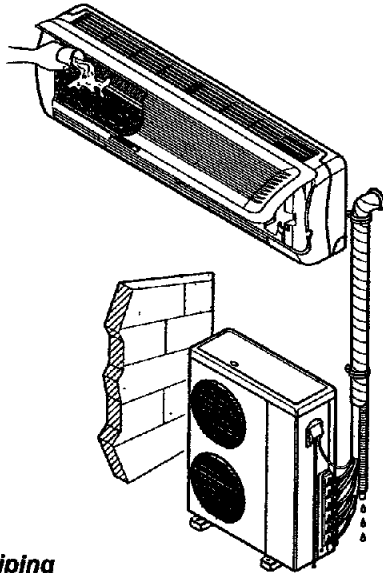
1. To remove the front panel from the indoor unit, remove the front panel from the indoor unit cabinet.

- Set the air direction louvers up-and-down to the position (horizontally) by hand.
- Remove the securing screws that retain the front panel. Pull the lower left and right sides of the grille toward you and lift it off.
(9K Btu models: 2EA,
12K Btu models: 3EA)



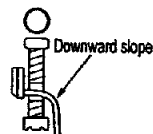
2. To check the drainage.

- Pour a glass of water on the evaporator.
- Ensure the water flows through the drain hose of the indoor unit without any leakage and goes out the drain exit.

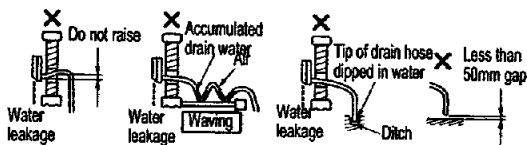


3. Drain piping

- The drain hose should point downward for easy drain flow.



- Do not make drain piping.



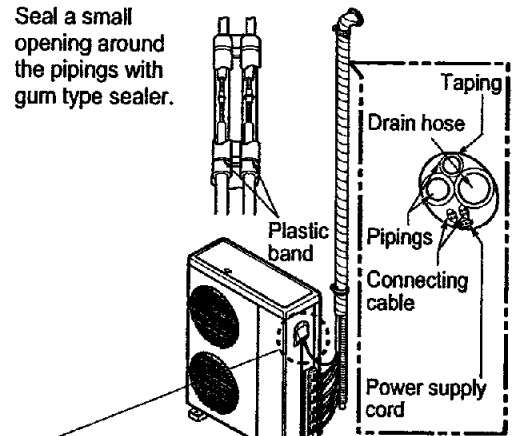
(5) Form the piping

1. Form the piping by wrapping the connecting portion of the indoor unit with insulation material and secure it with two kinds of vinyl tapes.

- If you want to connect an additional drain hose, the end of the drain outlet should be routed above the ground. Secure the drain hose appropriately.

2. In cases where the outdoor unit is installed below the indoor unit perform the following.

- Tape the piping, drain hose and connecting cable from down to up.
- Secure the tapped piping along the exterior wall using saddle or equivalent

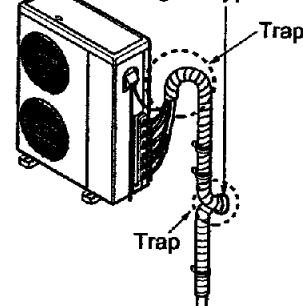


Trap is required to prevent water from entering into electrical parts.

3. In cases where the Outdoor unit is installed above the Indoor unit perform the following.

- Tape the piping and connecting cable from down to up.
- Secure the taped piping along the exterior wall. Form a trap to prevent water entering the room.
- Fix the piping onto the wall by saddle or equivalent.

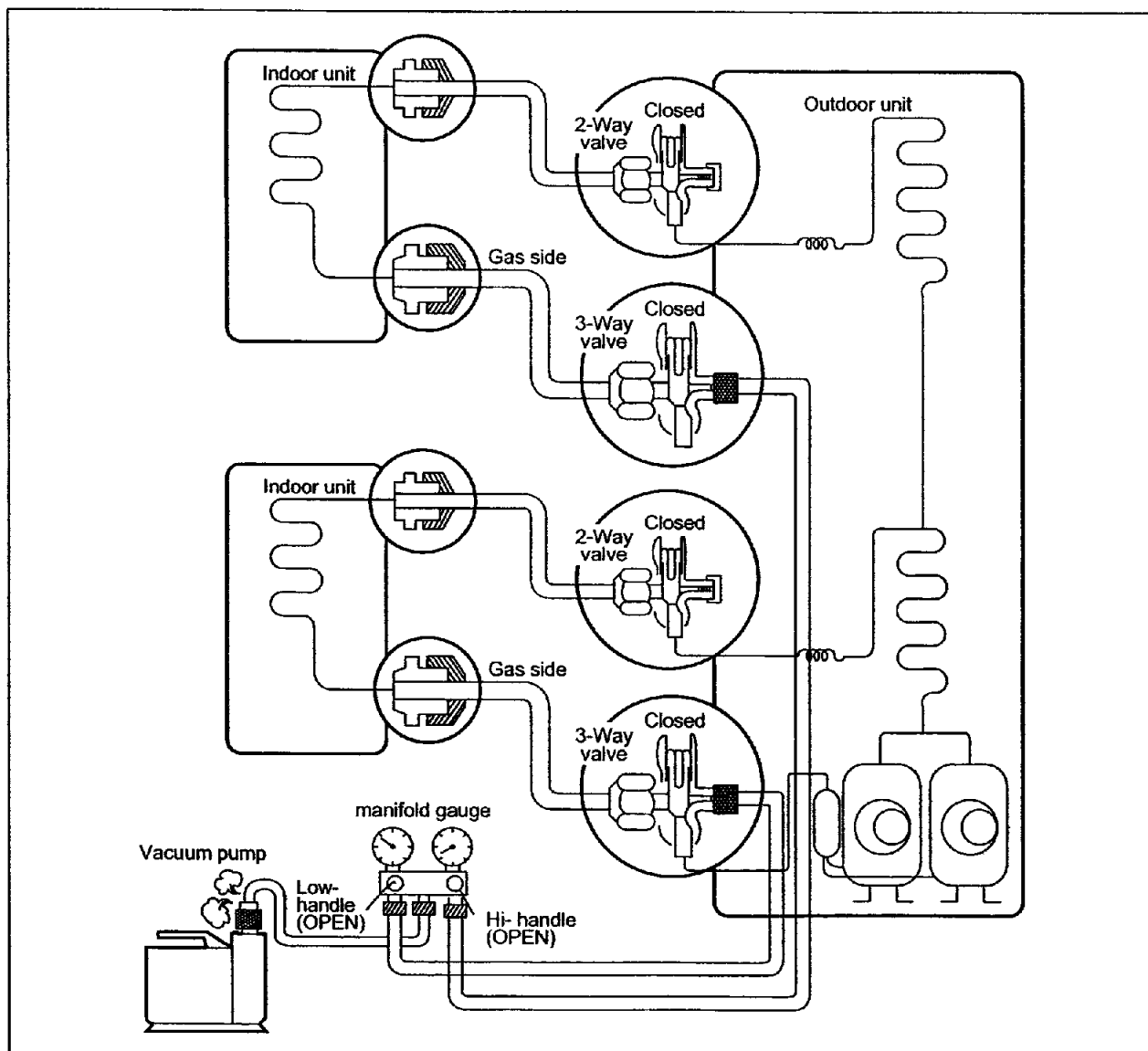
Seal a small opening around the pipings with gum type sealer.



(6) Air Purging of the Piping

The air which contains moisture remaining in the is refrigeration cycle may cause a malfunction on the compressor.

1. Confirm that both the liquid side valve and the gas side valve are set to the closed position.
2. After connecting the piping, check the joints for gas leakage with gas leak detector.
3. Remove the service port nut, and connect the gauge manifold and the vacuum pump to the service port by the charge hose.
4. Vacuum the indoor unit and the connecting pipes until the pressure in them lowers to below-76cmHg.
5. Disconnect the charge hose and fit the nut to the service port.
(Tightening torque: 1.8kg-m)
6. Remove the valve stem nuts, and fully open the stems of the 2-way and 3-way valves with a hexagon wrench.
7. Tighten the valve stem nuts of the 2-way valve and 3-way valve.

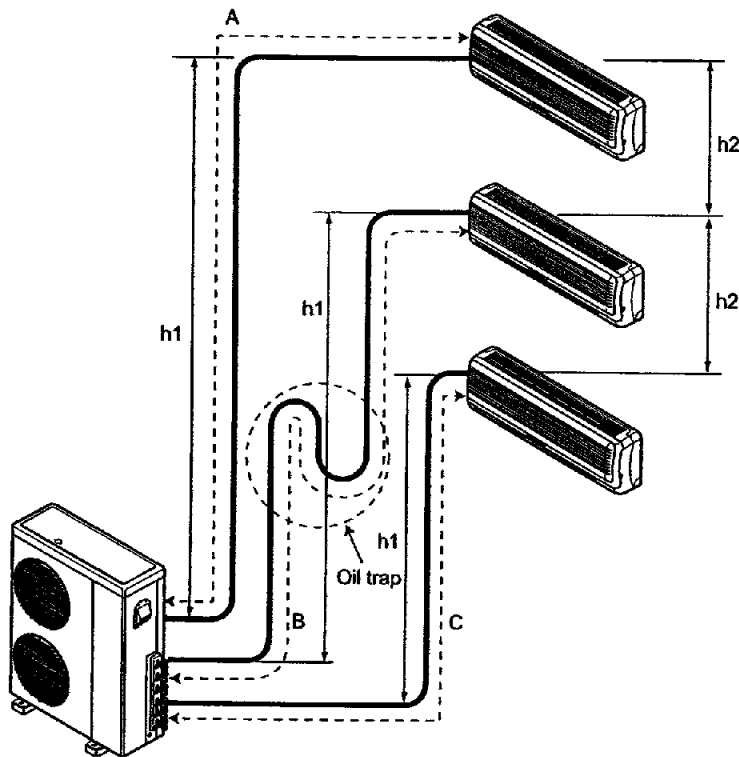


(7) Maximum Length of Pipe

Multi Piping Type

Capacity(Btu/h)	Max total length of all pipes (A+B+C)	Max length of each pipe (A/B/C)	Min length of each pipe (A/B/C)	Max Elevation between each indoor unit and outdoor unit (h1)	Max elevation between indoor units (h2)
36k	45m (148ft)	15m (49.2ft)	3m (9.8ft)	7.5m (24.6ft)	7.5m (24.6ft)

Indoor Capacity (Btu/h)	Pipe Size			
	Gas	Liquid	Standard Length	Additional Refrigerant
12K	1/2"	1/4"	7.5m (24.6ft)	30g/m (0.32oz/ft)

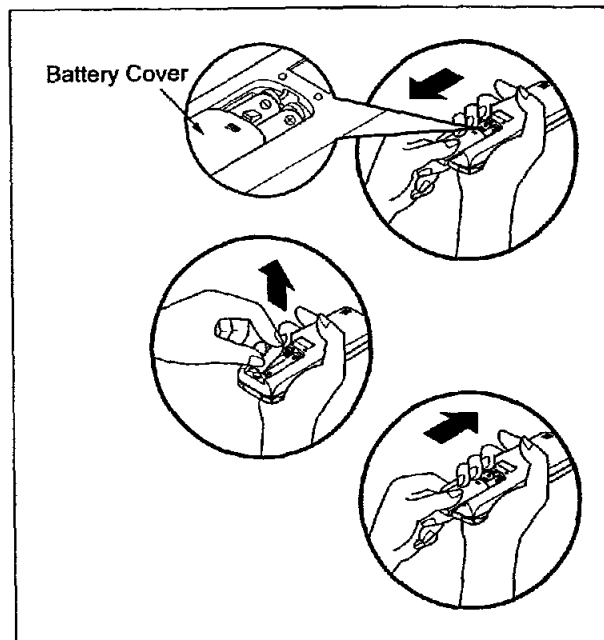


CAUTION: Capacity is based on standard length and maximum allowance length is on the basis of reliability. Oil trap should be installed every 5~7 meters (16.4~23.0ft).

(8) Test running

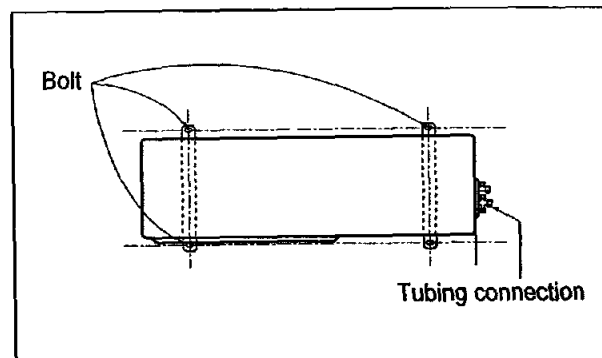
1) Connection of power supply

1. Connect the power supply cord to the independent power supply.
2. Prepare the remote control.
 - Insert two batteries provided.
Remove the battery cover from the remote controller.
 - Slide the cover according to the arrow direction. Insert the two batteries.
(Two "R03" or "AAA" dry-cell batteries or equivalent.)
 - Be sure that the (+) and (-) directions are correct.
 - Be sure that both batteries are new.
Re-attach the cover.
 - Slide it back into position.
3. Operate the unit at cooling operation mode for fifteen minutes or more.



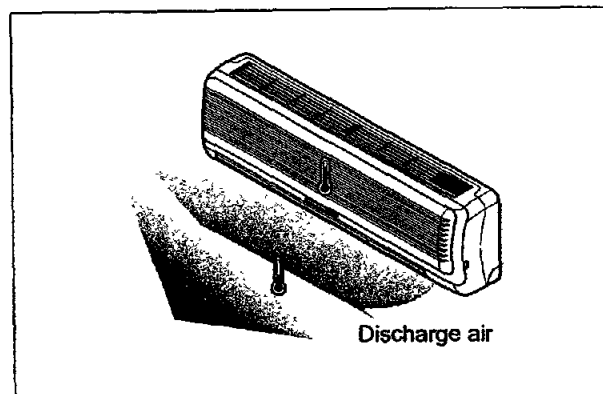
Settlement of Outdoor Unit

- Anchor the outdoor unit with a bolt and nut ($\phi 10\text{cm}(3.94\text{'})$) tightly and horizontally on a concrete or rigid mount.
- When installing on the wall, roof or rooftop, anchor the mounting base securely with a nail or wire assuming the influence of wind and earthquake.
- In the case when the vibration of the unit is conveyed to the house, settle the unit with an anti-vibration rubber.



2) Evaluation of the performance

1. Measure the temperature of the intake and discharge air.
2. Ensure the difference between the intake temperature and the discharge one is more than $8^{\circ}\text{C}(46^{\circ}\text{F})$.



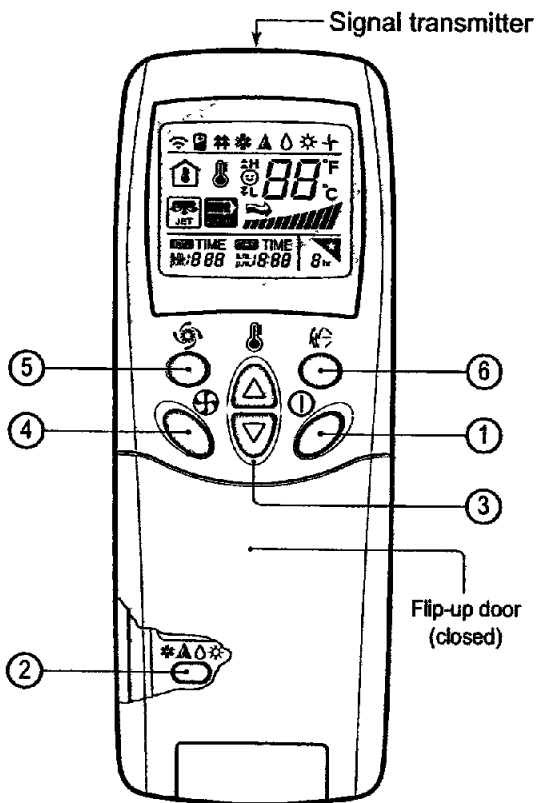
Operation

(1) Name and Function-Remote Control

REMOTE CONTROL

Signal transmitter

Transmits the signals to the room air conditioner.



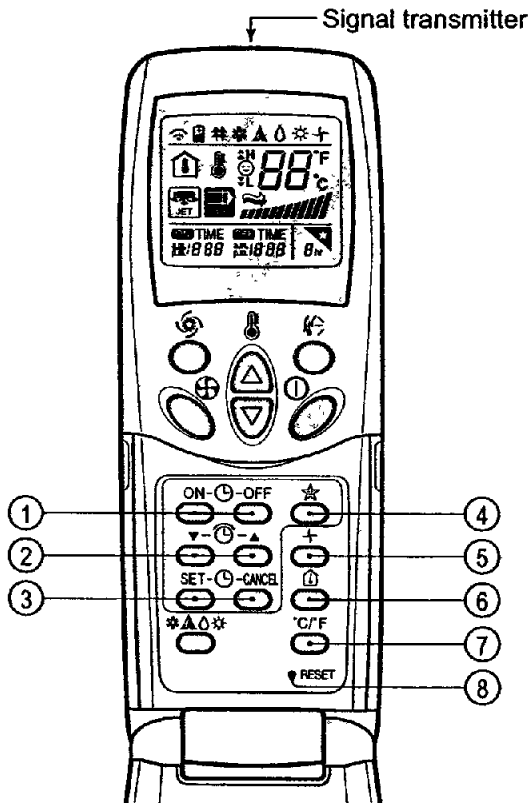
- 1 START/STOP BUTTON**
Operation starts when this button is pressed and stops when the button is pressed again.
- 2 OPERATION MODE SELECTION BUTTON**
Used to select the operation mode.
- 3 ROOM TEMPERATURE SETTING BUTTONS**
Used to select the room temperature.
- 4 INDOOR FAN SPEED SELECTOR**
Used to select fan speed in four steps low, medium, high, or CHAOS.
- 5 JET COOL**
Used to start or stop the speed cooling. (Speed cooling operates super high fan speed in cooling mode.)
- 6 CHAOS SWING BUTTON**
Used to stop or start louver movement and set the desired up/down airflow direction.

(2) Name and Function-Remote Control

REMOTE CONTROL

Signal transmitter

Transmits the signals to the room air conditioner.



- 1 ON/OFF TIMER BUTTONS**
Used to set the time of starting and stopping operation.
- 2 TIME SETTING BUTTONS**
Used to adjust the time.
- 3 TIMER SET/CANCEL BUTTONS**
Used to set the timer when the desired time is obtained and to cancel the Timer operation.
- 4 SLEEP MODE AUTO BUTTON**
Used to set Sleep Mode Auto operation.
- 5 AIR CIRCULATION BUTTON**
Used to circulate the room air without cooling or heating (turns indoor fan on/off).
- 6 ROOM TEMPERATURE CHECKING BUTTON**
Used to check the room temperature.
- 7 °C TO °F SWITCHING BUTTON**
- 8 RESET BUTTON**
Used prior to resetting time or after replacing batteries.

Disassembly of the parts (Indoor unit)

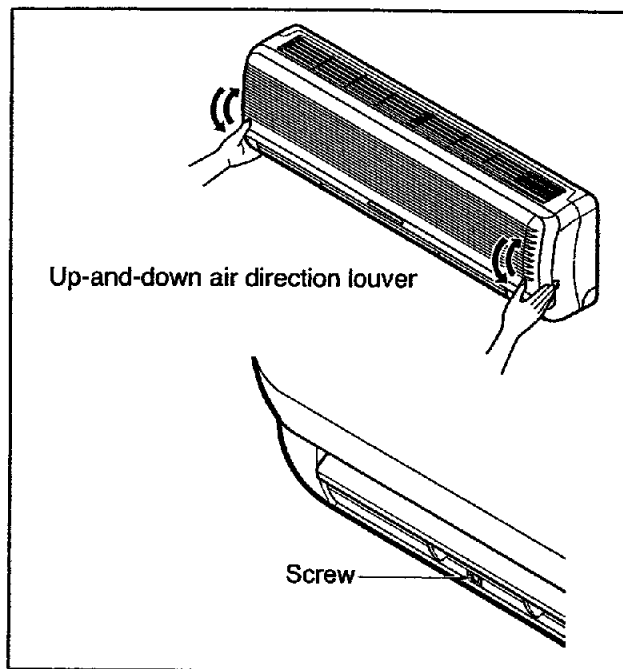
Warning :

Disconnect the unit from power supply before making any checks.

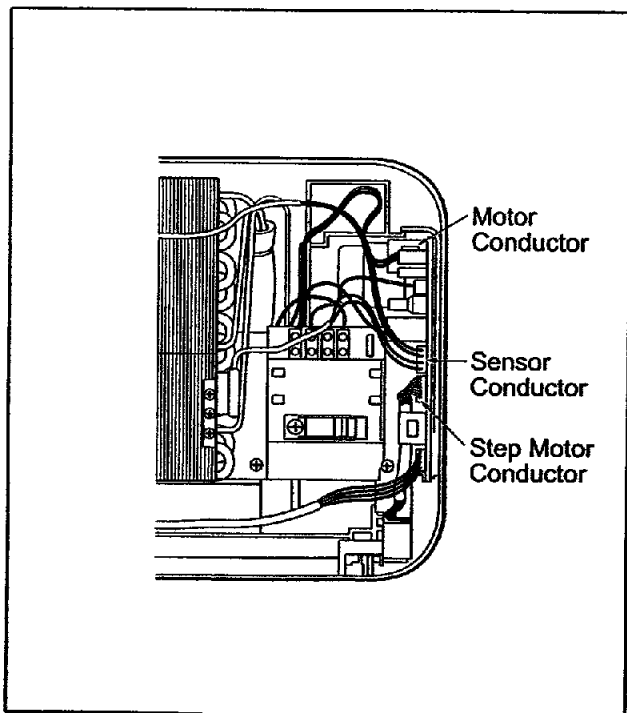
Be sure the power switch is set to "OFF".

To remove the Grille from the Chassis.

- Set the up-and-down air discharge louver to open position (horizontally) by finger pressure.
- Remove the securing screws
- To remove the Grille, pull the lower left and right side of the grille toward you (slightly tilted) and lift it straight upward.

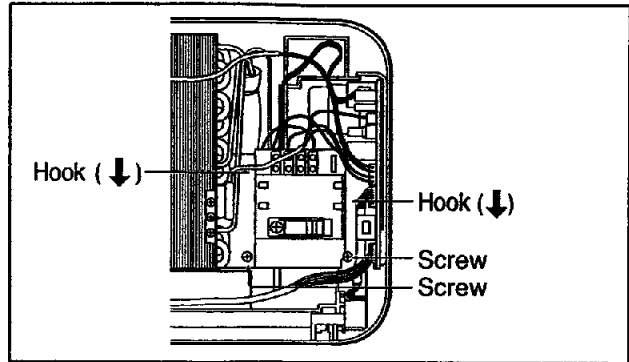


1. To remove the sensor, housing connect, step motor conductor with sensor holder, Motor, Evaporator & P.C.B.



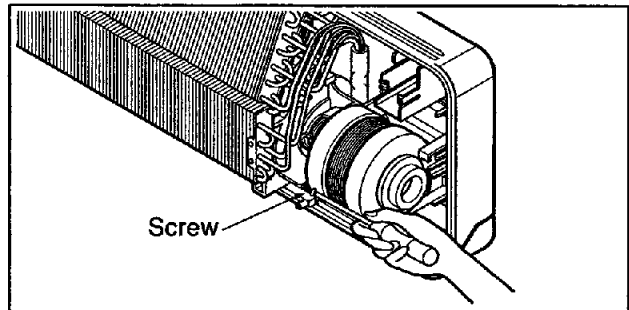
2. To remove the Control Box.

- Remove securing screws.
- Pull the control box out from the chassis carefully.



3. To remove the Discharge Grille.

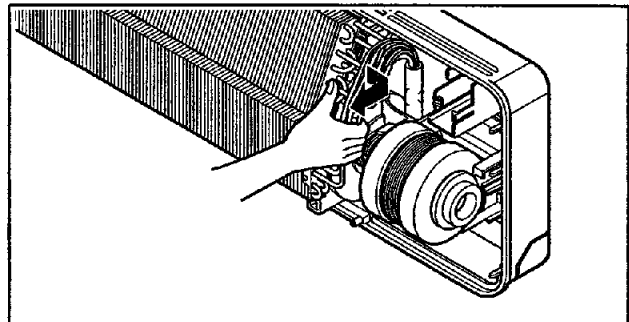
- Pull the discharge grille out from the chassis carefully.



4. To remove the Evaporator.

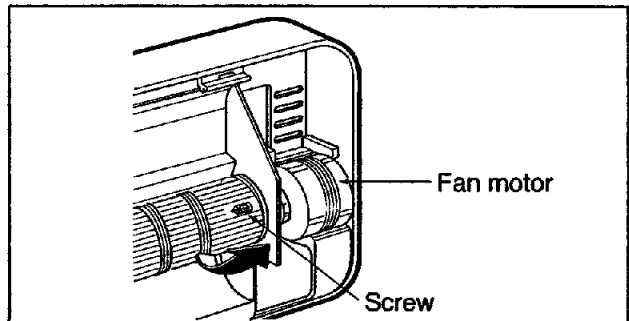
- Remove screws securing the evaporator and the holder eva.

- Unhook the tab on the right inside of the chassis at the same time, slightly pull the evaporator toward you until the tab is clear of the slot.

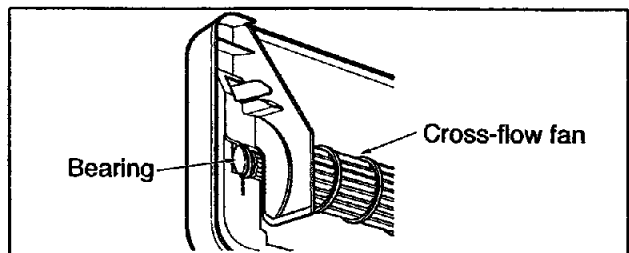


5. To remove the Cross-Flow Fan

- Loosen the screw securing the cross-flow fan to the fan motor (do not remove).
- Lift up the right side of the cross-flow fan and the fan motor, separate the fan motor from the cross-flow fan.



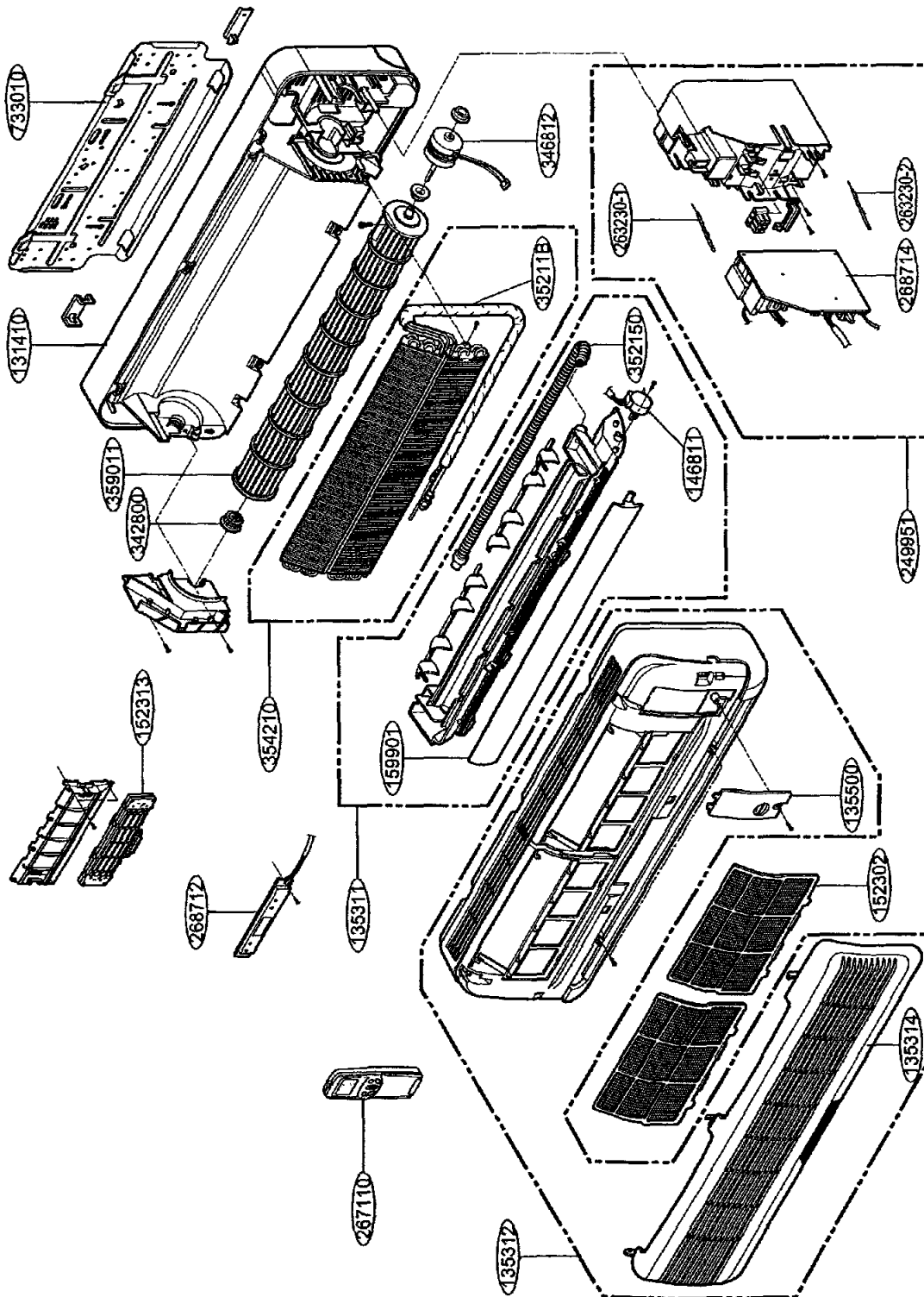
- Remove the left end of the cross-flow fan from the self-aligning bearing.



Exploded View and Replacement Parts List

1. Indoor Unit

HMC36AT , HMH36AT

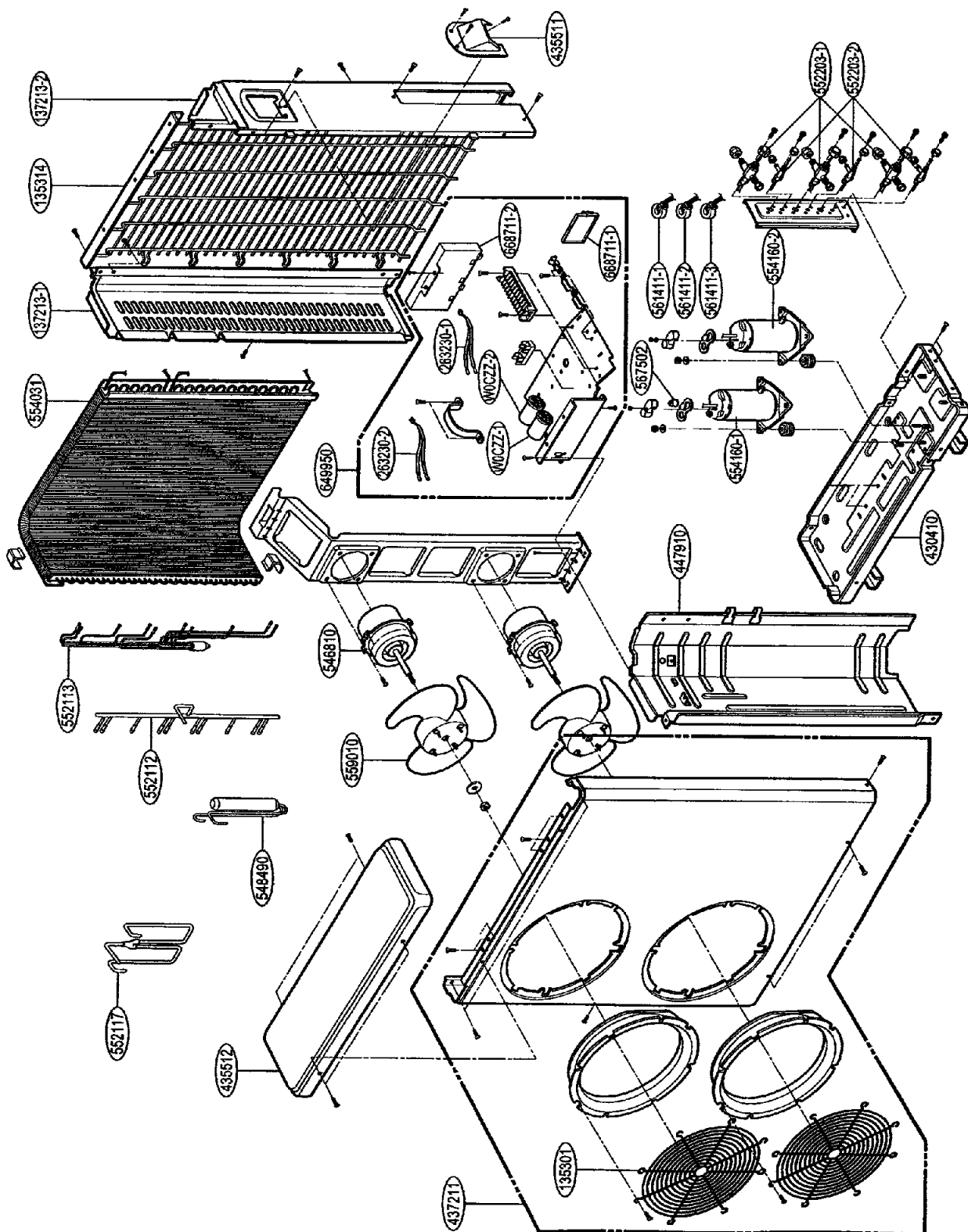


Parts List - Indoor Unit

LOCATION No.	DESCRIPTION	PART No.		SVC CODE
		HMC36AT	HMH36AT	
131410	CHASSIS ASSEMBLY	3141A20003D	3141A20003D	R
135311	GRILLE ASSEMBLY,DISCHARGE(INDOOR)	3531A10023X	3531A10023X	R
135312	GRILLE ASSEMBLY, FRONT	3531A10098B	3531A10098A	R
135500	COVER	3550A10107A	3550A10107A	R
146811	MOTOR ASSEMBLY, STEP	4681AR2727H	4681AR2727H	R
152302	FILTER(MECH), A/C	5230A20004A	5230A20004A	R
152313	DEODORIZER	-	-	Only in CND/Not in RMC
159901	VANE,HORIZONTAL	5990A30007A	5990A30007A	R
249951	CONTROL BOX ASSEMBLY, INDOOR	4995A00003A	4995A00003A	R
263230-1	THERMISTOR ASSEMBLY	6323A20003A	6323A20003A	R
263230-2	THERMISTOR ASSEMBLY	6323A20024A	6323A20024A	R
267110	REMOTE CONTROLLER ASSEMBLY	6711A20025N	6711A20026U	R
268712	PWB(PCB) ASSEMBLY, DISPLAY	6871A30009Q	6871A30009Q	R
268714	PWB(PCB) ASSEMBLY, MAIN	6871A20502B	6871A20502A	R
342800	BEARING	3H02821B	3H02821B	R
346812	MOTOR ASSEMBLY, DC	4681AR2295H	4681AR2295H	R
35211B	TUBE ASSEMBLY, TUBING	2H02449J	2H02449J	R
352150	HOSE ASSEMBLY, DRAIN	5251AR2575H	5251AR2575H	R
354210	EVAPORATOR ASSEMBLY, FIRST	5421A20032D	5421A20032D	R
359011	FAN ASSEMBLY, CROSS FLOW	5901AR6141C	5901AR6141C	R
733010	PLATE ASSEMBLY, INSTALL	1H00843A	1H00843A	R
135314	GRILLE ASSY,INLET SUB	3531A10054R	3531A10054Q	R

2. Outdoor Unit

HMC36AT



Parts List - Outdoor Unit(HMC36AT)

LOCATION No.	DESCRIPTION	PART No.	SVC CODE
		HMC36AT	
135301	GRILLE,DISCHARGE	3530A20006B	R
135314	GRILLE,REAR	3530A10176B	R
263230-1	THERMISTOR ASSEMBLY	6323A20028A	R
263230-2	THERMISTOR ASSEMBLY	6323A20026A	R
430410	BASE ASSEMBLY, OUTDOOR	3041AP7177D	R
435511	COVER ASSEMBLY,CONTROL(OUTDOOR)	3551A10044B	R
435512	COVER ASSEMBLY, TOP(OUTDOOR)	3H03266H	R
437211	PANEL ASSEMBLY,FRONT(OUTDOOR)	3721A10109A	R
447910	BARRIER ASSEMBLY,OUTDOOR	4791A10019B	R
546810	MOTOR ASSEMBLY,OUTDOOR	4681AR1392X	R
548490	ACCUMULATOR ASSEMBLY(MECH)	5211A21233B	R
552112	TUBE ASSEMBLY,CONDENSER IN	5211A11010C	R
552113	TUBE ASSEMBLY, CONDENSER OUT	5211A12001C	R
552116	TUBE ASSEMBLY, REVERSING	-	R
552117	TUBE ASSEMBLY, SUCTION(OUTDOOR)	5211A10446C	R
554031	CONDENSER ASSEMBLY, BENT	5403A20168C	R
559010	FAN ASSEMBLY, PROPELLER	5901A10033A	R
561410-1	COIL ASSEMBLY, REVERSING VALVE	-	R
561410-2	COIL ASSEMBLY, SOLENOID	-	R
649950	CONTROL BOX ASSEMBLY,OUTDOOR	4995A00002B	R
668711-1	PWB(PCB) ASSEMBLY,MAIN(AC)	6871A20500B	R
668711-2	PWB(PCB) ASSEMBLY,MAIN(OUTDOOR)	6871A20479B	R
137213-1	PANEL ASSEMBLY, SIDE	3721A10110A	R
137213-2	PANEL ASSEMBLY, SIDE	3721A10111C	R
552203-1	VALVE,SERVICE	2H01890U	R
552203-2	VALVE,SERVICE	2H02479R	R
554160-1	COMPRESSOR	2520UH GK2EA	R
554160-2	COMPRESSOR	2520UMMK2BA	R
561411-1	COIL ASSEMBLY,EXPANSION	6141A20018D	R
561411-2	COIL ASSEMBLY,EXPANSION	6141A20018E	R
561411-3	COIL ASSEMBLY,EXPANSION	6141A20018F	R
WOCZZ-1	CAPACITOR,DRAWING	0CZZA20007Q	R
WOCZZ-2	CAPACITOR,DRAWING	2H01451S	R
567502	O.L.P	2H00599W	R

Parts List - Outdoor Unit(HMH36AT)

LOCATION No.	DESCRIPTION	PART No.	SVC CODE
		HMH36AT	
135301	GRILLE,DISCHARGE	3530A20006B	R
135314	GRILLE,REAR	3530A10176B	R
263230-1	THERMISTOR ASSEMBLY	6323A20028A	R
263230-2	THERMISTOR ASSEMBLY	6323A20026A	R
430410	BASE ASSEMBLY, OUTDOOR	3041AP7177D	R
435511	COVER ASSEMBLY,CONTROL(OUTDOOR)	3551A10044A	R
435512	COVER ASSEMBLY, TOP(OUTDOOR)	3H03266H	R
437211	PANEL ASSEMBLY,FRONT(OUTDOOR)	3721A10109A	R
447910	BARRIER ASSEMBLY,OUTDOOR	4791A10019B	R
546810	MOTOR ASSEMBLY,OUTDOOR	4681AR1392X	R
548490	ACCUMULATOR ASSEMBLY(MECH)	5211A21233A	R
552112	TUBE ASSEMBLY,CONDENSER IN	5211A11010C	R
552113	TUBE ASSEMBLY, CONDENSER OUT	5211A12001C	R
552116	TUBE ASSEMBLY, REVERSING	5211A10448A	R
552117	TUBE ASSEMBLY, SUCTION(OUTDOOR)	-	R
554031	CONDENSER ASSEMBLY, BENT	5403A20168A	R
559010	FAN ASSEMBLY, PROPELLER	5901A10033A	R
561410-1	COIL ASSEMBLY, REVERSING VALVE	6141A20021A	R
561410-2	COIL ASSEMBLY, SOLENOID	6141A20022A	R
649950	CONTROL BOX ASSEMBLY,OUTDOOR	4995A00002A	R
668711-1	PWB(PCB) ASSEMBLY,MAIN(AC)	6871A20500B	R
668711-2	PWB(PCB) ASSEMBLY,MAIN(OUTDOOR)	6871A20479A	R
137213-1	PANEL ASSEMBLY, SIDE	3721A10110A	R
137213-2	PANEL ASSEMBLY, SIDE	3721A10111C	R
552203-1	VALVE,SERVICE	2H01890U	R
552203-2	VALVE,SERVICE	2H02479R	R
554160-1	COMPRESSOR	2520UH GK2EA	R
554160-2	COMPRESSOR	2520UMMK2BA	R
561411-1	COIL ASSEMBLY,EXPANSION	6141A20018D	R
561411-2	COIL ASSEMBLY,EXPANSION	6141A20018E	R
561411-3	COIL ASSEMBLY,EXPANSION	6141A20018F	R
W0CZZ-1	CAPACITOR,DRAWING	0CZZA20007Q	R
W0CZZ-2	CAPACITOR,DRAWING	2H01451S	R
567502	O.L.P	2H00599W	R
55211F	TUBE ASSEMBLY, SOLENOIDE	5211A00007A	R



Specifications and performance data subject to change without notice.

HEAT CONTROLLER, INC.

1900 WELLWORTH AVENUE • JACKSON, MICHIGAN 49203

THE QUALITY LEADER IN CONDITIONING AIR