

This Owner's Manual is provided and hosted by [Appliance Factory Parts](#).



# LG LSN246HV Owner's Manual

[Shop genuine replacement parts for LG LSN246HV](#)



[Find Your LG Air Conditioner Parts - Select From 2330 Models](#)

----- Manual continues below part list -----

## Available Replacement Parts for LG LSN246HV

<a href="#">4280A20004M</a>	Bearing
<a href="#">AKB74375404</a>	Ac Remote Control Akb74375404
<a href="#">EBG61325804</a>	Ntc Thermistor Assembly
<a href="#">5901A92441E</a>	Cross Flow Fan Assembly
<a href="#">4681A20042E</a>	Motor Assembly,dc,stepping
<a href="#">5251A20011D</a>	Drain Hose Assembly
<a href="#">AGU36472501</a>	Installation Plate Assembly
<a href="#">EBG61107008</a>	Ntc Thermistor Assembly
<a href="#">EAU62004011</a>	Motor Assembly,dc,indoor
<a href="#">4681A20042G</a>	Motor Assembly,dc,stepping
<a href="#">5230A20052G</a>	Deodorizing Filter



# Room Air Conditioner

## SVC MANUAL(Exploded View)

**MODEL : ASNW2435SZ1(LSN246HV)  
ASUW2435SZ1(LSU246HV)**

### **CAUTION**

Before Servicing the unit, read the safety precautions in General SVC manual.  
Only for authorized service personnel.

# 1. Specification

Models		AS-W2435SZ1 (LS246HV)		
Cooling Capacity (Min~Rating~Max)		kW	3.87~7.15~7.74	
		Btu/h	13,200~24,400~26,400	
Heating Capacity (Min~Rating~Max)		kW	3.37~7.62~8.88	
		Btu/h	11,500~26,000~30,300	
Power Input	Cooling/Heating	W	2652/2920	
Running Current	Cooling/Heating	A	11.7/13.0	
Starting Current	Cooling/Heating	A	11.7/13.0	
EER		W/W	2.7	
		Btu/h.W	9.2	
COP		W/W	8.9	
Power Supply		∅ / V / Hz	1/208-230/60	
Power Factor		%	97	
Air Flow Rate	Indoor,Max	mm³/min(cfm)	20.3(717)	
	Outdoor,Max	mm³/min(cfm)	58(2,048)	
Moisture Removal		l/h	2.7	
Sound Level	Indoor,H/M/L	dB(A)+3	45/40/37	
	Outdoor,Max	dB(A)+3	54	
Refrigerant & Charge(at 7.5m)		g(oz)	R410A, 1,800(63)	
Additional Refrigerant Charge		g/m(oz/ft)	30(0.32)	
Compressor	Type		Rotary	
	Model		5KD240XCA21	
	Motor Type		BLDC	
	Oil Type		FV50S	
	Oil Charge	cc	900	
	O.L.P Name		-	
Fan(Indoor)	Type		Cross Flow Fan	
	Motor Output	W	24	
Fan(outdoor)	Type		Propeller	
	Motor Type		AC Induction	
	Motor Output	W	76.5	
Circuit Breaker*		A	25	
Power Supply Cable		NEC	12	
Power and Transmission Cable		NEC	18	
Piping Connections	Liquid Side	mm(in)	9.52(3/8)	
	Gas Side	mm(in)	15.88(5/8)	
Drain Hose	O.D , I.D	mm(in)	21.5.16(0.85,0.63)	
Dimension	Indoor(W*H*D)	mm	1,090*300*178	
		inch	42.9*11.8*7.0	
	Outdoor(W*H*D)	mm	870*800*320	
		inch	34.3*34.6*12.6	
Net Weight	Indoor	kg(lbs)	13.0(28.7)	
	Outdoor	kg(lbs)	66(145.5)	
Operation Range	Cooling(Outdoor)	°C	-10 ~ 46 (14.0~114.8)(Low Ambient)	
	Heating(Outdoor)	°C	-10 ~ 24 (14.0 ~ 75.2)	
Max. Piping Length		m(ft)	30(98)	
Max. Elevation Difference		m(ft)	15(49)	
Tool Code(Chassis)	Indoor + Outdoor		S8 + UE1	
Functions	Temperature Control		Thermistor	
	Plasma Filter		-	
	Prefilter(washable/anti-fungus)		O	
	Auto Clean		O	
	CHAOS Wind(Auto Wind)		O	
	Steps, Fan/Cool/Heat		-/4/4	
	Airflow Direction Control(up&down)		Auto	
	Airflow Direction Control(left&right)		Auto	
	Remocon Type		Wireless LCD	
	Setting Temperature Range	Cooling		18 ~ 30 (64~86)
		Heating		16 ~ 30 (60~86)
	Auto Operation (Micom Control)		-	
	Auto Changeover (Micom Control)		O	
	Self Diagnosis		O	
	Timer		24h On/Off	
	Sleep Operation		O	
	Soft Dry Operation		O	
	Restart Delay(minute)		2	
	Deice Control(Defrost)		O	
	Hot Start		O	
	Jet Cool / Heat		O / O	
	Low Ambient Operation		O	
	Special Function		-	
Network Functions	Dry Contact		-	
	Network Solution(LGAP)		-	
	PI485		-	

**Note:**

O : Applied, - : No relation

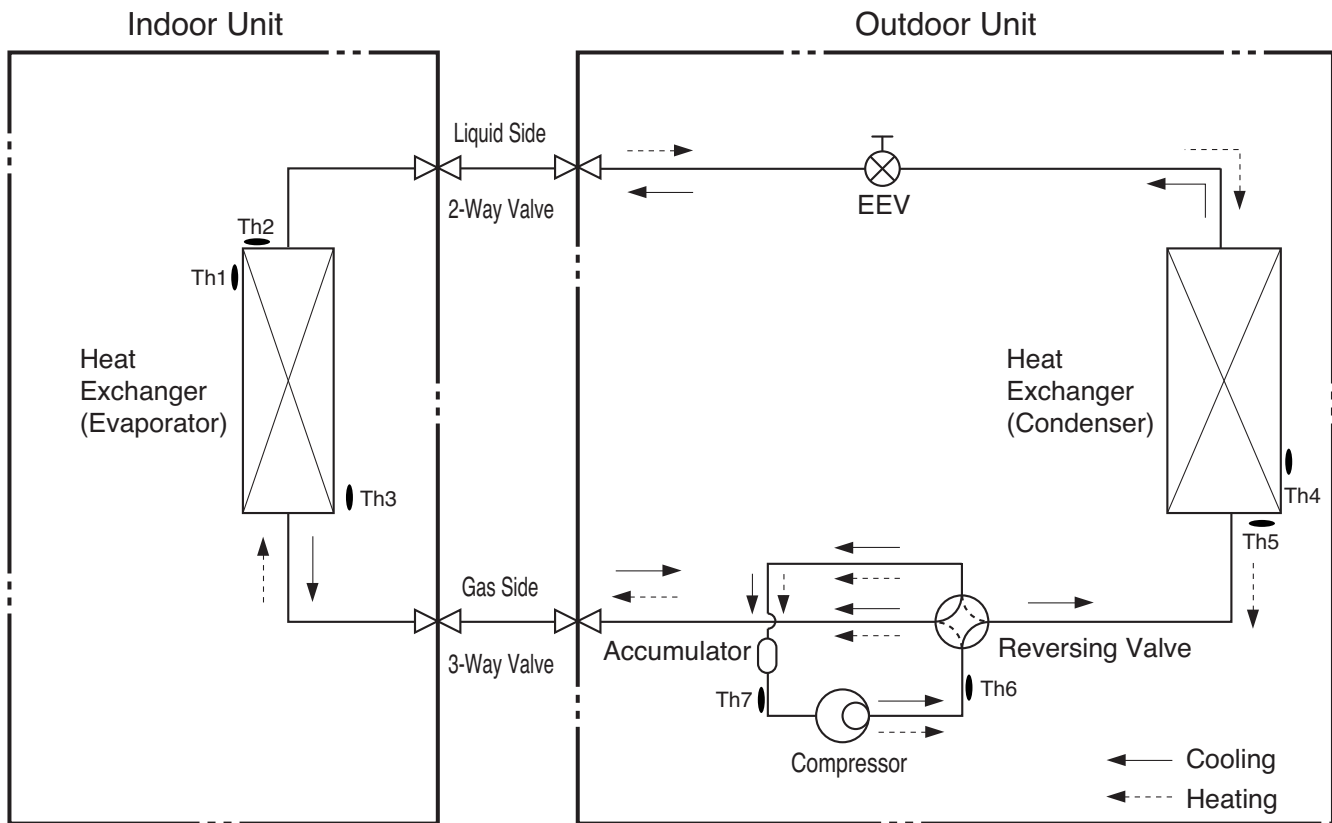
\* For circuit breaker rating, please conform to local standards wherever necessary.

\* Some of functions are slightly different depending upon models.

\* The specification may be subject to change without prior notice for purpose of improvement.

\* Capacity : based on 230V

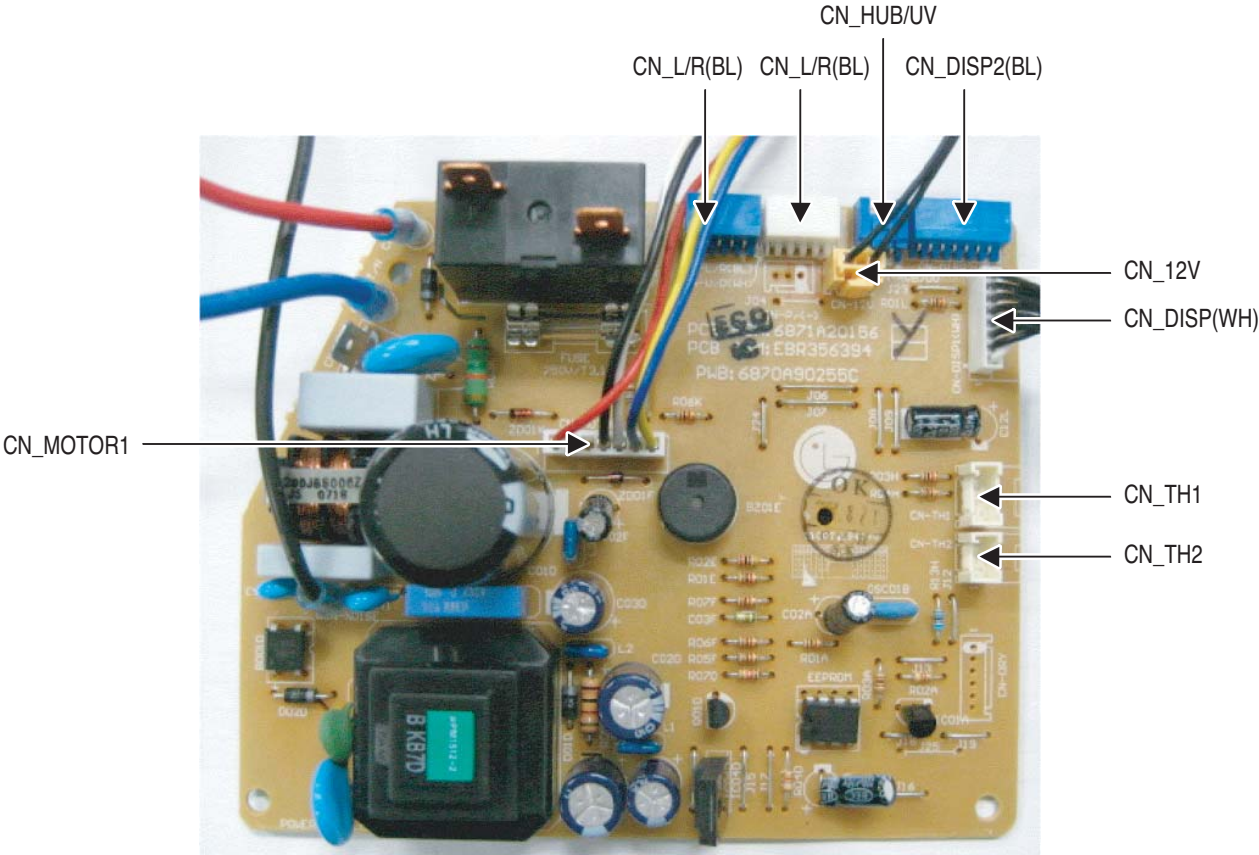
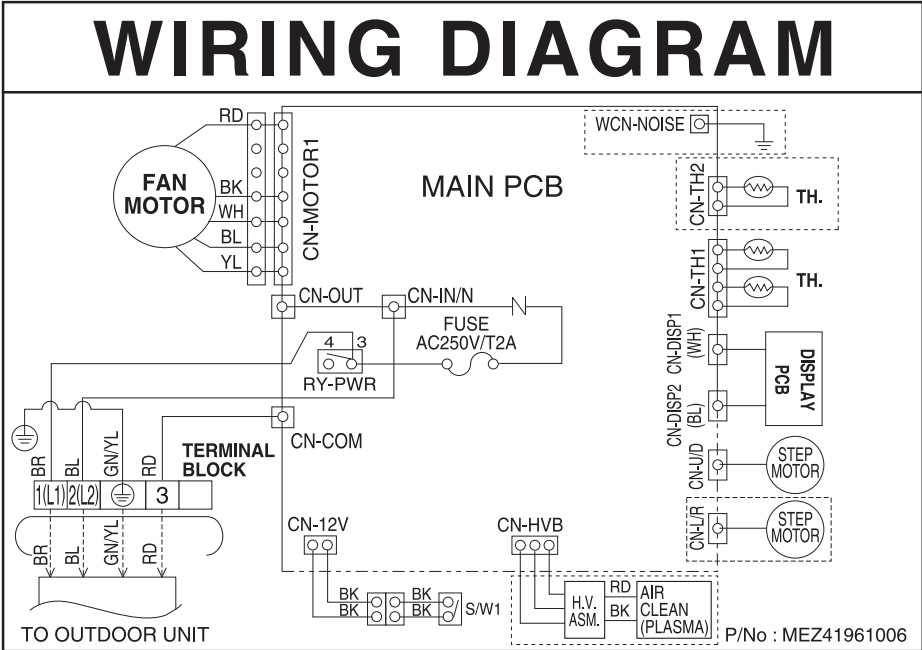
## 2. Piping Diagrams



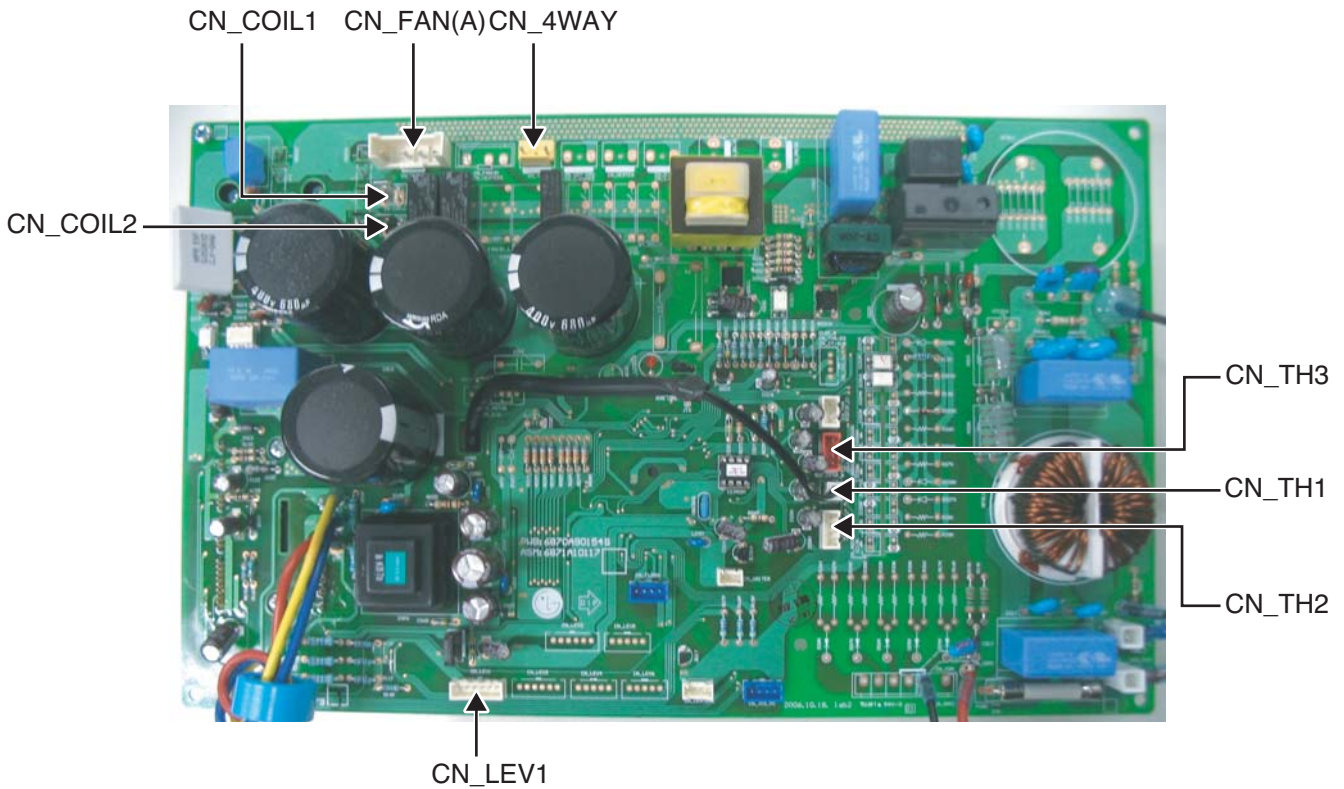
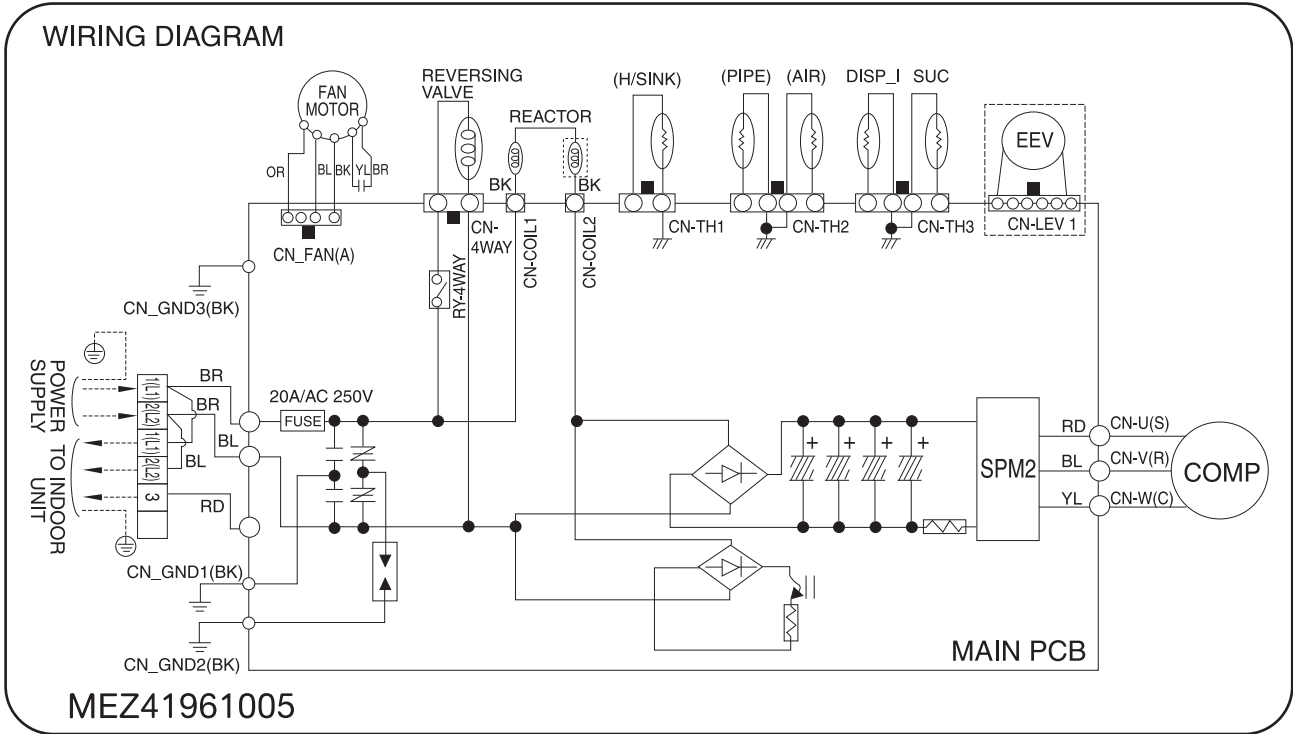
LOC.	Description	PCB Connector
Th1	Thermistor for indoor air temperature	CN_TH1(INDOOR)
Th2	Thermistor for evaporating temperature	CN_TH2(INDOOR)
Th3		CN_TH3(INDOOR)
Th4	Thermistor for outdoor air temperature	CN_TH2(OUTDOOR)
Th5	Thermistor for condensing temperature	
Th6	Thermistor for discharge pipe temperature	CN_TH3(OUTDOOR)
Th7	Thermistor for suction pipe temperature	

# 3. Wiring Diagrams

## Indoor Unit

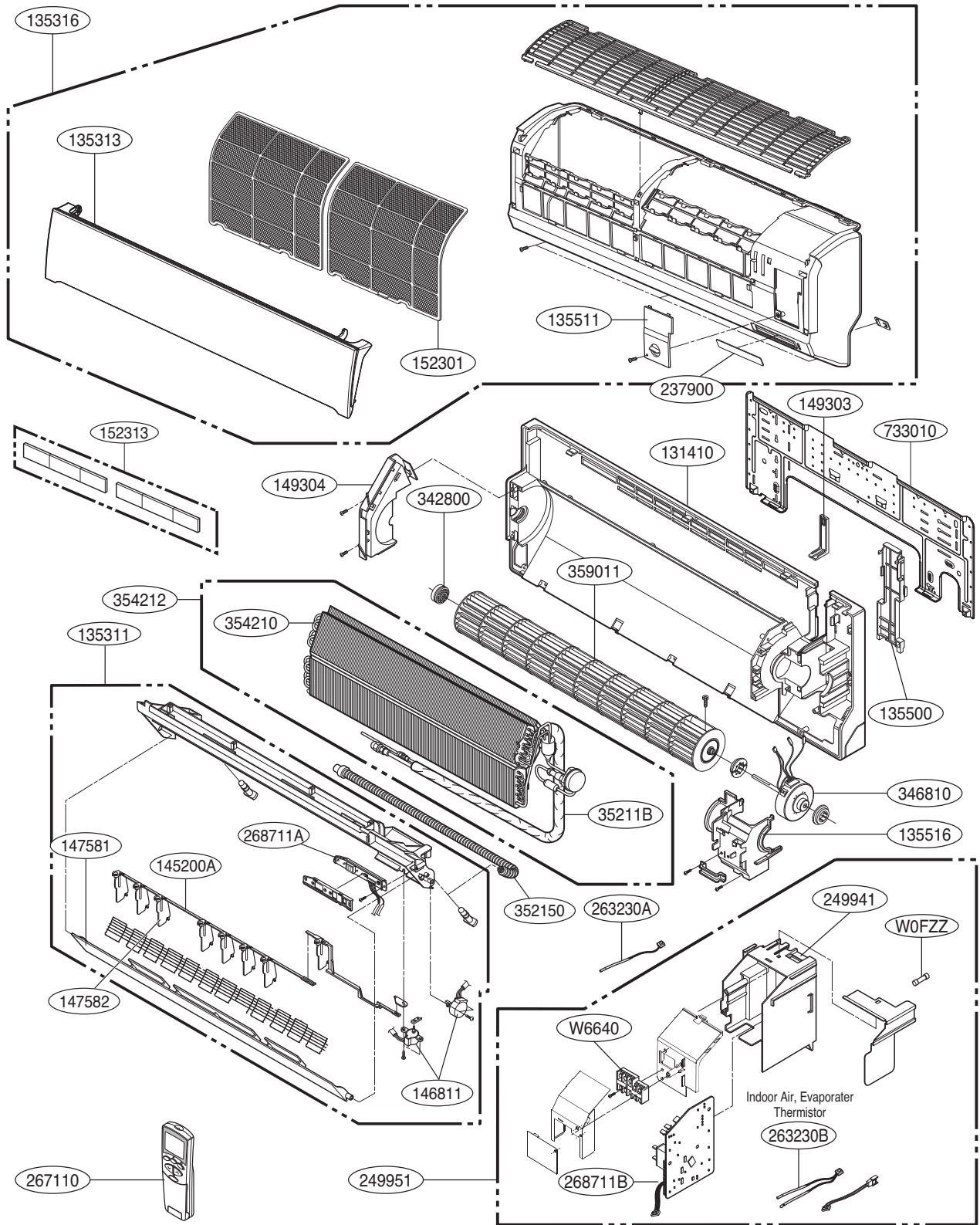


# Outdoor Unit



# 4. Exploded View

## Indoor Unit



Note) \* Please ensure GCSC since the replacement parts may be changed depending upon the buyer's request. Please check the correct parts in View RPL(Replacement Part List) on GCSC. (GCSC Website <http://biz.Lgservice.com>.)





P/NO : MFL42684223

JANUARY, 2010