

This Owner's Manual is provided and hosted by [Appliance Factory Parts](#).



# Lynx L30R-1-2010 Owner's Manual

[Shop genuine replacement parts for Lynx L30R-1-2010](#)



[Find Your Lynx Grill Parts - Select From 362 Models](#)

----- Manual continues below -----

# SPECIFICATIONS

The guides, measurements and dimensions detailed below are designed to assist you with planning your outdoor kitchen. Please note: because of continuing product innovation, specifications are subject to change without notice.

**Important:** Please reference the Care & Use / Installation Manual for details on gas plumbing requirements, electrical specifications and the proper installation of your Lynx outdoor kitchen equipment. This manual can be downloaded from the Lynx website at [www.lynxgrills.com](http://www.lynxgrills.com)



## TRASH CENTER AND TOWEL DISPENSER

**Trash Center Model No. L18TC**

Cutout width and height indicated above; depth 13"

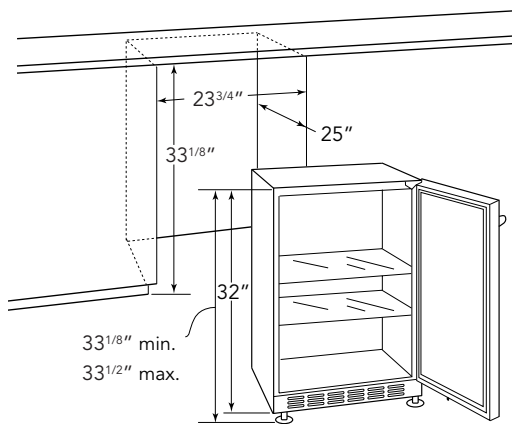
**Trash Chute Model No. L18TS**

Cutout width and depth indicated above; height 4"

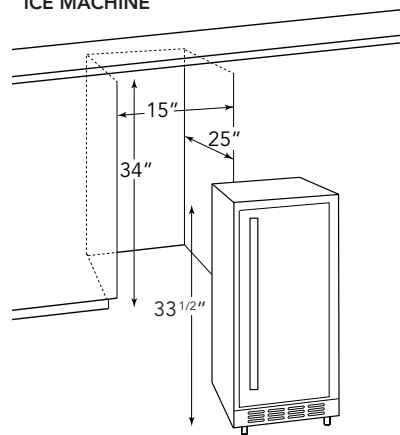
**Towel Dispenser Model No. L16TWL**

Cutout width and height indicated above; depth 7<sup>1</sup>/<sub>2</sub>"

## OUTDOOR REFRIGERATOR

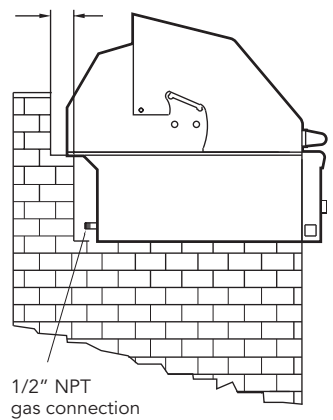


## ICE MACHINE



## CLEARANCE

4" Minimum



# SPECIFICATIONS

## PROFESSIONAL GRILLS

| Model | A | B  | C                 | D | E | F | G | H |
|-------|---|----|-------------------|---|---|---|---|---|
| L27   | - | 26 | 22                | - | - | - | - | - |
| L30   | - | 29 | 24 <sup>1/2</sup> | - | - | - | - | - |
| L36   | - | 35 | 22                | - | - | - | - | - |
| L42   | - | 41 | 24 <sup>1/2</sup> | - | - | - | - | - |
| L54   | - | 53 | 24 <sup>1/2</sup> | - | - | - | - | - |

## COMPLEMENTARY PRODUCTS

| Model               | A | B | C | D                 | E | F | G | H |
|---------------------|---|---|---|-------------------|---|---|---|---|
| <b>ACCESS DOORS</b> |   |   |   |                   |   |   |   |   |
| LDR21-1             | - | - | - | 19 <sup>1/4</sup> | - | - | - | - |
| LDR27-1             | - | - | - | 25 <sup>1/4</sup> | - | - | - | - |
| LDR30-1             | - | - | - | 28 <sup>1/4</sup> | - | - | - | - |
| LDR36-2             | - | - | - | 34 <sup>1/4</sup> | - | - | - | - |
| LDR42-1             | - | - | - | 40 <sup>1/4</sup> | - | - | - | - |

### SIDE BURNERS

|        |                   |   |                   |   |   |   |   |   |
|--------|-------------------|---|-------------------|---|---|---|---|---|
| LSB1   | 12 <sup>1/8</sup> | - | 24 <sup>1/2</sup> | - | - | - | - | - |
| LSB2   | 12 <sup>1/8</sup> | - | 24 <sup>1/2</sup> | - | - | - | - | - |
| LSB2PC | 24 <sup>1/4</sup> | - | 24 <sup>1/2</sup> | - | - | - | - | - |
| LPSGE  | 12 <sup>1/8</sup> | - | 24 <sup>1/2</sup> | - | - | - | - | - |
| LPB    | 19                | - | 22                | - | - | - | - | - |

### UTILITY DRAWERS

|       |   |   |                   |   |                   |                    |   |   |
|-------|---|---|-------------------|---|-------------------|--------------------|---|---|
| LUDE  | - | - | 24                | - | 12 <sup>1/8</sup> | 19 <sup>1/4</sup>  | - | - |
| LUDXL | - | - | 24 <sup>1/4</sup> | - | 17 <sup>1/4</sup> | 18 <sup>9/16</sup> | - | - |

### WARMING DRAWERS

|       |   |   |                   |   |   |   |                   |                   |
|-------|---|---|-------------------|---|---|---|-------------------|-------------------|
| L30WD | - | - | 20 <sup>1/2</sup> | - | - | - | 28 <sup>1/2</sup> | 10                |
| L42CC | - | - | 24 <sup>1/2</sup> | - | - | - | 40 <sup>1/4</sup> | 19 <sup>3/8</sup> |

### COCKTAIL PRO

|      |   |   |                   |   |   |   |   |   |
|------|---|---|-------------------|---|---|---|---|---|
| CS30 | - | - | 22 <sup>3/4</sup> | - | - | - | - | - |
|------|---|---|-------------------|---|---|---|---|---|

## WITH INSULATED JACKET INSTALLED

| Model | A  | B | C                 | D                | E | F                 |
|-------|----|---|-------------------|------------------|---|-------------------|
| LJ27  | 33 | 5 | 24 <sup>1/2</sup> | 4 <sup>1/2</sup> | 3 | 11 <sup>5/8</sup> |
| LJ30  | 36 | 5 | 26 <sup>1/2</sup> | 4 <sup>1/2</sup> | 3 | 11 <sup>5/8</sup> |
| LJ36  | 42 | 5 | 24 <sup>1/2</sup> | 4 <sup>1/2</sup> | 3 | 11 <sup>5/8</sup> |
| LJ42  | 48 | 5 | 26 <sup>1/2</sup> | 4 <sup>1/2</sup> | 3 | 11 <sup>5/8</sup> |
| LJ54  | 60 | 5 | 26 <sup>1/2</sup> | 4 <sup>1/2</sup> | 3 | 11 <sup>5/8</sup> |

### Countertop Notch Detail

Only required if island countertop overhangs the face of the island



**Note:** Insulated jacket required for all grills installed into a combustable enclosure.

The best outdoor kitchen products come from:  
Lynx Professional Grills,  
6023 East Bandini Blvd.  
Commerce, CA 90040

For more information please call,  
**1-888-879-2322** or visit [www.lynxgrills.com](http://www.lynxgrills.com)

