

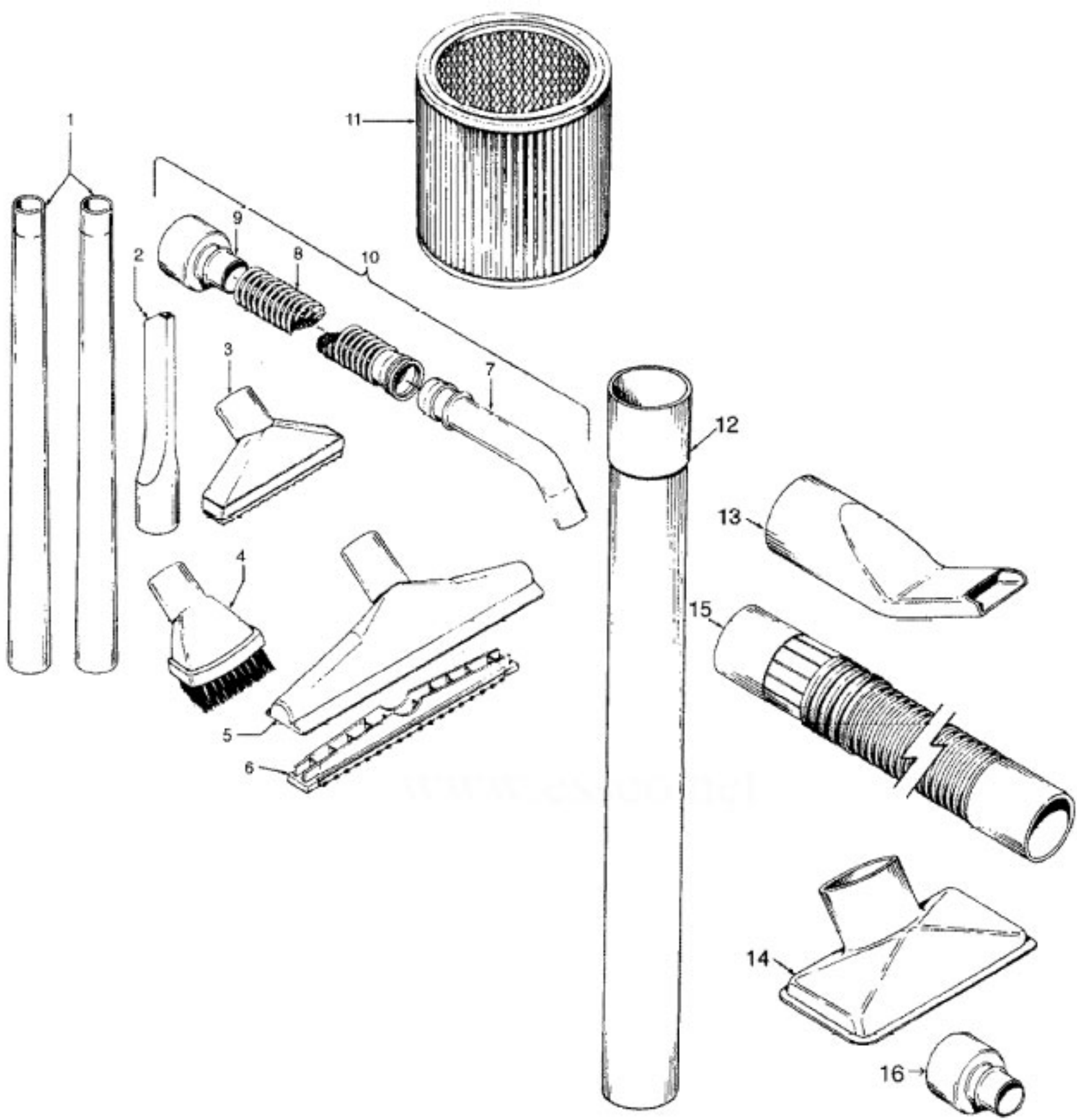
Model Number: S6547---

BOM/Serial #: S6547---

Graphic Title: MAINHOUSING, MOTOR ASSEMBLY

Image	Key	Part Number	Description	Substitution	Qty.
1	1	37232016	EXP-MOTOR COVER		1
1	1	37232014	MOTOR COVER-S6529/43		1
1	2	27482145	STRAIN RELIEF		1
1	3	46543006	ATTACH CORD - 6 FT.		1
1	4	27479307	CABLE TIE		1
1	5	012227--	TERMINALS-0513		1
1	6	21447240	SCREW-TAPPING		1
1	7	43573023	MOTOR ASSEM COMP-1 P		1
1	7	43573018	MOTOR-S6545		1
1	7	43573015	MOTOR ASSEMBLY COMP-		1
1	8	36153051	LATCH		2
1	9	37232020	LID-S6529/43/47		1
1	10	25661015	BALL FLOAT-S6529/43/		1
1	11	21447072	SCREW		6
1	12	36426026	FILTER SUPPORT		1
1	13	40203001	FOAM FILT SLEEVE(12)		1
1	14	23737112	CASTER WHEEL		4
1	15	36432042	CASTER support		4
1	16	28177028	SWITCH-S6529/43/47		1
1	17	21364107	SPEED NUT-S6529/43/4		2
1	18	----	NOT REQUIRED PART OR SEE NOTE		1
1	19	38421004	SWITCH BUTTON		1
1	20	4010074X	PAPER FILTER X - 5-PK		1
1	21	36426023	BAG RETAINER		1
1	22	38777043	TANK-8 GAL.-S6545		1
1	22	38777051	TANK-8 GAL-S6545-600		1
1	22	38777005	CLNR TANK-8 GAL. - S		1
1	24	37911008	DRAIN CAP & SEAL-S65		1
1	25	43611009	CARTRIDGE FILTER		1
1	25	34127004	SWITCH INSULATOR-S65		1
1	26	56514005	OWNER MANUAL-S6547		1
1	26	56514018	OWNER MANUAL-S6530		1
1	28	38614029	FURNITURE NOZZLE-AG		1
1	28	38634078	EXTENSION TUBE-AG		1
1	28	38617024	CREVICE TOOL - AG		1

Image	Key	Part Number	Description	Substitution	Qty.
1	28	43434034	HOSE-WET/DRY-S6529	43434264	1
1	28	39512006	SQUEEGEE		1
1	28	38615008	NOZZLE		1
1	996	21447215	SCREW-SELF TAPPING		4
1	996	27618508	WIRE CONNECTOR		1
1	996	34123045	EXP-SEAL-LID-S6543-0		1



Model Number: S6547---

BOM/Serial #: S6547---

Graphic Title: HOSE, CLEANINGTOOLS

Image	Key	Part Number	Description	Substitution	Qty.
1	1	38634078	EXTENSION TUBE-AG		2
1	2	38617008	CREVICE TOOL		1
1	2	38617024	CREVICE TOOL - AG		1
1	3	38614029	FURNITURE NOZZLE-AG		1
1	4	43414145	DUSTING BRUSH		1
1	5	38615009	NOZZLE		1
1	5	38615008	NOZZLE		1
1	6	39512006	SQUEEGEE		1
1	7	39454059	HAND GRIP		1
1	8	-----	NOT REQUIRED PART OR SEE NOTE		1
1	9	38638061	HOSE CONNECTOR		1
1	10	43434034	HOSE-WET/DRY-S6529	43434264	1
1	11	43611009	CARTRIDGE FILTER		1
1	12	38638032	EXTENSION TUBE		1
1	13	38619016	BLOWER NOZZLE		1
1	14	38614027	UTILITY NOZZLE		1
1	15	43434004	HOSE 2-1/2"		1
1	16	32283002	ADAPTORPTOP		1