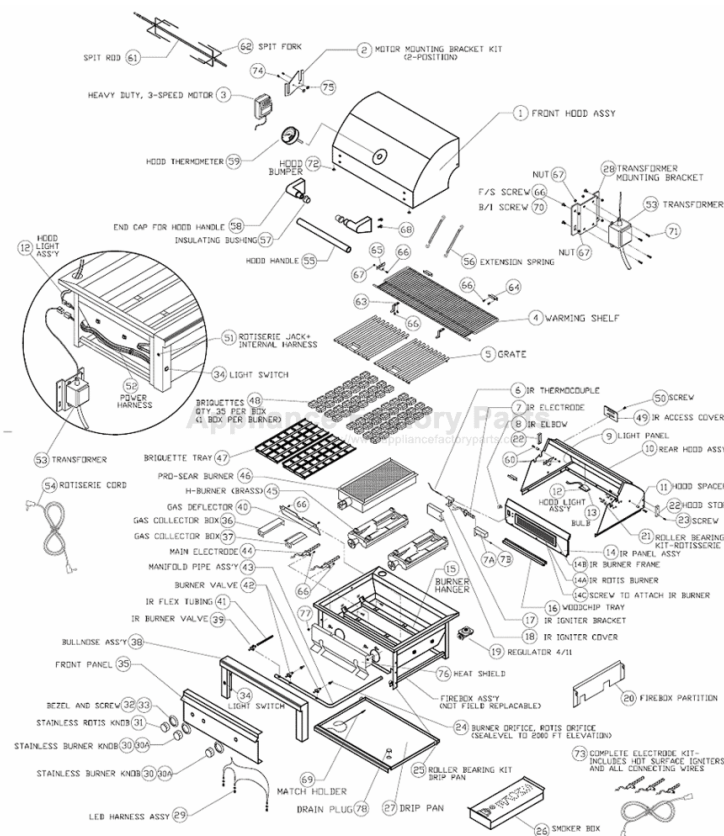


# Lynx LPB Owner's Manual

[Shop genuine replacement parts for Lynx LPB](#)



[Find Your Lynx Grill Parts - Select From 362 Models](#)

----- Manual continues below -----

# SPECIFICATIONS

The guides, measurements and dimensions detailed below are designed to assist you with planning your outdoor kitchen. Please note: because of continuing product innovation, specifications are subject to change without notice.

**Important:** Please reference the Care & Use / Installation Manual for details on gas plumbing requirements, electrical specifications and the proper installation of your Lynx outdoor kitchen equipment. This manual can be downloaded from the Lynx website at [www.lynxgrills.com](http://www.lynxgrills.com)



## TRASH CENTER AND TOWEL DISPENSER

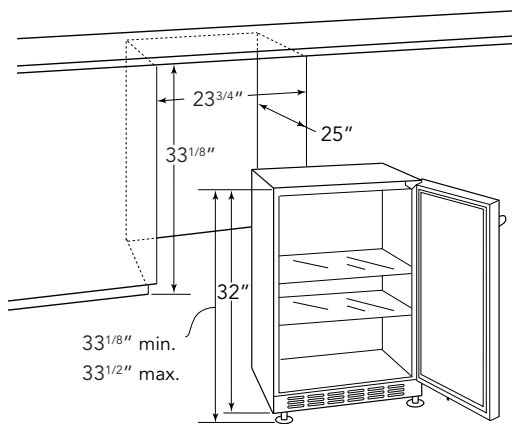
**Trash Center Model No. L18TC**  
Cutout width and height indicated above; depth 13"

**Trash Chute Model No. L18TS**  
Cutout width and depth indicated above; height 4"

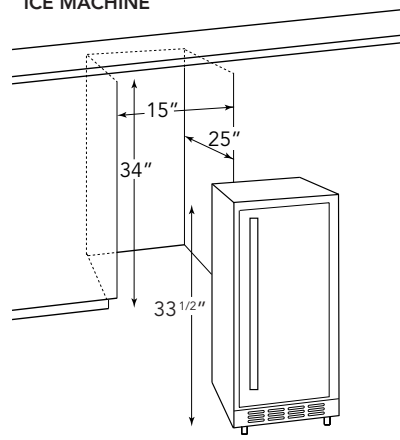
**Towel Dispenser Model No. L16TWL**  
Cutout width and height indicated above; depth 7<sup>1</sup>/<sub>2</sub>"

\*Cocktail Pro should have an open bottom for plumbing and drain access.  
\*\*1" square hole must be located at rear of grill cutout. 120V GFI outlet must be located within 6' of the 1" hole.

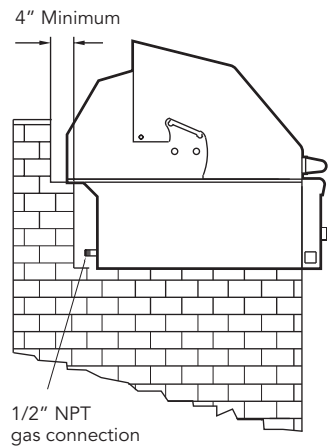
## OUTDOOR REFRIGERATOR



## ICE MACHINE



## CLEARANCE



# SPECIFICATIONS

## PROFESSIONAL GRILLS

Model	A	B	C	D	E	F	G	H
L27	-	26	22	-	-	-	-	-
L30	-	29	24 <sup>1/2</sup>	-	-	-	-	-
L36	-	35	22	-	-	-	-	-
L42	-	41	24 <sup>1/2</sup>	-	-	-	-	-
L54	-	53	24 <sup>1/2</sup>	-	-	-	-	-

## COMPLEMENTARY PRODUCTS

Model	A	B	C	D	E	F	G	H
<b>ACCESS DOORS</b>								
LDR21-1	-	-	-	19 <sup>1/4</sup>	-	-	-	-
LDR27-1	-	-	-	25 <sup>1/4</sup>	-	-	-	-
LDR30-1	-	-	-	28 <sup>1/4</sup>	-	-	-	-
LDR36-2	-	-	-	34 <sup>1/4</sup>	-	-	-	-
LDR42-1	-	-	-	40 <sup>1/4</sup>	-	-	-	-

### SIDE BURNERS

LSB1	12 <sup>1/8</sup>	-	24 <sup>1/2</sup>	-	-	-	-	-
LSB2	12 <sup>1/8</sup>	-	24 <sup>1/2</sup>	-	-	-	-	-
LSB2PC	24 <sup>1/4</sup>	-	24 <sup>1/2</sup>	-	-	-	-	-
LPSGE	12 <sup>1/8</sup>	-	24 <sup>1/2</sup>	-	-	-	-	-
LPB	19	-	22	-	-	-	-	-

### UTILITY DRAWERS

LUDE	-	-	24	-	12 <sup>1/8</sup>	19 <sup>1/4</sup>	-	-
LUDXL	-	-	24 <sup>1/4</sup>	-	17 <sup>1/4</sup>	18 <sup>9/16</sup>	-	-

### WARMING DRAWERS

L30WD	-	-	20 <sup>1/2</sup>	-	-	-	28 <sup>1/2</sup>	10
L42CC	-	-	24 <sup>1/2</sup>	-	-	-	40 <sup>1/4</sup>	19 <sup>3/8</sup>

### COCKTAIL PRO

CS30	-	-	22 <sup>3/4</sup>	-	-	-	-	-
------	---	---	-------------------	---	---	---	---	---

## WITH INSULATED JACKET INSTALLED

Model	A	B	C	D	E	F
LJ27	33	5	24 <sup>1/2</sup>	4 <sup>1/2</sup>	3	11 <sup>5/8</sup>
LJ30	36	5	26 <sup>1/2</sup>	4 <sup>1/2</sup>	3	11 <sup>5/8</sup>
LJ36	42	5	24 <sup>1/2</sup>	4 <sup>1/2</sup>	3	11 <sup>5/8</sup>
LJ42	48	5	26 <sup>1/2</sup>	4 <sup>1/2</sup>	3	11 <sup>5/8</sup>
LJ54	60	5	26 <sup>1/2</sup>	4 <sup>1/2</sup>	3	11 <sup>5/8</sup>

### Countertop Notch Detail

Only required if island countertop overhangs the face of the island



**Note:** Insulated jacket required for all grills installed into a combustable enclosure.

The best outdoor kitchen products come from:  
Lynx Professional Grills,  
6023 East Bandini Blvd.  
Commerce, CA 90040

For more information please call,  
**1-888-879-2322** or visit [www.lynxgrills.com](http://www.lynxgrills.com)

