

This Owner's Manual is provided and hosted by [Appliance Factory Parts](#).



MINDEN GRILL COMPANY

94922 89461 8

Owner's Manual

[Shop genuine replacement parts for MINDEN GRILL COMPANY 94922 89461 8](#)



[Find Your MINDEN GRILL COMPANY Grill Parts - Select From 7 Models](#)

----- Manual continues below -----

Opening Package:

Your grill was packaged in an over box to protect the product during shipping. If there is any visible damage, such as a crushed corner, or puncture, please contact Minden Grill at (888) 985-2249. We will help you report the damage to the carrier. Unless you have some assistance or a hand truck, please do not move the grill after it has been delivered. Once unpackaged, the grill breaks down into (4) assemblies that are easy to transport wherever you want to proceed with your assembly.

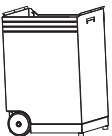
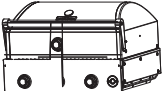

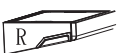


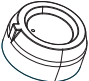
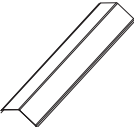

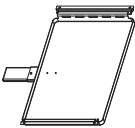

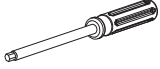


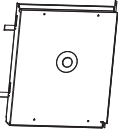
Removing over box:

- 1) Make sure box is on a flat surface with arrows pointing up.
- 2) Using a sharp knife, or box cutter, cut around base, (2) inches from the bottom.
- 3) Lift top of over box off of inner box.

Opening inner box:

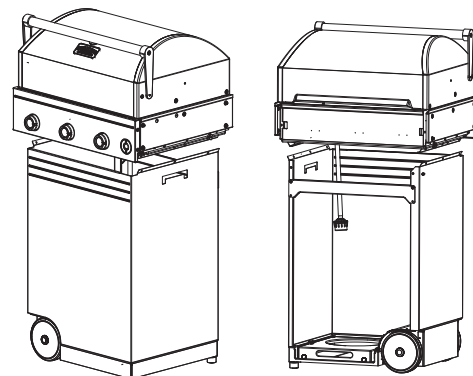
- 1) Remove Straps, and lift inner box straight up, exposing Grill. You should find assembly instructions, tool and fasteners in the top of the package.
- 2) After removing the inner box, you will note that the base is sitting upside down in the package. Lift the base directly up, flip over and place the wheels on the ground.
- 3) Remove Grate and Tray's from packaging.
- 4) Flip the Firebox on to its base, with the lid up in the air.
- 5) Open lid and remove trays from inside of Lid.

You can now move these separate pieces to the location where you want to assemble the grill.

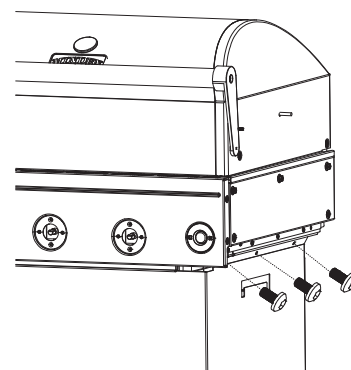
 PS-001 x1	 PS-002 x1	 PS-003  PS-004
 PS-005 x1	 PS-006 x1	 PS-007 x3
 PS-008 x3	 PS-011 x14	 PS-013 x1
 PS-009 L x2	 PS-012 x1	 PS-014 x1
 PS-010 R x2		
 PS-015 x1		

ASSEMBLY

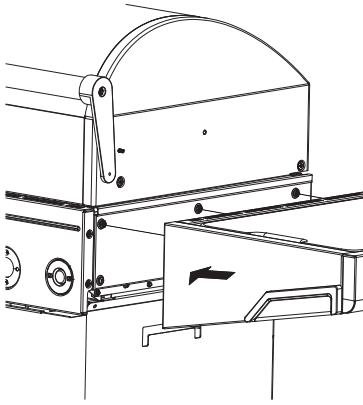
Step 1. After removing all packaging and separating all parts, find Firebox PS-002. Make sure that side trays, PS-003 and PS-004 are removed. Align handle side of firebox with the front (solid side) of Base PS-001. Make sure hose drops inside base when setting Firebox on the base.



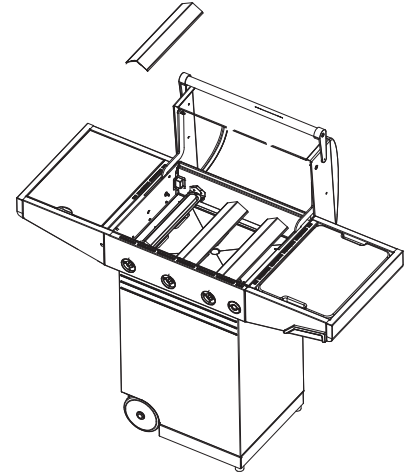
Step 2. Check to see that the Firebox flange is inside of the base flange and make sure that holes are aligned. Secure Firebox to Base using (6) screws.



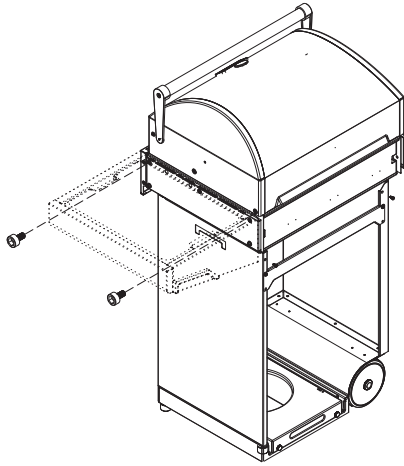
Step 3. Locate Right Side Tray, PS-003, and attach to the Firebox by aligning keyholes on the Side Tray with the (3) screw heads on the Firebox that were installed in the factory. Do the same for the other Side Tray, PS-004.



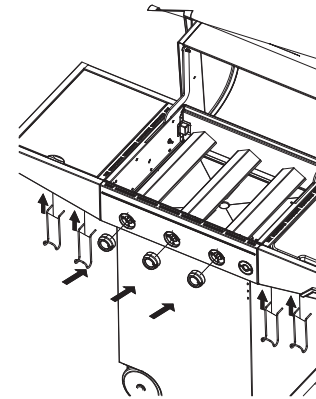
Step 6. Place the (3) Smart Bars, PS-008, over the burners in the Firebox as shown. The packaging for the smart bar identifies the front and back. You may have to use a small amount of force to push into place.



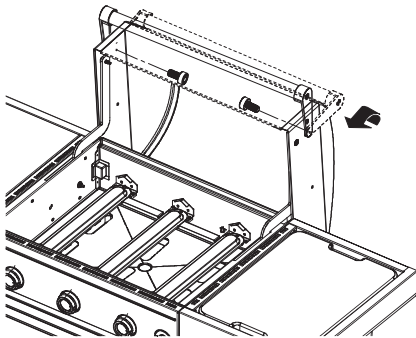
Step 4. Fix each side tray by installing (2) screws in locations shown. It is a little easier if you remove the cutting board and condiment tray to install these screws. Also tighten the factory-installed screws at this time.



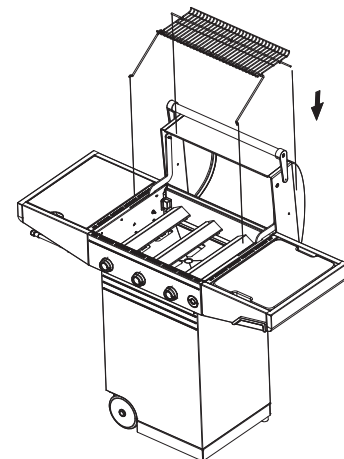
Step 7. Install Wire Tool Holders and knobs.
 a. Install Wire Holders, PS 009 and PS 010, into the front edge of the Side Trays in desired locations. Make sure to install left and right Tool Holders on the appropriate side. Squeeze wires to install in slots on bottom surface of side trays.
 b. Push the 3 Knobs, PS 007, onto the valves as shown.



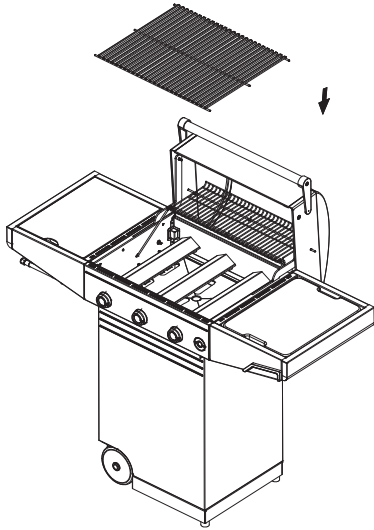
Step 5. Open lid and rotate handle forward until the open holes on the handle brackets align with the open holes on the lid. Secure the handle with (2) screws attached from the inside of the lid.



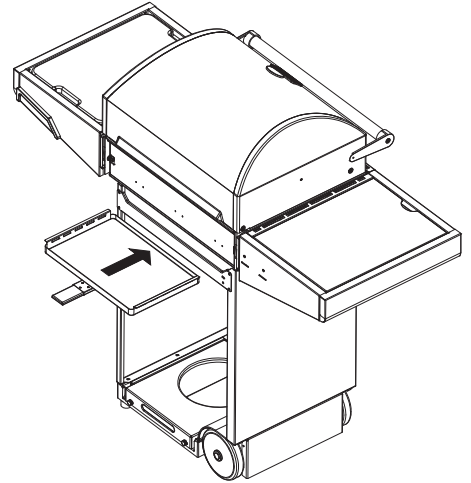
Step 8. Attach Warming Tray, PS 006, by following these steps:
 a. Insert rear pins of warming tray into lid holes by pushing in one side first, then the other side.
 b. Insert the lower bracket of the warming tray into slots located inside of the firebox.



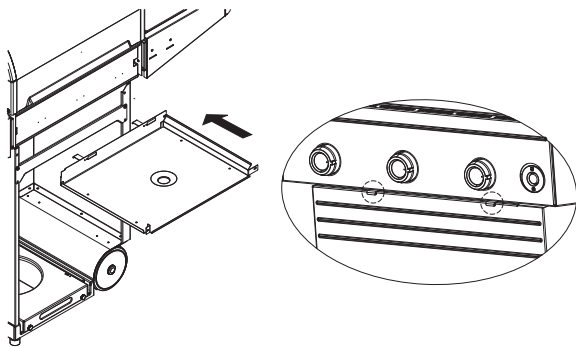
Step 9. Place Grate, PS-005 into Firebox.



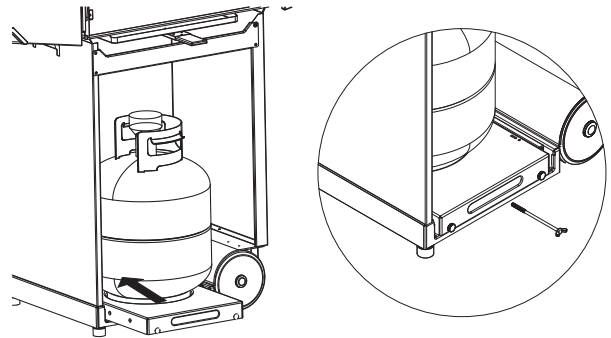
Step 12. Install Grease Tray, PS-013, by sliding into flanges on the Shield.



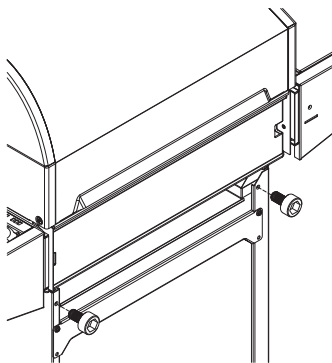
Step 10. Install Shield, PS-015, from the rear of base with tabs on the shield facing towards the front of the grills. Slide shield into base by aligning right side of Shield with the base. While sliding shield in, make sure the tabs on the front of the shield rest on the lip of the front of the base.



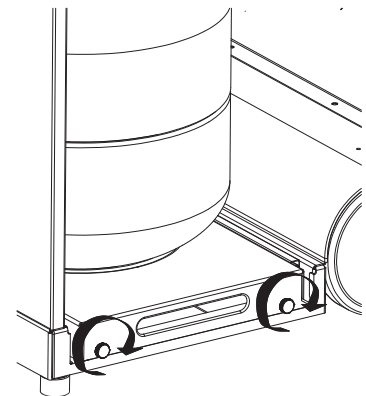
Step 13. Make sure Propane Tank (not included) valve is closed and insert in sliding tray on Base. Secure tank using chains or thumbscrew, depending on grill model.



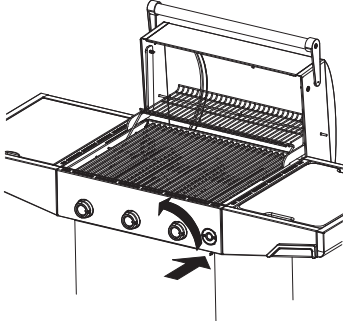
Step 11. Ensure shield tabs are set in place and secure with (2) screws in location shown.



Step 14. Attach hose to tank. Secure tray with the (2) thumbscrews on the base.



- Step 15.** To light grill, follow these steps:
- Open Lid
 - Make sure all Valves on the grill are in the off position. (Clockwise)
 - Open the Valve on the Tank. There should be no gas running at this time.
 - Turn the far right valve to the right, which is the lighting position.
 - Press start button. Check for flame on the right most burner.
 - Turn the other valves to the light position.
 - Adjust Flame as desired.



Product Warranty

Receive a 3-year, end-to-end warranty on all parts. The burners in our units will also be covered for 3-years. Original proof of purchase must be present to honor any warranty related problems.

This warranty does not apply to parts that have been damaged by the user or grills that have been damaged due to mishandling. Warranty claims will only be honored for registered owners of the grill with an original proof of purchase.

In the event you have a warranty claim, call +1 (888) 985-2249 or email grill@mindengrill.com. It is recommended a digital picture be taken of the claimed warranty issue. This will help us better understand the problem and expedite your repair.

Minden Grill may ask you to return the grill or a portion of the grill for repair. Once we have validated the damage, we will send the repaired part directly to you.

For additional warranty information, please visit <http://www.mindengrill.com>.

Care Instructions

Grilling for the first time:

Before grilling on your Minden Master Gas Grill for the first time, turn the grill on and let all burners run on a high temperature for approximately 10 minutes to season your grill.

As needed:

- Clean your drip tray using soap and water to prevent flare backs.
- Remove smoke stains from the grill lid and side burner cover. Carefully remove any smoke stains from the grill lid with a soapy sponge or dishcloth and a very light touch. For the side burner cover, use only warm, soapy water and a sponge or dishcloth. Smoke stains are most likely to occur when your Minden gas grill is new, at the seams of the lid where the porcelain-enameled hood meets the screws. They can also accumulate around the thermometer holder. These stains will stop appearing after your grill has built up a natural seal from accumulated cooking vapors.
- Clean the Smart Bars. If pre-heating the grill and burning off residue by turning the grill on "high" isn't enough to turn any accumulated debris to ashes, occasionally washing the smart bars in warm soapy water will be sufficient maintenance.
- Clean the warming racks and control panel. A soapy, sponge or dishcloth will keep the warming racks clean and free of smoke stains and debris. Use a super fine steel wool cloth to remove grease spots and stains from the control panel, but use a very light touch so as to not scratch the porcelain. Rinse thoroughly.

- Clean the outside of the firebox. You should clean up grease drippings on these exterior surfaces as soon as possible. Grease is toxic to painted surfaces. Use mild, soapy water and rinse thoroughly. Harsh or lemon-based cleaners can ruin the paint finish on the grill.

Avoid the following:

- Never wax or paint the lid. The finish on your grill is baked-on porcelain enamel, so you never have to wax or paint it. This finish is glossier and much more durable than paint, and wax will only streak when the grill gets hot. So just wipe the lid down with warm, soapy water when it gets dusty or dirty.
- Never use oven cleaner on your gas grill. Oven cleaner is not friendly to the painted surfaces of your grill and can remove the paint.

Replacement Parts:

You can purchase replacement parts and accessories on the Minden Grill website at <http://www.mindengrill.com>. Call Minden Grill Customer Service at 1-888-985-2249 for any additional questions, comments or concerns.

TROUBLE SHOOTING

Problem	Possible Cause	Solution
Igniter won't work	Bad igniter	Replace igniter assy
	Wire is broken	Replace igniter assy
	Wire is loose	Reconnect wire
	Spark interrupted	Remove grate and right most smart bar. Check that there is no material or food between igniter wire and burner and make sure that the gap between the wire and burner is about 4mm or 1/8 in.
Burner won't light	Cylinder valve is closed	Open valve
	Cylinder is low	Replace cylinder
	Blockage in gas flow	Clean burner tube
Sudden drop in gas flow or low flame	Out of gas	Check for gas cylinder
	Excess flow valve tripped	Turner off knobs, wait 30 seconds and light grill again
Flame blow out	High or gusting winds	Increase flame
	Cylinder is low	Replace cylinder
	Excess flow valve tripped	Turn off knobs, wait 30 seconds and light grill again
Flare-up	Grease buildup	Clean grill
	Excessive cooking temperature	Decrease flame
Yellow flames	Obstruction in burner tube	Clean burner tube
	Seasoning salts on burner	Clean burner following cleaning instruction
	Oil film on burner	Allow burner to operate on Hi for 10-15 minutes

Minden Grill Company, Inc.
2222 2D Park Place
Minden, NV. 89423

Tel: (888) 985-2249
Email: grill@mindengrill.com
Web: <http://www.mindengrill.com>