

This Owner's Manual is provided and hosted by [Appliance Factory Parts](#).



# Weber 83851001 Owner's Manual

[Shop genuine replacement parts for Weber 83851001](#)



[Find Your Weber Grill Parts - Select From 2037 Models](#)

----- Manual continues below part list -----

## Available Replacement Parts for Weber 83851001

<a href="#">119-5000-0</a>	GGK IGNITOR
<a href="#">93305</a>	CATCH PAN KIT ALUMINUM
<a href="#">42140</a>	FTTG QD ASSY 3/8 NG
<a href="#">67088</a>	THERM F/C GEN 18 US
<a href="#">67717</a>	BEZEL THERM GEN/SUM 07
<a href="#">88206</a>	HDWE LID TO FIREBOX ASSY
<a href="#">60393</a>	THERM SUMMIT WO/TAB W/WSHR
<a href="#">67718</a>	HNDL SHROUD GEN B/C 07
<a href="#">81335</a>	CROSSOVER TUBE GEN 07
<a href="#">70332</a>	ADJUSTABLE DOOR HINGE 07
<a href="#">67734</a>	TRIM PC LHS PLAT GEN 300
<a href="#">88063</a>	HDWE TANK BLOCKER SUMM '07
<a href="#">81803</a>	HDWE KIT SUM 07
<a href="#">81270</a>	MAGNET DOOR GEN/SUM 07
<a href="#">88082</a>	HANDLE DOOR GEN SINGLE 07/08
<a href="#">30129501</a>	CONTROL KNOB
<a href="#">67750</a>	BEZEL CENTR CNTRL GEN 07 USA
<a href="#">67751</a>	BEZEL FRONT CNTRL GEN 07 USA
<a href="#">81316</a>	BUTTON GRAY IGN MOD GEN 07
<a href="#">81315</a>	IGNITER MODULE ELEC GEN 07
<a href="#">88210</a>	HDWE BURNER TUBE GEN 07
<a href="#">67755</a>	REAR PANEL PLAT GEN 300
<a href="#">81544</a>	ASSY MATCH STICK HOLDER OUS
<a href="#">70359</a>	CASTER W/O LOCK GEN/SUM 07
<a href="#">67762</a>	HDWE J-NUT/WSHR/SCW HH 1/4-20 (6pk)
<a href="#">70360</a>	CASTER LOCKING GEN/SUM 07
<a href="#">7528</a>	GRATES COOK GEN 300 SS, Aftermarket
<a href="#">67764</a>	HINGE ROD S/B GEN 07/SUM 10
<a href="#">67775</a>	S/B ASSY LP US GEN 07
<a href="#">67765</a>	HDWE SB/TABLE GEN 300

<a href="#">42425</a>	ORIFICE S/B GEN NG
<a href="#">81252</a>	RUBBER LID BUMPER S/B SUM 07
<a href="#">67776</a>	S/B ASSY NG 7" US GEN 07
<a href="#">30125801</a>	CNTRL KNOB S/B GRAY GEN 07
<a href="#">67820</a>	BURNR TUBES GEN 300 US 08
<a href="#">67829</a>	COOKBOX GEN 300 '08
<a href="#">67847</a>	IGNITER KIT GENESIS 300 '08
<a href="#">88070</a>	HDWE MOUNT COOKBX GEN 300 08
<a href="#">67850</a>	FRAME LHS GEN 300 LP '08
<a href="#">67844</a>	FRAME CONN REAR GEN 300 '08
<a href="#">88228</a>	HDWE MFLD GEN 310/320 08
<a href="#">67620</a>	MFLD GEN 320 NG US 08
<a href="#">82792</a>	BTM PNL PLAT NG GEN 300 09
<a href="#">67876</a>	S/B ASSY NG 7 inch US GEN 09
<a href="#">99263</a>	HOSE NG W/QCK DISC CAN/USA
<a href="#">91357</a>	DOOR MAGNET GEN/SUM/SPRT 09
<a href="#">91173</a>	RING S/B SUMMIT '03
<a href="#">91174</a>	IGN ASSY S/B GEN/SUM '07
<a href="#">65054</a>	RACK WARMING GEN 300 '14
<a href="#">81168</a>	KIT CONTROL KNOB GEN 300
<a href="#">17553</a>	DELUXE COVER PVC FOR GENESIS 300
<a href="#">7553</a>	CVR PREM GEN E/S-300 SERIES
<a href="#">65937</a>	GRATES COOK GEN 300 ENM C.I.
<a href="#">65944</a>	FLAVORIZER SET ENM GENESIS E
<a href="#">7130</a>	GRILL COVER PREMIUM GENESIS 300 AMER
<a href="#">7652</a>	GENESIS ROTISSERIE - 2&3B GRILLS - AMER
<a href="#">82184</a>	GRATE SS ROD GEN '13
<a href="#">65506</a>	TRIVET SS S/B GENESIS '15
<a href="#">65935</a>	FLAVORIZER SET SS GENESIS E/S
<a href="#">HXM7540</a>	FLAVOR BARS SET OF 5 PORCELAIN STEEL
<a href="#">6415-25</a>	drip pan small 25 pack aftermarket

# GENESIS®



## GAS GRILL

### LP Gas Grill Owner's Guide

Guía del propietario del asador de gas licuado de propano - Pg 23

Guide de l'utilisateur du grill à gaz PL - Pg 39

310/320

#89478



**YOU MUST READ THIS OWNER'S GUIDE BEFORE OPERATING YOUR GAS GRILL.**

**⚠ DANGER**

If you smell gas:

1. Shut off gas to the appliance.
2. Extinguish any open flames.
3. Open lid.
4. If odor continues, keep away from the appliance and immediately call your gas supplier or your fire department.

Leaking gas may cause a fire or explosion which can cause serious bodily injury or death, or damage to property.

**⚠ WARNING:**

1. Do not store or use gasoline or other flammable liquids or vapors in the vicinity of this or any other appliance.
2. An LP cylinder not connected for use shall not be stored in the vicinity of this or any other appliance.

**⚠ WARNING:** Follow all leak-check procedures carefully in this manual prior to barbecue operation. Do this even if the barbecue was dealer-assembled.

**NOTICE TO INSTALLER:** These instructions must be left with the owner and the owner should keep them for future use.

**THIS GAS APPLIANCE IS DESIGNED FOR OUTDOOR USE ONLY.**

**⚠ WARNING:** Do not try to light this appliance without reading the "Lighting Instructions" section of this manual.



89478 9/24/09 LP  
US ENGLISH

# WARNINGS

## ⚠ DANGER

Failure to follow the Dangers, Warnings and Cautions contained in this Owner's Manual may result in serious bodily injury or death, or in a fire or an explosion causing damage to property.

## ⚠ WARNINGS

- ⚠ Do not store a spare or disconnected liquid propane cylinder under or near this barbecue.
- ⚠ Improper assembly may be dangerous. Please follow the assembly instructions carefully.
- ⚠ After a period of storage, and/or nonuse, the Weber® gas barbecue should be checked for gas leaks and burner obstructions before use. See instructions in this manual for correct procedures.
- ⚠ Do not operate the Weber® gas barbecue if there is a gas leak present.
- ⚠ Do not use a flame to check for gas leaks.
- ⚠ Combustible materials should never be within 24 inches (61 cm) of the back or sides of your Weber® gas barbecue.
- ⚠ Do not put a barbecue cover or anything flammable on, or in the storage area under the barbecue.
- ⚠ Your Weber® gas barbecue should never be used by children. Accessible parts of the barbecue may be very hot. Keep young children away while it is in use.
- ⚠ You should exercise reasonable care when operating your Weber® gas barbecue. It will be hot during cooking or cleaning and should never be left unattended, or moved while in operation.
- ⚠ Should the burners go out while in operation, turn all gas valves off. Open the lid and wait five minutes before attempting to relight, using the lighting instructions.
- ⚠ Do not use charcoal or lava rock in your Weber® gas barbecue.
- ⚠ Never lean over open grill or place hands or fingers on the front edge of the cooking box.
- ⚠ Should a grease fire occur, turn off all burners and leave lid closed until fire is out.
- ⚠ Do not enlarge valve orifices or burner ports when cleaning the valves or burners.
- ⚠ The Weber® gas barbecue should be thoroughly cleaned on a regular basis.
- ⚠ Liquid propane gas is not natural gas. The conversion or attempted use of natural gas in a liquid propane unit or liquid propane gas in a natural gas unit is dangerous and will void your warranty.
- ⚠ Do not attempt to disconnect any gas fitting while your barbecue is in operation.
- ⚠ Use heat-resistant barbecue mitts or gloves when operating barbecue.
- ⚠ Keep any electrical supply cord and the fuel supply hose away from any heated surfaces.
- ⚠ Combustion byproducts produced when using this product contain chemicals known to the state of California to cause cancer, birth defects, or other reproductive harm.
- ⚠ Do not use this barbecue unless all parts are in place. The unit must be properly assembled according to the assembly instructions.
- ⚠ Do not build this model of grill in any built-in or slide in construction. Ignoring this Warning could cause a fire or an explosion that can damage property and cause serious bodily injury or death.
- ⚠ Proposition 65 Warning: Handling the brass material on this product exposes you to lead, a chemical known to the state of California to cause cancer, birth defects or other reproductive harm.  
(*Wash hands after handling this product.*)

### LIQUID PROPANE GAS UNITS ONLY:

- ⚠ Use the pressure regulator and hose assembly that is supplied with your Weber® gas barbecue.
- ⚠ Do not attempt to disconnect the gas regulator and hose assembly or any gas fitting while your barbecue is in operation.
- ⚠ A dented or rusty liquid propane cylinder may be hazardous and should be checked by your liquid propane supplier. Do not use a liquid propane cylinder with a damaged valve.
- ⚠ Although your liquid propane cylinder may appear to be empty, gas may still be present, and the cylinder should be transported and stored accordingly.
- ⚠ If you see, smell or hear the hiss of escaping gas from the liquid propane cylinder:
  1. Move away from liquid propane cylinder.
  2. Do not attempt to correct the problem yourself.
  3. Call your fire department.

# WARRANTY, GARANTÍA, GARANTIE

Weber-Stephen Products Co. (Weber) hereby warrants to the ORIGINAL PURCHASER of this Weber® gas grill that it will be free of defects in material and workmanship from the date of purchase as follows:

Aluminum castings	25-years (2 years on paint; excludes fading)
Stainless steel Shroud,	25-years;
Porcelain-enameled shroud,	25-years
Cookbox Assembly	10-years (2 year on paint excludes fading)
Stainless steel burners tubes,	10-years
Stainless steel cooking grates,	5-years no rust through or burn through
Stainless steel Flavorizer bars,	5-years no rust through or burn through
Porcelain-enameled cast-iron cooking grates,	5-year no rust through or burn through
Porcelain-enameled cooking grates,	3-years no rust through or burn through
Porcelain-enameled Flavorizer bars,	2-years no rust through or burn through
Infrared Rotisserie Burner,	2-years
All remaining parts,	2-years

when assembled and operated in accordance with the printed instructions accompanying it. Weber may require reasonable proof of your date of purchase. THEREFORE, YOU SHOULD RETAIN YOUR SALES SLIP OR INVOICE.

This Limited Warranty shall be limited to the repair or replacement of parts that prove defective under normal use and service and which on examination shall indicate, to Weber's satisfaction, they are defective. Before returning any parts, contact the Customer Service Representative in your area using the contact information on our website. If Weber confirms the defect and approves the claim, Weber will elect to replace such parts without charge. If you are required to return defective parts, transportation charges must be prepaid. Weber will return parts to the purchaser, freight or postage prepaid.

This Limited Warranty does not cover any failures or operating difficulties due to accident, abuse, misuse, alteration, misapplication, vandalism, improper installation or improper maintenance or service, or failure to perform normal and routine maintenance, including but not limited to damage caused by insects within the burner tubes, as set out in this owner's manual. Deterioration or damage due to severe weather conditions such as hail, hurricanes, earthquakes or tornadoes, discoloration due to exposure to chemicals either directly or in the atmosphere, is not covered by this Limited Warranty.

There are no other express warrants except as set forth herein and any applicable implied warranties of merchantability and fitness are limited in duration to the period of coverage of this express written Limited Warranty. Some regions do not allow limitation on how long an implied warranty lasts, so this limitation may not apply to you.

Weber is not liable for any special, indirect or consequential damages. Some regions do not allow the exclusion or limitation of incidental or consequential damages, so this limitation or exclusion may not apply to you.

Weber does not authorize any person or company to assume for it any other obligation or liability in connection with the sale, installation, use, removal, return, or replacement of its equipment; and no such representations are binding on Weber.

This Warranty applies only to products sold at retail.

**WEBER-STEPHEN PRODUCTS CO.**  
**Customer Service Center**  
**1890 Roselle Road, Suite 308**  
**Schaumburg, IL 60195**  
**USA**

**For replacement parts call:**  
**1-800-446-1071**

**Visit [www.weber.com](http://www.weber.com)®, select your country of origin, and register your grill today.**

Weber-Stephen Products Co., (Weber) mediante la presente le garantiza al COMPRADOR ORIGINAL de esta barbacoa de gas Weber® que la misma estará libre de defectos en cuanto a materiales y fabricación a partir de la fecha de compra según lo siguiente:

Piezas coladas de aluminio	25-años (2 años para la pintura excluyendo la decoloración)
Cubierta de acero inoxidable,	25-años
Cubierta porcelanizada,	25-años
Cámara para asar	10-años (2 años para la pintura excluyendo la decoloración)
Tubos de acero inoxidable de los quemadores,	10-años
Parrillas de cocción de acero inoxidable,	5-años sin perforación por fuego u oxidación
Barras Flavorizer de acero inoxidable,	5-años sin perforación por fuego u oxidación
Parrillas de cocción de hierro colado porcelanizado,	5-años sin perforación por fuego u oxidación
Parrillas de cocción porcelanizadas,	3-años sin perforación por fuego u oxidación
Barras Flavorizer porcelanizadas,	2-años sin perforación por fuego u oxidación
Quemador infrarrojo del asador giratorio,	2-años
Todas la demás partes,	2-años

cuando se ensambla y opera de acuerdo a las instrucciones impresas que la acompañan.

Weber pudiese requerir prueba razonable de la fecha de compra. POR LO TANTO, DEBERÁ GUARDAR SU RECIBO O FACTURA DE VENTA.

Esta garantía limitada está limitada a la reparación o reemplazo de piezas que resultasen defectuosas bajo uso y servicio normal y las cuales al examinarlas indiquen, a plena satisfacción de Weber, que efectivamente son piezas defectuosas. Antes de devolver cualquier parte, contacte al Representante de Atención al Cliente en su área, cuya información de contacto la encontrará en nuestro sitio web. Si Weber confirma el defecto y aprueba el reclamo, ésta elegirá reparar o reemplazar tal pieza sin cargo alguno. Si usted tiene que retornarnos las partes defectuosas, los gastos de transporte deben ser prepagados. Weber retornará las partes al comprador con transporte o franquero prepagado.

Esta Garantía Limitada no cubre ninguna falla o problema de operación a causa de accidentes, abuso, mal uso, alteración, uso en aplicaciones indebidas, vandalismo, instalación inapropiada o mantenimiento o servicio inapropiados, o por no llevar a cabo el mantenimiento normal y rutinario, entre los que se incluyen, pero sin limitación, los daños causados por insectos dentro de los tubos quemadores, según se detalla en este manual del propietario.

Esta Garantía Limitada no cubre el deterioro o daños a causa de condiciones de tiempo inclemente tales como granizo, huracanes, terremotos o tornados ni tampoco la decoloración por exposición a sustancias químicas bien sea por contacto directo o por que las mismas contenidas en la atmósfera.

No existe ninguna otra garantía expresa que no sean las las acá indicadas y cualesquier garantías implícitas de comerciabilidad y aptitud de uso están limitadas en duración al tiempo de cobertura de esta expresa Garantía Limitada por escrito. Algunas regiones no permiten limitación alguna en el tiempo que una garantía implícita pueda durar, por lo que esta limitación pudiera no aplicarle a usted. Weber no se hace responsable de cualesquier daños especiales, indirectos o emergentes. Algunas regiones no permiten la exclusión o limitación de daños incidentales o emergentes, por lo que esta limitación o exclusión pudieran no aplicarle a usted.

Weber no autoriza a persona o empresa alguna a asumir en su nombre ninguna obligación o responsabilidad en relación con la venta, instalación, uso, retiro, devolución o reemplazo de sus equipos, y ninguna tal representación será vinculante para Weber.

Esta Garantía aplica solo a aquellos productos vendidos al por menor.

**WEBER-STEPHEN PRODUCTS CO.**  
**Customer Service Center**  
**1890 Roselle Road, Suite 308**  
**Schaumburg, IL 60195**  
**USA**

**Para partes de repuesto llame a:**  
**(52) (33) 3615-0736**  
**[www.weber.com](http://www.weber.com)**

**Visite [www.weber.com](http://www.weber.com)®, seleccione su país de origen y registre su barbacoa hoy.**

**Para partes de repuesto llame a:**  
**1-800-446-1071**  
**[www.weber.com](http://www.weber.com)**

**Para compras hechas en México**  
**WEBER-STEPHEN PRODUCTS S.A.**  
**de C.V.**  
**Marcella No. 338,**  
**Colonia Americana**  
**44160 México, C.P.**  
**México**

Weber-Stephen Products Co. (Weber) garantit par le présent document à l'ACHETEUR D'ORIGINE de ce grill à gaz Weber® que celui-ci ne comportera aucun défaut de pièce ni de main d'oeuvre à compter de la date d'achat comme suit :

Fonte d'aluminium	25 ans (2 ans pour l'apinture à l'exception de toute décoloration)
Structure en acier inoxydable,	25 ans
Structure émaillée,	25 ans
Cuve,	10 ans (2 ans pour la peinture à l'exception de toute décoloration)
Tubos du brûleur en acier inoxydable,	10 ans
Grilles de cuisson en acier inoxydable,	5 ans sans trou provoqué par la rouille ou par une brûlure
Barras Flavorizer en acier inoxydable,	5 ans sans trou provoqué par la rouille ou par une brûlure
Grilles de cuisson en fonte fer émaillée,	5 ans sans trou provoqué par la rouille ou par une brûlure
Grilles de cuisson émaillées,	3 ans sans trou provoqué par la rouille ou par une brûlure
Barras Flavorizer émaillées,	2 ans sans trou provoqué par la rouille ou par une brûlure
Brûleur de la rotissoire à infrarouge,	2 ans
Toutes les autres pièces,	2 ans

à condition qu'il ait été assemblé et utilisé conformément aux instructions imprimées qui l'accompagnent.

Weber peut exiger une preuve raisonnable de votre date d'achat. VOUS DEVRIEZ DONC CONSERVER VOTRE TICKET DE CAISSE OU VOTRE FACTURE.

La présente Garantie limitée est limitée à la réparation ou au remplacement des pièces qui s'avèrent défectueuses dans le cadre d'une utilisation normale et d'un entretien normal et dont l'examen indique, à la satisfaction de Weber, qu'elles sont défectueuses. Avant de retourner toute pièce, veuillez entrer en contact avec le Représentant du Service clientèle le plus proche grâce aux coordonnées à votre disposition sur notre site Internet. Si Weber confirme le défaut et approuve la demande, Weber choisira de remplacer ces pièces sans frais. S'il vous est demandé de retourner les pièces défectueuses, les frais de transport devront être prépayés. Weber retournera les pièces à l'acheteur, franco de port.

La présente Garantie limitée ne couvre pas toute défaillance ou difficulté d'utilisation provoquée par un accident, une utilisation abusive, une mauvaise utilisation, une altération, une mauvaise application, un acte de vandalisme, une installation incorrecte ou une maintenance ou un entretien incorrects, ou

le défaut d'entretien normal et régulier, y compris mais pas seulement les dommages provoqués par des insectes à l'intérieur des tubes du brûleur, tel que décrit dans le présent mode d'emploi. Toute détérioration ou tout dommage résultant de conditions météorologiques graves comme de la grêle, des ouragans, des séismes ou des tornades, toute décoloration résultant d'une exposition à des agents chimiques directement ou dans l'atmosphère, n'est pas couverte dans le cadre de la présente Garantie limitée.

Il n'existe aucune autre garantie expresse hormis celles exposées dans le présent document et toute garantie de commercialisation et de bon état induite est limitée en durée à la période de couverture de la présente Garantie limitée écrite expresse. Certaines régions n'autorisent pas de limitation de durée de la garantie induite ; il est donc possible que cette limitation ne s'applique pas à vous.

Weber ne peut être tenu pour responsable de tout dommage particulier, induit ou se produisant par voie de conséquence. Certaines régions n'autorisent pas l'exclusion ou la limitation des dommages indirects ou se produisant par voie de conséquence ; il est donc possible que cette limitation ou exclusion ne s'applique pas à vous.

Weber n'autorise aucune personne ou société à présumer en son nom de toute autre obligation ou responsabilité en relation avec la vente, l'installation, l'utilisation, le retrait, le retour ou le remplacement de ses équipements ; et aucune de ces représentations ne lie Weber. La présente Garantie s'applique uniquement aux produits vendus au détail.

**WEBER-STEPHEN PRODUCTS CO.**  
**Product Registration**  
**P.O. Box 40530**  
**Burlington, ON L7P 4W1**

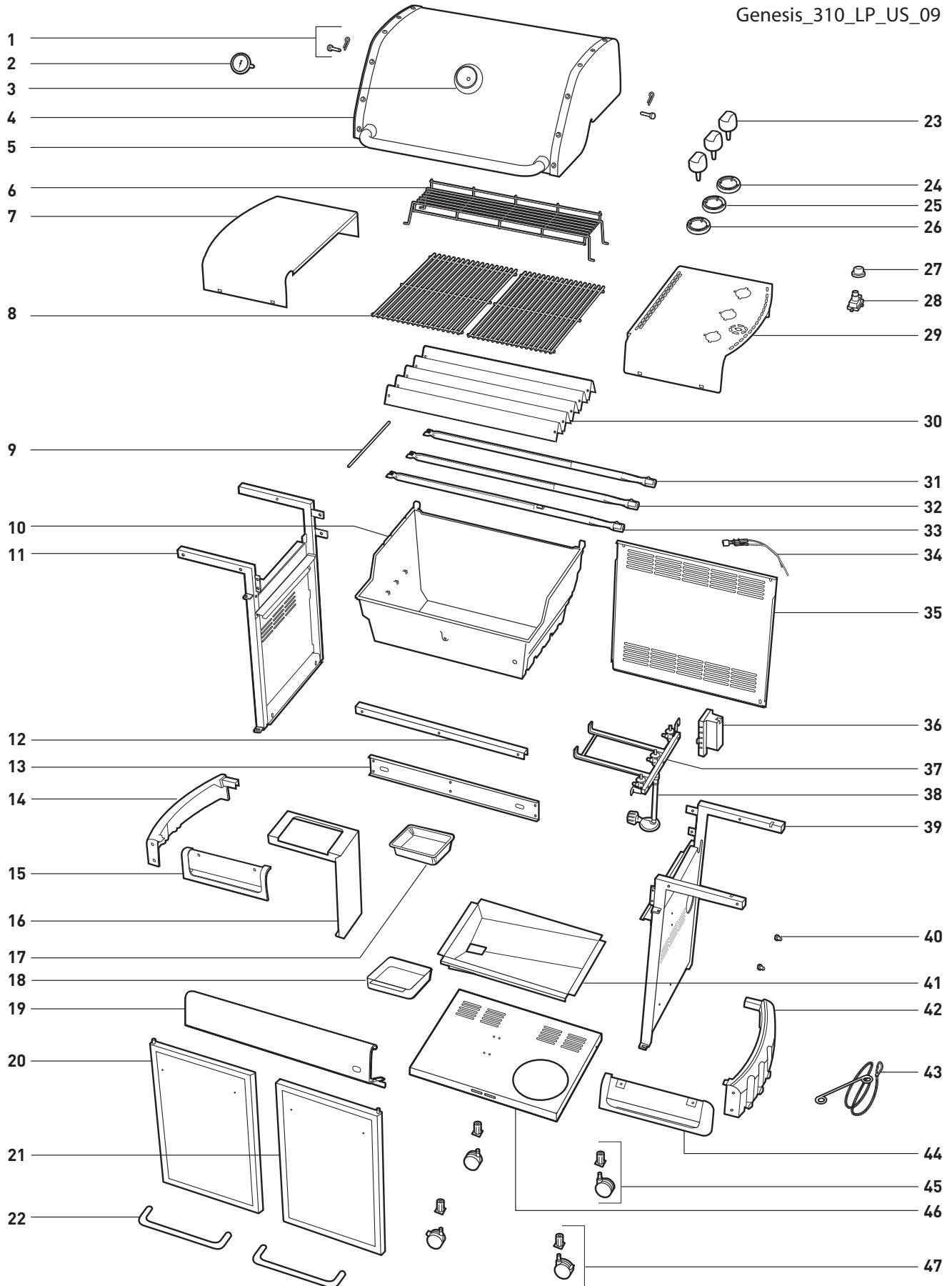
**Connectez-vous sur [www.weber.com](http://www.weber.com)®, sélectionnez votre pays d'origine, et enregistrez votre grill aujourd'hui.**

**Pour des pièces de rechange, appelez le :**  
**1-800-265-2150**  
**[www.weber.com](http://www.weber.com)**

# EXPLODED VIEW 310

## VISION ÉCLATÉE, DIAGRAMA DE DESPIECE

Genesis\_310\_LP\_US\_09



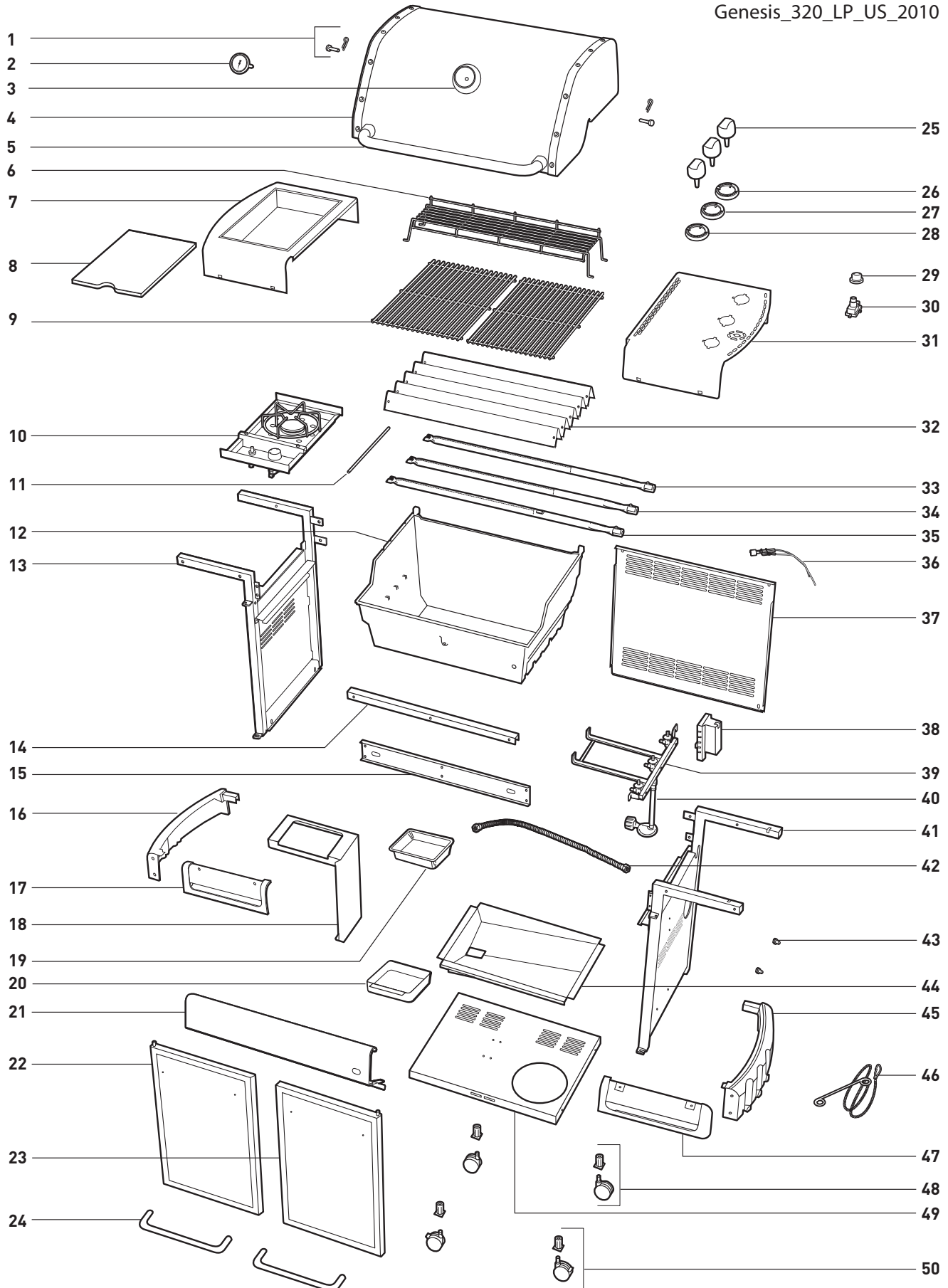
## LISTA DEL DIAGRAMA DE DESPIECE, LISTE DE LA VISION ÉCLATÉE

- |  |   |   |
|--|---|---|
| 1. <b>Shroud Hardware</b><br>Accesorios de la cubierta<br>Structure de protection                            | 18. <b>Catch Pan</b><br>Plato recolector<br>Egouttoir                                 | 35. <b>Back Panel</b><br>Panel trasero<br>Panneau arrière   |
| 2. <b>Thermometer</b><br>Termómetro<br>Thermomètre   | 19. <b>Front Panel</b><br>Panel frontal<br>Panneau avant                              | 36. <b>Tank Scale</b><br>Báscula del tanque<br>Plateau de la bouteille                                      |
| 3. <b>Thermometer Bezel</b><br>Moldura decorativa del termómetro<br>Plaque indicatrice du thermomètre        | 20. <b>Left Door</b><br>Puerta izquierda<br>Porte gauche                              | 37. <b>Manifold</b><br>Múltiple<br>Collecteur   |
| 4. <b>Shroud</b><br>Cubierta<br>Tôle de protection   | 21. <b>Right Door</b><br>Puerta derecha<br>Porte droite                               | 38. <b>Hose / Regulator</b><br>Manguera / Regulador<br>Tuyau/Régulateur                                     |
| 5. <b>Handle</b><br>Asa<br>Poignée   | 22. <b>Door Handle</b><br>Asa de la puerta<br>Poignée de porte                        | 39. <b>Right Frame Panel</b><br>Panel derecho del bastidor<br>Panneau du cadre droit                        |
| 6. <b>Warming Rack</b><br>Rejilla de calentamiento<br>Grille de réchauffage                                  | 23. <b>Control Knob</b><br>Perilla de control<br>Bouton de commande                   | 40. <b>Tank Glides</b><br>Deslizaderas del tanque<br>Glissières de la bouteille                             |
| 7. <b>Left Side Table</b><br>Mesa lateral izquierda<br>Tablette latérale gauche                              | 24. <b>Bezel #3</b><br>Moldura decorativa #3<br>Plaque indicatrice N° 3               | 41. <b>Drip Tray</b><br>Bandeja de goteo<br>Egouttoir   |
| 8. <b>Cooking Grates</b><br>Parrillas de cocción<br>Grilles de cuisson                                       | 25. <b>Bezel #2</b><br>Moldura decorativa #2<br>Plaque indicatrice N° 2               | 42. <b>Right Trim Piece</b><br>Pieza de guarnición derecha<br>Pièce de garniture droite                     |
| 9. <b>Crossover® Tube</b><br>Tubo Crossover®<br>Tuyau Crossover®   | 26. <b>Bezel #1</b><br>Moldura decorativa #1<br>Plaque indicatrice N° 1               | 43. <b>Matchstick Holder</b><br>Portacerillos<br>Porte-allumette  |
| 10. <b>Cookbox</b><br>Caja de cocción<br>Boîtier de cuisson  | 27. <b>Igniter Button</b><br>Botón de encendido<br>Bouton d'allumage                  | 44. <b>Right Front Trim Piece</b><br>Pieza de guarnición frontal derecha<br>Pièce de garniture avant droite |
| 11. <b>Left Frame Panel</b><br>Panel izquierdo del bastidor<br>Panneau du cadre gauche                       | 28. <b>Igniter Module</b><br>Módulo de encendido<br>Module d'allumage                 | 45. <b>Caster</b><br>Rueda giratoria<br>Roulette  |
| 12. <b>Rear Frame Support</b><br>Soporte posterior del bastidor<br>Support arrière du cadre                  | 29. <b>Right Side Table</b><br>Mesa lateral derecha<br>Tablette latérale droite       | 46. <b>Bottom Panel</b><br>Panel inferior<br>Panneau inférieur  |
| 13. <b>Front Frame Support</b><br>Soporte delantero del bastidor<br>Support avant du cadre                   | 30. <b>Flavorizer® Bar</b><br>Barra Flavorizer®<br>Barre Flavorizer®                  | 47. <b>Locking Caster</b><br>Rueda giratoria con bloqueo<br>Roulette autobloquante                          |
| 14. <b>Left Trim Piece</b><br>Pieza de guarnición izquierda<br>Pièce de garniture gauche                     | 31. <b>Rear Burner Tube</b><br>Tubo quemador posterior<br>Tube du brûleur arrière     |   |
| 15. <b>Left Front Trim Piece</b><br>Pieza de guarnición frontal izquierda<br>Pièce de garniture avant gauche | 32. <b>Middle Burner Tube</b><br>Tubo quemador del medio<br>Tube du brûleur du milieu |   |
| 16. <b>Catch Pan Holder</b><br>Soporte del plato recolector<br>Support d'égouttoir                           | 33. <b>Front Burner Tube</b><br>Tubo quemador frontal<br>Tube du brûleur avant        |   |
| 17. <b>Disposable Drip Pan</b><br>Bandeja de goteo desechable<br>Egouttoir jetable                           | 34. <b>Igniter Electrode</b><br>Electrodo del encendedor<br>Igniter Electrode         |   |

# EXPLODED VIEW 320

## VISION ÉCLATÉE, DIAGRAMA DE DESPIECE

Genesis\_320\_LP\_US\_2010



## LISTA DEL DIAGRAMA DE DESPIECE, LISTE DE LA VISION ÉCLATÉE

- |  |   |   |
|--|---|---|
| 1. <b>Shroud Hardware</b><br>Accesorios de la cubierta<br>Structure de protection                            | 18. <b>Catch Pan Holder</b><br>Soporte del plato recolector<br>Support d'égouttoir    | 35. <b>Front Burner Tube</b><br>Tubo quemador frontal<br>Tube du brûleur avant                              |
| 2. <b>Thermometer</b><br>Termómetro<br>Thermomètre   | 19. <b>Disposable Drip Pan</b><br>Bandeja de goteo desechable<br>Egouttoir jetable    | 36. <b>Igniter Electrode</b><br>Electrodo del encendedor<br>Igniter Electrode                               |
| 3. <b>Thermometer Bezel</b><br>Moldura decorativa del termómetro<br>Plaque indicatrice du thermomètre        | 20. <b>Catch Pan</b><br>Plato recolector<br>Egouttoir                                 | 37. <b>Back Panel</b><br>Panel trasero<br>Panneau arrière   |
| 4. <b>Shroud</b><br>Cubierta<br>Tôle de protection   | 21. <b>Front Panel</b><br>Panel frontal<br>Panneau avant                              | 38. <b>Tank Scale</b><br>Báscula del tanque<br>Plateau de la bouteille                                      |
| 5. <b>Handle</b><br>Asa<br>Poignée   | 22. <b>Left Door</b><br>Puerta izquierda<br>Porte gauche                              | 39. <b>Manifold</b><br>Múltiple<br>Collecteur   |
| 6. <b>Warming Rack</b><br>Rejilla de calentamiento<br>Grille de réchauffage                                  | 23. <b>Right Door</b><br>Puerta derecha<br>Porte droite                               | 40. <b>Hose / Regulator</b><br>Manguera / Regulador<br>Tuyau/Régulateur                                     |
| 7. <b>Side Burner Table</b><br>Mesa del quemador lateral<br>Tablette du brûleur latéral                      | 24. <b>Door Handle</b><br>Asa de la puerta<br>Poignée de porte                        | 41. <b>Right Frame Panel</b><br>Panel derecho del bastidor<br>Panneau du cadre droit                        |
| 8. <b>Side Burner Lid</b><br>Tapa del quemador lateral<br>Couvercle du brûleur latéral                       | 25. <b>Control Knob</b><br>Perilla de control<br>Bouton de commande                   | 42. <b>Side Burner Gas Line</b><br>Manguera del quemador lateral<br>Tuyau du brûleur latéral.               |
| 9. <b>Cooking Grates</b><br>Parrillas de cocción<br>Grilles de cuisson                                       | 26. <b>Bezel #3</b><br>Moldura decorativa #3<br>Plaque indicatrice N° 3               | 43. <b>Tank Glides</b><br>Deslizaderas del tanque<br>Glissières de la bouteille                             |
| 10. <b>Side Burner</b><br>Quemador lateral<br>Brûleur latéral  | 27. <b>Bezel #2</b><br>Moldura decorativa #2<br>Plaque indicatrice N° 2               | 44. <b>Drip Tray</b><br>Bandeja de goteo<br>Egouttoir   |
| 11. <b>Crossover Tube</b><br>Tubo Crossover<br>Tuyau Crossover   | 28. <b>Bezel #1</b><br>Moldura decorativa #1<br>Plaque indicatrice N° 1               | 45. <b>Right Trim Piece</b><br>Pieza de guarnición derecha<br>Pièce de garniture droite                     |
| 12. <b>Cookbox</b><br>Caja de cocción<br>Boîtier de cuisson  | 29. <b>Igniter Button</b><br>Botón de encendido<br>Bouton d'allumage                  | 46. <b>Matchstick Holder</b><br>Portacerillos<br>Porte-allumette  |
| 13. <b>Left Frame Panel</b><br>Panel izquierdo del bastidor<br>Panneau du cadre gauche                       | 30. <b>Igniter Module</b><br>Módulo de encendido<br>Module d'allumage                 | 47. <b>Right Front Trim Piece</b><br>Pieza de guarnición frontal derecha<br>Pièce de garniture avant droite |
| 14. <b>Rear Frame Support</b><br>Soporte posterior del bastidor<br>Support arrière du cadre                  | 31. <b>Right Side Table</b><br>Mesa lateral derecha<br>Tablette latérale droite       | 48. <b>Caster</b><br>Rueda giratoria<br>Roulette  |
| 15. <b>Front Frame Support</b><br>Soporte delantero del bastidor<br>Support avant du cadre                   | 32. <b>Flavorizer® Bar</b><br>Barra Flavorizer®<br>Barre Flavorizer®                  | 49. <b>Bottom Panel</b><br>Panel inferior<br>Panneau inférieur  |
| 16. <b>Left Trim Piece</b><br>Pieza de guarnición izquierda<br>Pièce de garniture gauche                     | 33. <b>Rear Burner Tube</b><br>Tubo quemador posterior<br>Tube du brûleur arrière     | 50. <b>Locking Caster</b><br>Rueda giratoria con bloqueo<br>Roulette autobloquante                          |
| 17. <b>Left Front Trim Piece</b><br>Pieza de guarnición frontal izquierda<br>Pièce de garniture avant gauche | 34. <b>Middle Burner Tube</b><br>Tubo quemador del medio<br>Tube du brûleur du milieu |   |

## GENERAL INSTRUCTIONS

Your Weber® gas barbecue is a portable outdoor cooking appliance. With the Weber® gas barbecue you can grill, barbecue, roast and bake with results that are difficult to duplicate with indoor kitchen appliances. The closed lid and Flavorizer® Bars produce that “outdoor” flavor in the food.

The Weber® gas barbecue is portable so you can easily change its location in your yard or on your patio. Portability means you can take your Weber® gas barbecue with, if you move.

Liquid Propane (LP) gas supply is easy to use and gives you more cooking control than charcoal fuel.

- These instructions will give you the minimum requirements for assembling your Weber® gas barbecue. Please read the instructions carefully before using your Weber® gas barbecue. Improper assembly can be dangerous.
- Not for use by children.
- If there are local codes that apply to portable gas grills, you will have to conform to them. Installation must conform with local codes or, in the absence of local codes, with either the National Fuel Gas Code, ANSI Z223.1/NFPA 54, Natural Gas and Propane Installation Code, CSA B149.1, or Propane Storage and Handling Code, B149.2, or the Standard for Recreational Vehicles, ANSI A 119.2/NFPA 1192, and CSA Z240 RV Series, Recreational Vehicle Code, as applicable.
- The pressure regulator supplied with the Weber® gas barbecue must be used. This regulator is set for 11 inches of water column (pressure).
- This Weber® gas barbecue is designed for use with liquid propane (LP) gas only. Do not use with natural (piped in city) gas. The valves, orifices, hose and regulator are for LP gas only.
- Do not use with charcoal fuel.
- Check that the area under the control panel and the bottom tray are free from debris that might obstruct the flow of combustion or ventilation air.
- The areas around the LP cylinder must be free and clear from debris.
- Replacement pressure regulators and hose assemblies must be those specified by Weber-Stephen Products Co.

### FOR INSTALLATION IN CANADA

These instructions, while generally acceptable, do not necessarily comply with the Canadian Installation codes, particularly with piping above and below ground. In Canada the installation of this appliance must comply with local codes and/or Standard CSA-B149.2 (Propane Storage and Handling Code).

### OPERATING

- ⚠ **WARNING: Only use this barbecue outdoors in a well-ventilated area. Do not use in a garage, building, breezeway or any other enclosed area.**
- ⚠ **WARNING: Keep ventilation openings for cylinder enclosure free and clear from debris.**

### COOKING

- ⚠ **WARNING: Do not move the Weber® gas barbecue when operating or while barbecue is hot.**

You can adjust BURNER 1, 2, and 3 as desired. The control settings: High (H), Medium (M), Low (L), or Off (O) are described in your Weber® cookbook. The cookbook uses these notations to describe the settings of BURNER 1, 2, and 3. For example, to sear steaks, you would set all burners at H (high). Then to complete cooking, you would set BURNER 1 and BURNER 3 at M (medium). Refer to your Weber® cookbook for detailed cooking instructions.

*Note: The temperature inside your cooking box for the first few uses, while surfaces are still very reflective, may be hotter than those shown in your cookbook. Cooking conditions such as wind and weather, may require the adjustment of the burner controls to obtain the correct cooking temperatures.*

**Preheating** - Your Weber® gas barbecue is an energy-efficient appliance. It operates at an economical low BTU rate. To preheat: after lighting, close lid and turn all burners to high (H). Preheating to between 500° and 550° F (260° and 290° C) will take 10 to 15 minutes depending on conditions such as air temperature and wind.

**Drippings and grease** - The Flavorizer® bars are designed to “smoke” the correct amount of drippings for flavorful cooking. Excess drippings and grease will accumulate in the catch pan under the slide out bottom tray. Disposable foil drip pans are available that fit the catch pan.

- ⚠ **WARNING: Your Weber® gas barbecue shall not be used under overhead combustible construction.**
- ⚠ **WARNING: Your Weber® gas barbecue is not intended to be installed in or on recreational vehicles and/or boats.**
- ⚠ **WARNING: Do not use the barbecue within 24 inches of combustible materials to the back or sides of the grill.**
- ⚠ **WARNING: The entire cooking box gets hot when in use. Do not leave unattended.**
- ⚠ **WARNING: Keep any electrical supply cord and the fuel supply hose away from any heated surface.**
- ⚠ **WARNING: Keep the cooking area clear of flammable vapors and liquids such as gasoline, alcohol, etc., and combustible materials.**
- ⚠ **WARNING: Never store an extra (spare) LP cylinder under or near the Weber® gas barbecue.**
- ⚠ **WARNING: The LP cylinder used with your barbecue must be with a listed OPD (Overfilling Prevention Device) and a QCC1 or Type 1 (CGA810) cylinder connection. The cylinder connection must be compatible with the barbecue connection.**

### STORAGE AND/OR NONUSE

- The gas must be turned off at the liquid propane cylinder when the Weber® gas barbecue is not in use.
- When the Weber® gas barbecue is stored indoors, the gas supply must be DISCONNECTED and the LP cylinder stored outdoors in a well-ventilated space.
- LP cylinder must be stored outdoors in a well-ventilated area out of reach of children. Disconnected LP cylinder must not be stored in a building, garage or any other enclosed area.
- When the LP cylinder is not disconnected from the Weber® gas barbecue, the appliance and LP tank must be kept outdoors in a well-ventilated space.
- The Weber® gas barbecue should be checked for gas leaks and any obstructions in the burner tubes before using. (See Section: “Maintenance/Annual Maintenance”).
- Check that the areas under the control panel and the slide out bottom tray are free from debris that might obstruct the flow of combustion or ventilation air.
- The Spider /Insect Screens should also be checked for any obstructions. (See Section: “Maintenance/Annual Maintenance”).

- ⚠ **WARNING: Check the bottom tray for grease build-up before each use. Remove excess grease to avoid a grease fire in the slide out bottom tray.**

### CLEANING

- ⚠ **WARNING: Turn your Weber® gas barbecue off and wait for it to cool before cleaning.**
- ⚠ **CAUTION: Do not clean your Flavorizer® bars or cooking grates in a self-cleaning oven.**

For availability of replacement cooking grates and Flavorizer® bars contact the Customer Service Representative in your area using the contact information on our website. Log onto [www.weber.com](http://www.weber.com)®

**Outside surfaces** - Use a warm soapy water solution to clean, then rinse with water.

- ⚠ **CAUTION: Do not use oven cleaner, abrasive cleansers (kitchen cleansers), cleaners that contain citrus products, or abrasive cleaning pads on barbecue or cart surfaces.**

## GENERAL INSTRUCTIONS

**Slide out Bottom tray** - Remove excess grease, then wash with warm soapy water, then rinse.

**Flavorizer® bars and Cooking grates** - Clean with a suitable stainless steel bristle brush. As needed, remove from grill and wash with warm soapy water, then rinse with water.

**Catch pan** - Disposable foil trays are available, or you can line the catch pan with aluminum foil. To clean the catch pan, wash with warm soapy water, then rinse.

**Thermometer** - Wipe with warm soapy water; clean with plastic scrub ball.

**Inside cooking module** - Brush any debris off of burner tubes. **DO NOT ENLARGE BURNER PORTS (OPENINGS)**. Wash inside of cooking box with warm soapy water and a water rinse.

**Inside Lid** - While lid is warm, wipe inside with paper towel to prevent grease build-up. Flaking built-up grease resembles paint flakes.

**Stainless steel surfaces** - Wash with a soft cloth and a soap and water solution. Be careful to scrub with the grain direction of the stainless steel.

**Do not use cleaners that contain acid, mineral spirits or xylene. Rinse well after cleaning.**

**Preserve Your Stainless Steel** - Your grill or its cabinet, lid, control panel and shelves may be made from stainless steel. To keep the stainless steel looking its best is a simple matter. Clean it with soap and water, rinse with clear water and wipe dry. For stubborn particles, the use of a non-metallic brush can be used.

**⚠ IMPORTANT: Do not use a wire brush or abrasive cleaners on the stainless steel surfaces of your grill as this will cause scratches.**

**⚠ IMPORTANT: When cleaning surfaces be sure to rub/wipe in the direction of the grain to preserve the look of your stainless steel.**

## GAS INSTRUCTIONS

### IMPORTANT LP CYLINDER INFORMATION

#### ⚠ DANGER

**⚠ NEVER store a spare LP Cylinder under or near Weber® gas appliances.**

**⚠ NEVER fill the tank beyond 80% full.**

**⚠ Failure to follow these statements exactly may result in a fire causing death or serious injury.**

Weber® gas appliances are equipped for a cylinder supply system designed for vapor withdrawal.

**⚠ WARNING: Only use Weber® gas appliances outdoors in a well-ventilated area. Do not use in a garage, building, breezeway or any other enclosed area.**

The proper filling methods for the filling of your cylinder are by weight or volume, as described in NFPA 58. Please make sure your filling station fills your LP cylinder by weight or volume. Ask your filling station to read purging and filling instructions on the LP cylinder before attempting to fill.

### LEAK CHECK PREPARATION

#### CHECK THAT ALL BURNER VALVES ARE OFF

Valves are shipped in the "OFF" position, but you should check to be sure that they are turned off. Check by pushing down and turning clockwise. If they do not turn, they are off. Proceed to the next step. If they do turn continue turning them clockwise until they stop, then they are off. Proceed to the next step.

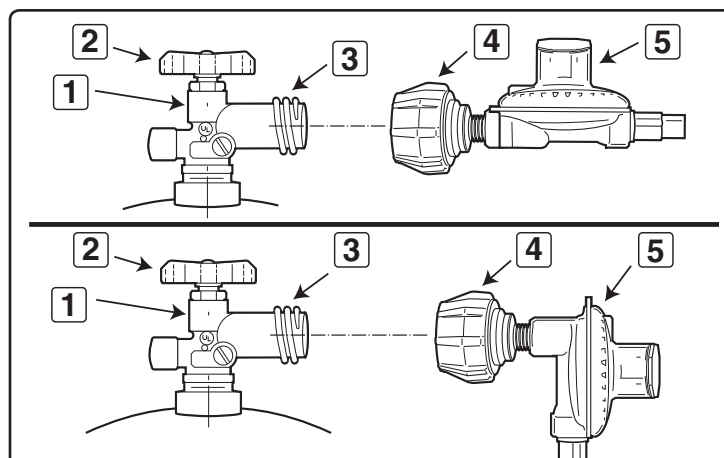
### CONNECTING THE LIQUID PROPANE CYLINDER

All Weber® liquid propane gas grill regulators are equipped with a UL-listed tank connection as per the latest edition of ANSI Z21.58. This will require a liquid propane tank that is similarly equipped with a Type 1 connection in the tank valve. This Type 1 coupling allows you to make a fast and totally safe hookup between your gas grill and your liquid propane tank. It eliminates the chance of leaks due to a POL fitting that is not properly tightened. Gas will not flow from the tank unless the Type 1 coupling is fully engaged into the coupling.

**⚠ WARNING: Make sure that the LP cylinder valve is closed. Close by turning valve clockwise.**

#### ⚠ DANGER

**Do not use an open flame to check for gas leaks. Be sure there are no sparks or open flames in the area while you check for leaks. Sparks or flames will result in a fire or explosion which can cause serious bodily injury or death, and damage to property.**



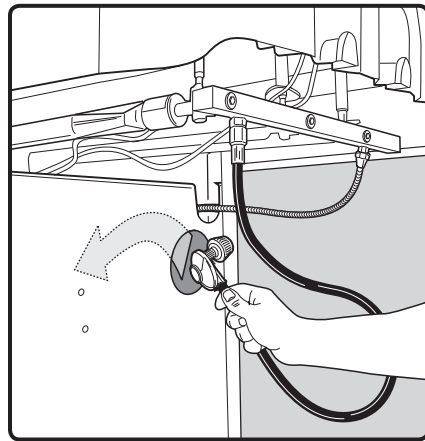
**TYPE 1 CONNECTIVE COUPLING**

1	Type 1 Valve
2	Hand Wheel
3	External Thread
4	Thermally Sensitive Nut
5	Propane Regulator

# GAS INSTRUCTIONS

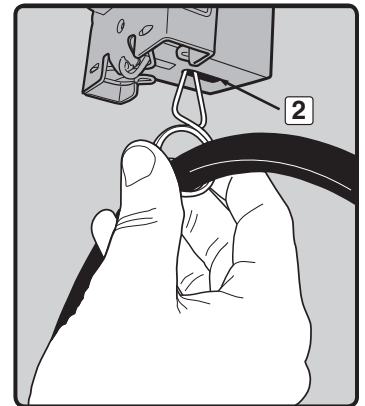
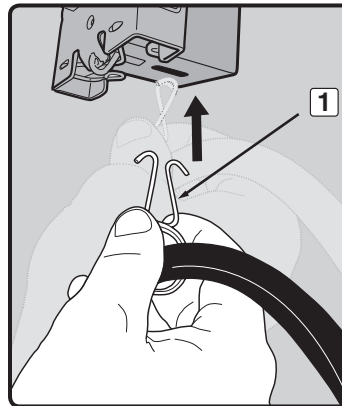
**To connect the hose to the cylinder:**

- A) Pass the regulator hose through the side panel opening to the inside of the base cabinet.



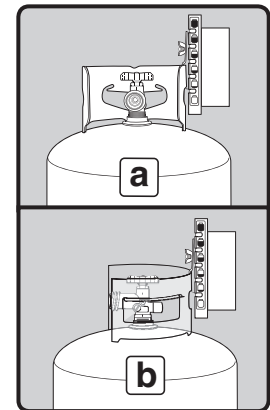
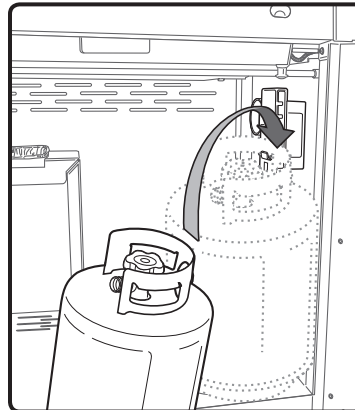
- B) Locate hose retention clip (1) on regulator hose. Secure into slot (2) on underside of tank scale.

**⚠ WARNING: The hose must be secured to the tank scale with the Hose Retention Clip. Failure to do so could cause damage to the hose resulting in a fire or explosion which can cause serious bodily injury or death, and damage to property.**



The LP cylinder is installed inside the base cabinet, on the tank scale (right side).

- C) Open base cabinet doors.  
 D) Turn the LP cylinder so the opening of the valve is either to the front or side of the Weber® gas barbecue. Lift and hook the cylinder onto the fuel gauge.  
 E) Lift tank up into position on the tank scale.  
 F) Loosen the cylinder lock wing nut. Swing the cylinder lock down. Tighten the wing nut.



Some LP tanks have differing top collar assemblies. (The top collar is the metal protective ring around the valve.) One series of tanks mount with the valve facing front (a). The other tanks mount with the valve facing away from the fuel scale (b). Weber recommends the use of cylinder manufacturer's Manchester and Worthington, with a 47.6 lb water capacity. Other cylinders may be acceptable for use with the appliance provided they are compatible with the appliance retention means (see illustrations).

- G) Remove the plastic dust cover from the valve.  
 H) Screw the regulator coupling onto the tank valve, clockwise, or to the right. Hand-tighten only.

*Note: This is a new type of connection. It tightens clockwise and will not allow gas to flow unless the connection is tight. The connection requires tightening by hand only.*

**⚠ WARNING: Do not use a wrench to tighten the connection. Using a wrench could damage the regulator coupling and could cause a leak.**

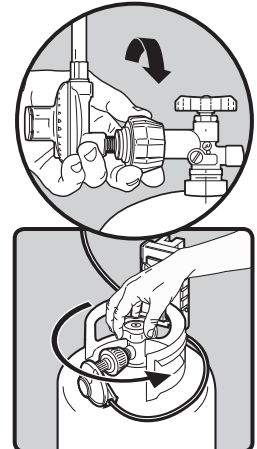
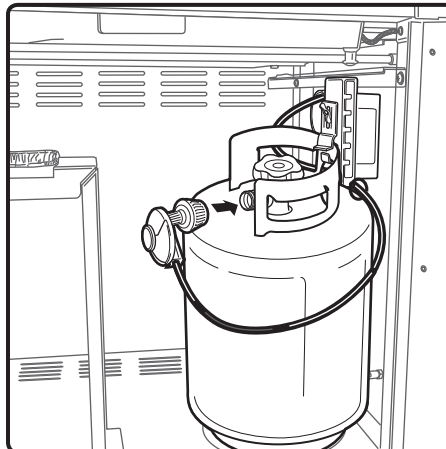
*You will need: LP cylinder, a soap and water solution and a rag or brush to apply it.*

- I) Mix soap and water.  
 J) Turn on the cylinder valve.  
 K) Check for leaks by wetting the fitting with the soap and water solution and watching for bubbles. If bubbles form, or if a bubble grows, there is a leak.

If there is a leak, turn off the gas and tighten the fitting. Turn the gas back on and recheck with the soap and water solution.

If leak does not stop, contact the Customer Service Representative in your area using the contact information on our web site. Log onto [www.weber.com](http://www.weber.com)®. Do not use the barbecue.

- L) When leak checking is complete, turn gas supply OFF at the source and rinse connections with water.

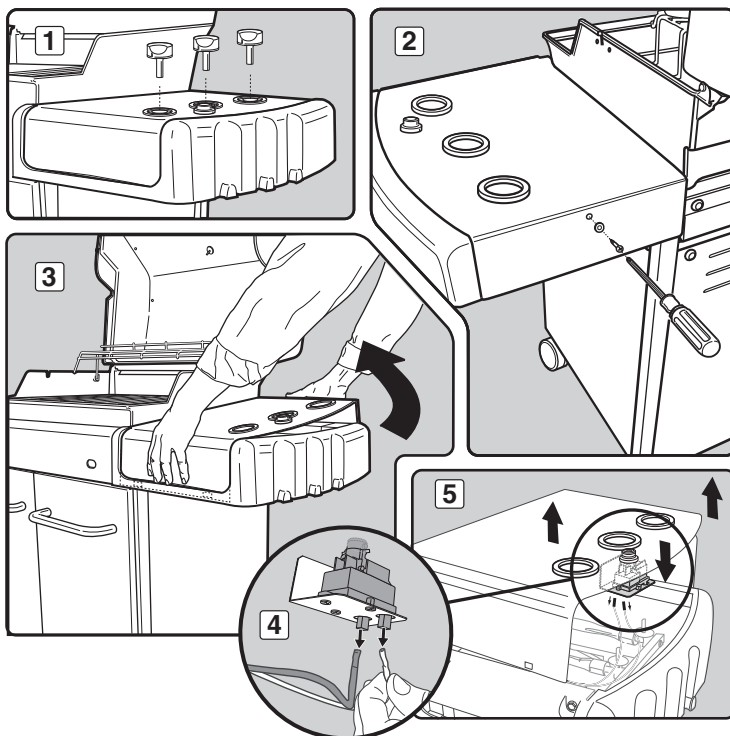


# GAS INSTRUCTIONS

## REMOVE CONTROL KNOBS & CONTROL PANEL FOR LEAK TESTING

You will need: Phillips screwdriver.

- A) Remove control knobs (1).
- B) Remove screw and washer from back of control panel with a Phillips screwdriver (2).
- C) Tilt the back edge of the control panel up. Push in on the front edge to release locking tabs. Carefully pull control panel away from frame (3).
- D) Disconnect the igniter wires from the ignition module (4).
- E) Replace control panel when Leak Check is completed (5).



## CHECK FOR GAS LEAKS

### ⚠ DANGER

**Do not use an open flame to check for gas leaks. Be sure there are no sparks or open flames in the area while you check for leaks. Sparks or open flames will result in a fire or explosion, which can cause serious bodily injury or death and damage to property.**

**⚠ WARNING: You should check for gas leaks every time you disconnect and reconnect a gas fitting.**

*Note: All factory-made connections have been thoroughly checked for gas leaks. The burners have been flame-tested. As a safety precaution however, you should recheck all fittings for leaks before using your Weber® Gas Barbecue. Shipping and handling may loosen or damage a gas fitting.*

**⚠ WARNING: Perform these leak checks even if your barbecue was dealer or store assembled.**

You will need: a soap and water solution, and a rag or brush to apply it.

*Note: Since some leak test solutions, including soap and water, may be slightly corrosive, all connections should be rinsed with water after checking for leaks.*

If your grill has a side burner make sure the side burner is off.

To perform leak checks: open cylinder valve by turning the cylinder valve hand-wheel counterclockwise.

**⚠ WARNING: Do not ignite burners when leak checking.**

Check for leaks by wetting the connections with the soap and water solution and watching for bubbles. If bubbles form or if a bubble grows, there is a leak.

### Check:

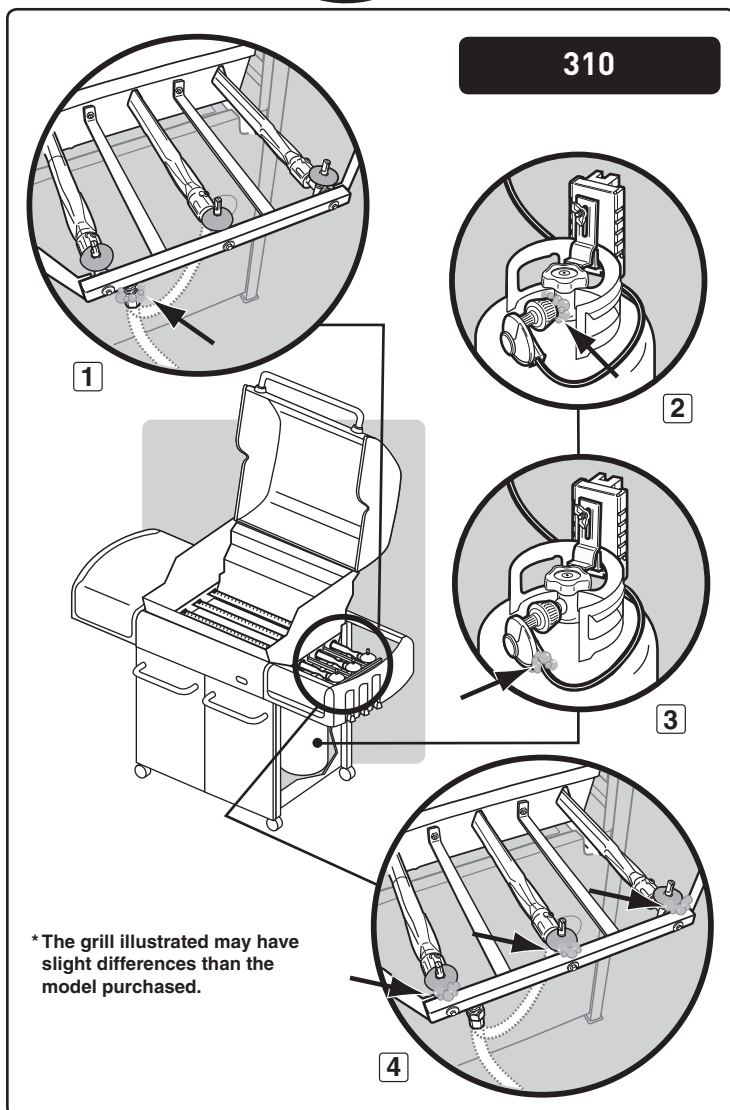
- A) Hose-to-manifold connection (1).

**⚠ WARNING: If there is a leak at connection (1), retighten the fitting with a wrench and recheck for leaks with soap and water solution. If a leak persists after retightening the fitting, turn OFF the gas. DO NOT OPERATE THE GRILL. Contact the Customer Service Representative in your area using the contact information on our web site. Log onto [www.weber.com](http://www.weber.com)®.**

- B) Regulator-to-cylinder connection (2).
- C) The hose-to-regulator connection (3).
- D) Valves-to-manifold connections (4).

**⚠ WARNING: If there is a leak at connections (2), (3) or (4), turn OFF the gas. DO NOT OPERATE THE GRILL. Contact the Customer Service Representative in your area using the contact information on our web site. Log onto [www.weber.com](http://www.weber.com)®.**

When leak checks are complete, turn gas supply OFF at the source and rinse connections with water.



**310**

## Check:

- A) Hose to manifold connection (1).
- B) Side burner hose to manifold connection and side burner hose to side burner gas line connection (2).
- C) Side burner hose to side burner connection, side burner valve and orifice connections (3).

**⚠ WARNING: If there is a leak at connection (1, 2, or 3), retighten the fitting with a wrench and recheck for leaks with soap and water solution. If a leak persists after re-tightening the fitting, turn OFF the gas. DO NOT OPERATE THE GRILL. Contact the Customer Service Representative in your area using the contact information on our web site. Log onto [www.weber.com](http://www.weber.com).**

- D) Regulator to cylinder connection (4).
- E) Hose to regulator connection (5).
- F) Valves to manifold connections (6).

**⚠ WARNING: If there is a leak at connections (4, 5 or 6), turn OFF the gas. DO NOT OPERATE THE GRILL. Contact the Customer Service Representative in your area using the contact information on our web site. Log onto [www.weber.com](http://www.weber.com).**

When leak checks are complete, turn gas supply OFF at the source and rinse connections with water.

## REFILLING THE LIQUID PROPANE CYLINDER

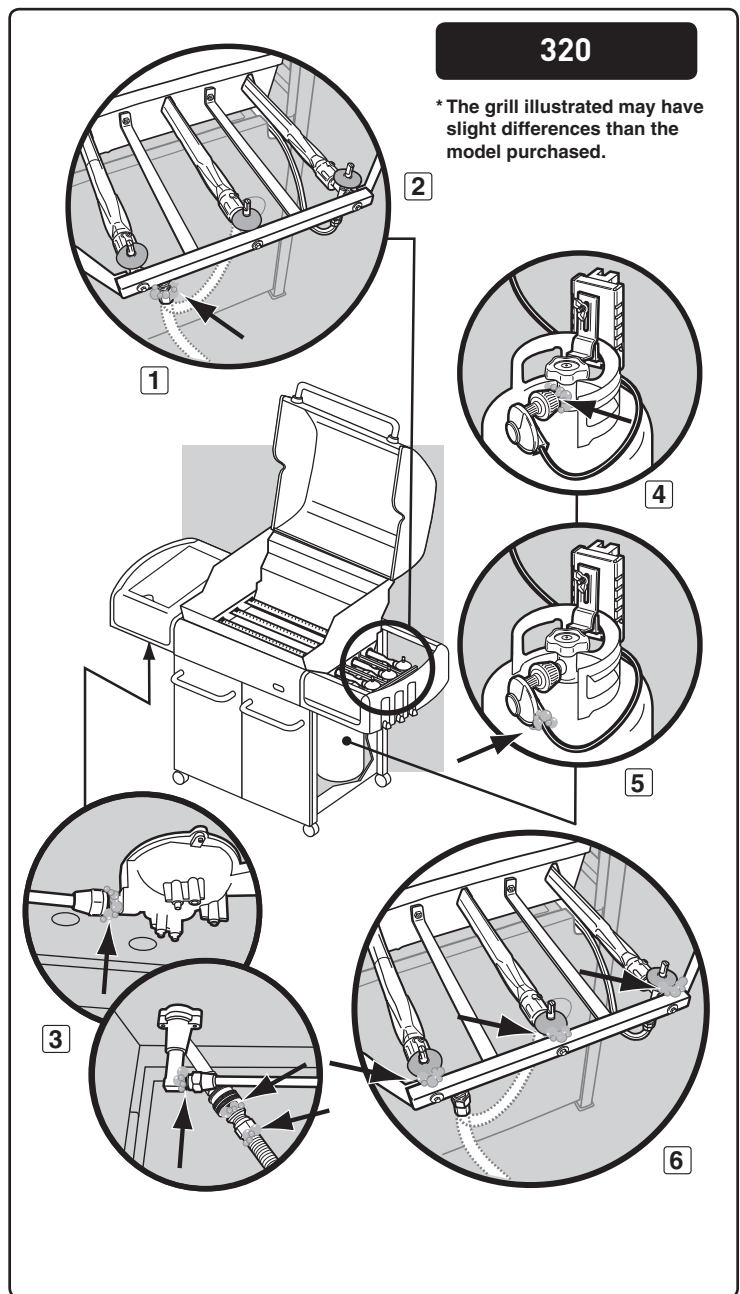
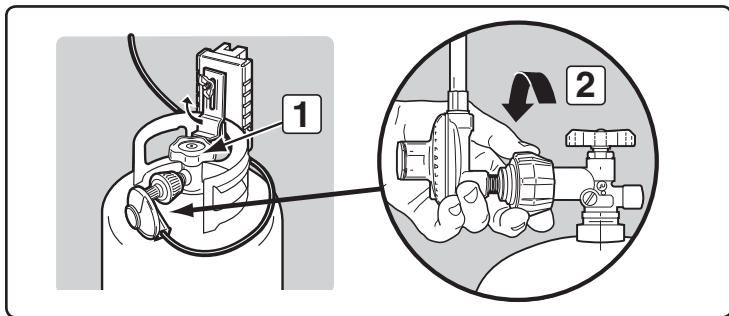
We recommend that you refill the LP cylinder before it is completely empty. Removal of the LP cylinder

- A) Close cylinder valve (turn clockwise) (1).
- B) Unscrew regulator coupling by turning counterclockwise, by hand only (2).
- C) Loosen cylinder lock wing nut and turn cylinder lock up out of the way.
- D) Lift cylinder off.

To fill, take the LP cylinder to a gas propane dealer, or look up "gas-propane" in the phone book for other sources of LP gas.

**⚠ WARNING: We recommend that your LP cylinder be filled at an authorized LP gas dealer, by a qualified attendant, who fills the cylinder by weight. IMPROPER FILLING IS DANGEROUS.**

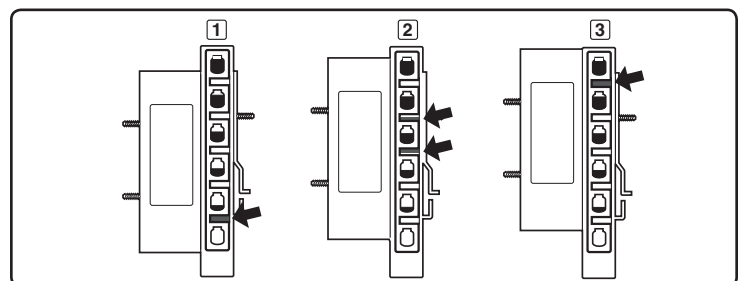
**⚠ CAUTION: Place dust cap on cylinder valve outlet whenever the cylinder is not in use. Only install the type of dust cap on the cylinder valve outlet that is provided with the cylinder valve. Other types of caps or plugs may result in leakage of propane.**



## CHECKING THE FUEL LEVEL IN YOUR TANK

Check the fuel level by viewing the color indicator level line on the side of the tank scale.

- A) Empty (1)
- B) Medium (2)
- C) Full (3)



## GAS INSTRUCTIONS

### SAFE HANDLING TIPS FOR LIQUID PROPANE GAS CYLINDERS

- Liquid Propane (LP) gas is a petroleum product as are gasoline and natural gas. LP gas is a gas at regular temperatures and pressures. Under moderate pressure, inside a cylinder, LP gas is a liquid. As the pressure is released, the liquid readily vaporizes and becomes gas.
- LP gas has an odor similar to natural gas. You should be aware of this odor.
- LP gas is heavier than air. Leaking LP gas may collect in low areas and prevent dispersion.
- To fill, take the LP cylinder to a gas propane dealer, or look up "gas-propane" in the phone book for other sources of LP gas.

**⚠ WARNING: We recommend that your LP cylinder be filled at an authorized LP gas dealer, by a qualified attendant, who fills the tank by weight. IMPROPER FILLING IS DANGEROUS.**

- Air must be removed from a new LP cylinder before the initial filling. Your LP dealer is equipped to do this.
- The LP cylinder must be installed, transported and stored in an upright position. LP cylinders should not be dropped or handled roughly.
- Never store or transport the LP cylinder where temperatures can reach 125° F (too hot to hold by hand - for example: do not leave the LP cylinder in a car on a hot day).

*Note: A refill will last about 18-20 hours of cooking time at normal use. The fuel scale will indicate the propane supply so you can refill before running out. You do not have to run out before you refill.*

- Treat "empty" LP cylinders with the same care as when full. Even when the LP tank is empty of liquid there still may be gas pressure in the cylinder. Always close the cylinder valve before disconnecting.

**⚠ CAUTION: Place dust cap on cylinder valve outlet whenever the cylinder is not in use. Only install the type of dust cap on the cylinder valve outlet that is provided with the cylinder valve. Other types of caps or plugs may result in leakage of propane.**

- Do not use a damaged LP cylinder. Dented or rusty LP cylinders or LP cylinders with a damaged valve may be hazardous and should be replaced with a new one immediately.

### LIQUID PROPANE (LP) CYLINDER(S)

- The joint where the hose connects to the LP cylinder must be leak tested each time the LP cylinder is reconnected. For example, test each time the LP cylinder is refilled.
- Be sure the regulator is mounted with the small vent hole pointed downward so that it will not collect water. This vent should be free of dirt, grease, bugs etc.
- The gas connections supplied with your Weber® gas appliance have been designed and tested to meet 100% CSA and ANSI requirements.

**⚠ WARNING: Replacement LP tanks must match the regulator connection supplied with this Weber® gas appliance.**

### LIQUID PROPANE CYLINDER REQUIREMENTS

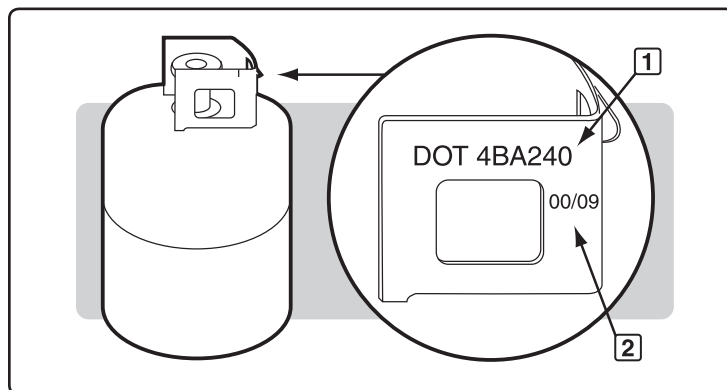
- Check to be sure cylinders have a D.O.T. certification (1), and date tested (2) is within five years. Your LP gas supplier can do this for you.
- All LP tank supply systems must include a collar to protect the cylinder valve.
- The LP cylinder must be a 20-lb. size approximately (18¼ inches high, 12¼ inches in diameter).
- The cylinder must be constructed and marked in accordance with the Specifications for LP - Gas Cylinders of the U.S. Department of Transportation (D.O.T.) or the National Standard of Canada, CAN/CSA-B339, Cylinders, Spheres and Tubes or Transportation of Dangerous Goods; and Commission, as applicable.

### IN CANADA

#### LIQUID PROPANE CYLINDER REQUIREMENTS

*Note: Your retailer can help you match a replacement tank to your barbecue.*

- The LP cylinder must be constructed and marked in accordance with the specifications for LP gas cylinders, T.C.



## OPERATING INSTRUCTIONS

### LIGHTING

*Summary lighting instructions are inside the left hand cabinet door.*

#### **⚠ DANGER**

**Failure to open the lid while igniting the barbecue's burners, or not waiting 5 minutes to allow the gas to clear if the barbecue does not light, may result in an explosive flame-up which can cause serious bodily injury or death.**

### CROSSOVER® IGNITION SYSTEM

*Note: The Crossover® Ignition System ignites BURNER 1 with a spark from the igniter electrode inside the Gas Catcher™ ignition chamber. You generate the energy for the spark by pushing the electronic ignition button. You will hear it sparking.*

**⚠ WARNING: Check hose before each use of barbecue for nicks, cracking, abrasions or cuts. If the hose is found to be damaged in any way, do not use the barbecue. Replace using only Weber® authorized replacement hose. Contact the Customer Service Representative in your area using the contact information on our web site. Log onto [www.weber.com](http://www.weber.com)®.**

# OPERATING INSTRUCTIONS

## MAIN BURNER LIGHTING

- A) Open the lid (1).
- B) Make sure all burner control knobs are turned OFF (2). (Push control knob down and turn clockwise to ensure that it is in the OFF position.)

**⚠ WARNING: The burner control knobs must be in the OFF position before turning on the liquid propane cylinder tank valve. If they are not in the OFF position, when you turn on the LP cylinder valve, the “excess gas flow control” feature will activate, limiting the flow of gas from the LP cylinder. If this should occur, turn OFF the LP cylinder valve and burner control knobs. Start over.**

### ⚠ DANGER

When the “excess gas flow control” feature is activated, a small amount of gas is still flowing to the burners. After turning OFF the cylinder valve, wait at least 5 minutes for the gas to clear before attempting to light the barbecue. Failure to do so may result in an explosive flame-up, which can cause serious bodily injury or death.

- C) Turn the cylinder on by slowly turning the cylinder valve counterclockwise (3).
  - ⚠ WARNING: Do not lean over the open barbecue. Keep your face and body at least one foot away from the matchlight hole when lighting the barbecue.**
  - D) Push BURNER 1 control knob down and turn to START/HI (4).
  - E) Push and hold the electronic ignition button. You will hear it sparking (5).
  - F) Check that the burner is lit by looking through the matchlight hole on the front of the cooking box. You should see a flame (6).
  - ⚠ WARNING: If the burner does not light in five (5) seconds, turn the Burner 1 control knob to OFF and wait 5 minutes to let the gas clear before you try again or try to light with a match.**
  - G) After BURNER 1 is lit you can turn on BURNER 2 (and BURNER 3) (7).
- Note - Always light BURNER 1 first. The other burners ignite from BURNER 1.*

## TO EXTINGUISH

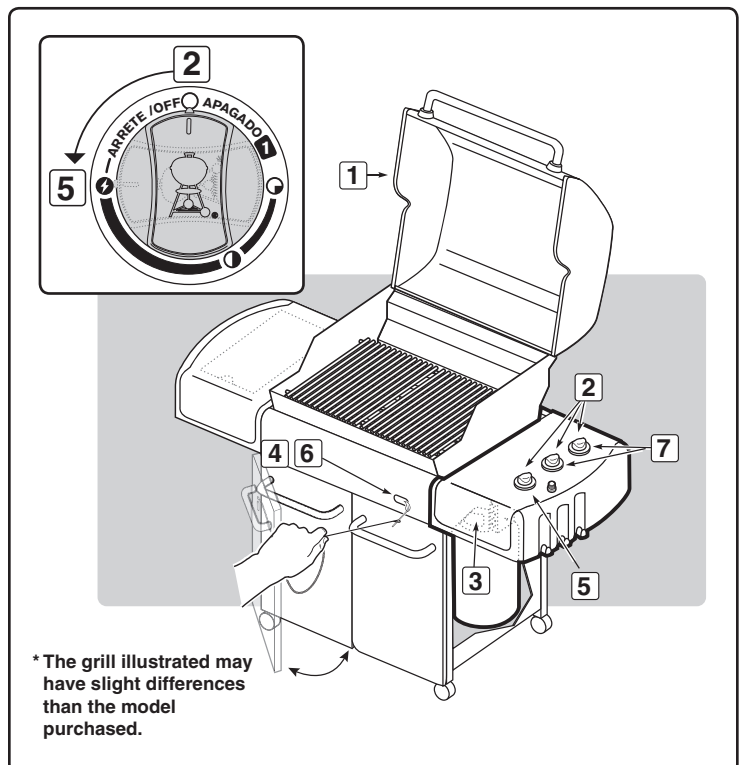
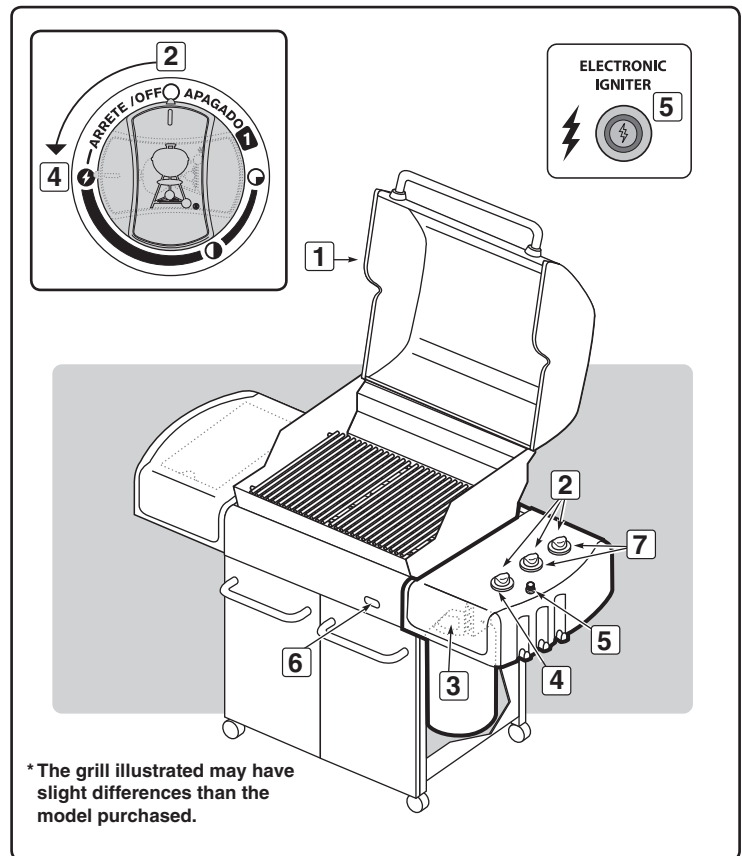
Push down and turn each burner control knob clockwise to the OFF position. Turn gas supply OFF at the source.

## MAIN BURNER MANUAL LIGHTING

### ⚠ DANGER

Failure to open the lid while igniting the barbecue’s burners, or not waiting 5 minutes to allow the gas to clear if the barbecue does not light, may result in an explosive flame-up which can cause serious bodily injury or death.

- A) Open the lid (1).
- B) Make sure all burner control knobs are turned OFF (2). (Push each knob down and turn clockwise to ensure they are in the “OFF” position.)
- ⚠ WARNING: The burner control knobs must be in the OFF position before turning on the liquid propane cylinder tank valve. If they are not in the OFF position, when you turn on the LP cylinder valve, the “excess gas flow control” feature will activate, limiting the flow of gas from the LP cylinder. If this should occur, turn OFF the LP tank valve and burner control knobs. Start over.**



## OPERATING INSTRUCTIONS

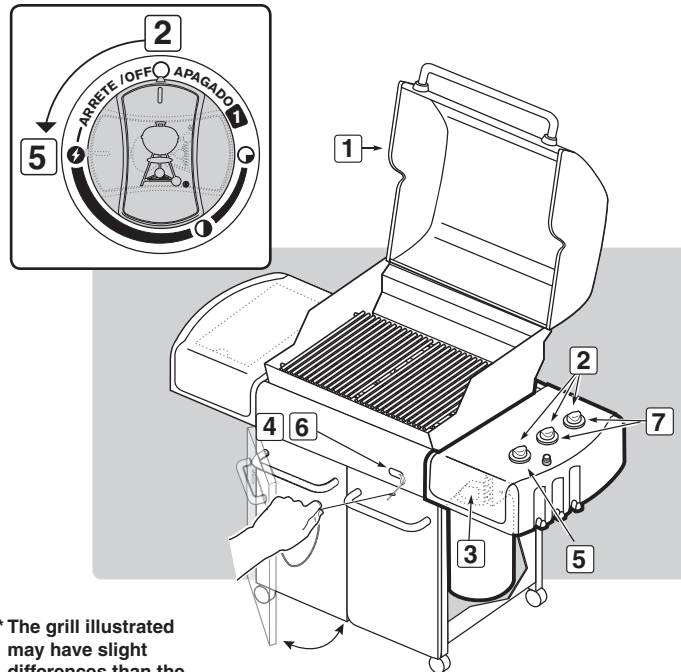
### ⚠ DANGER

When the “excess gas flow control” feature is activated, a small amount of gas is still flowing to the burners. After turning OFF the cylinder and burner control knobs, wait at least 5 minutes for the gas to clear before attempting to light the barbecue. Failure to do so may result in an explosive flame-up, which can cause serious bodily injury or death.

- C) Turn the cylinder on by turning the cylinder valve counterclockwise (3).
  - D) Insert match holder with lit match into the matchlight hole in the front of the cooking box (4).
  - ⚠ **WARNING: Do not lean over open barbecue. Keep your face and body at least one foot away from the matchlight hole when lighting the barbecue.**
  - E) Push BURNER 1 control knob down and turn to START/HI (5).
  - F) Check that the burner is lit by looking through the matchlight hole on the front of the cooking box. You should see a flame (6).
  - ⚠ **WARNING: If the burner does not light in five seconds, turn the Burner 1 control knob to OFF and wait 5 minutes to let the gas clear before you try again.**
  - G) After BURNER 1 is lit you can turn on BURNER 2 (and BURNER 3) (7).
- Note - Always light BURNER 1 first. The other burners ignite from BURNER 1.*

### TO EXTINGUISH

Push down and turn each burner control knob clockwise to the OFF position. Turn gas supply OFF at the source.



\* The grill illustrated may have slight differences than the model purchased.

## LIGHTING THE SIDE BURNER

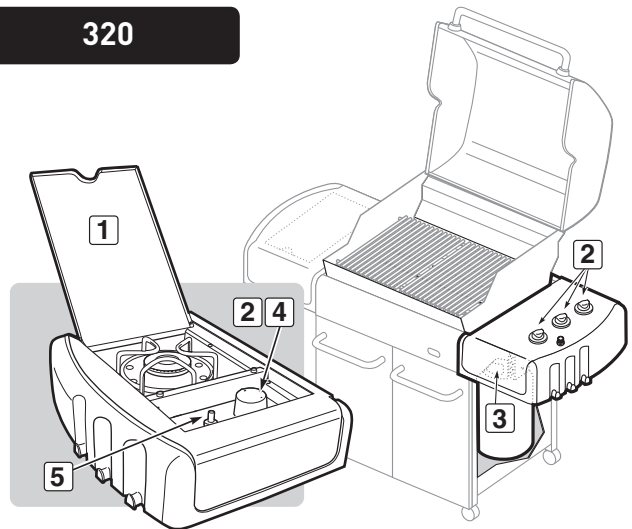
### ⚠ DANGER

Failure to open the lid while igniting the side burner, or not waiting 5 minutes to allow the gas to clear if the side burner does not light, may result in an explosive flame-up which can cause serious bodily injury or death.

⚠ **WARNING: Check hose before each use of barbecue for nicks, cracking, abrasions or cuts. If the hose is found to be damaged in any way, do not use the barbecue. Replace using only Weber® authorized replacement hose. Contact the Customer Service Representative in your area using the contact information on our web site. Log onto [www.weber.com](http://www.weber.com).**

- A) Open the side burner lid (1).
- B) Check that the side burner valve is turned off (2) (Push control knob in and turn clockwise to ensure that it is in the “OFF” position), turn all burners not being used to the “OFF” position (push in and turn clockwise).

⚠ **WARNING: The burner control knobs must be in the OFF position before turning on the liquid propane cylinder valve. If they are not in the OFF position, when you turn on the LP cylinder valve, the “excess gas flow control” feature will activate, limiting the flow of gas from the LP cylinder. If this should occur, turn OFF the LP tank valve and burner control knobs. Start over.**



### ⚠ DANGER

When the “excess gas flow control” feature is activated, a small amount of gas is still flowing to the burners. After turning OFF the cylinder and burner control knobs, wait at least 5 minutes for the gas to clear before attempting to light the barbecue. Failure to do so may result in an explosive flame-up, which can cause serious bodily injury or death.

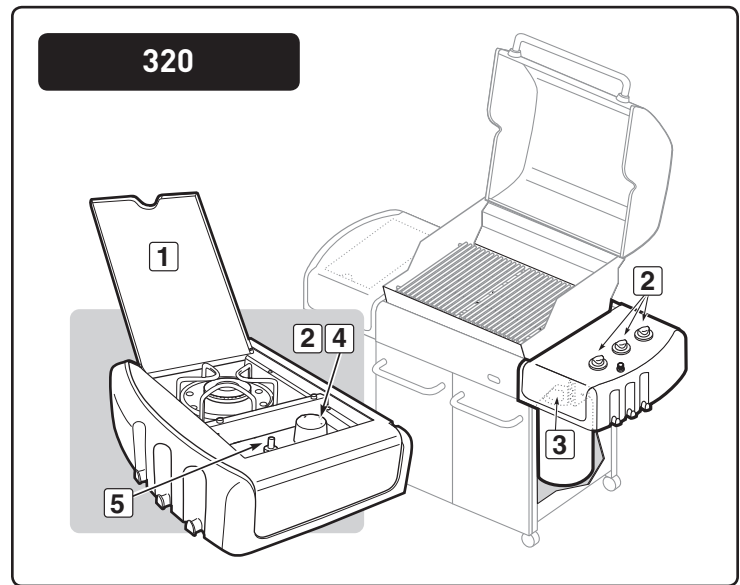
## OPERATING INSTRUCTIONS

- C) Turn the gas supply valve on (3).
- D) Push down and turn the side burner control valve to "HI" (4).
- E) Press the igniter button several times so it clicks each time (5).

**⚠ CAUTION: Side burner flame may be difficult to see on a bright sunny day.**

**⚠ WARNING: If the side burner does not light in five (5) seconds:**

- a) Turn off the side burner control valve, main burners and gas supply at source.
- b) Wait 5 minutes to let the gas clear before you try again, or try lighting with a match (see "Manually Lighting the Side Burner").



### MANUALLY LIGHTING THE SIDE BURNER

#### ⚠ DANGER

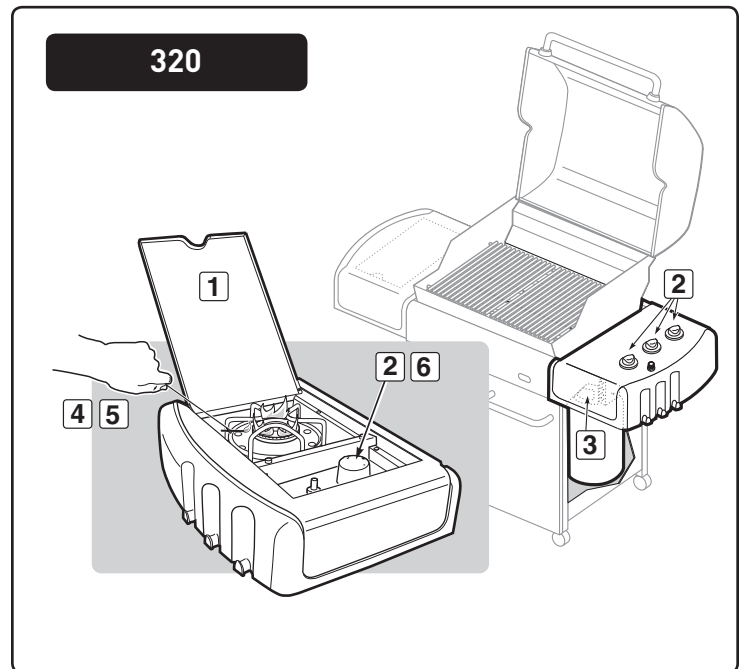
Failure to open the lid while igniting the side burner, or not waiting 5 minutes to allow the gas to clear if the side burner does not light, may result in an explosive flare-up that can cause serious bodily injury or death.

- A) Open the side burner lid (1).
- B) Check that the side burner valve is turned off (2) (Push control knob in and turn clockwise to ensure that it is in the "OFF" position), turn all burners not being used to the "OFF" position (push in and turn clockwise).

**⚠ WARNING: The burner control knobs must be in the OFF position before turning on the liquid propane cylinder. If they are not in the OFF position, when you turn on the LP cylinder valve, the "excess gas flow control" feature will activate, limiting the flow of gas from the LP cylinder. If this should occur, turn OFF the LP tank valve and burner control knobs. Start over.**

#### ⚠ DANGER

When the "excess gas flow control" feature is activated, a small amount of gas is still flowing to the burners. After turning OFF the cylinder and burner control knobs, wait at least 5 minutes for the gas to clear before attempting to light the barbecue. Failure to do so may result in an explosive flame-up, which can cause serious bodily injury or death.



- C) Turn the gas supply valve on (3).
- D) Put match in a match holder and strike match (4).
- E) Hold match holder and lit match by either side of the side burner (5).
- F) Push down and turn the side burner control valve to "HI" (6).

**⚠ CAUTION: Side burner flame may be difficult to see on a bright sunny day.**

**⚠ WARNING: If the side burner does not light in five (5) seconds:**

- a) Turn off the side burner control valve, main burners and gas supply at source.
- b) Wait 5 minutes to let the gas clear before you try again.

## TROUBLESHOOTING

PROBLEM	CHECK	CURE
Burners burn with a yellow or orange flame, in conjunction with the smell of gas.	Inspect Spider/Insect Screens for possible obstructions. (Blockage of holes.)	Clean Spider/Insect Screens. (See Section "Annual Maintenance")
<i>Symptoms:</i> Burners do not light. -or- Burners have a small flickering flame in the "HI" position. -or- Barbecue temperature only reaches 250° to 300° in the "HI" position.	The excess flow safety device, which is part of the barbecue to cylinder connection, may have activated.	To reset the excess flow safety device turn all burner control knobs and the cylinder valve off. Disconnect the regulator from the cylinder. Turn burner control knobs to "HI". Wait at least 1 minute. Turn burner control knobs to "OFF". Reconnect the regulator to the cylinder. Turn cylinder valve on slowly. Refer to "Lighting Instructions".
Burner does not light, or flame is low in "HI" position.	Is LP fuel low or empty?	Refill LP cylinder.
	Is fuel hose bent or kinked?	Straighten fuel hose.
	Does Burner 1 light with a match?	If you can light Burner 1 with a match, then check the Crossover® ignition system.
Experiencing flare-ups:  ⚠ <b>CAUTION: Do not line the bottom tray with aluminum foil.</b>	Are you preheating barbecue in the prescribed manner?	All burners on HI for 10 to 15 minutes for preheating.
	Are the cooking grates and Flavorizer® bars heavily coated with burned-on grease?	Clean thoroughly. (See Section "Cleaning")
	Is the bottom tray "dirty" and not allowing grease to flow into catch pan?	Clean bottom tray.
Burner flame pattern is erratic. Flame is low when burner is on "HI". Flames do not run the whole length of the burner tube.	Are burners clean?	Clean burners. (See Section "Maintenance")
Inside of lid appears to be "peeling." (Resembles paint peeling.)	The lid is porcelain enamel or stainless steel, not paint. It cannot "peel". What you are seeing is baked on grease that has turned to carbon and is flaking off. <b>THIS IS NOT A DEFECT.</b>	Clean thoroughly. (See Section "Cleaning")
Cabinet doors are not aligned.	Check the adjustment pin on the bottom of each door.	Loosen adjustment nut/s. Slide door/s until aligned. Tighten nut.
If problems cannot be corrected by using these methods, please contact the Customer Service Representative in your area using the contact information on our web site. Log onto <a href="http://www.weber.com">www.weber.com</a> ®.		

## SIDE BURNER TROUBLESHOOTING

PROBLEM	CHECK	CURE
Side Burner does not light.	Is gas supply off?  The excess flow safety device, which is part of the barbecue to cylinder connection, may have activated.	Turn supply on.  To reset the excess flow safety device turn all burner control knobs and the cylinder valve off. Disconnect the regulator from the cylinder. Turn burner control knobs to START/HI. Wait at least 1 minute. Turn burner control knobs to "OFF". Reconnect the regulator to the cylinder. Turn cylinder valve on slowly. Refer to "Lighting Instructions".
Flame is low in "HI" position.	Is the fuel hose bent or kinked?	Straighten hose.
Push button ignition does not work.	Does burner light with a match?	If match lights burner, check igniter (see Sideburner Maintenance).
If problems cannot be corrected by using these methods, please contact the Customer Service Representative in your area using the contact information on our web site. Log onto <a href="http://www.weber.com">www.weber.com</a> ®.		

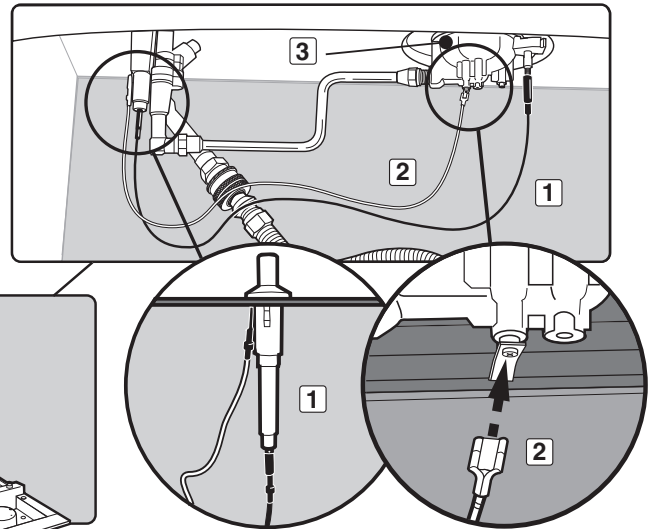
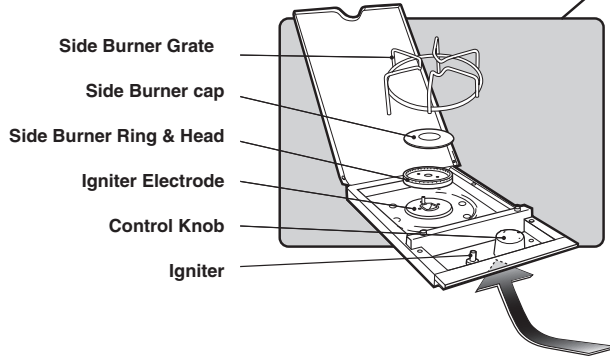
## SIDE BURNER MAINTENANCE

### SIDE BURNER MAINTENANCE

**⚠ WARNING: All gas controls and supply valves should be in the "OFF" position.**

Make sure black wire is connected between the igniter and electrode.  
 Make sure white wire is connected between the igniter and grounding clip.  
 Spark should be a white/blue color, not yellow.

- A) Igniter Wire (1)
- B) Ground wire (2)
- C) Burner (3)



## MAINTENANCE

### WEBER® SPIDER/INSECT SCREENS

Your Weber® gas barbecue, as well as any outdoor gas appliance, is a target for spiders and other insects. They can nest in the venturi section (1) of the burner tubes. This blocks the normal gas flow, and can cause the gas to flow back out of the combustion air opening. This could result in a fire in and around the combustion air openings, under the control panel, causing serious damage to your barbecue.

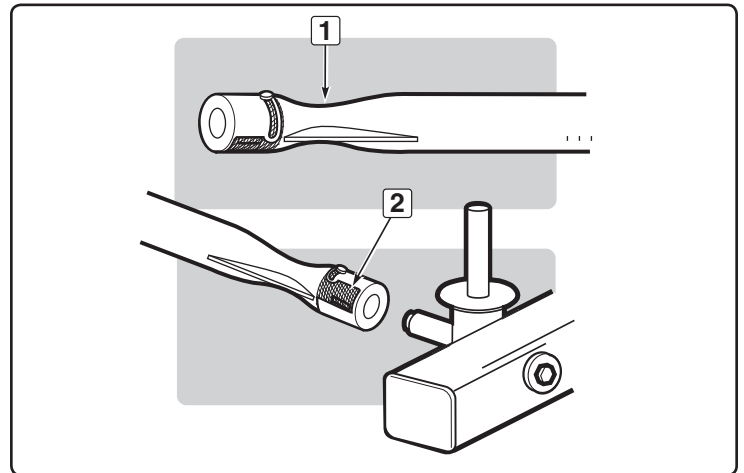
The burner tube combustion air opening is fitted with a stainless steel screen (2) to prevent spiders and other insects access to the burner tubes through the combustion air openings.

**We recommend that you inspect the Spider/Insect screens at least once a year. (See Section "Annual Maintenance".) Also inspect and clean the the Spider/Insect screens if any of the following symptoms should ever occur:**

- A) The smell of gas in conjunction with the burner flames appearing yellow and lazy.
- B) Barbecue does not reach temperature.
- C) Barbecue heats unevenly.
- D) One or more of the burners do not ignite.

### **⚠ DANGER**

**Failure to correct the above mentioned symptoms may result in a fire, which can cause serious bodily injury or death, and cause damage to property.**



## ANNUAL MAINTENANCE

### INSPECTION AND CLEANING OF THE SPIDER/INSECT SCREENS

To inspect the Spider/Insect screens, remove the control panel. If there is dust or dirt on the screens, remove the burners for cleaning the screens.

Brush the Spider/Insect screens lightly with a soft bristle brush (i.e. an old toothbrush).

**⚠ CAUTION: Do not clean the Spider/Insect screens with hard or sharp tools. Do not dislodge the Spider/Insect screens or enlarge the screen openings.**

Lightly tap the burner to get debris and dirt out of the burner tube. Once the Spider/Insect screens and burners are clean replace the burners.

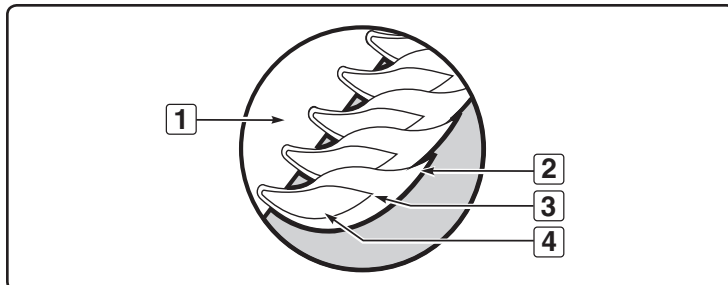
If the Spider/Insect screen becomes damaged or cannot be cleaned, please contact the Customer Service Representative in your area using the contact information on our web site. Log onto [www.weber.com](http://www.weber.com).

### BURNER FLAME PATTERN

The Weber® gas barbecue burners have been factory set for the correct air and gas mixture. The correct flame pattern is shown.

- A) Burner tube (1)
- B) Tips occasionally flicker yellow (2)
- C) Light blue (3)
- D) Dark blue (4)

If the flames do not appear to be uniform throughout the burner tube, follow the burner cleaning procedures.



### MAIN BURNER CLEANING PROCEDURE

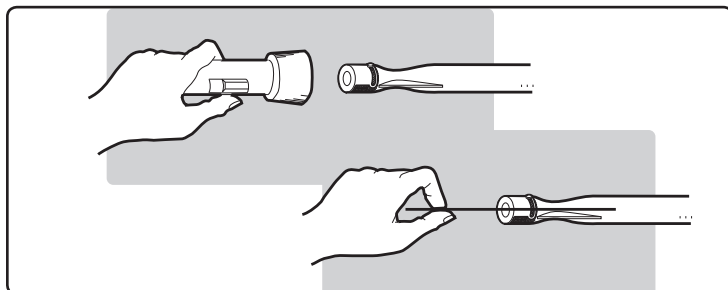
#### TURN OFF THE GAS SUPPLY.

Remove the manifold (See "Replacing Main Burners").

Look inside each burner with a flashlight.

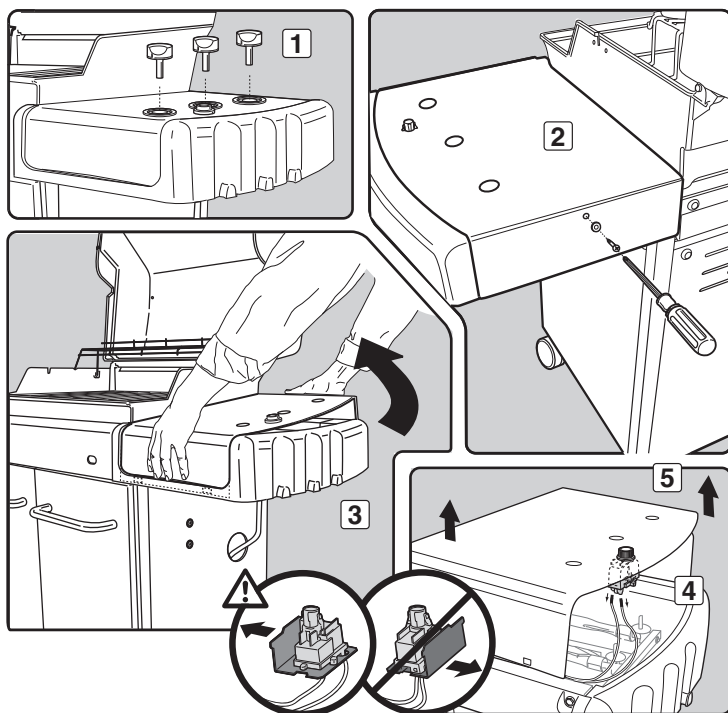
Clean the inside of the burners with a wire (a straightened-out coat hanger will work). Check and clean the air shutter opening at the ends of the burners. Check and clean the valve orifices at the base of the valves. Use a Steel bristle brush to clean outside of burners. This is to make sure all the burner ports are fully open.

**⚠ CAUTION: Do not enlarge the burner ports when cleaning.**



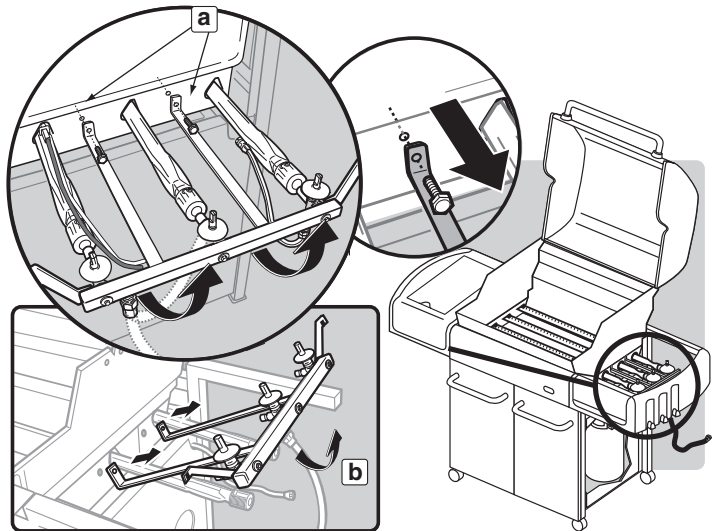
### REPLACING MAIN BURNERS

- A) Your Weber® gas barbecue must be OFF and cool.
- B) Turn gas OFF at source.
- C) To remove control panel:
  - (a) Take off the burner control knobs (1).
  - (b) Remove screw and washer from back of control panel with a Phillips screwdriver (2).
  - (c) Tilt the back edge of the control panel up. Push in on the front edge to release locking tabs (3).
  - (d) Disconnect the igniter wires from the ignition module (4).
  - (e) Carefully pull control panel away from frame (5).



## MAINTENANCE

- D) Remove the two threaded 7/16" hex screws (a) that hold the manifold support bracket to the cooking box. Pull the manifold and valve assembly towards you, at the same time lift the manifold assembly up to release the manifold brackets from the frame assembly. (b).

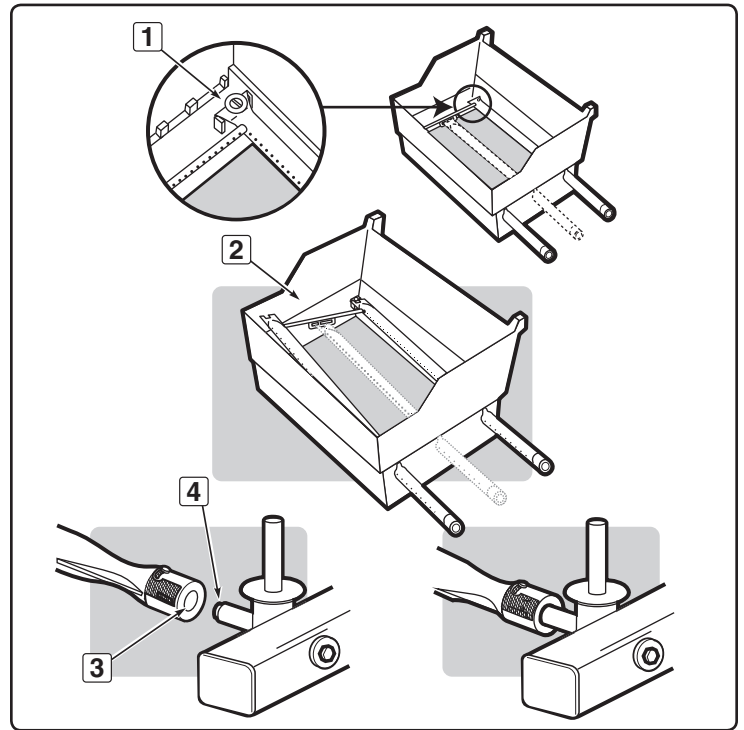


- E) Slide the burner assembly out from under the guide screw and washer (1) in the corners of the cooking box.  
 F) Lift and twist the burner assembly slightly, to separate the crossover tube (2) from the burners. Remove the burners from the cooking box.  
 G) To reinstall the burners, reverse C) through F).

⚠ **CAUTION: The burner openings (3) must be positioned properly over the valve orifices (4).**

Check proper assembly before fastening manifold in place.

⚠ **WARNING: After reinstalling the gas lines, they should be leak checked with a soap and water solution before using the barbecue. (See Step: "Check for gas leaks.")**



### CROSSOVER® IGNITION SYSTEM OPERATIONS

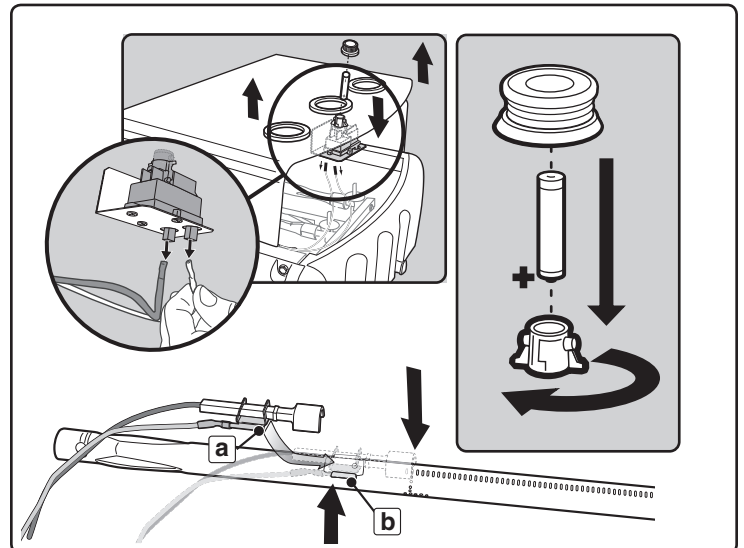
If The Crossover® Ignition System fails to ignite the BURNER 1, light BURNER 1 with a match. If BURNER 1 lights with a match, then check the Electronic Ignition System.

- Check that both of the ignition wires are attached at the igniter module properly.
- Check that the ignition wire is attached at the ceramic igniter properly.
- Check that the ceramic igniter assembly (a) is fully positioned into burner tube 1 igniter channel (b).
- Check that the ceramic igniter is properly positioned over the burner holes on BURNER 1.
- Check that the Electronic Ignition Button is working by listening and looking for sparks at BURNER 1.

### REPLACE BATTERY IF NECESSARY

AAA alkaline battery only. See illustration:

If the Electronic Ignition System still fails to light, contact the Customer Service Representative in your area using the contact information on our web site. Log onto [www.weber.com](http://www.weber.com).







# GENESIS®



## BARBACOA DE GAS

Guía del Propietario de la barbacoa de gas propano licuado

310/320

#89478



**DEBE LEER ESTA GUÍA DEL PROPIETARIO ANTES DE PONER A FUNCIONAR LA BARBACOA DE GAS.**

### ⚠ PELIGRO

Si huele a gas:

1. Cierre el suministro de gas al artefacto.
2. Apague todas las flamas cerrando la valvula general de paso.
3. Abra la tapa.
4. Llame inmediatamente a la central de fugas o a su proveedor de gas.

Una fuga de gas puede provocar un incendio o explosión que puede resultar en lesiones corporales serias o la muerte, o daños a la propiedad.

### ⚠ PARA SU SEGURIDAD

1. No almacene gasolina u otros fluidos flamables en la cercanía de su aparato.
2. Ningún cilindro de propano licuado que no esté conectado para su uso deberá almacenarse cerca de éste o cualquier otro artefacto doméstico.

⚠ **NOTA IMPORTANTE:** Antes de poner a funcionar la asador, siga cuidadosamente todos los procedimientos en este manual para verificar que no existan fugas. Haga esto aun y cuando la asador haya sido ensamblada por el distribuidor.

⚠ **NOTA IMPORTANTE:** No trate de encender este artefacto sin antes leer la sección “Instrucciones para encender la asador” de este manual.

### AVISO AL INSTALADOR:

Estas instrucciones deben permanecer con el propietario, quien las deberá guardar para un futuro uso.

**ESTE ARTEFACTO A GAS ESTÁ DISEÑADO PARA USARSE SOLAMENTE AL AIRE LIBRE.**



# ADVERTENCIAS

## ⚠ PELIGRO

El hacer caso omiso de los avisos de peligros, advertencias y precauciones contenidos en este Manual del Propietario pudiera resultar en lesiones corporales serias o la muerte, o en un fuego o explosión que cause daños a la propiedad.

## ⚠ ADVERTENCIAS

- ⚠ No almacene un tanque de propano licuado desconectado o de repuesto debajo o cerca de este asador.
- ⚠ El ensamblaje incorrecto puede ser peligroso. Por favor siga cuidadosamente las instrucciones de ensamblaje.
- ⚠ Tras haber estado guardada o sin uso por algún tiempo, antes de usar la barbacoa de gas Weber® verifique que no existan fugas de gas o obstrucciones en el quemador. Vea en este manual las instrucciones para los procedimientos correctos.
- ⚠ No opere la barbacoa de gas Weber® si existe una fuga de gas.
- ⚠ No utilice una llama abierta para comprobar la existencia de fugas de gas.
- ⚠ Nunca debe haber materiales combustibles a una distancia menor de 24 pulgadas (60 cm) de la parte superior, inferior, trasera o lateral de su asador de gas Weber®.
- ⚠ No coloque una funda para barbacoas ni cualquier otra artículo inflamable sobre o dentro del área de almacenaje ubicada debajo del asador.
- ⚠ Nunca permita que los niños usen la barbacoa de gas Weber®. Algunas partes accesibles de la barbacoa pudieran estar muy calientes. Mantenga alejados a los niños pequeños mientras ésta se esté usando.
- ⚠ Usted debe proceder con razonable cuidado al usar su barbacoa de gas Weber®. Ésta estará caliente al cocinarse en ella o al limpiarla, y nunca deberá dejarse desatendida o moverse mientras esté funcionando.
- ⚠ Si llegasen a apagarse los quemadores, cierre todas las válvulas de gas. Abra la tapa y espere cinco minutos antes de tratar de volver a encender la barbacoa, usando las instrucciones de encendido en este manual.
- ⚠ No use carbón o piedra pómez en su barbacoa de gas Weber®.
- ⚠ No se incline sobre la barbacoa abierta o coloque las manos o dedos en el borde delantero de la caja de cocción.
- ⚠ Si la grasa llegase a agarrar fuego, apague todos los quemadores y mantenga la tapa cerrada hasta que se haya apagado el fuego.
- ⚠ Al limpiar las válvulas o los quemadores, no ensanche los orificios de las válvulas o las aberturas de los quemadores.
- ⚠ La barbacoa de gas Weber® deberá limpiarse a fondo regularmente.
- ⚠ El propano licuado no es gas natural. El uso de gas natural en una unidad de propano licuado o viceversa, propano licuado en una de gas natural, es peligroso y anulará su garantía.
- ⚠ Mientras opere la barbacoa, utilice guantes resistentes al calor.
- ⚠ Mantenga alejados de todas las superficie calientes a todo cordón eléctrico y a la manguera de suministro de combustible.
- ⚠ Los subproductos de la combustión producidos al usar este producto contienen sustancias químicas que son conocidas por el Estado de la California como causantes de cáncer, defectos de nacimiento, u otros daños reproductivos.
- ⚠ No use esta barbacoa a menos que todas sus partes estén colocadas en su sitio. La unidad debe ensamblarse correctamente de acuerdo con las instrucciones de ensamblaje.
- ⚠ No construya este modelo de barbacoa en ninguna construcción en la que la barbacoa esté incorporada de manera fija o deslizable. El no acatar esta Advertencia pudiera resultar en un fuego o una explosión que pudiera causar daños a la propiedad y heridas corporales graves o la muerte.
- ⚠ Propuesta 65 Advertencia: El manipular los materiales de latón en este producto lo exponen al plomo, una sustancia química conocida por el estado de California como causante de cáncer, de defectos de nacimiento o de otros daños reproductivos. *(Lávese las manos después de manipular este producto.)*

## ÚNICAMENTE UNIDADES DE GAS PROPANO LICUADO

- ⚠ Use el regulador que se suministra con la barbacoa de gas Weber®.
- ⚠ No trate de desconectar el regulador de gas o ninguna conexión de gas mientras esté funcionando la barbacoa.
- ⚠ Un cilindro de propano licuado abollado u oxidado pudiera ser peligroso y deberá ser revisado por su suplidor de propano licuado. No utilice ningún cilindro de propano licuado con una válvula dañada.
- ⚠ Aunque el cilindro de propano licuado pudiera aparentar estar vacío, algo de gas pudiera aún estar presente, por lo que el cilindro deberá transportarse y almacenarse tomando esta posibilidad en consideración.
- ⚠ Si usted ve, huele o escucha el silbido de un escape de gas del cilindro de propano licuado:
  1. Apártese del cilindro de propano licuado.
  2. No trate de corregir el problema usted mismo.
  3. Llame al cuerpo de bomberos local.

## INSTRUCCIONES GENERALES

La barbacoa de gas Weber® es un aparato transportable para cocinar al aire libre. Con la barbacoa de gas Weber® usted puede asar a la parrilla, a la barbacoa, al horno y hornear con unos resultados que son difíciles de duplicar con los aparatos de cocina de casa. La tapa cerrada y las barras Flavorizer® le dan a los alimentos ese sabor a "aire libre".

La barbacoa de gas Weber® es portátil por lo que usted puede reubicarla fácilmente de sitio en su jardín o patio. La portabilidad significa que, si usted se muda, se puede llevar su barbacoa de gas Weber® consigo.

El suministro de gas propano licuado es fácil de usar y le da más control al cocinar que el carbón.

- Estas instrucciones le indicarán los requisitos mínimos para ensamblar la barbacoa de gas Weber®. Por favor lea cuidadosamente las instrucciones antes de utilizar la barbacoa de gas Weber®. Un ensamblaje incorrecto puede ser peligroso.
- No debe ser usada por niños.
- Si hubiese códigos locales que aplicasen para las barbacoas de gas portátil, usted deberá acatarlas. La instalación debe cumplir con los códigos locales o, en ausencia de estos, bien sea con el "Código nacional de gas combustible", ANSI Z223.1/NFPA 54, el "Código de instalaciones de gas natural y propano", CSA B149.1, o el "Código de manipulación y almacenaje de propano", B149.2, o la "Norma para vehículos recreativos", ANSI A 119.2/NFPA 1192, y CSA Z240 RV Series, "Código para vehículos recreativos", según corresponda.
- Debe usarse el regulador de presión suministrado con la barbacoa de gas Weber®. Este regulador está ajustado para una presión de 11 pulgadas de columna de agua.
- Esta barbacoa de gas Weber® está diseñada para ser usada solamente con gas propano licuado (LP). No la use con gas natural (suministrado a través de tuberías en las ciudades). Las válvulas, los orificios, la manguera y regulador son solamente aptos para gas propano licuado.
- No la use con carbón.
- Asegúrese de que el área debajo del panel de control y la bandeja inferior no tenga desechos que pudiesen obstruir el flujo de aire de combustión o de ventilación.
- Las áreas alrededor del cilindro de gas de propano licuado deben estar libres y sin acumulación de desperdicios.
- Los reguladores de presión y ensambles de manguera de reemplazo deben ser los especificados por Weber-Stephen Products Co.

### Para compras hechas en México

- Si hubiese códigos locales que se aplicasen a los asadores de gas portátiles, usted deberá cumplir con la más reciente edición de NOM.

## PARA SU INSTALACIÓN EN CANADÁ

Estas instrucciones, aunque de manera general son aceptables, no necesariamente cumplen con los códigos de instalación canadienses, en particular en lo que respecta a tuberías bajo y sobre tierra. En Canadá, la instalación de este artefacto debe cumplir con los códigos locales y/o la Norma CSA-B149.2 ("Código de manipulación y almacenaje de propano").

## OPERACIÓN DE LA BARBACOA

- ⚠ **ADVERTENCIA:** Sólo use esta barbacoa al aire libre en un área bien ventilada. No la use en un garaje, edificio, pasadizo techado o en cualquier otra área cerrada.

## CÓMO COCINAR

- ⚠ **ADVERTENCIA:** No mueva la barbacoa de gas Weber® mientras esté funcionando o esté caliente.

Puede ajustar los QUEMADORES 1, 2 y 3 a su gusto. Los ajustes de control: Alto (H), Medio (M), Bajo (L) o Apagado (O) están descritos en su libro de recetas Weber®. El libro de recetas usa esta notación para describir los ajustes de los QUEMADORES 1, 2 y 3. Por ejemplo, para dorar los bistecs, usted deberá colocar todos los quemadores en la posición H (fuego alto). Una vez dorados, para terminar de cocinarlos ajustará el QUEMADOR 1 y el QUEMADOR 2 a la posición M (medio). Consulte el libro de recetas Weber® para las instrucciones detalladas sobre cómo cocinar con la barbacoa.

*Nota: La temperatura dentro de la caja de cocción durante las primeras ocasiones en que se use, cuando las superficies sean todavía demasiado reflectoras, podrá estar más caliente de lo que se indica en el libro de recetas. Las condiciones bajo las que se esté cocinando, tales como el viento y las condiciones del tiempo, pueden hacer que se requieran ajustes a los controles de los quemadores para obtener las temperaturas de cocción correctas.*

**Pre calentamiento** - La barbacoa de gas Weber® es un artefacto que usa eficientemente la energía. Ésta opera a una baja tasa de consumo calorífico. Para precalentar: después de encenderla, cierre la tapa y gire los quemadores a fuego alto (H). El precalentar a una temperatura entre 500° y 550° F (260° y 290° C) tardará de 10 a 15 minutos dependiendo de tales condiciones como la temperatura del aire y el viento.

- ⚠ **ADVERTENCIA:** Mantenga las aberturas de ventilación de la caja del cilindro libres de obstrucciones y limpias.
- ⚠ **ADVERTENCIA:** La barbacoa de gas Weber® no deberá usarse debajo de un techo combustible.
- ⚠ **ADVERTENCIA:** La barbacoa de gas Weber® no ha sido diseñada para instalarse en o sobre vehículos y/o botes recreativos.
- ⚠ **ADVERTENCIA:** No utilice la barbacoa con la parte superior, inferior, posterior, o lateral de la parrilla a menos de 24 pulgadas (60 cm) de distancia de materiales combustibles.
- ⚠ **ADVERTENCIA:** La caja de cocción entera se calienta al usarse. No la deje desatendida.
- ⚠ **ADVERTENCIA:** Mantenga a cualquier cordón eléctrico y a la manguera de suministro de gas alejados de toda superficie caliente.
- ⚠ **ADVERTENCIA:** Mantenga el área de cocinar libre de vapores y líquidos inflamables tales como gasolina, alcohol, etc. y de materiales combustibles.
- ⚠ **ADVERTENCIA:** Nunca almacene cilindros de propano licuado extra (de repuesto) debajo o cerca de la barbacoa de gas Weber®.
- ⚠ **ADVERTENCIA:** El cilindro de propano licuado usado con la barbacoa debe contar con un "Dispositivo de prevención de sobrellenado" (OPD, por sus siglas en inglés) y una conexión QCC1 o tipo 1 (CGA810). La conexión del cilindro debe ser compatible con la de la barbacoa.

## ALMACENAJE Y/O SIN USO

- La válvula de gas en el cilindro de propano licuado debe mantenerse cerrada mientras la barbacoa de gas Weber® esté sin usarse.
- Cuando la barbacoa de gas Weber® esté almacenada bajo techo, el suministro de gas debe DESCONECTARSE y el tanque de propano licuado debe guardarse al aire libre en un espacio bien ventilado.
- El cilindro de propano licuado debe guardarse al aire libre en un área bien ventilada fuera del alcance de los niños. El cilindro desconectado de propano licuado no debe almacenarse dentro de ninguna edificación, garaje o área cerrada.
- Cuando el cilindro de propano licuado no esté desconectado de la barbacoa de gas Weber®, el artefacto junto con el tanque de propano licuado deberán mantenerse al aire libre en un espacio bien ventilado.
- La barbacoa de gas Weber® debe revisarse antes de usarse para verificar de que no tenga fugas de gas ni obstrucciones en los tubos de los quemadores. (Vea la sección: "Mantenimiento/Mantenimiento anual").
- Asegúrese de que el área debajo del panel de control y la bandeja inferior no tengan desechos que pudiesen obstruir el flujo de aire de combustión o de ventilación.
- También deberá revisarse que la malla contra arañas e insectos no esté obstruida. (Vea la sección: "Mantenimiento/Mantenimiento anual").

**Grasa escurrida** - Las barras Flavorizer® han sido diseñadas para "ahumar" la cantidad correcta de grasa escurrida para así obtener una cocción con sazón. El exceso de grasa escurrida se acumulará en el plato recolector debajo de la bandeja corredera inferior. Hay disponibles bandejas de goteo desechables que caben en el plato recolector.

- ⚠ **ADVERTENCIA:** Antes de cada uso, verifique que no haya grasa acumulada en la bandeja inferior. Retire el exceso de grasa para evitar que ésta se incendie en la bandeja corredera inferior.

## LIMPIEZA

- ⚠ **ADVERTENCIA:** Apague la barbacoa de gas Weber® y espere a que se enfríe antes de limpiarla.
- ⚠ **PRECAUCIÓN:** No limpie las barras Flavorizer® o las parrillas cocción en un horno autolimpiante.

Para averiguar donde comprar las parrillas de cocción y las barras Flavorizer® de reemplazo, contacte al Representante de Atención al Cliente en su área usando la información de contacto en nuestro sitio web. Conéctese a [www.weber.com](http://www.weber.com)

**Superficies externas** - Utilice una solución de agua jabonosa tibia para limpiarlas y luego enjuáguelas con agua.

## INSTRUCCIONES GENERALES

**⚠ PRECAUCIÓN: Sobre la superficie de la barbacoa o del carro no utilice limpiadores de horno, limpiadores abrasivos (limpiadores de cocinas), limpiadores que contengan productos cítricos, o almohadillas de limpieza abrasivas.**

**Deslice hacia afuera la bandeja del fondo** - Retire el exceso de grasa, luego lávela con agua jabonosa tibia y finalmente enjuáguela.

**Barras Flavorizer® y rejillas de cocción** - Límpielas con un cepillo de cerdas de acero inoxidable adecuado. Según se requiera, retírela de la barbacoa y lávela con agua jabonosa tibia y luego enjuáguela con agua.

**Plato recolector** - Hay disponibles bandejas desechables de lámina de metal, o usted mismo puede forrar el plato recolector con papel aluminio. Para limpiar el plato recolector, lávelo con agua jabonosa tibia y luego enjuague.

**Termómetro** - Pásele un trapo con agua tibia jabonosa, y límpielo con una pelota plástica de fregar.

**Dentro del módulo de cocción** - Quite cualquier resto de los tubos del quemador **NO AGRANDE LAS ABERTURAS DE LOS QUEMADORES** Lave la parte interior de la caja de cocción con agua jabonosa y luego enjuáguela con agua.

**Tapa interna** - Mientras la tapa esté tibia, limpie la parte interna con una toalla de papel para prevenir la acumulación de grasa. La grasa acumulada escamada se asemeja a las escamas de pintura.

**Superficies de acero inoxidable** - Lávelas con un paño suave y una solución de agua y jabón. Tenga cuidado de fregarlas en la dirección del grano del acero inoxidable.

**No utilice limpiadores que contengan ácido, destilado de petróleo o xileno.** Enjuáguelas bien después de lavarlas.

**Preserve su acero inoxidable**

La barbacoa o su gabinete, tapa, panel de control y estantes pudieran estar hechos de acero inoxidable. Es sencillo mantener vistoso al acero inoxidable. Límpielo con agua y jabón, enjuáguelo con agua limpia y séquelo con un trapo. Para partículas difíciles de sacar, se puede usar un cepillo no metálico.

**⚠ IMPORTANTE: No utilice cepillos de alambre o limpiadores abrasivos sobre las superficies de acero inoxidable ya que las rayarán.**

**⚠ IMPORTANTE: Al limpiar las superficies asegúrese de frotar/restregar en la dirección del grano para preservar la vistosidad del acero inoxidable.**

## INSTRUCCIONES SOBRE EL GAS

### INFORMACIÓN IMPORTANTE SOBRE EL CILINDRO DE PROPANO LICUADO

#### ⚠ PELIGRO

**⚠ NUNCA almacene un cilindro de gas propano licuado de reserva debajo o cerca de esta barbacoa.**

**⚠ NUNCA llene el tanque más allá de un 80% lleno.**

**⚠ El no acatar estrictamente estos avisos de PELIGRO pudiera resultar en un fuego letal o causar lesiones serias.**

Su barbacoa de gas Weber® está equipada para usarse con un sistema de suministro desde cilindros diseñado para el retiro del vapor.

**⚠ ADVERTENCIA: Solamente use esta barbacoa en un área bien ventilada al aire libre. No la use en un garaje, edificio, pasadizo techado o en cualquier otra área cerrada.**

Las maneras correctas para llenar su cilindro son por peso o por volumen, según se describe en la norma NFPA-58. Por favor asegúrese de que su estación de llenado llene su cilindro de gas propano licuado midiendo el peso o el volumen. Pídale al personal de la estación de llenado que lean las instrucciones sobre cómo purgar y llenar el cilindro de gas propano licuado antes de tratar de llenarlo.

### PREPARATIVOS PARA LA BÚSQUEDA DE FUGAS

**VERIFIQUE QUE TODAS LAS VÁLVULAS DE LOS QUEMADORES ESTÉN CERRADAS**

Las válvulas son despachadas de fábrica en la posición "OFF" (cerradas), pero usted debe verificarlo para asegurarse de que efectivamente estén cerradas. Verifíquelo presionándolas hacia abajo y girándolas hacia la derecha. Si no giran, están cerradas. Proceda al paso siguiente. Si sí girasen, continúe girándolas hacia la derecha hasta que paren; allí estarán cerradas. Proceda al paso siguiente.

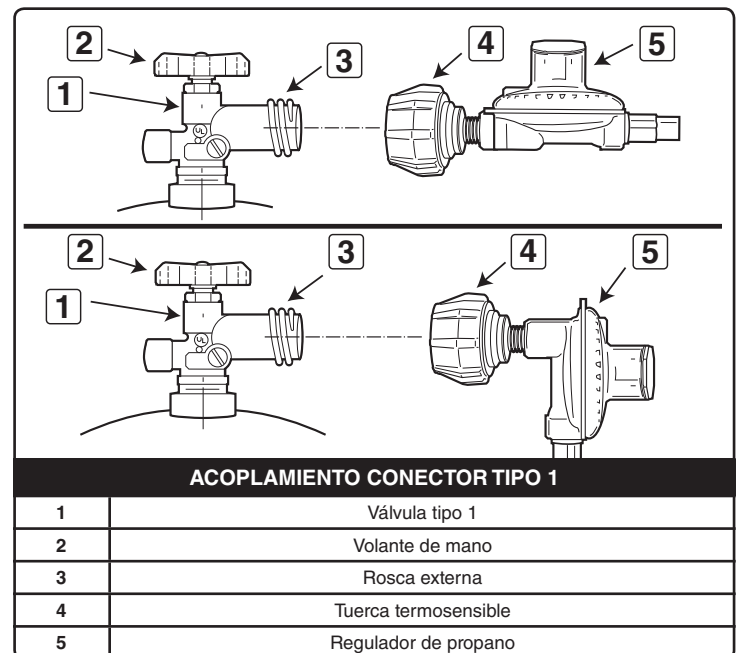
### CÓMO CONECTAR EL CILINDRO DE PROPANO LICUADO

Todos los reguladores de las barbacoas Weber® de gas propano licuado están equipados con una conexión para tanques aprobada por UL según la más reciente edición de ASI Z21.58. Esto requerirá de un tanque de propano licuado equipado de manera similar con una conexión tipo 1 en la válvula del tanque. Este acoplamiento tipo 1 permite realizar una conexión rápida y totalmente segura entre la barbacoa de gas y el tanque de propano licuado. Elimina la posibilidad de fugas a causa de una conexión POL floja. El gas no fluirá del tanque a menos que el acoplamiento tipo 1 esté totalmente encajado dentro del acoplamiento.

**⚠ ADVERTENCIA: Asegúrese de que la válvula del cilindro de propano licuado esté cerrada. Círrrela girándola en la dirección de las agujas del reloj.**

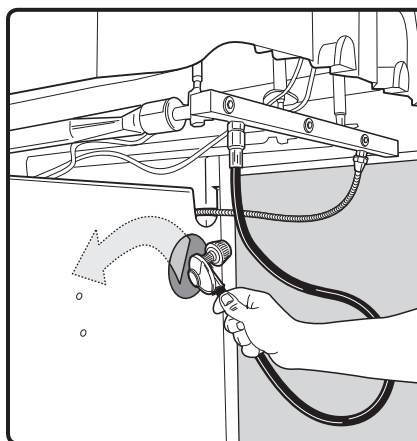
#### ⚠ PELIGRO

**No utilice una llama abierta para comprobar si existen fugas de gas. Asegúrese de que no haya chispas o llamas abiertas en el área mientras comprueba si existen fugas. Chispas o llamas causarán un fuego o explosión, las cuales pueden causar serias lesiones corporales o la muerte, y daños a la propiedad.**



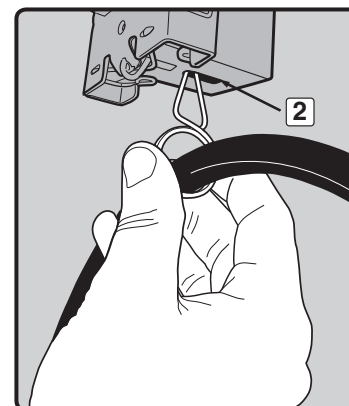
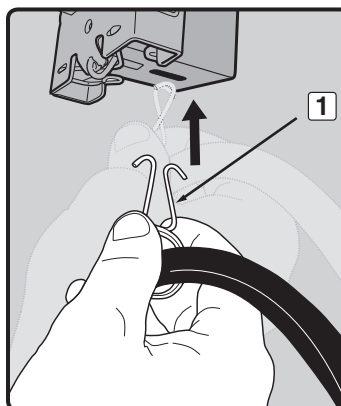
## PARA CONECTAR LA MANGUERA AL CILINDRO:

- A) Pase la manguera del regulador a través de la abertura del panel lateral a la parte interior de la base del gabinete.



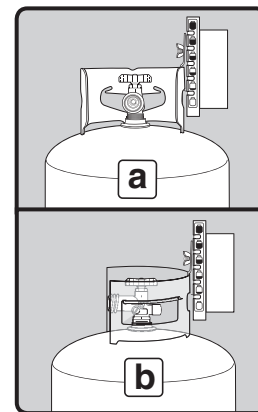
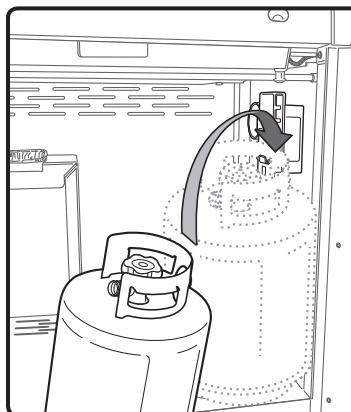
- B) Ubique la grapa de retención de la manguera (1) en la manguera del regulador. Fijela a la ranura (2) en el lado inferior de la báscula del tanque.

**⚠ ADVERTENCIA: La manguera debe fijarse a la báscula del tanque con la grapa de retención de la manguera. El no hacerlo pudiera causar daños a la manguera resultando en un fuego o explosión, lo cual puede causar lesiones corporales o la muerte y daños a la propiedad.**



El cilindro de propano licuado va instalado dentro del gabinete de la base, sobre la báscula del tanque (lado derecho).

- C) Abra las puertas del gabinete.  
 D) Gire el cilindro de propano licuado de manera que la abertura de la válvula dé de cara al frente o a los lados de la barbacoa de gas Weber. Levante y enganche el cilindro al indicador de combustible.  
 E) Levante el tanque a su posición sobre la báscula del tanque.  
 F) Afloje la tuerca de mariposa del seguro del cilindro. Gire el seguro del cilindro hacia abajo.



Apriete la tuerca de mariposa. Algunos tanques de propano licuado tienen diferentes ensambles del collarín superior. (El collarín superior es el aro protector de metal alrededor de la válvula.) Una serie de tanques se montan con la válvula hacia adelante. (a). Los demás tanques se ensamblian con la válvula viendo en dirección contraria a la báscula de combustible (b). Weber® recomienda el uso de cilindros fabricados por las empresas Manchester y Worthington, con una capacidad de 47.6 libras de agua. Otros cilindros pudieran ser aceptables para su uso con este artefacto siempre y cuando sean compatibles con el mecanismo de retención del artefacto (vea la Ilustración para detallar el punto de contacto del mecanismo de retención).

- G) Retire la cubierta antipolvo de plástico de la válvula.  
 H) Enrosque el cople del regulador a la válvula del tanque, en el sentido de las agujas del reloj o hacia la derecha. Sólo apriete a mano.

*Nota: Este es un nuevo tipo de conexión. Se aprieta hacia la derecha y no permitirá que el gas fluya a menos que la conexión esté apretada. La conexión sólo requiere apretarse a mano.*

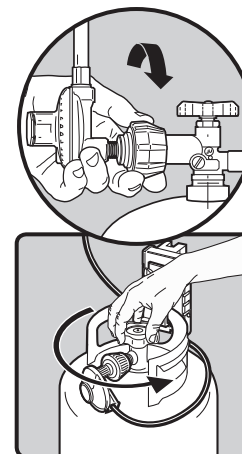
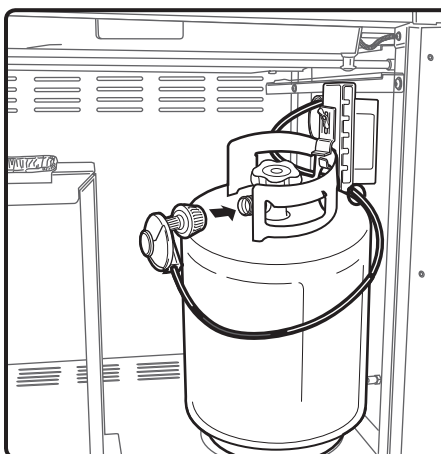
**⚠ ADVERTENCIA: No use una llave para apretar la conexión. Si usa una llave, podría dañar el cople del regulador y causar una fuga.**

*Usted necesitará: el cilindro de propano licuado, una solución de agua y jabón y un trapo o una brocha para aplicarla.*

- I) Mezcle el agua y jabón.  
 J) Abra la válvula del cilindro.  
 K) Verifique que no existan fugas mojando las conexiones con la solución de agua y jabón y viendo si se generan burbujas. Si se forman burbujas, o si una burbuja crece, es que hay una fuga.

Si hay una fuga, cierre el gas y apriete la conexión. Abra el gas de nuevo y con la solución de jabón y agua vuelva a verificar que no existan fugas. Si la fuga no para, contacte al Representante de Atención a los Clientes en su región usando la información de contacto en nuestro sitio en la Internet. Conéctese a [www.weber.com](http://www.weber.com)®. No utilice la barbacoa.

- L) Cuando se haya completado la comprobación de las fugas de gas, CIERRE el suministro de gas en la fuente y enjuague las conexiones con agua.

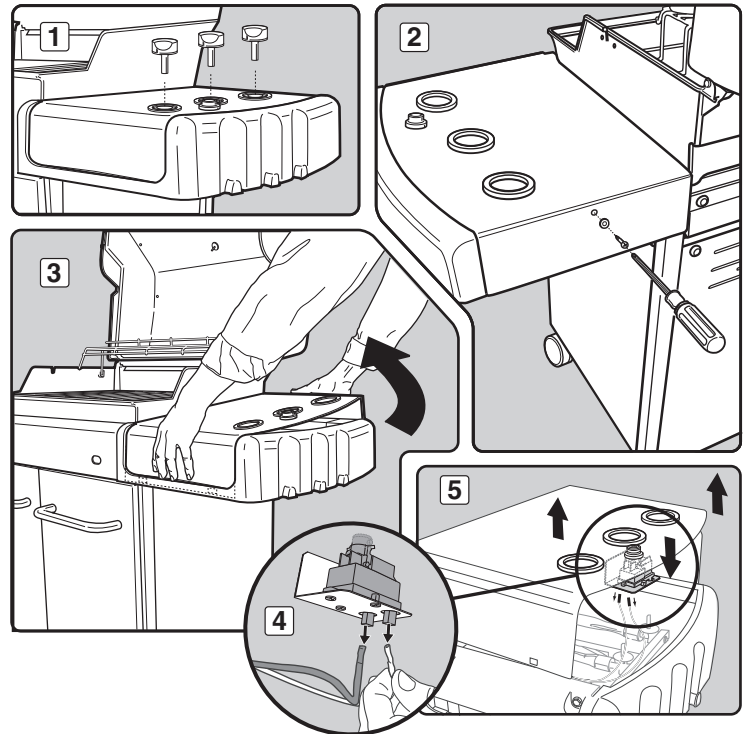


# INSTRUCCIONES SOBRE EL GAS

## PARA LAS PRUEBAS DE FUGAS, RETIRE LAS PERILLAS DE CONTROL Y EL PANEL DE CONTROL

Usted necesitará: un destornillador Phillips.

- Retire las perillas de control (1).
- Saque el tornillo y la arandela de la parte trasera del panel de control con un destornillador Phillips (2).
- Incline el borde trasero del panel de control hacia arriba. Empuje el borde delantero para soltar las lengüetas de sujeción. Con cuidado saque el panel de control del bastidor (3).
- Desconecte los cables de encendido del módulo de encendido (4).
- Una vez concluidas las pruebas de fugas, vuelva a colocar en su lugar el panel de control (5).



## COMPRUEBE QUE NO HAYA FUGAS DE GAS

### ⚠ PELIGRO

No utilice una llama abierta para comprobar si existen fugas de gas. Asegúrese de que no haya chispas o llamas abiertas en el área mientras comprueba si existen fugas. Chispas o llamas resultarán un fuego o explosión, las cuales pueden causar serias lesiones corporales o la muerte, y daños a la propiedad.

- ⚠ **ADVERTENCIA:** Cada vez que conecte o desconecte una conexión de gas, deberá verificar que no hayan fugas de gas.

*Nota: Todas las conexiones hechas en la fábrica han sido revisadas a fondo para verificar que no existan fugas de gas. Los quemadores han sido probados con las llamas encendidas. Sin embargo, como medida de precaución, debería revisar cada una de las conexiones para confirmar la ausencia de fugas antes de utilizar la barbacoa de gas Weber. Durante el transporte y manejo alguna conexión de la línea de gas pudiera aflojarse o dañarse.*

- ⚠ **ADVERTENCIA:** Lleve a cabo estos chequeos de fugas aun y cuando su barbacoa haya sido ensamblada por el distribuidor o en la tienda donde la compró.

Usted necesitará: una solución de agua y jabón y un trapo o una brocha para aplicarla.

*Nota: Dado que algunas soluciones para la detección de fugas, incluyendo el agua y jabón, pueden ser ligeramente corrosivas, todas las conexiones deberán enjuagarse con agua después de realizar la búsqueda de fugas.*

Si su barbacoa tiene un quemador lateral, asegúrese de que el quemador esté apagado.

Para realizar la comprobación de que no hay fugas: abra la válvula del cilindro girando el manubrio de ésta hacia la izquierda.

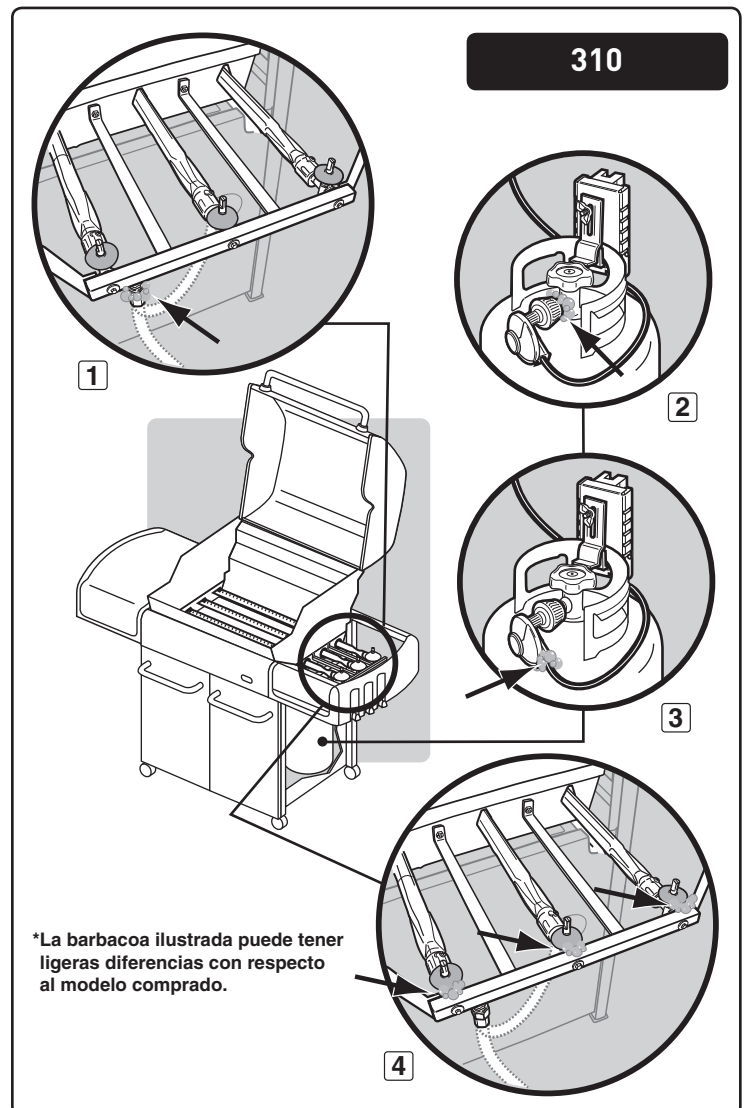
- ⚠ **ADVERTENCIA:** No encienda los quemadores mientras esté verificando la existencia de fugas.

Compruebe la existencia de fugas mojando las conexiones con la solución de agua y jabón y viendo si se generan burbujas. Si se forman burbujas o si una burbuja crece existe una fuga.

### Revise:

- La conexión de la manguera al múltiple (1).
- ⚠ **ADVERTENCIA:** Si hay una fuga en la conexión (1), vuelva a apretar la conexión con una llave y vuelva a verificar con la solución de agua y jabón. Si una fuga persiste aun después de volver a apretar la conexión, CIERRE el gas. NO OPERE LA BARBACOA. Contacte al Representante de Atención al Cliente en su área utilizando la información de contacto en nuestro sitio web. Conéctese a [www.weber.com](http://www.weber.com)®.
- La conexión del regulador al cilindro (2).
  - La conexión de la manguera al regulador (3).
  - Las conexiones de las válvulas al múltiple (4).
- ⚠ **ADVERTENCIA:** Si hubiese una fuga en las conexiones (2), (3) o (4), CIERRE el gas. NO OPERE LA BARBACOA. Contacte al Representante de Atención al Cliente en su área utilizando la información de contacto en nuestro sitio web. Conéctese a [www.weber.com](http://www.weber.com)®.

Cuando se haya completado la comprobación de las fugas de gas, CIERRE el suministro de gas en la fuente y enjuague las conexiones con agua.



## Revise:

- A) La conexión de la manguera al múltiple (1).
- B) La conexión de la manguera del quemador lateral al múltiple y la conexión de la manguera del quemador lateral a la línea de conexión de gas del quemador lateral (2).
- C) La conexión de la manguera del quemador lateral al quemador lateral, y las conexiones de la válvula del quemador lateral a los orificios (3).

⚠ **ADVERTENCIA:** Si hay una fuga en la conexión (1, 2, o 3), vuelva a apretar la conexión con una llave y vuelva a verificar con la solución de agua y jabón. Si una fuga persistiese aún después de volver a apretar la conexión, **CIERRE** el gas. **NO OPERE LA BARBACOA.** Contacte al Representante de Atención al Cliente en su área utilizando la información de contacto en nuestro sitio web. Conéctese a [www.weber.com](http://www.weber.com)®.

- D) La conexión del regulador al cilindro (4).
- E) La conexión de la manguera al regulador (5).
- F) Las conexiones de las válvulas al múltiple (6).

⚠ **ADVERTENCIA:** Si hubiese una fuga en las conexiones (4, 5 o 6), **CIERRE** el gas. **NO OPERE LA BARBACOA.** Contacte al Representante de Atención al Cliente en su área utilizando la información de contacto en nuestro sitio web. Conéctese a [www.weber.com](http://www.weber.com)®.

Cuando se haya completado la revisión de las fugas de gas, **CIERRE** el suministro de gas en la fuente y enjuague las conexiones con agua.

## CÓMO RECARGAR EL CILINDRO DE PROPANO LICUADO

Le recomendamos que llene su cilindro de gas propano licuado antes de que éste se vacíe por completo.

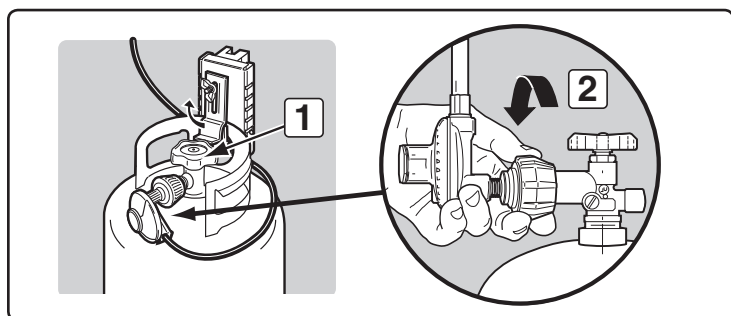
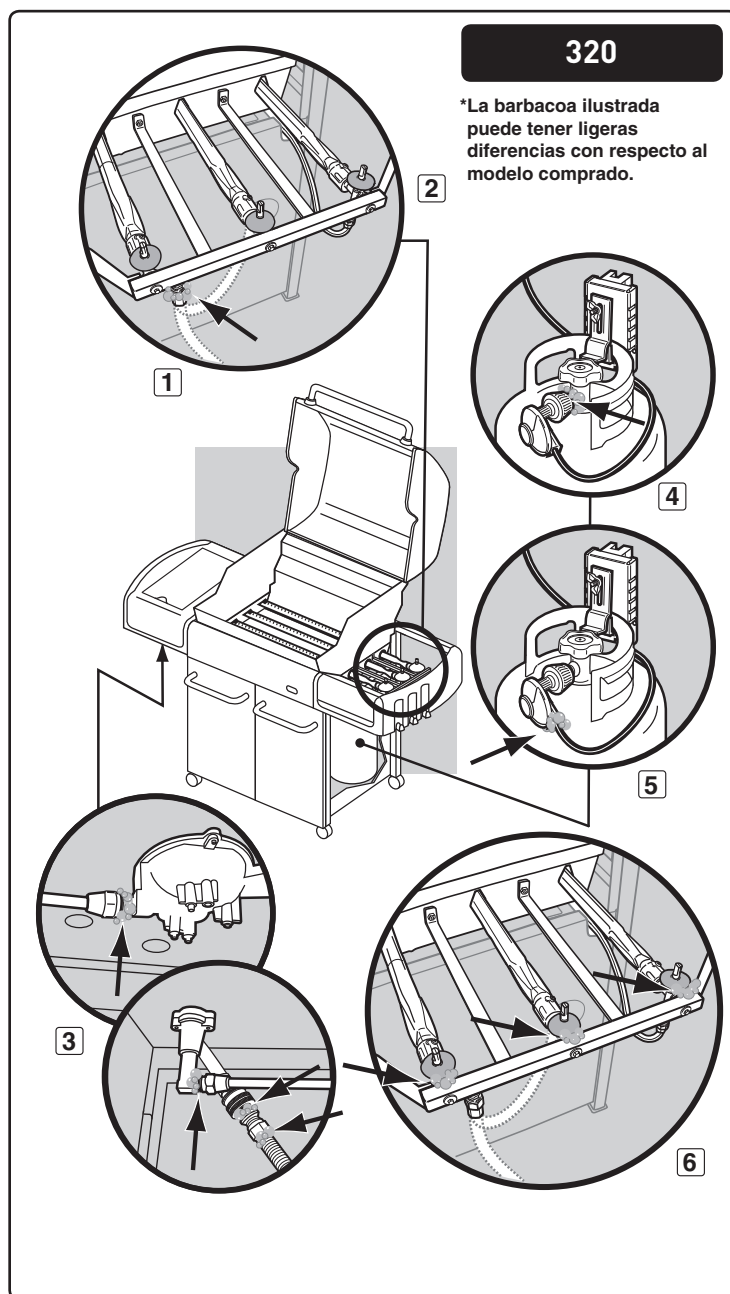
Cómo retirar el cilindro de gas propano licuado.

- A) Cierre la válvula del tanque (gire en el sentido de las agujas del reloj) (1).
- B) Desenrosque el cople del regulador girándolo, solamente a mano, en sentido contrario a las agujas del reloj (2).
- C) Afloje la tuerca de mariposa del seguro del cilindro y voltee el seguro hacia arriba para que no moleste.
- D) Levante el cilindro del soporte.

Para llenar un cilindro de gas propano, llévalo a un expendedor de gas propano, o busque a otros suplidores bajo "gas propano" en el directorio telefónico.

⚠ **ADVERTENCIA:** Recomendamos llenar su cilindro de gas propano licuado con un distribuidor de gas propano autorizado que tenga un encargado debidamente calificado y que llene el tanque en base a peso. **EL LLENADO INCORRECTO ES PELIGROSO**

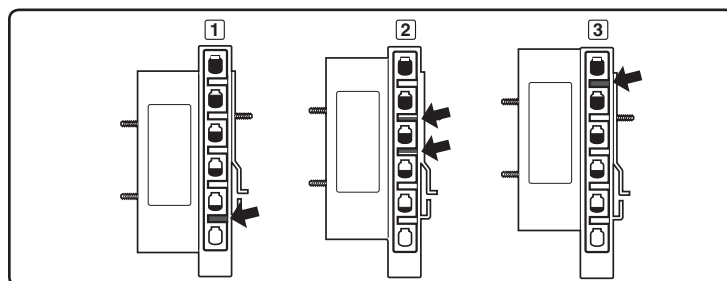
⚠ **PRECAUCIÓN:** Siempre que el cilindro esté sin usarse, coloque la capucha antipolvo sobre el la salida de la válvula del mismo. Sólo instale sobre la salida de la válvula el tipo de capucha antipolvo con la que vino provista la misma. Otros tipos de capuchas o tapones pudieran causar fugas de propano.



## CÓMO VERIFICAR EL NIVEL DE COMBUSTIBLE EN SU TANQUE

Verifique el nivel de combustible viendo la línea de color indicadora del nivel ubicada al lado de la báscula del tanque.

- A) Vacío (1)
- B) Medio (2)
- C) Lleno (3)



## INSTRUCCIONES SOBRE EL GAS

### SUGERENCIAS PARA EL MANEJO SEGURO DE LOS CILINDROS DE GAS PROPANO LICUADO

- El gas propano licuado es un producto petrolero al igual que lo son la gasolina y el gas natural. El propano es un gas a temperaturas y presiones normales. Bajo presión moderada, dentro de un cilindro, el gas propano es un líquido. En la medida en que se libera la presión, el líquido se evapora fácilmente y se convierte en gas.
- El gas propano tiene un olor similar al gas natural. Usted deberá estar al tanto de este olor.
- El gas propano es más pesado que el aire. El gas propano proveniente de una fuga puede acumularse en áreas bajas y prevenir su dispersión.
- Para llenar un cilindro de gas propano, llévelo a un expendededor de gas propano, o busque a otros suplidores bajo "gas propano" en el directorio telefónico.

#### ⚠ **ADVERTENCIA: Recomendamos llenar su cilindro de gas propano licuado con un distribuidor de gas propano autorizado que tenga un encargado debidamente calificado y que llene el tanque en base a peso. EL LLENADO INCORRECTO ES PELIGROSO.**

- Antes de su llenado inicial, el aire debe ser retirado de todo cilindro nuevo de propano licuado. Los distribuidores de propano licuado están equipados para hacerlo.
- El cilindro de propano licuado debe instalarse, transportarse y almacenarse en una posición parada. Los cilindros de propano licuado no deben dejarse caer o manipularse de manera brusca.
- Nunca almacene o transporte los cilindros de propano licuado en sitios donde la temperatura alcance los 125 ° F (52 ° C) (demasiado caliente para sostenerlo con la mano - por ejemplo: no deje un cilindro de gas propano dentro de un carro en un día caluroso).

*Nota: Una llenada durará alrededor de 18 -20 horas de tiempo de cocción bajo uso normal. La escala de combustible indica el suministro de propano disponible de manera que pueda volver a llenar el tanque antes de éste vaciarse. No necesita vaciar el tanque completamente antes de volver a llenarlo.*

- Trate a los cilindros de propano licuado "vacíos" con el mismo cuidado que cuando están llenos. Aun cuando el tanque de gas propano no contenga líquido todavía puede haber presión del gas en el cilindro. **Siempre cierre la válvula del cilindro antes de desconectarlo.**

#### ⚠ **PRECAUCIÓN: Siempre que el cilindro esté sin usarse, coloque la capucha antipolvo sobre la salida de la válvula del mismo. Sólo instale sobre la salida de la válvula el tipo de capucha antipolvo con la que vino provista la misma. Otros tipos de capuchas o tapones pudieran causar fugas de propano.**

- No use ningún cilindro de propano licuado dañado. Cilindros de propano licuado abollados u oxidados o con la válvula dañada son peligrosos y deberán reemplazarse por uno nuevo inmediatamente.

### CILINDRO(S) DE PROPANO LICUADO

- Cada vez que se reconecte un cilindro de propano licuado, se debe revisar que la unión por donde se conecta la manguera al cilindro no presente fugas. Por ejemplo, haga la prueba cada vez que se llena el cilindro de propano licuado.
- Asegúrese de que el regulador esté montado con el pequeño agujero respiradero viendo hacia abajo de manera que no se acumule agua en él. Este respiradero debe mantenerse libre de sucio, grasa, insectos, etc.
- Las conexiones de gas suministradas con la barbacoa de gas Weber® han sido diseñadas para cumplir en un 100% con los requisitos de las normas CSA y ANSI.

#### ⚠ **ADVERTENCIA: Lo tanques de propano licuado de reemplazo deben tener conexiones compatibles con la del regulador suministrado con esta barbacoa.**

### REQUISITOS DE LOS CILINDROS DE PROPANO LICUADO

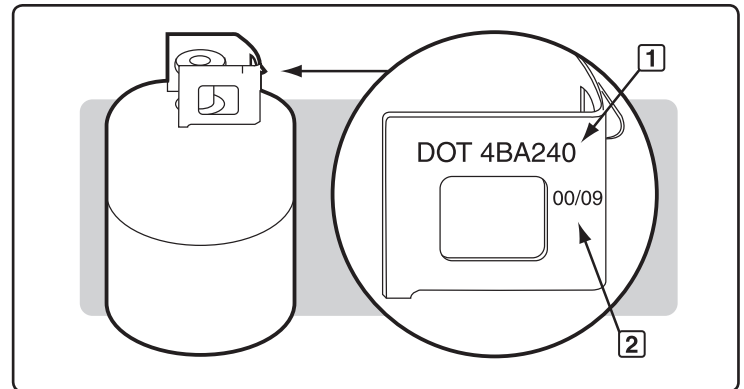
- Asegúrese de que los cilindros tengan una certificación del D.O.T. (Departamento de Transporte) (1), y que la fecha en que fueron probados (2) no sea de más de cinco años atrás. Su proveedor de propano licuado puede hacerlo por usted.
- Todos los sistemas de tanques de suministro de propano licuado deben incluir un collar que proteja la válvula del cilindro.
- El cilindro de gas debe tener un tamaño aproximado de 20 lb. (18¼ pulgadas de alto, 12¼ pulgadas de diámetro).
- Los cilindros deben construirse y marcarse de acuerdo con las "Especificaciones para cilindros de gas propano licuado" del Departamento de Transporte (D.O.T.) de los EE.UU. o la Norma Nacional Canadiense "CAN/CSA-B339, Cilindros, esferas y tubos" o "Transporte de bienes peligrosos"; y Comisión, según aplique.

### EN CANADÁ

### REQUISITOS DE LOS CILINDROS DE PROPANO LICUADO

*Nota: Su proveedor de venta al por menor puede ayudarle a buscar un tanque de reemplazo para su barbacoa.*

- El cilindro de propano licuado debe estar construido y marcado de acuerdo con las especificaciones para cilindros de gas propano licuado, T.C.



## INSTRUCCIONES DE OPERACIÓN

### ENCENDIDO

*Dentro del puerta izquierda del gabinete se encuentran las instrucciones resumidas de encendido.*

#### ⚠ **PELIGRO**

**El no abrir la tapa mientras se esté encendiendo el quemador de la barbacoa, o no esperar 5 minutos para que el gas se disipe si la barbacoa no se enciende, puede resultar en una llamarada explosiva, la cual puede causar lesiones corporales serias o la muerte.**

### SISTEMA DE ENCENDIDO CROSSOVER®

*Nota - El sistema de encendido Crossover® enciende el QUEMADOR 1 mediante una chispa del electrodo de encendido ubicado dentro de la cámara de encendido Gas Catcher™. Usted genera la energía para la chispa al pulsar el botón electrónico de encendido. Usted oír el chispear.*

- ⚠ **ADVERTENCIA: Inspeccione la manguera previo a cada uso del asador y asegúrese de que no tenga muescas, grietas, abrasiones o cortes. Si se encontrase que la manguera estuviese dañada de cualquier manera, no utilice la barbacoa. Reemplácela solamente con una manguera de repuesto autorizada por Weber®. Contacte al Representante de Atención al Cliente en su área utilizando la información de contacto en nuestro sitio web. Conéctese a [www.weber.com](http://www.weber.com)®.**

## ENCENDIDO DEL QUEMADOR PRINCIPAL

- A) Abra la tapa (1).
- B) Asegúrese de que todas las perillas de control de los quemadores estén en la posición OFF (apagadas) (2). (Presione la perilla de control y gírela en dirección de las agujas del reloj para asegurarse de que esté en la posición OFF (apagada).

**⚠ ADVERTENCIA: Las perillas de control de los quemadores deberán estar en la posición OFF (apagadas) antes de abrir la válvula del tanque de propano licuado. Si no están en la posición OFF cuando abra la válvula del tanque de propano licuado, el control de exceso de flujo se activará y limitará el flujo de gas desde el tanque de propano licuado. Si esto llegase a ocurrir, cierre la válvula del tanque de propano y las perillas de control de los quemadores. Empiece de nuevo.**

### ⚠ PELIGRO:

Cuando se activa el control de exceso de flujo, una pequeña cantidad de gas sigue fluyendo a los quemadores. Después de cerrar la válvula del tanque, espere por lo menos 5 minutos para que el gas se disipe antes de tratar de encender la barbacoa. El no hacer esto podría resultar en una llamarada explosiva que pudiera causar lesiones corporales serias o la muerte.

- C) Abra el suministro de gas del cilindro girando lentamente la válvula del cilindro en dirección contraria a las agujas del reloj (3).

**⚠ ADVERTENCIA: No se incline sobre la barbacoa abierta. Al encender la barbacoa, mantenga su cara y cuerpo alejados a por lo menos una distancia de un pie (30 cm) del orificio de encendido con cerillo.**

- D) Presione la perilla de control del QUEMADOR 1 y gírela hacia START/HI (encendido/alto) (4).
- E) Presione y mantenga presionado el botón de encendido electrónico. Lo oirá chisporrotear (5).
- F) Viendo a través del agujero de encendido con cerillo en la parte delantera de la caja de cocción, verifique si efectivamente se ha encendido el quemador. Deberá ver una llama (6).

**⚠ ADVERTENCIA: Si el quemador no se enciende en cinco (5) segundos, gire la perilla del control del Quemador 1 a la posición OFF (apagado) y espere 5 minutos para permitir que el gas se disipe antes de tratar de nuevo o de tratar de encenderlo con un cerillo.**

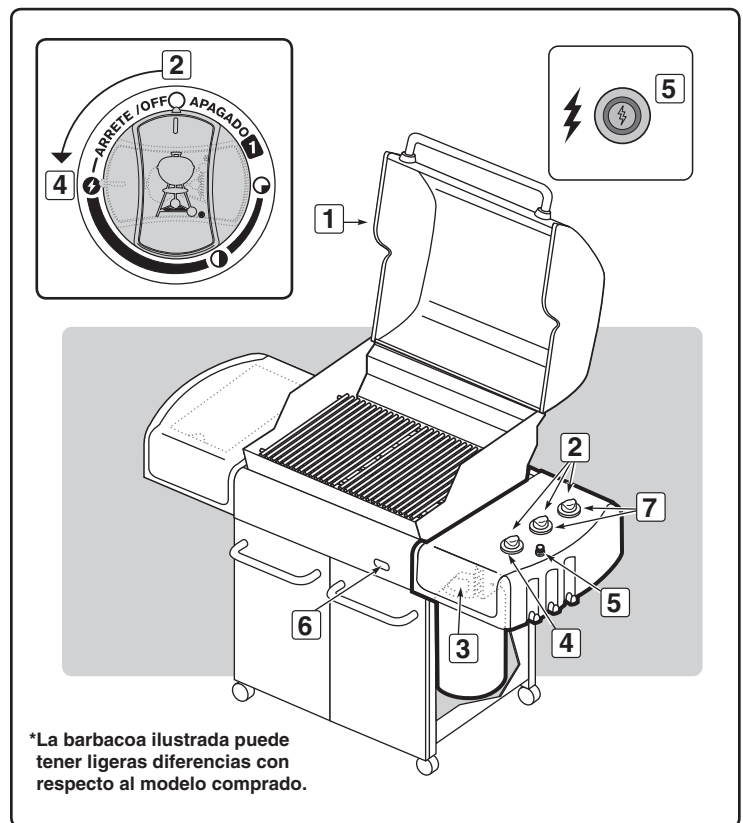
## ENCENDIDO MANUAL DEL QUEMADOR PRINCIPAL

### ⚠ PELIGRO

El no abrir la tapa mientras se esté encendiendo el quemador de la barbacoa, o no esperar 5 minutos para que el gas se disipe si la barbacoa no se enciende, puede resultar en una llamarada explosiva, la cual puede causar lesiones corporales serias o la muerte.

- A) Abra la tapa (1).
- B) Asegúrese de que todas las perillas de control de los quemadores estén en la posición OFF (apagado) (Presione cada perilla y gírela en dirección de las agujas del reloj para asegurarse de que estén cerradas en la posición "OFF") (2).

**⚠ ADVERTENCIA: Las perillas de control del quemador deberán estar en la posición OFF antes de abrir la válvula del tanque de propano licuado. Si no están en la posición OFF cuando abra la válvula del tanque de propano licuado, el control de exceso de flujo se activará y limitará el flujo de gas desde el tanque de propano licuado. Si esto llegase a ocurrir, cierre la válvula del tanque de propano líquido y las perillas de control de los quemadores. Empiece de nuevo.**

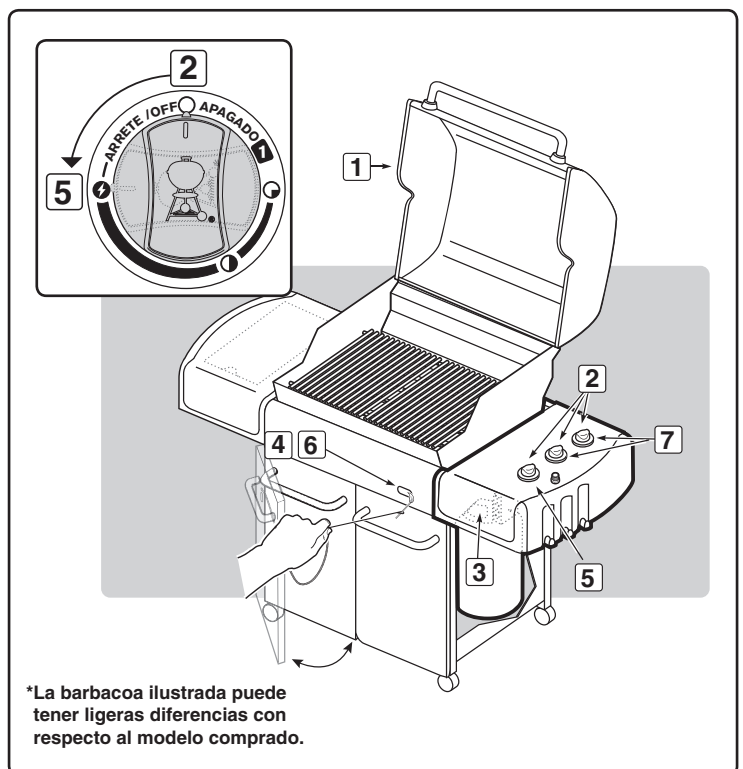


- G) Una vez que el QUEMADOR 1 se haya encendido puede encender el QUEMADOR 2 y el (QUEMADOR 3) (7).

*Nota - Siempre encienda el QUEMADOR 1 primero. Los demás quemadores se encenderán a partir del QUEMADOR 1.*

### PARA APAGAR

Presione la perilla de control de cada quemador y gírela en la dirección de las agujas del reloj a la posición OFF. Cierre el suministro de gas en la fuente del mismo.



# INSTRUCCIONES DE OPERACIÓN

## ⚠ PELIGRO

Cuando se activa el control de exceso de flujo, una pequeña cantidad de gas sigue fluyendo a los quemadores. Después de cerrar la válvula del tanque y las perillas de control de los quemadores, espere por lo menos 5 minutos para que el gas se disipe antes de tratar de encender la barbacoa. El no hacer esto podría resultar en una llamarada explosiva que pudiera causar lesiones corporales serias o la muerte.

- C) Abra el suministro de gas del cilindro girando la válvula del cilindro en dirección contraria a las agujas del reloj (3).
  - D) Inserte el portacerillos con el cerillo encendido en el orificio de encendido con cerillo en la parte delantera de la caja de cocción (4).
  - ⚠ **ADVERTENCIA: No se incline sobre la barbacoa abierto. Al encender la barbacoa, mantenga su cara y cuerpo alejados a por lo menos una distancia de un pie (30 cm) del orificio de encendido con cerillo.**
  - E) Presione la perilla de control del QUEMADOR 1 y gírela hacia START/HI (encendido/alto) (5).
  - F) Viendo a través del agujero de encendido con cerillo, verifique si efectivamente se ha encendido el quemador. Deberá ver una llama (6).
  - ⚠ **ADVERTENCIA: Si el quemador no se enciende en cinco segundos, gire la perilla del control del Quemador 1 a la posición OFF (apagado) y espere 5 minutos para permitir que el gas se disipe antes de tratar de nuevo.**
  - G) Una vez que el QUEMADOR 1 se haya encendido puede proceder con el QUEMADOR 2 y el (QUEMADOR 3) (7).
- Nota - Siempre encienda el QUEMADOR 1 primero. Los demás quemadores se encenderán a partir del QUEMADOR 1.*

## PARA APAGAR

Presione la perilla de control de cada quemador y gírela en la dirección de las agujas del reloj a la posición OFF. Cierre el suministro de gas en la fuente del mismo.

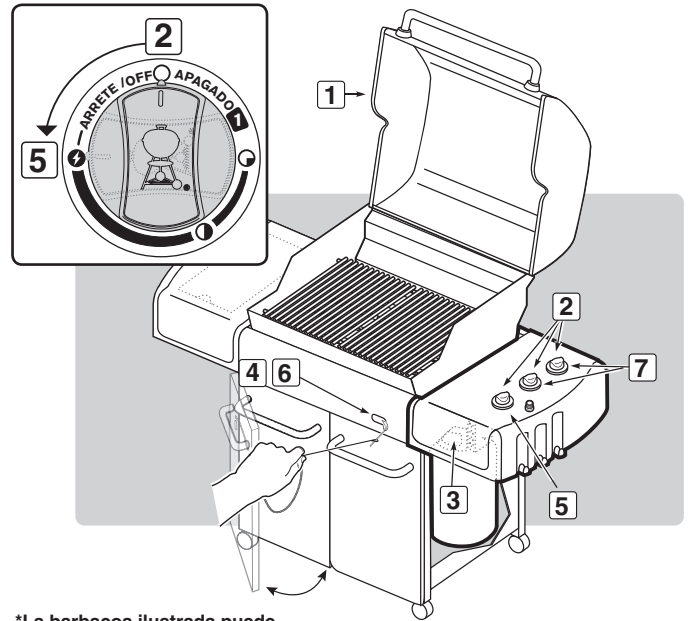
## CÓMO ENCENDER EL QUEMADOR LATERAL

### ⚠ PELIGRO

El no abrir la tapa mientras se esté encendiendo el quemador lateral, o no esperar 5 minutos para que el gas se disipe si el quemador lateral no se enciende, puede resultar en una llamarada explosiva, la cual puede causar lesiones corporales serias o la muerte.

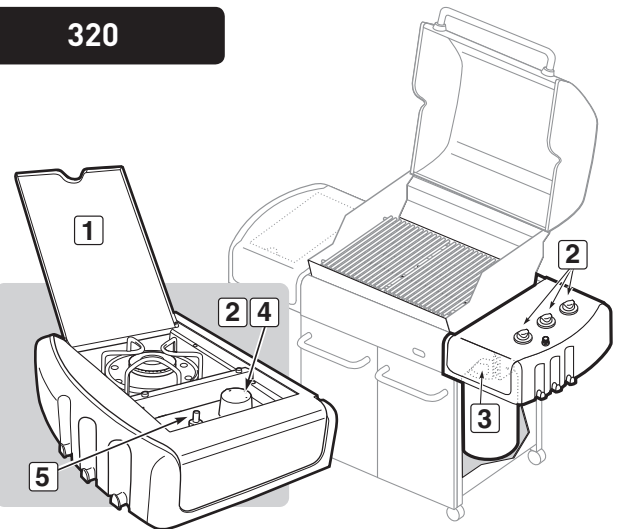
- ⚠ **ADVERTENCIA: Inspeccione la manguera previo a cada uso de la barbacoa y asegúrese de que no tenga muescas, grietas, abrasiones o cortes. Si se encontrase que la manguera estuviese dañada de cualquier manera, no utilice la barbacoa. Reemplácela solamente con una manguera de repuesto autorizada por Weber®. Contacte al Representante de Servicios al Cliente en su área utilizando la información de contacto en nuestro sitio web. Conéctese a [www.weber.com](http://www.weber.com)®.**

- A) Abra la tapa del quemador lateral (1).
- B) Verifique que la válvula del quemador lateral esté cerrada (2) (empuje la perilla de control hacia adentro y gírela en dirección de las agujas del reloj para asegurar de que esté en la posición "OFF"), coloque todos los quemadores que no se estén usando en la posición "OFF" (empujando hacia adentro y girando en la dirección de las agujas del reloj).
- ⚠ **ADVERTENCIA: Las perillas de control de los quemadores deberán estar en la posición OFF (apagadas) antes de abrir la válvula del tanque de propano licuado. Si no están en la posición OFF cuando abra la válvula del tanque de propano**



\*La barbacoa ilustrada puede tener ligeras diferencias con respecto al modelo comprado.

320



licuado, el control de exceso de flujo se activará y limitará el flujo de gas desde el tanque de propano licuado. Si esto llegase a ocurrir, cierre la válvula del tanque de propano y las perillas de control de los quemadores. Empiece de nuevo.

# INSTRUCCIONES DE OPERACIÓN

## ⚠ PELIGRO:

Cuando se activa el control de exceso de flujo, una pequeña cantidad de gas sigue fluyendo a los quemadores. Después de cerrar la válvula del tanque, espere por lo menos 5 minutos para que el gas se disipe antes de tratar de encender la barbacoa. El no hacer esto podría resultar en una llamarada explosiva que pudiera causar lesiones corporales serias o la muerte.

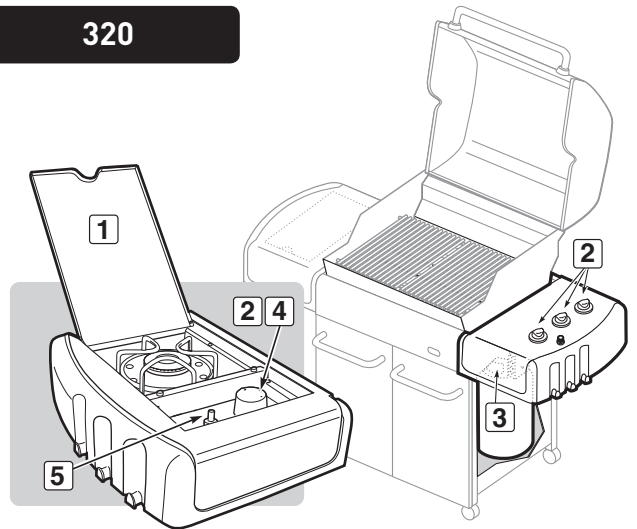
- C) Abra la válvula de suministro de gas (3).
- D) Presione y gire la válvula de control del quemador lateral a la posición "HI" (fuego alto) (4).
- E) Pulse el botón rojo de encendido varias veces, de manera que haga "clic" cada vez (5).

⚠ **PRECAUCIÓN:** En días soleados, la llama del quemador lateral puede ser difícil de ver.

⚠ **ADVERTENCIA:** Si el quemador lateral no se enciende en cinco (5) segundos:

- a) Cierre la válvula de control del quemador lateral, los quemadores principales y el suministro de gas en la fuente.
- b) Espere 5 minutos para permitir que el gas se disipe antes de volver a tratar de de nuevo, o tratar de encender con un cerillo (vea "Encendido manual del quemador lateral").

320



## ENCENDIDO MANUAL DEL QUEMADOR LATERAL

### ⚠ PELIGRO

El no abrir la tapa mientras se esté encendiendo el quemador lateral, o no esperar 5 minutos para que el gas se disipe si el quemador lateral no se enciende, puede resultar en una llamarada explosiva, la cual puede causar lesiones corporales serias o la muerte.

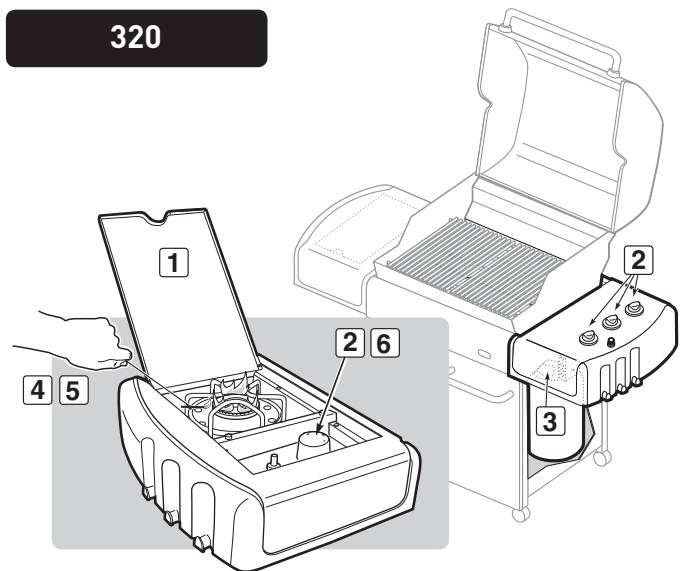
- A) Abra la tapa del quemador lateral (1).
- B) Verifique que la válvula del quemador lateral esté cerrada (2) (empuje la perilla de control hacia adentro y gírela en dirección de las agujas del reloj para asegurar de que esté en la posición "OFF"), coloque todos los quemadores que no se estén usando en la posición "OFF" (empujando hacia adentro y girando en la dirección de las agujas del reloj).

⚠ **ADVERTENCIA:** Las perillas de control de los quemadores deberán estar en la posición OFF (apagadas) antes de abrir la válvula del tanque de propano licuado. Si no están en la posición OFF cuando abra la válvula del tanque de propano licuado, el control de exceso de flujo se activará y limitará el flujo de gas desde el tanque de propano licuado. Si esto llegase a ocurrir, cierre la válvula del tanque de propano y las perillas de control de los quemadores. Empiece de nuevo.

### ⚠ PELIGRO:

Cuando se activa el control de exceso de flujo, una pequeña cantidad de gas sigue fluyendo a los quemadores. Después de cerrar la válvula del tanque, espere por lo menos 5 minutos para que el gas se disipe antes de tratar de encender la barbacoa. El no hacer esto podría resultar en una llamarada explosiva que pudiera causar lesiones corporales serias o la muerte.

320



- C) Abra la válvula de suministro de gas (3).
- D) Coloque un cerillo en el portacerillos y enciéndalo (4).
- E) Aguante el portacerillos y encienda con el cerillo cualquier lado del quemador lateral (5).
- F) Presione y gire la válvula de control del quemador lateral a la posición "HI" (fuego alto) (6).

⚠ **PRECAUCIÓN:** En días soleados, la llama del quemador lateral puede ser difícil de ver.

⚠ **ADVERTENCIA:** Si el quemador lateral no se enciende en cinco (5) segundos:

- a) Cierre la válvula de control del quemador lateral, los quemadores principales y el suministro de gas en la fuente.
- b) Antes de probar de nuevo, espere 5 minutos para dejar que el gas se disipe.

## RESOLUCIÓN DE PROBLEMAS

PROBLEMA	REVISAR	REMEDIO
Los quemadores queman con una llama amarilla o anaranjada, conjuntamente con un olor a gas.	Revise que no haya obstrucciones en las malla contra arañas e insectos. (Taponamiento de orificios.)	Limpie las mallas contra arañas e insectos. (Vea la sección: "Mantenimiento anual")
<b>Síntomas:</b> Los quemadores no se encienden. -o- Los quemadores presentan una llama pequeña y parpadeante en la posición "HI" (fuego alto). -o- La temperatura de la barbacoa no pasa más allá de 250° a 300° en la posición "HI".	Puede haberse activado el dispositivo de seguridad de caudal excesivo, el cual es parte de la conexión de la barbacoa al cilindro.	Para restablecer el dispositivo de seguridad de caudal excesivo cierre todas las perillas de control de los quemadores y cierre la válvula del cilindro. Desconecte el regulador del cilindro. Gire las perillas de control de los quemadores a la posición "HI". Espere por lo menos 1 minuto. Gire las perillas de control de los quemadores a la posición "OFF" (apagadas). Vuelva a conectar el regulador del cilindro. Lentamente abra la válvula del cilindro. Consulte las "Instrucciones de encendido".
El quemador no enciende, o la llama se mantiene baja en la posición "HI".	¿Está el tanque de propano licuado vacío o bajo de combustible?	Llene el tanque de propano licuado.
	¿Está doblada la manguera de combustible?	Enderece la manguera de combustible.
	¿Se enciende el Quemador 1 con un cerillo?	Si usted puede encender el Quemador 1 con un cerillo, entonces revise el sistema de encendido Crossover®.
Se producen llamaradas:	¿Está precalentando la barbacoa de la manera prescrita?	Coloque a todos los quemadores en HI (fuego alto) durante 10 a 15 minutos para precalentar la barbacoa.
	¿Están las parrillas de cocción y las barras Flavorizer® recubiertas con una capa gruesa de grasa quemada?	Límpielas a fondo. (Vea la sección "Limpieza.")
	¿Está la bandeja del fondo "sucia" y no deja que la grasa fluya al plato recolector?	Limpie la bandeja del fondo
<b>⚠ PRECAUCIÓN: No forre la bandeja del fondo con hoja de aluminio.</b>		
El quemador produce llamas con un patrón errático. La llama se mantiene baja cuando el quemador está en "HI" (fuego alto). Las llamas no corren a lo largo de todo el tubo del quemador.	¿Están limpios los quemadores?	Limpie los quemadores. (Vea la sección de "Mantenimiento.")
La parte interna de la tapa pareciera estar "pelándose". (Se parece al desprendimiento de pintura.)	La tapa está porcelanizada o es de acero inoxidable y no está pintada. No puede "pelarse". Lo que está viendo es grasa asada que se ha convertido en carbón y se está descascarando. <b>ESTO NO ES UN DEFECTO.</b>	Límpielas a fondo. (Vea la sección "Limpieza.")
Las puertas del gabinete no están alineadas.	Revise el perno de ajuste en la parte inferior de cada puerta.	Afloje la(s) tuerca(s) de ajuste. Deslice la(s) puerta(s) hasta quedar alineada(s). Apriete la tuerca.
Si los problemas no pueden corregirse usando cualquiera de estos métodos, por favor contacte al Representante de Atención al Cliente en su área usando la información de contacto en nuestro sitio web. Conéctese a <a href="http://www.weber.com">www.weber.com</a> ®.		

## RESOLUCIÓN DE PROBLEMAS DEL QUEMADOR LATERAL

PROBLEMA	REVISAR	REMEDIO
El quemador lateral no se enciende	¿Está cerrado el suministro de gas?  Puede haberse activado el dispositivo de seguridad de caudal excesivo, el cual es parte de la conexión de la barbacoa al cilindro.	Abra el suministro de gas.  Para restablecer el dispositivo de seguridad de caudal excesivo cierre todas las perillas de control de los quemadores y la válvula del cilindro. Desconecte el regulador del cilindro. Gire la perilla de control a la posición START/HI (Encendido/ Fuego alto). Espere por lo menos 1 minuto. Gire las perillas de control a la posición "OFF". Vuelva a conectar el regulador del cilindro. Lentamente abra la válvula del cilindro. Consulte las "Instrucciones de encendido".
La llama se mantiene baja en la posición "HI" (fuego alto).	¿Está doblada la manguera de combustible?	Enderece la manguera.
El botón de encendido no funciona.	¿Se enciende el quemador con un cerillo?	Si el quemador se enciende con un cerillo, revise el encendedor (ver "Mantenimiento del quemador lateral").
Si los problemas no pueden corregirse usando cualquiera de estos métodos, por favor contacte al Representante de Atención al Cliente en su área usando la información de contacto en nuestro sitio web. Conéctese a <a href="http://www.weber.com">www.weber.com</a> ®.		

## MANTENIMIENTO DEL QUEMADOR LATERAL

### MANTENIMIENTO DEL QUEMADOR LATERAL

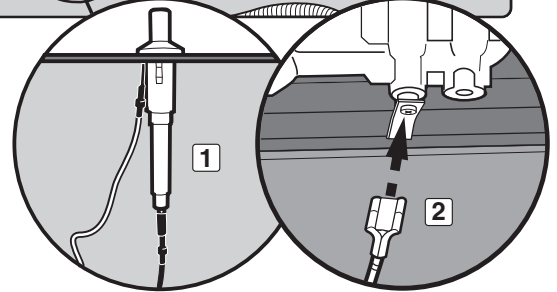
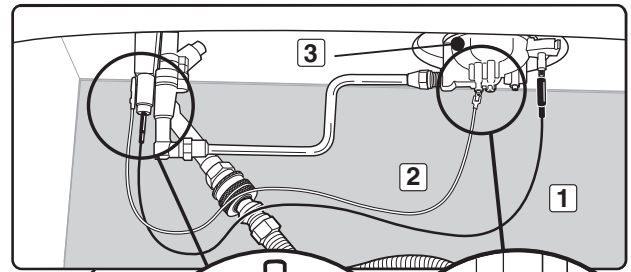
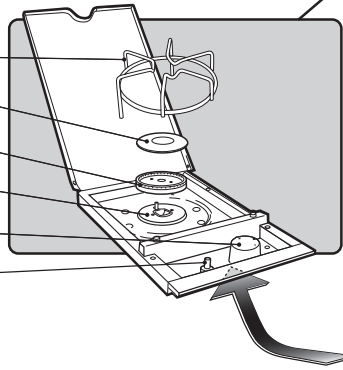
**⚠ ADVERTENCIA:** Todos los controles y válvulas de suministro de gas deberán estar cerrados en la posición "OFF".

Asegúrese de que el cable negro esté conectado entre el encendedor y el electrodo. Asegúrese de que el cable blanco esté conectado entre el encendedor y el clip de conexión a tierra.

La chispa deberá ser de color blanco/azul, no amarilla.

- A) Cable de encendido (1)
- B) Cable de conexión a tierra (2)
- C) Quemador (3)

Parilla del quemador lateral  
Tapa del quemador lateral  
Aro y cabezal del quemador lateral  
Electrodo de encendido  
Perilla de control  
Encendedor



## MANTENIMIENTO

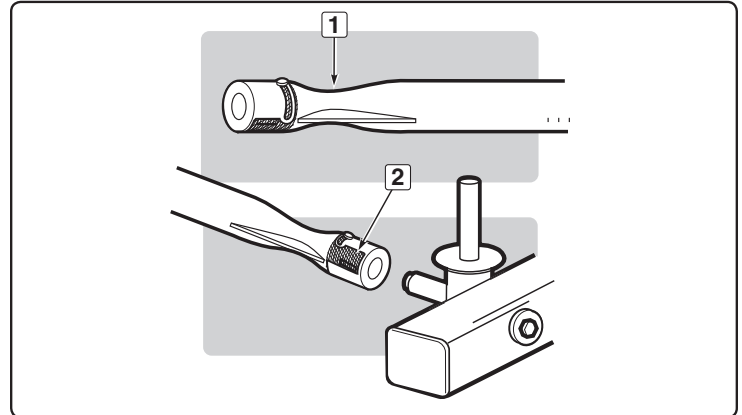
### MALLAS WEBER® CONTRA ARAÑAS E INSECTOS

La barbacoa de gas Weber®, al igual que cualquier otro aparato de gas al aire libre, es un blanco para las arañas y demás insectos. Pueden crear sus nidos en la sección del venturí (1) del tubo quemador. Esto bloquea el flujo normal de gas, y puede causar que el gas fluya hacia atrás por la válvula de aire de combustión. Esto puede resultar en un fuego en y alrededor de las aberturas para el aire de combustión, causando un daño serio a la barbacoa.

La compuerta de cierre del aire del tubo quemador está equipada con una malla (2) de acero inoxidable para prevenir la entrada de arañas e insectos a los tubos quemadores a través de las aberturas para el aire de combustión.

**Le recomendamos que inspeccione las mallas contra arañas e insectos por lo menos una vez al año. (Vea la sección: "Mantenimiento anual") También, inspeccione y limpie dichas mallas si cualquiera de los siguientes síntomas se presentase:**

- A) Olor a gas en conjunción con llamas del quemador con un apariencia muy amarilla y floja.
- B) La barbacoa no alcanza la temperatura de funcionamiento.
- C) La barbacoa se calienta de manera dispareja.
- D) Uno o más quemadores no se encienden.



**⚠ PELIGRO**

**El no corregir estos síntomas pudiera resultar en un fuego que puede causar lesiones corporales serias o la muerte y daños a la propiedad.**

## MANTENIMIENTO ANUAL

### INSPECCIÓN Y LIMPIEZA DE LA MALLA CONTRA ARAÑAS Y DEMÁS INSECTOS

Para inspeccionar la malla contra arañas y demás insectos, retire el panel de control. Si hubiese polvo o sucio sobre las mallas, retire los quemadores para limpiar las mallas. Con un cepillo de cerdas suaves (p.ej.: un cepillo de dientes viejo), cepille suavemente las malla contra arañas y demás insectos.

**⚠ PRECAUCIÓN: No limpie las mallas contra arañas y demás insectos con herramientas duras o afiladas. No las desmonte ni agrande los orificios de las mismas.**

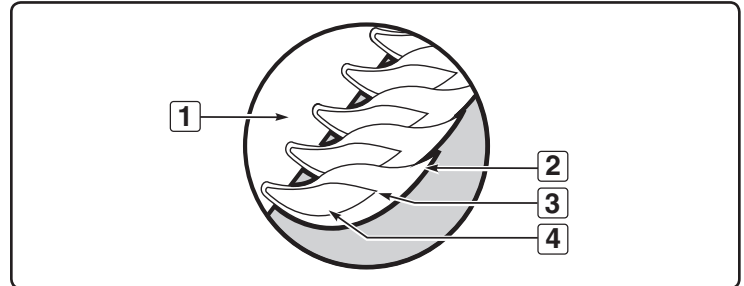
Golpee ligeramente el quemador para sacar la basura y suciedad fuera del tubo quemador. Una vez limpios, vuelva a colocar las mallas y quemadores en su sitio. Si la malla contra arañas y demás insectos se dañase o no pudiese limpiarse, por favor póngase en contacto con el Representante de Servicios al Cliente de su zona, cuya datos de contacto encontrará en nuestro sitio en la Internet. Conéctese a [www.weber.com](http://www.weber.com).

### PATRÓN DE LA LLAMA DEL QUEMADOR

Los quemadores de la barbacoa de gas Weber® han sido ajustados en la fabrica para que les entre la mezcla correcta de aire y gas. Acá se muestra el patrón correcto de la llama.

- A) Tubo quemador (1)
- B) Las puntas ocasionalmente titilarán con un color amarillo (2)
- C) Azul claro (3)
- D) Azul oscuro (4)

Si las llamas no se presentan de manera uniforme a lo largo del tubo quemador, siga las instrucciones de limpieza del quemador.



### PROCEDIMIENTO PARA LA LIMPIEZA DEL QUEMADOR PRINCIPAL

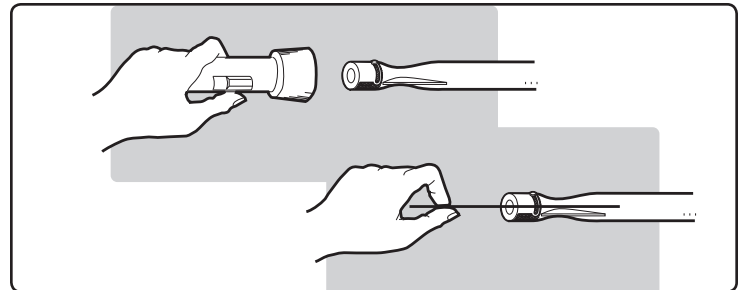
#### CIERRE EL SUMINISTRO DE GAS.

Retire el múltiple (vea "Reemplace los quemadores principales").

Revise la parte interna de cada quemador con una linterna.

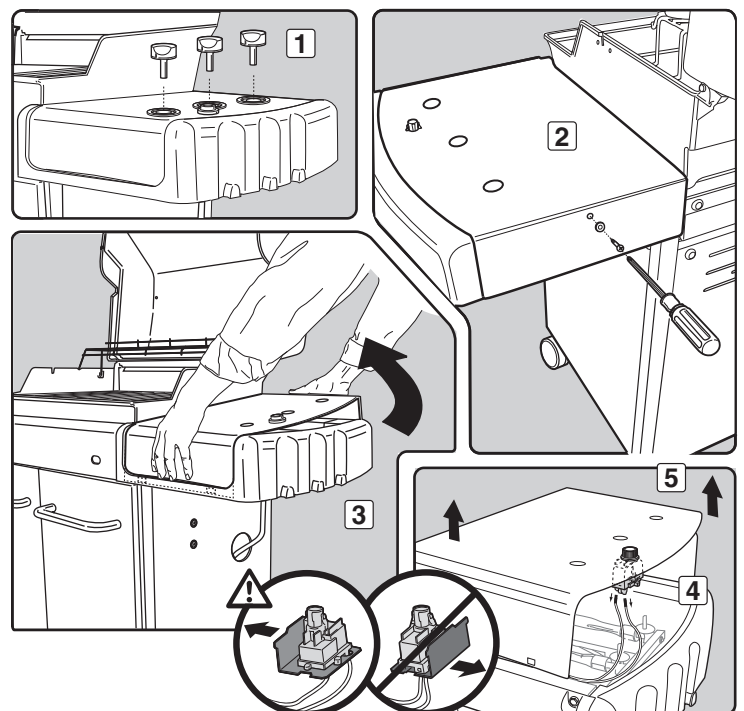
Limpie la parte interna de los quemadores con un alambre (un colgador de ropa enderezado funcionará bien). Revise y limpie la abertura de las compuertas de cierre del aire en los extremos de los quemadores. Revise y limpie los orificios de las válvulas en la base de las válvulas. Utilice un cepillo de cerdas de acero para limpiar la parte externa de los quemadores. Esto se hace para asegurarse de que las aberturas de los quemadores estén completamente abiertas.

**⚠ PRECAUCIÓN: Al limpiar, no agrande las aberturas del quemador.**

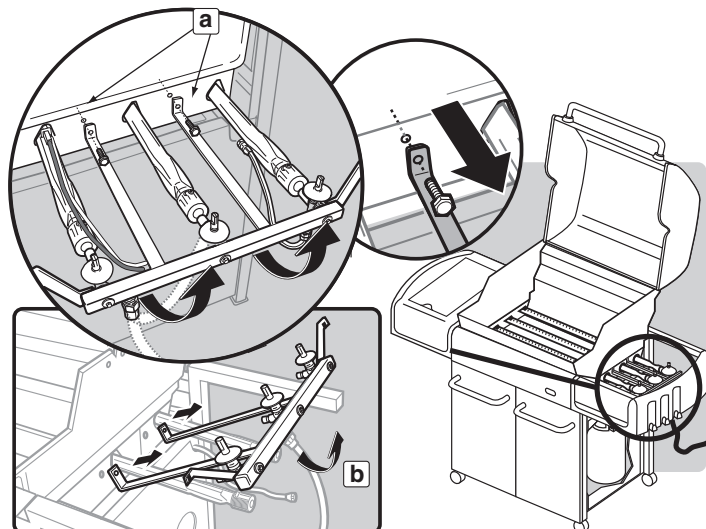


### REEMPLAZO DE LOS QUEMADORES PRINCIPALES

- A) Su barbacoa de gas Weber® debe estar APAGADA y enfriada.
- B) CIERRE el gas en la fuente.
- C) Para sacar el panel de control:
  - (a) Saque las perillas de control de los quemadores (1).
  - (b) Saque el tornillo y la arandela de la parte trasera del panel de control con un destornillador Phillips (2).
  - (c) Inclíne el borde trasero del panel de control hacia arriba. Presione sobre el borde delantero para liberar las lengüetas de sujeción (3).
  - (d) Desconecte los cables de encendido del módulo de encendido (4).
  - (e) Con cuidado hale el panel de control del bastidor (5).



- D) Retire los dos tornillos roscados hexagonales de 7/16" (a) que fijan la ménsula de soporte del múltiple a la caja de cocción. Hale el múltiple y el ensamble de la válvula hacia usted, y a la vez alce el ensamble del múltiple hacia arriba para liberar las ménsulas del múltiple del ensamble del bastidor (b).

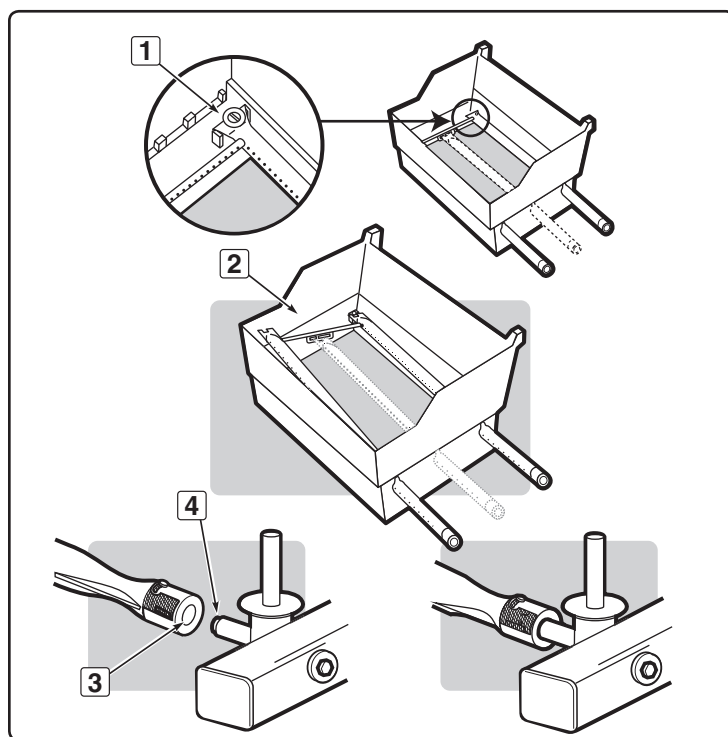


- E) Deslice hacia afuera el ensamble del quemador desde debajo del tornillo y arandela guías (1) en las esquinas de la caja de cocción.  
 F) Levante y gire levemente el ensamble del quemador, para separar el tubo Crossover (2) de los quemadores de la caja de cocción.  
 G) Para reinstalar los quemadores, siga en reverso los pasos C) al F).

**⚠ PRECAUCIÓN: Las aberturas de los quemadores (3) deberán posicionarse correctamente sobre los orificios de las válvulas (4).**

Antes de atornillar el múltiple en su sitio, verifique que esté correctamente ensamblado.

**⚠ ADVERTENCIA: Después de reinstalar las líneas de gas y antes de usar el asador, deberá verificarse que no haya fugas usando una solución de agua y jabón. (Vea el paso: "Verificación de que no existen fugas de gas")**



## OPERACIÓN DEL SISTEMA DE ENCENDIDO CROSSOVER®

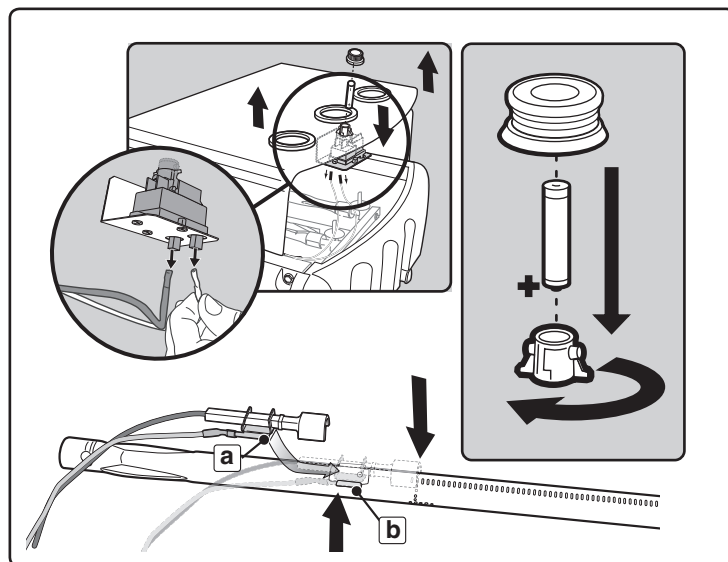
Si el sistema de encendido Crossover® no logra encender el QUEMADOR 1, enciéndalo con un cerillo. Si el QUEMADOR 1 se enciende con un cerillo, entonces revise el sistema de encendido.

- Verifique que ambos cables de encendido estén correctamente conectados al módulo de encendido.
- Verifique que el cable de encendido esté correctamente conectado al encendedor cerámico.
- Verifique que el conjunto del encendedor cerámico (a) esté puesto completamente en su sitio dentro del canal de encendido (b) del tubo quemador 1.
- Verifique que el encendedor cerámico esté colocado en sitio sobre los agujeros del QUEMADOR 1.
- Verifique que el Botón de Encendido Electrónico esté funcionando viendo y escuchando si se producen chispas en el QUEMADOR 1.

## REEMPLACE LA BATERÍA SI FUESE NECESARIO.

Use solamente baterías alcalinas AAA. Vea la ilustración:

Si aún no logra encender con el sistema de encendido, contacte al Representante de Servicio a los Clientes en su región usando la información de contacto en nuestro sitio en la Internet. Conéctese a [www.weber.com](http://www.weber.com).





# GENESIS®



## GRILL A GAZ

Mode d'emploi du grill à gaz PL

310/320

#89478



**VOUS DEVEZ LIRE CE MODE D'EMPLOI AVANT D'UTILISER VOTRE GRILL A GAZ.**

**⚠ DANGER**

S'il y a une odeur de gaz :

1. Coupez l'admission de gaz de l'appareil.
2. Éteindre toute flamme nue.
3. Ouvrir le couvercle.
4. Si l'odeur persiste, éloignez-vous de l'appareil et appelez immédiatement le fournisseur de gaz ou le service d'incendie.

Une fuite de gaz risque de provoquer un incendie ou une explosion susceptible d'occasionner des blessures graves, voire mortelles, ou des dégâts matériels.

**⚠ AVERTISSEMENT :**

1. Ne pas entreposer ni utiliser de l'essence ni d'autres vapeurs ou liquides inflammables dans le voisinage de l'appareil, ni de tout autre appareil.
2. Une bouteille de propane qui n'est pas raccordée en vue de son utilisation, ne doit pas être entreposée dans le voisinage de cet appareil ou de tout autre appareil.

**⚠ MISE EN GARDE :** Suivez toutes les procédures de détection des fuites de ce manuel avec soin avant d'utiliser le barbecue. Faites-le même si le barbecue a été assemblé par le revendeur.

**NOTE A L'INTENTION DE L'INSTALLATEUR :** Les présentes instructions doivent être remises au propriétaire et le propriétaire devrait les conserver pour les utiliser plus tard.

**CET APPAREIL A GAZ EST CONÇU POUR UNE UTILISATION EN EXTERIEUR UNIQUEMENT.**

**⚠ MISE EN GARDE :** N'essayez pas d'allumer cet appareil sans lire la section des "Instructions pour l'allumage" de ce manuel.



89478 FC

## MISES EN GARDE

### ⚠ DANGER

Le non respect des consignes intitulées Danger, Mise en garde et Attention contenues dans le présent Mode d'emploi peut entraîner une blessure grave ou la mort, ou un incendie ou une explosion provoquant des dommages à la propriété.

### ⚠ MISES EN GARDE

- ⚠ Ne stockez pas de bouteille de gaz propane liquide de rechange ou de bouteille de gaz propane liquide débranchée au-dessous ou à proximité de ce barbecue.
- ⚠ Un mauvais montage peut se révéler dangereux. Veuillez suivre les instructions de montage avec soin.
- ⚠ Après une période de stockage et/ou d'inutilisation, le barbecue à gaz Weber® devrait faire l'objet d'une vérification visant à détecter toute fuite et toute obstruction des brûleurs avant toute utilisation. Voir les instructions de ce manuel pour les procédures correctes.
- ⚠ N'utilisez pas le barbecue à gaz Weber® en cas de fuite.
- ⚠ N'utilisez pas de flamme pour détecter les fuites de gaz.
- ⚠ Aucune matière inflammable ne devrait jamais se trouver dans un rayon de 24 pouces par rapport à l'arrière ou aux côtés de votre barbecue à gaz Weber®.
- ⚠ Ne placez pas de bâche de protection de barbecue ni aucune matière inflammable sur la barbecue ou dans la zone de stockage au-dessous du barbecue.
- ⚠ Votre barbecue à gaz Weber® ne devrait jamais être utilisé par des enfants. Les pièces accessibles du barbecue peuvent atteindre une température très élevée. Maintenez les jeunes enfants à l'écart pendant son utilisation.
- ⚠ Vous devriez faire preuve d'une prudence raisonnable lorsque vous utilisez votre barbecue à gaz Weber®. Celui-ci sera très chaud pendant la cuisson ou le nettoyage et ne devrait jamais être laissé sans surveillance ni déplacé pendant son utilisation.
- ⚠ Si les brûleurs s'éteignent pendant l'utilisation, fermez toutes les valves de gaz. Ouvrez le couvercle puis patientez cinq minutes avant d'essayer de rallumer les brûleurs, en utilisant les instructions pour l'allumage.
- ⚠ N'utilisez pas de charbon de bois ni de pierres de lave dans votre barbecue à gaz Weber®.
- ⚠ Ne vous penchez jamais au-dessus du grill ouvert ou ne placez jamais les mains ou les doigts sur l'extrémité avant du boîtier de cuisson.
- ⚠ Si un feu de graisse se produisait, fermez tous les brûleurs et laissez le couvercle fermé jusqu'à ce que le feu s'éteigne.
- ⚠ N'élargissez pas les orifices des valves ou les ports des brûleurs lorsque vous nettoyez les valves ou les brûleurs.
- ⚠ Le barbecue à gaz Weber® devrait être nettoyé méticuleusement de façon régulière.
- ⚠ Le gaz propane liquide n'est pas du gaz naturel. La conversion ou la tentative d'utilisation de gaz naturel dans un appareil à propane liquide ou de gaz propane liquide dans un appareil à gaz naturel est dangereuse et annulera votre garantie.
- ⚠ Utilisez des gants pour barbecue résistants à la chaleur lorsque vous utilisez le barbecue.
- ⚠ Maintenez tout cordon électrique d'alimentation ainsi que le tuyau d'alimentation en combustible à l'écart de toute surface chauffée.
- ⚠ Les dérivés de combustion générés lors de l'utilisation de ce produit contiennent des agents chimiques reconnus par l'Etat de Californie comme provoquant des cancers, des anomalies congénitales ou d'autres troubles de la reproduction.
- ⚠ N'utilisez ce barbecue que si toutes les pièces sont en place. Cet appareil doit être correctement assemblé conformément aux instructions de montage.
- ⚠ N'intégrez pas ce modèle de grill à n'importe quelle construction encastrée ou à glissière. Le non respect de cet Avertissement risque de provoquer un incendie ou une explosion susceptible de provoquer des dégâts matériels ainsi que des blessures graves voire un décès.

### APPAREILS A GAZ PROPANE UNIQUEMENT:

- ⚠ Utilisez l'ensemble régulateur de pression et tuyau fourni avec votre barbecue à gaz Weber®.
- ⚠ Ne tentez pas de déconnecter l'ensemble régulateur et tuyau de gaz ni tout autre raccord de gaz pendant que vous utilisez votre barbecue.
- ⚠ L'utilisation d'une bouteille de gaz propane liquide comportant une bosse ou d'une bouteille rouillée peut être dangereuse et une telle bouteille devrait être vérifiée par votre fournisseur de propane. N'utilisez pas une bouteille de propane liquide dont la valve est détériorée.
- ⚠ Bien que votre bouteille de propane liquide puisse sembler vide, il est possible qu'elle contienne encore du gaz, et la bouteille devrait être transportée et stockée en conséquence.
- ⚠ Si vous voyez, sentez ou entendez du gaz s'échapper de la bouteille de propane liquide:
  1. Eloignez-vous de la bouteille de propane liquide.
  2. Ne tentez pas de corriger le problème vous-même.
  3. Appelez votre service incendie.

Votre barbecue à gaz Weber® est un appareil de cuisson d'extérieur portatif. Avec ce barbecue à gaz Weber® vous pouvez griller, cuire au barbecue, rôtir et cuire avec des résultats difficilement reproductibles en utilisant des appareils de cuisine d'intérieur. Le couvercle fermé et les Barres Flavorizer® donnent aux aliments une "saveur d'extérieur" particulière.

Ce barbecue à gaz Weber® est portatif de sorte que vous puissiez facilement changer son emplacement dans votre cour ou dans votre patio. La transportabilité signifie que vous pouvez emmener votre barbecue à gaz Weber® avec vous lors de vos déplacements.

L'arrivée de gaz Propane liquide (PL) est facile à utiliser et vous donne davantage de contrôle sur la cuisson que si vous utilisiez du charbon de bois.

- Les présentes instructions vous fourniront les exigences minimales pour le montage de votre barbecue à gaz Weber®. Veuillez lire les consignes avec attention avant d'utiliser votre barbecue à gaz Weber®. Un montage incorrect peut se révéler dangereux.
- Ne convient pas à une utilisation par des enfants.
- S'il existe des codes régionaux s'appliquant aux grills à gaz portatifs, vous devrez les respecter. L'installation doit être conforme aux codes régionaux ou, en l'absence de tels codes, avec le Code national relatif aux gaz combustibles, ANSI Z223.1/NFPA 54, le Code relatif aux installations de gaz naturel et de gaz propane, CSA B149.1, ou le Code relatif au stockage et à la manipulation du propane, B149.2, ou à la Norme relative aux véhicules de loisirs, ANSI A 119.2/NFPA 1192, et les Séries CSA Z240 RV, Code relatif aux véhicules de loisirs, le cas échéant.
- Vous devez utiliser le régulateur de pression fourni avec le barbecue à gaz Weber®. Ce régulateur est paramétré pour une colonne d'eau de 11 pouces (pression).
- Ce barbecue à gaz Weber® est conçu pour une utilisation avec du gaz propane liquide (PL) uniquement. Ne l'utilisez pas avec du gaz naturel (gaz de ville). Les valves, les orifices, le tuyau et le régulateur sont adaptés au gaz PL uniquement. N'utilisez pas ce barbecue avec du charbon de bois.
- Vérifiez que la zone située au-dessous du panneau de commande et le plateau inférieur ne comportent aucun résidu susceptible de faire obstacle à la circulation de l'air nécessaire à la combustion ou à la ventilation.
- Les zones à proximité de la bouteille de PL doivent être dégagées et ne doivent comporter aucun débris.
- Les régulateurs de pression et les ensembles de tuyaux de recharge doivent être ceux spécifiés par Weber-Stephen Products Co.

## POUR UNE INSTALLATION AU CANADA

Les présentes instructions, bien que généralement acceptables, ne sont pas nécessairement conformes aux Codes d'installation du Canada, en particulier en ce qui concerne les canalisations au-dessus du sol et les canalisations souterraines. Au Canada, l'installation de cet appareil doit être conforme aux codes régionaux et/ou à la Norme CSA-B149.2 (Code relatif au stockage et à la manipulation de propane).

## UTILISATION

- ⚠ **MISE EN GARDE : Utilisez ce barbecue uniquement en extérieur dans une zone bien ventilée. Ne l'utilisez pas dans un garage, un bâtiment, un passage couvert ou toute autre zone confinée.**
- ⚠ **MISE EN GARDE : Maintenez les ouvertures de ventilation de l'enclos de la bouteille de gaz dégagées et libre de tout débris.**

## CUISSON

- ⚠ **MISE EN GARDE : Ne déplacez pas le barbecue à gaz Weber® pendant son utilisation ou lorsque celui-ci est encore à haute température.**

Vous pouvez ajuster le BRULEUR 1, 2, et 3 comme vous le souhaitez. Les réglages des commandes : High (H), Medium (M), Low (L), ou Off (O) sont décrits dans votre livre de recettes Weber®. Le livre de recettes utilise ces notations pour décrire les réglages du BRULEUR 1, 2, et 3. Par exemple, pour saisir des steaks, vous régleriez tous les brûleurs sur H (élevé). Puis pour terminer la cuisson, vous régleriez le BRULEUR 1 et le BRULEUR 3 sur M (moyen). Veuillez vous reporter à votre livre de recettes Weber® pour des instructions de cuisson détaillées.

*Remarque : La température à l'intérieur de votre boîtier de cuisson pendant les premières utilisations, pendant que les surfaces sont toujours très réfléchissantes, peut être supérieure à celles indiquées dans votre livre de recettes. Les conditions de cuisson, comme le vent et les conditions météorologiques, peuvent nécessiter l'ajustement des commandes du brûleur pour obtenir les températures de cuisson correctes.*

**Préchauffage** - Votre barbecue à gaz Weber® est un appareil qui utilise l'énergie de manière efficace. Il fonctionne à une puissance nominale faible en BTU et économique. Pour préchauffer : Après l'allumage, fermez le couvercle et positionnez tous les brûleurs sur élevé (H). Il faudra entre 10 et 15 minutes pour un préchauffage entre 500° et 550° F (260° et 290° C) en fonction de facteurs comme la température ambiante et le vent.

- ⚠ **MISE EN GARDE : Vous ne devez pas utiliser votre barbecue à gaz Weber® au-dessous d'une structure inflammable.**
- ⚠ **MISE EN GARDE : Votre barbecue à gaz Weber® n'est pas conçu pour être installé à l'intérieur ou au-dessus de véhicules de loisirs et/ou de bateaux.**
- ⚠ **MISE EN GARDE : N'utilisez pas le barbecue dans un rayon de 24 pouces de toute matière inflammable par rapport à l'arrière ou aux côtés du grill.**
- ⚠ **MISE EN GARDE : La totalité du boîtier de cuisson atteint une température élevée pendant la cuisson. Ne laissez pas le grill sans surveillance.**
- ⚠ **MISE EN GARDE : Maintenez tout cordon d'alimentation électrique ainsi que le tuyau d'alimentation en combustible à l'écart de toute surface chauffée.**
- ⚠ **MISE EN GARDE : Maintenez la zone de cuisson dégagée de toute vapeur ou de tout liquide inflammable comme de l'essence, de l'alcool, etc., et de toute matière inflammable.**
- ⚠ **MISE EN GARDE : Ne stockez jamais une bouteille de PL supplémentaire (de recharge) au-dessous ou à proximité du barbecue à gaz Weber®.**
- ⚠ **MISE EN GARDE : La bouteille de PL utilisée avec votre barbecue doit être équipée d'un dispositif de prévention du surremplissage homologué OPD (Overfilling Prevention Device) et d'un raccord QCC1 ou de Type 1 (CGA810). Le raccord de la bouteille de gaz doit être compatible avec le raccord du barbecue.**

## STOCKAGE ET/OU INUTILISATION

- Le gaz doit être fermé au niveau de la bouteille de propane liquide lorsque vous n'utilisez pas le barbecue à gaz Weber®.
- Lorsque le barbecue à gaz Weber® est stocké en extérieur, l'arrivée de gaz doit être DECONNECTEE et la bouteille de gaz PL stockée en extérieur dans une zone bien ventilée.
- La bouteille de PL doit être stockée en extérieur dans une zone bien ventilée hors de portée des enfants. La bouteille de PL débranchée ne doit pas être stockée dans un bâtiment, dans un garage ni dans toute autre zone confinée.
- Lorsque la bouteille de PL n'est pas débranchée du barbecue à gaz Weber®, l'appareil et la bouteille de PL doivent être stockés en extérieur dans un espace bien ventilé.
- Le barbecue à gaz Weber® devrait faire l'objet d'une inspection visant à détecter toute fuite ainsi que tout obstacle présent dans les tubes du brûleur avant toute utilisation. (Voir la Section: "Maintenance/Maintenance annuelle").
- Vérifiez que les zones situées sous le panneau de commande et le plateau inférieur amovible ne comportent pas de résidus susceptibles de faire obstacle à la circulation de l'air de combustion ou de ventilation.
- Les Grilles anti araignées/insectes devraient aussi faire l'objet d'un contrôle afin de détecter toute obstruction. (Voir la Section: "Maintenance/Maintenance annuelle").

**Jus de viande et graisse** - Les barres Flavorizer® sont conçues pour "faire fumer" la quantité correcte de jus de viande pour une cuisson savoureuse. Les jus de viande et la graisse en excès s'accumulent dans l'égouttoir au-dessous du plateau inférieur amovible. Nous proposons des plats en aluminium jetables qui s'adaptent à l'égouttoir.

- ⚠ **MISE EN GARDE : vérifiez le niveau de graisse accumulée sur le plateau inférieur avant chaque utilisation. Retirez l'excès de graisse pour éviter un feu de graisse dans le plateau inférieur amovible.**

## NETTOYAGE

- ⚠ **MISE EN GARDE : Fermez votre barbecue à gaz Weber® et attendez que celui-ci ait refroidi avant de le nettoyer.**
- ⚠ **ATTENTION : Ne nettoyez pas vos barres Flavorizer® ou vos grilles de cuisson dans un four auto-nettoyant.**

Pour connaître la disponibilité des grilles de cuisson et des barres Flavorizer® de recharge, veuillez entrer en contact avec le Représentant du Service clientèle de votre région grâce aux coordonnées à votre disposition sur notre site Internet. Connectez-vous sur [www.weber.com](http://www.weber.com)

**Surfaces externes** - Utilisez une solution d'eau savonneuse chaude pour le nettoyage, ensuite rincez à l'eau.

## GENERALITES

**⚠ ATTENTION : N'utilisez pas de nettoyant pour four, de détergents abrasifs (détergents de cuisine), de détergents contenant des agrumes, ni des tampons de nettoyage abrasifs sur les surfaces du barbecue ou du chariot.**

**Sortez le plateau amovible en le faisant glisser** - Retirez la graisse en excès, puis lavez à l'eau savonneuse chaude, avant de rincer.

**Barres Flavorizer® et grilles de cuisson** - Nettoyez-les avec une brosse en acier inoxydable adaptée. Si nécessaire, retirez-les du grill et lavez-les à l'eau savonneuse chaude, puis rincez-les à l'eau.

**Egouttoir** - Nous proposons des plats en aluminium jetables, ou vous pouvez recouvrir l'égouttoir de papier aluminium. Pour nettoyer l'égouttoir, lavez-le à l'eau savonneuse chaude, puis rincez-le.

**Thermomètre** - Essuyez-le avec de l'eau savonneuse chaude ; nettoyez-le avec une balle de plastique à récurer.

**Intérieur du module de cuisson** - Retirez tout débris en le brossant vers l'extérieur des tubes du brûleur. **N'ELARGISSEZ PAS LES PORTS (OUVERTURES)**. Lavez l'intérieur du boîtier de cuisson à l'eau savonneuse chaude puis rincez à l'eau.

**Intérieur du couvercle** - Lorsque le couvercle est encore chaud, essuyez l'intérieur avec une serviette en papier pour empêcher toute accumulation de graisse. Les éclats de graisse accumulés ressemblent à des éclats de peinture.

**Surfaces en acier inoxydable** - Lavez les surfaces avec un chiffon doux et une solution d'eau savonneuse. Veillez à frotter dans le sens du grain de l'acier inoxydable.

**N'utilisez pas de produits de nettoyage contenant de l'acide, des alcools minéraux ou du xylène.** Rincez bien une fois le nettoyage terminé.

**Préservez votre acier inoxydable**

Votre grill ou son placard, son couvercle, son panneau de commande ainsi que ses étagères peuvent être en acier inoxydable. Préserver l'aspect optimal de l'acier inoxydable n'est pas compliqué. Nettoyez à l'eau savonneuse, rincez à l'eau claire et essuyez pour sécher. Pour les particules tenaces, vous pouvez utiliser une brosse non métallique.

**⚠ IMPORTANT : N'utilisez pas de brosse métallique ni de détergents abrasifs sur les surfaces en acier inoxydable de votre grill car ceci le rayerait.**

**⚠ IMPORTANT : Lorsque vous nettoyez les surfaces assurez-vous de frotter/essuyer dans le sens du grain pour préserver l'aspect de votre acier inoxydable.**

## INSTRUCTIONS RELATIVES AU GAZ

### INFORMATIONS IMPORTANTES RELATIVES A LA BOUTEILLE DE PL

#### ⚠ DANGER

**⚠ Ne stockez JAMAIS une Bouteille de PL de recharge au-dessous ou à proximité de ce barbecue.**

**⚠ Ne remplissez JAMAIS la bouteille à plus de 80%.**

**⚠ Le non respect strict des consignes de sécurité intitulées DANGER pourrait entraîner un incendie provoquant la mort ou une blessure grave.**

Votre grill à gaz Weber® est équipé pour être raccordé à un dispositif d'alimentation de bouteille de gaz conçu pour éliminer les émanations.

**⚠ MISE EN GARDE : N'utilisez ce grill qu'en extérieur dans une zone bien ventilée. Ne l'utilisez pas dans un garage, dans un passage couvert ni dans toute autre zone confinée.**

Les méthodes de remplissage correctes pour le rechargement de votre bouteille de gaz sont le remplissage au poids ou au volume, tel que décrit par la norme NFPA 58. Veuillez vous assurer que votre station de remplissage remplit votre bouteille de PL au poids ou au volume. Demandez au personnel de votre station de remplissage de lire les consignes de purge et de remplissage figurant sur la bouteille de PL avant de tenter de la remplir.

### PREPARATION DE LA DETECTION DES FUITES

#### VERIFIEZ QUE TOUTES LES VALVES DES BRULEURS SONT FERMEES

Les valves sont expédiées en position fermée ("OFF"), mais vous devriez les vérifier pour vous assurer qu'elles sont fermées. Vérifiez en les enfonçant et en les tournant dans le sens des aiguilles d'une montre. Si elles ne tournent pas, elles sont fermées. Passez à l'étape suivante. Si elles tournent, continuez à les tourner jusqu'à ce qu'elles ne tournent plus, elles sont maintenant fermées. Passez à l'étape suivante.

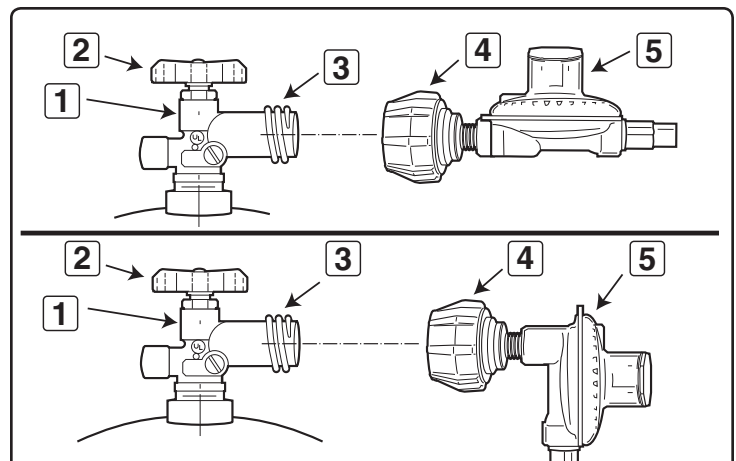
### RACCORDEMENT DE LA BOUTEILLE DE PROPANE LIQUIDE

Tous les régulateurs de grills à gaz propane Weber® sont équipés d'un raccord de bouteille de gaz homologué par l'UL conformément à la dernière édition de l'ANSI Z21.58. Ceci nécessite l'utilisation d'une bouteille de propane liquide équipée d'un raccord de Type 1 au niveau de la valve de la bouteille de gaz. Ce couplage de Type 1 vous permet d'effectuer un raccordement rapide et totalement sécurisé entre votre grill à gaz et votre bouteille de propane liquide. Cela élimine le risque de fuite due à un raccord POL mal serré. Le gaz ne sortira pas de la bouteille de gaz tant que le couplage de Type 1 ne sera pas totalement engagé dans le couplage.

**⚠ MISE EN GARDE : Assurez-vous que la valve de la bouteille de PL est fermée. Fermez-la en tournant la valve dans le sens des aiguilles d'une montre.**

#### ⚠ DANGER

**N'utilisez pas de flamme nue pour détecter les fuites de gaz. Assurez-vous de l'absence de toute étincelle ou flamme nue dans la zone pendant que vous détectez les fuites. Des étincelles ou des flammes entraîneraient un incendie ou une explosion susceptible de provoquer une blessure grave ou la mort, et des dommages à la propriété.**

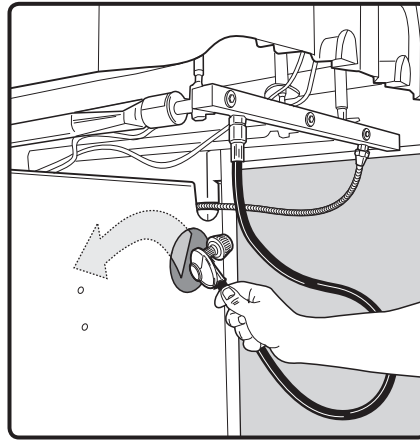


#### COUPLAGE DE CONNEXION DE TYPE 1

1	Valve de type 1
2	Volant manuel
3	Filetage externe
4	Ecroû thermosensible
5	Régulateur de propane

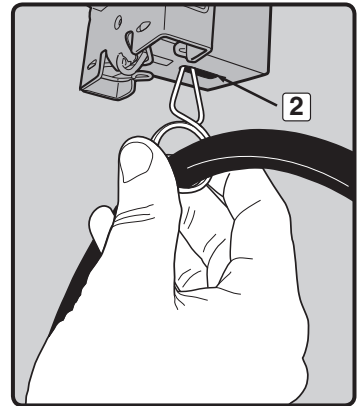
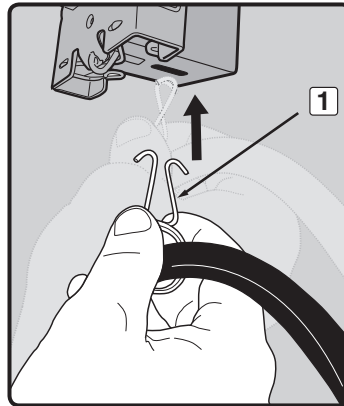
Pour connecter le tuyau à la bouteille de gaz :

- A) Faites passer le tuyau du régulateur à travers l'ouverture du panneau latéral à l'intérieur du placard inférieur.



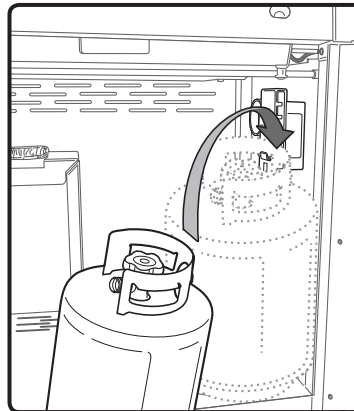
- B) Localisez la pince de retenue (1) sur le tuyau du régulateur. Fixez-la dans la fente (2) au dessous du support de la bouteille de gaz.

**⚠ MISE EN GARDE : Le tuyau doit être solidement fixé au support de la bouteille de gaz à l'aide de la Pince de retenue du tuyau. Le non respect de cette mesure de sécurité pourrait entraîner la détérioration du tuyau entraînant un incendie ou une explosion susceptible de provoquer une blessure grave ou la mort, et des dommages à la propriété.**



La bouteille de PL est installée à l'intérieur du placard inférieur, sur le support de bouteille (côté droit).

- C) Ouvrez les portes du placard inférieur.  
 D) Positionnez la bouteille de PL de sorte que l'ouverture de la valve se trouve soit à l'avant soit sur le côté du barbecue à gaz Weber®. Soulevez et accrochez la bouteille de gaz sur la jauge à combustible.  
 E) soulevez la bouteille de gaz pour la mettre en position sur le support de la bouteille de gaz.  
 F) Desserrez l'écrou à oreilles de verrouillage de la bouteille de gaz. Abaissez le verrou de la bouteille de gaz. Serrez l'écrou à oreilles.



Certaines bouteilles de PL ont des ensembles de colliers supérieurs différents. (Le collier supérieur est l'anneau métallique de protection autour de la valve.) Une série de bouteilles de gaz se monte avec la valve orientée vers l'avant (a). Les autres bouteilles de gaz se montent avec la valve orientée à l'opposé du support de la bouteille de gaz (b). Weber® recommande l'utilisation des bouteilles des fabricants Manchester et Worthington, d'une capacité de 47,6 lb de liquide. D'autres bouteilles peuvent être acceptables pour une utilisation avec l'appareil à condition qu'elles soient compatibles avec le moyen de rétention de l'appareil (voir l'illustration pour le point de contact du moyen de rétention).

- G) Retirez le cache anti-poussière en plastique de la valve.  
 H) Vissez le couplage du régulateur sur la valve de la bouteille de gaz, dans le sens des aiguilles d'une montre, ou vers la droite. Serrez à la main uniquement.

*Remarque : Il s'agit d'un nouveau type de raccord. Il se serre dans le sens des aiguilles d'une montre et ne laisse pas le gaz circuler tant que le raccord n'est pas serré. Le raccord doit être serré à la main uniquement.*

**⚠ MISE EN GARDE : N'utilisez pas de clé pour serrer le raccord. L'utilisation d'une clé pourrait détériorer le couplage du régulateur et pourrait provoquer une fuite.**

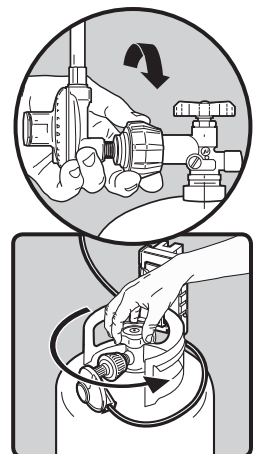
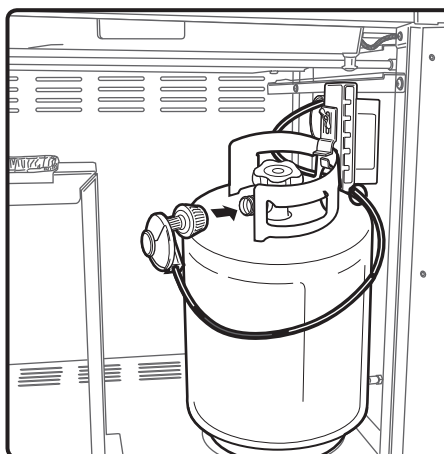
*Il vous faudra : La bouteille de PL, une solution d'eau savonneuse et un chiffon ou une brosse pour l'appliquer.*

- I) Mélangez le savon et l'eau.  
 J) Ouvrez la valve de la bouteille de gaz.  
 K) Détectez les fuites en humidifiant le raccord à l'aide de la solution d'eau savonneuse et regardez si des bulles se forment. Si des bulles se forment, ou si une bulle grossit, cela indique la présence d'une fuite.

En cas de fuite, fermez le gaz et serrez le raccord. Rallumez le gaz et vérifiez à nouveau à l'aide de la solution d'eau savonneuse.

En cas de persistance de la fuite, veuillez entrer en contact avec le Représentant du Service clientèle le plus proche grâce aux coordonnées à votre disposition sur notre site Internet. Connectez-vous sur [www.weber.com](http://www.weber.com). N'utilisez pas le barbecue.

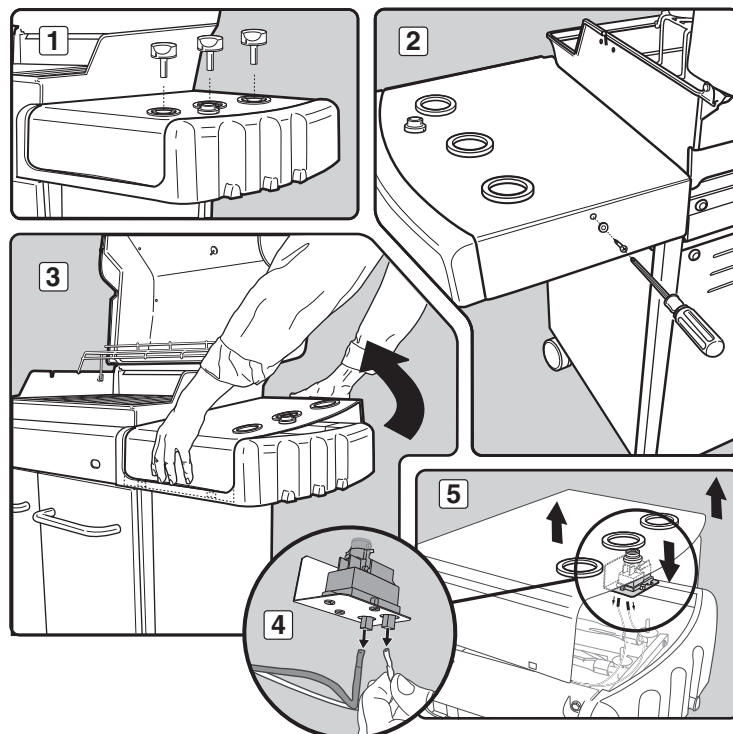
- L) Une fois que vous avez terminé la détection des fuites, fermez l'arrivée de gaz (OFF) à la source puis rincez les raccords à l'eau.



## RETIREZ LES BOUTONS DE COMMANDE & LE PANNEAU DE COMMANDE POUR LA DETECTION DES FUITES

Il vous faudra : un tournevis cruciforme.

- Retirez les boutons de commande (1).
- Retirez la vis et la rondelle de l'arrière du panneau de commande avec un tournevis cruciforme (2).
- Inclinez l'extrémité arrière du panneau de commande vers le haut. Enfoncez l'extrémité avant pour dégager les languettes de verrouillage. Retirez soigneusement le panneau de commande du cadre (3).
- Déconnectez les câbles de l'allumeur du module d'allumage (4).
- Remettez le panneau de commande en place lorsque vous avez terminé la Détection des fuites (5).



## DETECTION DES FUITES DE GAZ

### ⚠ DANGER

**N'utilisez pas de flamme nue pour détecter les fuites de gaz. Assurez-vous de l'absence d'étincelle ou de flamme nue dans la zone pendant que vous détectez les fuites. Des étincelles ou des flammes nues provoqueraient un incendie ou une explosion susceptible de provoquer des blessures graves ou la mort ainsi que des dommages à la propriété.**

- ⚠ **MISE EN GARDE : Vous devriez détecter les fuites de gaz à chaque fois que vous déconnectez puis reconnectez un raccord de gaz.**

*Remarque : Tous les raccordements effectués en usine ont fait l'objet de vérifications de détection des fuites approfondies. Les brûleurs ont été testés avec une flamme. Toutefois, par mesure de sécurité vous devriez vérifier à nouveau tous les raccords afin de détecter toute fuite avant d'utiliser votre Barbecue à gaz Weber®. L'expédition et la manipulation peuvent desserrer ou détériorer un raccord de gaz.*

- ⚠ **MISE EN GARDE : Effectuez ces détections de fuites même si votre barbecue a été assemblé par un revendeur ou en boutique.**

Il vous faudra : une solution d'eau savonneuse, et un chiffon ou une brosse pour l'appliquer.

*Remarque : Dans la mesure où certaines solutions de détection des fuites, y compris l'eau savonneuse, peuvent être légèrement corrosives, vous devriez rincer tous les raccords à l'eau après avoir procédé à la détection des fuites.*

Si votre grill est équipé d'un brûleur latéral, assurez-vous que celui-ci est éteint.

Pour détecter les fuites : ouvrez la valve de la bouteille en tournant le volant de la valve de la bouteille dans le sens inverse des aiguilles d'une montre.

- ⚠ **MISE EN GARDE : N'allumez pas les brûleurs pendant que vous détectez les fuites.**

Détectez les fuites en humidifiant les raccords à l'aide de la solution d'eau savonneuse et en observant si des bulles se forment. Si des bulles se forment ou si une bulle grossit, cela indique la présence d'une fuite.

### Vérifiez :

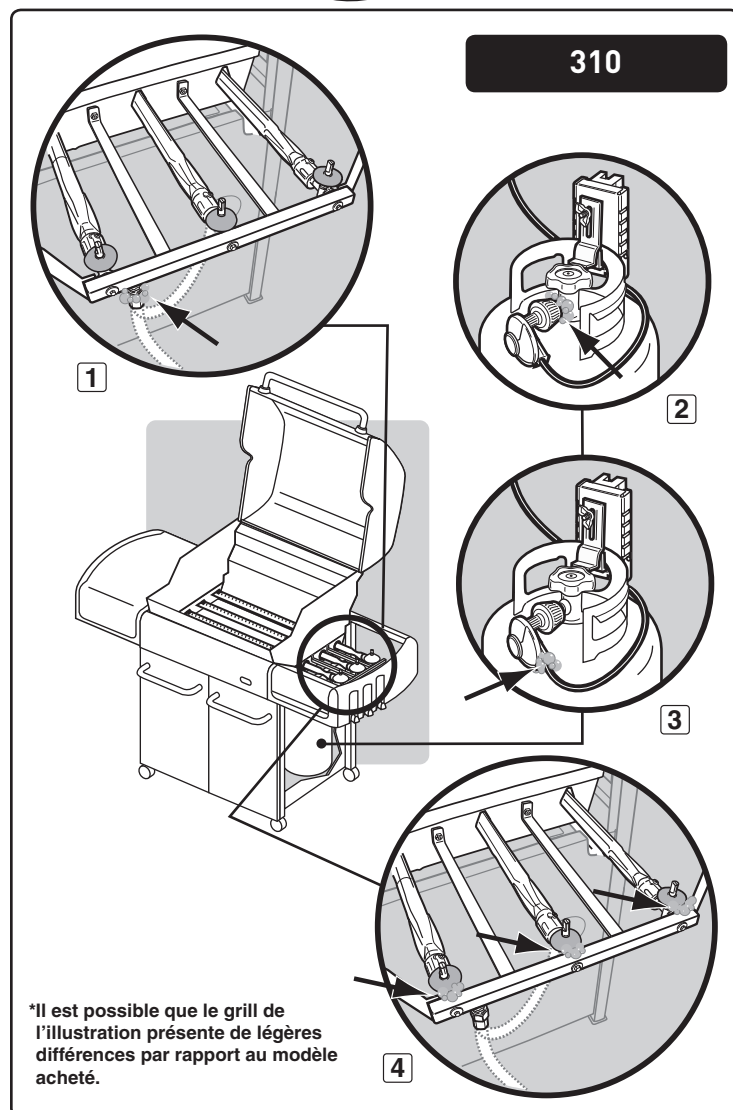
- Le raccord entre le tuyau et le collecteur (1).

- ⚠ **MISE EN GARDE : En cas de fuite au niveau du raccord (1), resserrez le raccord avec une clé et détectez à nouveau les fuites à l'aide d'une solution d'eau savonneuse. En cas de persistance d'une fuite une fois que vous avez resserré le raccord, fermez le gaz (OFF). N'UTILISEZ PAS LE GRILL. Veuillez entrer en contact avec le Représentant du Service clientèle le plus proche en utilisant les coordonnées à votre disposition sur notre site Internet. Connectez-vous sur [www.weber.com](http://www.weber.com)®.**

- Le raccord entre le régulateur et la bouteille (2).
- Le raccord entre le tuyau et le régulateur (3).
- Les raccords entre les valves et le collecteur (4).

- ⚠ **MISE EN GARDE : En cas de fuite au niveau des raccords (2), (3) ou (4), fermez le gaz (OFF). N'UTILISEZ PAS LE GRILL. Veuillez entrer en contact avec le Représentant du Service clientèle le plus proche à l'aide des coordonnées à votre disposition sur notre site Internet. Connectez-vous sur [www.weber.com](http://www.weber.com)®.**

Lorsque les examens de détection des fuites sont terminés, fermez l'arrivée de gaz (OFF) à la source et rincez les raccords à l'eau.



## Vérifiez :

- A) Le raccord entre le tuyau et le collecteur (1).
- B) Le raccord entre le tuyau du brûleur latéral et le collecteur et le raccord entre le tuyau du brûleur latéral et la conduite de gaz du brûleur latéral (2).
- C) Le raccord entre le tuyau du brûleur latéral et le brûleur latéral, les raccords entre la valve du brûleur latéral et l'orifice (3).

⚠ **MISE EN GARDE : En cas de fuite au niveau du raccord (1, 2, ou 3), resserrez le raccord avec une clé et détectez à nouveau les fuites à l'aide d'une solution d'eau savonneuse. En cas de persistance d'une fuite une fois que vous avez resserré le raccord, fermez le gaz (OFF). N'UTILISEZ PAS LE GRILL.** Veuillez entrer en contact avec le Représentant du Service clientèle le plus proche grâce aux coordonnées à votre disposition sur notre site Internet. Connectez-vous sur [www.weber.com](http://www.weber.com)®.

- D) Le raccord entre le régulateur et la bouteille (4).
- E) Le raccord entre le tuyau et le régulateur (5).
- F) Les raccords entre les valves et le collecteur (6).

⚠ **MISE EN GARDE : En cas de fuite au niveau des raccords (4, 5 ou 6), fermez le gaz (OFF). N'UTILISEZ PAS LE GRILL.** Veuillez entrer en contact avec le Représentant du Service clientèle le plus proche grâce aux coordonnées à votre disposition sur notre site Internet. Connectez-vous sur [www.weber.com](http://www.weber.com)®.

Lorsque vous avez terminé les examens de détection des fuites, fermez l'arrivée de gaz (OFF) à la source et rincez les raccords à l'eau.

## RECHARGEMENT DE LA BOUTEILLE DE PROPANE LIQUIDE

Nous vous recommandons de recharger la bouteille de PL avant que celle-ci ne soit complètement vide.

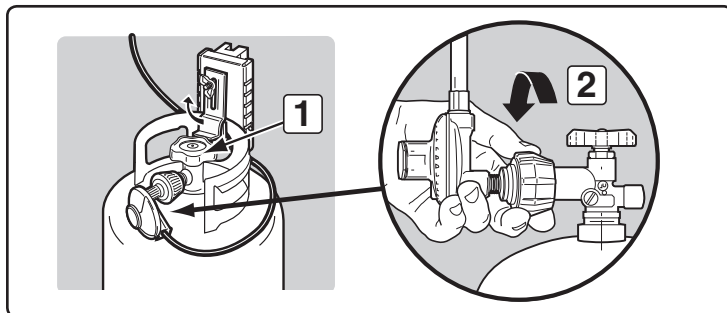
Retrait de la bouteille de PL.

- A) Fermez la valve de la bouteille de gaz (tournez dans le sens des aiguilles d'une montre) (1).
- B) Dévissez le couplage du régulateur en le tournant dans le sens inverse des aiguilles d'une montre, à la main uniquement (2).
- C) Desserrez l'écrou à oreilles verrouillant la bouteille de gaz et retirez le verrou de la bouteille de gaz.
- D) Soulevez la bouteille de gaz pour la sortir.

Pour recharger la bouteille de PL, emmenez-la chez un revendeur de propane, ou cherchez à "gaz propane" dans l'annuaire pour d'autres sources de gaz PL.

⚠ **MISE EN GARDE : Nous vous recommandons de faire remplir votre bouteille de PL auprès d'un revendeur de gaz agréé, par du personnel qualifié, qui remplit la bouteille au poids. UN MAUVAIS REMPLISSAGE EST DANGEREUX.**

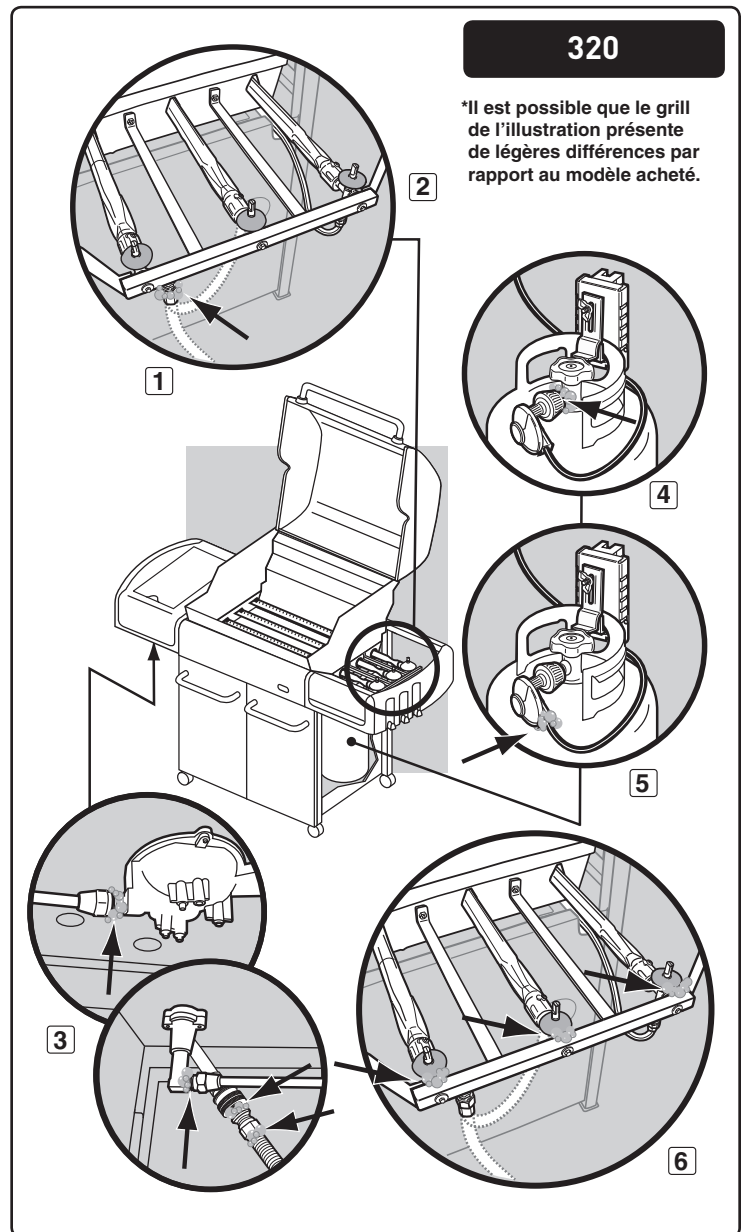
⚠ **ATTENTION : Placez le cache anti-poussière sur la sortie de la valve de la bouteille de gaz chaque fois que la bouteille de gaz est inutilisée. N'utilisez que le type de cache anti-poussière fourni avec la valve de la bouteille de propane. L'utilisation d'autres types de caches ou de bouchons pourrait provoquer une fuite de propane.**



## VERIFICATION DU NIVEAU DE COMBUSTIBLE DANS VOTRE BOUTEILLE

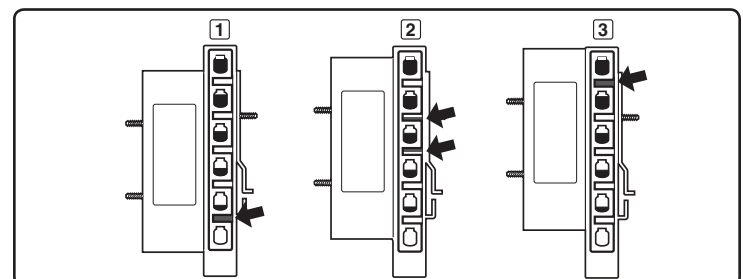
Vérifiez le niveau de combustible en regardant la ligne de niveau de l'indicateur de couleur sur le côté du plateau de la bouteille.

- A) Vide (1)
- B) Moyenne (2)
- C) Pleine (3)



320

\*Il est possible que le grill de l'illustration présente de légères différences par rapport au modèle acheté.



## INSTRUCTIONS RELATIVES AU GAZ

### ASTUCES POUR UNE MANIPULATION SANS DANGER DES BOUTEILLES DE GAZ PROPANE LIQUIDE

- Le gaz Propane liquide (PL) est un produit dérivé du pétrole comme le sont l'essence et le gaz naturel. Le gaz PL est gazeux à des températures et à des pressions ordinaires. Soumis à une pression modérée, à l'intérieur d'une bouteille de gaz, le gaz PL est liquide. Au fur et à mesure que la pression diminue, le liquide vaporise rapidement et devient gazeux.
- L'odeur du gaz PL ressemble à celle du gaz naturel. Vous devriez avoir conscience de cette odeur.
- Le gaz PL est plus lourd que l'air. Du gaz PL s'échappant d'une fuite peut s'accumuler dans des espaces proches du sol, ce qui empêcherait sa dispersion.
- Pour remplir la bouteille de PL, emmenez-la chez un revendeur de gaz propane, ou cherchez à "gaz propane" dans l'annuaire pour d'autres sources de gaz PL.

**⚠ MISE EN GARDE : Nous vous recommandons de faire remplir votre bouteille de PL auprès d'un revendeur de gaz PL agréé, par du personnel qualifié, qui remplit la bouteille au poids. UN REMPLISSAGE INCORRECT EST DANGEREUX.**

- L'air doit être extrait d'une bouteille de PL neuve avant que celle-ci soit remplie pour la première fois. Votre revendeur de PL est équipé pour effectuer cette opération.
- La bouteille de PL doit être installée, transportée et stockée en position verticale. Les bouteilles de PL ne devraient pas être lâchées ou maipulées brutalement.
- Ne stockez ou ne transportez jamais la bouteille de PL dans des endroits où la température peut atteindre 125° F (trop chaud pour tenir à la main - par exemple : ne laissez pas la bouteille de PL à l'intérieur d'une voiture par une journée chaude).

*Remarque : Une recharge dure environ 18 à 20 heures de cuisson dans des conditions d'utilisation normales. Le niveau de combustible indique le niveau de propane de façon à ce que vous puissiez vous réapprovisionner avant d'être à court de combustible. Vous n'avez pas besoin de vider la bouteille avant de la faire recharger.*

- Manipulez les bouteilles de PL "vides" avec le même soin que lorsqu'elles sont pleines. Même lorsque la bouteille de PL ne contient plus de liquide il peut toujours y avoir du gaz sous pression à l'intérieur. Fermez toujours la valve de la bouteille avant de la déconnecter.

**⚠ ATTENTION : Placez le cache anti-poussière sur la sortie de la valve de la bouteille de gaz chaque fois que celle-ci est inutilisée. N'installez que le type de cache anti-poussière fourni avec la valve de la bouteille de gaz. L'utilisation d'autres types de caches ou de bouchons pourrait entraîner une fuite de propane.**

- N'utilisez pas de bouteille de PL détériorée. Les bouteilles de PL comportant un renforcement ou rouillée ou les bouteilles de PL dont la valve est détériorée peuvent être dangereuses et devraient immédiatement être remplacées par des bouteilles neuves.

### BOUTEILLE(S) DE GAZ PROPANE LIQUIDE (PL)

- Le raccord où le tuyau est relié à la bouteille de gaz PL doit faire l'objet d'un contrôle de détection des fuites à chaque fois que la bouteille de PL est rebranchée. Par exemple, détectez les fuites à chaque fois que la bouteille de PL est rechargée.
- Assurez-vous que le régulateur est monté avec le petit trou d'aération orienté vers le bas de sorte qu'il ne reçoive pas d'eau. Cette aération devrait être dégagée des impuretés, de la graisse, des insectes, etc.
- Les raccords de gaz fournis avec votre barbecue à gaz Weber® ont été conçus et testés pour être conformés à 100% des exigences du CSA et de l'ANSI.

**⚠ MISE EN GARDE : Les bouteilles de PL de recharge doivent s'adapter au raccord du régulateur fourni avec ce barbecue.**

### EXIGENCES RELATIVES À LA BOUTEILLE DE PROPANE LIQUIDE

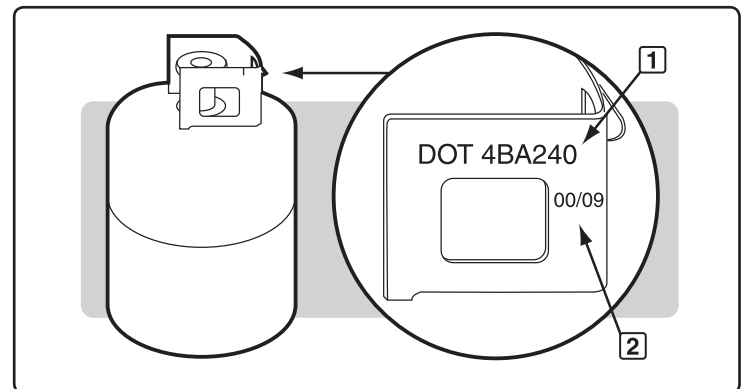
- Assurez-vous que les bouteilles de gaz sont certifiées D.O.T. (1), et que leur date vérifiée (2) est dans les cinq ans. Votre fournisseur de gaz PL peut faire cela pour vous.
- Tous les dispositifs de rechargement de bouteilles de PL doivent inclure une collerette pour protéger la valve de la bouteille de gaz.
- La bouteille de PL doit avoir une taille de 20 lb. environ (18¼ pouces de haut, 12¼ pouces de diamètre).
- La bonbonne doit être fabriquée et marquée conformément aux Spécifications s'appliquant aux bonbonnes de gaz - propane liquide du ministère américain des Transports (D.O.T.) ou à la norme nationale du Canada, CAN/CSA-B339, sur les bonbonnes, sphères et tuyaux ou sur le transport des marchandises dangereuses; et commission, si applicable.

### AU CANADA

#### EXIGENCES RELATIVES AUX BOUTEILLES DE GAZ PROPANE LIQUIDE

*Remarque : Votre détaillant peut vous aider à trouver une bouteille de gaz de recharge adaptée à votre barbecue.*

- La bouteille de PL doit être fabriquée et marquée conformément aux spécifications relatives aux bouteilles de gaz PL, T.C.



## INSTRUCTIONS RELATIVES A L'UTILISATION

### ALLUMAGE

Vous trouverez des instructions d'allumage résumées à l'intérieur de la porte gauche du placard.

#### ⚠ DANGER

**Le fait de ne pas ouvrir le couvercle pendant que vous allumez les brûleurs du barbecue, ou de ne pas patienter 5 minutes pour laisser le gaz se dissiper si le barbecue ne s'allumait pas, pourrait entraîner un embrasement explosif susceptible de provoquer une blessure grave ou la mort.**

### DISPOSITIF D'ALLUMAGE CROSSOVER®

*Remarque - Le dispositif d'allumage Crossover® allume le BRULEUR 1 avec une étincelle en provenance de l'électrode de l'allumeur située à l'intérieur du compartiment d'allumage Gas Catcher®. Vous générez l'énergie nécessaire à la production de l'étincelle en appuyant sur le bouton d'allumage électronique. Vous entendrez la formation des étincelles.*

**⚠ MISE EN GARDE : Vérifiez le tuyau avant chaque utilisation du barbecue afin de détecter toute entaille, fissure, abrasion ou coupure. S'il s'avère que le tuyau est détérioré de quelque manière, n'utilisez pas le barbecue. Ne remplacez le tuyau que par un tuyau de recharge agréé par Weber®. Veuillez entrer en contact avec le Représentant du Service clientèle le plus proche grâce aux coordonnées à votre disposition sur notre site Internet. Connectez-vous sur [www.weber.com](http://www.weber.com)®.**

# INSTRUCTIONS RELATIVES A L'UTILISATION

## ALLUMAGE DU BRULEUR PRINCIPAL

- A) Ouvrez le couvercle (1).
- B) Assurez-vous que tous les boutons de commande du brûleur sont positionnés sur OFF (2). (Enfoncez le bouton de commande puis tournez-le dans le sens des aiguilles d'une montre pour vous assurer qu'il est positionné sur OFF.)

**⚠ MISE EN GARDE : Les boutons de commande du brûleur doivent être positionnés sur OFF avant que vous ouvriez la valve de la bouteille de propane liquide. S'ils ne sont pas positionnés sur OFF, lorsque vous ouvrez la valve de la bouteille de PL, la fonction de "contrôle du débit de gaz en excès" s'active, limitant ainsi le débit de gaz en provenance de la bouteille de PL. Si cela se produisait, fermez la valve de la bouteille de PL et les boutons de commande du brûleur. Recommencez.**

### ⚠ DANGER:

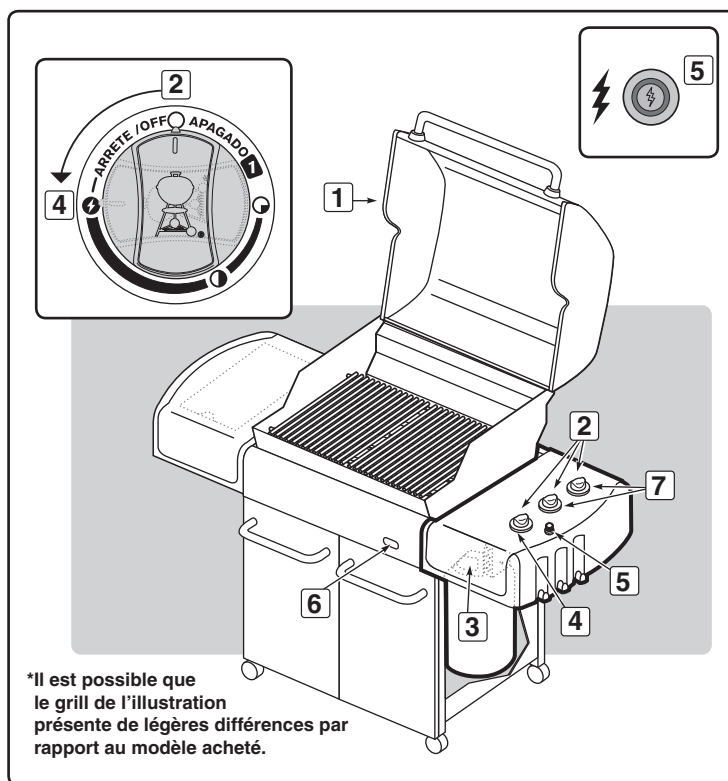
Lorsque la fonction "contrôle du débit de gaz en excès" est activée, une petite quantité de gaz circule toujours en direction des brûleurs. Une fois que vous avez fermé (OFF) la valve de la bouteille de gaz, patientez au moins 5 minutes pour laisser le gaz se dissiper avant d'essayer d'allumer le barbecue. Le non respect de cette mesure de sécurité pourrait entraîner un embrasement explosif, susceptible de provoquer une blessure grave ou la mort.

- C) Ouvrez la bouteille de gaz en tournant lentement la valve de la bouteille dans le sens inverse des aiguilles d'une montre (3).

**⚠ MISE EN GARDE : Ne vous penchez pas au-dessus du barbecue ouvert. Maintenez le visage et le corps à une distance d'au moins un pied par rapport trou d'allumage avec une allumette lorsque vous allumez le barbecue.**

- D) Enfoncez le bouton de commande du BRULEUR 1 puis positionnez-le sur START/ HI (4).
- E) Appuyez sur le bouton d'allumage électronique et maintenez-le enfoncé. Vous l'entendrez émettre des étincelles (5).
- F) Vérifiez que le brûleur est allumé en regardant à travers le trou d'allumage à l'avant du boîtier de cuisson. Vous devriez voir une flamme (6).

**⚠ MISE EN GARDE: si le brûleur ne s'allume dans un délai de cinq (5) secondes, tournez le bouton de commande du brûleur 1 sur OFF et patientez 5 minutes afin de laisser le gaz se dissiper avant de réessayer à nouveau ou essayez d'allumer à l'aide d'une allumette.**



- G) Une fois que le BRULEUR 1 est allumé, vous pouvez allumer le BRULEUR 2 et le (BRULEUR 3) (7).

Remarque - Allumez toujours le BRULEUR 1 en premier. Les autres brûleurs s'allument à partir du BRULEUR 1.

## POUR ETEINDRE

Enfoncez et tournez chaque bouton de commande du brûleur dans le sens des aiguilles d'une montre pour le positionner sur OFF. Fermez l'arrivée de gaz (OFF) à la source.

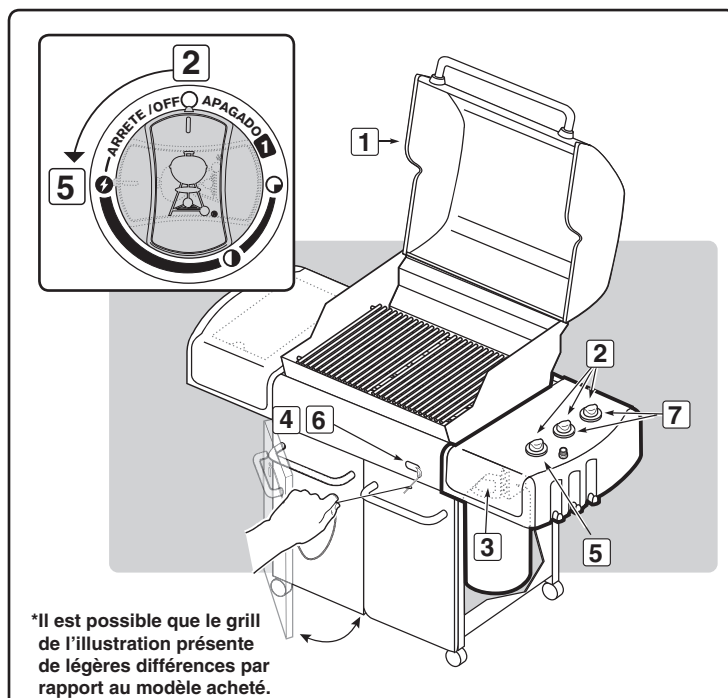
## ALLUMAGE MANUEL DU BRULEUR PRINCIPAL

### ⚠ DANGER

Le fait de ne pas ouvrir le couvercle lorsque vous allumez les brûleurs du barbecue, ou de ne pas patienter 5 minutes pour laisser le gaz se dissiper si le barbecue ne s'allumait pas, pourrait provoquer un embrasement explosif susceptible de provoquer une blessure grave ou la mort.

- A) Ouvrez le couvercle (1).
- B) Assurez-vous que tous les boutons de commande du brûleur sont fermés (2). (Enfoncez chaque bouton et tournez-le dans le sens des aiguilles d'une montre pour vous assurer qu'il est positionné sur "OFF")

**⚠ MISE EN GARDE : Les boutons de commande du brûleur doivent être positionnés sur "OFF" avant que vous ouvriez la valve de la bouteille de propane liquide. S'ils ne sont pas positionnés sur "OFF", lorsque vous ouvrez la valve de la bouteille de PL, la fonction de "contrôle du débit de gaz excessif" s'active, limitant ainsi le débit de gaz en provenance de la bouteille de PL. Si cela se produisait, fermez la valve de la bouteille de PL et les boutons de commande du brûleur. Recommencez.**



## INSTRUCTIONS RELATIVES A L'UTILISATION

### ⚠ DANGER

Lorsque la fonction de "contrôle du débit de gaz en excès" est activée, une petite quantité de gaz circule toujours vers les brûleurs. Une fois que vous avez fermé la bouteille de gaz et les boutons de commande du brûleur, patientez au moins 5 minutes pour laisser le gaz se dissiper avant de tenter d'allumer le barbecue. Le non respect de cette mesure de sécurité risque d'entraîner un embrasement explosif susceptible de provoquer une blessure grave ou la mort.

- C) Ouvrez la bouteille de gaz en tournant la valve de la bouteille dans le sens inverse des aiguilles d'une montre (3).
- D) Insérez le porte-allumette avec l'allumette allumée à travers le trou d'allumage à l'avant du boîtier de cuisson (4).

**⚠ MISE EN GARDE : Ne vous penchez pas au-dessus du barbecue ouvert. Maintenez le visage et le corps à une distance d'au moins un pied par rapport au trou d'allumage lorsque vous allumez le barbecue.**

- E) Enfoncez le bouton de commande du BRULEUR 1 et tournez-le vers "START/HI" (5).
- F) Vérifiez si le brûleur est allumé en regardant par le trou d'allumage à l'avant du boîtier de cuisson. Vous devriez voir une flamme (6).

**⚠ MISE EN GARDE: si le brûleur ne s'allume dans un délai de cinq (5) secondes, tournez le bouton de commande du brûleur 1 sur OFF et patientez 5 minutes afin de laisser le gaz se dissiper avant de réessayer.**

- G) Une fois que le BRULEUR 1 est allumé, vous pouvez allumer le BRULEUR 2 et le (BRULEUR 3) (7).

*Remarque Allumez toujours le BRULEUR 1 en premier. Les autres brûleurs s'allument à partir du BRULEUR 1.*

### ALLUMAGE DU BRULEUR LATERAL

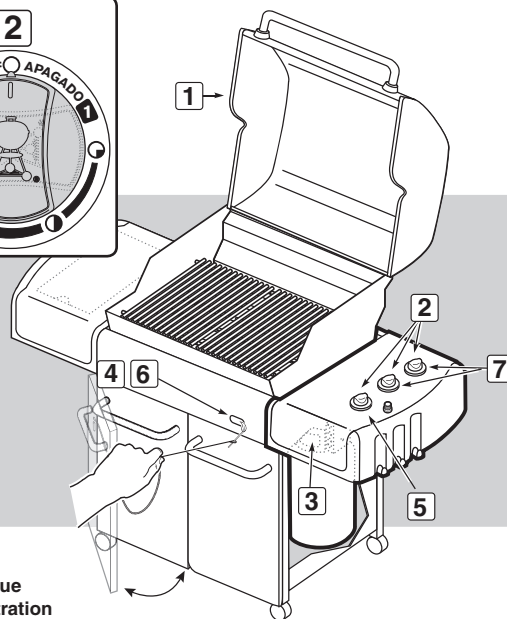
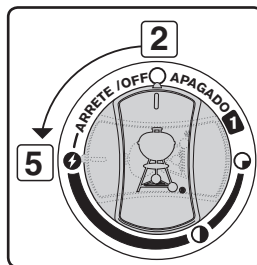
### ⚠ DANGER

Le fait de ne pas ouvrir le couvercle lorsque vous allumez le brûleur latéral, ou de ne pas patienter 5 minutes pour laisser le gaz se dissiper si le brûleur latéral ne s'allumait pas, pourrait provoquer un embrasement explosif susceptible d'entraîner une blessure grave ou la mort.

**⚠ MISE EN GARDE: Vérifiez le tuyau avant chaque utilisation du barbecue afin de détecter toute entaille, fissure, abrasion ou coupure. Si vous trouvez que le tuyau est détérioré de quelque manière que ce soit, n'utilisez pas le barbecue. Remplacez-le en utilisant uniquement un tuyau de rechange agréé par Weber®. Veuillez entrer en contact avec le Représentant du Service clientèle le plus proche au moyen des coordonnées à votre disposition sur notre site Internet. Connectez-vous sur [www.weber.com](http://www.weber.com)®.**

- A) Ouvrez le couvercle du brûleur latéral (1).
- B) Vérifiez que le brûleur latéral est positionné sur "OFF" (2). (Enfoncez le bouton de commande et tournez dans le sens des aiguilles d'une montre pour vous assurer qu'il est positionné sur "OFF"), positionnez tous les brûleurs inutilisés sur "OFF" (Enfoncez et tournez dans le sens des aiguilles d'une montre).

**⚠ MISE EN GARDE : Les boutons de commande du brûleur doivent être positionnés sur OFF avant que vous ouvriez la valve de la bouteille de propane liquide. S'ils ne sont pas positionnés sur OFF, lorsque vous ouvrez la valve de la**

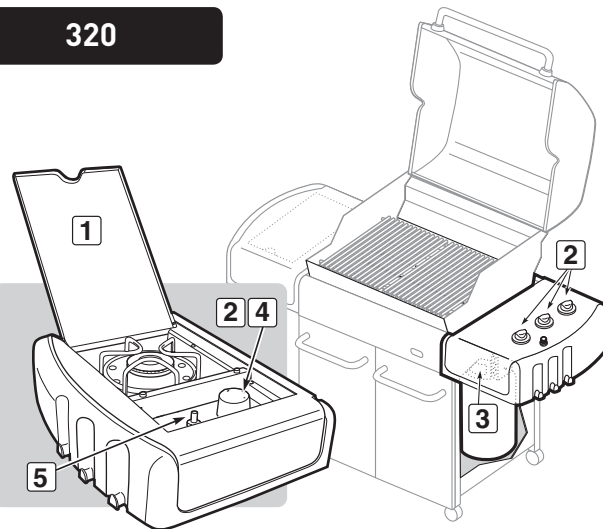


\*Il est possible que le grill de l'illustration présente de légères différences par rapport au modèle acheté.

### POUR ETEINDRE

Enfoncez et tournez chaque bouton de commande du brûleur dans le sens des aiguilles d'une montre pour le positionner sur "OFF". Fermez l'arrivée de gaz à la source.

320



bouteille de PL, la fonction de "contrôle du débit de gaz en excès" s'active, limitant ainsi le débit de gaz en provenance de la bouteille de PL. Si cela se produisait, fermez la valve de la bouteille de PL et les boutons de commande du brûleur. Recommencez.

**⚠ DANGER:**

Lorsque la fonction "contrôle du débit de gaz en excès" est activée, une petite quantité de gaz circule toujours en direction des brûleurs. Une fois que vous avez fermé (OFF) la valve de la bouteille de gaz, patientez au moins 5 minutes pour laisser le gaz se dissiper avant d'essayer d'allumer le barbecue. Le non respect de cette mesure de sécurité pourrait entraîner un embrasement explosif, susceptible de provoquer une blessure grave ou la mort.

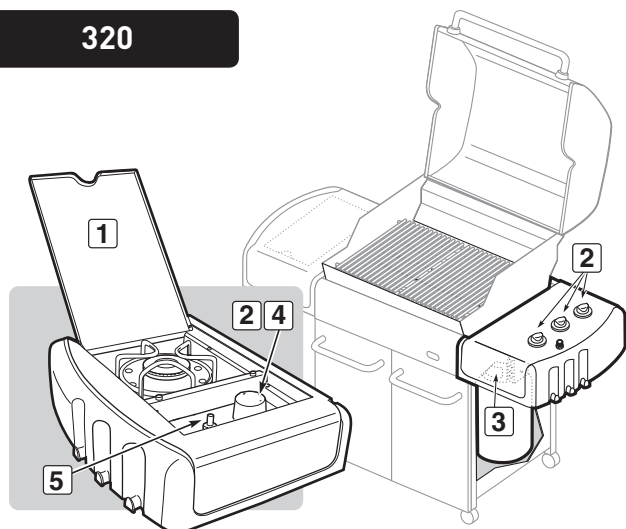
- C) Ouvrez la valve d'arrivée de gaz (3).
- D) Enfoncez et tournez la valve de commande du brûleur latéral vers "HI" (4).
- E) Appuyez plusieurs fois sur le bouton de l'allumeur de sorte qu'il produise un dé clic à chaque fois (5).

**⚠ ATTENTION: Il peut être difficile de voir la flamme du brûleur latéral par une journée claire et ensoleillée.**

**⚠ MISE EN GARDE: si le brûleur latéral ne s'allume pas dans un délai de cinq (5) secondes:**

- a) Fermez la valve de commande du brûleur latéral, les brûleurs principaux et l'arrivée de gaz à la source.
- b) Patientez 5 minutes pour laisser le gaz se dissiper avant d'essayer à nouveau, ou essayez de l'allumer avec une allumette (voir "Allumage manuel du brûleur latéral").

**320**



## ALLUMAGE MANUEL DU BRULEUR LATERAL

**⚠ DANGER**

Le fait de ne pas ouvrir le couvercle lorsque vous allumez le brûleur latéral ou de ne pas patienter 5 minutes pour laisser le gaz se dissiper si le brûleur latéral ne s'allumait pas pourrait provoquer un embrasement explosif susceptible de provoquer une blessure grave ou la mort.

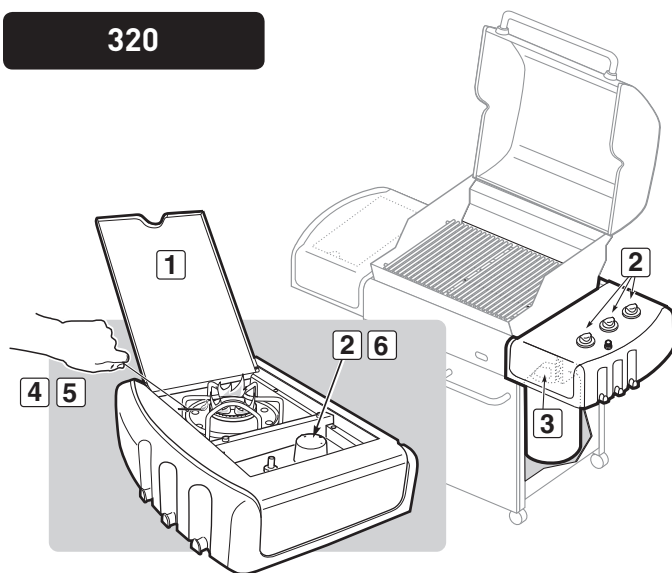
- A) Ouvrez le couvercle du brûleur latéral (1).
- B) Vérifiez que le brûleur latéral est positionné sur "OFF"(2). (Enfoncez le bouton de commande et tournez dans le sens des aiguilles d'une montre pour vous assurer qu'il est positionné sur "OFF"), positionnez tous les brûleurs inutilisés sur "OFF" (Enfoncez et tournez dans le sens des aiguilles d'une montre).

**⚠ MISE EN GARDE : Les boutons de commande du brûleur doivent être positionnés sur OFF avant que vous ouvriez la valve de la bouteille de propane liquide. S'ils ne sont pas positionnés sur OFF, lorsque vous ouvrez la valve de la bouteille de PL, la fonction de "contrôle du débit de gaz en excès" s'active, limitant ainsi le débit de gaz en provenance de la bouteille de PL. Si cela se produisait, fermez la valve de la bouteille de PL et les boutons de commande du brûleur. Recommencez.**

**⚠ DANGER:**

Lorsque la fonction "contrôle du débit de gaz en excès" est activée, une petite quantité de gaz circule toujours en direction des brûleurs. Une fois que vous avez fermé (OFF) la valve de la bouteille de gaz, patientez au moins 5 minutes pour laisser le gaz se dissiper avant d'essayer d'allumer le barbecue. Le non respect de cette mesure de sécurité pourrait entraîner un embrasement explosif, susceptible de provoquer une blessure grave ou la mort.

**320**



- C) Ouvrez la valve d'arrivée de gaz (3).
- D) Placez une allumette dans un porte-allumette et frottez-la (4).
- E) Tenez le porte-allumette et allumez les deux côtés du brûleur avec l'allumette (5).
- F) Enfoncez et tournez la valve de commande du brûleur latéral pour la positionner sur "HI" (6).

**⚠ ATTENTION: Il peut être difficile de distinguer la flamme du brûleur latéral par une journée claire et ensoleillée.**

**⚠ MISE EN GARDE: si le brûleur latéral ne s'allume pas dans un délai de cinq (5) secondes:**

- a) Fermez la valve de commande du brûleur latéral, les brûleurs principaux et l'arrivée de gaz à la source.
- b) Patientez 5 minutes pour laisser le gaz se dissiper avant d'essayer à nouveau.

## DEPANNAGE

PROBLEME	VERIFICATION	SOLUTION
Les brûleurs produisent une flamme jaune ou orange, et une odeur de gaz se dégage.	Inspectez les Grilles anti-araignées/insectes pour détecter les obstacles potentiels. (Blocage des trous.)	Nettoyez les Grilles anti-araignées/insectes. (Voir la Section "Maintenance annuelle")
<b>Symptômes :</b> Les brûleurs ne s'allument pas. - ou - Les flammes des brûleurs sont petites et vacillantes en position "HI" - ou - La température du barbecue atteint 250° à 300° uniquement en position "HI".	Le dispositif de protection contre le débit excessif, qui fait partie du raccord reliant le barbecue à la bouteille de gaz, s'est peut-être enclenché.	Pour réinitialiser le dispositif de protection contre le débit excessif, fermez tous les boutons de commande des brûleurs et la valve de la bouteille de gaz. Déconnectez le régulateur de la bouteille de gaz. Positionnez les boutons de commande du brûleur sur "HI". Patientez au moins 1 minute. Positionnez les boutons de commande du brûleur sur "OFF". Reconnectez le régulateur à la bouteille de gaz. Ouvrez lentement la valve de la bouteille de gaz. Consultez les "Instructions pour l'allumage".
Le brûleur ne s'allume pas, ou la flamme est petite en position "HI".	La bouteille de PL est-elle peu remplie ou vide ?	Rechargez la bouteille de PL.
	Le tuyau d'alimentation en combustible est-il plié ou pincé ?	Redressez le tuyau d'alimentation en combustible.
	Le Brûleur 1 s'allume-t-il avec une allumette ?	Si vous pouvez allumer le Brûleur 1 avec une allumette, vérifiez ensuite le dispositif d'allumage Crossover®.
Des embrasements se produisent :	Préchauffez-vous le barbecue selon la méthode recommandée ?	Tous les brûleurs sur HI pendant 10 à 15 minutes pour le préchauffage.
	Les grilles de cuisson et les barres Flavorizer® sont-elles recouvertes d'une épaisse couche de graisse brûlée ?	Nettoyez méticuleusement. (Voir la Section "Nettoyage")
	Le plateau inférieur est-il "sale" et empêche-t-il la graisse de s'écouler vers l'égouttoir ?	Nettoyez le plateau inférieur.
<b>⚠ ATTENTION : Ne recouvrez pas le plateau inférieur de papier aluminium.</b>		
L'aspect de la flamme du brûleur est irrégulier. La flamme est petite lorsque le brûleur est réglé sur "HI". Les flammes ne brûlent pas sur toute la longueur du tube du brûleur.	Les brûleurs sont-ils propres ?	Nettoyez les brûleurs. (Voir la Section "Maintenance")
L'intérieur du couvercle semble "s'écailler." (Cela ressemble à des éclats de peinture.)	Le couvercle est en émail ou en acier inoxydable, il n'est pas peint. Il ne peut pas "s'écailler". Ce que vous voyez, ce sont des éclats de graisse carbonisée qui se détachent du couvercle. <b>IL NE S'AGIT PAS D'UN DEFAUT.</b>	Nettoyez méticuleusement. (Voir la Section "Nettoyage")
Les portes du placard ne sont pas alignées.	Vérifiez la goupille de réglage au bas de chaque porte.	Desserez le ou les écrou(s) de réglage. Faites glisser la ou les porte(s) jusqu'à ce que celle(s)-ci soi(en)t alignée(s). Serrez l'écrou.
Si vous ne parvenez pas à résoudre les problèmes en utilisant ces méthodes, veuillez entrer en contact avec le Représentant du Service clientèle le plus proche grâce aux coordonnées à votre disposition sur notre site Internet. Connectez-vous sur <a href="http://www.weber.com">www.weber.com</a> ®.		

## DEPANNAGE DU BRULEUR LATERAL

PROBLEME	VERIFICATION	SOLUTION
Le brûleur latéral ne s'allume pas.	L'arrivée de gaz est-elle fermée ? Le dispositif de sécurité limitant le débit de gaz en excès, qui fait partie du raccord entre le barbecue et la bouteille de gaz, s'est peut-être activé.	Ouvrez l'arrivée de gaz. Pour réinitialiser le dispositif de sécurité limitant le débit de gaz en excès, fermez la totalité des boutons de commande du brûleur ainsi que la valve de la bouteille de gaz. Déconnectez le régulateur de la bouteille de gaz. Tournez les boutons de commande du brûleur vers START/HI. Patientez au moins 1 minute. Positionnez les boutons de commande du brûleur sur "OFF". Reconnectez le régulateur à la bouteille de gaz. Ouvrez lentement la valve de la bouteille de gaz. Consultez les "Instructions pour l'allumage".
La flamme est petite en position "HI".	Le tuyau d'alimentation en combustible est-il plié ou coincé ?	Redressez le tuyau.
L'allumage par bouton poussoir ne fonctionne pas	Le brûleur s'allume-t-il avec une allumette ?	Si le brûleur s'allume avec une allumette, vérifiez l'allumeur (voir Maintenance du brûleur latéral).
Si vous ne parvenez pas à résoudre les problèmes en utilisant ces méthodes, veuillez entrer en contact avec le Représentant du Service clientèle le plus proche grâce aux coordonnées à votre disposition sur notre site Internet. Connectez-vous sur <a href="http://www.weber.com">www.weber.com</a> ®.		

## MAINTENANCE DU BRULEUR LATERAL

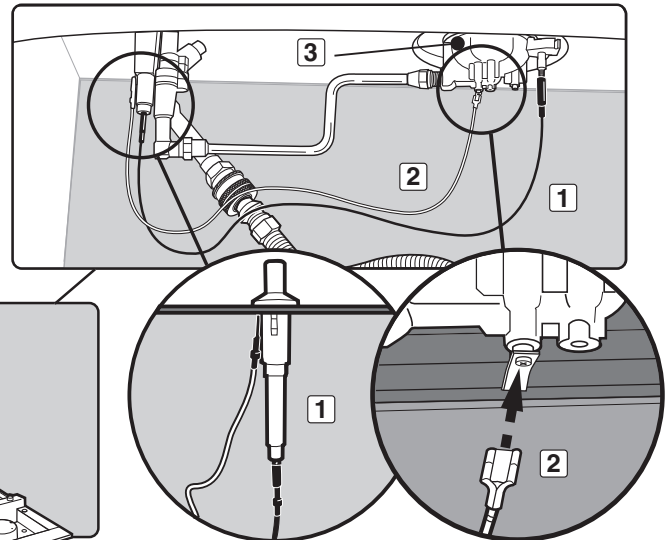
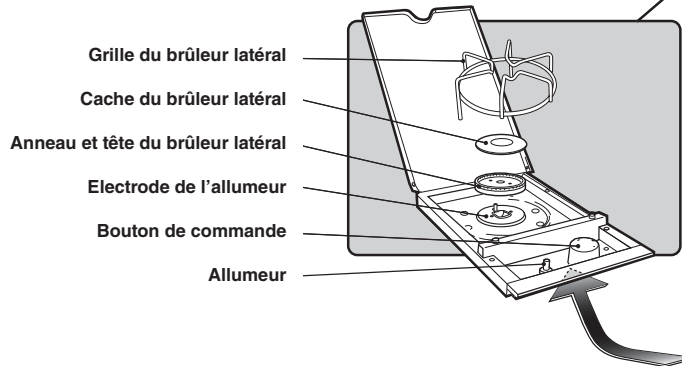
### MAINTENANCE DU BRULEUR LATERAL

**⚠ MISE EN GARDE:** La totalité des commandes de gaz et des valves d'alimentation devraient être positionnées sur "OFF".

Assurez-vous que le câble noir est branché entre l'allumeur et l'électrode.  
Assurez-vous que le câble blanc est branché entre l'allumeur et la pince de raccordement à la terre.

L'étincelle devrait être blanche/bleue, pas jaune.

- A) Câble de l'allumeur (1)
- B) Câble de raccordement à la terre (2)
- C) Brûleur (3)



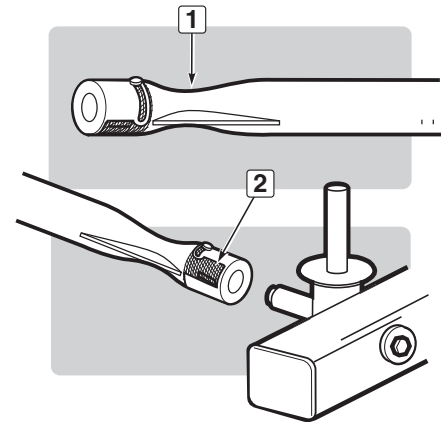
## MAINTENANCE

### GRILLES ANTI-ARAIGNEES/INSECTES WEBER®

Votre barbecue à gaz Weber®, comme tout appareil à gaz d'extérieur, constitue une cible pour les araignées et les autres insectes. Ceux-ci peuvent faire leur nid dans la section des venturi (1) des tubes du brûleur. Ceci bloque le débit normal du gaz, et risque de provoquer le retour du gaz à l'extérieur de l'ouverture destinée à l'air nécessaire à la combustion. Ceci pourrait entraîner un incendie à l'intérieur et autour des ouvertures destinées à recevoir l'air nécessaire à la combustion, au-dessous du panneau de commande, provoquant une détérioration grave de votre barbecue. L'ouverture destinée à recevoir l'air nécessaire à la combustion est protégée par une grille en acier inoxydable (2) afin d'empêcher les araignées et les autres insectes d'accéder aux tubes du brûleur à travers les ouvertures de circulation de l'air nécessaire à la combustion.

**Nous vous recommandons d'inspecter les Grilles anti-araignées/insectes au moins une fois par an. (Voir la Section "Maintenance annuelle".) Veuillez également inspecter et nettoyer les Grilles anti-araignées/insectes si l'un des symptômes suivant se produisait :**

- A) Une odeur de gaz associée à l'aspect jaune et faible des flammes du brûleur.
- B) Le barbecue n'atteint pas la température.
- C) Le barbecue ne chauffe pas de façon homogène.
- D) Un ou plusieurs brûleurs ne s'allument pas.



**⚠ DANGER**

**Le fait de ne pas corriger les symptômes mentionnés ci-dessus pourrait entraîner un incendie, susceptible de provoquer une blessure grave ou la mort et des dommages à la propriété.**

## MAINTENANCE ANNUELLE

### INSPECTION ET NETTOYAGE DE LA GRILLE ANTI-ARAIGNÉES/INSECTES

Pour inspecter les Grilles anti-araignées/insectes, retirez le panneau de commande. En cas de présence de poussière ou d'impuretés sur les grilles, retirez les brûleurs pour nettoyer les grilles.

Brossez légèrement les Grilles anti-araignées/insectes avec une brosse à poils souples (par exemple, une vieille brosse à dents).

**⚠ ATTENTION : Ne nettoyez pas les Grilles anti-araignées/insectes à l'aide d'ustensiles durs ou coupants. Ne délogez pas les Grilles-anti araignées/insectes de leurs emplacements et n'élargissez pas les ouvertures des grilles.**

Tapotez légèrement le brûleur pour faire sortir les débris et les impuretés du tube du brûleur. Une fois que les Grilles anti-araignées/insectes sont propres, remettez les brûleurs en place.

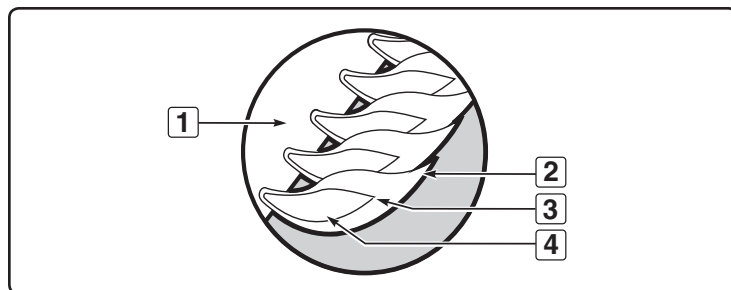
Si la Grille anti-araignées/insectes se détériore ou ne peut pas être nettoyée, veuillez entrer en contact avec le Représentant du service clientèle le plus proche à l'aide des coordonnées à votre disposition sur notre site Internet. Connectez-vous sur [www.weber.com](http://www.weber.com).

### ASPECT DES FLAMMES DU BRÛLEUR

Les brûleurs du barbecue à gaz Weber® ont été paramétrés en usine pour recevoir le mélange d'air et de gaz correct. L'illustration montre l'aspect correct de la flamme.

- A) Tube du brûleur (1)
- B) Les extrémités flamboient de temps en temps en jaune (2)
- C) Bleu clair (3)
- D) Bleu foncé (4)

Si les flammes ne semblent pas uniformes tout au long du tube du brûleur, suivez les procédures de nettoyage du brûleur.



### PROCEDURE DE NETTOYAGE DU BRÛLEUR PRINCIPAL

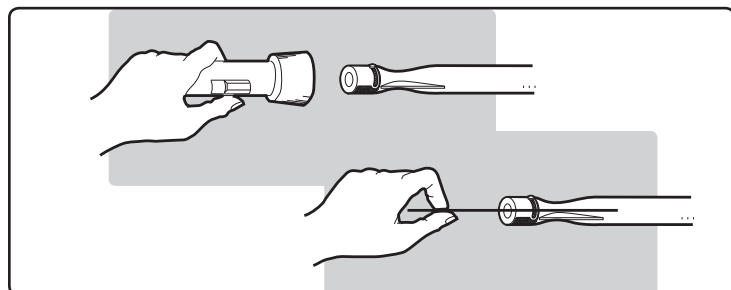
#### FERMEZ L'ARRIVÉE DE GAZ.

Retirez le collecteur (Voir "Remplacez les Brûleurs principaux").

Regardez à l'intérieur de chaque brûleur avec une lampe torche.

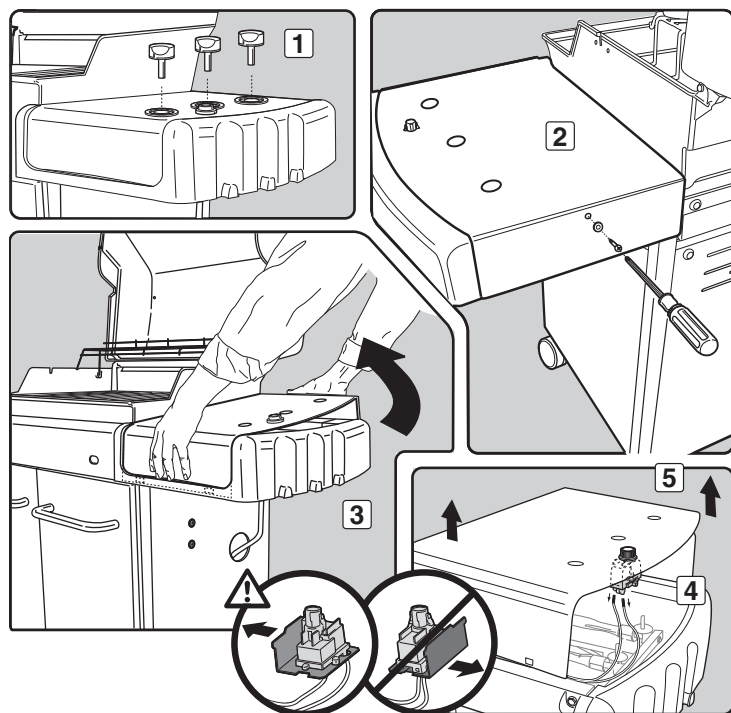
Nettoyez l'intérieur des brûleurs à l'aide d'un fil de fer (un cintre déplié fera l'affaire). Vérifiez et nettoyez les orifices des clapets d'arrivée d'air aux extrémités des brûleurs. Vérifiez et nettoyez les orifices à la base des valves. Utilisez une Brosse en fils d'acier pour nettoyer l'extérieur des brûleurs. Cela permet de s'assurer que tous les ports des brûleurs sont entièrement ouverts.

**⚠ ATTENTION : N'élargissez pas les ports des brûleurs pendant le nettoyage.**

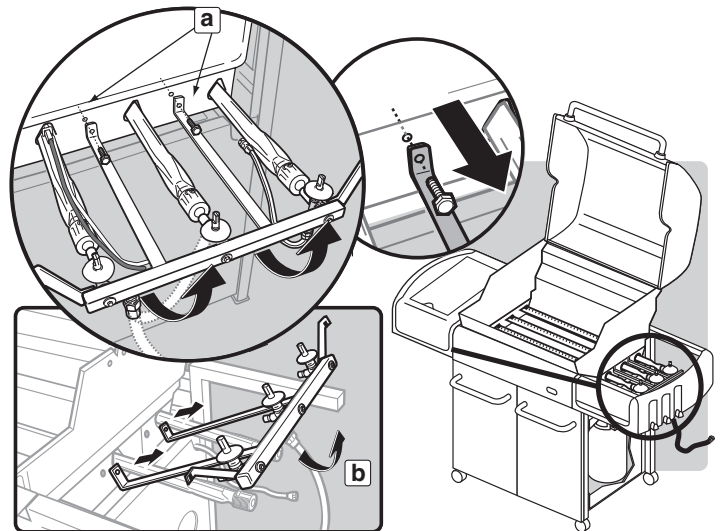


### REPLACEMENT DES BRÛLEURS PRINCIPAUX

- A) Votre barbecue à gaz Weber® doit être FERME et avoir refroidi.
- B) Fermez le gaz (OFF) à la source.
- C) Pour retirer le panneau de commande :
  - (a) Retirez les boutons de commande des brûleurs (1).
  - (b) Retirez la vis et la rondelle de l'arrière du panneau de commande à l'aide d'un tournevis cruciforme (2).
  - (c) Orientez l'extrémité arrière du panneau de commande vers le haut. Enfoncez l'extrémité avant pour dégager les languettes de verrouillage (3).
  - (d) Déconnectez les câbles de l'allumeur du module d'allumage (4).
  - (e) Retirez soigneusement le panneau de commande du coffrage (5).



- D) Retirez les deux vis hexagonales filetages de 7/16" (11 mm) (a) qui soutiennent le support du collecteur sur l'appareil de cuisson. Tirez le collecteur et la soupape vers vous, levez dans le même temps le collecteur pour relâcher les supports du collecteur du cadre. (b).

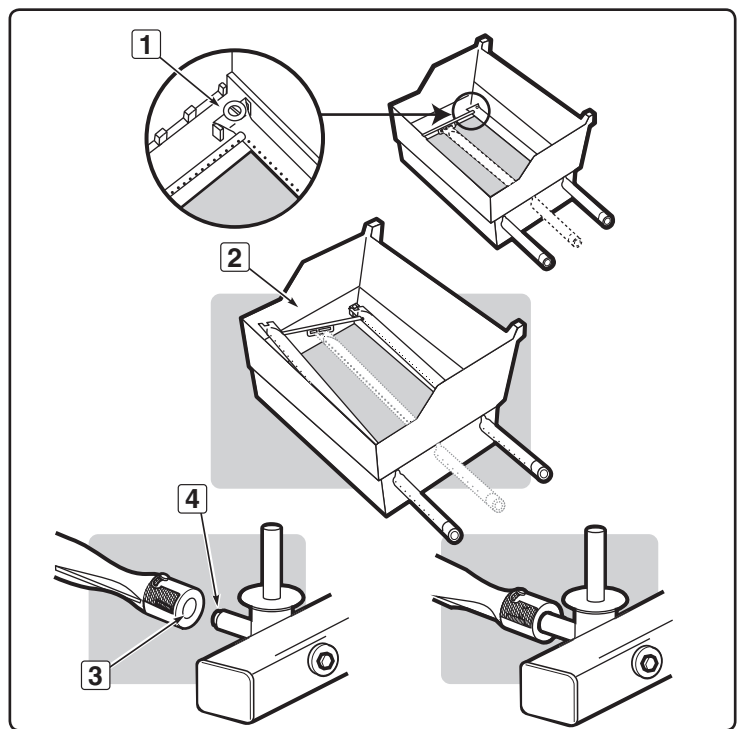


- E) Faites glisser l'ensemble du brûleur hors du dessous de la vis et de la rondelle de guidage (1) dans les coins du boîtier de cuisson.  
 F) Soulevez et faites tourner l'ensemble du brûleur légèrement, pour séparer le tube Crossover (2) des brûleurs. Retirez les brûleurs du boîtier de cuisson.  
 G) Pour remettre les brûleurs en place, inversez les étapes C) à F).

**⚠ ATTENTION : Les ouvertures du brûleur (3) doivent être correctement placées au-dessus des orifices de la valve (4).**

Vérifiez que le montage est correct avant de fixer le collecteur en place.

**⚠ MISE EN GARDE : Une fois que vous avez remis les conduites de gaz en place, vous devriez les examiner pour détecter toute fuite à l'aide d'une solution d'eau savonneuse avant d'utiliser la barbecue. (Voir l'Etape : "Détection des fuites de gaz.")**



## OPERATIONS DU SYSTEME D'ALLUMAGE CROSSOVER®

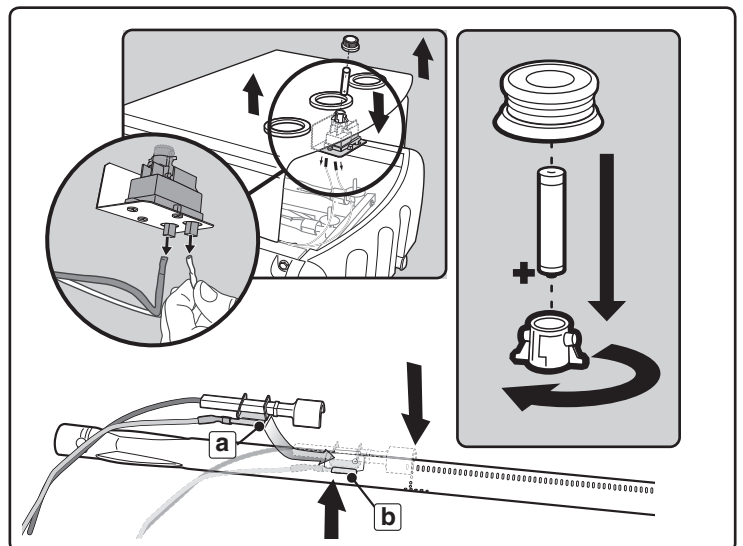
Si le dispositif d'allumage Crossover® ne parvient pas à allumer le BRULEUR 1, allumez le BRULEUR 1 avec une allumette. Si le BRULEUR 1 s'allume avec une allumette, vérifiez ensuite le Dispositif d'allumage électronique.

- Vérifiez que les deux câbles d'allumage sont correctement fixés au module d'allumage.
- Vérifiez que le câble d'allumage est correctement fixé à l'allumeur en céramique.
- Vérifiez que l'assemblage de l'allumeur en céramique (a) est entièrement positionné à l'intérieur du canal d'allumage du tube du brûleur 1 (b).
- Vérifiez que l'allumeur en céramique est correctement positionné au-dessus des trous du brûleur sur le BRULEUR 1.
- Vérifiez que le Bouton d'allumage électronique fonctionne en effectuant un contrôle auditif et visuel des étincelles au niveau du BRULEUR 1.

## REMPLACEZ LA PILE SI NECESSAIRE

Pile alcaline AAA uniquement. Voir l'illustration:

Si le Système d'allumage électronique ne s'allume pas, veuillez entrer en contact avec le Représentant du Service clientèle de votre région grâce aux coordonnées de notre site Internet. Connectez-vous sur [www.weber.com](http://www.weber.com).







**⚠ ATTENTION: This product has been safety tested and is only certified for use in a specific country. Refer to country designation located on outer carton.**

These parts may be gas carrying or gas burning components. Please contact Weber-Stephen Products Co., Customer Service Department for genuine Weber-Stephen Products Co. replacement part(s) information.

**⚠ WARNING: Do not attempt to make any repair to gas carrying, gas burning, igniter components or structural components without contacting Weber-Stephen Products Co., Customer Service Department. Your actions, if you fail to follow this Product Warning, may cause a fire, an explosion, or structural failure resulting in serious personal injury or death as well as damage to property.**

**⚠ ATENCIÓN: A este producto se le han realizado pruebas de seguridad y ha sido certificado para usarse en un país específico. Refiérase al país indicado en la parte externa del cartón de empaque.**

Estas partes pueden ser componentes que transporten gas o lo quemen. Por favor póngase en contacto con el Departamento de Atención al Cliente de Weber-Stephen Products Co. para obtener información sobre las partes de repuesto Weber-Stephen Products Co. genuinas.

**⚠ ADVERTENCIA: No trate de realizar reparación alguna a los componentes que transporten o quemen gas sin antes ponerse en contacto con el Departamento de Atención al Cliente de Weber-Stephen Products Co. Si no llegase a acatar esta advertencia, sus acciones podrían causar un fuego o una explosión que resulte en lesiones personales serias o la muerte o daños a la propiedad.**

**⚠ ATTENTION : Ce produit a fait l'objet de tests de sécurité et est certifié pour une utilisation dans un pays particulier uniquement. Vérifiez la désignation de pays située sur le carton d'emballage.**

Ces pièces peuvent contenir du gaz ou être des éléments dont la combustion produit du gaz. Veuillez consulter le Service clientèle de Weber-Stephen Products Co. pour des renseignements sur les pièces de rechange originales de Weber-Stephen Products Co.

**⚠ MISE EN GARDE : Ne tentez pas d'effectuer des réparations sur des éléments contenant du gaz ou sur des éléments dont la combustion produit du gaz sans contacter le service clientèle de Weber-Stephen Products Co.. Si vous ne suivez pas la présente Mise en garde relative au produit, vos actions risquent de provoquer un incendie ou une explosion entraînant des blessures physiques graves voire un décès ainsi que des dégâts matériels.**



WEBER-STEPHEN PRODUCTS CO.  
www.weber.com®

©2009 The following trademarks are registered in the name of Weber-Stephen Products Co., an Illinois corporation, located at 200 East Daniels Road, Palatine, Illinois 60067 U.S.A. Australia; Smokey Joe, Weber, Kettle Silhouette®, Genesis, Austria; Kettle Silhouette®, Smokey Joe, Weber, Benelux; Kettle Silhouette®, Smokey Joe, Weber, Compact Grill Configuration, Botswana; Weber, Canada; Smokey Joe, Genesis, China; Kettle Silhouette®, Denmark; Kettle Silhouette®, Smokey Joe, Weber, Finland; Smokey Joe, France; Kettle Silhouette®, Smokey Joe, Weber, One-Touch, Germany; Smokey Joe, Weber, One-Touch, Greece; Smokey Joe, Ireland; Kettle Silhouette®, Smokey Joe, Italy; Smokey Joe, Weber, Japan; Smokey Joe, Weber, Korea; Smokey Joe, Weber, New Zealand; Weber, Smokey Joe, Nigeria; Weber, Norway; Smokey Joe, Weber, Portugal; Weber, South Africa; Smokey Joe, Weber, Kettle Configuration, Spain; Smokey Joe, Weber, Sweden; Kettle Silhouette®, Smokey Joe, Switzerland; Kettle Silhouette®, Smokey Joe, Weber, United Kingdom; Smokey Joe, Weber, Weber One-Touch, U.S.A.; Kettle Configuration, Kettle Silhouette®, Smokey Joe, Weber, One-Touch, Firespice, Go-Anywhere, U.S.A.; Kettle Configuration, Kettle Silhouette, Genesis, Flavorizer, Crossover, Flamgo, Performer, Rapidfire, Tuck 'N Carry, Jumbo Joe, Bar-B-Kettle, Master-Touch, Spirit, Grill Out, Summit, Platinum, 1-800-Grill-Out, Ranch, Matchless Flame, Zimbabwe; Weber, Kettle Configuration, Kettle Silhouette®.