

This Owner's Manual is provided and hosted by [Appliance Factory Parts](http://Appliance Factory Parts).



# VIDALIA 440 Owner's Manual

[Shop genuine replacement parts for VIDALIA 440](#)



[Find Your VIDALIA Grill Parts - Select From 4 Models](#)

----- Manual continues below -----

3/4" OF GRILL SHOULD PROTRUDE ABOVE SURFACE OF DROP-IN!!

35 11/16"

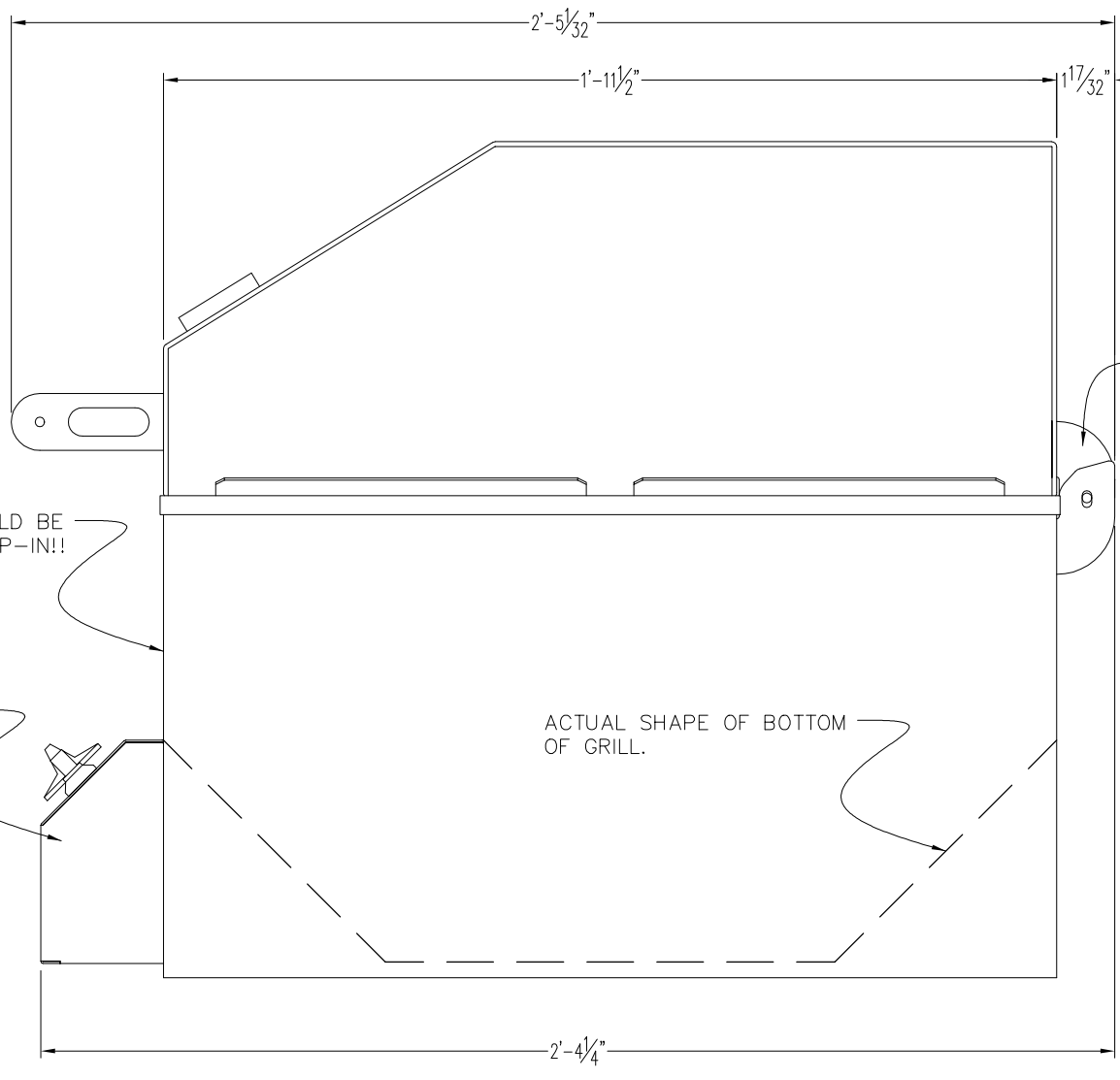
3/4"  
11 15/16"  
(DIM. TO TOP OF DROP-IN)

AIR BOX

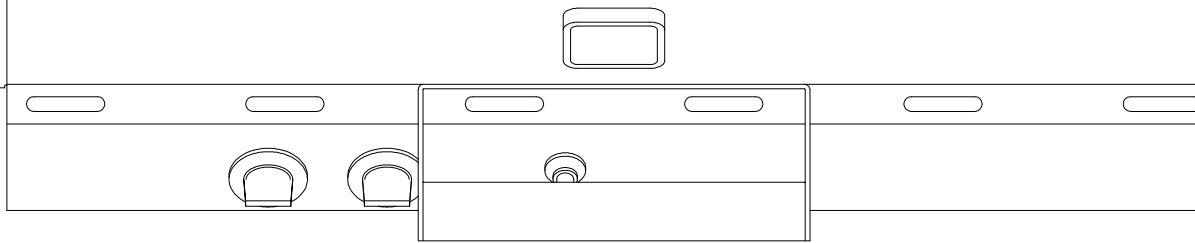
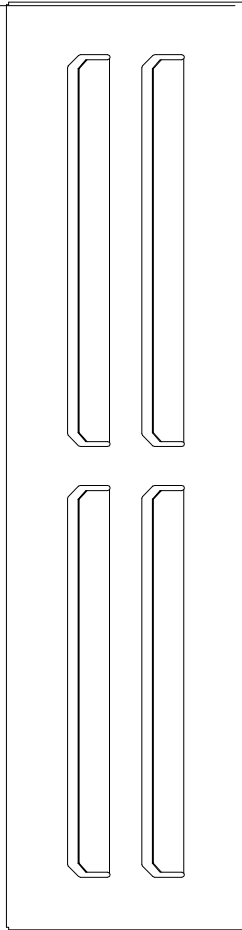
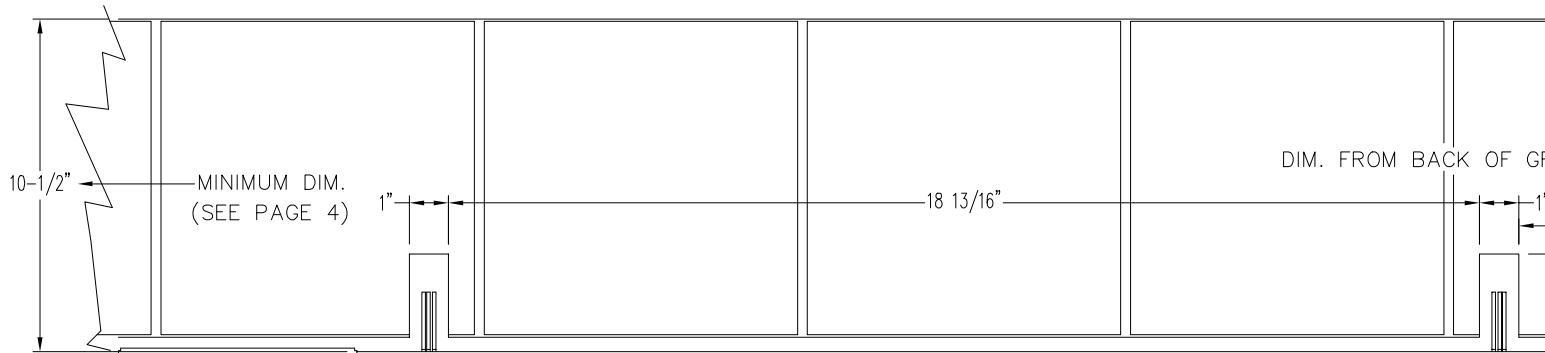
3/8"

NOTE THE 3/8" GAP FROM THE BOTTOM OF THE FACE PLATE TO THE AIR BOX. THEREFORE THE AIR BOX WILL SUPPORT THE WEIGHT OF THE GRILL. (NOTE THIS WHEN BUILDING DROP-IN AND PLACE ADEQUATE BRACES UNDER THESE!!

MODEL: 440  
PAGE 1 OF 4

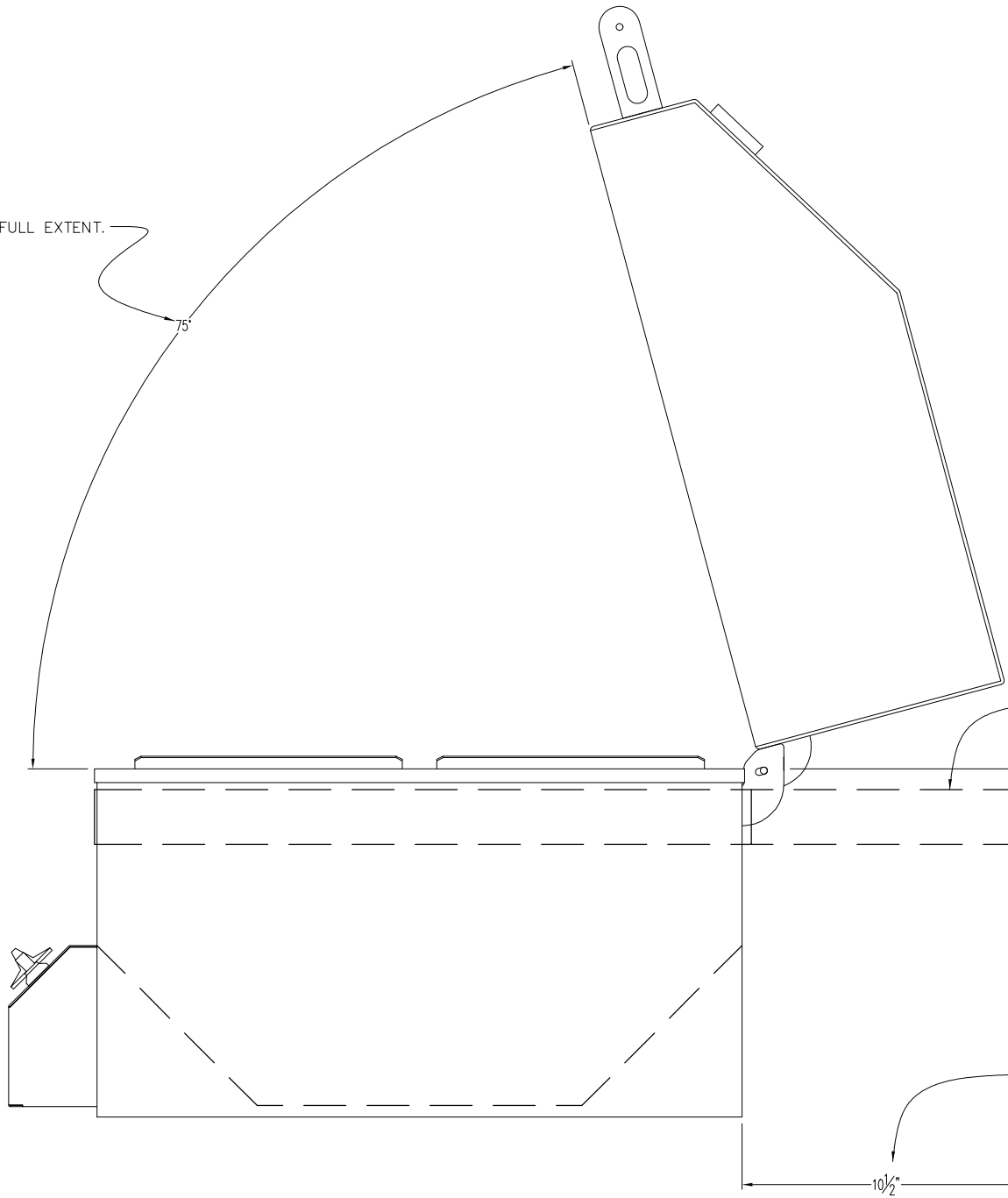


MODEL: 440  
 PAGE 2 OF 4



MODEL: 440  
PAGE 3 OF 4

LID OPEN TO FULL EXTENT.



MODEL: 440  
PAGE 4 OF 4