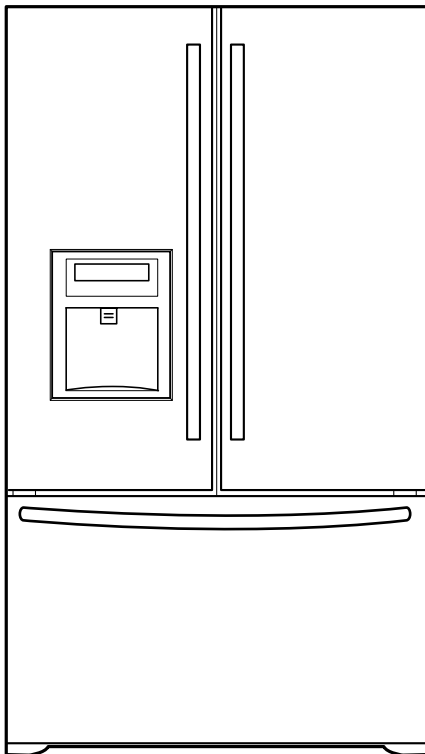




# REFRIGERATOR SERVICE MANUAL

**CAUTION**  
BEFORE SERVICING THE UNIT,  
READ THE SAFETY PRECAUTIONS IN THIS MANUAL.



**Model #s:**

795.71082.01\*  
795.71083.01\*  
795.71089.01\*

# CONTENTS

---

<b>SAFETY PRECAUTIONS</b> .....	<b>2</b>
<b>1. SPECIFICATIONS</b> .....	<b>3-4</b>
<b>2. PARTS IDENTIFICATION</b> .....	<b>5</b>
<b>3. DISASSEMBLY</b> .....	<b>6-14</b>
REMOVING AND REPLACING REFRIGERATOR DOORS .....	6
DOOR .....	7
DOOR ALIGNMENT .....	8
FAN AND FAN MOTOR(Evaporator) .....	8
DEFROST CONTROL ASSEMBLY .....	9
LAMP .....	9
MULTI DUCT .....	10
MAIN PWB .....	10
DISPENSER .....	10
DISPLAY PWB REPLACEMENT .....	10
FUNNEL REPLACEMENT .....	10
SUB PWB FOR DISPENSER .....	11
DUCT DOOR REPLACEMENT .....	11
ICE CORNER DOOR REPLACEMENT .....	11
ICEMAKER ASSEMBLY .....	11
AUGER MOTOR COVER .....	12
HOW TO REMOVE A DOOR ICE BIN .....	13
HOW TO INSERT A DOOR ICE BIN .....	13
HOW TO REMOVE AND REINSTALL THE PULLOUT DRAWER .....	14-15
WATER VALVE DISASSEMBLY METHOD .....	16
FAN AND FAN MOTOR DISASSEMBLY METHOD .....	16
PULL OUT DRAWER .....	17
<b>4. ADJUSTMENT</b> .....	<b>18-19</b>
COMPRESSOR .....	18
PTC-STARTER .....	18
OLP(OVERLOAD PROTECTOR) .....	19
TO REMOVE THE COVER PTC .....	19
<b>5. CIRCUIT DIAGRAM</b> .....	<b>20</b>
<b>6. TROUBLESHOOTING</b> .....	<b>21-25</b>
<b>7. OPERATION PRINCIPLE AND REPAIR METHOD OF ICEMAKER</b> .....	<b>26-28</b>
<b>8. DESCRIPTION OF FUNCTION &amp; CIRCUIT OF MICOM</b> .....	<b>29-45</b>

# SAFETY PRECAUTIONS

---

Please read the following instructions before servicing your refrigerator.

1. Unplug the power before handling any electrical components.
2. Check the rated current, voltage, and capacity.
3. Take caution not to get water near any electrical components.
4. Use exact replacement parts.
5. Remove any objects from the top prior to tilting the product.

# 1. SPECIFICATIONS

## 1-1 DISCONNECT POWER CORD BEFORE SERVICING IMPORTANT - RECONNECT ALL GROUNDING DEVICES

All parts of this appliance capable of conducting electrical current are grounded. If grounding wires, screws, straps, clips, nuts or washers used to complete a path to ground are removed for service, they must be returned to their original position and properly fastened.

## 1-2 IMPORTANT NOTICE

This information is intended for use by individuals possessing adequate backgrounds of electrical, electronic and mechanical experience. Any attempt to repair a major appliance may result in personal injury and property damage. The manufacturer or seller cannot be responsible for the interpretation of this information, nor can it assume any liability in connection with its use.

## 1-3 ELECTRICAL SPECIFICATIONS

Temperature Control (Freezer Compartment) .. -6°F to +8°F  
 Defrost Control .....Total Comp Running Time: 7 hrs~50 hrs  
 Defrost Thermostat ..... 46°F  
 Electrical Rating : 115VAC, 60Hz ..... 7.2 A  
 Maximum Current Leakage ..... 0.5 mA  
 Maximum Ground Path Resistance ..... 0.14 Ohms  
 Energy Consumption ..... 21 cu.ft. 527 (E/STAR)  
 ..... 25 cu.ft. 547 (E/STAR)

## 1-4 NO LOAD PERFORMANCE CONTROL POSITION : MID/MID

And Ambient of : ..... 70°F ..... 90°F  
 Fresh Food, °F ..... 33°F to 41°F ..... 33°F to 41°F  
 Frozen Food, °F ..... -4°F to +4°F ..... -4°F to +4°F  
 Percent Running Time ..... 35%-45% ..... 50°F-70°F

## 1-5 REFRIGERATION SYSTEM

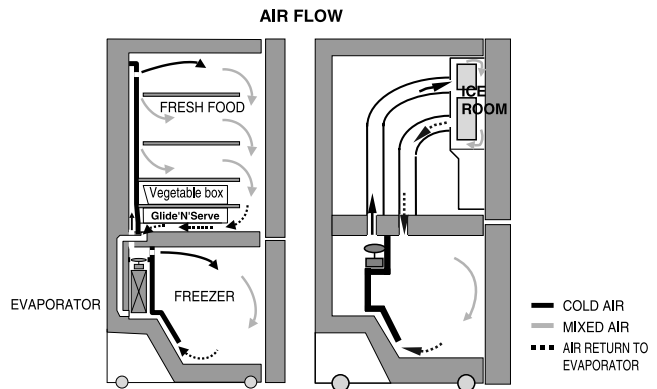
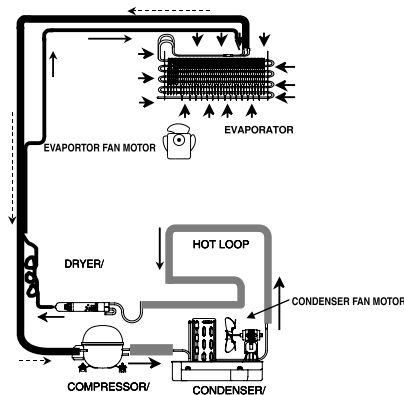
Minimum Compressor Capacity Vacuum ..... 21 MIN.  
 Minimum Equalized Pressure  
     @ 70°F ..... 49 PSIG  
     @ 90°F ..... 56 PSIG  
 Refrigerant R134a ..... 5.11 oz.  
 Compressor ..... 956 BTU/hr

## 1-6 INSTALLATION

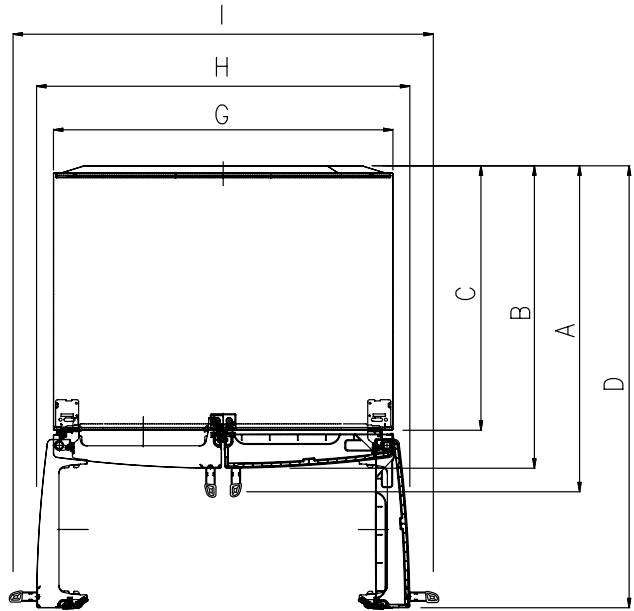
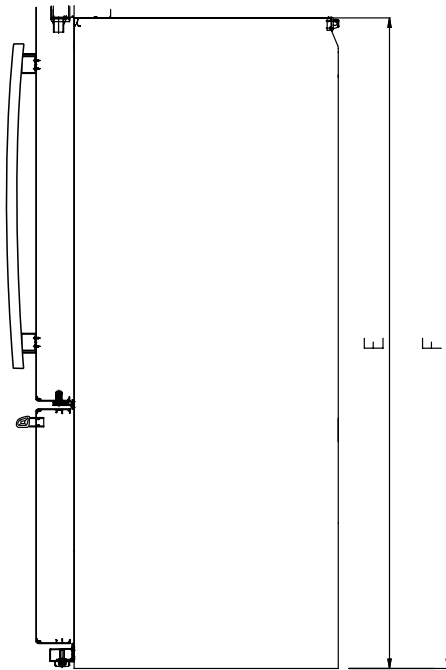
Clearance must be provided at top, sides and rear of the refrigerator for air circulation.  
 AT REAR ..... 1 in

## 1-7 REPLACEMENT PARTS

	21 cuft
	795.71082.01*
	795.71083.01*
	795.71089.01*
Relay .....	EBG60658602
Overload .....	6750C-0004U
Defrost Thermostat .....	6615JB2005H
Defrost Heater .....	5300JK1005D
Evaporator Fan Motor .....	4681JB1027C
	(4681JK1004E)
Capacitor (Running) .....	0CZZJB2014K
	(0CZZJB2012K)
Compressor (Hi-Side) .....	TCA34632301
Evaporator (Lo-Side) .....	5421JJ1003B
Condenser .....	ACG72915201
Dryer .....	5851JA2007E
Condenser Fan Motor .....	4681JB1029D
Temperature Control .....	ACQ36820506(SW)
	ACQ36820507(WB)
	ACQ36820508(BI)
	ACQ36820509(STS)
	ACQ36820510(BS)
Main Control .....	EBR41956436
Ice Fan Motor .....	4681JB1027E

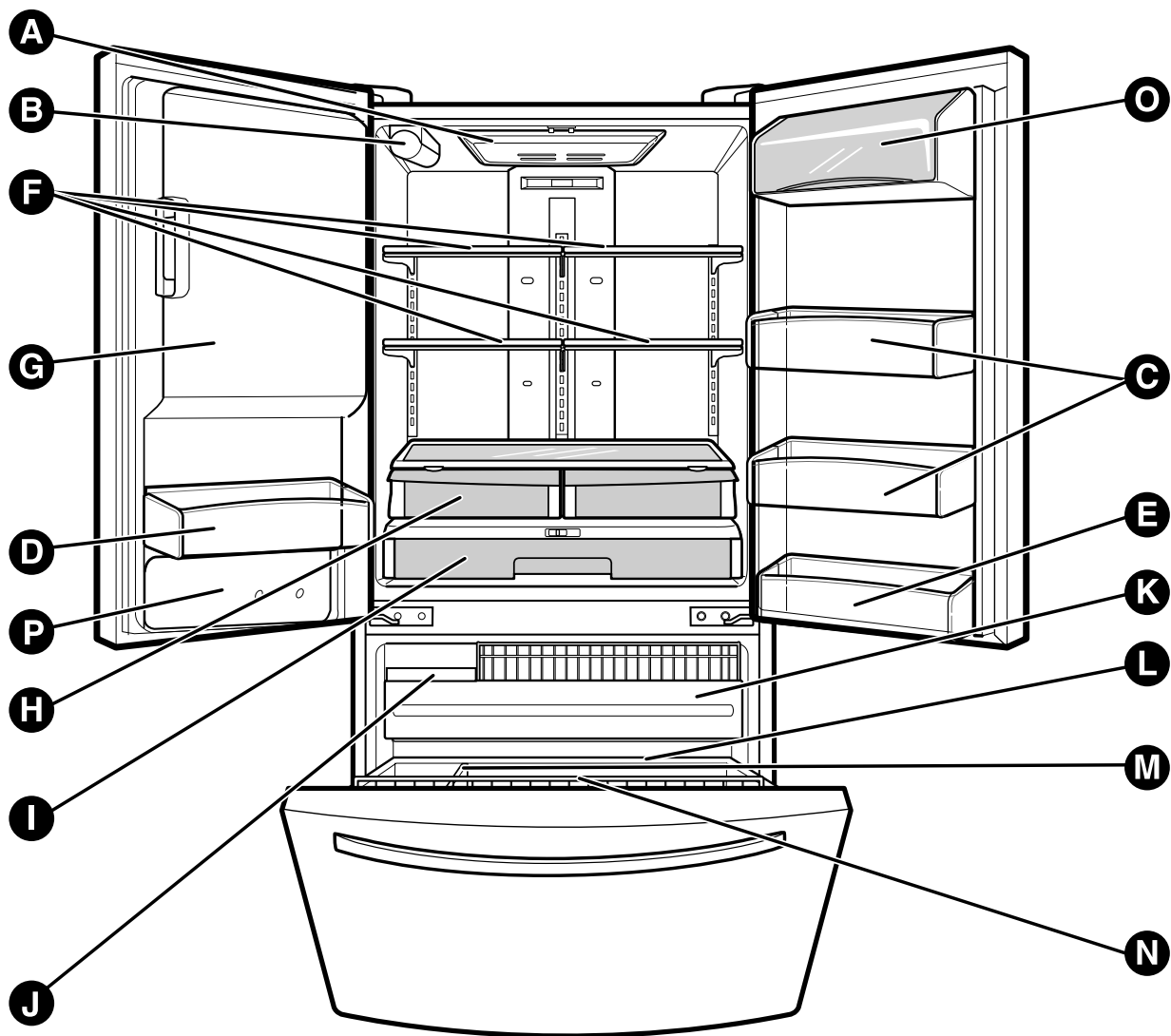


## 1-8 AIR FLOW / CIRCULATION D' AIR



Description		795.71082.01*
Depth w/ Handles	A	30 in.
Depth w/ o Handles	B	27 1/2 in.
Depth w/ o Door	C	23 5/8 in.
Depth (Total with Door Open)	D	42 1/4 in.
Height to Top of Case	E	68 3/8 in.
Height to Top of Door Hinge	F	69 3/4 in.
Width	G	35 3/4 in.
Width (door open 90 deg. w/o handle)	H	39 1/4 in.
Width (door open 90 deg. w/ handle)	I	44 1/4 in.

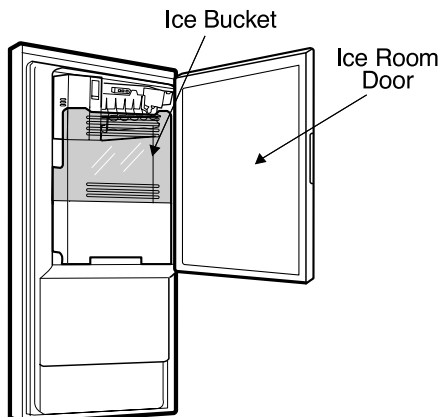
## 2. PARTS IDENTIFICATION



Use this page to become more familiar with the parts and features. Page references are included for your convenience.

**NOTE :** This guide covers several different models. The refrigerator you have purchased may have some or all of the items listed below. The locations of the features shown below may not match your model.

- |                                                 |                               |
|-------------------------------------------------|-------------------------------|
| <b>A</b> Refrigerator Light                     | <b>K</b> Pull out Drawer      |
| <b>B</b> Filter (Inside)                        | <b>L</b> Durabase             |
| <b>C</b> Modular Door Bins                      | <b>M</b> Divider              |
| <b>D</b> Fixed door bin                         | <b>N</b> Tilt-Out Door Basket |
| <b>E</b> Fixed door bin                         | <b>O</b> Dairy Bin            |
| <b>F</b> Refrigerator Shelves                   | <b>P</b> Water Tank Cover     |
| <b>G</b> Ice Room<br>(Ice Maker and Ice Bucket) |                               |
| <b>H</b> Humidity Controlled Crisper            |                               |
| <b>I</b> Glide'N'Serve                          |                               |
| <b>J</b> Extra Ice Bin                          |                               |



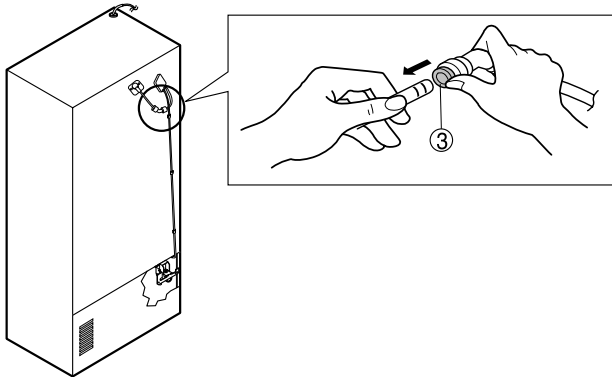
# 3. DISASSEMBLY

## 3-1 REMOVING AND REPLACING REFRIGERATOR DOORS

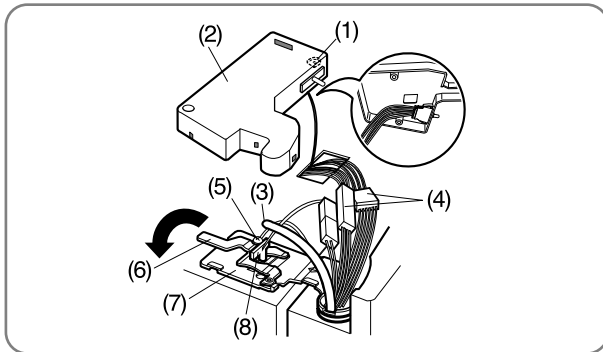
### To remove the left refrigerator door:

Pull the water tube out of the fitting while pressing the release ring on the fitting.

When you pull out the tube, first you have to push the collet by opposite direction of arrow in the upper picture and tube pull out by direction of arrow.



**CAUTION** : Before you begin, remove food and bins from the doors.

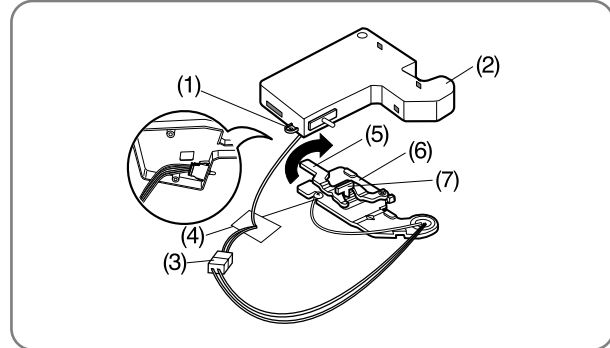


- Open the door. Remove the top hinge cover screw (1).
- Use a flat-head screwdriver to pry back the hooks (not shown) on the front underside of the cover (2). Lift up the cover.
- Remove the cover. Pull out the tube (3).
- Disconnect all the wire harnesses (4).
- Remove the grounding screw(5)
- Rotate hinge lever (6) counterclockwise and remove. Lift the top hinge (7) free of the hinge lever latch (8).

**IMPORTANT** : When lifting the hinge free of the latch, be careful that the door does not fall forward.

- Lift the door from the middle hinge pin and remove the door.
- Place the door, inside facing up, on a nonscratching surface.

### To remove the right refrigerator door:



- Open the door. Remove the top hinge cover screw (1). Lift up the cover (2).
- Remove the cover.
- Disconnect the wire harness (3).
- Remove the grounding screw (4).
- Rotate the hinge lever (5) clockwise and remove. Lift the top hinge (6) free of the hinge lever latch (7).

**IMPORTANT** : When lifting the hinge free of the latch, be careful that the door does not fall forward.

## **! WARNING**

### **Explosion Hazard**

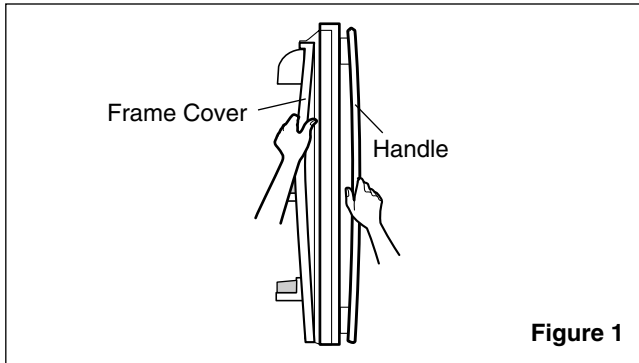
- Disconnect electrical supply to the refrigerator before installing. Failure to do so could result in death or serious injury.
- Do not put hands or feet or other objects into the air vents, base grille, or bottom of the refrigerator. You may be injured or receive an electrical shock.
- Be careful when you work with the hinge, base grille, and stopper. You may be injured.

## 3-2 DOOR

### ● Door Gasket Removal

#### 1. Remove door frame cover

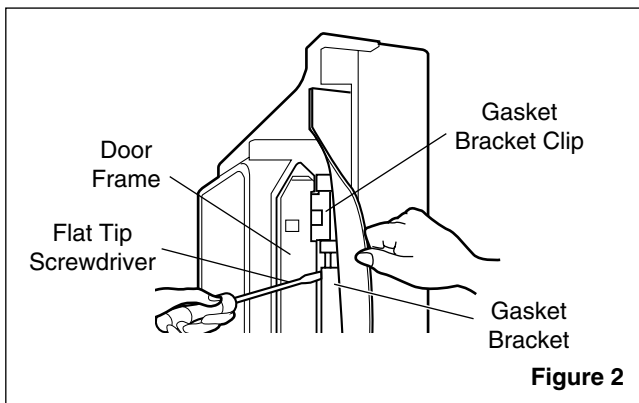
Starting at top of cover and working down, snap cover out and away from door.



#### 2. Remove gasket bracket clips

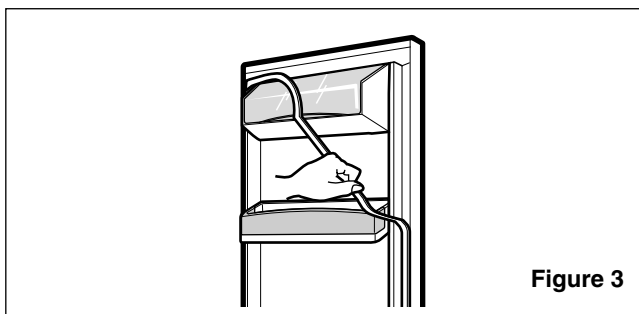
There are two clips on each door. Start bracket removal near one of the middle clips.

- 1) Pull gasket back to expose gasket bracket clip and door frame.
- 2) Insert a flat tip screwdriver into seam between gasket bracket and door frame and pry back until clips snap out.
- 3) Continue prying back along seam until all clips snap out.



#### 3. Remove gasket

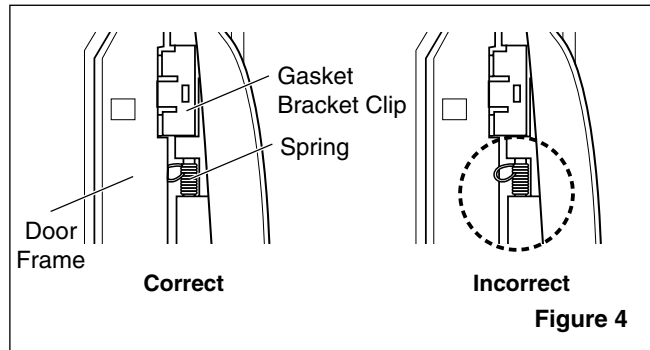
Pull gasket free from gasket channel on the three remaining sides of door.



### ● Door Gasket Replacement

#### 1. Insert gasket bracket clips

- 1) Insert gasket bracket edge beneath door frame edge.
- 2) Turn upper gasket bracket spring so that the spring ends are in the door channel.
- 3) Push in clip until you hear it snap securely into place.



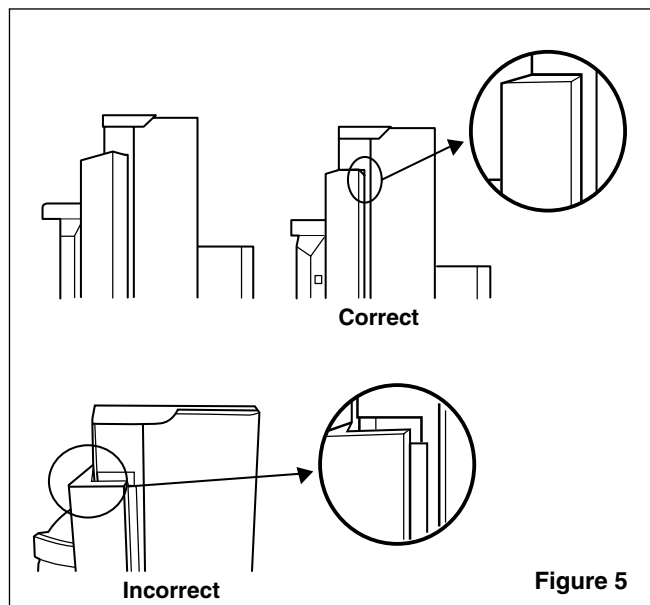
- 4) Push in remaining clip until you hear it snap securely into place.

**Note :** Make sure that no part of gasket bracket edge protrudes from beneath door frame edge.

#### 2. Insert gasket into channel

- 1) Snap gasket assembly into the door bracket.

**<Inserting the Gasket Assembly into the Bracket Door>**



- 2) Press gasket into channels on the three remaining sides of door.

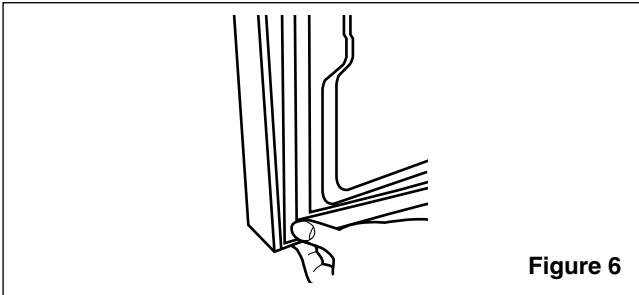


Figure 6

### 3. Replace door frame cover

Starting at top of cover and working down, snap cover back into door.

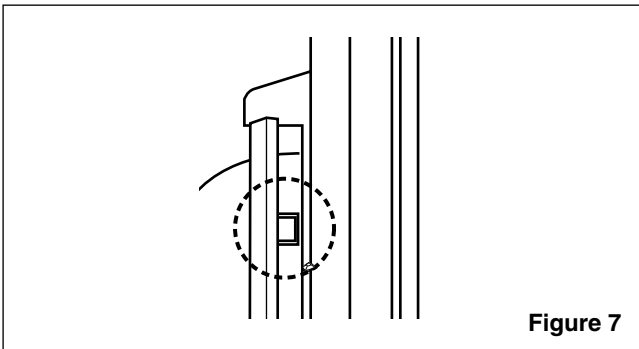


Figure 7

### 3-3 DOOR ALIGNMENT

If the space between your doors is uneven, follow the instructions below to align the doors :

1. With one hand, lift up the door you want to raise at middle hinge.
2. With other hand, use pliers to insert snap ring as shown.
3. Insert additional snap rings until the doors are aligned. (Three snap rings are provided with unit.)

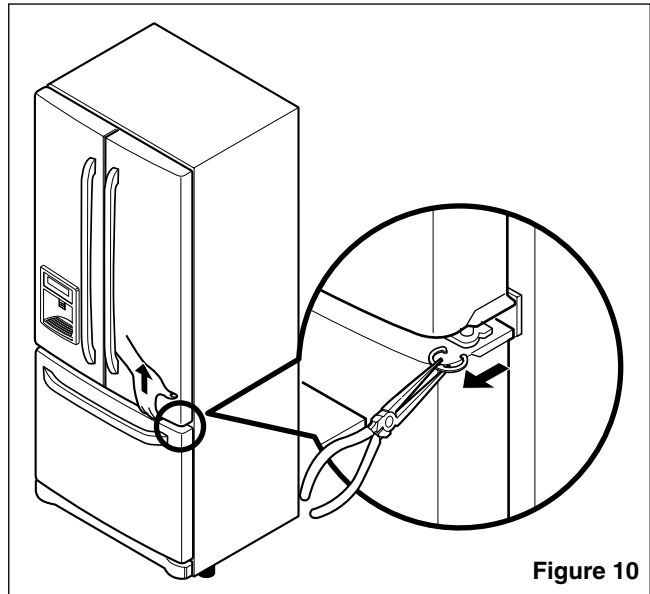


Figure 10

### 3-4 FAN AND FAN MOTOR(EVAPORATOR)

1. Remove the freezer shelf. (If your refrigerator has an icemaker, remove the icemaker first)
2. Remove the plastic guide for slides on left side by unscrewing phillips head screws.
3. Remove the grille by removing one screw and pulling the grille forward.
4. Remove the Fan Motor assembly by loosening 2 screws and disassembling the shroud.
5. Pull out the fan and separate the Fan Motor and Bracket.

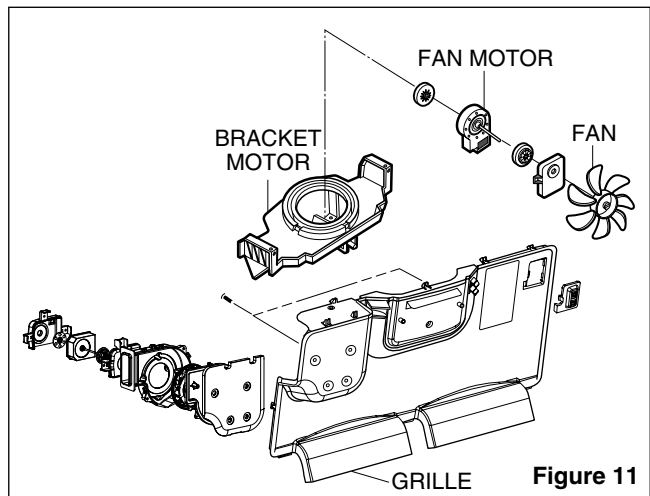
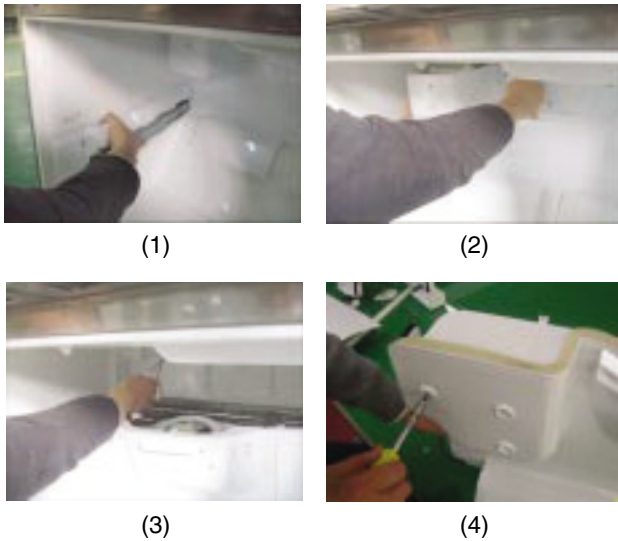


Figure 11



**\* Ice Fan Scroll Assembly Replacement**

- 1) Remove the plastic guide for slides on left side by unscrewing phillips head screws.
- 2) Pull the grille forward as shown in the second picture.
- 3) Disconnect wire harness of the grille.
- 4) Remove the scroll assembly by loosening all screws.

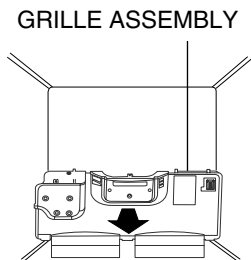


**3-5 DEFROST CONTROL ASSEMBLY**

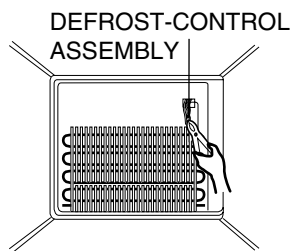
Defrost Control assembly consists of Defrost Sensor and FUSE-M.

The Defrost Sensor works to defrost automatically. It is attached to the metal side of the Evaporator and senses its temperature. At 46°F (8°C), it turns the Defrost Heater off. Fuse-M is a safety device for preventing over-heating of the Heater when defrosting.

1. Pull out the grille assembly. (Figure 10)
2. Separate the connector with the Defrost Control assembly and replace the Defrost Control assembly after cutting the Tie Wrap. (Figure 11)



**Figure 10**



**Figure 11**

**3-6 LAMP**

Unplug Refrigerator, or disconnect power at the circuit breaker.

If necessary, remove top shelf or shelves.

**3-6-1 Refrigerator Compartment Lamp**

- 1) Release 2 screws.
- 2) Hold both ends with your both hands and pull it downward to remove it.
- 3) Use a flat tool as shown below to remove the cover lamp.



**Figure 12**

- 4) As shown below, use a flat tool to remove the cover lamp.



**Figure 13**



Cover, Lamp

LED, Assembly Case Lamp

**Figure 14**

**3-6-2 Freezer Compartment Lamp**

1. Unplug refrigerator power cord from outlet.
2. Remove screw with driver.
3. Grasp the cover Lamp, pull the cover downward.



**Figure 15**

### 3-7 MULTI DUCT

1. Remove the upper and lower Caps by using a flat screwdriver, and remove 2 screws. (Figure 17)
2. Disconnect the lead wire on the bottom position.

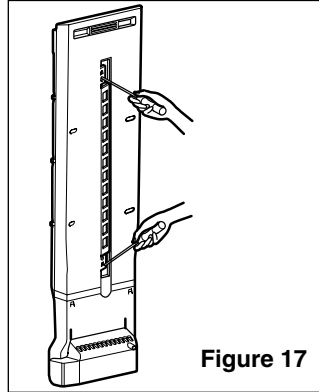


Figure 17

- 2) Hold the left and right side of the “Cover Assembly, dispenser” as shown in the picture, and pull and remove it. The cover dispenser is attached with a hook.



- ⚠ CAUTION :** When replacing the dispenser cover in the reverse order of removal, be careful that the lead wire does not come out and the water tube is not pinched by the dispenser cover, as shown in the picture below.

### 3-8 MAIN PWB

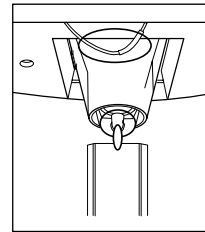
- 1) Loosen the 4 screws on the PWB cover.



- 2) Remove the PWB cover



- 3) Disconnect wire harness and replace the main PWB in the reverse order of removal.



### 3-10 DISPLAY PWB REPLACEMENT

- 1) Pull up and out on the dispenser cover to remove.



- 2) Follow the steps in the pictures



### 3-9 DISPENSER

- 1) Disconnect funnel and button assembly by pulling down and forward.



### 3-11 FUNNEL REPLACEMENT

- 1) Pull up and out on the dispenser cover to remove.
- 2) Disconnect the wire harness.
- 3) Replace in reverse order.

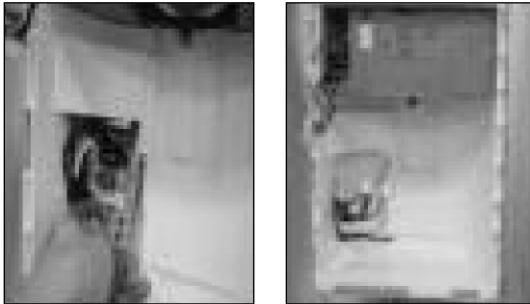


### 3-12 SUB PWB FOR WORKING DISPENSER

- 1) Loosen the screw on the sub PWB.

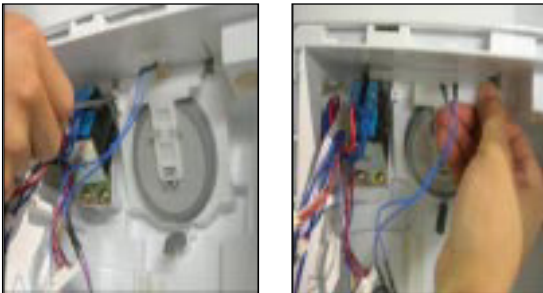


- 2) Pull the sub PWB down.
- 3) Disconnect the wire harness and replace the sub PWB in the reverse order of removal.



### 3-13 DUCT DOOR REPLACEMENT

- 1) Pull up and out on the dispenser cover to remove.
- 2) Disconnect the wire harness.
- 3) Remove the funnel
- 4) Replace in reverse order.



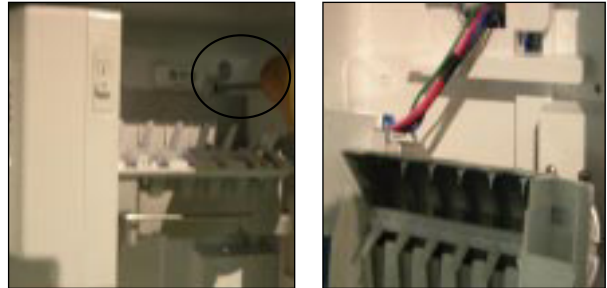
### 3-14 ICE CORNER DOOR REPLACEMENT

- 1) Loosen the front screw as shown in the picture.
- 2) Lift up the hinge with one hand.
- 3) Pull out the Ice Corner Door with the other hand.



### 3-15 ICEMAKER ASSEMBLY

- 1) Loosen two screws as shown in the first picture.



- 2) Disconnect the wire harness & ground screw replace the icemaker assembly in the reverse order of removal.



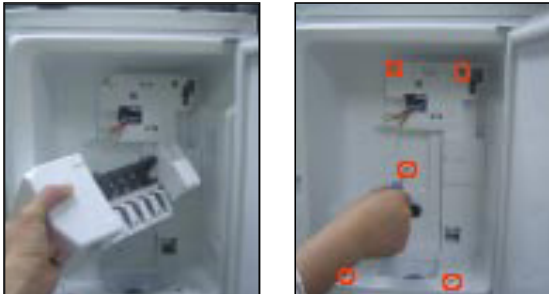
- 3) It separates a ground connection screw.



---

### 3-16 AUGER MOTOR COVER

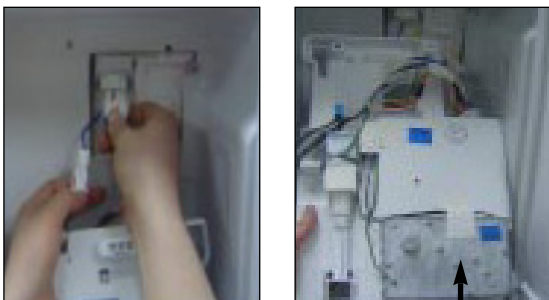
- 1) After removing the icemaker remove the (5) stainless screws holding the auger motor cover, shown in the pictures below.



- 2) Grip the bottom of motor cover assembly and pull out it.



- 3) Disconnect wire harness of motor cover assembly. There is a auger motor on the back, as shown in the picture.



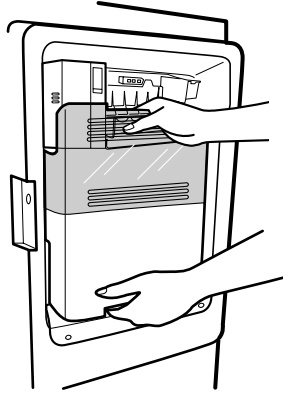
Auger Motor



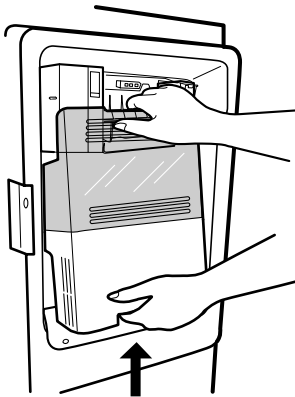
Icemaker Power &  
Full detection Signal

### 3-17 HOW TO REMOVE A DOOR ICE BIN

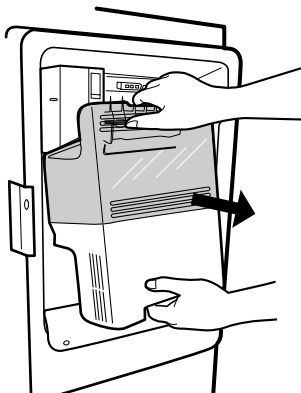
1) Grip the handles, as shown in the picture.



2) Lift the lower part slightly.

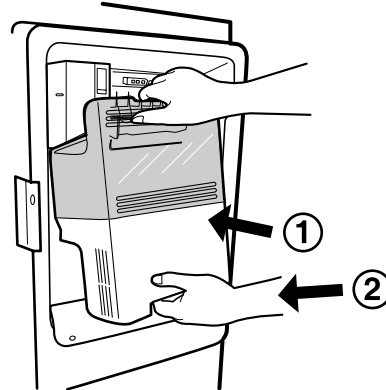


3) Take the Ice Bin out slowly.

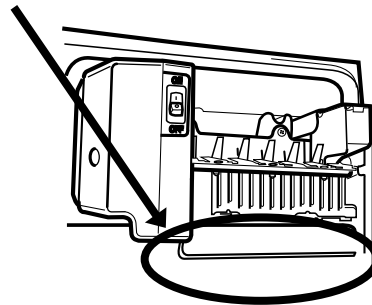


### 3-18 HOW TO INSERT A DOOR ICE BIN

1) Insert the Ice Bin, slightly tilting it to avoid touching the ice maker. (especially, ice maker lever)



※ Insert the ice bucket carefully avoid contacting the automatic shut off arm.



---

### 3-19 HOW TO REMOVE AND REINSTALL THE PULLOUT DRAWER

#### 3-19-1 Follow Steps to Remove

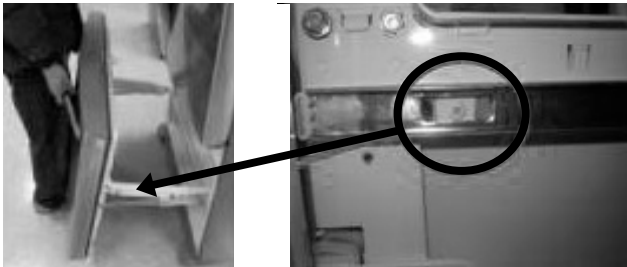
Step 1) Open the freezer door.



Step 2) Remove the lower basket.



Step 3) Remove the two screws from the guide rails (one from each side).



Step 4) Lift the freezer door up to unhook it from the rail support and remove. Pull both rails to full extension.

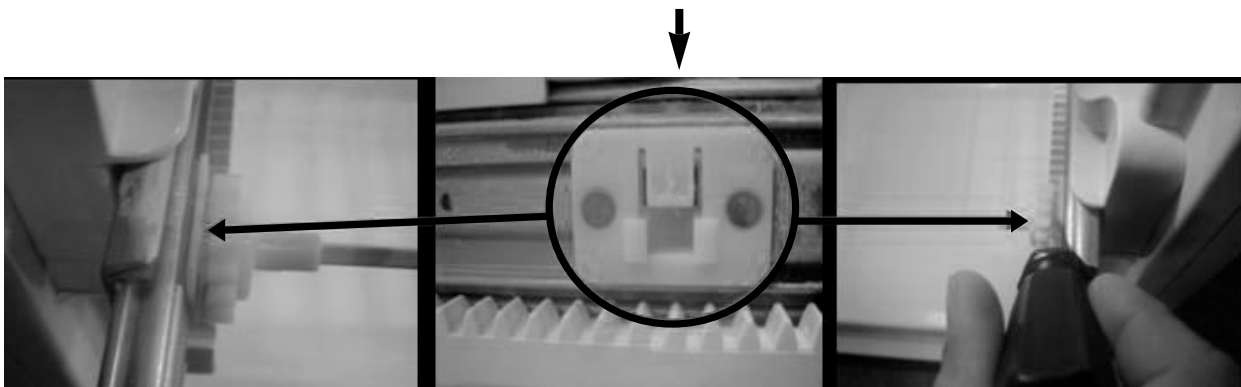


Step 5) First: Remove the gear from the left side first by releasing the tab behind the gear, place a screwdriver between the gear and the tab and pull up on the gear.

Second: Remove the center rail.

Third: Remove the gear from the right side by following the same steps for the left side.

**NOTE : THIS TAB MUST BE PUSHED IN TO RELEASE THE GEAR.**



---

### 3-19-2 Follow Steps to Reinstall

Step 1) Reinstall the right side gear into the clip.



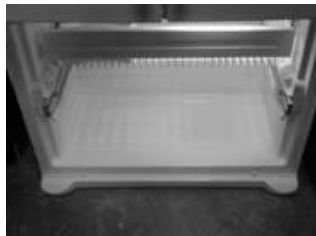
Step 2) Insert the rail into the right side gear. Gears do **not** need to be perpendicular to each other.



Step 3) Insert the rail into the left side gear, and insert the gear into the clip.



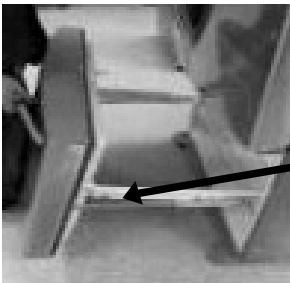
Step 4) The rail system will align itself by pushing the rails all the way into the freezer section. Pull the rails back out to full extension.



Step 5) Reinstall the freezer door by inserting the rail tabs into the guide rail.



Step 6) Reinstall the two screws into the guide rails (one from each side).



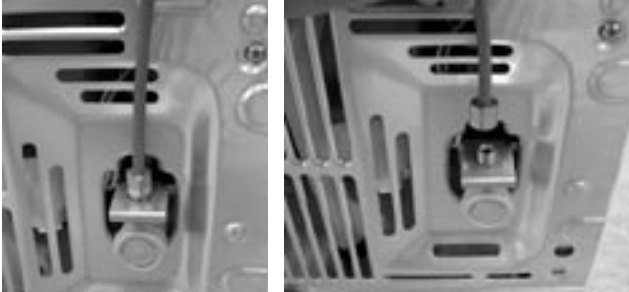
Step 7) Reinstall the lower basket, and close the freezer door.



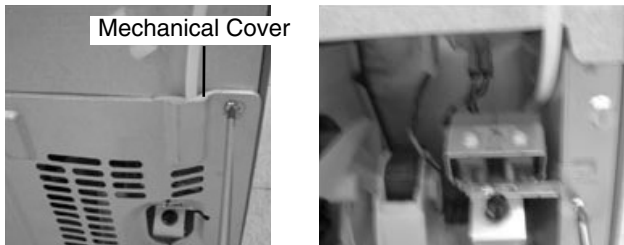


### 3-20 WATER VALVE DISASSEMBLY METHOD

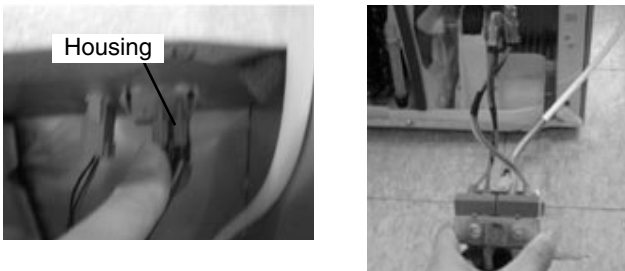
- 1) Turn off the water. Then separate the water line from the valve.



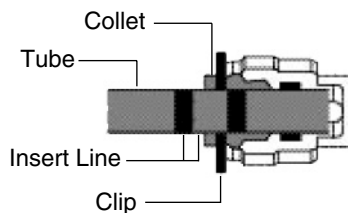
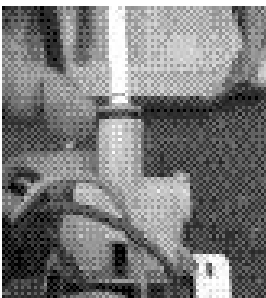
- 2) Separate the Mechanical Cover and Valve Screw.



- 3) Separate the housing and pull out the valve.

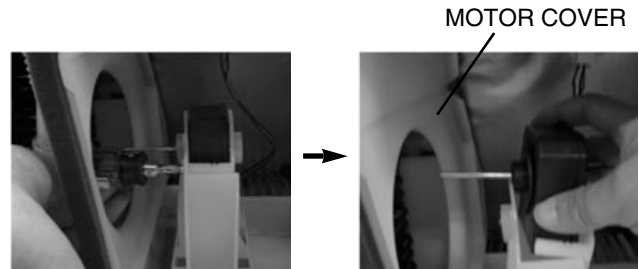


- 4) Lay a dry towel on the floor and get ready to spill water from the water filter. Pull out the Cilp. Then press te collet to separate the tube from the connector and pour out the water until emptied.

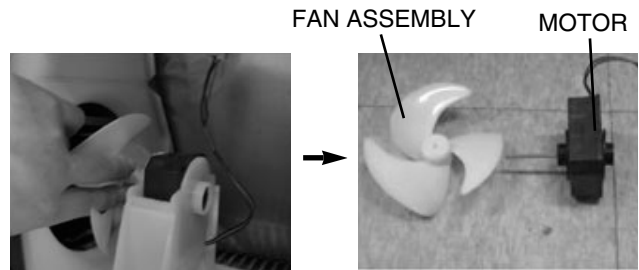


### 3-21 FAN AND FAN MOTOR DISASSEMBLY METHOD

- 1) Using a short screwdriver, loosen one SCREW in DRAIN PIPE ASSEMBLY and one connected to the MOTOR COVER.



- 2) Pull and separate the FAN ASSEMBLY and MOTOR turning counterclockwise based on the MOTOR SHAFT.



The assembly is in the reverse order of the disassembly and take special care for the following details.

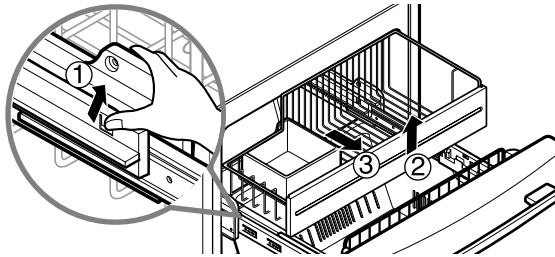
1. Be careful not to bend the tube during assembly.
2. Press the WATER DISPENSER button until water pours out and check for leakage in the CONNECTOR TUBE (It differs by the water pressure but usually takes about 2 minutes until water pours out.)



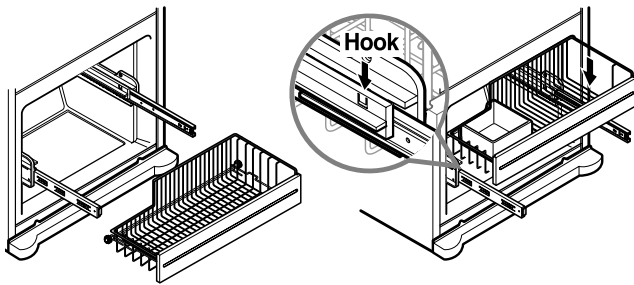
---

### 3-22 PULL OUT DRAWER

To separate the drawer, push the front left and right hooks in ① direction to pull up and remove. Then gently lift the gear part of rear left and right side of the drawer and pull it out in ③ direction.



To install, reposition the gear part of rear left and right side of the drawer after pulling out both rails as much as possible, and gently push down both left and right side while checking the hook on the front part.



# 4. ADJUSTMENT

## 4-1 COMPRESSOR

### 4-1-1 Role

The compressor intakes low temperature and low pressure gas from the evaporator of the refrigerator and compresses this gas to high-temperature and high-pressure gas. It then delivers the gas to the condenser.

### 4-1-2 Composition

The compressor includes overload protection. The PTC starter and OLP (overload protector) are attached to the outside of the compressor. Since the compressor is manufactured to tolerances of 1 micron and is hermetically sealed in a dust and moisture-free environment, use extreme caution when performing repairs.

### 4-1-3 Note for Usage

- (1) Be careful not to allow over-voltage and over-current.
- (2) If compressor is dropped or handled carelessly, poor operation and noise may result.
- (3) Use proper electric components appropriate to the Particular Compressor in your product.
- (4) Keep Compressor dry.  
If the Compressor gets wet (in the rain or a damp environment) and rust forms in the pin of the Hermetic Terminal, poor operation and contact may result.
- (5) When replacing the Compressor, be careful that dust, humidity, and soldering flux don't contaminate the inside of the compressor. Dust, humidity, and solder flux contaminate the cylinder and may cause noise, improper operation or even cause it to lock up.

## 4-2 PTC-STARTER

### 4-2-1 Composition of PTC-Starter

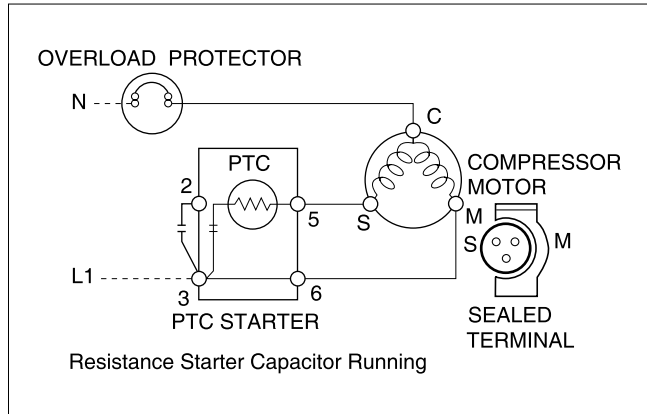
- (1) PTC (Positive Temperature Coefficient) is a no-contact semiconductor starting device which uses ceramic material consisting of  $BaTiO_3$ .
- (2) The higher the temperature is, the higher the resistance value. These features are used as a starting device for the Motor.

### 4-2-2 Role of PTC-Starter

- (1) The PTC is attached to the Sealed Compressor and is used for starting the Compressor Motor.
- (2) The compressor is a single-phase induction motor. The starting operation, the PTC allows current flow to both the start winding and main winding.

### 4-2-3 PTC-Applied Circuit Diagram

#### ● Starting Method for the Motor



### 4-2-4 Motor Restarting and PTC Cooling

- (1) It requires approximately 5 minutes for the pressure to equalize before the compressor can restart.
- (2) The PTC device generates heat during operation. Therefore, it must be allowed to cool before the compressor can restart.

### 4-2-5 Relation of PTC-Starter and OLP

- (1) If the compressor attempts to restart before the PTC device is cooled, the PTC device will allow current to flow only to the main winding.
- (2) The OLP will open because of the over current condition. This same process will continue (3 to 5 times) when the compressor attempts to restart until the PTC device has cooled. The correct OLP must be properly attached to prevent damage to the compressor. Parts may appear physically identical but could have different electrical ratings. Replace parts by part number and model number. Use only approved substitute parts.

### 4-2-6 Note for Using the PTC-Starter

- (1) Be careful not to allow over-voltage and over-current.
- (2) Do not drop or handle carelessly.
- (3) Keep away from any liquid.  
If liquid such as oil or water enters the PTC, PTC materials may fail due to breakdown of their insulating capabilities.
- (4) If the exterior of the PTC is damaged, the resistance value may be altered. This can cause damage to the compressor and result in a no-start or hard-to-start condition.
- (5) Always use the PTC designed for the compressor and make sure it is properly attached to the compressor. Parts may appear physically identical but could have different electrical ratings. Replace parts by part number and model number. Use only approved substitute parts.

### 4-3 OLP (OVERLOAD PROTECTOR)

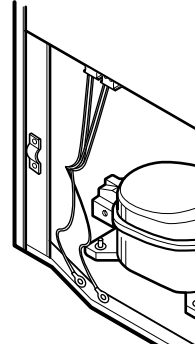
#### 4-5-1 Definition of OLP

- (1) OLP (OVERLOAD PROTECTOR) is attached to the Compressor and protects the Motor by opening the circuit to the Motor if the temperature rises and activating the bimetal spring in the OLP.
- (2) When high current flows to the Compressor motor, the Bimetal works by heating the heater inside the OLP, and the OLP protects the Motor by cutting off the current flowing to the Compressor Motor.

#### 4-5-2 Role of the OLP

- (1) The OLP is attached to the Sealed Compressor used for the Refrigerator. It prevents the Motor Coil from being started in the Compressor.
- (2) For normal operation of the OLP, do not turn the Adjust Screw of the OLP in any way.

### 4-4 TO REMOVE THE COVER PTC



- (1) Remove the Cover Back M/C.
- (2) Disconnect two housing upper side of comp connected in.
- (3) Loosen two screws on comp base.

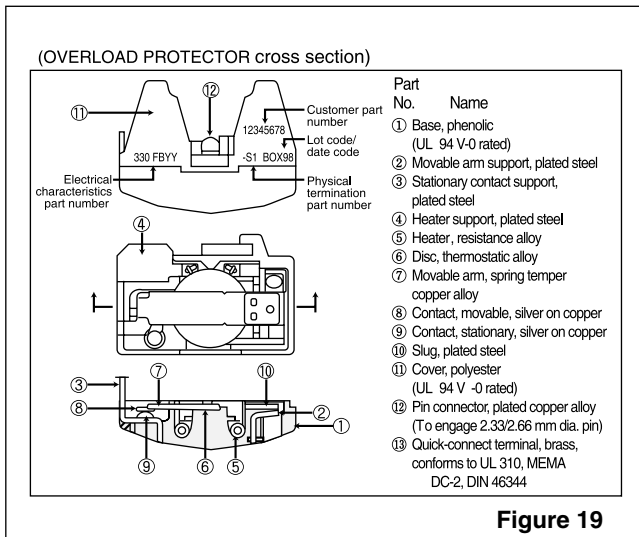
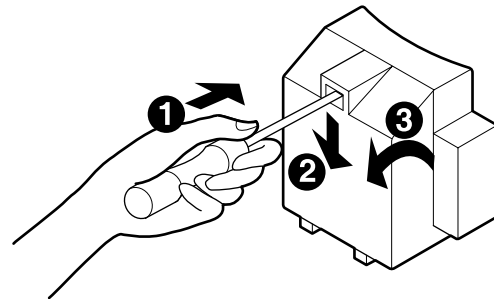
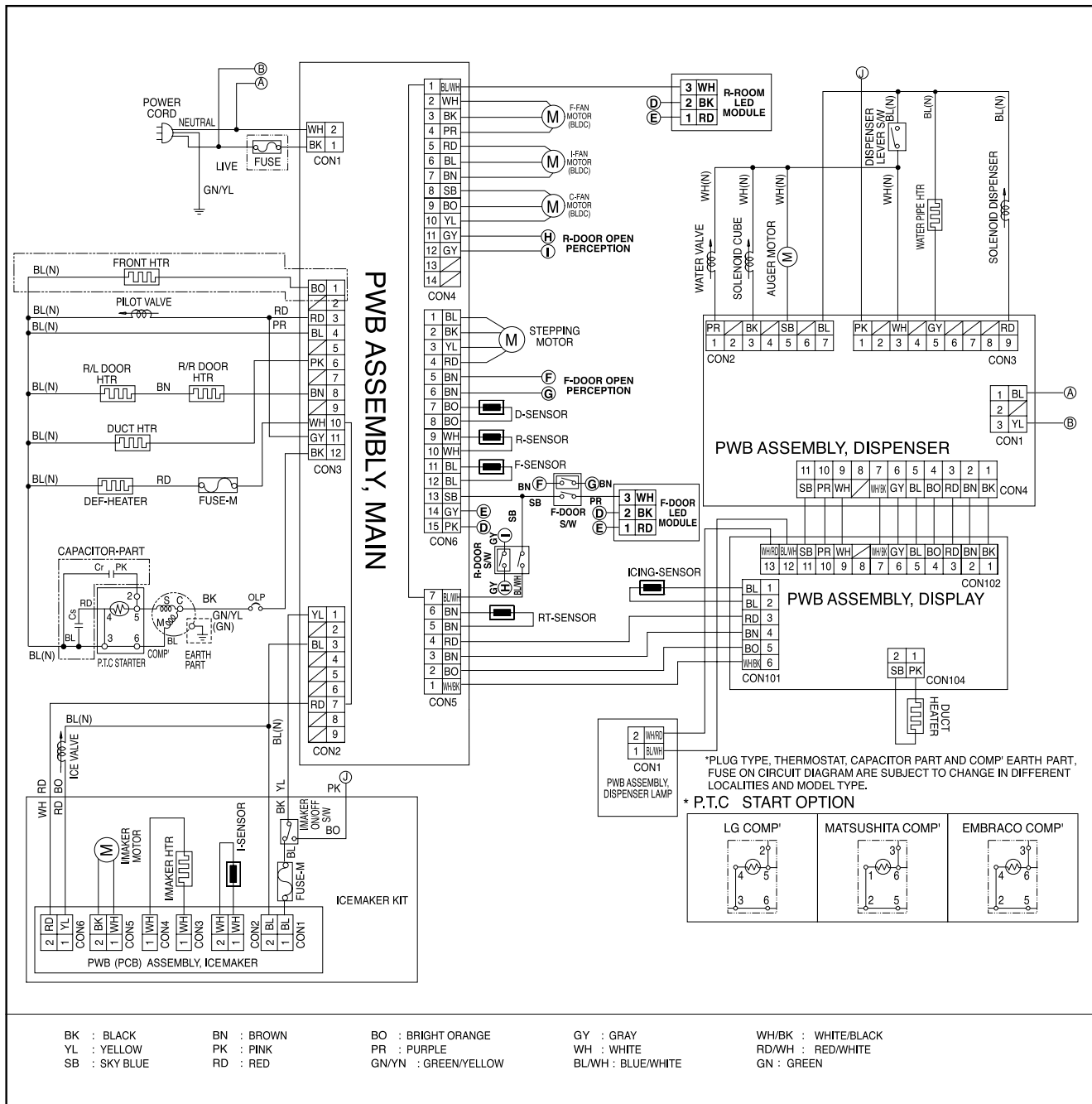


Figure 19



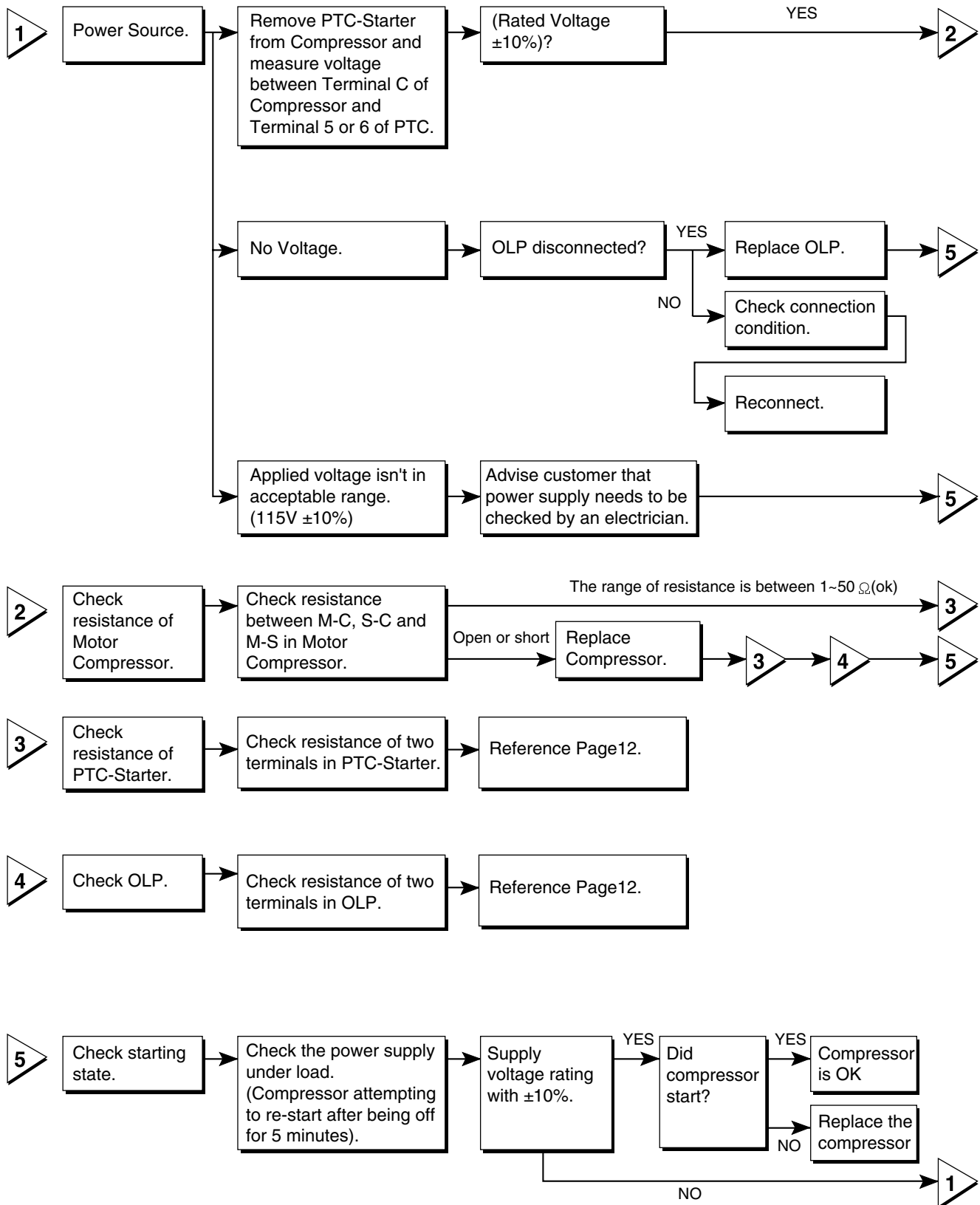
- (4) Use a L-shaped flap tool to pry off the cover.
- (5) Assembly in reverse order of disassembly.

# 5. CIRCUIT DIAGRAM



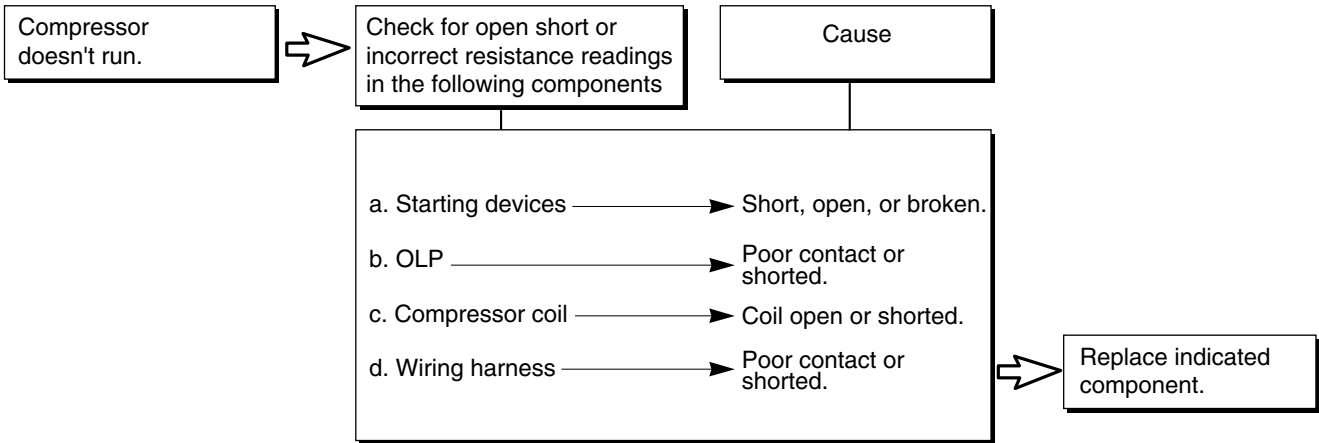
# 6. TROUBLESHOOTING

## 6-1 COMPRESSOR AND ELECTRIC COMPONENTS

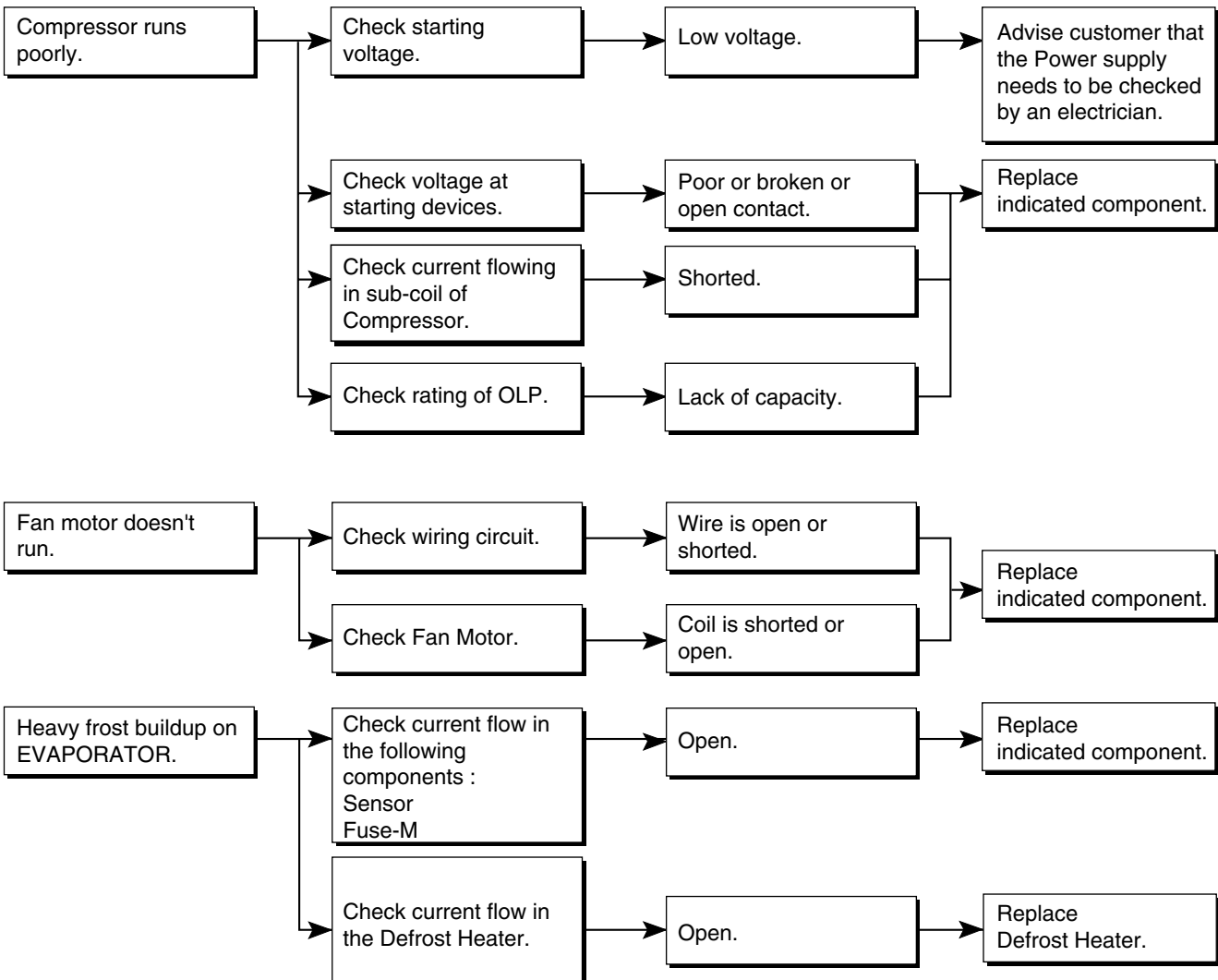


## 6-2 OTHER ELECTRICAL COMPONENTS

### ▼ Not cooling at all



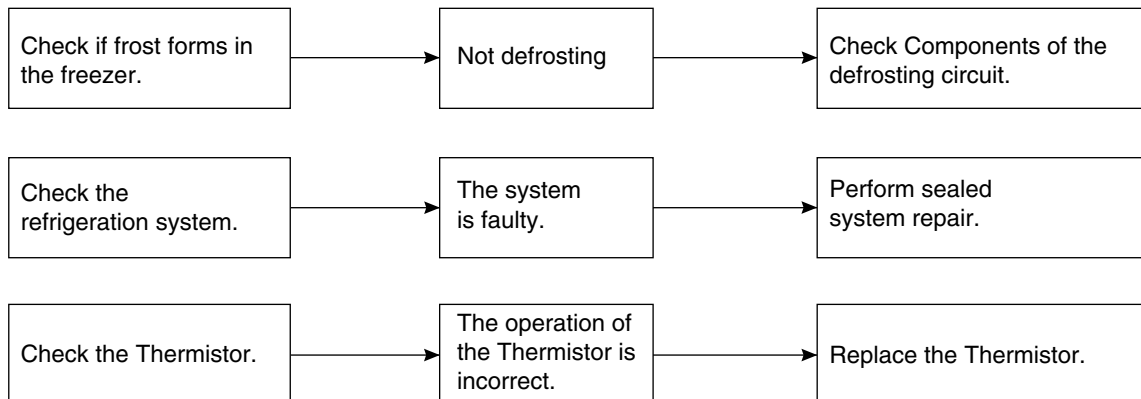
### ▼ Poor cooling performance



### 6-3 SERVICE DIAGNOSIS CHART

COMPLAINT	POINTS TO BE CHECKED	REMEDY
No Cooling.	<ul style="list-style-type: none"> <li>Is the power cord unplugged from the outlet?</li> <li>Check if the power switch is set to OFF.</li> <li>Check if the fuse of the power switch is shorted.</li> <li>Measure the voltage of the power outlet.</li> </ul>	<ul style="list-style-type: none"> <li>Plug into the outlet.</li> <li>Set the switch to ON.</li> <li>Replace the fuse.</li> <li>If the voltage is low, correct the wiring.</li> </ul>
Cools poorly.	<ul style="list-style-type: none"> <li>Check if the unit is placed too close to the wall.</li> <li>Check if the unit is placed too close to the stove, gas cooker, or in direct sunlight.</li> <li>Is the ambient temperature too high or the room door closed?</li> <li>Check if food put in the refrigerator is hot.</li> <li>Did you open the door of the unit too often or check if the door is sealed properly?</li> <li>Check if the Control is set to <b>Warm position</b>.</li> </ul>	<ul style="list-style-type: none"> <li>Place the unit about 4 inches (10 cm) from the wall.</li> <li>Place the unit away from these heat sources.</li> <li>Lower the ambient temperature.</li> <li>Put in foods after they have cooled down.</li> <li>Don't open the door too often and close it firmly.</li> <li>Set the control to <b>Recommended position</b>.</li> </ul>
Food in the Refrigerator is frozen.	<ul style="list-style-type: none"> <li>Is food placed in the cooling air outlet?</li> <li>Check if the control is set to <b>colder position</b>.</li> <li>Is the ambient temperature below 41°F(5°C)?</li> </ul>	<ul style="list-style-type: none"> <li>Place foods in the high-temperature section (front part)</li> <li>Set the control to <b>Recommended position</b>.</li> <li>Set the control to <b>Warm position</b>.</li> </ul>
Condensation or ice forms inside the unit.	<ul style="list-style-type: none"> <li>Is liquid food sealed?</li> <li>Check if food put in the refrigerator is hot.</li> <li>Did you open the door of the unit too often or check if the door is sealed properly?</li> </ul>	<ul style="list-style-type: none"> <li>Seal liquid foods with wrap.</li> <li>Put in foods after they have cooled down.</li> <li>Don't open the door too often and close it firmly.</li> </ul>
Condensation forms in the Exterior Case.	<ul style="list-style-type: none"> <li>Check if the ambient temperature and humidity of the surrounding air are high.</li> <li>Is there a gap in the door gasket?</li> </ul>	<ul style="list-style-type: none"> <li>Wipe moisture with a dry cloth. It will disappear in low temperature and humidity.</li> <li>Fill up the gap.</li> </ul>
There is abnormal noise.	<ul style="list-style-type: none"> <li>Is the unit positioned in a firm and even place?</li> <li>Are any unnecessary objects placed in the back side of the unit?</li> <li>Check if the Drip Tray is not firmly fixed.</li> <li>Check if the cover of the compressor enclosure in the lower front side is taken out.</li> </ul>	<ul style="list-style-type: none"> <li>Adjust the Leveling Screw, and position the refrigerator in a firm place.</li> <li>Remove the objects.</li> <li>Fix the Drip Tray firmly in the original position.</li> <li>Place the cover in its original position.</li> </ul>
Door does not close well.	<ul style="list-style-type: none"> <li>Check if the door gasket is dirty with an item like juice.</li> <li>Is the refrigerator level?</li> <li>Is there too much food in the refrigerator?</li> </ul>	<ul style="list-style-type: none"> <li>Clean the door gasket.</li> <li>Position in a firm place and level the Leveling Screw.</li> <li>Make sure food stored in shelves does not prevent the door from closing.</li> </ul>
Ice and foods smell unpleasant.	<ul style="list-style-type: none"> <li>Check if the inside of the unit is dirty.</li> <li>Are foods with a strong odor unwrapped?</li> <li>The unit smells of plastic.</li> </ul>	<ul style="list-style-type: none"> <li>Clean the inside of the unit.</li> <li>Wrap foods that have a strong odor.</li> <li>New products smell of plastic, but this will go away after 1-2 weeks.</li> </ul>

●Other possible problems:



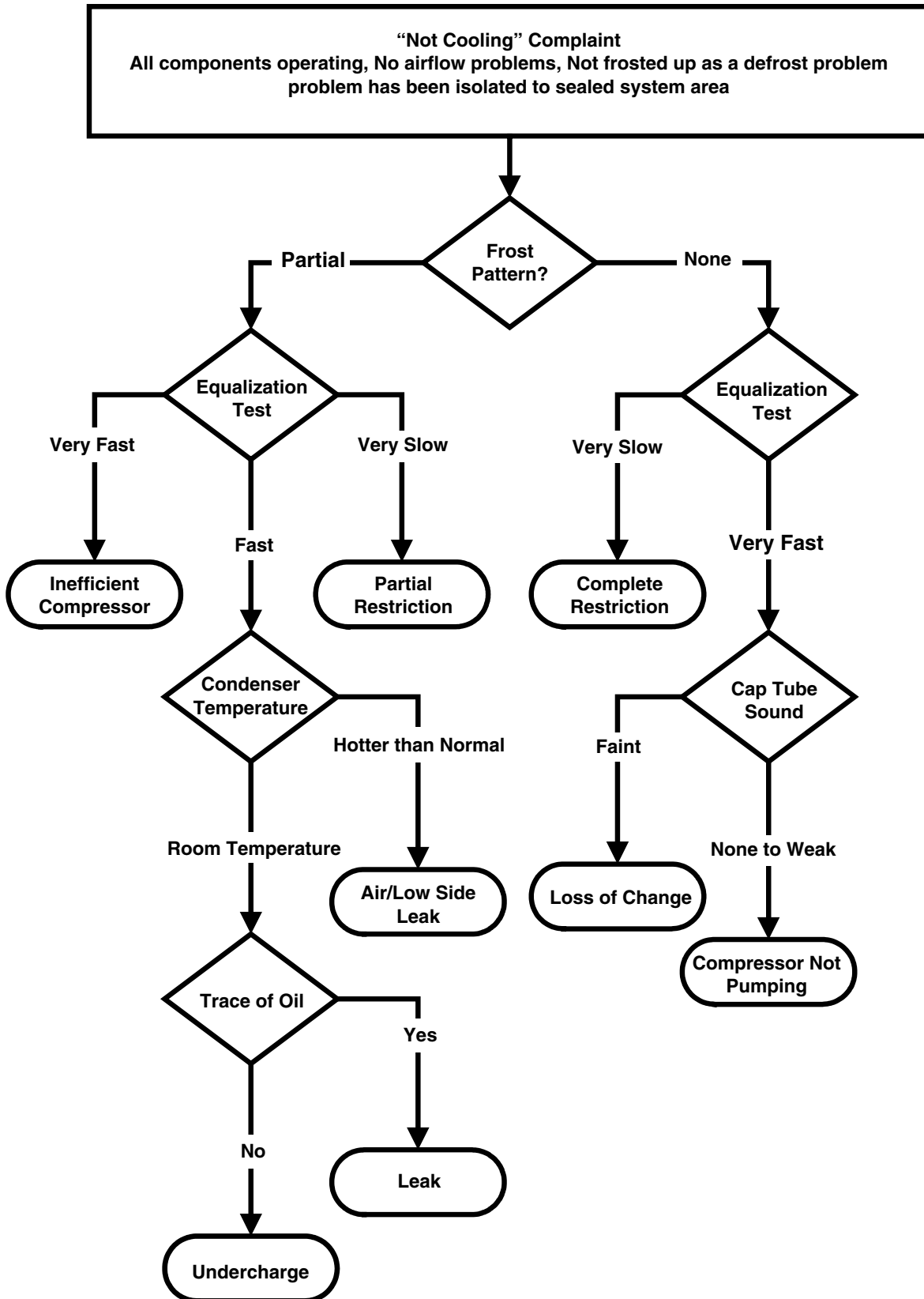
## 6-4 REFRIGERATION CYCLE

### ▼ Troubleshooting Chart

CAUSE		STATE OF THE UNIT	STATE OF THE EVAPORATOR	TEMPERATURE OF THE COMPRESSOR	REMARKS
LEAKAGE	PARTIAL LEAKAGE	Freezer compartment and Refrigerator don't cool normally.	Low flowing sound of Refrigerant is heard and frost forms in inlet only.	A little higher than ambient temperature.	<ul style="list-style-type: none"> <li>Refrigerant level is low due to a leak.</li> <li>Normal cooling is possible by restoring the normal amount of refrigerant and repairing the leak.</li> </ul>
	COMPLETE LEAKAGE	Freezer compartment and Refrigerator don't cool normally.	Flowing sound of refrigerant is not heard and frost isn't formed.	Equal to ambient temperature.	<ul style="list-style-type: none"> <li>No discharging of Refrigerant.</li> <li>Normal cooling is possible by restoring the normal amount of refrigerant and repairing the leak.</li> </ul>
CLOGGED BY DUST	PARTIAL CLOG	Freezer compartment and Refrigerator don't cool normally.	Flowing sound of refrigerant is heard and frost forms in inlet only.	A little higher than ambient temperature.	<ul style="list-style-type: none"> <li>Normal discharging of the refrigerant.</li> <li>The capillary tube is faulty.</li> </ul>
	WHOLE CLOG	Freezer compartment and Refrigerator don't cool.	Flowing sound of refrigerant is not heard and frost isn't formed.	Equal to ambient temperature.	<ul style="list-style-type: none"> <li>Normal discharging of the Refrigerant.</li> </ul>
MOISTURE CLOG		Cooling operation stops periodically.	Flowing sound of refrigerant is not heard and frost melts.	Lower than ambient temperature.	<ul style="list-style-type: none"> <li>Cooling operation restarts when heating the inlet of the capillary tube.</li> </ul>
DEFECTIVE COMPRESSION	COMP-RESSION	Freezer and Refrigerator don't cool.	Low flowing sound of refrigerant is heard and frost forms in inlet only.	A little higher than ambient temperature.	<ul style="list-style-type: none"> <li>Low pressure at high side of compressor due to low refrigerant level.</li> </ul>
	NO COMP-RESSION	No compressing operation.	Flowing sound of refrigerant is not heard and there is no frost.	Equal to ambient temperature.	<ul style="list-style-type: none"> <li>No pressure in the high pressure part of the compressor.</li> </ul>



6-4-1 SEALED SYSTEM DIAGNOSIS

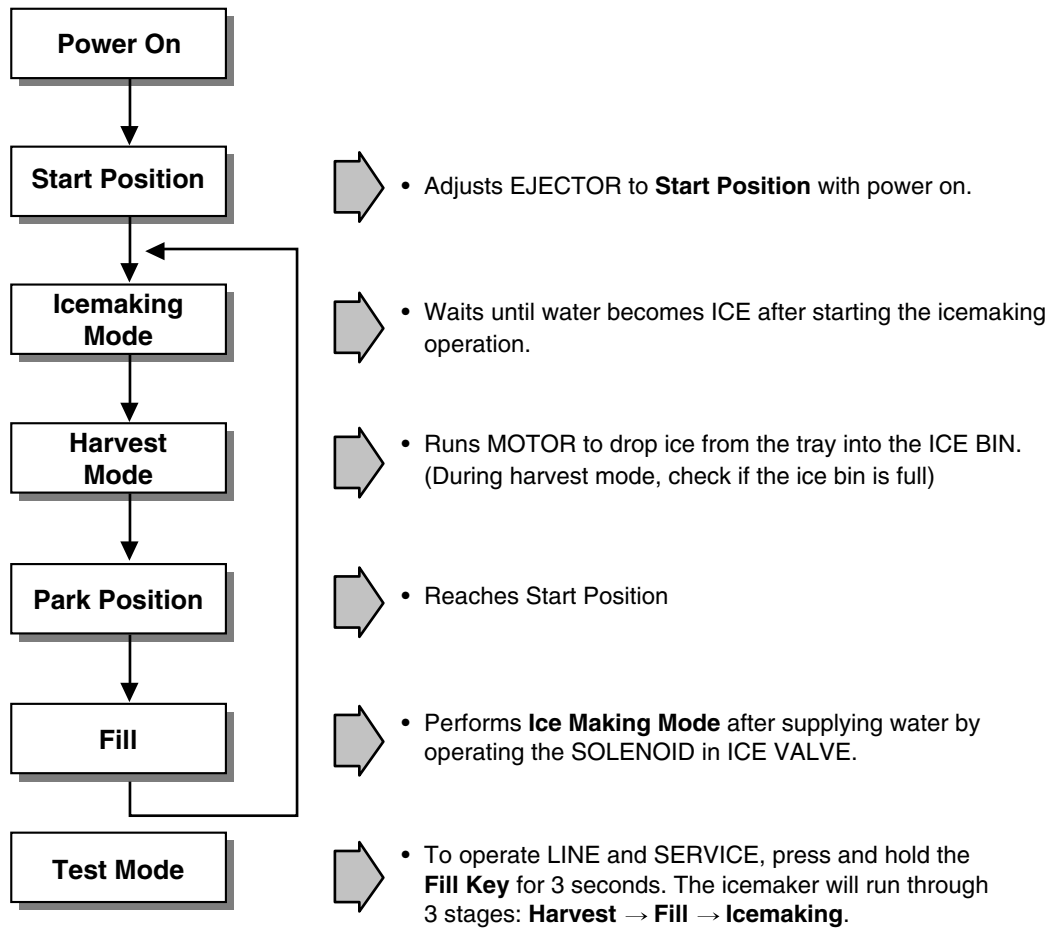


(The equalization test is trying to restart a compressor using a start kit after it has been operating.)

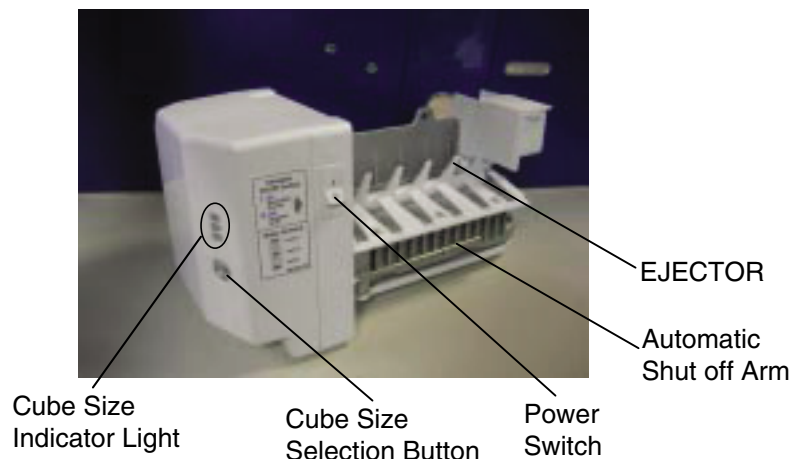
# 7. OPERATION PRINCIPLE AND REPAIR METHOD OF ICEMAKER

## 7-1 OPERATION PRINCIPLE

### 7-1-1 Operation Principle of IceMaker



1. Turning the Icemaker stop switch off (O) stops the ice making function.
2. Setting the Icemaker switch to OFF and then turning it back on will reset the icemaker control.



## 7-2 ICE MAKER FUNCTIONS

### 7-2-1 Icemaking Mode

1. Icemaking refers to the freezing of supplied water in the ice tray. Complete freezing is assured by measuring the temperature of the Tray with Icemaking SENSOR.
2. Icemaking starts after completion of the water fill operation.
3. The Ice Making function is completed when the sensor reaches 19°F (-7°C), 55 minutes after starting.

**NOTE** : After Icemaker Power is ON, the Icemaker heater will be on for test for 6 sec.

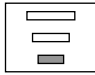
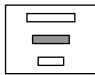
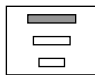
### 7-2-2 Harvest Mode

1. Harvest (Ice removing) refers to the operation of dropping ices into the ice bin from the tray when icemaking has completed.
  2. Harvest mode:
    - (1)The Heater is ON for 30 seconds, then the motor starts.
    - (2)The feeler arm senses the quantity of ice in the ice storage bin while rotating with the EJECTOR.
      - A. Ice storage bin is full : The EJECTOR stops (heater off).
      - B. Ice storage bin is not full : The EJECTOR rotates twice to open for ice.
- ※ If the EJECTOR does not rotate once within 5 minutes in B mode, separate heater control mode starts operating to prevent the EJECTOR from being constrained. (It is recommended that the user open for ice to return to normal mode.)

### 7-2-3 Fill/Park Position

1. Once a normal harvest mode has been completed, the water solenoid will be activated.
2. The amount of water is adjusted by pressing the Fill Key repeatedly. This changes the time allowed for fill as illustrated in the table below.

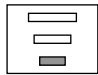

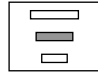
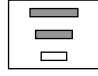

**Water supply amount TABLE**

STAGE	TIME TO SUPPLY	INDICATIONS	REMARKS
1	5 sec.		The water amount will vary depending on the water control Switch setting, as well as the water pressure of the connected water line.
2	5.5 sec. (FIRST STAGE)		
3	6 sec.		

### 7-2-5 Function TEST

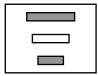
1. This is a forced operation for TEST, Service, cleaning, etc. It is operated by pressing and holding the Fill Key for 3 seconds.
2. The test works only in the Icemaking Mode. It cannot be entered from the Harvest or Fill mode.
3. **Caution!** If the test is performed before water in the icemaker is frozen, the ejector will pass through the water. When the Fill mode begins (Stage 4), unless the water supply has been shut off, added water will overflow into the ice bin. If the control doesn't operate normally in the TEST mode, check and repair as needed.
4. After water is supplied, the normal CYCLE is followed: **icemaking** → **Harvest** → **Park Position** → **Fill**.
5. Five seconds after Stage 5 is completed, the Ice Maker returns to MICOM control. The time needed to supply water resets to the pre- test setting.

### Diagnosis TABLE

STAGE	ITEMS	INDICATOR	REMARKS
1	HEATER		Five seconds after heater starts, a heater will go off if the temperature by sensor is higher than 10°C
2	MOTOR		Five seconds after heater starts, you can confirm that a motor is moving.
3	HALL IC I		Check if Ice Bin is full or not. If Ice bin is full, the motor and heater are off and on stand by until Ice bin is empty.
4	HALL IC II		You can confirm HALL IC detection of start position.
5	VALVE		Two seconds after detection of start position, you can confirm that valve is on.
6	Reset	Return to Status prior to TEST MODE	Five seconds after fifth stage is completed, The icemaker resets to initial status.

### 7-3 DEFECT DIAGNOSIS FUNCTION

#### 7-3-1 ERROR CODES shown on Ice Maker water supply control panel

NO	DIVISION	INDICATOR	CONTENTS	REMARKS
1	Normal	Mark time to supply	None	Display switch operates properly
2	Icemaking Sensor malfunction		Open or short-circuited wire	Make sure that the wire on each sensor is connected.

# 8. DESCRIPTION OF FUNCTION & CIRCUIT OF MICOM

## 8-1 FUNCTION

### 8-1-1 Function

1. When the appliance is plugged in, it is set to 37°F for Refrigerator and 0°F for freezer.  
You can adjust the Refrigerator and the Freezer control temperature by pressing the ADJUST button.
2. When the power is initially applied or restored after a power failure, it is set to Control temperature Previously.



### 8-1-2 How to Toggle the Display between °F & °C

1. The initial setting is °F and the display temperature mode can be changed from °F to °C or °C to °F by pressing and holding the FRZ TEMP and the REF TEMP keys at the same time for over 5 seconds.

### 8-1-3 Lock function (dispenser and display button lock)

1. When the refrigerator is first turned on, the buttons are not locked.  
The display panel shows the padlock unlocked icon.
2. To lock the display, the dispenser, and the control panel, press and hold the LOCK button for 3 seconds. The locked pad lock icon is displayed.
3. The LOCK button is the only control feature that remains active in the locked state. The buzzer sound, other control buttons, and the dispenser are deactivated.
4. To release from the locked state, press and hold the LOCK button again for 3 seconds.

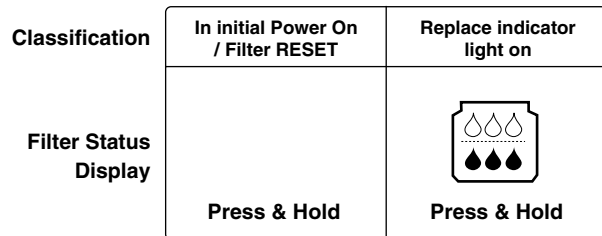


Ex) In selecting "LOCK"

Ex) In selecting "LOCK" again

### 8-1-4 Filter condition display function

1. There is a replacement indicator light for the filter cartridge on the dispenser.
2. Water filter needs replacement once six months or of using water filter.
3. Water Filter icon turn on to tell you need to replace the filter soon.
4. After replacing the filter, press and hold the lock button more than 3 seconds.  
Water Filter icon turn off with reset status.



### 8-1-5 Ultra Ice selection

Please select this function for quick freezing.

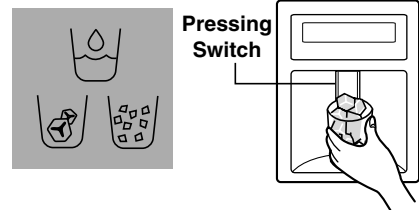
- Function is repeat Ultra Ice Icon whenever pressing Ultra Ice button.
- Ultra Ice function automatically turns off after a fixed time passes.



### 8-1-6 Dispenser use selection

You can select water or ice.

- \* Select water, crushed ice, or ice cubes by cycling through the selections when pressing the DISPENSER button,
- \* Hold your cup in the dispenser for a few seconds after dispensing ice or water to allow the last pieces of ice or drops of water to fall into the cup.
- \* When after initially establishing the water comes out, the water tank inside fills and until at the time of quality the hour is caught.



### 8-1-7 DISPENSER LIGHT

- Whenever pressed the LIGHT button, DISPLAY is changed as follows.



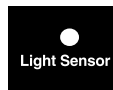
Auto

②



on

③



- ① Normal status : When dispenser is operated, DISPENSER LIGHT is ON.
- ② AUTO status : Detecting the lighting of room by LIGHT SENSOR, DISPENSER LIGHT is on and off automatically.
- ③ ON status : DISPENSER LIGHT is on continuously.

### 8-1-8 CONTROL OF FREEZER FAN MOTOR

1. Freezer fan motor has high and standard speeds.
2. High speed is used at power-up, for Ultra Ice, and when refrigerator is overloaded.  
Standard speeds is used for general purposes.
3. To improve cooling speed, the RPM of the freezer fan motor change from normal speed to high.
4. High speed (2700RPM) : Initial power on or load corresponding operation, Ultra Ice.  
Normal speed (2400RPM) : General working conditions.
5. Fan motor stops when refrigerator or freezer door opens.

### 8-1-9 Cooling Fan Motor

1. The cooling fan is switched ON and OFF in conjunction with the compressor.
2. The cooling fan Motor has high and standard speeds. (When room temperature more high than 38 °C speed is high)
3. The Failure sensing method is the same as in the fan motor of the freezing fan motor(refer to failure diagnosis function table for failure display).

### 8-1-10 Ice Compartment Fan

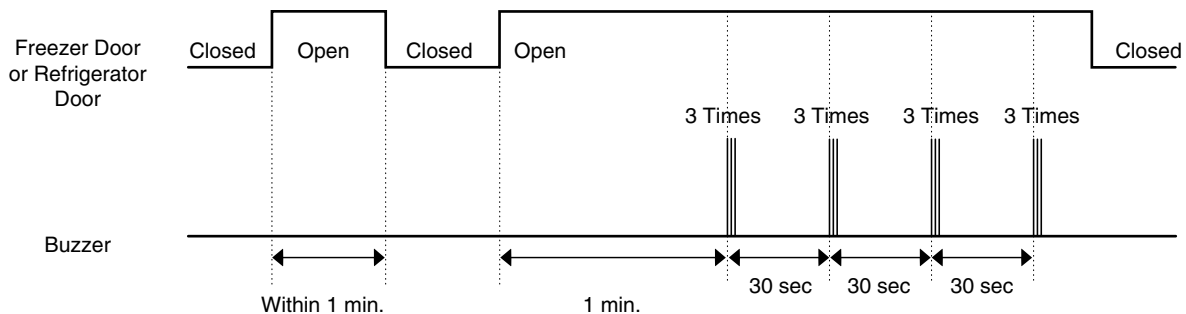
1. The Icing Fan is controlled by the the sensor on the top of the ice compartment.
2. The Failure sensing method is the same as in the fan motor of the freezer (refer to failure diagnosis function table for failure display)

### 8-1-11 Ultra Ice

1. The purpose of this function is to intensify the cooling speed of freezer and to increase the amount of ice.
2. Whenever selection switch is pressed, selection/release, the LCD will turn ON or OFF.
3. If there is a power outage and the refrigerator is powered on again, Ultra Ice will be canceled.
4. To activate this function, press the Ultra Ice key and the LCD will turn ON. This function will remain activated for 24 hrs. The first three hours the compressor and Freezer Fan will be ON. The next 21 hours the freezer will be controlled at the lowest temperature. After 24 hours or if the Ultra Ice key is pressed again, the freezer will return to its previous temperature.
5. During the first 3 hours:
  - (1) Compressor and freezer fan (HIGH RPM) run continuously.
  - (2) If a defrost cycle begins during the first 90 minutes of Ultra Ice, the Ultra Ice cycle will complete its cycle after defrosting has ended.  
If the defrost cycle begins when Ultra Ice has run for more than 90 minutes, Ultra Ice will run for two hours after the defrost is completed.
  - (3) If Ultra Ice is pressed during defrost, Ultra Ice LCD is on but this function will start seven minutes after defrost is completed and it shall operate for three hours.
  - (4) If Ultra Ice is selected within seven minutes after compressor has stopped, the compressor (compressor delays seven minutes) shall start after the balance of the delay time.
  - (5) The fan motor in the freezer compartment runs at high speed during Ultra Ice.
6. For the rest of the 21 hours, the freezer will be controlled at the lowest temperature.

### 8-1-12 Alarm for Open Door

1. This feature sounds a buzzer when the freezer or refrigerator door is not closed within 1 minute after it is opened.
2. One minute after the door is opened, the buzzer sounds three times each for 1/2 seconds. These tones repeat every 30 seconds.
3. The alarm is cancelled when the freezer or the refrigerator is closed while the buzzer sounds.



### 8-1-13 How to set the display mode and cancel It

1. With the refrigerator door open, keep pressing the Refrigerator Temp Button and ULTRA ICE Button more than 5 seconds, then it goes to the display mode with Special Beep Sound.
2. Perform the same way again to cancel the display mode.
3. All freezing units do not work at the display mode. (Exceptions : Display, Lamp)

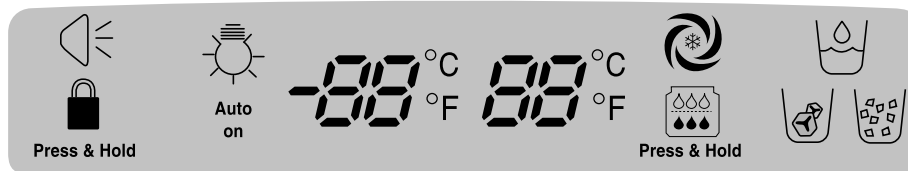
---

### 8-1-14 Defrosting (removing frost)

1. Defrosting starts each time the COMPRESSOR running time Between 7~50 hours.
2. For initial power on or for restoring power, defrosting starts when the compressor running time reaches 4 hours.
3. Defrosting stops if the sensor temperature reaches 46.4°F(8°C) or more. If the sensor doesn't reach 46.4°F(8°C) in 1 hours, the defrost mode is malfunctioning. (Refer to the defect diagnosis function, 8-1-15.)
4. Defrosting won't function if its sensor is defective (wires are cut or short circuited)

### 8-1-15 Defect Diagnosis Function

1. Automatic diagnosis makes servicing the refrigerator easy.
2. When a defect occurs, the buttons will not operate; but the tones. such as ding. will sound.
3. When the defect CODE removes the sign, it returns to normal operation (RESET).
4. The defect CODE shows on the Refrigerator and Freezer Display.



- \* LCD check function: If simultaneously pressing Ultra Ice button and freezing temperature adjustment button for a second, display LCD graphics on. If releasing the button, the LCD graphic displays the previous status.



## ERROR CODE on display panel

NO	Error Detection Category	Error Display		Error Generation Factors	Remark
		Freezer Temperature	Ref. Temperature		
1	Normality			None	Normal operation of Display
2	Freezer Sensor Error	Er	FS	Short or Disconnection of Freezer Sensor	Each Sensor have to check disconnection
3	Refrigerator Sensor Error	Er	rS	Short or Disconnection of Refrigerator Sensor	
4	Defrosting Sensor Error	Er	dS	Short or Disconnection of Defrosting Sensor	
5	Icing Sensor Error	Er	IS	Short or Disconnection of Icing Sensor	
6	Poor Defrosting	Er	dH	Even though it is passed 1 hour since then Defrosting, if Defrosting sensor is not over 46°F(8°C), it is caused	Temperature Fuse Disconnection, Heater disconnection, DRAIN Jam, Poor Relay for Heater
7	Abnormality of Brushless DC FAN Motor for Ice Making	Er	IF	It is caused when F/B signal isn't over 65 seconds during Brushless DC FAN motor operating	Poor BLDC Motor connection, DRIVE IC, and TR
8	Abnormality of Brushless DC FAN Motor for Freezer	Er	FF	It is caused when F/B signal isn't over 65seconds during Brushless DC FAN motor operating	Poor BLDC Motor connection, DRIVE IC, and TR
9	Abnormality of Brushless DC FAN Motor for Mechanic Room	Er	CF	It is caused when F/B signal isn't over 65seconds during Brushless DC FAN motor operating	Poor BLDC Motor connection, DRIVE IC, and TR
10	Communication Error	Er	CO	Communication Error between Micom of Main PCB and Display Micom	Poor Communication connection, Poor TR of Transmitter and Receiver

**NOTE)** In the case of Room Temperature Sensor Error, "Er rt" appears on the Display when Ultra Ice KEY and Freezer Temp' KEY pressed at the same time for one second.

---

### 8-1-16 TEST Mode

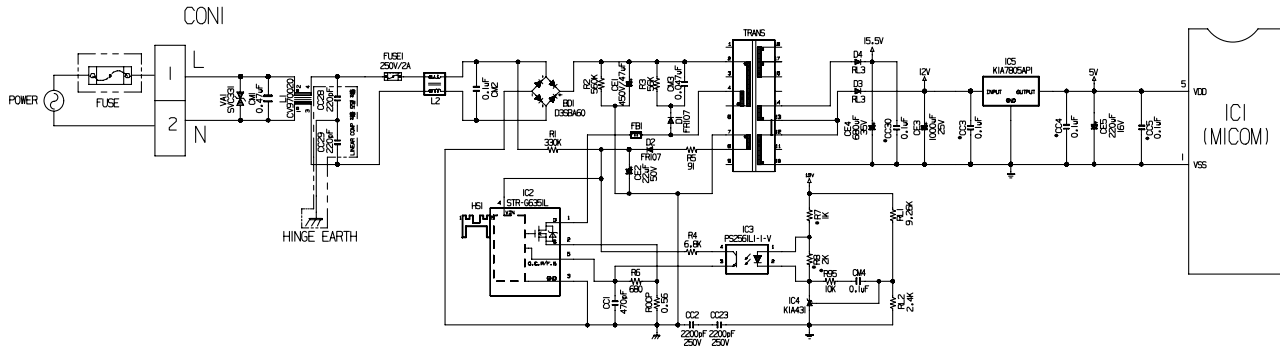
1. The Test mode allows checking the PCB and the function of the product as well as finding out the defective part in case of an error.
2. The test mode is operated by pressing test button at main PCB controller.
3. While in the test mode, the function control button is not recognized, but the recognition tone sounds.
4. After exiting the test mode, be sure to reset by unplugging and then plugging in the appliance.
5. If an error, such as a sensor failure, is detected while in the test mode, the test mode is cleared and the error code is displayed.
6. While an error code is displayed, the test mode will not be activated.

**Table 1. Function Test**

MODE	OPERATION	FUNCTION	REMARKS
TEST1	Push test button one time at main PCB controller.	1) Operation of the COMPRESSOR and FAN(Freezer/Condenser/Icing) 2) Stepping DAMPER OPEN 3) Defrosting HEATER OFF 4) DISPLAY LCD all ON	
TEST2	Push test button again for TEST MODE 2	1) Operation of the COMPRESSOR and FAN(Freezer/Condenser/Icing) 2) Stepping DAMPER CLOSE 3) Defrosting HEATER OFF 4) DISPLAY LCD shows no. "22"	
TEST3	Push test button again for TEST MODE 3	1) The COMPRESSOR and the FAN(Freezer/Condenser/Icing) OFF 2) Stepping DAMPER CLOSE 3) Defrosting HEATER ON 4) DISPLAY LCD shows no. "33"	Reset if the Temperature of the Defrosting Sensor is 46°F(8°C) or more.
RESET	Push test button for the 4th time and the control is Put batch into the previous setting	Reset to the previously setting Before TEST MODE.	The compressor will Start after a 7-minute Delay.

## 8-2 PCB FUNCTION

### 8-2-1 Power Circuit



The secondary part of the TRANSFORMER is composed of the power supply for the display, the BLDC FAN Motor drive (15.5 V), the relay drive (12 Vdc) and the MICOM and IC (5 Vdc).

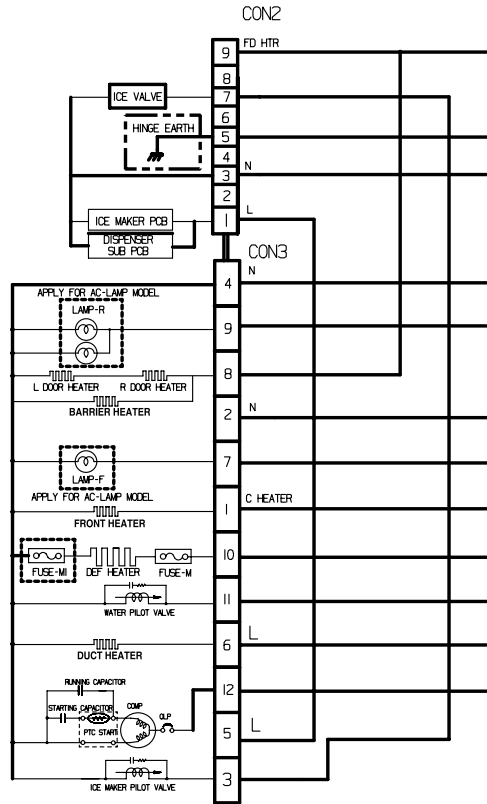
The voltage for each part is as follows :

VA1 is a part for preventing over voltage and noise. When 385V or higher power is applied, the inside elements are shortcircuited and broken, resulting in blowout of the fuse in order to protect the elements of the secondary part of the TRANSFORMER.

PART	VA 1	CE 3	CE 4	CE 5
VOLTAGE	115 Vac	12 Vdc	15.5 Vdc	5 V

## 8-2-2 Load / Fan & Open Door Detection Circuit

### 1. Load Drive Condition Check



To measure outputs of the control board, check voltages between the pins for the following components :

Circuit	Pin Number	Pin Number	Output Voltage
I/Maker Pilot Valve	Con3 Pin3	Con3 Pin2	115 VAC
R/R Door, R/L Door Heater Barrier Heater,	Con3 Pin8	Con3 Pin2	115 VAC
Def Heater	Con3 Pin10	Con3 Pin2	115 VAC
Water Pilot Valve	Con3 Pin11	Con3 Pin2	115 VAC
Compressor	Con3 Pin12	Con3 Pin2	115 VAC
Duct Heater	Con3 Pin6	Con3 Pin2	115 VAC
Front Heater	Con3 Pin1	Con3 Pin2	115 VAC

(Optional)

### 2-1 APPLY For AC Lamp Model

LAMP-R	Con3 Pin9	Con3 Pin2	115 VAC
LAMP-F	Con3 Pin7	Con3 Pin2	115 VAC

### 2-2 Freezing compartment fan

	Pin2 & 3 of con4
MOTOR OFF	2V or less
MOTOR ON	13V~15V

---

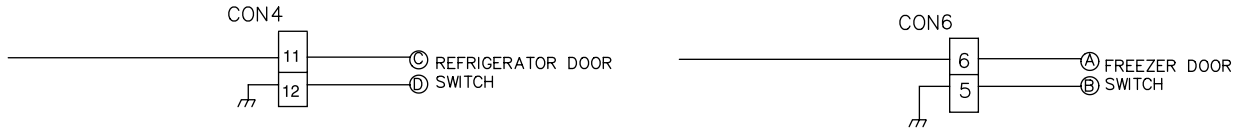
### 2-3 Machine compartment fan

	Pin8 & 9 of con4
MOTOR OFF	2V or less
MOTOR ON	13V~15V

### 2-4 Icing compartment fan

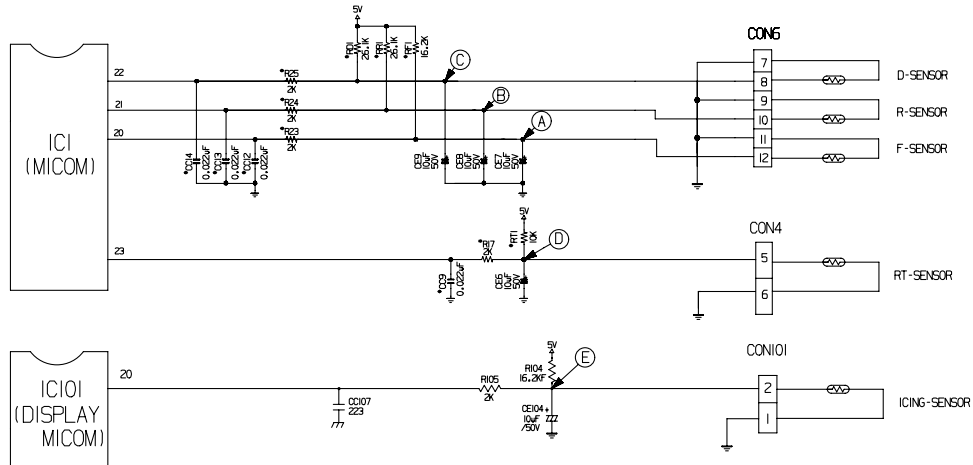
	Pin5 & 6 of con4
MOTOR OFF	2V or less
MOTOR ON	13V~15V

### 3. Open Door Detection Circuit Check



Freezer/ Refrigerator Door	Measurement Location	Pin 11 & 12 of con4 Ref.Door Pin 5 & 6 of con6 Fre.Door
Closed		5 V
Open		0V

### 8-2-3 Temperature Sensor Circuit



\* ICING-SENSOR is located on the Display

The upper circuit reads refrigerator temperature, freezer temperature, Icing sensor temperature and defrost sensor temperature for defrosting and the indoor temperature for compensating for the surrounding temperature into MICOM. Opening or short state of each temperature sensor are as follows:

SENSOR	CHECK POINT	NORMAL (-30°C ~ 50°C)	SHORT-CIRCUITED	OPEN
Freezer sensor	POINT A Voltage	0.5 V ~ 4.5 V	0 V	5 V
Refrigerator sensor	POINT B Voltage			
Defrosting sensor	POINT C Voltage			
Room Temperature sensor	POINT D Voltage			
Icing sensor	POINT E Voltage			

---

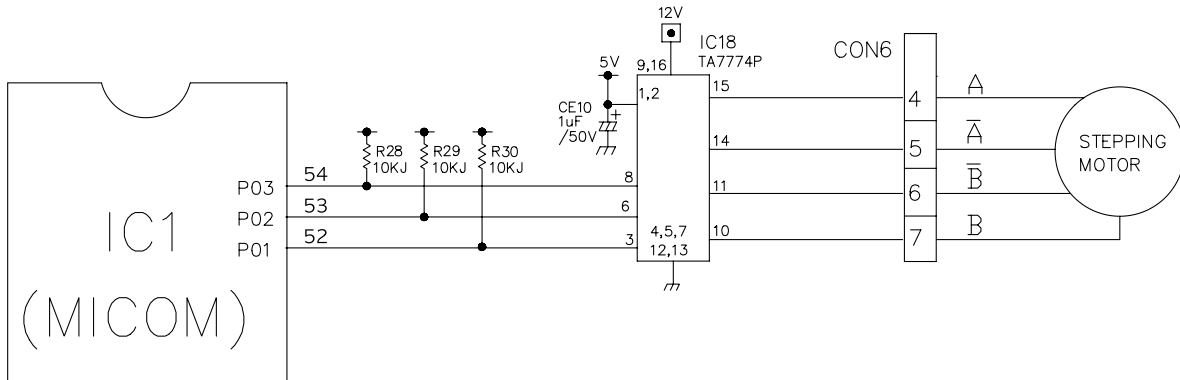
### 8-3 RESISTANCE SPECIFICATION OF SENSOR

TEMPERATURE	RESISTANCE OF FREEZER/ICING SENSOR	RESISTANCE OF REFRIGERATOR & DEFROST SENSOR & ROOM SENSOR
- 20°C	22.3kΩ	77kΩ
- 15°C	16.9kΩ	60kΩ
- 10°C	13.0kΩ	47.3kΩ
- 5°C	10.1kΩ	38.4kΩ
0°C	7.8kΩ	30kΩ
+ 5°C	6.2kΩ	24.1kΩ
+ 10°C	4.9kΩ	19.5kΩ
+ 15°C	3.9kΩ	15.9kΩ
+ 20°C	3.1kΩ	13kΩ
+ 25°C	2.5kΩ	11kΩ
+ 30°C	2.0kΩ	8.9kΩ
+ 40°C	1.4kΩ	6.2kΩ
+ 50°C	0.8kΩ	4.3kΩ

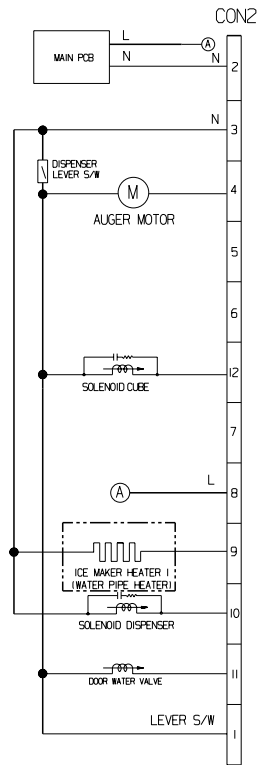
- The resistance of the SENSOR has a  $\pm 5\%$  tolerance.
- Measure the resistance of the SENSOR after leaving it for over 3 minutes in the measuring temperature. This delay is necessary due to sensor response speed.

### 8-2-4 Refrigeration Compartment Stepping Motor Damper Circuit

A reversible DC motor is used to open and close the damper.  
 To open the damper, push test button once.  
 To close the damper, push test button twice.



### 8-2-5 Dispenser Drive Circuit

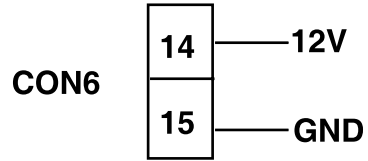


Circuit	Pin Number	Pin Number	Output Voltage
Auger Motor	Con2 Pin4	Con2 Pin2	115 VAC
Solenoid Cube	Con2 Pin12	Con2 Pin2	115 VAC
Solenoid Dispenser	Con2 Pin10	Con2 Pin2	115 VAC
Door Water Valve	Con2 Pin11	Con2 Pin2	115 VAC



---

8-2-6 LED in Refrigerator/Freezer room (Apply for LED Model)



Circuit	Pin Number	Pin Number	Output Voltage
LED Module	Con6 Pin14	Con6 Pin15	12 VDC

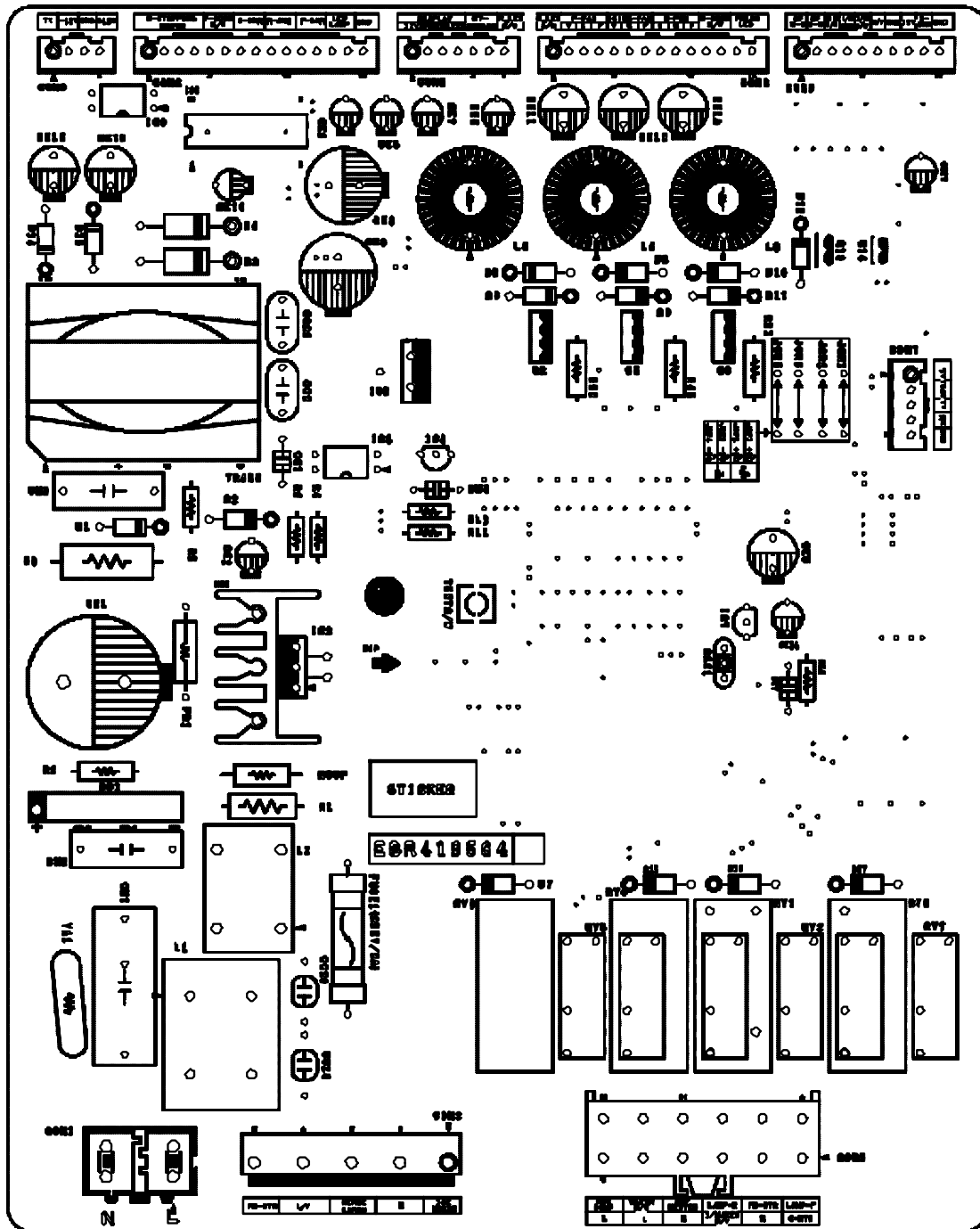
### 8-3 TROUBLESHOOTING

PROBLEM	INDICATED BY	CHECK	CHECKING METHOD	CAUSE	SOLUTION	
POWER SOURCE is poor.	1. The whole  2. DISPLAY LED	1. FREEZER/ REFRIGERATOR.	Check if FREEZER/ REFRIGERATOR DOOR IS OPEN and check display.	POWER SOURCE is poor.	Replace Main PWB	
		2. If LAMP is dim.	Check visually.	Applied voltage error.	Replace Main PWB	
		3. The connection of the MAIN PWB CONNECTOR.	Check connection of CONNECTOR.	CONNECTOR connection is poor.	Reconnect CONNECTOR	
TRANS FUSE is open.	Replace Main PWB					
COOLING is poor.	NO COOLING.	1. If the COMPRESSOR operate.	USE TEST MODE1 (forced COOLING). If less than 7 minutes pass after compressor shuts off, don't press the KEY and wait.	COMPRESSOR locked or blocked.	Replace OLP, PTC.	
				OLP, PTC is poor. COMPRESSOR RELAY is poor.	Replace MAIN PWB.	
				THE CONNECTING WIRE is poor.	Check the connection of the black wire of the MAIN PWB CONNECTOR (CON3).	
		2. If refrigerant is leaking.	Measure the amount of frost sticking on EVAPORATOR and the surface temperature of the condenser pipe.	Refrigerant leakage.	Replace the leaking part and replace any lost refrigerant.	
		FREEZER TEMPERATURE is incorrect	1. If FAN MOTOR operates.	USE TEST MODE1 (forced COOLING).	FAN MOTOR is poor.	Replace the FAN MOTOR.
					CONNECTING WIRE is poor.	Certify the MOTOR and the connection of the black wire of the MAIN PWB CONNECTOR (CON4).
	2. If DEFROSTING is normal.		Check the amount of frost sticking on the EVAPORATOR.	DEFROSTING is poor.	See DEFROSTING is poor.	
	3. If SENSOR is normal.		Of the Refrigerator SENSOR.	SENSOR RESISTANCE is poor.	Replace SENSOR.	
	4. Door Line contact.	Check the seal when the door is closed.	Door liner damaged.	Replace door liner.		

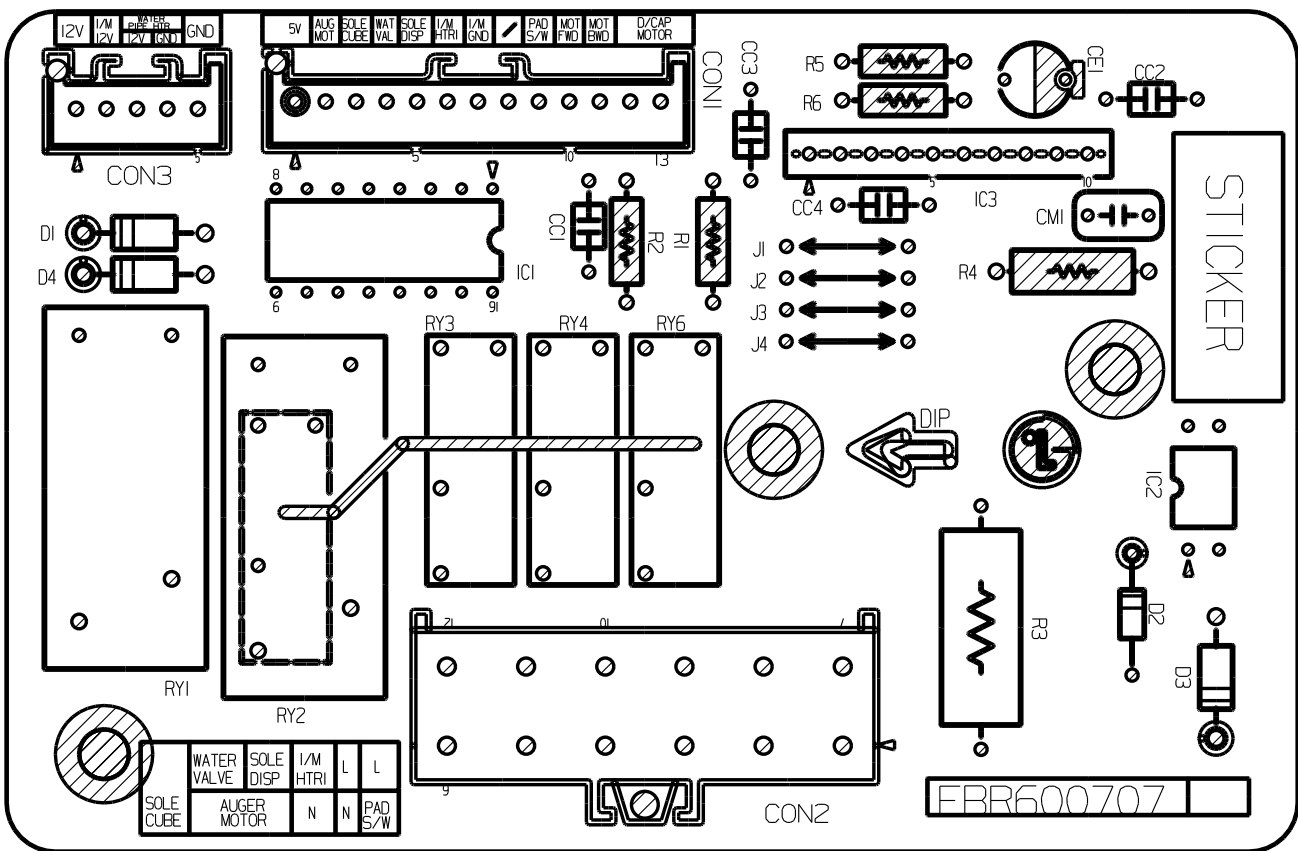
PROBLEM	INDICATED BY	CHECK	CHECKING METHOD	CAUSE	SOLUTION
COOLING is poor.	If REFRIGERATOR TEMPERATURE is too low.	1. If FREEZER TEMPERATURE is normal.	Check is FREEZER TEMPERATURE is too low.		Make sure the DOOR is attached.
		2. If amount of cool air from FAN MOTOR is sufficient.	Make sure that the amount and speed of cool air are sufficient by touching the check supplied on the REFRIGERATOR.	FAN MOTOR is poor.	Replace FAN MOTOR.
				Passage of cool air is blocked.	Remove impurities.
				EVA frozen.	See DEFROSTING is poor.
		3. Door Line contact.	Check door seal when door is closed.	Door liner damaged.	Replace Door liner.
DEFROSTING is poor.	NO DEFROSTING.	1. If HEATER emits heat.	USE TEST MODE3 (forced DEFROSTING).	HEATER disconnection.	Replace HEATER.
				TEMPERATURE FUSE disconnection.	Replace TEMPERATURE FUSE.
				Connection is poor.	Check EVAPORATOR connection and wire of MAIN PWB CONNECTOR.
				DEFROST-SENSOR is poor.	Replace DEFROST-SENSOR.
				HEATER RELAY is poor.	Replace RY4 of MAIN PWB.
		2. If DRAIN PIPE is blocked.	Check DRAIN PIPE.	DRAIN PIPE is blocked.	Remove ice and impurities.
					Check HEATER PLATE resistance.
		3. If ice remains after DEFROSTING.	Make sure that DEFROST SENSOR is connected.	Connection is poor.	Reassemble the DEFROST-SENSOR.
					Make sure that FREEZER /REFRIGERATOR DOOR is closed.

# 8-4 MAIN PWB ASSEMBLY AND PARTS LIST

## 8-4-1 Main PWB Assembly



8-4-2 Dispenser Drive PWB Assembly





**REPAIR  
PARTS  
LIST**

**MODELS No.**  
795.79732.904  
795.79733.904  
795.79737.904

The model number of your refrigerator is found on the serial plate inside.

All repair parts listed are available for immediate purchase or special order when you visit your nearest Sears Service Center, or the Service Department at most Sears stores. To order parts by phone, call the toll free parts number listed to the left.

When requesting service or ordering parts, always provide the following information:

- Product Type      • Part Number
- Model Number     • Part Description

To call  
Toll Free  
For Parts:

1-800-366-PART  
(1-800-366-7278)

For Service:

1-800-4-MY-HOME  
(1-800-469-4663)

Last Revision: January 18, 2010

**Sears, Roebuck and Co., Hoffman Estates, IL 60179 U.S.A.**

**Get it fixed, at your home or ours!**

**Your Home**

For repair—in your home—of all major brand appliances, lawn and garden equipment, or heating and cooling systems, **no matter who made it, no matter who sold it!**

For the replacement parts, accessories and owner's manuals that you need to do-it-yourself.

For Sears professional installation of home appliances and items like garage door openers and water heaters.

**1-800-4-MY-HOME™** (1-800-469-4663)

Call anytime, day or night (U.S.A. and Canada)

[www.sears.com](http://www.sears.com)    [www.sears.ca](http://www.sears.ca)

**Our Home**

For repair of carry-in items like vacuums, lawn equipment, and electronics, call or go on-line for the location of your nearest **Sears Parts & Repair Center.**

**1-800-488-1222**

Call anytime, day or night (U.S.A. only)

[www.sears.com](http://www.sears.com)

To purchase a protection agreement (U.S.A.) or maintenance agreement (Canada) on a product serviced by Sears:

**1-800-827-6655** (U.S.A.)

**1-800-361-6665** (Canada)

Para pedir servicio de reparación a domicilio, y para ordenar piezas:

**1-888-SU-HOGAR™**  
(1-888-784-6427)

Au Canada pour service en français:

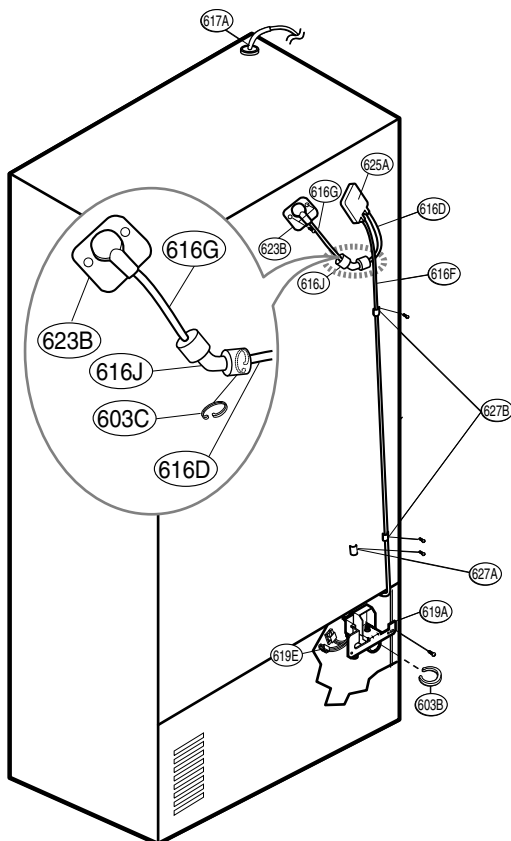
**1-800-LE-FOYER™**  
(1-888-533-6937)  
[www.sears.ca](http://www.sears.ca)



® Registered Trademark /™ Trademark /SM Service Mark of Sears, Roebuck and Co.  
® Marca Registrada /™ Marca de F b r i c a /SM Marca de Servicio de Sears, Roebuck and Co.  
MC Marque de commerce /MO Marque d p o s e de Sears, Roebuck and Co.

© Sears, Roebuck and Co.

**VALVE & WATER TUBE PARTS**



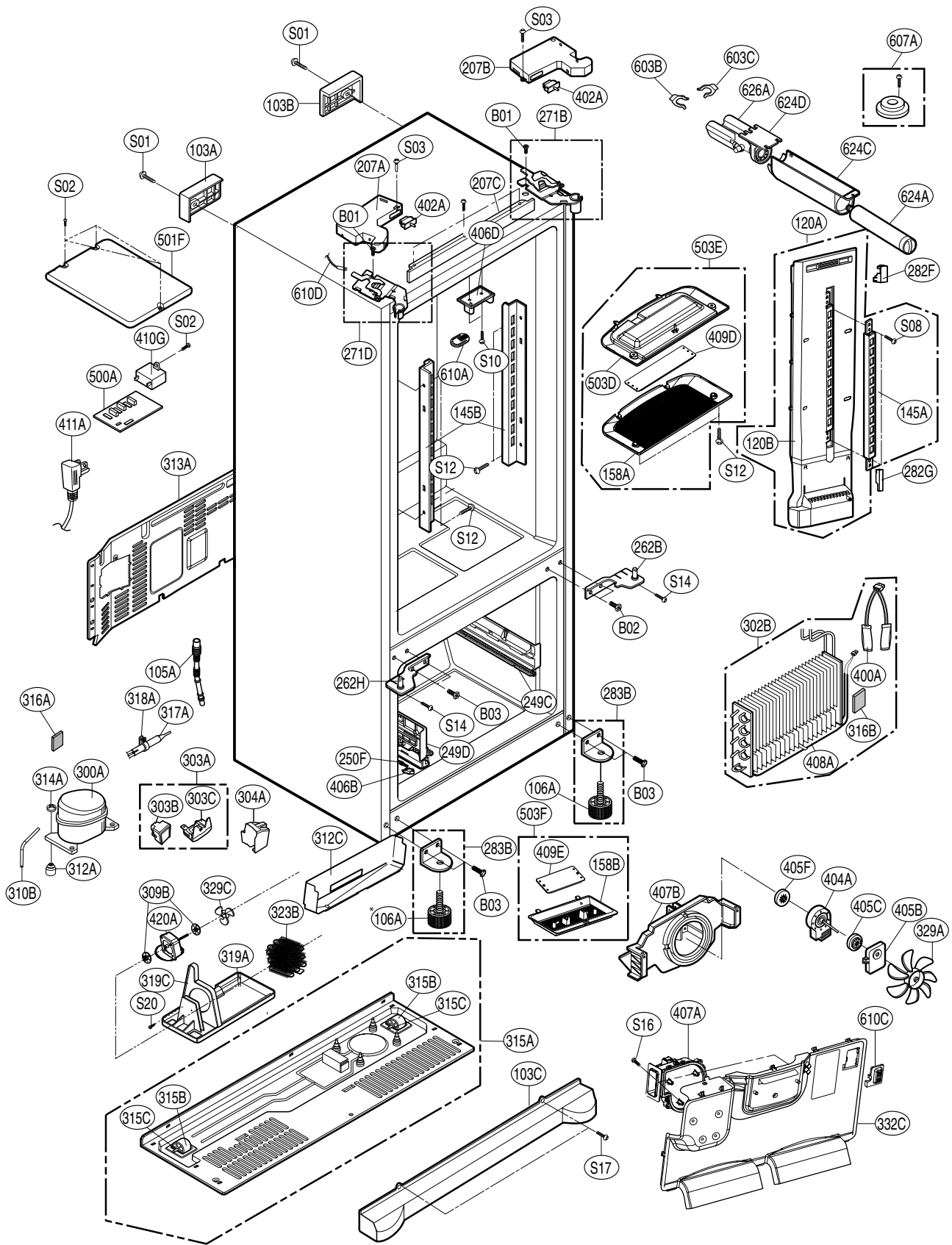
Loc NO.	787**	Desc
603C	4004JA3002A	Clip
603B	4930JA3091A	Holder, Bracket
616D	5210JA3005L	Tube, Plastic
616F	5210JA3004U	Tube, Plastic
616G	AJR56656502	Tube Assembly, Ice Water
616J	4932JA3009A	Connector, Tube
617A	4970JA3004N	Spring
619A	5221JA2011J	Valve Assembly, Water
619E	6877JB3036V	Drawing, Assembly
623B	5006JJ2009A	Cap, Cover
625A	3550JA2184B	Cover, Tube
627A	4930JA3054A	Holder, Pipe
627B	MEG42758601	Holder, Pipe

**CAUTION : Use the part number to order part, not the location number.**

**Part No. MBM57386220**

# CASE PARTS

**CAUTION :** Use the part number to order the part, not the position number.



# CASE PARTS

LOC No.	797*3(ST)	797*2(SW)	797*7(BS)	Des
103A	3650JA2061X	3650JA2061A	3650JA2113N	Handle, Rear
103B	3650JA2061W	3650JA2061B	3650JA2113P	Handle, Rear
103C	ACQ55957504	ACQ55957501	ACQ55957503	Cover Assembly, Lower
105A	5251JA3003E	5251JA3003E	5251JA3003E	Tube Assembly, Drain
106A	4779JJ2001B	4779JJ2001B	4779JJ2001B	Leg Assembly, Adjust
120A	ADJ36702004	ADJ36702004	ADJ36702004	Duct Assembly multy
120B	MCZ47932702	MCZ47932702	MCZ47932702	Duct, Multi
145A	4930JA2080C	4930JA2080C	4930JA2080C	Holder, Shelf
145B	4930JA2081C	4930JA2081C	4930JA2081C	Holder, Shelf
158A	MCK38019301	MCK38019301	MCK38019301	Cover, Lamp
158B	MCK61881701	MCK61881701	MCK61881701	Cover, Lamp
207A	3550JJ1097Q	3550JJ1097A	3550JJ1097E	Cover, Hinge
207B	3550JJ1097R	3550JJ1097B	3550JJ1097F	Cover, Hinge
207C	3806JA2146E	3806JA2146A	3806JA2146C	Decor Assembly, Case
249C	MEG61878402	MEG61878402	MEG61878402	Holder, Rail
249D	AEC72910504	AEC72910504	AEC72910504	Guide Assembly, Rail
262B	AEH71135318	AEH71135326	AEH71135322	Hinge Assembly, Center
262H	AEH71135320	AEH71135328	AEH71135324	Hinge Assembly, Center
271B	AEH60614102	AEH60614102	AEH60614102	Hinge Assembly, Upper
271D	AEH60614101	AEH60614101	AEH60614101	Hinge Assembly, Upper
282F	MBL38019501	MBL38019501	MBL38019501	Cap, Duct
282G	5006JA3111A	5006JA3111A	5006JA3111A	Cap, Duct
283B	4774JJ2008B	4774JJ2008B	4774JJ2008B	Hinge Assembly, Lower
300A	TCA34632301	TCA34632301	TCA34632301	Compressor, Set Assembly
302B	5421JJ1003B	5421JJ1003B	5421JJ1003B	Evaporator Assembly
303A	EBG31940241	EBG31940241	EBG31940241	Thermistor Assembly, PTC
303B	EBG60658602	EBG60658602	EBG60658602	Thermistor Assembly, PTC
303C	6750C-0004U	6750C-0004U	6750C-0004U	Overload Protect
304A	3550JA2042C	3550JA2042C	3550JA2042C	Cover, Relay
310B	4J00977P	4J00977P	4J00977P	Pipe, Compressor Sealing
312A	5040JA3071A	5040JA3071A	5040JA3071A	Damper, Compressor
313A	3551JJ2018A	3551JJ2018A	3551JJ2018A	Cover Assembly, Machinery(Rear)
314A	4620JA3015A	4620JA3015A	4620JA3015A	Stopper, Compressor
315A	3103JJ1001H	3103JJ1001H	3103JJ1001H	Base Assembly, Compressor
315B	4580JJ3001A	4580JJ3001A	4580JJ3001A	Roller
315C	1PZZJA3013B	1PZZJA3013B	1PZZJA3013B	Pin, Common
316A	5072JA3003F	5072JA3003F	5072JA3003F	Damper, Noise
316B	5072JA3003G	5072JA3003G	5072JA3003G	Damper, Noise
317A	5851JA2007E	5851JA2007E	5072JA2007E	Drier Assembly
318A	4930JA3034A	4930JA3034A	4930JA3034A	Holder, Drier
319A	MJS61845701	MJS61845701	MJS61845701	Tray, Drip
319C	MEA42257901	MEA42257901	MEA42257901	Guide, Fan

**CAUTION : Use the part number to order part, not the position number.**



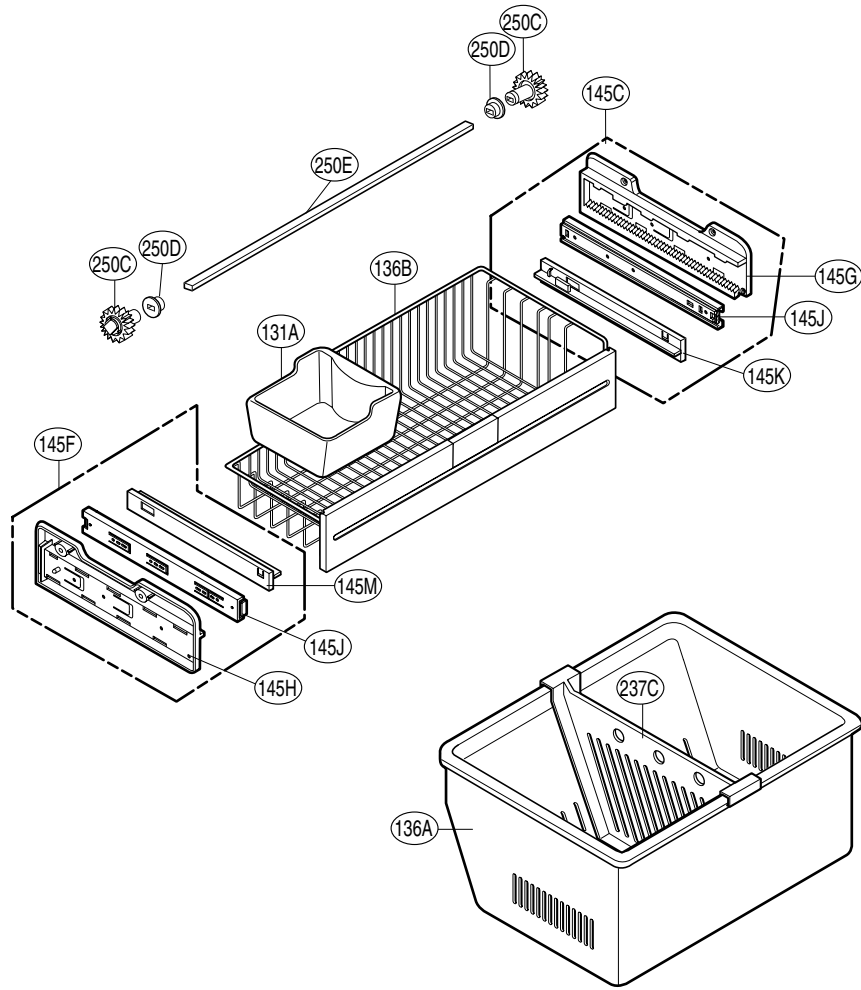
# CASE PARTS

LOC No.	797*3(ST)	797*2(SW)	797*6(BS)	Desc
309B	5040JJ2001A	5040JJ2001A	5040JJ2001A	Damper, Motor Support
312C	3391JJ2013B	3391JJ2013B	3391JJ2013B	Tray Assembly, Drain
323B	ACG72915201	ACG72915201	ACG72915201	Condenser Assembly, Wire
329A	5901JA1021A	5901JA1021A	5901JA1021A	Fan Assembly
329C	ADP36665701	ADP36665701	ADP36665701	Fan Assembly
332C	AEB36999402	AEB36999402	AEB36999402	Grille Assembly, Fan
400A	6615JB2005H	6615JB2005H	6615JB2005H	Controller Assembly
402A	6600JB3007K	6600JB3007L	6600JB3007L	Switch, Push Button
404A	4681JB1027C	4681JB1027C	4681JB1027C	Motor, DC
405B	4810JA2129B	4810JA2129B	4810JA2129B	Bracket, Motor
405C	5040JA2009B	5040JA2009B	5040JA2009B	Damper, Motor Support
405F	5040JA2004B	5040JA2004B	5040JA2004B	Harness, Single
406D	4931JA3006A	4931JA3006A	4931JA3006A	Holder Assembly, Gasket
407A	ADJ72911301	ADJ72911301	ADJ72911301	Duct Assembly, Connector
407B	4810JJ0003B	4810JJ0003B	4810JJ0003B	Bracker, Motor
408A	5300JK1005D	5300JK1005D	5300JK1005D	Heater, Sheath
409D	EAV43060804	EAV43060804	EAV43060804	LED Assembly
409E	EAV43060803	EAV43060803	EAV43060803	LED Assembly
410G	0CZZJB2014K	0CZZJB2014K	0CZZJB2014K	Capacitor, Electric Appliance Film, Box
411A	6411JB1042X	6411JB1042X	6411JB1042X	Power Cord Assembly
420A	4681JB1029D	4681JB1029D	4681JB1029D	DC Motor Assembly
500A	EBR41956436	EBR41956436	EBR41956436	PCB Assembly Main
501F	3551JA2144C	3551JA2144C	3551JA2144C	Cover Assembly, PCB
503D	MBN38018601	MBN38018601	MBN38018601	Case, Lamp
503E	ACQ33676502	ACQ33676502	ACQ33676502	Cover Assembly, Lamp
503F	ACQ33751005	ACQ33751005	ACQ33751005	Cover, Lamp
603B	4930JA3091A	4930JA3091A	4930JA3091A	Holder, Bracket
603C	4004JA3002A	4004JA3002A	4004JA3002A	Clip
607A	4931JA3005B	4931JA3005B	4931JA3005B	Holder Assembly, Bracket
610A	3550JA2247A	3550JA2247A	3550JA2247A	Cover, Sensor
610C	ACQ73244001	ACQ73244001	ACQ73244001	Cover Assembly, Sensor
610D	6500JB2001B	6500JB2001B	6500JB2001B	Sensor
624A	5231JA2006A	5231JA2006A	5231JA2006A	Filter Assembly, Water
624C	3550JD1128B	3550JD1128B	3550JD1128B	Cover Filter
624D	5230JA2003A	5230JA2003A	5230JA2003A	Filter, Head
626A	3550JA2279A	3550JA2279A	3550JA2279A	Cover, Filter
S20	1SZZJA3016A	1SZZJA3016A	1SZZJA3016A	Screw, Customized

**CAUTION : Use the part number to order part, not the position number.**

# FREEZER PARTS

**CAUTION : Use the part number to order part, not the position number.**

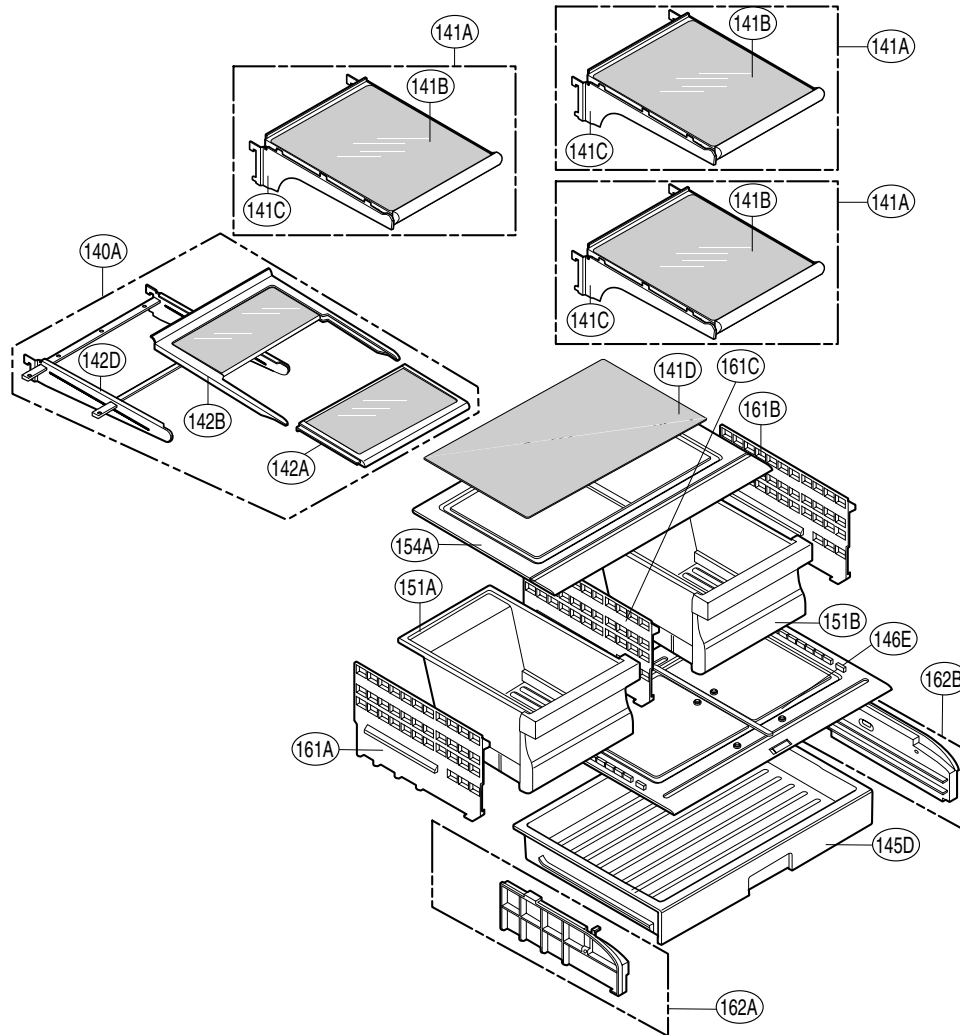


LOC No.	797*3(ST)	797*2(SW)	797*6(BS)	Description
131A	5074JA2004A	5074JA2004A	5074JA2004A	Bucket, Ice
136A	3391JJ2011A	3391JJ2011A	3391JJ2011A	Tray Assembly, Drawer
136B	3391JA2054B	3391JA2054B	3391JA2054B	Tray Assembly, Drawer
145C	4975JA1040A	4975JA1040A	4975JA1040A	Guide Assembly, Rail
145G	4974JA1153B	4974JA1153B	4974JA1153B	Guide, Rail
145H	4974JA1153A	4974JA1153A	4974JA1153A	Guide, Rail
145J	5218JA1008B	5218JA1008B	5218JA1008B	Rail Slide
145K	4932JA1009B	4932JA1009B	4932JA1009B	Connector, Rail
145M	4932JA1009A	4932JA1009A	4932JA1009A	Connector, Rail
145F	4975JA1040C	4975JA1040C	4975JA1040C	Guide Assembly, Rail
237C	4974JJ1032A	4974JJ1032A	4974JJ1032A	Guide, Drawer
250C	4470JA2008A	4470JA2008A	4470JA2008A	Gear, Ice
250D	5006JA2069A	5006JA2069A	5006JA2069A	Cap, Cover
250E	MAK36519001	MAK36519001	MAK36519001	Bar

**CAUTION : Use the part number to order part, not the position number.**

# REFRIGERATOR PARTS

**CAUTION : Use the part number to order part, not the position number.**

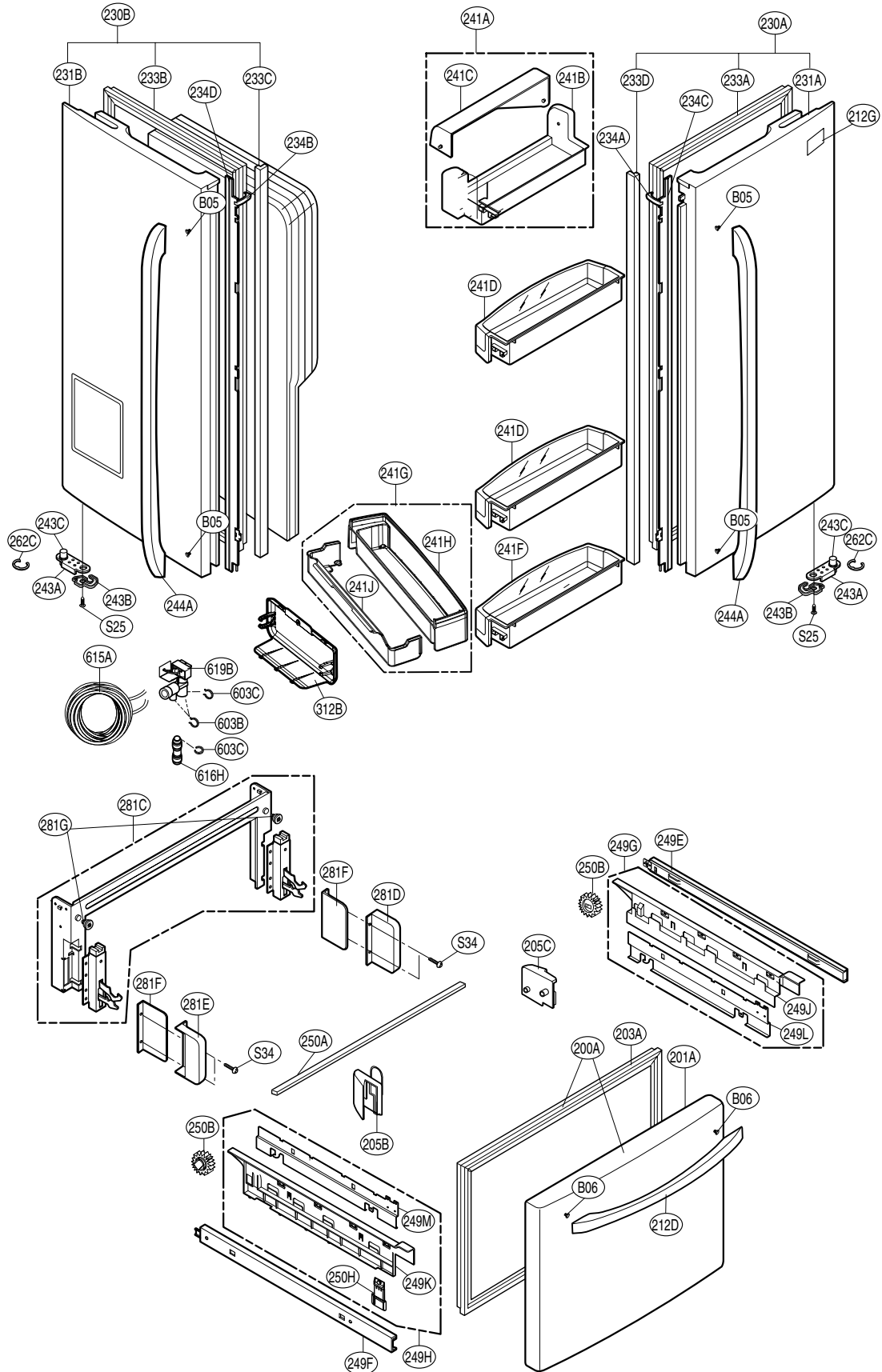


Loc No.	797*3(ST)	797*2(SW)	797*7(BS)	Desc
140A	AHT36706712	AHT36706712	AHT36706712	Shelf Assembly, Refrigerator
141A	AHT36764309	AHT36764309	AHT36764309	Shelf Assembly, Refrigerator
141B	AHT36968109	AHT36968109	AHT36968109	Shelf Assembly, Refrigerator
141C	5027JJ2012E	5027JJ2012E	5027JJ2012E	Shelf Assembly, Net
141D	4890JJ1007Z	4890JJ1007Z	4890JJ1007Z	Shelf, Glass
142A	AHT36963708	AHT36963708	AHT36963708	Shelf Assembly, Refrigerator
142B	AHT36963804	AHT36963804	AHT36963804	Shelf Assembly, Refrigerator
142D	5027JJ2012L	5027JJ2012L	5027JJ2012L	Shelf Assembly, Net
145D	AJP36700902	AJP36700902	AJP36700902	Tray Assembly, Fresh Room
146E	ACQ36701704	ACQ36701704	ACQ36701704	Cover Assembly, Tray
151A	AJP36702119	AJP36702119	AJP36702119	Tray Assembly, Vegetable
151B	AJP36702120	AJP36702120	AJP36702120	Tray Assembly, Vegetable
154A	ACQ36701109	ACQ36701109	ACQ36701109	Cover Assembly, TV
161A	AEC36906403	AEC36906403	AEC36906403	Guide Assembly, TV
161B	AEC36906404	AEC36906404	AEC36906404	Guide Assembly, TV
161C	AEC36702204	AEC36702204	AEC36702204	Guide Assembly, Rail
162A	AEC36702303	AEC36702303	AEC36702303	Guide Assembly, Rail
162B	AEC36702304	AEC36702304	AEC36702304	Guide Assembly, Rail

**CAUTION : Use the part number to order part, not the position number.**

# DOOR PARTS

**CAUTION :** Use the part number to order part, not the position number.

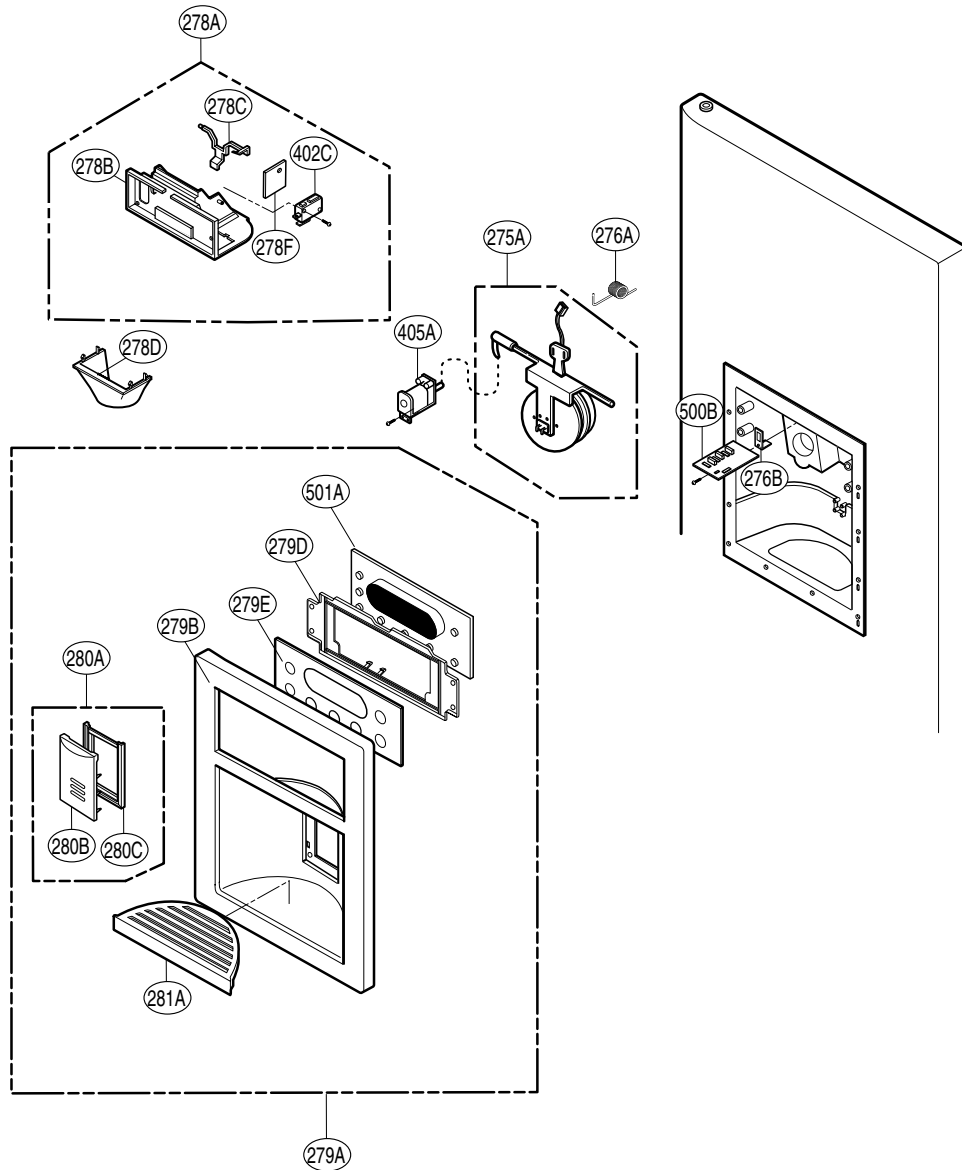


# DOOR PARTS

Loc NO.	797*3(ST)	797*2(SW)	797*7(BS)	Desc
200A	ADC57728012	ADC57728013	ADC57728012	Door Assembly, Freezer
201A	ADD57728201	ADD57728202	ADD57728206	Door Foam Assembly, Freezer
203A	MDS38201406	MDS38201401	MDS38201402	Gasket, Door
205B	5006JJ2013A	5006JJ2013A	5006JJ2013A	Cap, Cover
205C	5006JJ2013B	5006JJ2013B	5006JJ2013B	Holder, Bucket
212D	AED37133214	AED37133216	AED37133218	Handle Assembly, Freezer
212G	3846JD1019B	3846JD1019B	3846JD1019B	Name Plate
230A	ADC57728328	ADC57728326	ADC57728328	Door Assembly, Refrigerator (Right)
230B	ADC36697466	ADC36697465	ADC36697466	Door Assembly, Refrigerator (Left)
231A	ADD57728511	ADD57728509	ADD57728510	Door Foam Assembly, Refrigerator
231B	ADD36652758	ADD57728917	ADD57728918	Door Foam Assembly, Refrigerator
233A	4987JJ2002S	4987JJ2002N	4987JJ2002C	Gasket Assembly, Door
233B	4987JJ2002T	4987JJ2002P	4987JJ2002D	Gasket Assembly, Door
233C	MCK59045801	MCK59045801	MCK59045801	Cover, Front
233D	MCK59045802	MCK59045802	MCK59045802	Cover, Front
234A	4430JJ2004A	4430JJ2004A	4430JJ2004A	Cam, Shaft
234B	4430JJ2004B	4430JJ2004B	4430JJ2004B	Cam, Shaft
234C	4931JJ2002E	4931JJ2002A	4931JJ2002C	Holder Assembly, Gasket
234D	4931JJ2002F	4931JJ2002B	4931JJ2002D	Holder Assembly, Gasket
241A	AAP33686303	AAP33686303	AAP33686303	Basket Assembly, Door
241B	MAN38142901	MAN38142901	MAN38142901	Basket, Door
241C	MAN39723202	MAN39723202	MAN39723202	Basket, Window
241D	AAP36817401	AAP36817401	AAP36817401	Basket Assembly, Door
241F	AAP36817601	AAP36817601	AAP36817601	Basket Assembly, Door
241G	AAP33726606	AAP33726606	AAP33726606	Basket Assembly, Door
241H	AAP33726605	AAP33726605	AAP33726605	Basket Assembly, Door
241J	MAN38154501	MAN38154501	MAN38154501	Basket, Door
243A	4620JJ3006N	4620JJ3006N	4620JJ3006P	Stopper, Door
243B	4620JJ2009A	4620JJ2009A	4620JJ2009A	Stopper, Door
243C	J326-00012A	J326-00012A	J326-00012A	Bush
244A	AED37083010	AED37083012	AED37083014	Handle Assembly, Refrigerator
249E	5218JA1009E	5218JA1009E	5218JA1009E	Rail, Slide
249F	5218JA1009F	5218JA1009F	5218JA1009F	Rail, Slide
249G	5098JA2001F	5098JA2001F	5098JA2001F	Connector Assembly
249H	5098JA2001E	5098JA2001E	5098JA2001E	Connector Assembly
249J	3550JA1456C	3550JA1456C	3550JA1456C	Cover, Connector
249K	3550JA1456D	3550JA1456D	3550JA1456D	Cover, Rail
249L	4932JA1007D	4932JA1007D	4932JA1007D	Connector, Rail
249M	4932JA1007C	4932JA1007C	4932JA1007C	Cover, Rail
250A	MAK39123901	MAK39123901	MAK39123901	Bar
250B	4403JA3005A	4403JA3005A	4403JA3005A	Connector Assembly
262C	4350JA3005B	4350JA3005B	4350JA3005B	Ring
281C	4811JJ2015D	4811JJ2015D	4811JJ2015D	Bracket Assembly, Door
281D	3550JA2267B	3550JA2267B	3550JA2267B	Cover, Hinge
281E	3550JA2267A	3550JA2267A	3550JA2267A	Cover, Hinge
281F	3550JA2264A	3550JA2264A	3550JA2264A	Cover, Hinge
281G	MCQ42969201	MCQ42969201	MCQ42969201	Damper, Pipe
312B	MCK42342101	MCK42342101	MCK42342101	Cover, Front
603B	4930JA3091A	4930JA3091A	4930JA3091A	Holder, Bracket
603C	4004JA3002A	4004JA3002A	4004JA3002A	Clip
615A	4838JA2003B	4838JA2003B	4838JA2003B	Tank, Water
616H	MCD38280801	MCD38280801	MCD38280801	Connector, Tube
619B	5221JB2010G	5221JB2010G	5221JB2010G	Valve Assembly, Water
S34	4501425A	4501425A	4501425A	Screw, Customized

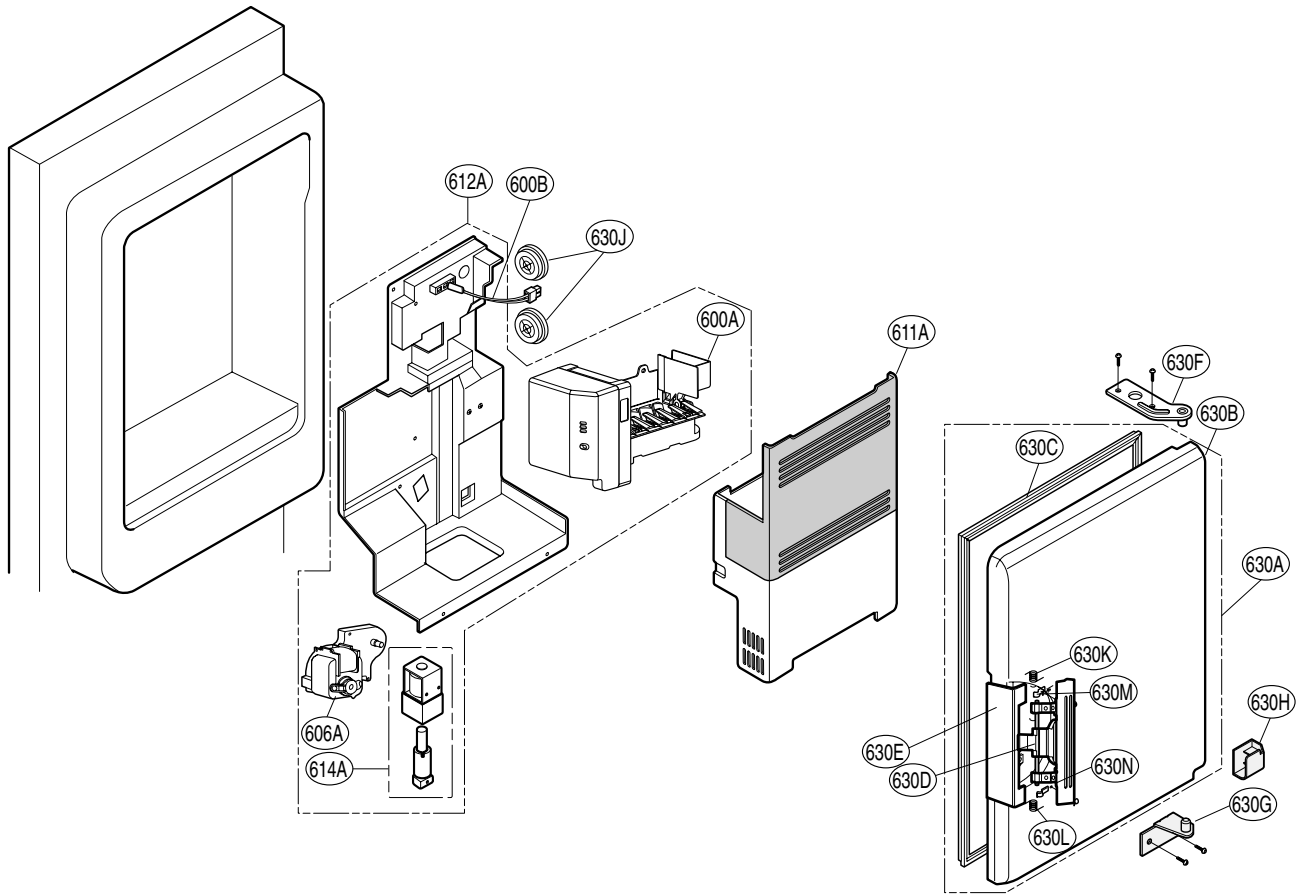
**CAUTION : Use the part number to order part, not the position number.**

# DISPENSER PARTS



Loc NO.	797*3(ST)	797*2(SW)	797*9(BS)	Desc
275A	5007JA3006Z	5007JA3006Z	5007JA3006Z	Cap Assembly, Duct
276A	4970JA3011C	4970JA3011C	4970JA3011C	Spring, Lever
276B	4930JA3043A	4930JA3043A	4930JA3043A	Holder, Lever
278A	3017JA2008H	3017JA2008G	3017JA2008J	Funnel Assembly
278B	MDQ42340402	3210JA1072C	MDQ42340403	Frame, Funnel
278C	4510JA2022A	4510JA2022A	4510JA2022A	Lever, Dispenser
278D	MDR42340501	MDR42340502	MDR42340503	Funnel
278F	6871JB2074A	6871JB2074A	6871JB2074A	PCB Assembly, Display
279A	ACQ36820509	ACQ36820506	ACQ36820510	Cover Assembly, Dispenser
279B	MCK42340001	MCK42340101	MCK42340105	Cover, Dispenser
279D	MCK42494901	MCK42494901	MCK42494901	Cover, PCB
279E	4890JD1111A	4890JD1111A	4890JD1111A	Glass Door
280B	4930JA2074B	4930JA2074B	4930JA2074B	Holder, Button
280C	5020JA2040E	5020JA2040F	5020JA2040K	Button, Lever
281A	MCR42338202	MCR42338201	MCR42338205	Decor, Drain
402C	6600JB3001E	6600JB3001E	6600JB3001E	Switch, Micro
405A	6421JB2002L	6421JB2002L	6421JB2002L	Solenoid, Reversing, Valve
500B	EBR60070706	EBR60070706	EBR60070706	PCB Assembly, Sub
501A	6871JB1451C	6871JB1451C	6871JB1451C	PCB Assembly, Display

# ICE MAKER & ICE BANK PARTS



Loc NO.	797*3(ST)	797*2(SW)	797*9(BS)	Desc
600A	AEQ36756914	AEQ36756914	AEQ36756914	Ice Maker Assembly, Kit
600B	6500JB1008A	6500JB1008A	6500JB1008A	Sensor, Temperature
606A	EAU35872004	EAU35872004	EAU35872004	Motor, AC Auger
612A	EAU60943404	EAU60943404	EAU60943404	Motor, AC
611A	5075JA1044E	5075JA1044E	5075JA1044E	Bucket Assembly, Ice
614A	6421JA3001N	6421JA3001N	6421JA3001N	Solenoid Assembly
630A	ADC33751107	ADC33751107	ADC33751107	Door Assembly, Freeze Room
630B	ADD33178702	ADD33178702	ADD33178702	Door Foam Assembly
630C	4987JA2012B	4987JA2012B	4987JA2012B	Gasket Assembly, Door
630D	MEB49049002	MEB49049002	MEB49049002	Handle, Home Bar
630E	MCR42600501	MCR42600501	MCR42600501	Decor, Handle
630F	4775JA2101A	4775JA2101A	4775JA2101A	Hinge Assembly, Upper
630G	4775JA2102A	4775JA2102A	4775JA2102A	Hinge Assembly, Lower
630H	MCK38202501	MCK38202501	MCK38202501	Cover, Home Bar
630J	EAU35872004	EAU35872004	EAU35872004	Motor, AC Auger
630K	4970JA3044A	4970JA3044A	4970JA3044A	Spring
630L	4970JA3045A	4970JA3045A	4970JA3045A	Spring
630M	4860JA3010B	4860JA3010B	4860JA3010B	Clamp
630N	4860JA3010A	4860JA3010A	4860JA3010A	Clamp



*'You Can Count on me . . .  
to Work Safely.'*