

This Owner's Manual is provided and hosted by [Appliance Factory Parts](#).



VINTAGE HVIR 24 INCH Owner's Manual

[Shop genuine replacement parts for VINTAGE HVIR 24
INCH](#)



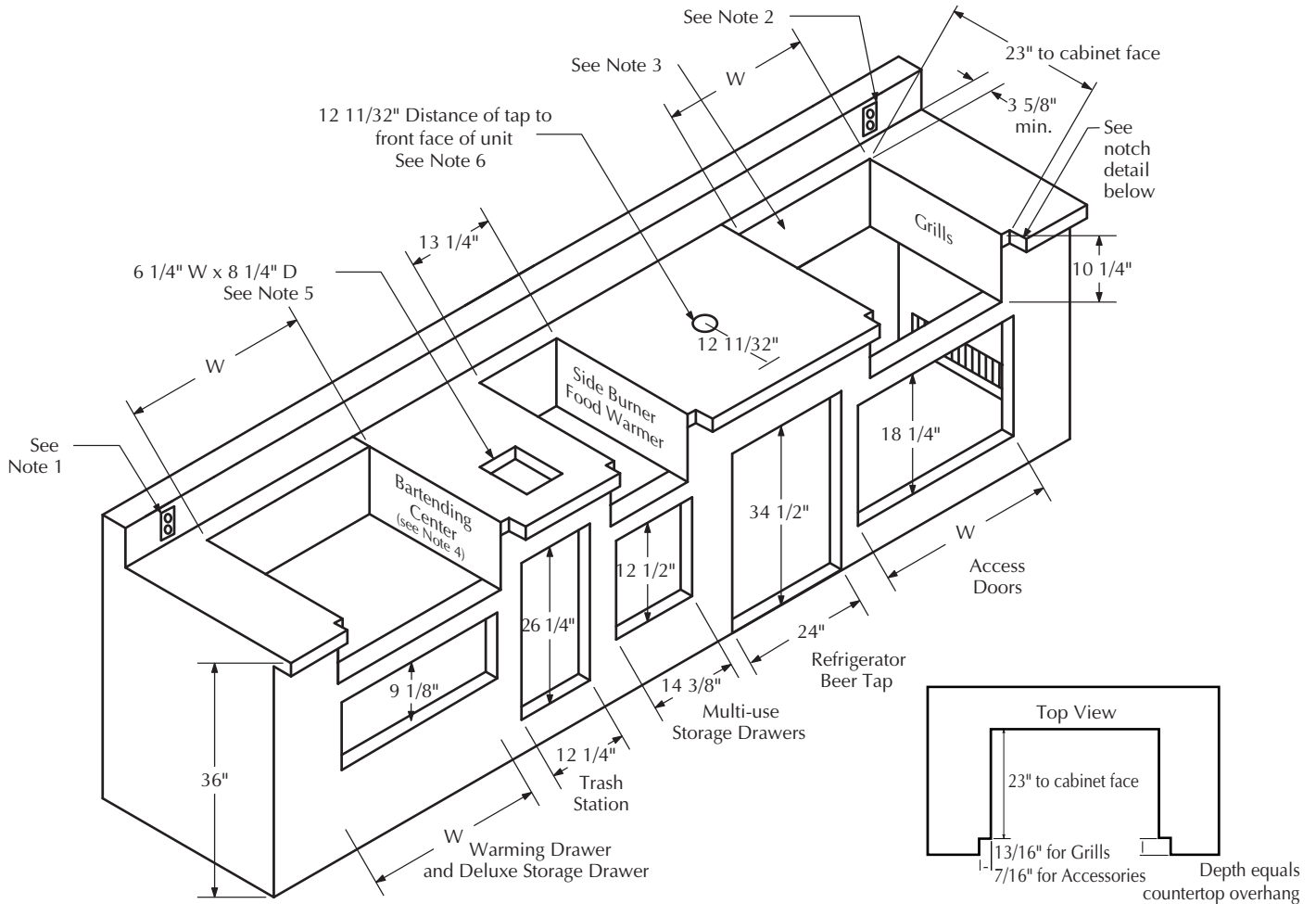
[Find Your VINTAGE Refrigerator Parts - Select From 2 Models](#)

----- Manual continues below -----



Luxury Outdoor Appliances

Built-in Cutout Dimensions



Built-in Cutout Dimensions

- Note 1:** Recommended electrical outlet for blender, appliance, etc.
- Note 2:** Recommended electrical outlet for rotisserie motor, light, etc.
- Note 3:** Combustible cabinets require insulated jackets for fire safety. Insulated jacket, depth = 24 1/2"; height = 11 1/4". Add 6 1/2" to grill cutout width.
- Note 4:** Ground drain recommended (models with sink require a single water supply connection).
- Note 5:** Prep/Waste Chute cutout is 6 1/4" W x 8 1/4" D. Front edge of cutout should be no more than 5" from front of island.
- Note 6:** Refrigerated base installations require 110v 15 amp electrical service.

Cut-out width (Dimension W) for built-in Vintage products

Grills

- VBQ-30 (W= 28 1/2")
- VBQ-42 (W= 40 1/2")
- VBQ-56 (W= 54 1/2")

Bartending Centers

- VDT-14 (W= 13 1/4")
- VDT-24 (W= 23 1/4")
- VDT-30 (W= 28 1/2")

Access Doors

- VD-21 (W= 18 1/4")
- VD-30 (W= 27 1/4")
- VD-42 (W= 39 1/4")

Warming Drawer and Deluxe Storage Drawer

- VRWO36SS (W= 34 5/8")
- VRWO30SS (W= 28 5/8")
- VRWO27SS (W= 25 5/8")

Specifications are subject to change without notice.

www.vintageluxuryappliances.com • 800-998-8966

