

This Owner's Manual is provided and hosted by [Appliance Factory Parts](#).



VINTAGE VPGC366SS Owner's Manual

[Shop genuine replacement parts for VINTAGE
VPGC366SS](#)



[Find Your VINTAGE HVAC Parts - Select From 5 Models](#)

----- Manual continues below -----

Installation Instructions

If you have questions, call 866.357.6420

Vintage Luxury Appliances

Gas Cooktops

30" Natural Gas Models
VPGC304SSNG

30" LP Gas Models
VPGC304SSLP

36" Natural Gas Models
VPGC366SSNG

36" LP Gas Models
VPGC366SSLP

48" Natural Gas Models
VPGC488SSNG

48" LP Gas Models
VPGC488SSLP

PLEASE READ THESE OPERATING INSTRUCTIONS BEFORE INSTALLATION OR USE TO PREVENT ACCIDENTS OR DAMAGE TO THE COOKTOP

ATTENTION INSTALLER: PLEASE LEAVE THESE INSTRUCTIONS WITH THE CONSUMER.

ATTENTION CONSUMER: PLEASE RETAIN THESE INSTRUCTIONS FOR FUTURE REFERENCE.

If you have service or installation questions, please call us at 866.357.6420 or visit our website at www.excellappliances.com

WARNING: If the information in this manual is not followed exactly, a fire or explosion may result causing property damage, personal injury or death.

- Do not store our use gasoline or other flammable vapors and liquids in the vicinity of this or any other appliance.
- WHAT TO DO IF YOU SMELL GAS
 - Do not try to light any appliance.
 - Do not touch any electrical switch.
 - Do not use any phone in your building.
 - Immediately call your gas supplier from a neighbor's phone.
Follow the gas supplier's instructions.
 - If you cannot reach your gas supplier, call the fire department.
- Installation and service must be performed by a qualified installer, service agency, or the gas supplier.

Installation Instructions



BEFORE YOU BEGIN

Read these instructions completely and carefully.

- **IMPORTANT** – Save these instructions for local inspector's use.
- **IMPORTANT** – Observe all governing codes and ordinances.
- **Note to Installer** – Be sure to leave these instructions with the Consumer.
- **Note to Consumer** – Keep these instructions for future reference.
- **Skill Level** – Installation of this cooktop requires basic mechanical and electrical skills.
- **Completion time** – 1 to 3 hours.
- Proper installation is the responsibility of the installer.
- Product failure due to improper installation is not covered under the Warranty.



WARNING:

This appliance must be properly grounded. See "Electric Supply", page 7.

If you received a damaged cooktop, you should contact your dealer.

In the Commonwealth of Massachusetts:

- This product must be installed by a licensed plumber or gas fitter.
- When using ball type gas shut off valves, they shall be T-handle type.
- A flexible gas connector, when used, must not exceed 3 feet.



CAUTION:

THESE COOKTOPS SHOULD BE INSTALLED IN CONJUNCTION WITH A SUITABLE OVERHEAD VENT HOOD. Due to the high heat capacity of this unit, particular attention should be paid to the hood and duct work installation to assure it meets local building codes.

Mobile or Manufactured Homes:

Installation must conform to the Standard for Manufactured Home Installations, ANSI/NCSBCS 225.1, or with applicable codes.

Standard countertop and island installations:

A 1200 CFM hood is recommended for 48" cooktops.

A 600 CFM hood is recommended for 36" cooktops.

Hoods should be 24" min. deep and the same width as the cooktop.

Island installations:

Check local building codes for the proper method of gas cooktop installation. Local codes vary. Installation, electrical connections and grounding must comply with applicable codes. In the absence of local codes, the cooktop should be installed in accordance with the National Fuel Gas Code ANSI 223.1-1990 and National Electrical Code ANSI/NFPA 70-1990.



CAUTION:

These cooktops are extremely heavy. Due to the weight and size of the cooktop and to reduce the risk of personal injury or damage to the product, TWO PEOPLE ARE REQUIRED FOR PROPER INSTALLATION.

Design Information

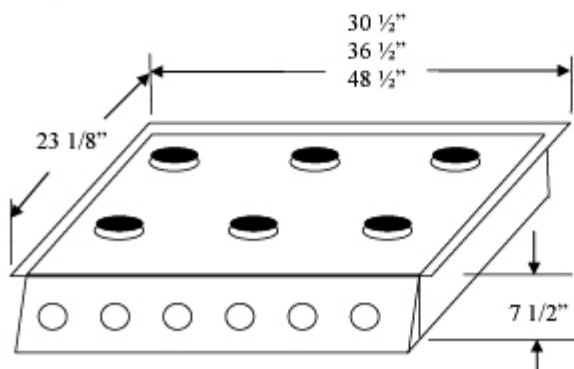
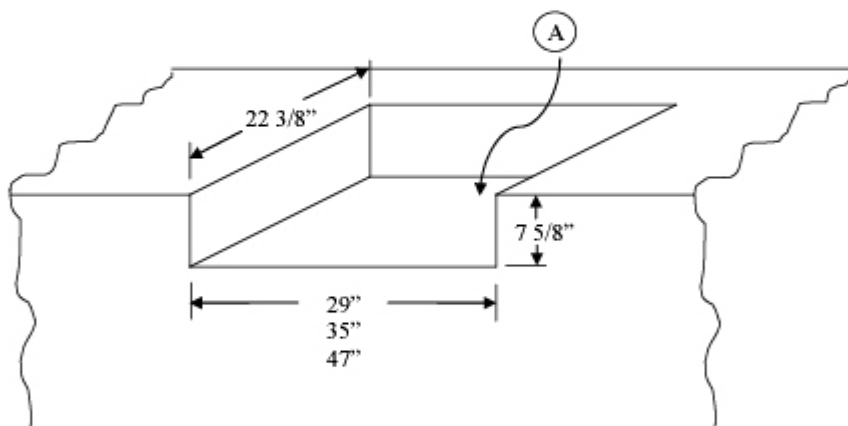
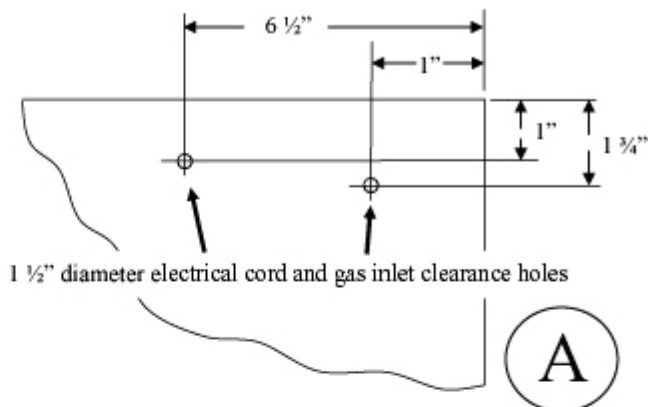
CONTENTS	
<p>Design Information</p> <p>Product Dimensions and Clearances 5</p> <p>Advance Planning 6</p> <p>Installation Preparation</p> <p>Tools and Materials Required 7</p> <p>Power Supply Locations 7</p>	<p>Installation Instructions</p> <p>Step 1, Remove Packaging 8</p> <p>Step 2, Cut the Countertop Opening 8</p> <p>Step 3, Install the Cooktop 9</p> <p>Step 4, Connect Cooktop to Gas 9</p> <p>Step 5, Connect Electrical..... 10</p> <p>Step 6, Assemble Burners, Check Ignition 10</p> <p>Finalize Installation 11</p> <p>Operation Checklist 11</p> <p>Wiring Diagrams 12</p> <p>Warranty Registration 15</p>

<p>MODELS AVAILABLE</p> <p>These cooktops are factory set for either natural gas or liquid propane gas. Order the model for your installation situation.</p>	<p>Natural Gas Models:</p> <p>VPGC304SSNG – 4 gas burners</p> <p>VPGC366SSNG – 6 gas burners</p> <p>VPGC488SSNG – 8 gas burners</p> <p>Liquid Propane Gas Models:</p> <p>VPGC304SSLP – 4 gas burners</p> <p>VPGC366SSLP – 6 gas burners</p> <p>VPGC488SSLP – 8 gas burners</p>
---	--

Design Information

PRODUCT DIMENSIONS AND CLEARANCES

30", 36" and 48"
gas cook top
electrical and
gas inlet
clearance hole
locations -
bottom view,
right rear corner
of unit.



Design Information

ADVANCE PLANNING

Refer to "Dimensions and Clearances" for appropriate placement and necessary clearances when planning the installation.

- Cabinetry can not be installed directly above the cooktop.
- We recommend the installation of a vent hood above the cooktop surface –
 - The vent hood must be at least 24" deep.
 - The vent hood must be the same width as the cooktop.
 - For 48" models, we recommend the vent hood blower be 1200 CFM.
 - For 36" models, we recommend the vent hood blower be 600 CFM.
- Refer to hood installation instructions for height dimensions.
- Working areas adjacent to the cooktop should have 18" minimum clearance between countertop and cabinet bottom.
- Clearance between cooktop and side wall, combustible material, or additional appliances must be at least 12" on each side.
- These cooktops require 8" free space below the countertop.
- Allow 1.5" min. clearance at the back to combustible materials.
- Allow 36" min. above the cooking surface to combustible materials.
- Installation must conform with local codes. In the absence of local codes, the gas cooktop must comply with the National Fuel Gas Code, ANSI Z223.1/NFPA.54, latest edition. In Canada, installation must conform with current Natural Gas Installation Code, CAN/CGA-B149.1 or the current Propane Installation Code, CAN/CGA-B149.2, and with local codes where applicable. This cooktop has been design-certified by CSA International according to ANSI Z21.1, latest edition and Canadian Gas Association according to CAN/CGA-1.1 latest edition.

Installation Preparation

TOOLS REQUIRED

- Saw
- Measuring tape
- Carpenter's square
- Large flat-blade screwdriver
- Pipe wrench

MATERIALS REQUIRED (not supplied)

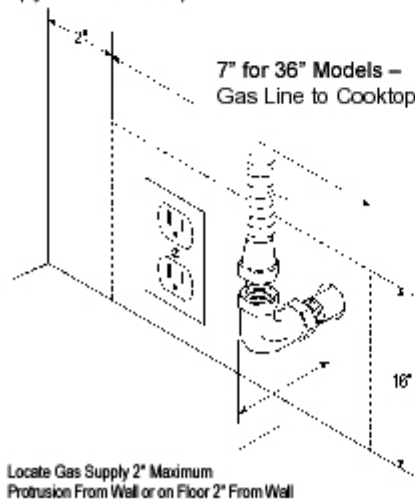
- Pipe and fittings as required
- Manual gas line shut-off valve
- Gas pressure regulator (supplied)
- Gas-resistant pipe joint sealant
- 5 foot, 5/8" AGA-certified flexible metal gas supply line (length must comply with local codes)
 - If required by local codes, use solid pipe fittings.

NOTE: Purchase new flexible line. DO NOT USE OLD, PREVIOUSLY USED FLEXIBLE LINE.

POWER SUPPLY LOCATIONS

Gas Supply:

- The pressure regulator must be connected in series with the manifold of the cooktop and must remain in series with the supply line regardless of the type of gas being used.
- The natural gas models are designed to operate at 5" water column pressure. A regulator is required at the natural gas source to provide a maximum of 7" water pressure to the cooktop regulator.
- The liquid propane models are designed to operate at 10" water column pressure. A regulator is required at the LP source to provide a maximum of 14" water pressure to the cooktop regulator.
- These gas cooktops are supplied with 1/2" NPT female gas connection located at the left rear corner.
- A minimum 5/8" dia. metal flexible line is required.
 - Use 5-foot long 5/8" flexible metal tubing. (Length must comply with local codes.)



- For rigid connection, locate the pipe stub within area shown.
- Install a manual shut-off valve in the gas line, in an easily accessible location.

Electric Supply:

These cooktops must be supplied with 120 volt, 60 Hz., and connected to an individual, properly grounded branch circuit protected by a 15 amp circuit breaker or time delay fuse.

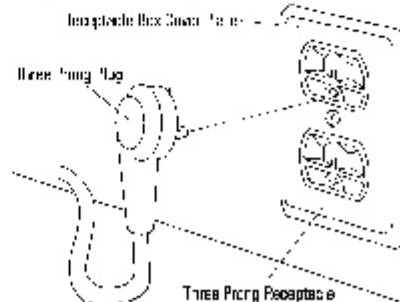
The power cord of this appliance is equipped with a three-prong (grounding) plug which mates with a standard three-prong grounding wall receptacle to minimize the possibility of shock hazard from this appliance.

If the electrical service provided does not meet the above specifications, it is recommended that a licensed electrician install an approved outlet.

DO NOT UNDER ANY CIRCUMSTANCES, CUT OR REMOVE THE THIRD (GROUND) PRONG FROM THE POWER CORD.

DO NOT USE AN EXTENSION CORD WITH THIS APPLIANCE.

- Locate the electric supply within the area shown or within reach of the cooktop's six foot power cord.
- To avoid tangling cord with items stored in the cabinet, locate the receptacle on rear wall, inside the cabinet.



Installation

STEP 1 REMOVE PACKAGING

Use a hand-truck to move this cooktop.

Before moving the cooktop indoors:

- Remove outer carton and packing.
- Remove burner cap assemblies and regulator from packaging inserts.
- Remove grates from the top of the cooktop.

• Flatten the carton and use a piece as a pad on the bottom and back of the hand-truck. Lift the cooktop onto the hand-truck standing on its end, with the bottom of the cooktop resting against the back of the hand-truck.

Move the cooktop indoors:

If door and passageways into the installation location are less than 30" wide, remove the cooktop knobs.

STEP 2 CUT THE COUNTERTOP OPENING

Measure carefully when cutting the countertop. Make sure sides of the opening are parallel.

- These cooktops requires 8" free space below the countertop.
 - These Cooktops are designed to hang from the countertop from its rear and side flanges.
 - Smooth any rough edges on the countertop before installing the cooktop.
 - Formica countertop edges must be finished.
- The countertop must be strong enough to support the weight of the cooktop.

- Support cleats can be secured to cabinet sides.

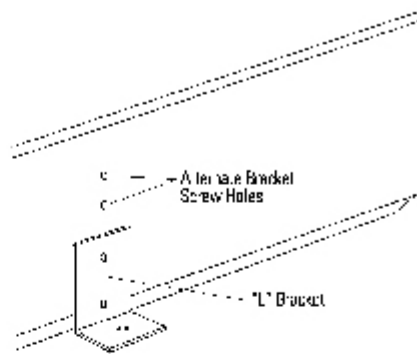
OR

- Build a support deck or box inside the cabinet which will support the weight of the cooktop.
 - Build the support box using a solid material, cut a 5" x 5" square in the right rear corner for the gas inlet and power cord clearances.

Installation

STEP 3 INSTALL COOKTOP

- Lower the cooktop into the opening. Make sure the cooktop is evenly seated and supported. A side frame gasket will seal the cooktop to the countertop.
- "L" brackets with screws are provided to secure the cooktop to the countertop or to adjacent cabinetry.
- Select the bracket location, secure the bracket to the cooktop with 2 screws.
- Drive one screw through the bottom of the "L" bracket and into countertop or side cleats.



STEP 4 CONNECT COOKTOP TO GAS

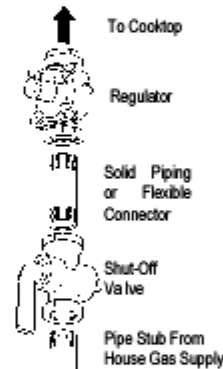
A manual shut-off valve must be installed where it will be accessible.

Assure that gas is turned off at the shut-off valve.

- Install the supplied pressure regulator and nipple in the gas line as close to the cooktop inlet as possible.
- Make sure the regulator is installed in the right direction. See arrow on the underside of the regulator.

NOTE: Instead of using solid piping to connect to pressure regulator, an approved flexible metal appliance connector may be used between the pipe stub and the shut-off valve to the pressure regulator, if local codes permit.

- Appropriate flare nuts and adapters are required at each end of the flexible connector.



CAUTION: Do not use a flame to check for gas leaks.



IMPORTANT: Disconnect the cooktop and the individual shut-off valve from the gas supply piping system during any pressure testing of that system at test pressures greater than 1/2 psig. Test @ 5" W.C. (water column) for NG and 11" W.C. for LP. Isolate the cooktop from the gas supply piping system by closing the individual manual shut-off valve to the cooktop during any pressure testing of the gas supply piping system at test pressures equal to or less than 1/2 psig.

- Turn on gas and check for leaks:
 - Use a liquid leak detector at all joints and connections in the system according to manufacturer's instructions.

Installation

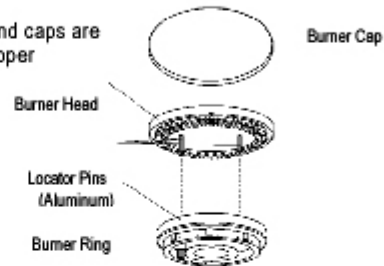
STEP 5 CONNECT ELECTRICAL

Plug power cord into properly grounded receptacle.

STEP 6 ASSEMBLE BURNERS, CHECK IGNITION, CHECK LIGHTS

Assemble burners as shown. Check to be sure that burner heads and caps are securely seated. Pin(s) must completely engage holes to ensure proper assembly.

- Check for proper ignition: (Brass)
 - Push in one control knob and turn 90° to HI position.
 - The igniter will spark and the burner will light; the igniter will cease sparking when the burner is lit.



- Ensure that each blue LED light remains on beneath each burner knob that is in use.
- All LED lights will flash when sparking occurs.
- First test may require some time while air is flushed out of the gas line.
- Turn knob to OFF.
- Repeat the procedure for each burner.



CAUTION:

White ceramic igniters mounted on the cooktop surface are **FRAGIL** and care should be used when installing the burner assembly or during cleaning.

IMPORTANT: If the igniter electrodes continue to spark after the burners are lit, check that each burner component is assembled and seated properly by observing constant gaps between each layer. Disassemble and reassemble as required.

- Burner flames should be blue and stable with no yellow or yellow tips, excessive noise or lifting of the flame from the burner. If any of these conditions exist, check that the burner ports are not blocked.

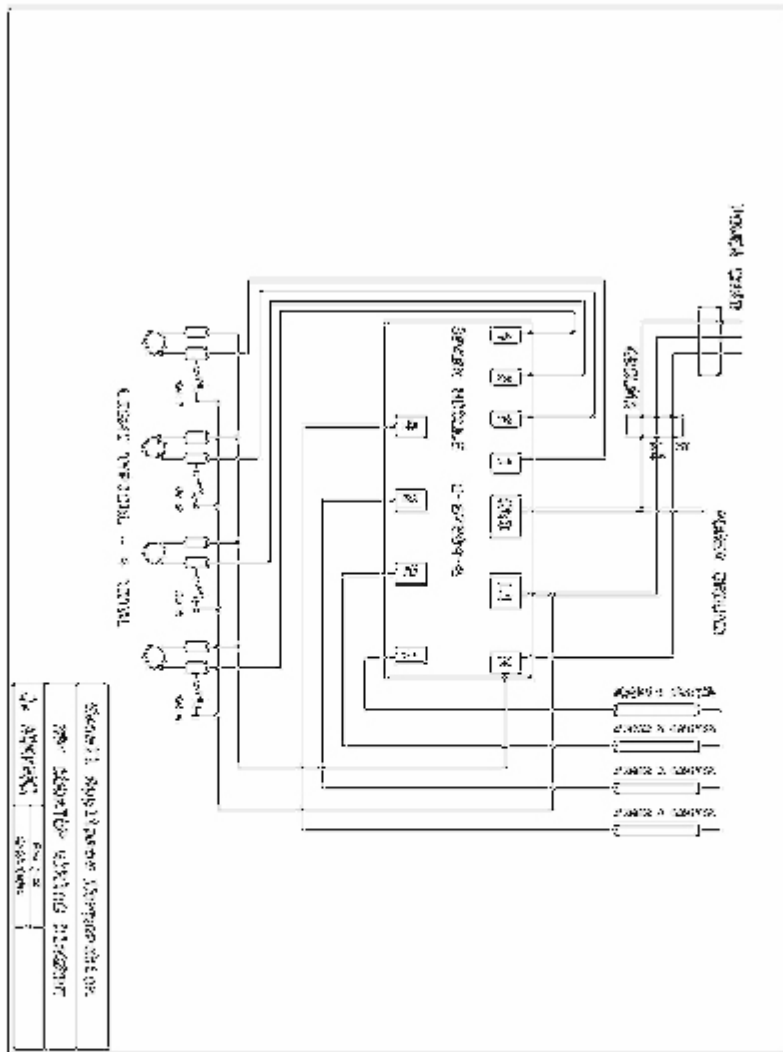
Installation

FINALIZE INSTALLATION

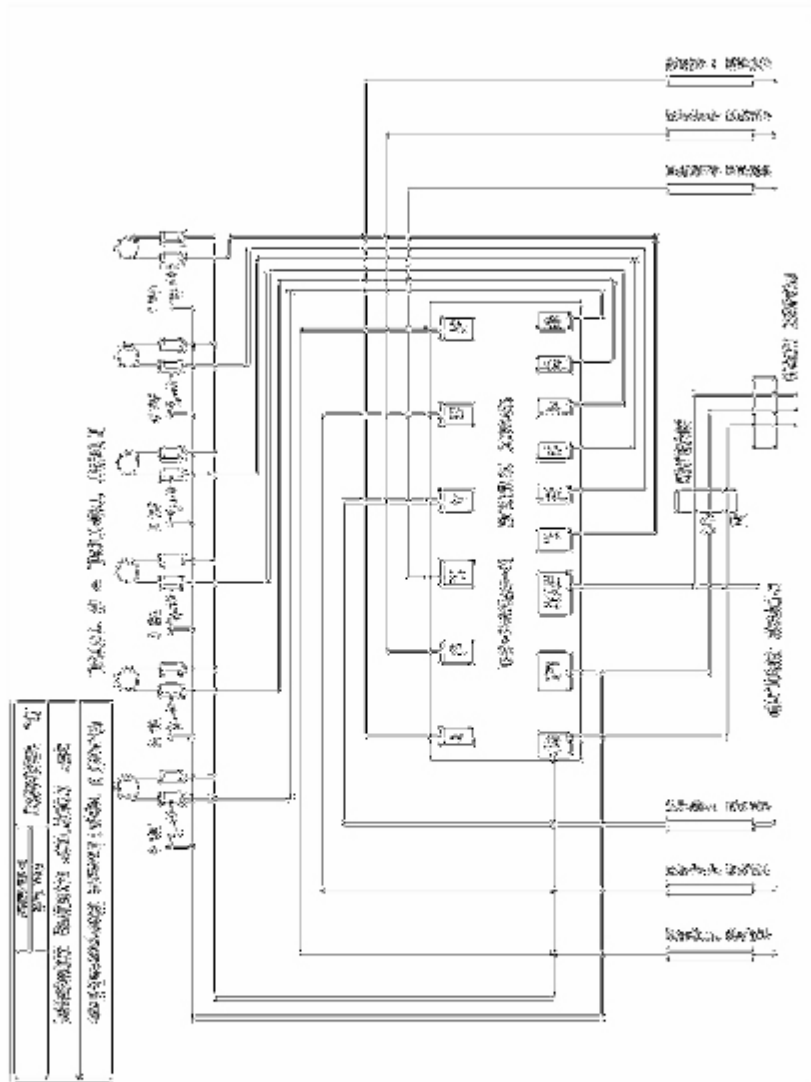
- Place the burner grates over the burners.
- Press corner of the grate to the cooktop. The grates should be seated and should not rock.
- The grates are designed to be stationary and should only be removed for cleaning.

OPERATION CHECKLIST

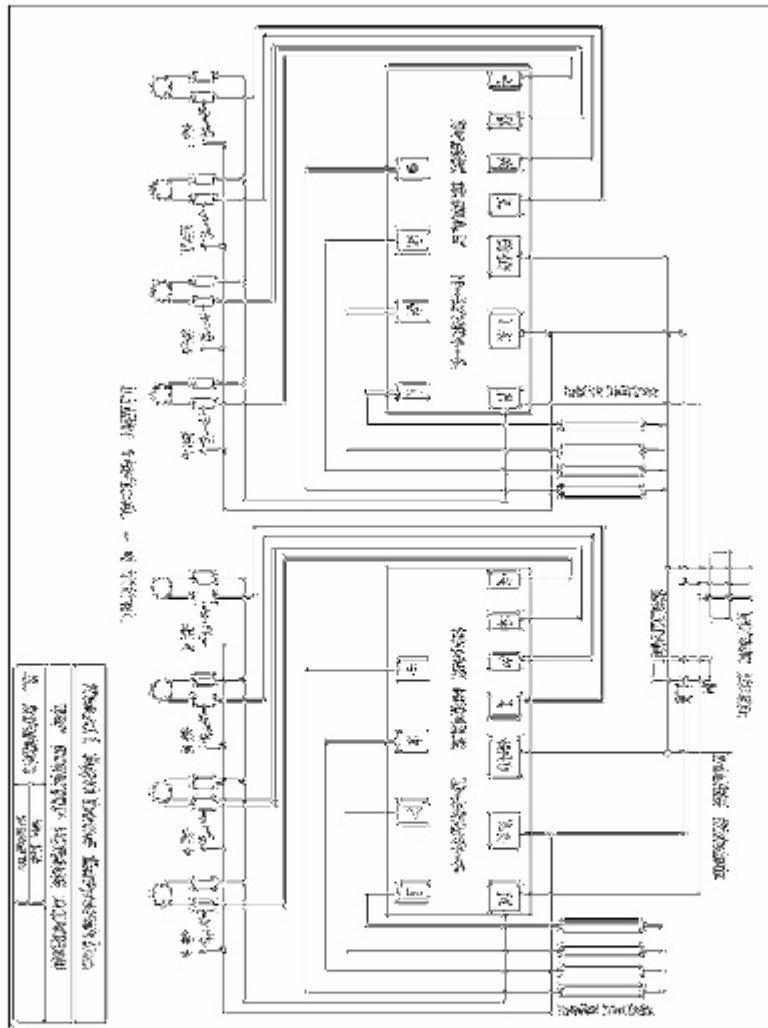
- Double check to make sure everything in this manual has been completed. Rechecking steps will ensure safe use of the cooktop.
- Make sure all controls are left in the OFF position.
- Make sure the flow of combustion and ventilation air to the cooktop is unobstructed.
- The serial plate for your cooktop is located next to the gas inlet on the bottom of the burner box. In addition to the model and serial numbers, it tells you the ratings of the burners and the type of fuel and pressure the cooktop was adjusted for when it left the factory.



30" Cooktop Wiring Diagram



36" Cooktop Wiring Diagram



48" Cooktop Wiring Diagram

Customer Service (866) 357-6420 Extension #4 E-MAIL:

COOKING@EXCELLAPPLIANCES.COM

VISIT US AND REGISTER ON-LINE AT: WWW.EXCELLAPPLIANCES.COM

[Back To Vintage Cooktop Page](#)