



# 3 Way™ / FeatherWeight™

## USER'S GUIDE

### MODEL 3106 SERIES



3 Safety Instructions

4 Product View

5 Operating Instructions

5-6 Maintenance

6 Troubleshooting

7 Replacement Parts

7 Consumer Services

8 Warranty



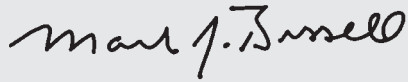
Thanks for Buying a BISSELL 3 Way™ / FeatherWeight™ Vacuum

We're glad you purchased a BISSELL 3 Way / FeatherWeight Vacuum. Everything we know about floor care went into the design and construction of this lightweight and versatile vacuum.

Your BISSELL 3 Way / FeatherWeight is well made, and we back it with a limited one-year warranty. We also stand behind it with a knowledgeable, dedicated Consumer Services Department, so, should you ever have a problem, you'll receive fast, considerate assistance.

My great-grandfather invented the floor sweeper in 1876. Today, BISSELL is a global leader in the design, manufacture, and service of high quality homecare products like your BISSELL 3 Way / FeatherWeight Vacuum.

Thanks again, from all of us at BISSELL.



Mark J. Bissell  
President and Chief Executive Officer

# IMPORTANT SAFETY INSTRUCTIONS

When using an electrical appliance, basic precautions should be observed, including the following:

## READ ALL INSTRUCTIONS BEFORE USING YOUR VACUUM.

Always connect to a polarized outlet (left slot is wider than right). Unplug from outlet when not in use and before conducting maintenance.

 **WARNING:** To reduce the risk of fire, electric shock, or injury:

- Do not modify the polarized plug to fit a non-polarized outlet or extension cord.
  - Do not leave vacuum cleaner unattended when it is plugged in.
  - Unplug from outlet when not in use and before servicing.
  - Do not use outdoors or on wet surfaces.
  - Do not allow children to operate vacuum cleaner or use as a toy.
  - Close attention is necessary when used by or near children.
  - Do not use for any purpose other than described in this User's Guide.
  - Use only manufacturer's recommended attachments.
  - Do not use with damaged cord or plug.
  - If appliance is not working as it should, has been dropped, damaged, left outdoors, or dropped into water, have it repaired at an authorized service center.
  - Do not pull or carry by cord, use cord as a handle, close a door on cord, or pull cord around sharp edges or corners. Do not run appliance over cord. Keep cord away from heated surfaces.
  - Do not unplug by pulling on cord. To unplug, grasp the plug, not the cord.
  - Do not handle vacuum cleaner or plug with wet hands.
  - Do not put any object into openings. Do not use with any opening blocked; keep openings free of dust, lint, hair, and anything that may reduce air flow.
- Keep hair, loose clothing, fingers, and all parts of body away from openings.
  - Turn off all controls before plugging or unplugging vacuum cleaner.
  - Use extra care when cleaning stairs.
  - Do not pick up flammable materials (lighter fluid, gasoline, kerosene, etc.) or use in the presence of explosive liquids or vapors.
  - Do not pick up toxic material (chlorine bleach, ammonia, drain cleaner, etc.).
  - Do not use vacuum cleaner in an enclosed space filled with vapors given off by oil base paint, paint thinner, some moth proofing substances, flammable dust, or other explosive or toxic vapors.
  - Do not pick up hard or sharp objects such as glass, nails, screws, coins, etc.
  - Do not pick up anything that is burning or smoking, such as cigarettes, matches, or hot ashes.
  - Do not use without filters in place.
  - Use only on dry, indoor surfaces.
  - Keep appliance on a level surface.
  - Do not carry the vacuum cleaner while it is running.

**WARNING:**The power cord on this product contains lead, a chemical known to the State of California to cause birth defects or other reproductive harm.

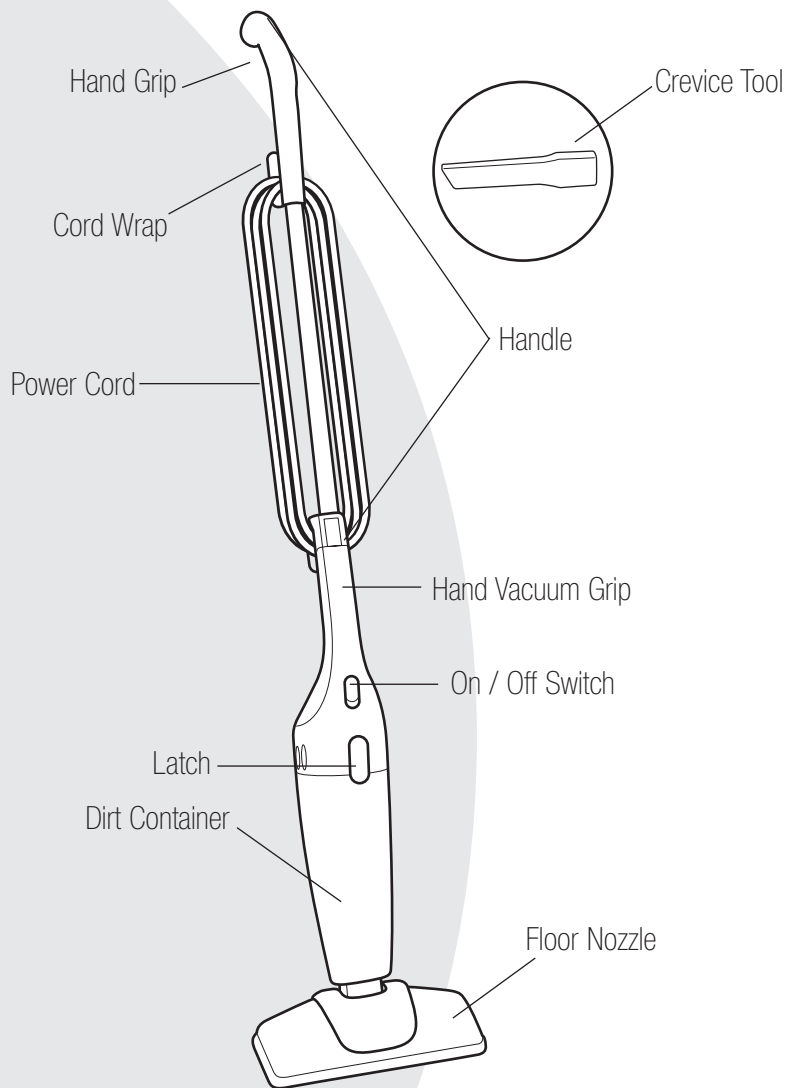
**Wash hands after handling.**

## SAVE THESE INSTRUCTIONS FOR FUTURE USE.

## THIS APPLIANCE HAS A POLARIZED PLUG.

To reduce the risk of electric shock, this appliance has a polarized plug (one blade is wider than the other). This plug will fit in a polarized outlet only one way. If the plug does not fit fully in the outlet, reverse the plug. If it still does not fit, contact a qualified electrician to install a proper outlet. Do not change the plug in any way.

This model is for household use only.



## How to Use This Guide

This User's Guide has been designed to help you get the most satisfaction from your BISSELL 3 Way / FeatherWeight Vacuum. You'll find operating instructions, safety precautions, as well as maintenance and troubleshooting instructions. Please read this Guide thoroughly before using your vacuum cleaner.

**CAUTION:**  
Do not plug in your vacuum cleaner until you are familiar with all instructions and operating procedures.

## How to Use Your BISSELL 3 Way / FeatherWeight Vacuum

Your 3 Way / Featherweight Vacuum may be used in one of three ways. See instructions below for converting your vacuum to best meet each need.

- 1. As a Floor Vacuum:**  
Open the Latch at the base of the Hand Vacuum Grip and insert Handle. Once Handle is all the way inserted into the body of the vacuum, press the Latch closed to secure the Handle in place. Attach the Floor Nozzle by inserting it into the opening at the bottom of the Dirt Container. Press firmly to secure in place.
- 2. As a Hand Vacuum:**  
Release the Latch from the Handle and pull Handle away from the unit. Press the Latch closed.
- 3. As a Multi-Purpose Vacuum:**  
The Crevice Tool and Floor Nozzle may be used with either the Hand Vacuum or the Floor Vacuum. To use for cleaning in tight spaces, insert the Crevice Tool into the opening at the bottom of the Dirt Container. Press firmly to secure in place. To clean a wider surface, remove the Crevice Tool and attach the Floor Nozzle by inserting it into the opening at the bottom of the Dirt Container. Press firmly to secure in place.

### Power Cord Storage

- 1.** Turn Vacuum off.
- 2.** Unplug Power Cord by grasping the polarized plug, NOT the cord, and disconnect from outlet.
- 3.** Loop Power Cord around Cord Wraps on the Handle.
- 4.** Clip molded plug to Power Cord to secure.

### Maintenance

To maintain maximum performance from your BISSELL 3 Way / FeatherWeight Vacuum, perform these simple maintenance checks:



### Emptying the Dirt Container

- 1.** To remove dirt from the Dirt Container and Filter, hold the vacuum vertically as shown. Depress and hold Latch on top of the vacuum to release the Dirt Container.
- 2.** Gently pull Dirt Container away from the Hand Vacuum Grip and empty into waste container.
- 3.** The Dirt Container may be rinsed with warm water and a mild detergent if needed. The Dirt Container must be thoroughly dried before replacing.
- 4.** Attach Dirt Container to vacuum by depressing Latch and securely fitting onto Hand Grip. Make sure Dirt Container is correctly secured.

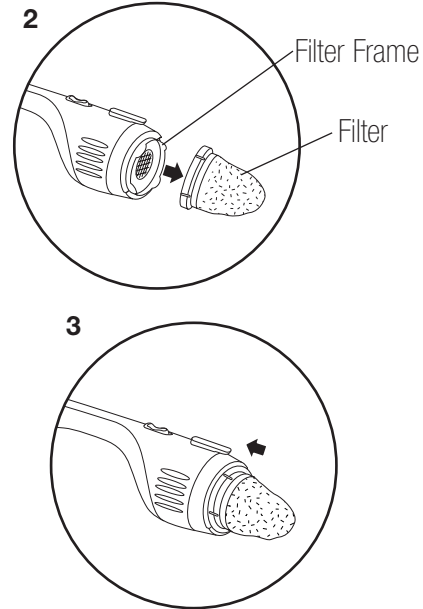
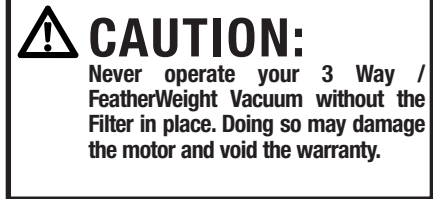


## Cleaning the Filter

The key to maximum performance is a clean Filter. Cleaning the Filter after each use will help your 3 Way / FeatherWeight Vacuum operate at peak efficiency.

Use only BISSELL Replacement Filters (#32019) in your BISSELL 3 Way / Featherweight.

1. Follow the steps on page 5 to remove Dirt Container.
2. Remove Filter from the Filter Frame and shake over a waste container.
3. To replace the Filter back onto the Filter Frame, line up the curved tabs of the Filter Frame with the curved notches on the Filter, and push together to secure. Filter should be fully pressed against the unit to prevent dust from escaping.
4. Attach Dirt Container to vacuum by depressing Latch and securely fitting onto Hand Vacuum Grip. Make sure Dirt Container is correctly secured.
5. After heavy usage, you may clean the Filter by washing it gently by hand in warm water and mild dish detergent. Rinse thoroughly and make certain it is completely dry before replacing it. If Filter is torn, replace it with a new Filter.



## Troubleshooting

### Vacuum cleaner won't run.

#### Possible Causes

- Power Cord not firmly plugged in.
- Blown household fuse or breaker.

#### Remedies

- Check electrical outlet.
- Check/replace fuse; reset breaker.

### Vacuum cleaner doesn't vacuum effectively.

#### Possible Causes

- Filter clogged, wet or dirty.
- Dirt Container clogged.

#### Remedies

- Follow instructions for cleaning Filter.
- Follow instructions for emptying Dirt Container.

### Dust blows out of the air vents.

#### Possible Cause

- Filter not properly secured to Filter Frame.

#### Remedy

- Follow instructions for replacing Filter.  
(see Step 3 above)

If suggested remedies do not correct the problem, call:

### BISSELL Consumer Services

**1-800-237-7691**

Monday - Friday 8 a.m. — 10 p.m. ET  
Saturday 9 a.m. — 8 p.m. ET

or visit the BISSELL website - [www.bissell.com](http://www.bissell.com)



## Replacement Parts - BISSELL 3 Way / FeatherWeight Vacuum

You may purchase replacement parts by calling BISSELL Consumer Services or by visiting our website. To place an order using VISA, MasterCard, Discover or American Express, call:

### BISSELL Consumer Services

**1-800-237-7691**

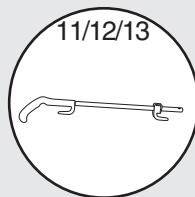
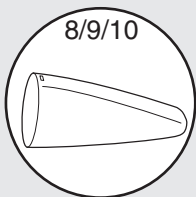
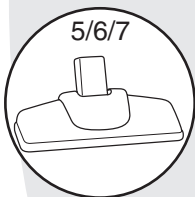
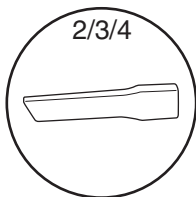
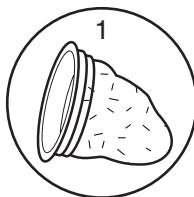
Monday - Friday 8 a.m. — 10 p.m. ET

Saturday 9 a.m. — 8 p.m. ET

Or visit our website - [www.bissell.com](http://www.bissell.com)

**NOTE: Check the label on the underside of your vacuum to determine the model number.**

Item	Part Name	Model Number	Part Number
1	Filter	All 3106 series	32019
2	Crevice Tool	3106	203-2202
3	Crevice Tool	3106-3	203-2206
4	Crevice Tool	3106-N	203-1104
5	Floor Nozzle	3106	203-2203
6	Floor Nozzle	3106-3	203-2207
7	Floor Nozzle	3106-N	203-1120
8	Dirt Container	3106	203-2204
9	Dirt Container	3106-3	203-2208
10	Dirt Container	3106-N	203-1124
11	Handle	3106	203-2205
12	Handle	3106-3	203-2209
13	Handle	3106-N	203-1125



## BISSELL Consumer Services

For information about repairs or replacement parts, or questions about your warranty, call:

### BISSELL Consumer Services

**1-800-237-7691**

Monday - Friday 8 a.m. — 10 p.m. ET

Saturday 9 a.m. — 8 p.m. ET

Or write:

BISSELL Homecare, Inc.

PO Box 3606

Grand Rapids MI 49501

ATTN: Consumer Services

Or visit the BISSELL website - [www.bissell.com](http://www.bissell.com)

When contacting BISSELL, have the Model Number of your unit available.

Please record your Model Number: \_\_\_\_\_

Please record your Purchase Date: \_\_\_\_\_

**NOTE: Please keep your original sales receipt. It is your warranty.**

## About Your Warranty

This warranty gives you specific legal rights, and you may also have other rights which may vary from state to state. If you need additional instruction regarding this warranty or have questions regarding what it may cover, please contact BISSELL Consumer Services by E-mail, telephone, or regular mail as described below.

### Limited One Year Warranty

Subject to the \*EXCEPTIONS AND EXCLUSIONS identified below, upon receipt of the product, BISSELL Homecare, Inc. will repair or replace (with new or remanufactured components or products), at BISSELL's option, free of charge from the date of purchase by the original purchaser, for one year any defective or malfunctioning part.

See information below on "If your BISSELL product should require service".

This warranty applies to product used for personal, and not commercial or rental service. This warranty does not apply to fans or routine maintenance components such as filters, belts, bags, or brushes. Damage or malfunction caused by negligence, abuse, neglect, unauthorized repair, or any other use not in accordance with the User's Guide is not covered.

### If your BISSELL product should require service:

Contact BISSELL Consumer Services to locate a BISSELL Authorized Service Center in your area.

Please keep your original receipt. Your dated sales receipt is your warranty.

If you need information about repairs or replacement parts, or if you have questions about your warranty, contact BISSELL Consumer Services.

#### Website or E-mail:

[www.bissell.com](http://www.bissell.com)  
Click on "Customer Service"

#### Or Call:

BISSELL Consumer Services  
1-800-237-7691  
Monday - Friday 8 a.m. - 10 p.m. ET  
Saturday 9 a.m. - 8 p.m. ET

#### Or Write:

BISSELL Homecare, Inc.  
PO Box 3606  
Grand Rapids MI, 49501  
ATTN: Consumer Services

**BISSELL HOMECARE, INC. IS NOT LIABLE FOR INCIDENTAL OR CONSEQUENTIAL DAMAGES OF ANY NATURE ASSOCIATED WITH THE USE OF THIS PRODUCT. BISSELL'S LIABILITY WILL NOT EXCEED THE PURCHASE PRICE OF THE PRODUCT.**

Some states do not allow the exclusion or limitation of incidental or consequential damages, so the above limitation or exclusion may not apply to you.

### \*EXCEPTIONS AND EXCLUSIONS FROM THE TERMS OF THE LIMITED WARRANTY

**THIS WARRANTY IS EXCLUSIVE AND IN LIEU OF ANY OTHER WARRANTIES EITHER ORAL OR WRITTEN. ANY IMPLIED WARRANTIES WHICH MAY ARISE BY OPERATION OF LAW, INCLUDING THE IMPLIED WARRANTIES OF MERCHANTABILITY AND FITNESS FOR A PARTICULAR PURPOSE, ARE LIMITED TO THE ONE YEAR DURATION FROM THE DATE OF PURCHASE AS DESCRIBED ABOVE.**

Some states do not allow limitations on how long an implied warranty lasts, so the above limitation may not apply to you.



©2003 BISSELL Homecare, Inc.  
Grand Rapids, Michigan  
All rights reserved.  
Printed in China.  
Part Number 010-2195  
Rev 2/03  
Visit our website at:  
[www.bissell.com](http://www.bissell.com)