

This Owner's Manual is provided and hosted by [Appliance Factory Parts](#).



LG LSU093CE Owner's Manual

[Shop genuine replacement parts for LG LSU093CE](#)



[Find Your LG Air Conditioner Parts - Select From 2328 Models](#)

----- Manual continues below -----



website <http://www.lgservice.com>

LG

ENGLISH

FRANÇAIS

ESPAÑOL

LG Room Air Conditioner

INSTALLATION MANUAL

IMPORTANT

- Please read this instruction manual completely before installing the product.
- When the power cord is damaged, replacement should be performed by authorized personnel only.
- Installation work must be performed in accordance with the national wiring standards by authorized personnel only.
- Please retain this installation manual for future reference after reading it thoroughly.

TABLE OF CONTENTS

Installation Requirements	Required Parts	Required Tools
Safety Precautions3	<input type="checkbox"/> Four type "A" screws & plastic anchors	<input type="checkbox"/> Level gauge
Introduction9	<input type="checkbox"/> Connecting cable	<input type="checkbox"/> Screw driver
Symbols used in this manual.....9		<input type="checkbox"/> Electric drill
Features9	<input type="checkbox"/> Installation guide map	<input type="checkbox"/> Hole core drill(ø1.97"(50mm))
		<input type="checkbox"/> Horizontal meter
Installation10	<input type="checkbox"/> Pipes: Gas side1/2"(12.7mm) Liquid side1/4"(6.35mm) (Refer to page 13)	<input type="checkbox"/> Flaring tool set
Installation parts10	<input type="checkbox"/> Insulation materials	<input type="checkbox"/> Specified torque wrenches 1.8kg.m, 4.2kg.m, 5.5kg.m, 6.6kg.m (different depending on model No.)
Installation tools10	<input type="checkbox"/> Additional drain pipe (Outer diameter.....5/8"(15.5mm))	<input type="checkbox"/> SpannerHalf union
Installation map.....11	<input type="checkbox"/> Two type "B" screws	
Confirm The Refrigerant12		<input type="checkbox"/> A glass of water
Selecting the best location13		<input type="checkbox"/> Screw driver
Piping length and elevation.....14		
Preparing work for installation15		<input type="checkbox"/> Hexagonal wrench(5/32"(4mm))
Fixing installation plate16		<input type="checkbox"/> Gas-leak detector
Drilling a hole in the wall16		<input type="checkbox"/> Vacuum pump
Flaring work17		<input type="checkbox"/> Gauge manifold
Connecting the piping18		
Connection Of Piping -Outdoor21		<input type="checkbox"/> Owner's manual
Connecting the cables22		<input type="checkbox"/> Thermometer
Checking the drainage25		<input type="checkbox"/> Remote control holder
Forming the piping.....26		
Air purging.....27		
Charging.....29		
Panel front assembly.....30		
Test running31		

Safety Precautions

To prevent the injury of the user or other people and property damage, the following instructions must be followed.

- Be sure to read before installing the air conditioner.
- Be sure to observe the cautions specified here as they include important items related to safety.
- Incorrect operation due to ignoring instruction will cause harm or damage. The seriousness is classified by the following indications.

- ⚠ WARNING** This symbol indicates the possibility of death or serious injury.
- ⚠ CAUTION** This symbol indicates the possibility of injury or damage to properties only.

■ The meanings of the symbols used in this manual are as shown below.

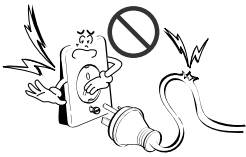
	Be sure not to do.
	Be sure to follow the instruction.

⚠ WARNING

■ Installation

Do not use damaged power cords, plugs, or a loose socket.

- There is risk of fire or electric shock.



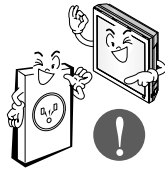
For electrical work, contact the dealer, seller, a qualified electrician, or an Authorized Service Center.

- There is risk of fire or electric shock.



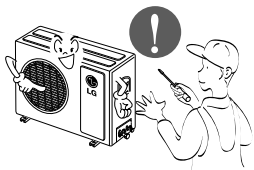
Always use the power plug and socket with the ground terminal.

- There is risk of electric shock.



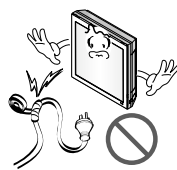
Install the panel and the cover of control box securely.

- There is risk of fire or electric shock.



Do not modify or extend the power cord.

- There is risk of fire or electric shock.



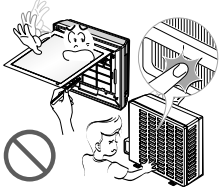
Do not install, remove, or re-install the unit by yourself (customer).

- There is risk of fire, electric shock, explosion, or injury.



Be cautious when unpacking and installing the product.

- Sharp edges could cause injury. Be especially careful of the case edges and the fins on the condenser and evaporator.



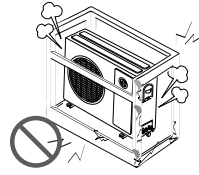
For installation, always contact the dealer or an Authorized Service Center.

- There is risk of fire, electric shock, explosion, or injury.



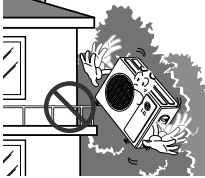
Do not install the product on a defective installation stand.

- It may cause injury, accident, or damage to the product.



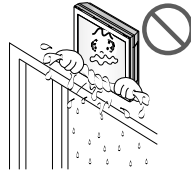
Be sure the installation area does not deteriorate with age.

- If the base collapses, the air conditioner could fall with it, causing property damage, product failure, and personal injury.



Do not let the air conditioner run for a long time when the humidity is very high and a door or a window is left open.

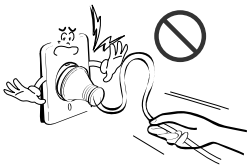
- Moisture may condense and wet or damage furnishings.



■ Operation

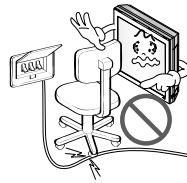
Take care to ensure that power cords could not be pulled out or damaged during operation.

- There is risk of fire or electrical shock.



Do not place anything on the power cord.

- There is risk of fire or electric shock.



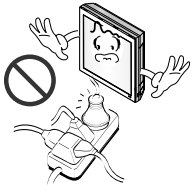
Do not turn the air-conditioner ON or OFF by plugging or unplugging the power plug.

- There is risk of fire or electrical shock.



Use a dedicated outlet for this appliance.

- There is risk of fire or electrical shock.



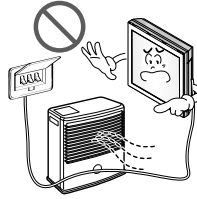
Grasp the plug to remove the cord from the outlet. Do not touch it with wet hands.

- There is risk of fire or electrical shock.



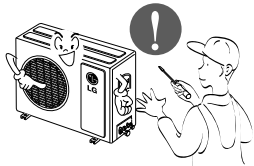
Do not place a heater or other appliances near the power cable.

- There is risk of fire and electric shock.



Do not allow water to run into electric parts.

- It may cause There is risk of fire, failure of the product, or electric shock.



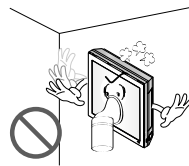
Do not store or use flammable gas or combustibles near the air conditioner.

- There is risk of fire or failure of product.



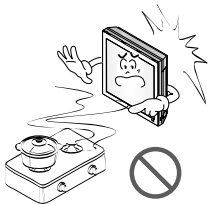
Do not use the product in a tightly closed space for a long time.

- Oxygen deficiency could occur.



When flammable gas leaks, turn off the gas and open a window for ventilation before turn the product on. DO NOT use the telephone or turn switches on or off.

- There is risk of explosion or fire.



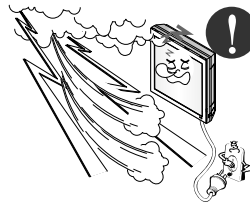
Unplug the unit if strange sounds, odors, or smoke comes from it.

- There is risk of electrical shock or fire



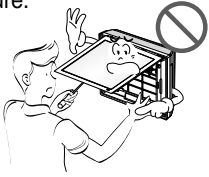
Stop operation and close the window in storm or hurricane. If possible, remove the air conditioner from the window before the hurricane arrives.

- There is risk of property damage, failure of product, or electric shock.



Do not open the inlet grill of the product during operation. (Do not touch the electrostatic filter, if the unit is so equipped.)

- There is risk of physical injury, electric shock, or product failure.



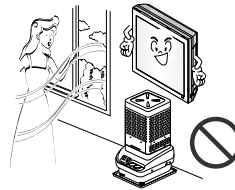
When the product is soaked (flooded or submerged), contact an Authorized Service Center.

- There is risk of fire or electric shock.



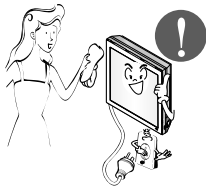
Ventilate the product from time to time when operating it together with a stove, etc.

- There is risk of fire or electrical shock.



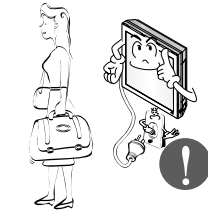
Unplug the appliance before performing cleaning or maintenance.

- There is risk of electrical shock.



When the product is not be used for a long time, disconnect the power supply plug or turn off the breaker.

- There is risk of product damage or failure, or unintended operation.



Take care to ensure that nobody could step on or fall onto the outdoor unit.

- This could result in personal injury and product damage.

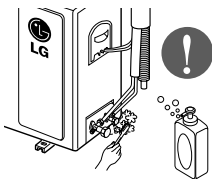


CAUTION

Installation

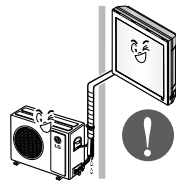
Always check for gas (refrigerant) leakage after installation or repair of product.

- Low refrigerant levels may cause failure of product.



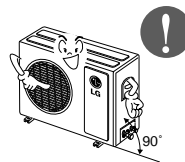
Install the drain hose to ensure that water is drained away properly.

- A bad connection may cause water leakage.



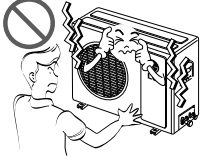
Keep level even when installing the product.

- To avoid vibration or water leakage.



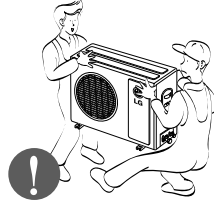
Do not install the product where the noise or hot air from the outdoor unit could damage the neighborhoods.

- It may cause a problem for your neighbors.



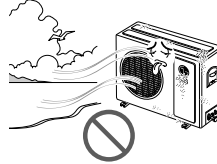
Use two or more people to lift and transport the air conditioner.

- Avoid personal injury.



Do not install the product where it will be exposed to sea wind (salt spray) directly.

- It may cause corrosion on the product. Corrosion, particularly on the condenser and evaporator fins, could cause product malfunction or inefficient operation.



■ Operation

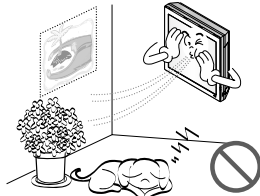
Do not direct airflow at room occupants. (Don't sit in the draft.)

- This could damage your health.



Do not use the product for special purposes, such as preserving foods, works of art, etc. It is a consumer air conditioner, not a precision refrigeration system.

- There is risk of damage or loss of property.



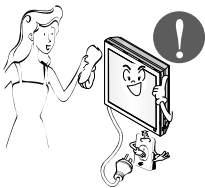
Do not block the inlet or outlet of air flow.

- It may cause product failure.



Use a soft cloth to clean. Do not use harsh detergents, solvents, etc.

- There is risk of fire, electric shock, or damage to the plastic parts of the product.



Do not touch the metal parts of the product when removing the air filter. They are very sharp!

- There is risk of personal injury.



Do not step on or put anything on the product. (outdoor units)

- There is risk of personal injury and failure of product.



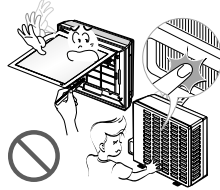
Always insert the filter securely. Clean the filter every two weeks or more often if necessary.

- A dirty filter reduces the efficiency of the air conditioner and could cause product malfunction or damage.



Do not insert hands or other objects through the air inlet or outlet while the air conditioner is plugged in.

- There are sharp and moving parts that could cause personal injury.



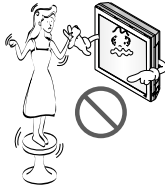
Do not drink the water drained from the unit.

- It is not sanitary and could cause serious health issues.



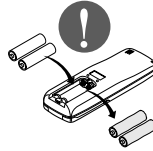
Use a firm stool or ladder when cleaning or maintaining the air conditioner.

- Be careful and avoid personal injury.



Replace the all batteries in the remote control with new ones of the same type. Do not mix old and new batteries or different types of batteries.

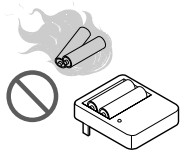
- There is risk of fire or explosion



■ Disuse

Do not recharge or disassemble the batteries. Do not dispose of batteries in a fire.

- They may burn or explode.



If the liquid from the batteries gets onto your skin or clothes, wash it well with clean water. Do not use the remote if the batteries have leaked.

- The chemicals in batteries could cause burns or other health hazards.



Introduction

ENGLISH

Symbols used in this Manual



This symbol alerts you to the risk of electric shock.

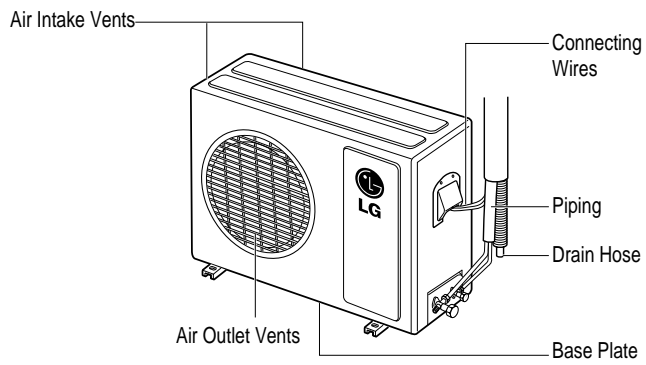
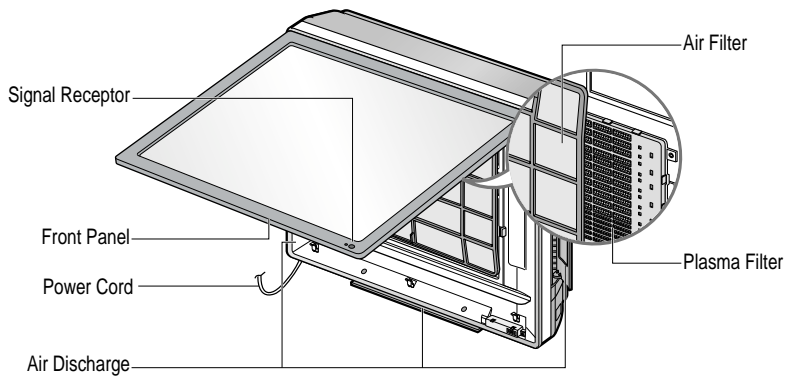


This symbol alerts you to hazards that may cause harm to the air conditioner.

NOTICE

This symbol indicates special notes.

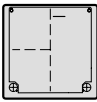

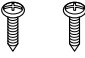

Features



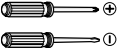




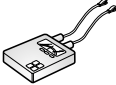



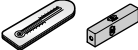


Installation

Read carefully, and then follow step by step.

Installation Parts

Installation guide map 	Type "A" screw and plastic anchor 
Type "B" screw 	Remote control holder 

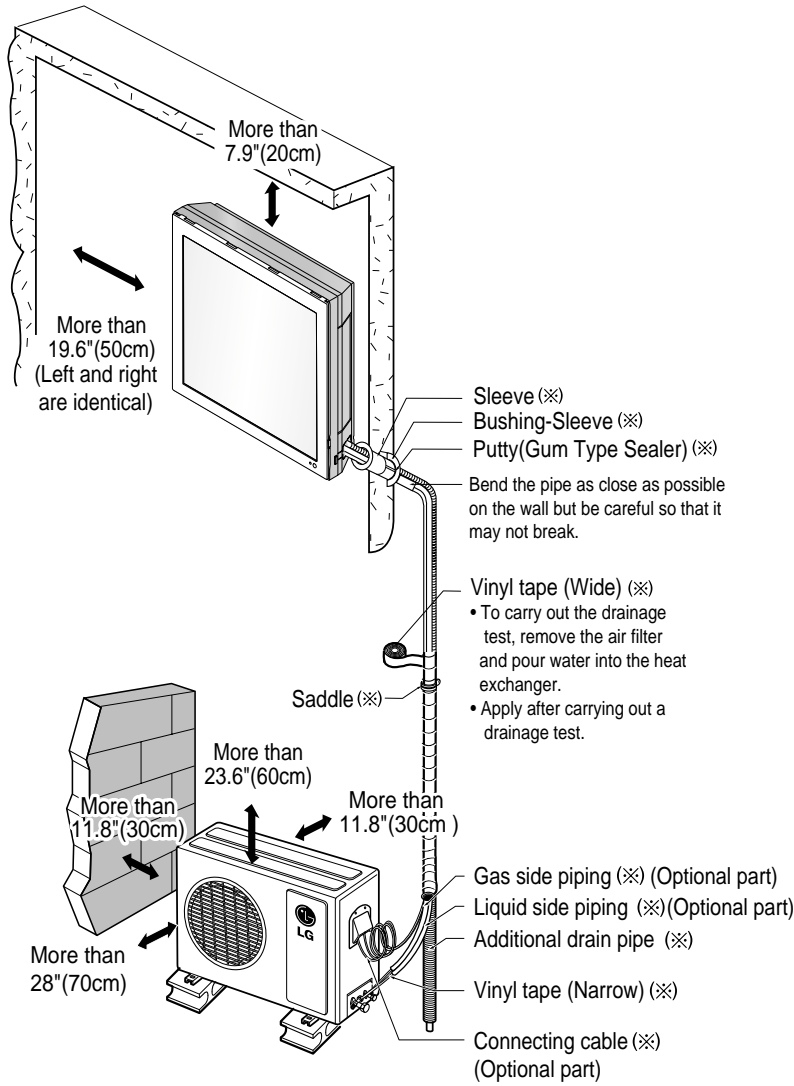
Installation Tools

Figure	Name	Figure	Name
	Screw driver		Ohmmeter
	Electric drill		Hexagonal wrench
	Measuring tape, Knife		Ammeter
	Hole core drill		Leak detector
	Spanner		Thermometer, Horizontal meter
	Torque wrench		Flaring tool set

Installation Map

ENGLISH

NOTICE Installation parts you should purchase. (※)



Confirm The Refrigerant

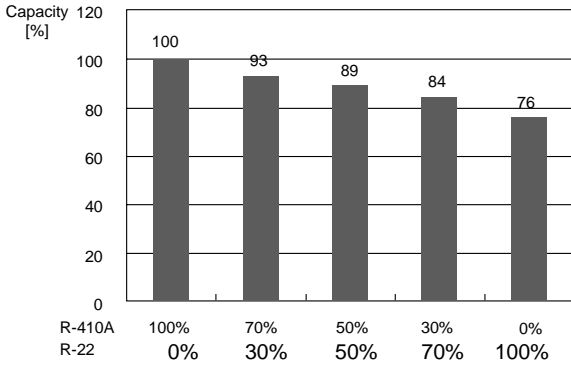
1. Check the quality label on the indoor and outdoor unit.
2. Make certain that the refrigerant is R-410A.

NOTICE

THIS PRODUCT CONTAINS R-410A REFRIGERANT

- 1) Different compressor oil
 - R-410A(Polyol ester) / R-22(Mineral).
 - Do not mix the existing mineral oil.
 - Do not apply used pipe, tools and gauges covered with the existing mineral oil.
 - 2) Absorption of moisture
 - Compressor's oil has the high absorption rate of moisture.
 - 3) Composition
 - R-410A(R32:R125=50:50wt%).
- NOTE: Never mix with other refrigerants

Example : Split type 12,000 Btu/h



- 4) High pressure.
 - 1.6 times higher than R-22.
 - High Pressure refrigerant may cause personal injury.

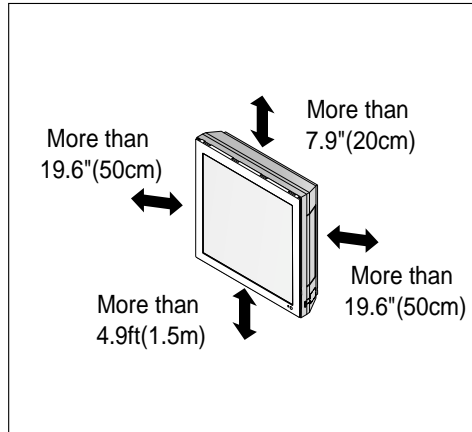
	Boiling Pt.(°C)	Vapor pressure(25°C)(kg f/cnf)	Vapor density(25°C)(kg/m ²)
R-410A	-51.4	15.9	64
R-22	-40.8	9.6	44.4

Do not handle the pipe by yourself (customer) High-pressure refrigerant may cause personal injury.
 - manifold gauge ,charging and any piping tools must be dedicated to R-410A systems.

Select the best Location

Indoor unit

1. Do not have any heat or steam near the unit.
2. Select a place where there are no obstacles in front of the unit.
3. Make sure that condensation drainage can be conveniently routed away.
4. Do not install near a doorway.
5. Ensure that the interval between a wall and the left (or right) of the unit is more than 19.6"(50cm). The unit should be installed as high as possible on the wall, allowing a minimum of 7.9"(20cm) from ceiling.
6. Use a stud finder to locate studs to prevent unnecessary damage to the wall.

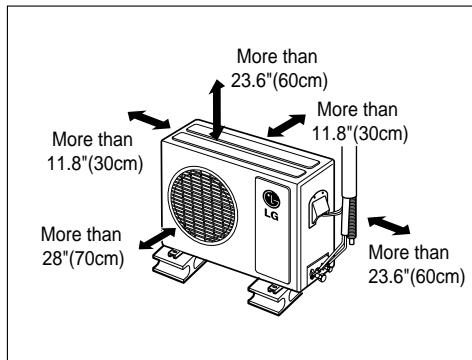


ENGLISH

CAUTION: Install the indoor unit on the wall where the height from the floor is more than 6.6 feet(2 meters).

Outdoor unit

1. If an awning is built over the unit to prevent direct sunlight or rain exposure, make sure that heat radiation from the condenser is not restricted.
2. Ensure that the space around the back and sides is more than 11.8"(30cm). The front of the unit should have more than 28"(70cm) of space.
3. Do not place animals and plants in the path of the warm air.
4. Take the weight of the air conditioner into account and select a place where noise and vibration are minimum.
5. Select a place where the warm air and noise from the air conditioner do not disturb neighbors.



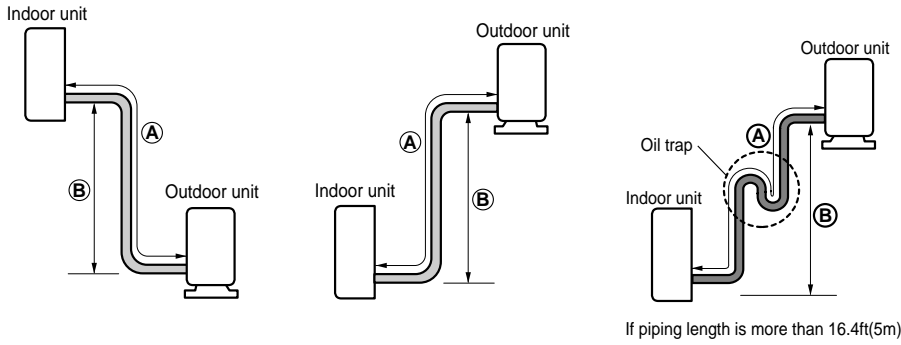
Rooftop Installations

If the outdoor unit is installed on a roof structure, be sure to level the unit. Ensure the roof structure and anchoring method are adequate for the unit location. Consult local codes regarding rooftop mounting.

If the outdoor unit is installed on roof structures or walls, this may result in excessive noise and vibration, and may be also classed as non serviceable installation.

Piping Length and Elevation

Capacity (Btu/h)	Pipe Size		Standard Length m(ft)	Max. Elevation ⓑ m(ft)	Max. length Ⓐ m(ft)	Additional Refrigerant g/m(oz/ft)
	Suction	Evap				
9k, 12k	Ø12.7mm(1/2")	Ø6.35mm(1/4")	7.5(25)	7.5(25)	15(49)	20(0.22)



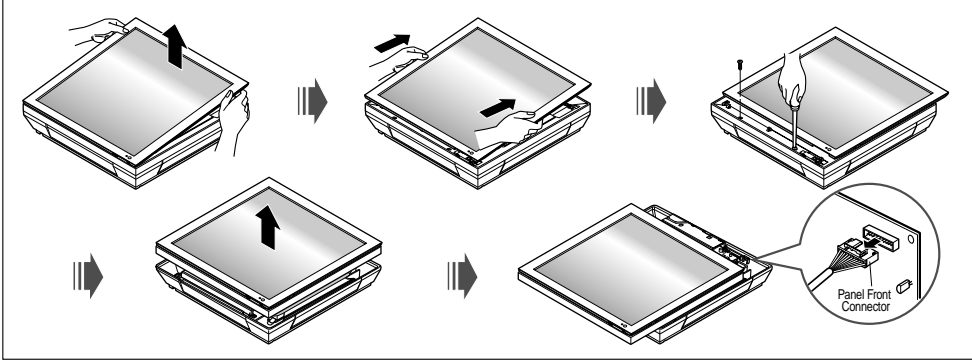
⚠ CAUTION: Capacity is based on standard length and maximum allowance length is on the basis of reliability. Oil trap should be installed every 16.4~23feet (5~7 meters).

Preparing Work for Installation

ENGLISH

Open panel front

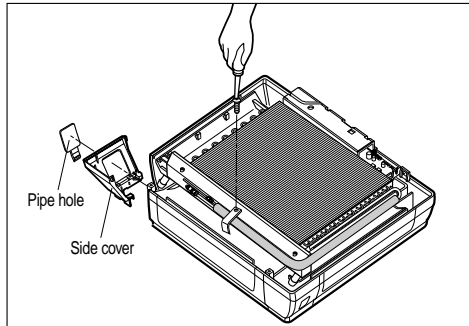
1. Pull the upper part of the front panel.
2. Lift up the panel.
3. To detach the front panel, remove the two screws at the lower part.
4. Detach the front panel from the body.
5. To detach the panel, disconnect the connector at the upper part.



Cover pipe and cover side remove

1. Please remove the screw of the center tuning cover.
2. Pull up the side cover of desired connecting direction, then cover side is separated.
3. Pick the pipe hole of the side cover.

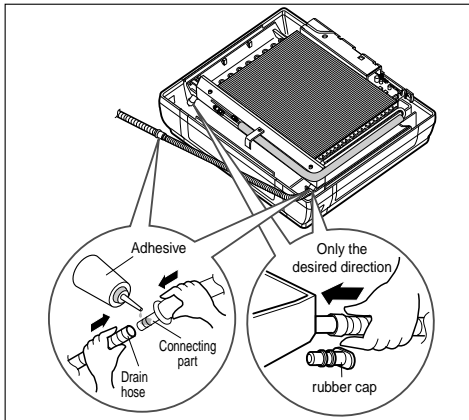
CAUTION: After removing the pipe hole, cut the burr for safety.



NOTICE When making pipe path through rear wall, you don't need to pick the pipe hole.

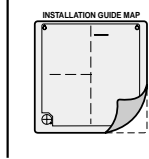
Drain hose junction

1. Remove the rubber stopple in the desired drain direction.
2. Insert drain hose into the handle of drain pan, and join drain hose and connecting hose according to the figure by.

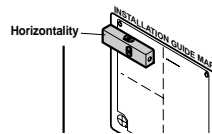


Fixing Indoor Unit

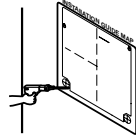
1. Attach an Installation guide map on the desired surface.



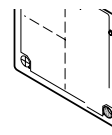
2. Look at suited horizon by horizontal meter on the horizontal setting line, and fix lightly the map by adhesive tape.



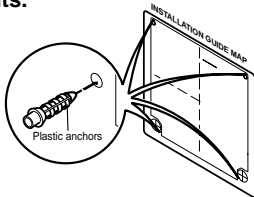
3. Make a hole with a diameter of 6mm and depth of 30-35mm by piercing a screw point.



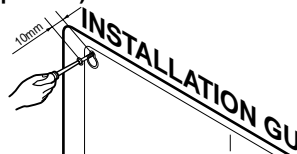
4. Drill the pierced part as a diameter of 50mm for connecting piping. (In case of piercing rear surface)



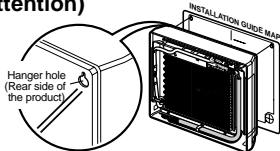
5. Drive the fore plastic anchors into drilled points.



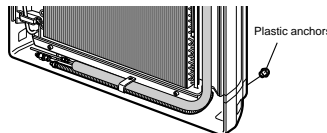
6. First, Drive the two points of the upper parts by screws. (Leave 10mm for hanging the product)



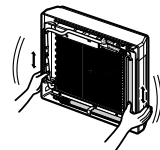
7. Hang the hole of product at the upper screws, and remove the map. (Falling attention)



8. Drive the lower parts after facing the hole of product with plastic anchors, and fix completely the upper screws.



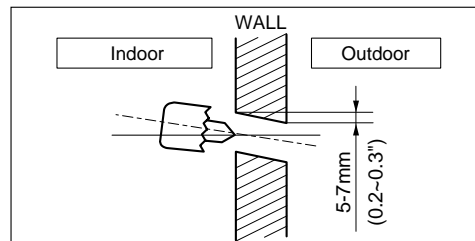
9. Check the fixed product with light power.



10. In case of nothing wrong, connect the pipe and the wire. (Refer to installation manual)

Drill a Hole in the Wall

- Drill the piping hole with a $\varnothing 50\text{mm}$ hole core drill. Drill the piping hole at either the right or the left with the hole slightly slanted to the outdoor side.

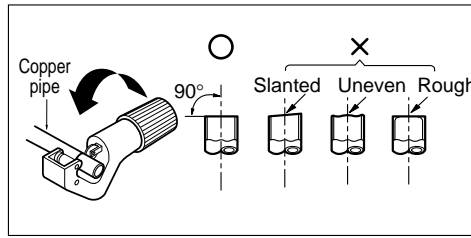


Flaring Work

Main cause for gas leakage is due to defect in flaring work. Carry out correct flaring work in the following procedure.

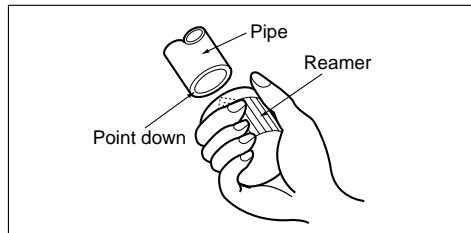
Cutting the pipes and the cable.

1. Use the piping kit accessory or the pipes purchased locally.
2. Measure the distance between the indoor and the outdoor unit.
3. Cut the pipes a little longer than measured distance.
4. Cut the cable 4.9ft(1.5m) longer than the pipe length.



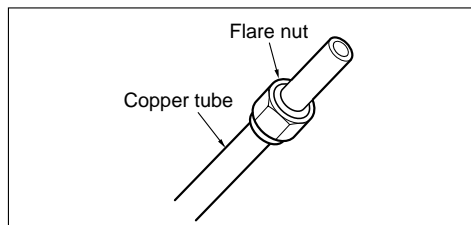
Removing burrs

1. Completely remove all burrs from the cut cross section of pipe/tube.
2. Put the end of the copper tube/pipe in a downward direction as you remove burrs in order to avoid dropping burrs into the tubing.



Putting nut on

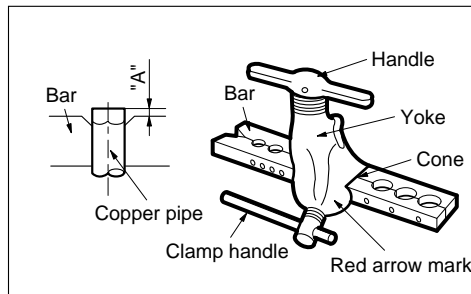
- Remove flare nuts attached to indoor and outdoor unit, then put them on pipe/tube having completed burr removal.
(not possible to put them on after flaring work)



Flaring work

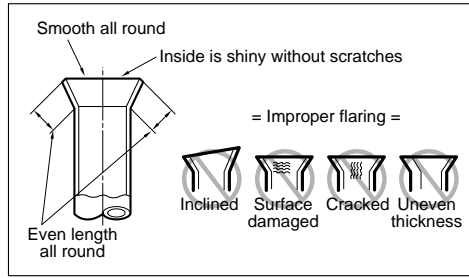
1. Firmly hold copper pipe in a die in the dimension shown in the table below.
2. Carry out flaring work with the flaring tool.

Outside diameter		A	
mm	inch	mm	inch
Ø6.35	1/4	1.1~1.3	0.043~0.051
Ø9.52	3/8	1.5~1.7	0.059~0.066
Ø12.7	1/2	1.6~1.8	0.063~0.070
Ø15.88	5/8	1.6~1.8	0.063~0.070
Ø19.05	3/4	1.9~2.1	0.074~0.082



Check

1. Compare the flared work with the figure by.
2. If a flared section is defective, cut it off and do flaring work again.

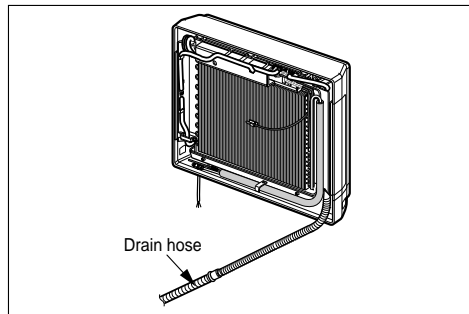


Connecting the Piping

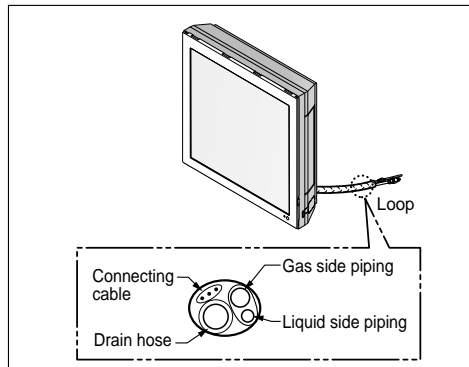
Indoor

Preparing the indoor unit's piping and drain hose for installation through the wall.

1. Route the indoor tubing and the drain hose in the direction of rear left or right



2. Tape the tubing, drain hose and the connecting cable. Be sure that the drain hose is located at the lowest side of the bundle. Locating at the upper side can cause drain pan to overflow inside the unit.



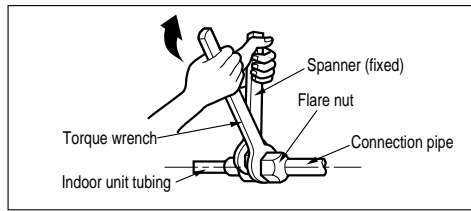
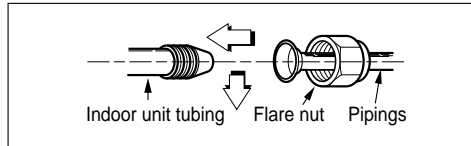
CAUTION: If the drain hose is routed inside the room, insulate the hose with an insulation material* so that dripping from "sweating"(condensation) will not damage furniture or floors.

*Foamed polyethylene or equivalent is recommended.

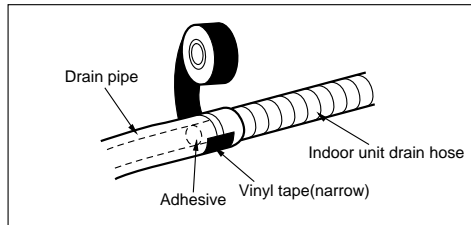
Connecting the piping with the indoor unit and drain hose with drain pipe

1. Align the center of the pipings and sufficiently tighten the flare nut by hand.
2. Tighten the flare nut with a wrench.

Outside diameter		Torque
mm	inch	kgf-cm
Ø6.35	1/4	180-250
Ø9.52	3/8	340-420
Ø12.7	1/2	550-660

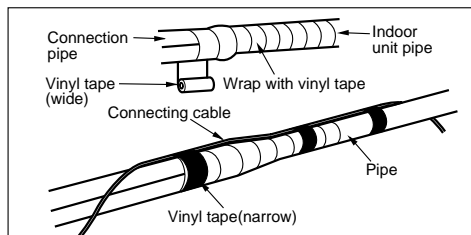
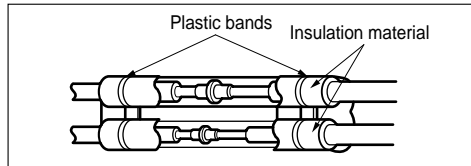


3. When extending the drain hose at the indoor unit, install the drain pipe.

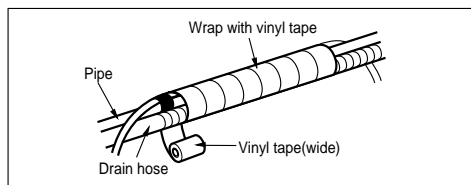


Wrap the insulation material around the connecting portion.

1. Overlap the connection pipe insulation material and the indoor unit pipe insulation material. Bind them together with vinyl tape so that there may be no gap.
2. Wrap the area which accommodates the rear piping housing section with vinyl tape.



3. Bundle the piping and drain hose together by wrapping them with vinyl tape over the range within which they fit into the rear piping housing section.

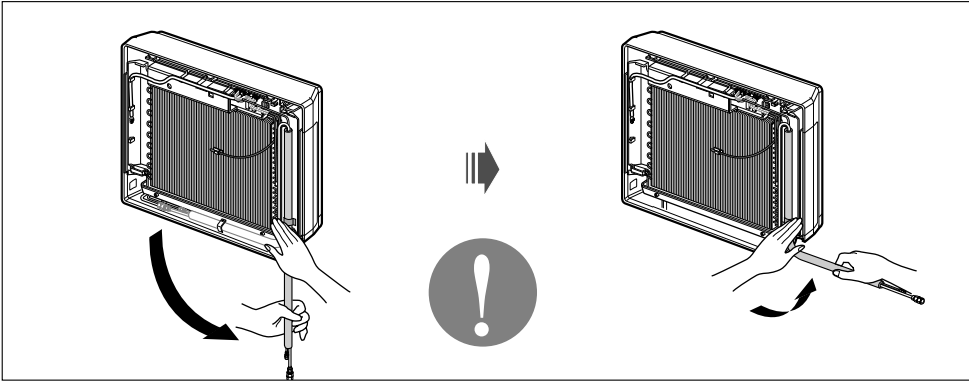


ENGLISH

⚠ CAUTION: Installation Information
For right piping. Follow the instruction below.

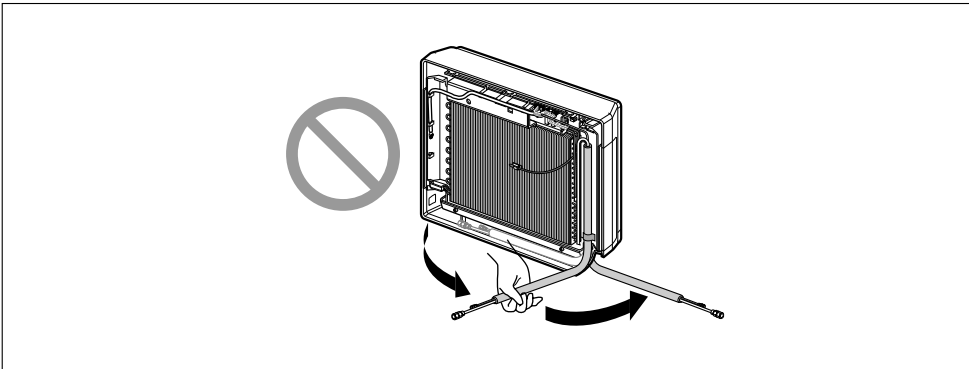
Good case

- Press on the upper side of clamp and unfold the tubing to downward slowly.



Bad case

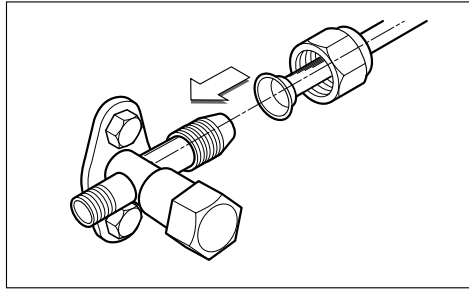
- Following bending type from left to right may cause damage to the tubing.



Connection Of Piping -Outdoor

Put a couple drops of refrigerant oil on the face of the flare before assembling taking care not to add any contaminants.

Align the center of the pipings and sufficiently tighten the flare nut by hand.

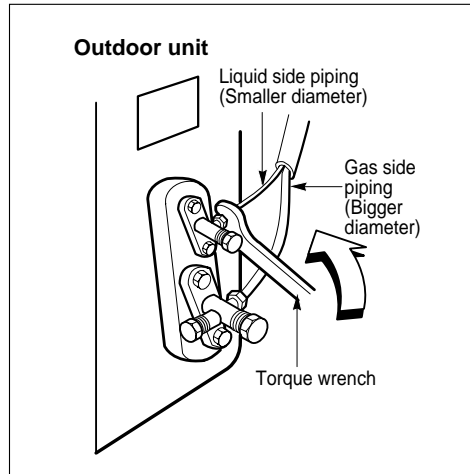


ENGLISH

Finally, tighten the flare nut with torque wrench until the wrench clicks.

- When tightening the flare nut with torque wrench, ensure the direction for tightening follows the arrow on the wrench.

Outside diameter		Torque
mm	inch	kgf.cm
Ø6.35	1/4	180~250
Ø9.52	3/8	340~420
Ø12.7	1/2	550~660
Ø15.88	5/8	630~820
Ø19.05	3/4	980~1210



Connecting the Cables

1. Remove the cover control from the unit by loosening the screw.
2. Dismount caps on the conduit panel.
3. Temporarily mount the conduit tubes on the conduit panel.
4. Properly connect both the power supply and low voltage lines to the corresponding terminals on the terminal block.
5. Ground the unit in accordance with local codes.
6. Be sure to size each wire allowing several inches longer than the required length for wiring.
7. Use lock nuts to secure the conduit tubes.

NOTICE

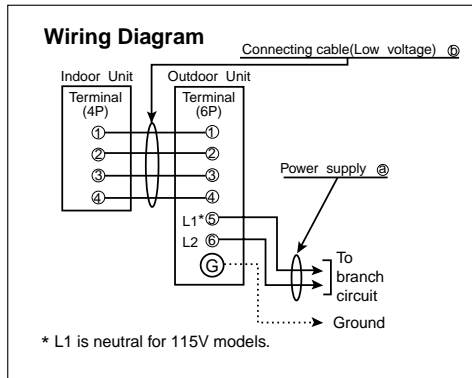
Connector trade size for this unit is 1/2"(12.7mm).
 Refer to "How to connect wiring to the terminals" for instructions on connecting depending on the wire type you are using.

! WARNING:

- Be sure to comply with local codes while running the wire from the indoor unit to the outdoor unit(size of wire and wiring method, etc).
- Every wire must be connected firmly.
- No wire should be allowed to touch refrigerant tubing, the compressor or any moving parts.

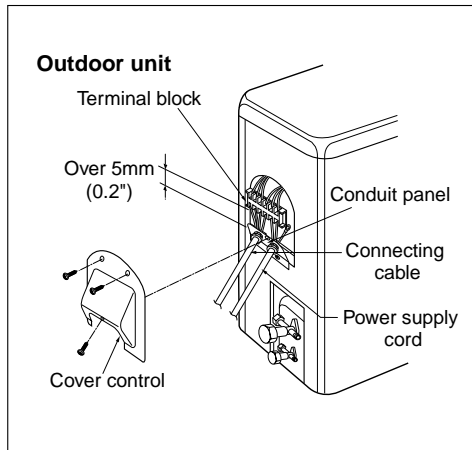
Power Supply

Model	Power source	AWG(MIN)		Fuse or breaker Capacity
		Ⓐ	Ⓑ	
9k/12k	1Ø, 115V	14	18	20A



NOTICE

1. shows field wiring.
2. Separately wire the high and low voltage line.
3. Use heat-proof electrical wiring capable of withstanding temperatures up to 167°F(75°C).
4. Use outdoor and waterproof connection cable rated more than 300V for the connection between indoor and outdoor unit. (For example, Type SJO-WA)



Connection method of the connecting cable(Example)

1. Dismount two-caps on the conduit panel.
2. Make a hole appropriate for the passage of connection cable through on cap by tool. (for low voltage line)
3. Pass the connecting cable through the hole.
4. Properly connect the cable on the terminal block.
5. Fix the connection cable with clamp cord provided on the unit not to have strain at the terminal when the connection cable is pulled outside up to a 35 pound weight.
6. Wind the vinyl tape round the connecting cable for sealing between the surface of the connection cable and cap.
7. Mount the taped part of cable on the cap.
8. Finally, mount the holed cap with the wound cable on the conduit panel.



WARNING:

Loose wiring may cause the terminal to overheat or result in unit malfunction. A fire hazard may also exist. Therefore, be sure all wiring is tightly connected.

When connecting each power wire to the corresponding terminal, follow instructions "How to connect wiring to the terminals" and fasten the wire tightly with the fixing screw of the terminal plate.

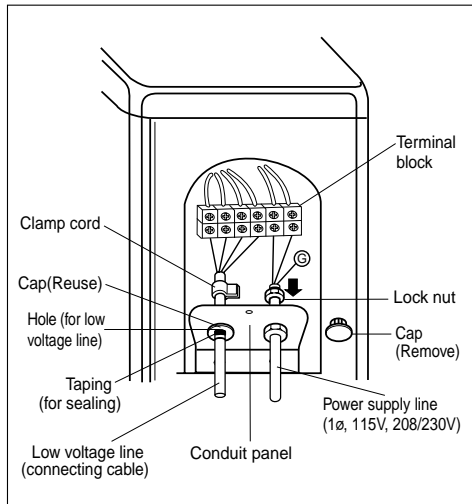
How to connect wiring to the terminals

- For solid core wiring (or F-cable)

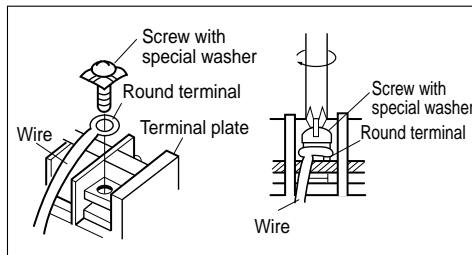
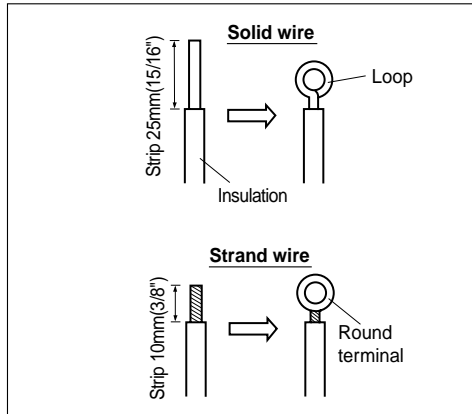
1. Cut the wire end with a wire cutter or wire-cutting pliers, then strip the insulation to expose the solid wire about 25mm(15/16")
2. Using a screwdriver, remove the terminal screw(s) on the terminal plate.
3. Using pliers, bend the solid wire to form a loop suitable for the terminal screw.
4. Shape the loop wire properly, place it on the terminal plate and tighten securely with the terminal screw using a screwdriver.

- For strand wiring

1. Cut the wire end with a wire cutter or wire-cutting pliers, then strip the insulation to expose the strand wiring about 10mm(3/8").
2. Using a screwdriver, remove the terminal screw(s) on the terminal plate.
3. Using a round terminal fastener or pliers, securely clamp each stripped wire end with a round terminal.
4. Position the round terminal wire, and replace and tighten the terminal screw using a screwdriver.



ENGLISH



CAUTION

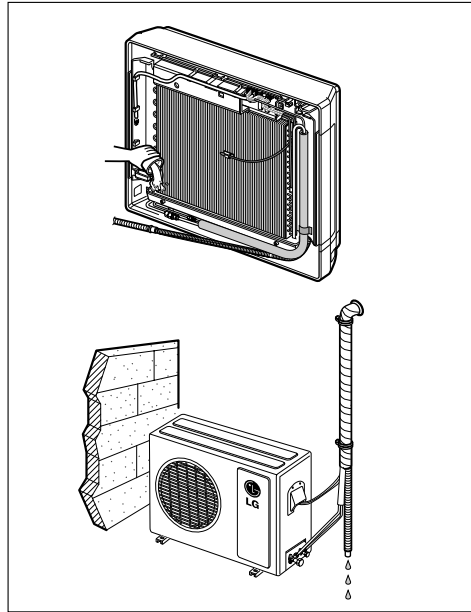
After the confirmation of the above conditions, prepare the wiring as follows:

- 1) **Never fail to have an individual power circuit specifically for the air conditioner. As for the method of wiring, be guided by the circuit diagram posted on the inside of control cover.**
- 2) **The screw which fasten the wiring in the casing of electrical fittings are liable to come loose from vibrations to which the unit is subjected during the course of transportation. Check them and make sure that they are all tightly fastened. (If they are loose, it could cause burn-out of the wires.)**
- 3) **Specification of power source.**
- 4) **Confirm that electrical capacity is sufficient.**
- 5) **Confirm that the starting voltage is maintained at more than 90 percent of the rated voltage marked on the name plate.**
- 6) **Confirm that the cable thickness is as specified in the power source specification. (Particularly note the relation between cable length and thickness.**
- 7) **Always install an GFCI circuit breaker in a wet or moist area.**
- 8) **The following would be caused by voltage drop.**
 - Vibration of a magnetic switch, which will damage the contact point, open fuse, disturbance of the normal function of the overload.
- 9) **The means for disconnection from a power supply shall be incorporated in the fixed wiring and have an air gap contact separation of at least 3mm(0.12in) in each active(phase) conductors.**

Checking the Drainage

To check the drainage.

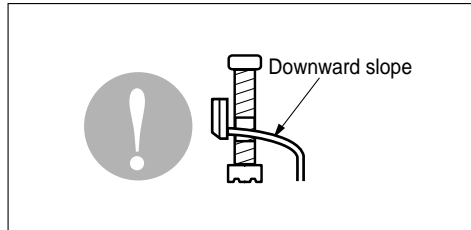
1. Pour a glass of water on the evaporator.
2. Ensure the water flows through the drain hose of the indoor unit without any leakage and goes out the drain exit.



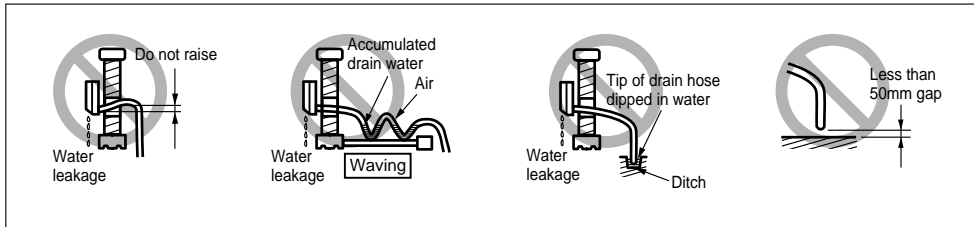
ENGLISH

Drain piping

1. The drain hose should point downward for easy drain flow.



2. Do not make drain piping like the following.



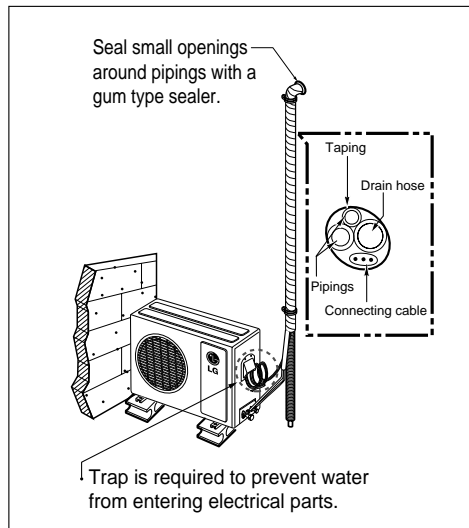
Forming the Piping

Form the piping by wrapping the connecting portion of the indoor unit with insulation material and secure it with two kinds of vinyl tapes.

- If you want to connect an additional drain hose, the end of the drain outlet should be routed above the ground. Secure the drain hose appropriately.

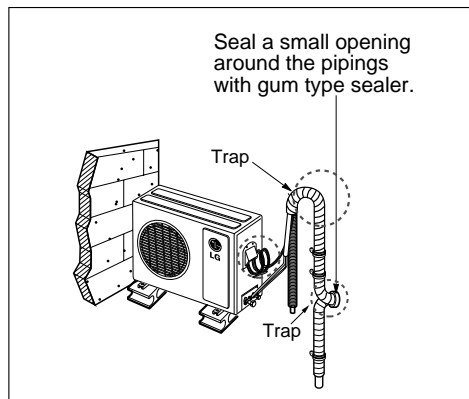
In cases where the outdoor unit is installed below the indoor unit perform the following.

1. Tape the piping, drain hose and connecting cable from down to up.
2. Secure the taped piping along the exterior wall using saddle or equivalent.



In cases where the outdoor unit is installed above the indoor unit perform the following.

1. Tape the piping and connecting cable from down to up.
2. Secure the taped piping along the exterior wall. Form a trap to prevent water entering the room.
3. Fix the piping onto the wall by saddle or equivalent.



Air Purging

Air purging

The air and moisture remaining in the refrigerant system have undesirable effects as indicated below.

1. Pressure in the system rises.
2. Operating current rises.
3. Cooling(or heating) efficiency drops.
4. Moisture in the refrigerant circuit may freeze and block capillary tubing.
5. Water may lead to corrosion of parts in the refrigeration system.

Therefore, after evacuating the system, take a leak test for the piping and tubing between the indoor and outdoor unit.

Air purging with vacuum pump

1. Preparation

- Check that each tube(both liquid and gas side tubes) between the indoor and outdoor units have been properly connected and all wiring for the test run has been completed. Remove the service valve caps from both the gas and the liquid side on the outdoor unit. Note that both the liquid and the gas side service valves on the outdoor unit are kept closed at this stage.

2. Leak test

- Connect the manifold valve(with pressure gauges) and dry nitrogen gas cylinder to this service port with charge hoses.

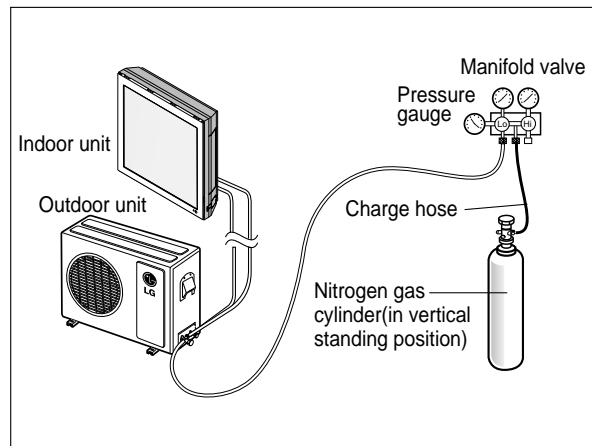
CAUTION: Be sure to use a manifold valve for air purging. If it is not available, use a stop valve for this purpose. The "Hi" knob of the manifold valve must always be kept close.

- Pressurize the system to no more than 150 P.S.I.G. with dry nitrogen gas and close the cylinder valve when the gauge reading reached 150 P.S.I.G. Next, test for leaks with liquid soap.

CAUTION: To avoid nitrogen entering the refrigerant system in a liquid state, the top of the cylinder must be higher than its bottom when you pressurize the system. Usually, the cylinder is used in a vertical standing position.

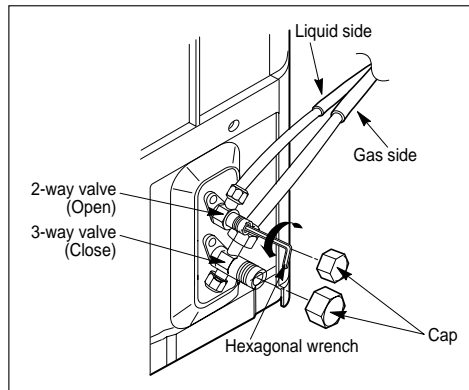
1. Do a leak test of all joints of the tubing(both indoor and outdoor) and both gas and liquid side service valves. Bubbles indicate a leak. Be sure to wipe off the soap with a clean cloth.

2. After the system is found to be free of leaks, relieve the nitrogen pressure by loosening the charge hose connector at the nitrogen cylinder. When the system pressure is reduced to normal, disconnect the hose from the cylinder.



Soap water method

1. Remove the caps from the 2-way and 3-way valves.
2. Remove the service-port cap from the 3-way valve.
3. To open the 2-way valve turn the valve stem counterclockwise approximately 90°, wait for about 2-3 sec, and close it.
4. Apply a soap water or a liquid neutral detergent on the indoor unit connection or outdoor unit connections by a soft brush to check for leakage of the connecting points of the piping.
5. If bubbles come out, the pipes have leakage



Evacuation

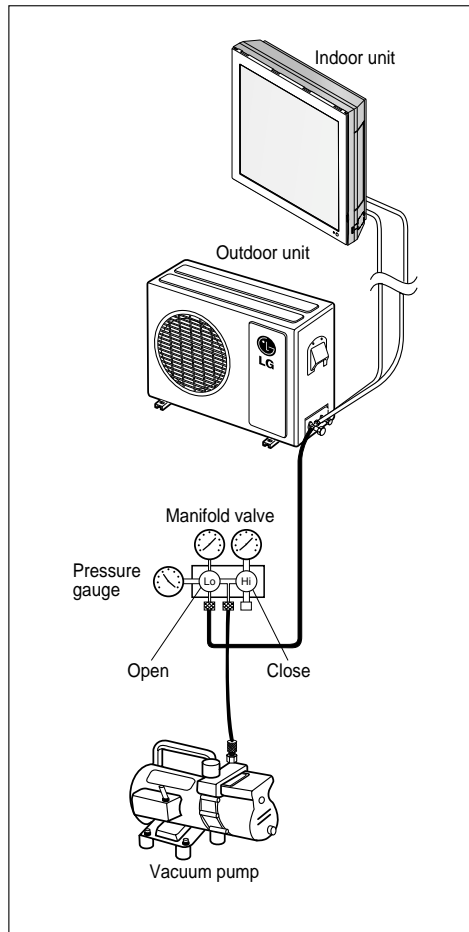
1. Connect the charge hose end described in the preceding steps to the vacuum pump to evacuate the tubing and indoor unit. Confirm the "Lo" knob of the manifold valve is open. Then, run the vacuum pump. The operation time for evacuation varies with tubing length and capacity of the pump. The following table shows the time required for evacuation.

Required time for evacuation when 30 gal/h vacuum pump is used	
If tubing length is less than 10m (33 ft)	If tubing length is longer than 10m (33 ft)
10 min. or more	15 min. or more

2. When the desired vacuum is reached, close the "Lo" knob of the manifold valve and stop the vacuum pump.

Finishing the job

1. With a service valve wrench, turn the valve stem of liquid side valve counter-clockwise to fully open the valve.
2. Turn the valve stem of gas side valve counter-clockwise to fully open the valve.
3. Loosen the charge hose connected to the gas side service port slightly to release the pressure, then remove the hose.
4. Replace the flare nut and its bonnet on the gas side service port and fasten the flare nut securely with an adjustable wrench. This process is very important to prevent leakage from the system.
5. Replace the valve caps at both gas and liquid side service valves and fasten them tight. This completes air purging with a vacuum pump. The air conditioner is now ready to test run.



Charging

- Each outdoor unit is factory charged (nameplate charge) for the evaporator as well as a 7.5m(25ft) line set. Any time a line set is used either shorter or longer than the nominal 7.5m(25ft) line set length the refrigerant charge has to be adjusted.
- Whether the line set is made shorter or longer you must adjust the charge based on how many ft of tubing are either added or removed based on 20g(0.22oz) of R-410A per meter(foot).

Capacity (Btu/h)	Pipe Size		Standard Length m(ft)	Max. Elevation Ⓞ m(ft)	Max. length Ⓐ m(ft)	Additional Refrigerant g/m(oz/ft)
	Suction	Evap				
9k, 12k	Ø12.7mm(1/2")	Ø6.35mm(1/4")	7.5(25)	7.5(25)	15(49)	20(0.22)

ENGLISH

Example: A 30ft line set is used

5 additional ft X 0.22 ounce per foot= add 1.1 ounces of R-410A

Important:

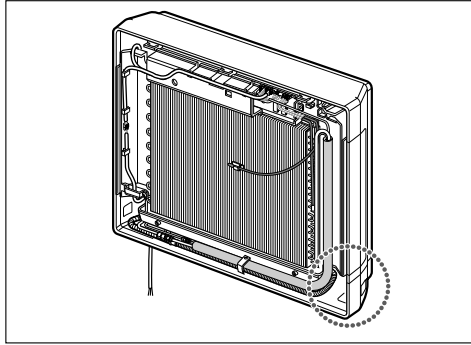
If you are ever uncertain of the unit charge, reclaim, evacuate and weigh in the correct charge using the unit nameplate charge adjusting for line sets longer or shorter than 7.5m(25ft).

▲ CAUTION

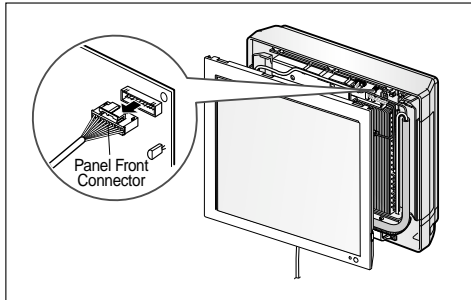
Confirm the refrigerant R-410A. Use manifold gauge and hose for R-410A.

Panel Front Assembly

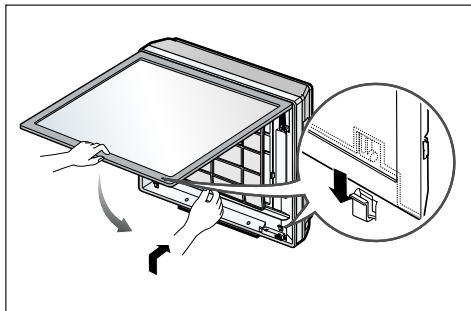
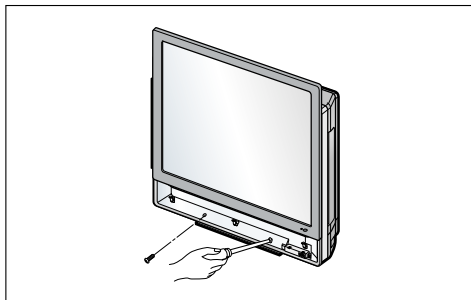
1. First, Check the side cover assembly exactly, and fix the power cord in the bottom groove of cover side left.



2. Assemble connecting lead wire with controller, fix the upper part of panel front, and match the lower part of panel front.



3. Screw up panel front, and suspend the hook of panel front in the groove.



Test Running

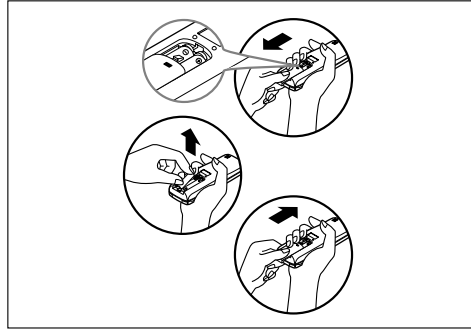
1. Check that all tubing and wiring are properly connected.
2. Check that the gas and liquid side service valves are fully open.

Prepare remote controller

1. Remove the battery cover by pulling it according to the arrow direction.
2. Insert new batteries making sure that the (+) and (-) of battery are installed correctly.
3. Reattach the cover by pushing it back into position.

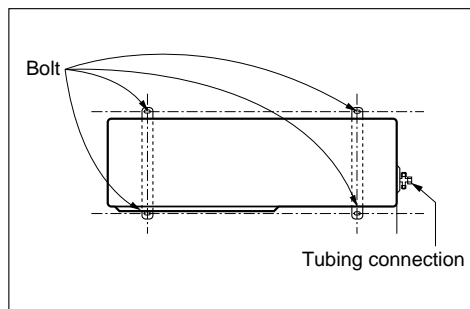
NOTICE

- Use 2 AAA(1.5volt) batteries. Do not use rechargeable batteries.
- Remove the batteries from the remote controller if the system is not used for a long time.



Settlement of outdoor unit

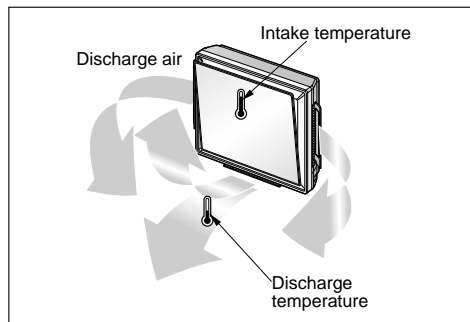
1. Anchor the outdoor unit with a bolt and nut($\phi 0.39"$ ($\phi 10\text{mm}$)) tightly and horizontally on a concrete or rigid mount.
2. When installing on the wall, roof or rooftop, anchor the mounting base securely with a nail or wire assuming the influence of wind and earthquake.
3. If the vibration of the unit is transmitted to the hose, secure the unit with an anti-vibration rubber.



Evaluation of the performance

Operate the unit for 15~20 minutes, then check the system refrigerant charge:

1. Measure the pressure of the gas side service valve.
2. Measure the temperature of the intake and discharge of air.
3. Ensure the difference between the intake temperature and the discharge is more than 46.4°F(8°C)
4. For reference; the gas side pressure of optimum condition is as below.(Cooling)



The air conditioner is now ready for use.

Refrigerant	Outside ambient TEMP.	The pressure of the gas side service valve.
R-410A	95°F(35°C)	8.5~9.5kg/cm ² G(120~135 P.S.I.G.)

NOTICE If the actual pressure is higher than shown, the system is most likely over-charged, and charge should be removed. If the actual pressure are lower than shown, the system is most likely undercharged, and charge should be added.

PUMP DOWN

This is performed when the unit is relocated or the refrigerant circuit is serviced.

Pump Down means collecting all refrigerant into the outdoor unit without the loss of refrigerant.



CAUTION: Be sure to perform Pump Down procedure in the cooling mode.

Pump Down Procedure

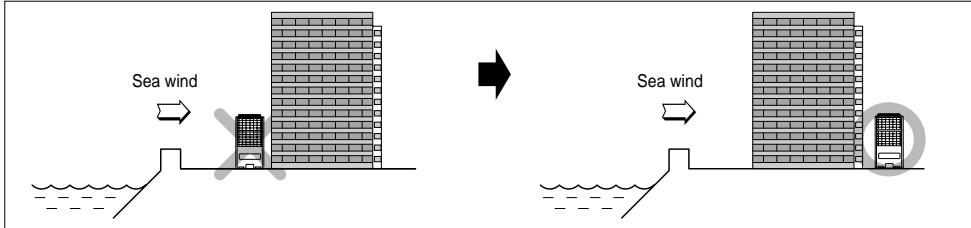
1. Connect a low-pressure gauge manifold hose to the charge port on the gas side service valve.
2. Open the gas side service valve halfway and purge the air in the manifold hose using the refrigerant.
3. Close the liquid side service valve(all the way).
4. Turn on the unit's operating switch and start the cooling operation.
5. When the low-pressure gauge reading becomes 1 to 0.5kg/cm² G(14.2 to 7.1 P.S.I.G.), fully close the gas side valve and then quickly turn off the unit. Now Pump Down procedure is completed, and all refrigerant is collected into the outdoor unit.

CAUTION

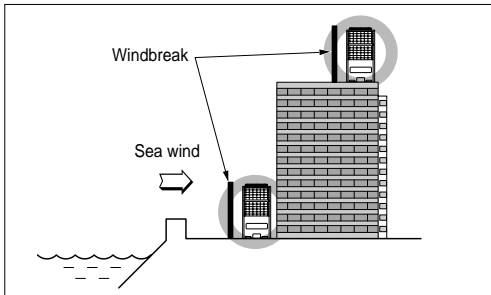
1. Air conditioners should not be installed in areas where corrosive gases, such as acid or alkaline gas, are produced.
2. Do not install the product where it could be exposed to sea wind (salty wind) directly. It can result corrosion on the product. Corrosion, particularly on the condenser and evaporator fins, could cause product malfunction or inefficient performance.
3. If outdoor unit is installed close to the seaside, it should avoid direct exposure to the sea wind. Otherwise it needs additional anticorrosion treatment on the heat exchanger.

Selecting the location(Outdoor Unit)

- 1) If the outdoor unit is to be installed close to the seaside, direct exposure to the sea wind should be avoided. Install the outdoor unit on the opposite side of the sea wind direction.



- 2) In case, to install the outdoor unit on the seaside, set up a windbreak not to be exposed to the sea wind.



- It should be strong enough like concrete to prevent the sea wind from the sea.
- The height and width should be more than 150% of the outdoor unit.
- It should be keep more than 70 cm of space between outdoor unit and the windbreak for easy air flow.

- 3) Select a well-drained place.

1. If you can't meet above guide line in the seaside installation, please contact LG Electronics for the additional anticorrosion treatment.
2. Periodic (more than once/year) cleaning of the dust or salt particles stuck on the heat exchanger by using water



P/No.: 3828A22231B