

This Owner's Manual is provided and hosted by [Appliance Factory Parts](#).



# MASTERBUILT GMFP20 Owner's Manual

[Shop genuine replacement parts for MASTERBUILT  
GMFP20](#)



[Find Your MASTERBUILT Grill Parts - Select From 589 Models](#)

----- Manual continues below -----

Masterbuilt Outdoor Products has made every effort to provide you with a quality, long-lasting, trouble-free product.

In the event of a problem, please call our toll free number

**1-800-489-1581**

**Thank You for purchasing this Masterbuilt product.**



450 Brown Avenue  
Columbus, Georgia 31906



**GRIZZLY & G**  
**GrandMAC Series Out**  
**MODELS GMFP20, GMFP**

ASSEMBLY & OPERAT  
WARNING & SAFE



**⚠ WARNING:**

**FOR OUTDOOR USE ONLY. Carbon Monoxide Hazard (See Serial Plate On Unit). Never use indoors (home, garage, enclosed porch, tent). Keep the fireplace away from buildings, garages, flammable materials, flammable fluids and automobiles while in use.**

**Do not leave unit unattended at any time.**

**⚠ WARNING:**

1. Never use indoors. Outdoor use only.
2. Use a commercially prepared fire starter only. Do not use gasoline, alcohol or other highly volatile fluids to ignite charcoal. Do not use excessive lighter fluid.
3. Do not use water to extinguish the fire, as this will damage the finish.
4. Close all vents to extinguish coals.
5. As with any fireplace, care must be taken to prevent heat damage to anything around or under the fireplace.
6. Keep away from flammable material and fluids such as gasoline, alcohol, diesel fuels, kerosene, charcoal lighter fluid and/or automobiles.
7. Do not allow children to use the fireplace. Keep children and pets away from fireplace when in use.
8. Never overfill charcoal bowl. May damage the unit and cause serious or fatal injury.
9. Do not wear flammable or loose clothing when using fireplace.
10. Do not store the fireplace with the ashes or combustible materials inside. Do not store the fireplace until the fire is completely out and all surfaces are cold.
11. Use heat protective gloves when handling the fireplace and handling the fire. Use protective gloves or long sturdy fireplace tools when adding wood or charcoal.
12. Always use in accordance with all applicable local and national fire codes. Use on non-combustible surfaces such as concrete, brick and rock.

# Masterbuilt Outdoor WARRANTY

To validate your warranty, please  
return this form within 30 days of purchase.

See  
Masterbuilt Outdoor  
450 Bro  
Columbus,

1. Name \_\_\_\_\_
2. Address \_\_\_\_\_  
  
City \_\_\_\_\_  
  
State \_\_\_\_\_
3. Dealer's Name \_\_\_\_\_
4. Dealer's Location \_\_\_\_\_
5. Date of Purchase \_\_\_\_\_
6. What brands of outdoor cookware  
\_\_\_\_\_
7. Serial # \_\_\_\_\_

Thank you for your purchase and

## WARRANTY INFORMATION:

Masterbuilt Outdoor Products warrants the GrandMAC Series GRIZZLY OUTDOOR FIREPLACE (GMFP28, GMFP28S) and the GrandMAC Series GRIZZLY CUB OUTDOOR FIREPLACE (GMFP20, GMFP20S) to be free from defects in material and workmanship for one year. This Masterbuilt Outdoor Products warranty does not cover rust of the unit. Within this period, Masterbuilt Outdoor Products shall correct any defect by repairing or replacing defective parts of the equipment.

Masterbuilt Outdoor Products requires reasonable proof of purchase and suggests that you keep your receipt. Failure to complete and return warranty information will make product warranty null and void. Upon the expiration of such warranty, all such liability shall terminate.

This warranty does not include the cost of property damage due to the failure of the product and does not cover damage due to the misuse, abuse, accident, damage arising out of transportation, or damage incurred through commercial use of this product. THIS EXPRESS WARRANTY IS THE SOLE WARRANTY GIVEN BY THE MANUFACTURER AND IS IN LIEU OF ALL OTHER WARRANTIES, EXPRESSED OR IMPLIED, INCLUDING IMPLIED WARRANTY OR MERCHANTABILITY OR FITNESS FOR A PARTICULAR PURPOSE. Neither Masterbuilt Outdoor Products nor the retail establishment selling this product, has authority to make any warranties or to promise remedies in addition to or inconsistent with those stated above. Masterbuilt Outdoor Products maximum liability, in any event, shall not exceed the purchase price of the product paid by the original consumer/ purchaser. Some states do not allow the exclusion or limitation of incidental or consequential damages. In such a case, the above limitations or exclusions may not be applicable.

Notwithstanding this limitation of warranty, the following specific restrictions apply for California residents. If service, repair, or replacement of the product is not commercially practicable, the retailer selling the product or Masterbuilt Outdoor Products will refund the purchase price paid for the product, less the amount directly attributable to use by the original buyer prior to the discovery of the nonconformity. In the state of California only, you may take the product to the retail establishment selling this product, in order to obtain performance under warranty.

This expressed warranty gives you specific legal rights, and you may also have other rights which vary from state to state.

NOTE: Paint finish may burn off under normal use and therefore it carries no warranty.

## CAUTION:

Never move the unit while in use. If moving body or lid as they may be very hot.

## GENERAL INSTRUCTIONS SAFE USE OF FIREPLACE

1. Do not burn trash, leaves, paper, etc. The use of seasoned hardwood is preferred such as pine or cedar because they burn cleaner.
2. Keep all screws and nuts tight to maintain proper operation. Inspect on regular basis to ensure proper operation.

**NOTE:** After repeated use, a discoloration may occur on the exterior of the unit.

## ⚠️ WARNING

### CARBON MONOXIDE

Burning charcoal gives off carbon monoxide, a colorless, odorless gas that is highly flammable and can kill you. DO NOT use in enclosed spaces such as vehicles or tents. Use only in well-ventilated areas.

Please read all instructions and warnings before assembly.

## TOOLS REQUIRED:

Phillips head screwdriver  
Crescent wrench or socket wrench set.

**NOTE:** Do not completely tighten screws until the assembly is complete. For easier assembly we recommend two people assemble this product.

## PARTS LIST/IDENTIFICATION:

PART NUMBER	DESCRIPTION	QUANTITY
<b>A</b>	SHORT BOLTS	4 (GRIZZLY), 2 (GRIZZLY CUB)
<b>B, BB</b>	HANDLES, HANDLE BRACKET	2
<b>C</b>	LONG BOLTS	2
<b>D</b> (GRIZZLY)	LID HANGER BRACKET	1
<b>E</b>	SMALL WASHER	12
<b>F</b>	NUTS	12
<b>G</b> (GRIZZLY CUB)	LID HANGER BRACKET	1
<b>H</b>	THE LID	1
<b>I</b>	LOCK WASHERS	10
<b>J</b>	FIRE SCREEN	1
<b>K</b>	COOKING GRILL	1
<b>L</b>	THE BOWL	1
<b>M</b>	BOWL HANDLE BRACKET	1
<b>N</b> (GRIZZLY)	WHEEL SUPPORT AXLE	1
<b>O</b> (GRIZZLY)	TUBE LEG	1
<b>P</b> (GRIZZLY)	WHEEL TUBE LEG	1
<b>Q</b> (GRIZZLY)	LARGE NUTS FOR WHEELS	2
<b>R</b> (GRIZZLY)	WHEEL	2
<b>S</b>	BOLTS	6
<b>T</b>	SMALL AIR DAMPER BOLT	1
<b>U</b>	AIR DAMPER TOP	2
<b>V</b>	AIR DAMPER BASE	2
<b>W</b>	WING NUT	2
<b>X</b>	WOOD GRATE	1
<b>Y</b> (GRIZZLY CUB)	LOCKING LEGS (SMALL)	4
<b>Z</b>	FEET	2 (GRIZZLY), 4 (GRIZZLY CUB)
<b>AA</b>	STABILIZER PLATE	1

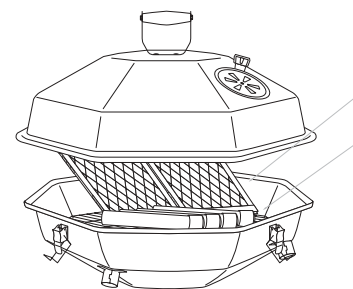
## STEP 6 (GRIZZLY) Attach AIR DAMPER

Connect AIR DAMPERS to LID (H) by threading AIR DAMPER TOPS (U) and AIR DAMPER BASES (V) with SMALL AIR DAMPER BOLTS (T) and WING NUTS (W).

## STORAGE (BOTH MO

FIRE SCREEN can be stored inside the LID and BASE on both models. The LEGS can be stored inside the LID and BASE in the GRIZZLY CUB.

**WARNING:** Do not move while in use. If movement becomes necessary, use caution and protective gloves when handling fireplace.



## STEP 5 (GRIZZLY) Attach HANDLE to LID:

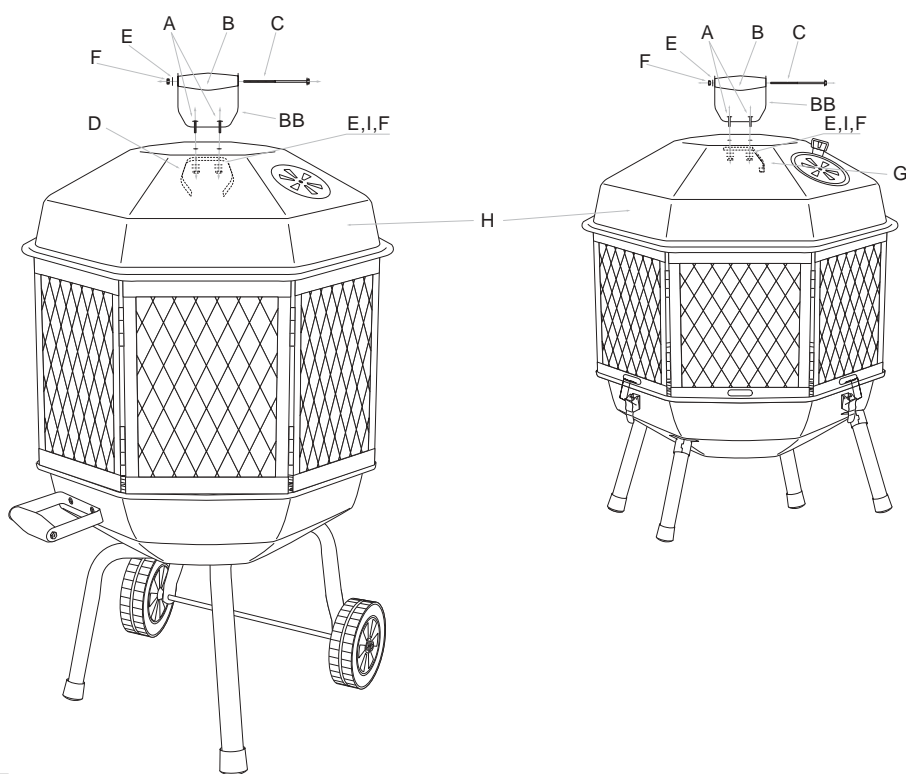
First thread a LONG BOLT (C) through HANDLE (B) and HANDLE BRACKET (BB), and fasten with a SMALL WASHER (E) and a NUT (F).

Next, attach HANDLE to LID (H) and the LID HANGER BRACKET (D) to inside of LID (H) using two (2) BOLTS (A), SMALL WASHERS (E), LOCK WASHERS (I) and NUTS (F).

## STEP 5 (GRIZZLY CUB) Attach HANDLE to LID:

First thread a LONG BOLT (C) through HANDLE (B) and HANDLE BRACKET (BB), and fasten with a SMALL WASHER (E) and a NUT (F).

Next, attach HANDLE to LID (H) and the LID HANGER BRACKET (G) to inside of LID (H) using two (2) BOLTS (A), SMALL WASHERS (E), LOCK WASHERS (I) and NUTS (F).



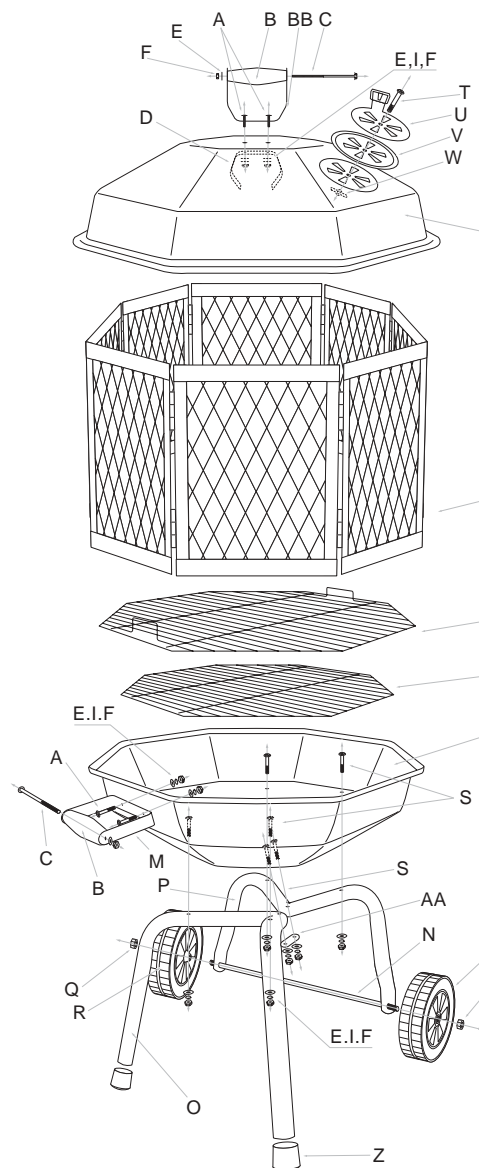
7

## WARNING:

FIREPLACE IS FOR OUTDOOR USE ONLY!  
INDOORS! INDOOR USE CAN BE FATAL!

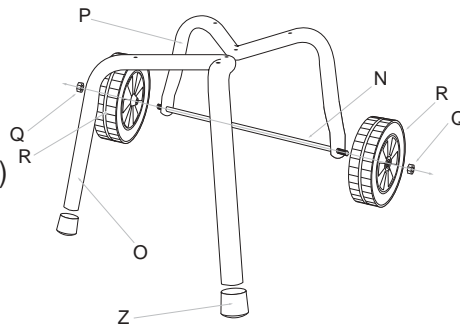
## ASSEMBLY INSTRUCTIONS

### THE GRIZZLY GMFP28, GMFP28S



## STEP 1 (GRIZZLY): Leg Assembly

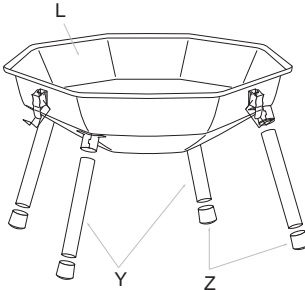
Thread WHEEL SUPPORT AXLE (N) through opening in WHEEL TUBE LEG (P) then attach WHEELS (R) to SUPPORT AXLE (N) with LARGE NUT FOR WHEELS (Q).



Next, place FEET (Z) on TUBE LEG (O).

## STEP 1 (GRIZZLY CUB): Leg Assembly

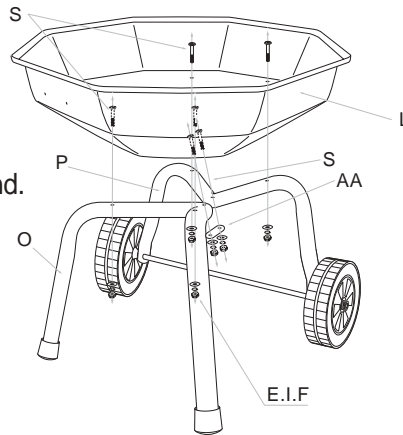
Place FEET (Z) on LOCKING LEGS (Y), then attach LOCKING LEGS (Y) to BOWL (L). LOCKING LEGS (Y) should snap into place.



## STEP 2 (GRIZZLY): Attach legs to BOWL

**NOTE:** Make sure to thread bolts downward through center holes in BOWL (L) toward ground.

First attach TUBE LEG (O) and WHEEL TUBE LEG (P) to BOWL (L) with four (4) BOLTS (S), and fasten with SMALL WASHERS (E), LOCK WASHERS (I) and NUTS (F), through outer holes.



Next attach LEGS together with STABILIZER PLATE (AA). Use two (2) BOLTS (S), SMALL WASHERS (E), LOCK WASHERS (I) and NUTS (F).

## STEP 3 (GRIZZLY) Attach HANDLE to B

**NOTE:** TUBE LEG (O) should be located directly behind holes on front of BOWL (L).

First thread a LONG BOLT (C) through

HANDLE (B) and BOWL HANDLE BRACKET (M), and fasten with a NUT (F) and a SMALL WASHER (E).

Next, attach HANDLE to BOWL (L) using two (2) BOLTS (A), SMALL WASHERS (E), LOCK WASHERS (I) and NUTS (F).

## STEP 4 (BOTH MODELS) Add GRATES and FI

