

This Owner's Manual is provided and hosted by [Appliance Factory Parts](#).



Weber 1427001 Owner's Manual

[Shop genuine replacement parts for Weber 1427001](#)



[Find Your Weber Grill Parts - Select From 2037 Models](#)

----- Manual continues below -----

PERFORMER®



Charcoal Grill Owner's Guide

Guía del propietario del asador - Pg 23

Guide de l'utilisateur du grill - Pg 35

Assembly, Ensamblaje, Assemblage - Pg 7

#56201



**YOU MUST READ THIS OWNERS GUIDE
BEFORE OPERATING YOUR GAS GRILL**

⚠ DANGER

If you smell gas:

1. Shut off gas to the appliance.
2. Extinguish any open flames.
3. Open lid.
4. If odor continues, keep away from the appliance and immediately call your gas supplier or your fire department.

Leaking gas may cause a fire or explosion which can cause serious bodily injury or death, or damage to property.

⚠ WARNING

1. Do not store spare liquid propane cylinder within 10 feet (3m) of this appliance.
2. Do not store or use gasoline or other flammable liquids or vapors within 25 feet (8m) of this appliance.

⚠ **WARNING:** Follow all leak-check procedures carefully in this manual prior to barbecue operation. Do this even if the barbecue was dealer-assembled.

NOTICE TO INSTALLER: These instructions must be left with the owner and the owner should keep them for future use.

**THIS GAS APPLIANCE IS DESIGNED FOR
OUTDOOR USE ONLY.**

⚠ **WARNING:** Do not try to light this appliance without reading the "Lighting" Instructions section of this manual.

⚠ **Failure to follow these instructions could result in fire or explosion which could cause property damage, personal injury or death.**



56201 US 01/28/10

DANGERS AND WARNINGS

FAILURE TO HEED THESE DANGER, WARNING AND CAUTION STATEMENTS MAY CAUSE SERIOUS BODILY INJURY OR DEATH, OR A FIRE OR EXPLOSION RESULTING IN DAMAGE TO PROPERTY.

- △ SAFETY SYMBOLS (△) will alert you to important SAFETY information.
- △ Signal Words DANGER, WARNING, or CAUTION will be used with the SAFETY SYMBOL.
- △ DANGER will identify the most serious hazard.
- △ Please read all safety information contained in this Owner's Guide before operating this barbecue.

△ DANGERS

- △ Failure to follow the Dangers, Warnings and Cautions contained in this Owner's Manual may result in serious bodily injury or death, or in a fire or an explosion causing damage to property.
- △ Do not use indoors! This barbecue is designed for outdoor use only. If used indoors, toxic fumes will accumulate and cause serious bodily injury or death.
- △ Only use this barbecue outdoors in a well-ventilated area. Do not use in a garage, building, breezeway or any other enclosed area.
- △ Do not use this barbecue under any overhead combustible construction.
- △ Improper assembly may be dangerous. Please follow the assembly instructions in this manual. Do not use barbecue unless all parts are in place. Make sure either the ash catcher is properly attached to the legs underneath the bowl of the barbecue, or the high capacity ash catcher is in place, before lighting the grill.
- △ Do not add charcoal starter fluid or charcoal impregnated with charcoal lighter fluid to hot or warm charcoal. Cap starter fluid after use, and place a safe distance away from the barbecue.
- △ Do not use gasoline, liquid fire starter, alcohol or other highly volatile fluids on the charcoal at any time. Do not use any form of self-lighting charcoal at any time.
- △ You should exercise reasonable care when operating your barbecue. It will be hot during cooking and should never be left unattended during use.
- △ Do not leave infants, children or pets unattended near a hot barbecue.
- △ Do not attempt to move a hot barbecue.
- △ Do not use this barbecue within five feet of any combustible material. Combustible materials include, but are not limited to wood or treated wood decks, patios and porches.
- △ Combustible materials should never be within 24 inches of the top, bottom, back or sides of barbecue.
- △ Keep the cooking area clear of flammable vapor and liquids, such as gasoline, alcohol, etc., and combustible material.
- △ Do not remove ashes until all charcoal is completely burned out and are fully extinguished and grill is cool.
- △ Always put charcoal in Char-Baskets™ or on top of the lower (charcoal) grate. Do not put charcoal directly in the bottom of the bowl.
- △ Do not wear clothing with loose flowing sleeves while lighting or using the barbecue.
- △ Never lean over the barbecue when lighting the gas burner.
- △ Do not use barbecue in high winds.
- △ Do not operate the barbecue if a gas leak is present.
- △ Do not use a flame to check for gas leaks.
- △ Should the burner go out at any time during operation, turn tank valve off. Remove lid and wait five minutes before attempting to relight, using the lighting instructions outlined in this Manual.
- △ Do not attempt to disconnect the gas regulator from the tank or any gas fitting while the barbecue is in use.
- △ Use only the LP gas regulator that is supplied with your barbecue.

△ WARNINGS

- △ Do not store a spare or disconnected LP tank under or near this barbecue.
- △ Keep the barbecue on a secure, level surface at all times, clear of combustible materials.
- △ Do not put a barbecue cover or anything flammable on or in the storage area under the barbecue
- △ Always remove the lid before lighting the gas burner, either manually or with the igniter. Lid must remain OFF until charcoal is fully ignited.
- △ Never touch the cooking or charcoal grates, ashes, charcoal or the barbecue to see if they are hot.
- △ Do not use lava or char rocks in this barbecue.
- △ Do not use water to control flare-ups or to extinguish charcoal, as it may damage the porcelain finish. Slightly close bottom air vents (dampers) and place lid on bowl.
- △ Extinguish coals when finished cooking. Close all vents (dampers) after putting lid on bowl.
- △ Barbecue mitts should always be worn while cooking, adjusting air vents (dampers), adding charcoal and handling the thermometer or lid.
- △ Use proper barbecue tools, with long, heat-resistant handles.
- △ Some models may include the Tuck-Away™ lid holder feature. The Tuck-Away™ lid holder is used to store the lid while checking on or turning your food. Do not use the Tuck-Away™ lid holder as a handle to lift or move the grill. Do not place a hot lid on carpeting or grass. Do not hang the lid on the bowl handle.
- △ Never dump hot coals where they might be stepped on or be a fire hazard. Never dump ashes or coals before they are fully extinguished. Do not store barbecue until ashes and coals are fully extinguished.

DANGERS AND WARNINGS (CONT'D)

⚠ WARNINGS (cont'd)

- ⚠ Handle and store hot electric starters carefully.
- ⚠ Keep electrical wires and cords away from the hot surfaces of the barbecue and away from high traffic areas.
- ⚠ After a period of storage and/or nonuse, check for gas leaks and burner obstructions before using. See instructions in this manual for correct procedures.
- ⚠ The conversion or attempted use of natural gas in this barbecue is dangerous and will void your warranty.
- ⚠ A dented or rusty LP tank may be hazardous and should be checked by your liquid propane supplier. Do not use an LP tank with a damaged valve.
- ⚠ Although your LP tank may appear to be empty, it may still contain gas. The tank should be transported and stored accordingly.
- ⚠ Combustion by-products produced when using this product contain chemicals known to the State of California to cause cancer, birth defects or other reproductive harm.
- ⚠ **PROP 65 WARNING:** Handling the brass material on this product exposes you to lead, a chemical known to the State of California to cause cancer, and birth defects and other reproductive harm. *Wash hands after handling this product.*
- ⚠ If you see, smell or hear gas escaping from the LP tank:
 1. Get away from the LP tank.
 2. Do not attempt to correct the problem yourself.
 3. Call your Fire Department.

⚠ CAUTIONS

- ⚠ Lining the bowl with aluminum foil will obstruct the air flow. Instead, use a drip pan to catch drippings from meat when cooking by the Indirect Method.
- ⚠ Using sharp objects to clean the cooking grate or remove ashes will damage the finish.
- ⚠ Using abrasive cleaners on the cooking grates or the barbecue itself will damage the finish.
- ⚠ The barbecue should be thoroughly cleaned on a regular basis.

WARRANTY

Weber-Stephen Products Co. (Weber) hereby warrants to the ORIGINAL PURCHASER of this Weber® gas grill that it will be free of defects in material and workmanship from the date of purchase as follows:

Cooking / Charcoal grates	2 years
Stainless Steel One-Touch® Cleaning System	10 years
Bowl and lid against rust / burn-through	10 years
Nylon handles	10 years
Thermoplastic/Thermoset Parts(Performer®)	10 years
	excluding fading
All remaining parts	2 years

when assembled and operated in accordance with the printed instructions accompanying it. Weber may require reasonable proof of your date of purchase. THEREFORE, YOU SHOULD RETAIN YOUR SALES SLIP OR INVOICE.

This Limited Warranty shall be limited to the repair or replacement of parts that prove defective under normal use and service and which on examination shall indicate, to Weber's satisfaction, they are defective. Before returning any parts, contact the Customer Service Representative in your area using the contact information on our website. If Weber confirms the defect and approves the claim, Weber will elect to replace such parts without charge. If you are required to return defective parts, transportation charges must be prepaid. Weber will return parts to the purchaser, freight or postage prepaid.

This Limited Warranty does not cover any failures or operating difficulties due to accident, abuse, misuse, alteration, misapplication, vandalism, improper installation or improper maintenance or service, or failure to perform normal and routine maintenance, including but not limited to damage caused by insects within the burner tubes, as set out in this owner's manual.

Deterioration or damage due to severe weather conditions such as hail, hurricanes, earthquakes or tornadoes, discoloration due to exposure to chemicals either directly or in the atmosphere, is not

covered by this Limited Warranty.

There are no other express warrants except as set forth herein and any applicable implied warranties of merchantability and fitness are limited in duration to the period of coverage of this express written Limited Warranty. Some regions do not allow limitation on how long an implied warranty lasts, so this limitation may not apply to you.

Weber is not liable for any special, indirect or consequential damages. Some regions do not allow the exclusion or limitation of incidental or consequential damages, so this limitation or exclusion may not apply to you.

Weber does not authorize any person or company to assume for it any other obligation or liability in connection with the sale, installation, use, removal, return, or replacement of its equipment; and no such representations are binding on Weber.

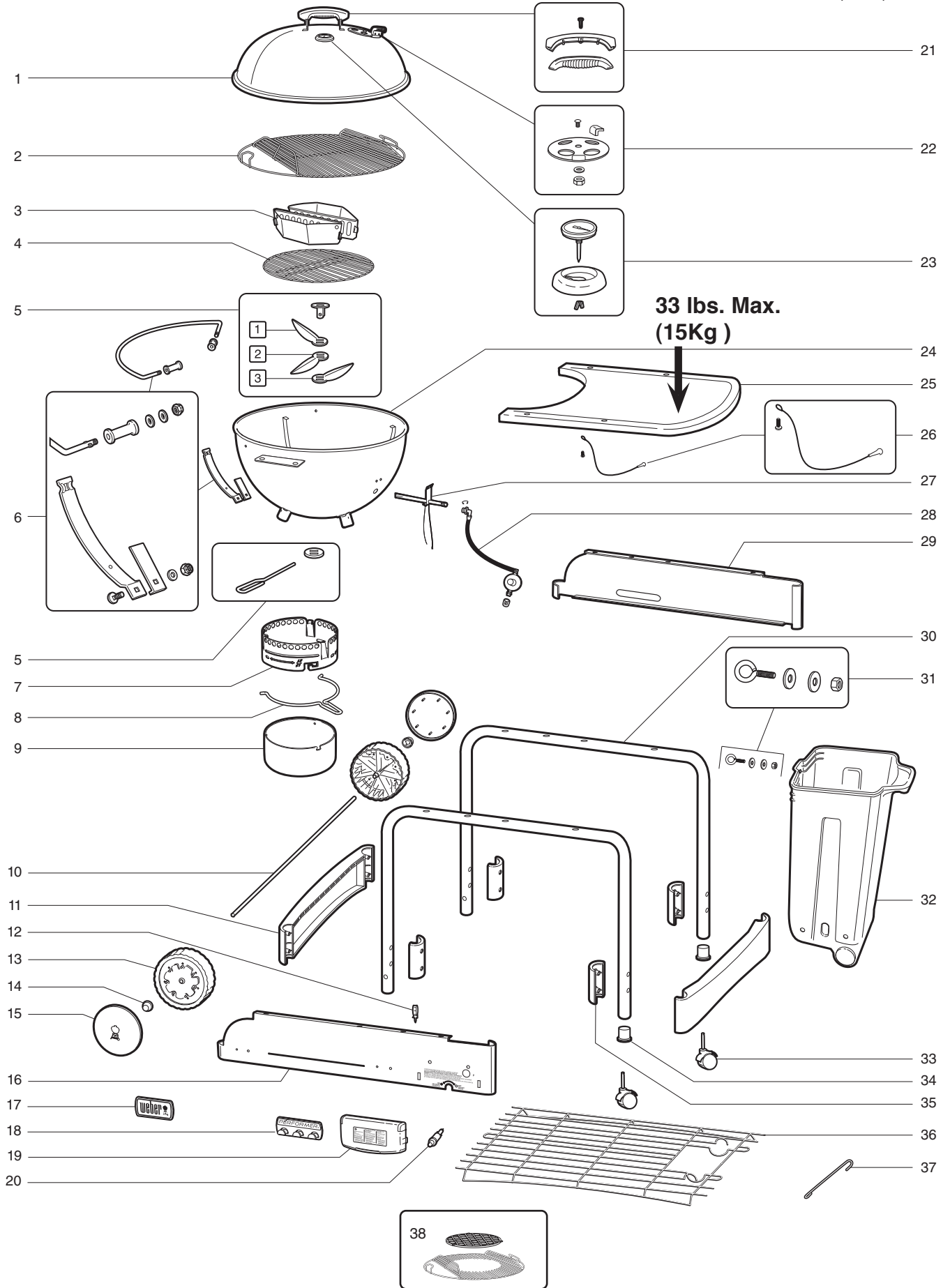
This Warranty applies only to products sold at retail.

WEBER-STEPHEN PRODUCTS CO.
Customer Service Center
1890 Roselle Road, Suite 308
Schaumburg, IL 60195
USA

For replacement parts call:

1-800-446-1071

Visit www.weber.com®, select your country of origin, and register your grill today.

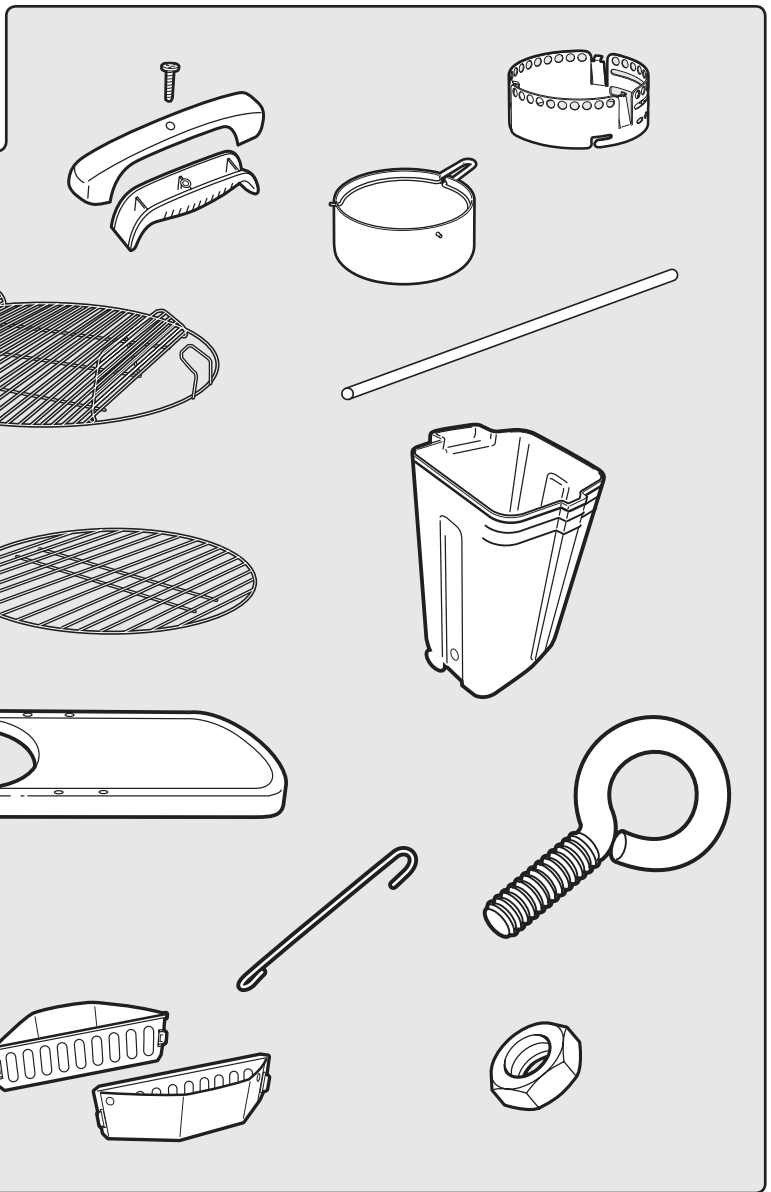
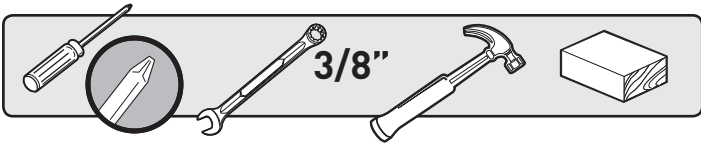


EXPLODED VIEW LIST • LISTA DEL DIAGRAMA DE DESPIECE • LISTE DE LA VUE ECLATEE

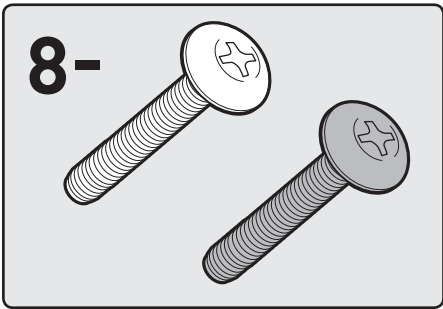
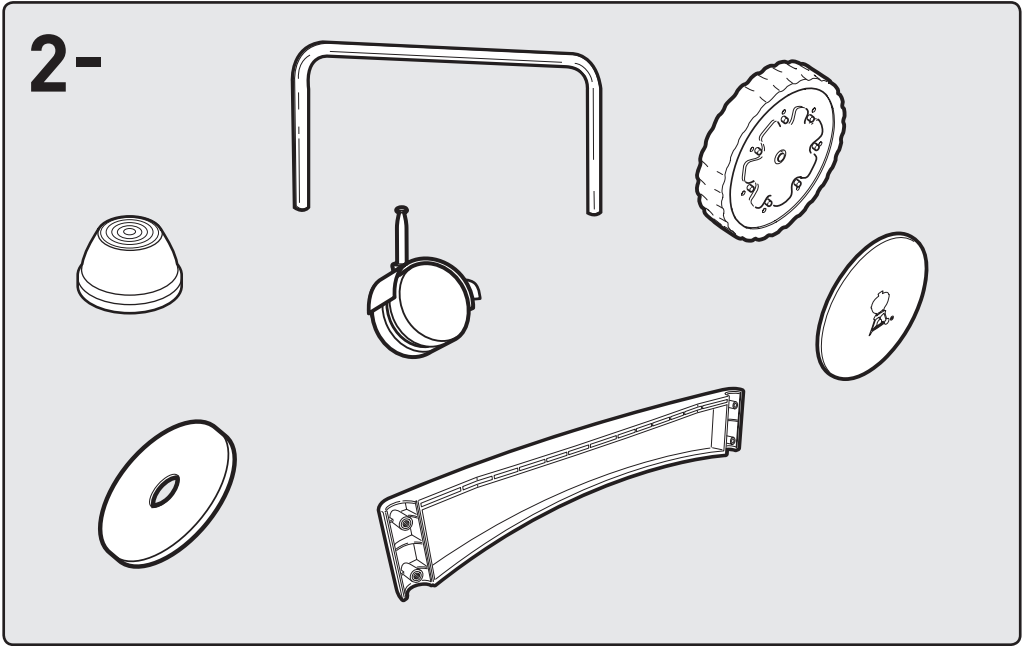
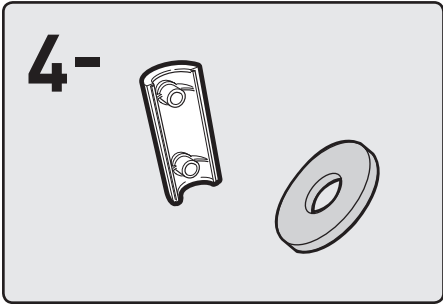
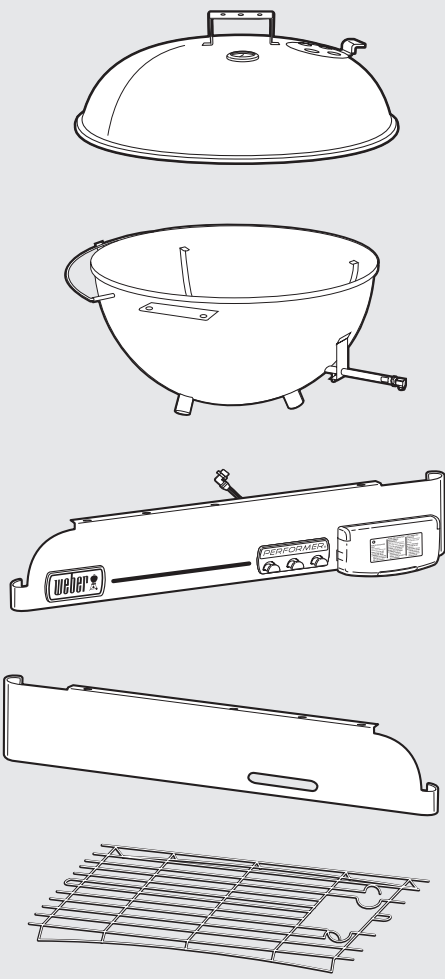
- | | | |
|--|--|---|
| 1. Lid
Tapa
Couvercle | 14. Hub Cap
Tapa del cubo
Cache du moyeux | 27. Burner Assembly
Ensamble del quemador
Assemblage du brûleur |
| 2. Hinged Cooking Grate
Rejilla de cocción con bisagras
Grille de cuisson avec gonds | 15. Wheel Cover
Tapa de la rueda
Cache de la roue | 28. Hose & Regulator with Orifice Clip
Manguera y regulador con clip del orificio
Tuyau & régulateur avec pince pour l'orifice |
| 3. Charcoal Baskets
Canastas para carbón vegetal
Paniers à charbon de bios | 16. Front Panel
Panel delantero
Panneau avant | 29. Rear Panel
Panel posterior
Panneau arrière |
| 4. Charcoal Grate
Rejilla para el carbón
Grille à charbon de bois | 17. Logo Plate
Placa del logotipo
Plaque avec le logo | 30. Frame Leg
Pata tipo marco
Pied du châssis |
| 5. One Touch® Damper Assembly
Ensamble del regulador de aire One Touch®
Assemblage du registre One Touch® | 18. Tool Holders
Portaherramientas
Supports pour les ustensiles | 31. CharBin™ Hardware
Herrajes del CharBin™
Matériel CharBin™ |
| 6. Lid Holder & Lower Support Assembly
Ensamble del portatapas y soporte inferior
Porte-couvercle & assemblage du couvercle inférieur | 19. Gas Control Cover
Cubierta del control de gas
Couvercle de la commande du gaz | 32. CharBin™
CharBin™
CharBin™ |
| 7. Ash Catcher Ring
Aro del recolector de cenizas
Anneau de l'attrape-cendre | 20. Igniter
Encendedor
Allumeur | 33. Casters
Ruedas locas
Roulettes |
| 8. Ash Catcher Handle
Manivela del recolector de cenizas
Poignée de l'attrape-cendre | 21. Lid Handle Assembly
Ensamble del asa de la tapa
Assemblage de la poignée du couvercle | 34. Caster Inserts
Insertos para las ruedas locas
Inserts pour les roulettes |
| 9. High Capacity Ash Catcher
Recolector de cenizas de alta capacidad
Attrape-cendre haute capacité | 22. Lid Damper Assembly
Ensamble del regulador de aire de la tapa
Assemblage du registre du couvercle | 35. Leg Frame Bracket Clamp
Abrazadera de la ménsula del marco de las patas
Pince du support du châssis du pied |
| 10. Axle
Eje
Axe | 23. Thermometer Assembly
Ensamble del termómetro
Assemblage du thermomètre | 36. Bottom Rack
Rejilla inferior
Grille inférieure |
| 11. Leg Frame Bracket
Ménsula del marco de las patas
Support du châssis du pied | 24. Bowl
Tazón
Cuve | 37. Matchlight Holder
Portacerillos
Support du porte-allumettes |
| 12. Igniter Wire Stay
Tensor del encendedor
Câble de l'allumeur | 25. Table
Mesa
Table | |
| 13. Wheel
Rueda
Roue | 26. CharBin™ Retention Chain
Cadena de retención del CharBin™
Chaîne de retenue CharBin™ | |

MAY INCLUDE: • PUEDE INCLUIR: • PEUT CONTENIR:

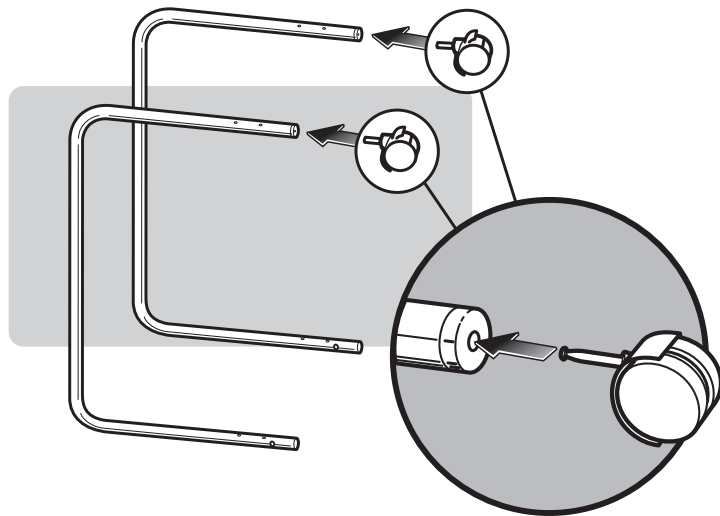
38. **Sear Grate with Hinged Cooking Grate**
Rejilla para dorar a fuego vivo con rejilla de cocción con bisagra.
Grille à saisir avec grille de cuisson avec gonds



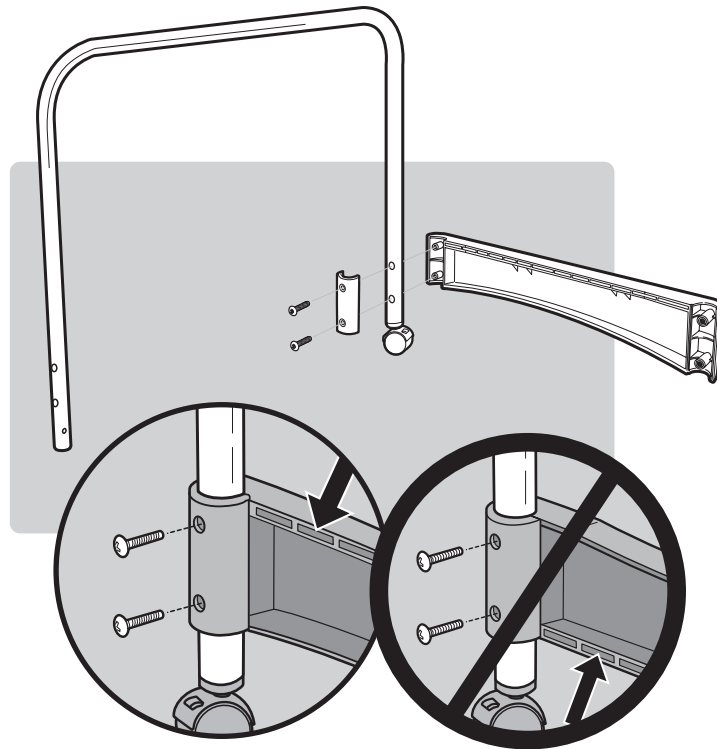
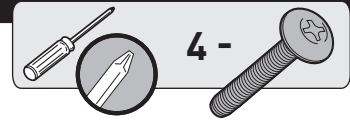
1-



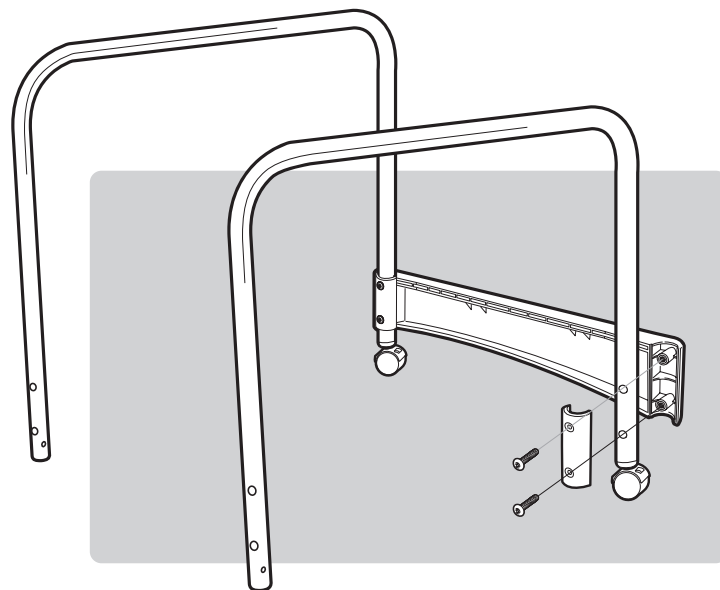
1



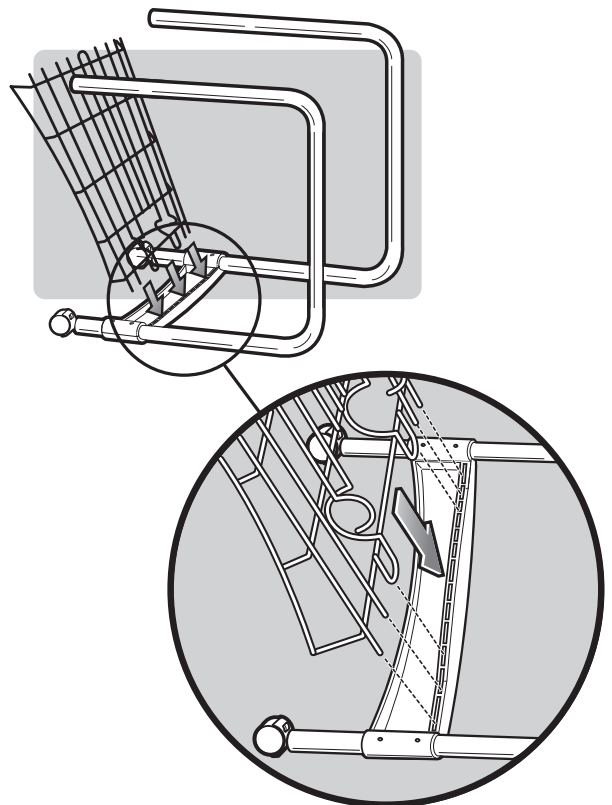
2



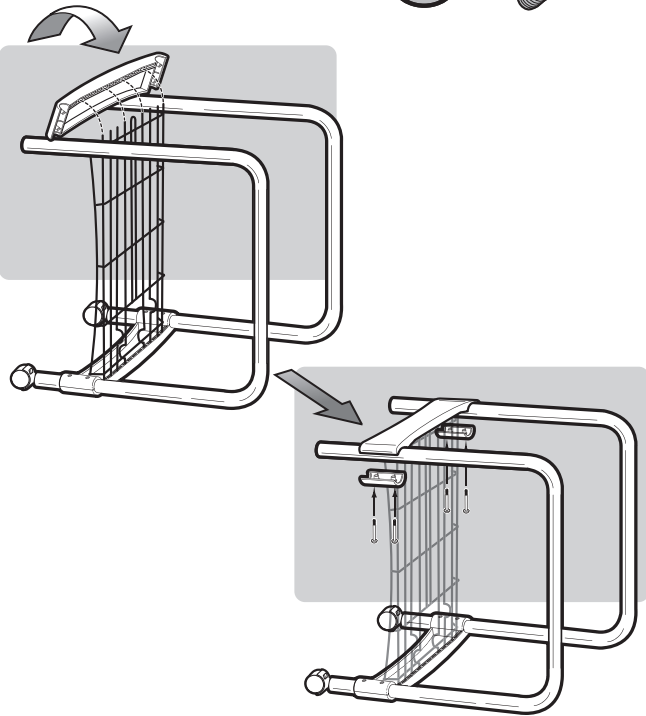
3



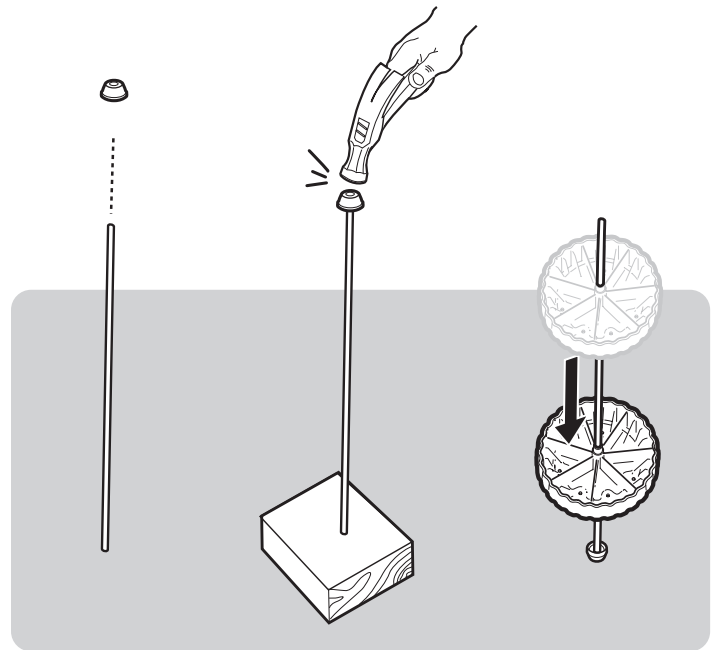
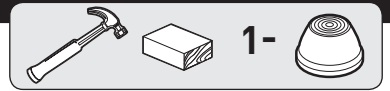
4



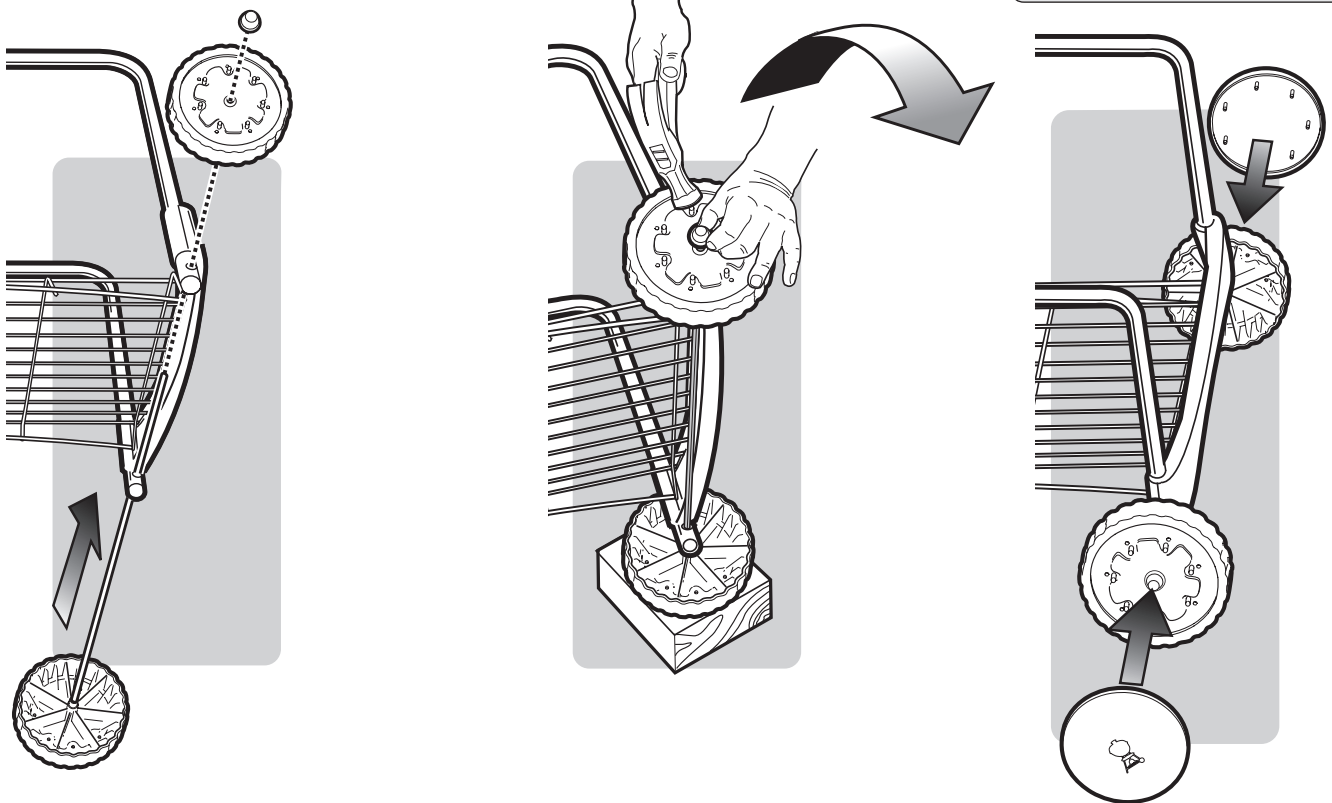
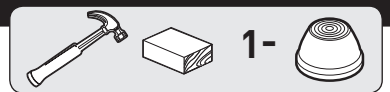
5



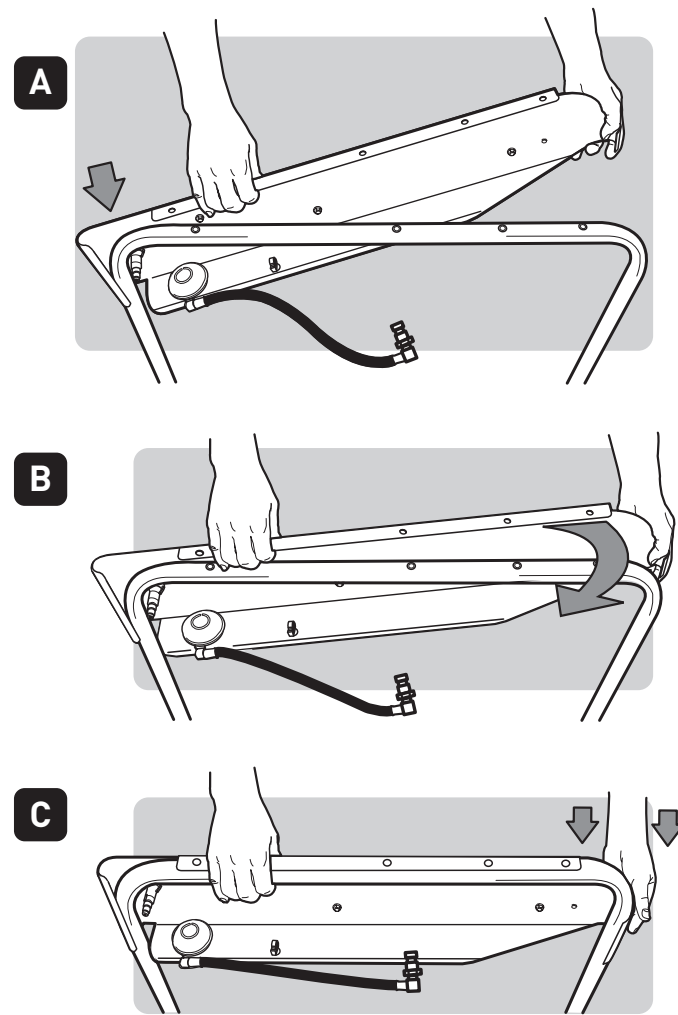
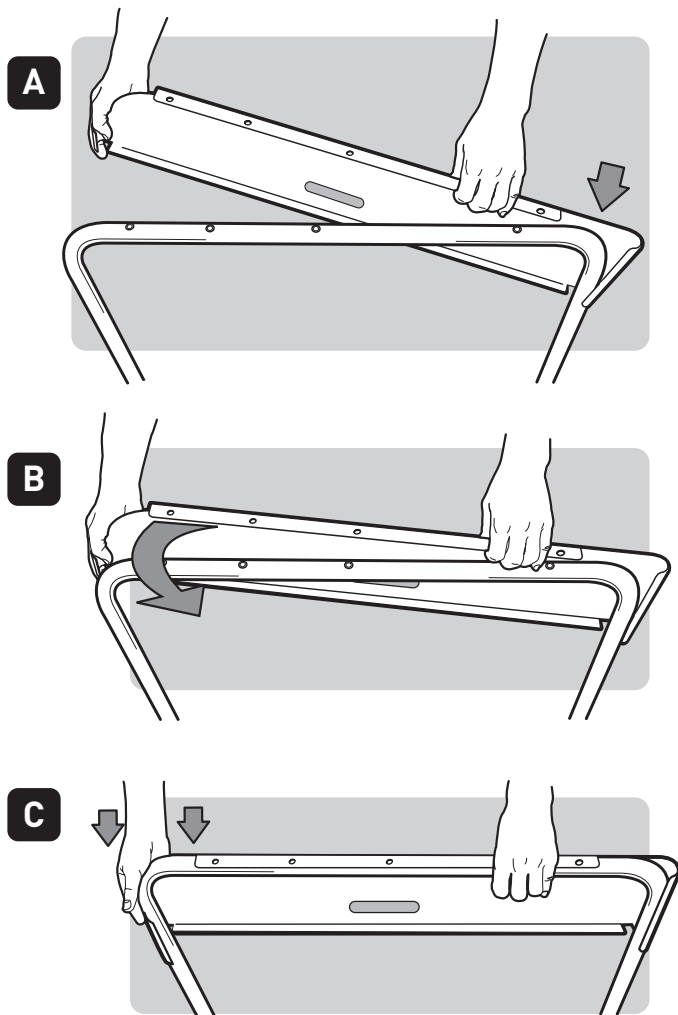
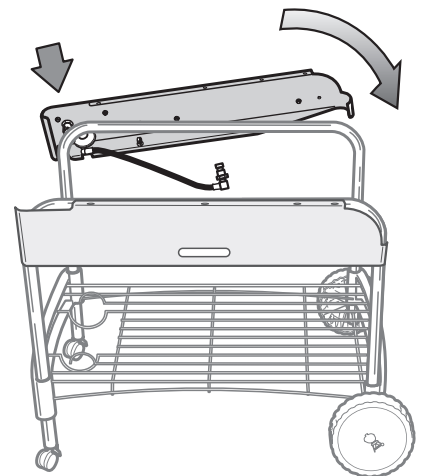
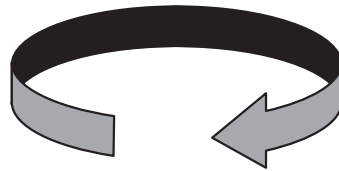
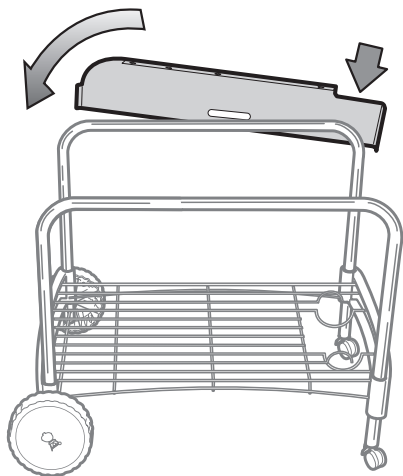
6



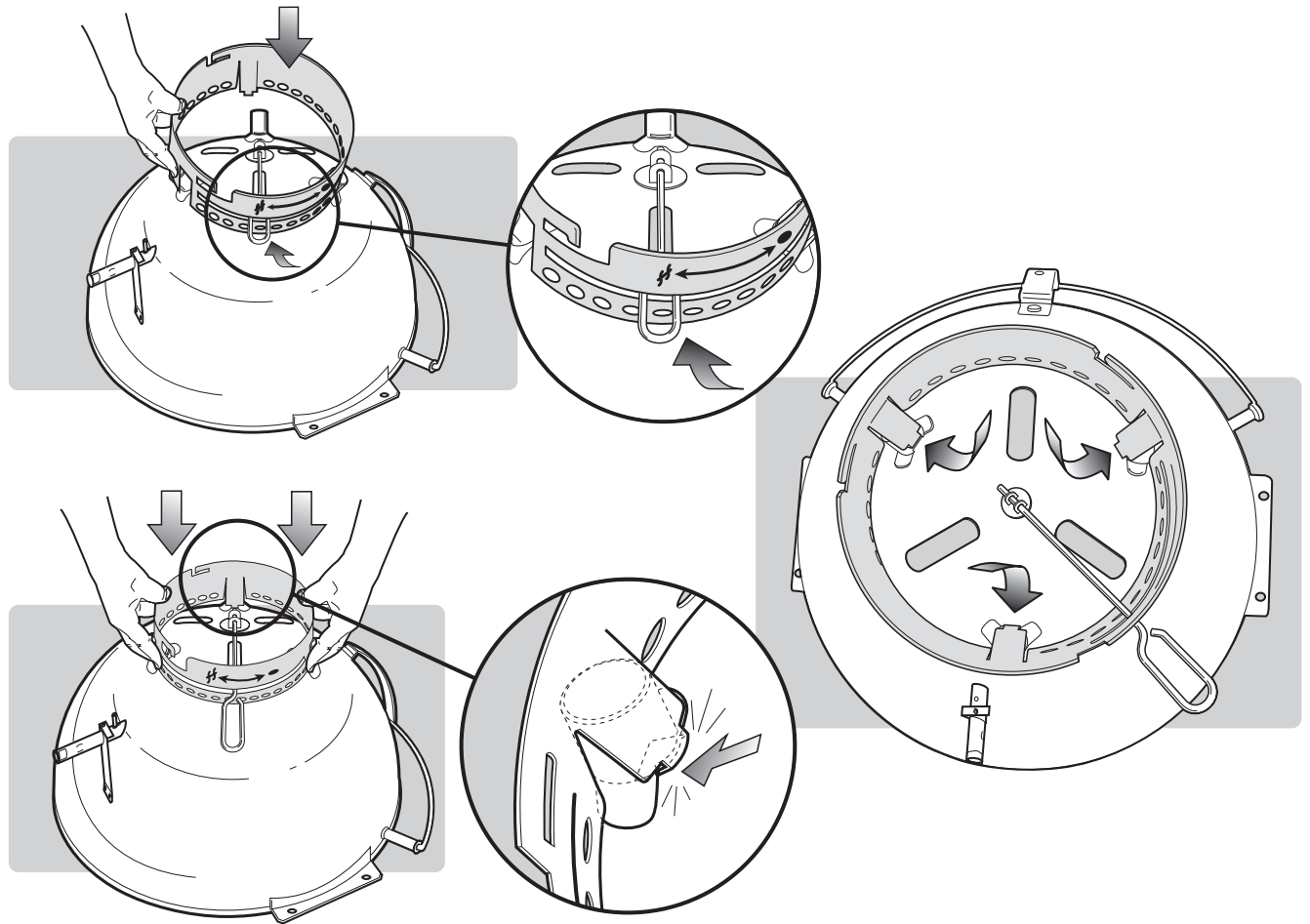
7



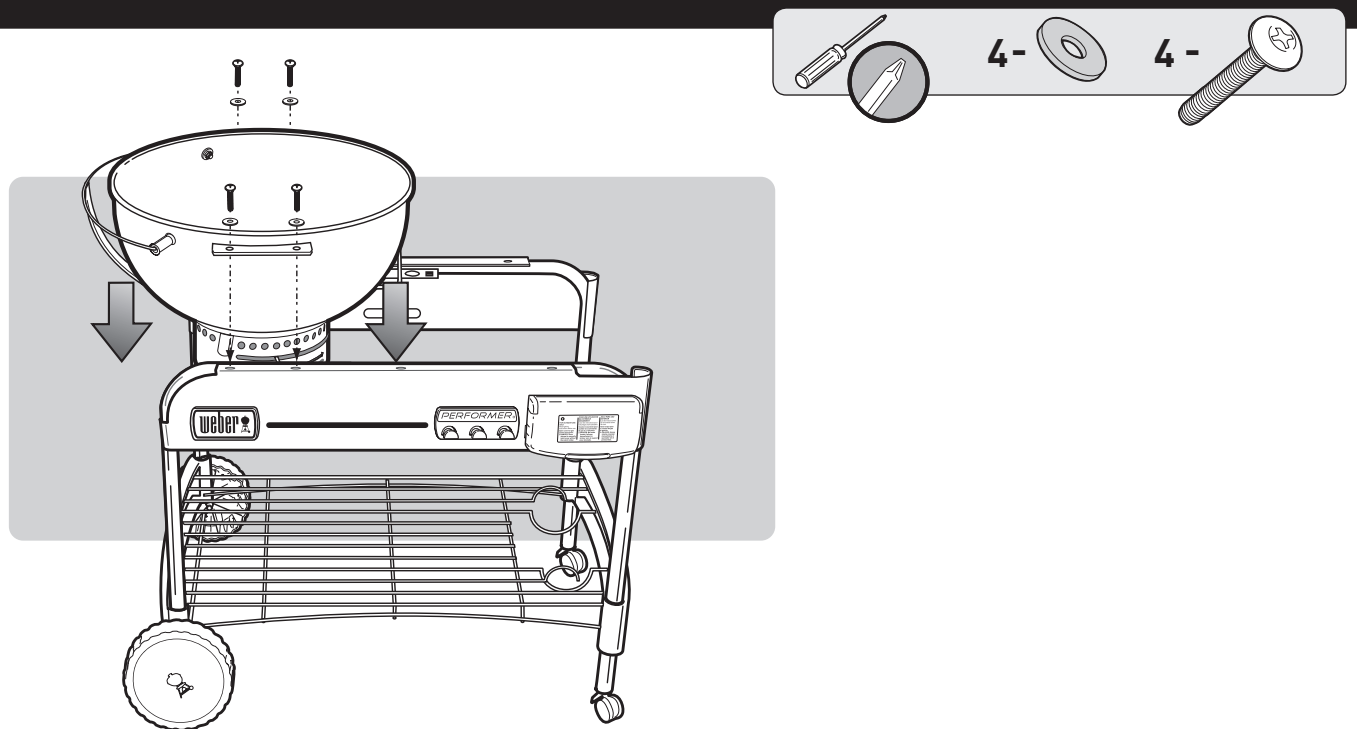
8



9

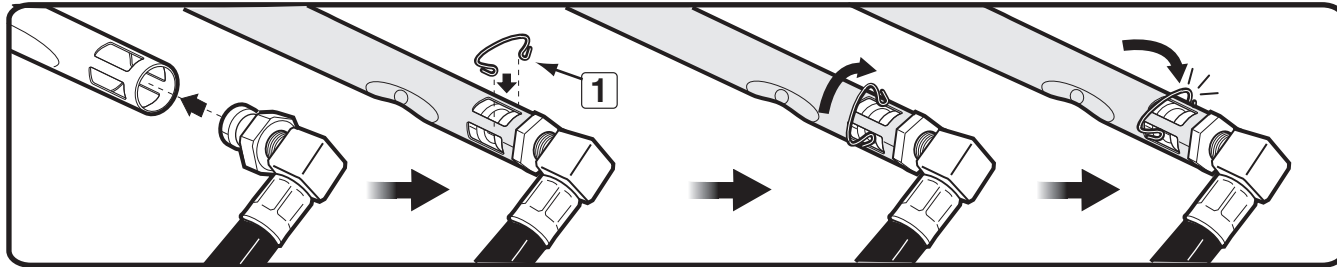
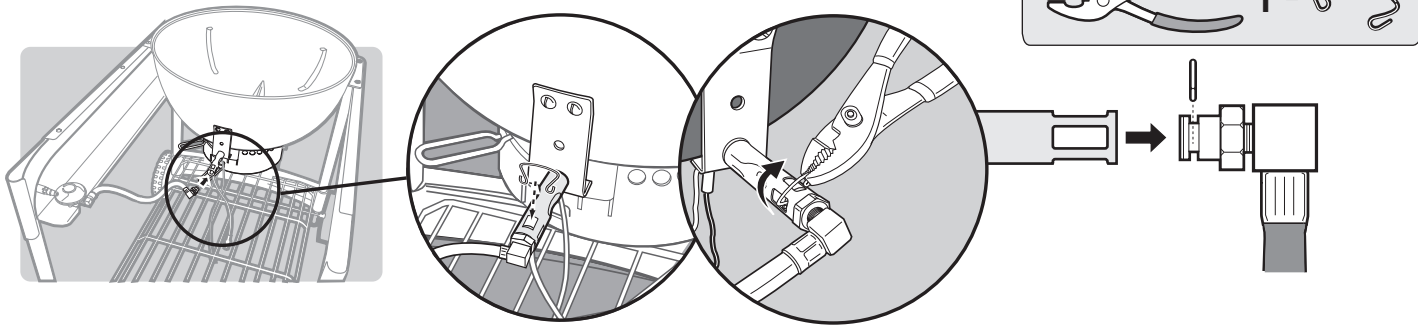


10

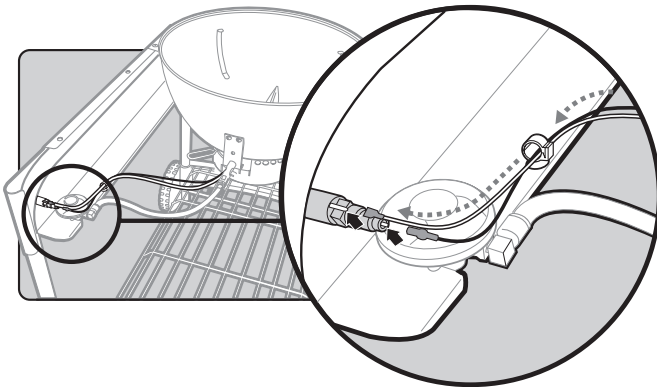


11

A



B



⚠ WARNING

Prior to use, pull the gas hose and orifice to make sure that the retaining clip is in place and that the gas hose and orifice is securely attached inside the burner tube.

A missing retaining clip can cause the gas hose and orifice to move out of the burner tube. This can cause a fire resulting in serious bodily injury or death and damage to property.

⚠ DANGER

Do not use the gas ignition feature if the retaining clip (1) securing the gas line and orifice into the burner tube is missing.

A missing retaining clip can cause the gas hose and orifice to move out of the burner tube. This can cause a fire resulting in serious bodily injury or death and damage to property.

⚠ ADVERTENCIA

Antes de utilizarse, hale la manguera de gas y el orificio para asegurarse de que el clip de retención esté en su lugar y el orificio esté bien sujeto dentro del tubo quemador.

Un clip de retención faltante puede ocasionar que la manguera de gas y el orificio se salgan del tubo quemador. Esto podría resultar en un incendio causante de heridas corporales graves y daños materiales.

⚠ PELIGRO

No utilice la función de encendido del gas si faltase el clip de retención (1) que sujeta la línea de gas y el orificio dentro del quemador de gas.

Un clip de retención faltante puede ocasionar que la manguera de gas y el orificio se salgan del tubo quemador. Esto podría resultar en un incendio causante de heridas corporales graves y daños materiales.

⚠ MISE EN GARDE

Avant utilisation, tirez sur le tuyau de gaz et sur l'orifice pour vous assurer que la pince de retenue est en place et que le tuyau de gaz et l'orifice sont solidement fixés à l'intérieur du tube du brûleur.

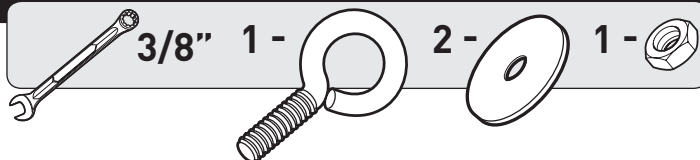
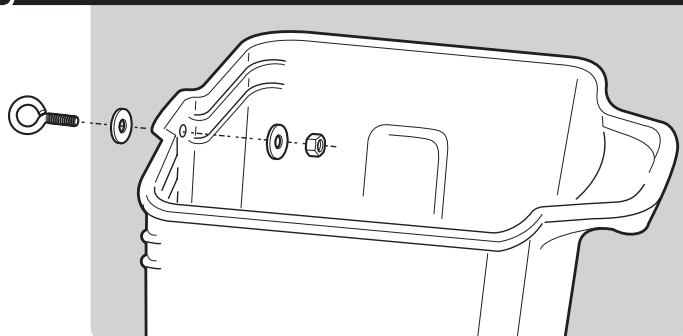
Une pince de retenue manquante peut provoquer la sortie du tuyau de gaz et de l'orifice hors du tube du brûleur. Ceci peut provoquer un incendie avec pour conséquence des blessures graves ou un décès ainsi que des dégâts matériels.

⚠ DANGER

N'utilisez pas la fonction d'allumage du gaz si la pince de retenue (1) qui fixe la conduite de gaz et l'orifice à l'intérieur du tube du brûleur est manquante.

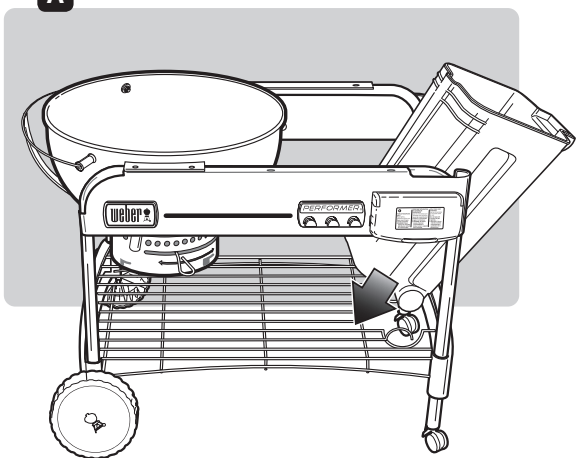
Une pince de retenue manquante peut provoquer la sortie du tuyau de gaz et de l'orifice à l'extérieur du tube du brûleur. Ceci peut provoquer un incendie avec pour conséquence des blessures graves ou un décès ainsi que des dégâts matériels.

12

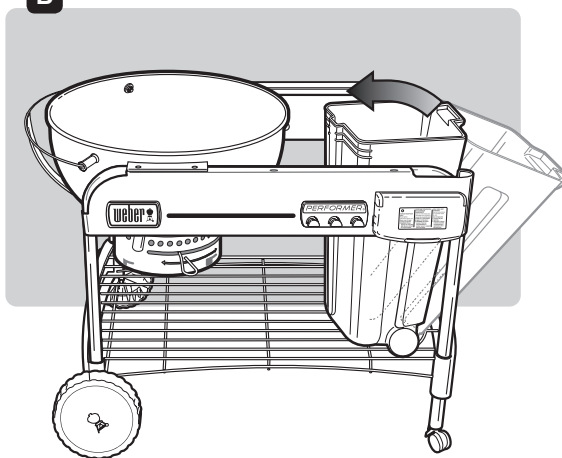


13

A



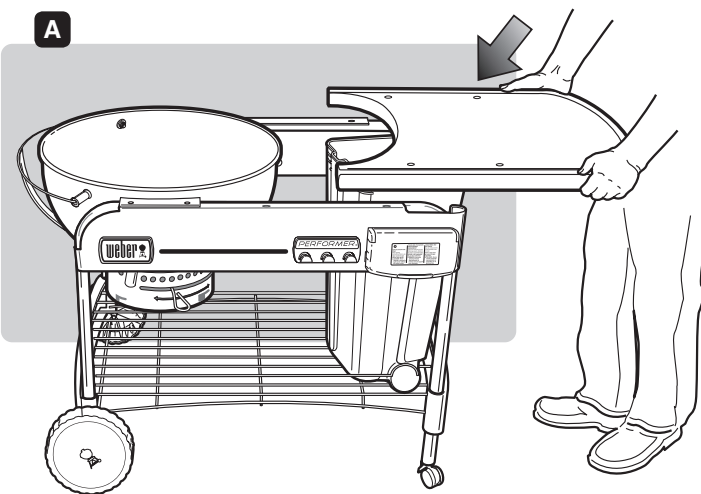
B



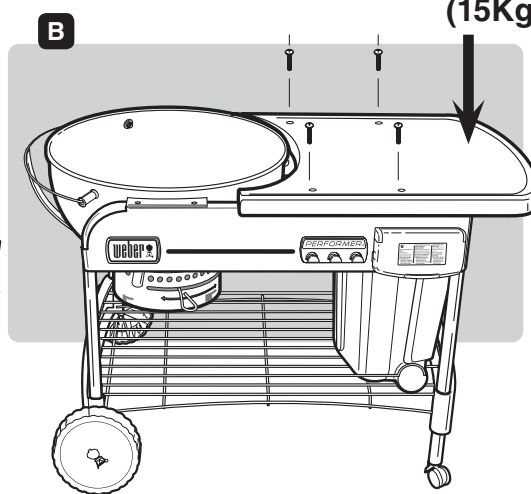
14



A

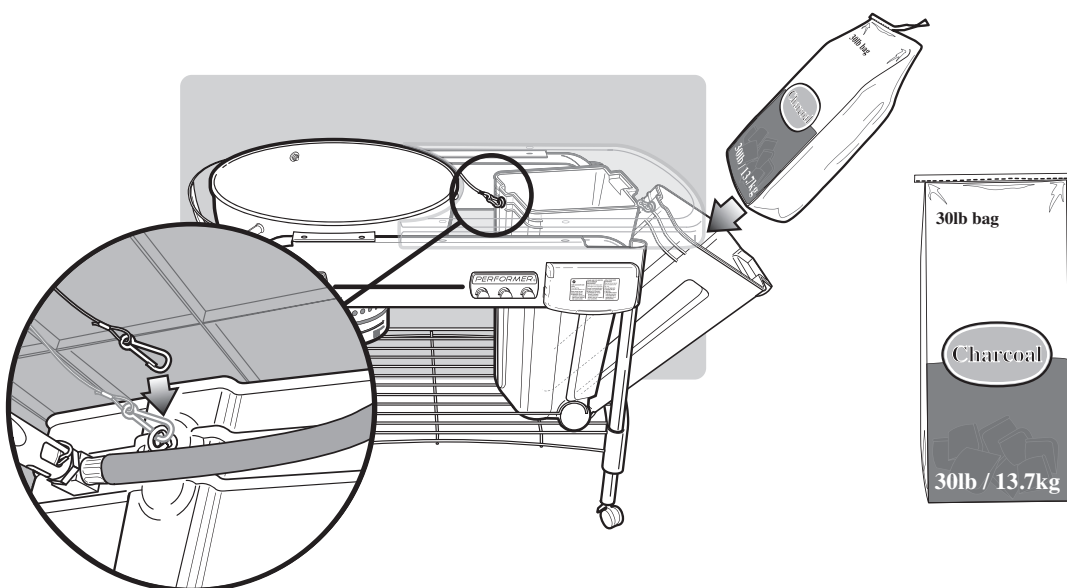


B



33 lbs. Max.
(15Kg)

15

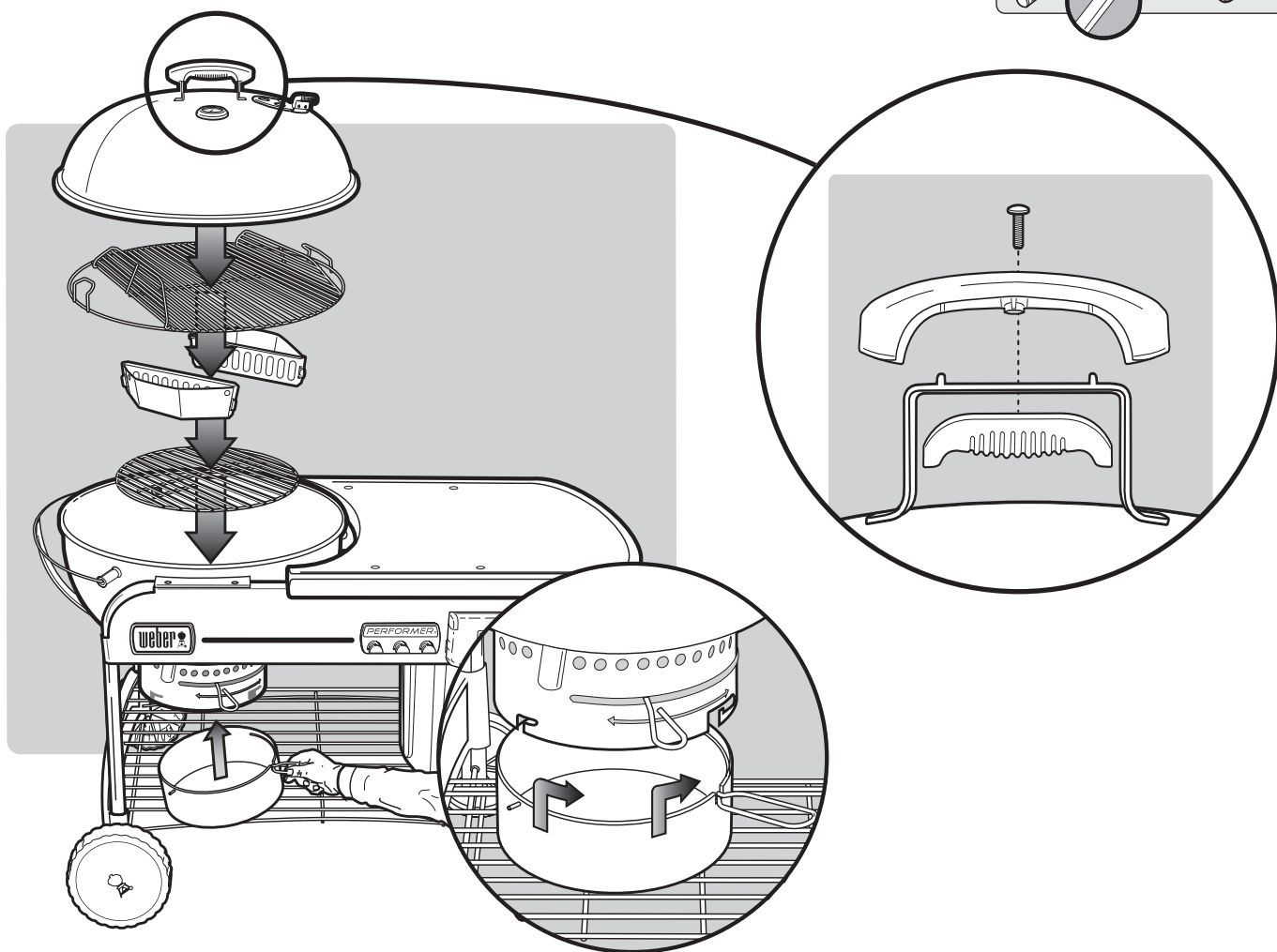


⚠ Maximum 30 lbs. / 13.7 kg. bag of charcoal. The bag of charcoal should be placed directly in the CharBin™ Storage Container.

⚠ Máximo una bolsa de 30 lbs. / 13.7 kg. de carbón vegetal. La bolsa de carbón vegetal debe colocarse directamente en el recipiente de almacenaje CharBin™.

⚠ Sac de charbon de bois 30 lbs. / 13,7 kg. maximum. Le sac de charbon de bois devrait être placé directement dans le Conteneur de stockage CharBin™.

16



GENERAL INSTRUCTIONS

- These instructions will give you the minimum requirements for assembling your Weber® gas barbecue. Please read the instructions carefully before using your Weber® gas barbecue. Improper assembly can be dangerous.
- Not for use by children.
- The installation must conform with local codes or, in the absence of local codes, with the National Fuel Gas Code, ANSI Z223.1/NFPA 54, Storage and Handling of Liquefied Petroleum Gases, ANSI/NFPA 58; or CSA B149.1, Natural Gas and Propane Installation Code.
- The pressure regulator supplied with the Weber® gas barbecue must be used. This regulator is set for 11 inches of water column (pressure).
- This Weber® gas barbecue is designed for use with liquid propane (LP) gas only. Do not use with natural (piped in city) gas. The valves, orifices, hose and regulator are for LP gas only.
- This appliance is not intended for commercial use.
- Check that the area under the control panel and the bottom tray are free from debris that might obstruct the flow of combustion or ventilation air.
- The areas around the LP cylinder must be free and clear from debris.
- Replacement pressure regulators and hose assemblies must be those specified by the outdoor cooking gas appliance manufacturer.
- Place dust caps on cylinder valve outlets when cylinder is not in use.

IMPORTANT CYLINDER INFORMATION

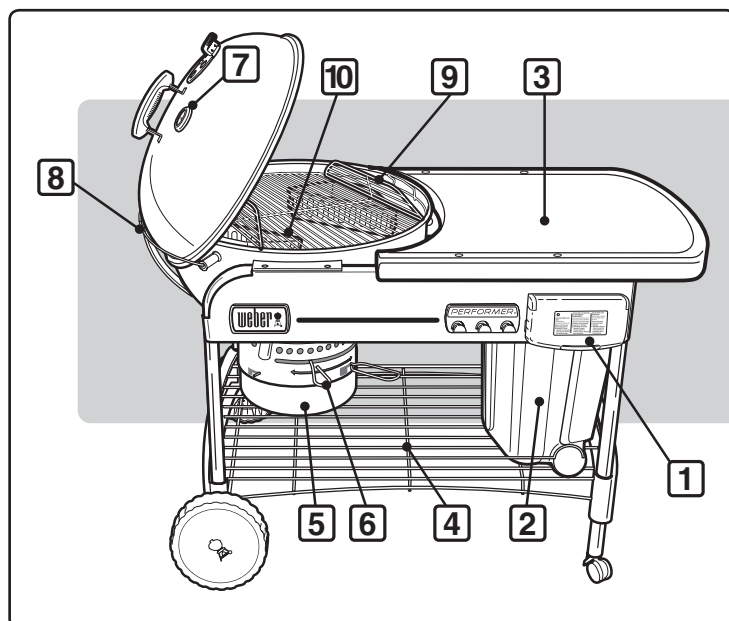
⚠ NEVER store a spare LP Cylinder under or near this barbecue.

Note: Your Weber® gas grill is equipped for a cylinder supply system designed for vapor withdrawal.

- The LP-gas supply cylinder to be used must be constructed and marked in accordance with the specifications for LP - gas cylinders of the U.S. Department of Transportation (D.O.T.) or the National Standard of Canada, CAN/CSA-B339, Cylinders, Spheres and Tubes for the Transportation of Dangerous Goods.

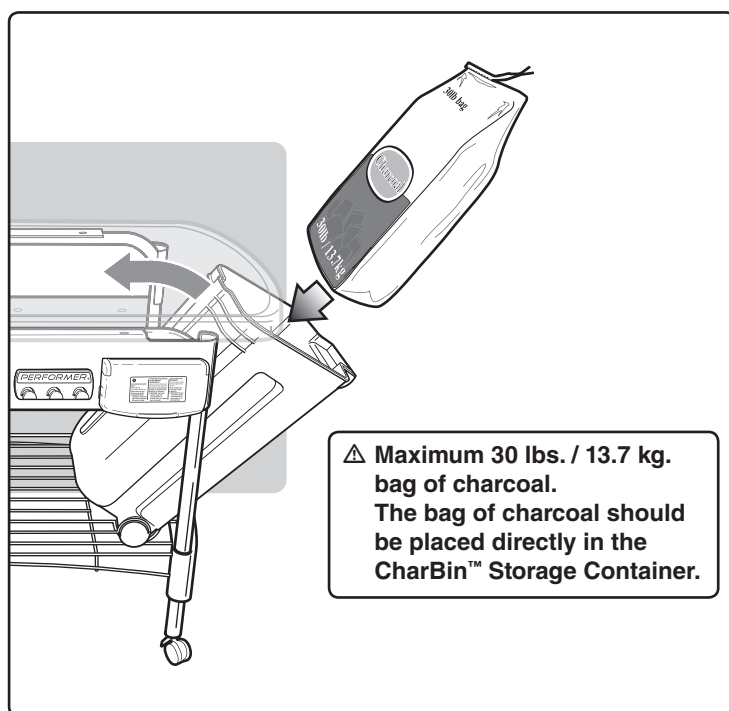
FEATURES:

- Exclusive Touch-N-Go™ Gas Ignition System takes the hassle out of lighting charcoal briquets (1). Simply push a button and the system's gas burner ignites, starting the charcoal for you. No dangerous liquid starters to use or store, and no more liquid starter aftertaste.
- CharBin™ Storage Container holds a bag of charcoal with a maximum weight of 30 lbs./13.7 kg (2). The bag of charcoal should be placed directly in the CharBin™ Storage Container.
- Thermoset work surface serves as a great work area and covers the CharBin™ Storage Container to keep briquets dry (3).
- Convenient bottom rack for storage (4).
- High-capacity ash catcher locks in place, eliminating blowing ashes (5).
- One-Touch® Cleaning System easily sweeps out ashes, or opens and closes the vents (6).
- Thermometer monitors the cooking temperature inside the grill (7).
- Tuck-Away™ Lid slides back into the stainless steel lid holder and acts as a windshield when lighting briquets (8).
- Hinged access flaps swing open on cooking grate for easy addition of briquets or wood chips during cooking (9).
- Char-Basket™ Fuel Holders allow convenient indirect and concentrated direct cooking flexibility with wood or charcoal (10).



OPERATING AREA

- ⚠ **WARNING: Only use this barbecue outdoors in a well-ventilated area. Do not use in a garage, building, breezeway or any other enclosed area.**
- ⚠ **The use of alcohol, prescription or non-prescription drugs may impair the consumer's ability to properly assemble or safely operate the appliance.**
- ⚠ **Never operate the barbecue under any overhead combustible construction.**
- ⚠ **Your Weber® Barbecue is not intended to be installed in or on recreational vehicles and/or boats.**
- ⚠ **Do not use combustible materials within 24 inches of the top, bottom, back or sides of the grill.**
- ⚠ **The entire barbecue gets hot when in use. Do not leave unattended.**
- ⚠ **Keep any electrical supply cord and the fuel supply hose away from any heated surface.**
- ⚠ **Keep the cooking area clear of flammable vapors and liquids, such as gasoline, alcohol, etc., and combustible materials.**
- ⚠ **Do not move the appliance during use. Allow the grill to cool before moving.**
- ⚠ **This appliance is not intended for and should never be used as a heater.**
- ⚠ **When cooking, the appliance must be on a level, stable surface in an area clear of combustible material.**



ATTACH PROPANE CYLINDER

Use disposable propane cylinders with a capacity of either 14.1 oz. or 16.4 oz. equipped with a CGA #600 connection.

⚠ CAUTION: Use cylinders that are marked "Propane fuel" only.

Push propane cylinder into regulator and turn clockwise until tight.

⚠ WARNING: Hand tighten only. Using excessive force could damage the regulator coupling and could cause a leak.

CHECK FOR GAS LEAKS:

⚠ DANGER

Do not use an open flame to check for gas leaks. Be sure there are no sparks or open flames in the area while you check for leaks. Sparks or flames will result in a fire or explosion which can cause serious bodily injury or death, and damage to property.

A) Regulator to propane cylinder connection.

⚠ WARNING: If there is a leak at connection (1), remove propane cylinder by turning counterclockwise. Do not operate grill. Use a different propane cylinder and recheck for leaks with soap and water solution. If a leak persists after retightening the propane cylinder, turn OFF the gas. DO NOT OPERATE THE GRILL. Contact the Customer Service Representative in your area using the contact information on our web site. Log onto www.weber.com.

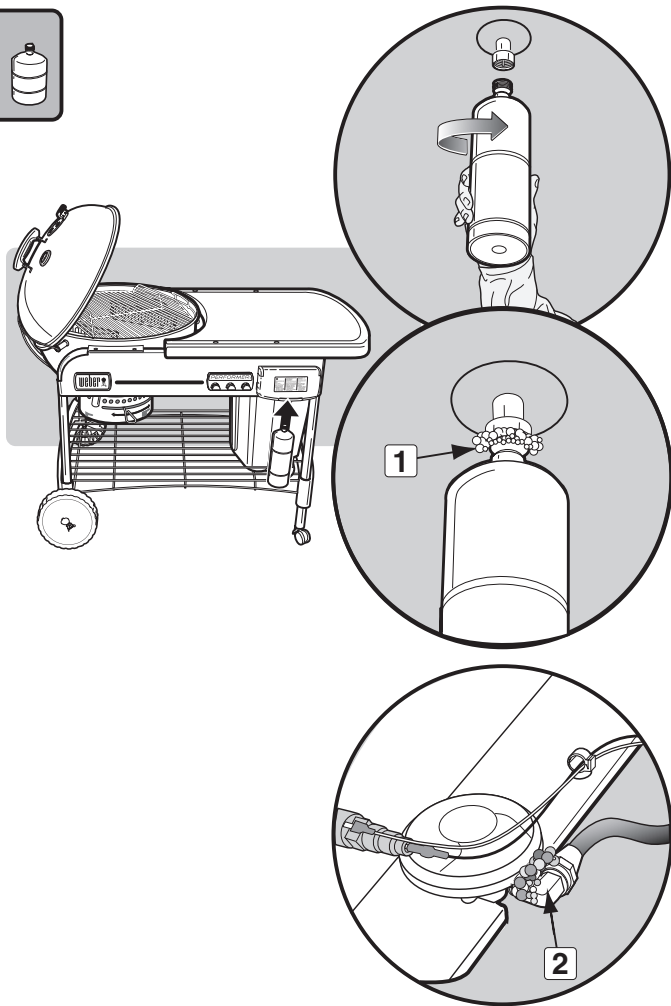
B) Regulator-to-hose connections.

⚠ WARNING: If there is a leak at connection (2) turn OFF the gas. DO NOT OPERATE THE GRILL. Contact the Customer Service Representative in your area using the contact information on our web site. Log onto www.weber.com.

When leak checks are complete, turn gas supply OFF at the source and rinse connections with water.

⚠ DANGER

Do not store a spare LP-gas cylinder under or near this appliance.



LIGHTING

⚠ DANGER

Open lid before lighting. Do not use any flammable liquids such as starting fluid, gasoline, alcohol or any form of self-lighting charcoal at any time, including when manually lighting. Failure to do so will cause serious bodily injury or death.

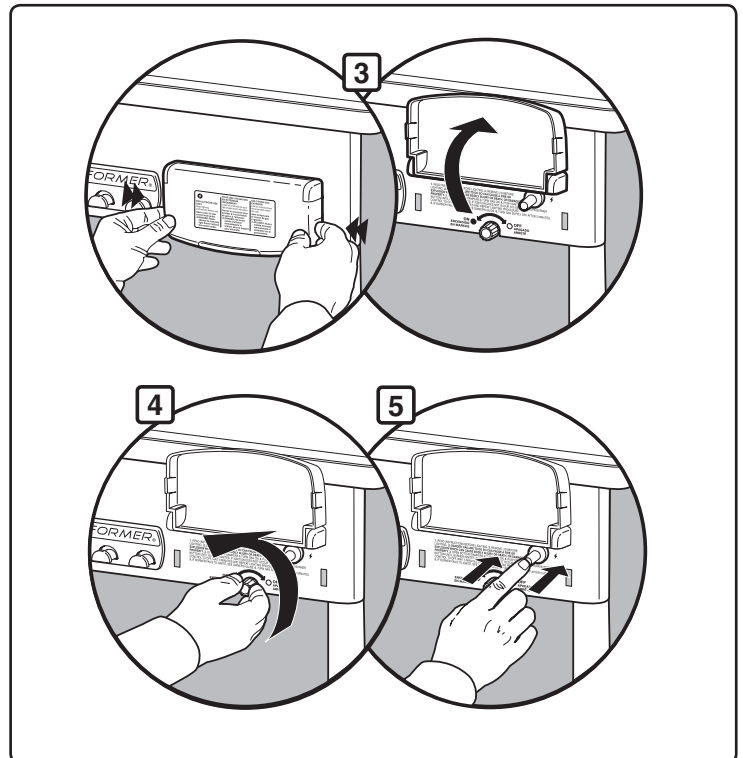
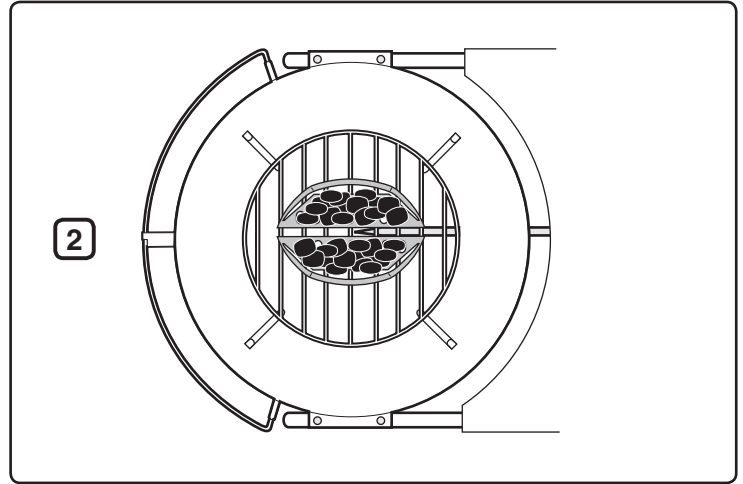
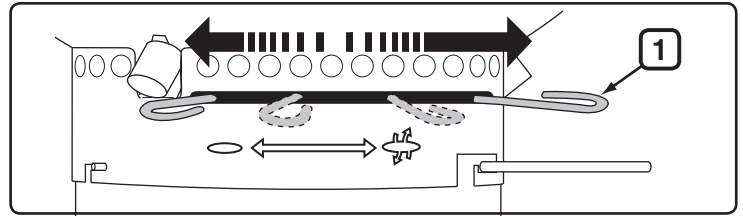
- A) Remove grill lid before operating gas feature.
- ⚠ **DANGER: Failure to do so can cause a gas build-up that can cause a fire or explosion which can cause serious bodily injury or death, or damage to property.**
- B) Open bottom bowl dampers (1).
- C) Position charcoal baskets over burner (2).
- D) Push in tabs on gas control cover (3) and lift to open.
- E) Turn gas supply on (counter-clockwise) at least one full turn (4).
- ⚠ **WARNING: Do not lean over open barbecue while lighting.**
- F) Push igniter button until burner ignites (5).
- ⚠ **CAUTION: Flame may be hard to see on a bright day.**
- G) After charcoal has ignited, (approximately 5 minutes), turn gas control OFF (clockwise) until it is closed.
- ⚠ **CAUTION: Ensure cover is closed completely.**

Note - Prolonged tank run time lessens tank life.

- H) You can begin cooking when briquets have a light coating of grey ash (approximately 25-30 minutes).

To Extinguish

Close gas supply by turning gas control clockwise until closed.



OPERATING

MANUAL LIGHTING

⚠ **WARNING:** Do not attempt to light manually without using the match holder.

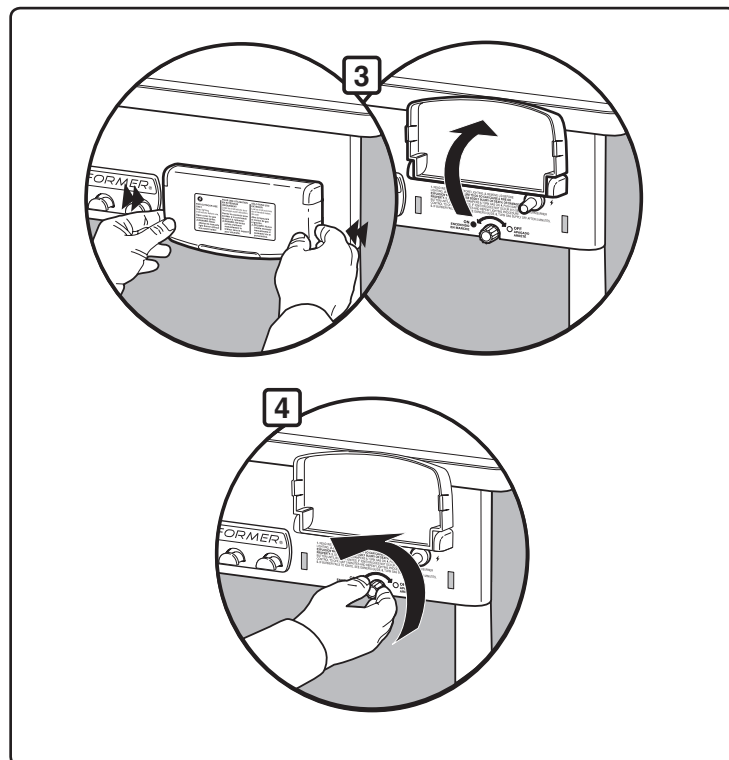
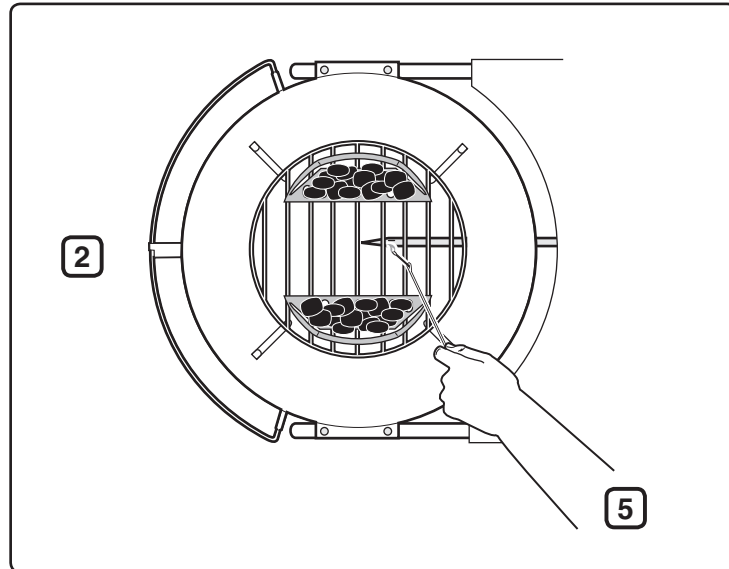
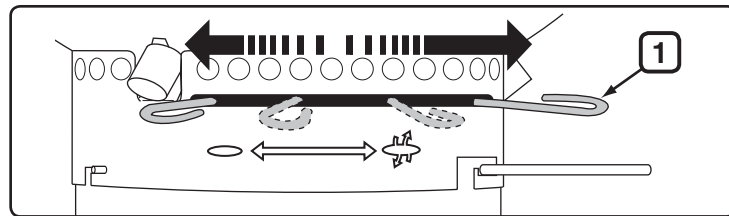
⚠ DANGER

Open lid before lighting. Do not use any flammable liquids such as starting fluid, petrol, alcohol or any form of self-lighting charcoal at any time, including when manually lighting. Failure to do so will cause serious bodily injury or death.

- A) Remove grill lid before operating gas feature.
- ⚠ **DANGER:** Failure to do so can cause a gas build-up that can cause a fire or explosion which can cause serious bodily injury or death, or damage to property.
- B) Open bottom bowl dampers (1).
- C) Move Char-Baskets away from the burner (2).
- D) Push in tabs on gas control cover (3) and lift to open.
- E) Put a match in the match holder. Light match.
- F) Turn gas supply on (counter-clockwise) at least one full turn (4).
- G) Position match flame at rear of burner slot (5).
- ⚠ **WARNING:** Do not hold hand directly above burner when manually lighting.
- ⚠ **WARNING:** Do not lean over open barbecue while lighting.
- ⚠ **CAUTION:** Flame may be hard to see on a bright day.
- H) Wear barbecue mitts and use tongs to reposition Char-Baskets over burner.
- I) After charcoal has ignited, (approximately 5 minutes), turn gas control OFF (clockwise) until it is closed.
- J) You can begin cooking when briquets have a light coating of grey ash (approximately 25-30 minutes).

TO EXTINGUISH

Close gas supply by turning gas control clockwise until closed.



TROUBLESHOOTING

CHECK	PROBLEM	CURE
Burner burns with a yellow or orange flame, in conjunction with the smell of gas.	Inspect Burner for possible obstructions.	Clean Burner. (See Section "Maintenance")
Burner does not light, or flame is low.	Is LP fuel low or empty?	Replace LP cylinder.
	Is fuel hose bent or kinked?	Straighten fuel hose.
	Does the burner light with a match?	If you can light the burner with a match, then check the ignition system.
	Is the hose to burner tube connection properly secured?	Connect the gas hose to the burner tube using the metal retaining clip provided. ⚠ DANGER: Do not use the gas ignition feature if the retaining clip is missing. A missing retaining clip can cause serious bodily injury or death, and damage to property. Contact Customer Service for a replacement retainer clip.
Burner flame pattern is erratic.	Is burner clean?	Clean burner. (See Section "Maintenance")
Inside of lid appears to be "peeling." (Resembles paint peeling.)	What you are seeing is baked on grease that has turned to carbon and is flaking off. THIS IS NOT A DEFECT.	Clean thoroughly. (See Section "Cleaning")

If problems cannot be corrected by using these methods, please contact the Customer Service Representative in your area using the contact information on our web site. Log onto www.weber.com®.

MAINTENANCE

After a period of nonuse we recommend that you perform the following maintenance procedures for your safety.

- Check hose before each use of barbecue for nicks, cracking, abrasions or cuts. If the hose is found to be unserviceable, do not use the barbecue. Replace using only Weber® authorized replacement parts. **Contact the Customer Service Representative in your area using the contact information on our web site. Log onto www.weber.com®.**

⚠ CAUTION: If the barbecue gas hose is damaged in any way or leaking, do not use the barbecue.

- Inspect the burner for the correct flame pattern(see section Burner Flame Patter). Clean, if necessary, according to the procedures outlined in this section.
- Check all gas fittings for leaks. See section "Check For Gas Leaks".

PERIODIC CLEANING

To remove ashes from the bowl, move control rod (1) side to side so damper blades sweep ashes through the bowl vents and into the ash catcher.

⚠ CAUTION: Be sure that burner is OFF and barbecue is cool before cleaning.

Do not enlarge burner slots when cleaning.

To clean burner:

- Brush the outside of the burner tube (2) and the burner slot (3) section with a wire brush.

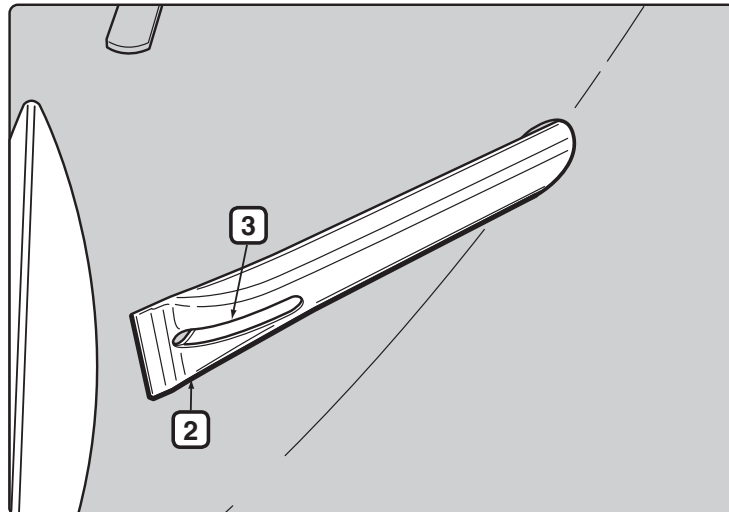
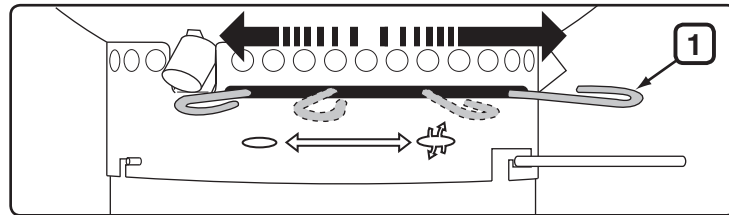
⚠ CAUTION: Do not enlarge the burner slots or the gas orifice when cleaning.

To clean kettle:

- While lid is warm, wipe the inside with a paper towel to prevent grease buildup.
- For outer surfaces use a warm soapy water solution and rinse well with clear water.

For a more thorough cleaning (to be done at least once a year):

- Remove ashes after coals are fully extinguished.
- Remove the grates and Char-Baskets™.
- Wipe out with paper towels. Wash with a mild detergent and water. Rinse well with clear water and wipe dry.



STORAGE

- When the Performer Grill is stored indoors, the gas supply must be disconnected and the LP tank stored outdoors in a well-ventilated space.
- LP tanks must be stored outdoors in a well-ventilated area out of the reach of children and must not be stored in a building, garage or any other enclosed area.
- After a period of storage and/or nonuse, the barbecue should be checked for gas leaks and any obstructions in the burner tube before using (see section "Maintenance").
- Check that the areas around the tank, hose and burner assembly are free from debris that might obstruct the flow of gas or air before use.

INSECT ALERT

Your Performer Grill, as well as any outdoor gas appliance, is a target for spiders and insects. They can nest in the venturi section (1) of the burner tube causing gas to flow back out of the air shutter.

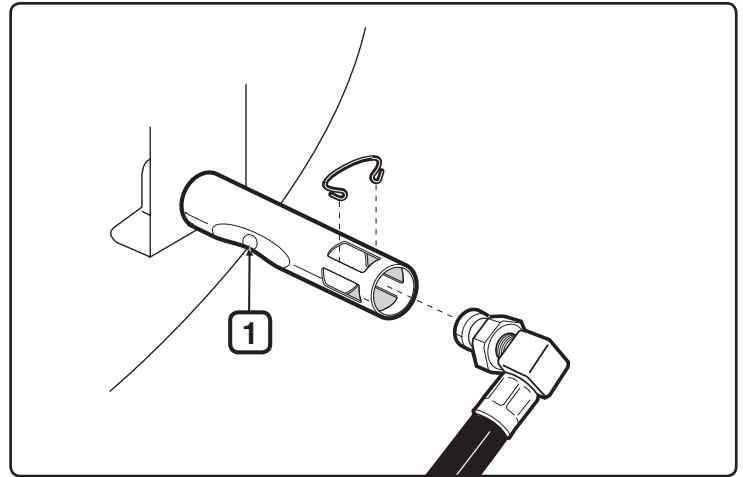
This could result in a fire in and around the burner tube under the bowl panel. It can cause serious damage to your barbecue, rendering it unsafe to operate.

We strongly recommend that you inspect and clean the burner tube at least once a year, or if any of the following symptoms occur:

- A) The smell of gas in conjunction with the burner flames appearing very yellow and lazy.
- B) Burner makes popping noises.

⚠ DANGER

Failure to correct these symptoms may result in a fire which can cause serious bodily injury or death and cause damage to property.

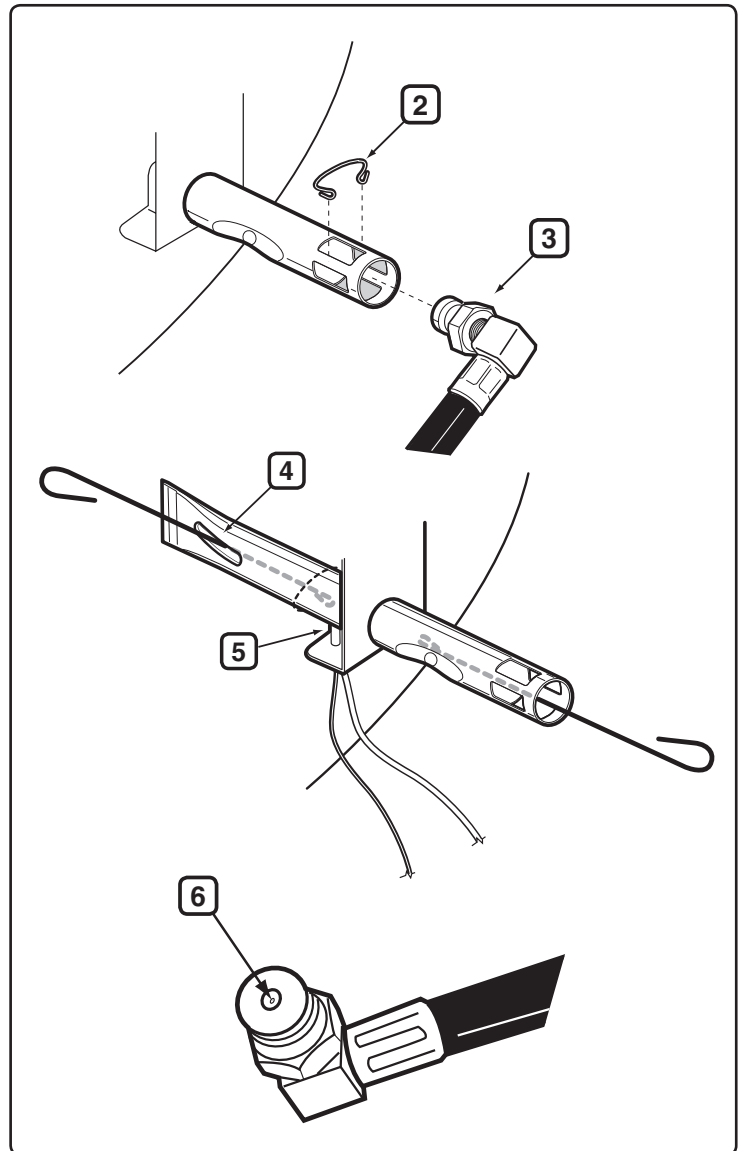


INSPECTING AND CLEANING THE BURNER

- A) Turn gas to OFF.
- B) Remove the CharBin™ Storage Container.
- C) Remove orifice clip (2) and hose fitting (3) from the burner tube.
- D) Look inside the burner with a flashlight.
- E) Clean the inside of the burner with the wire matchlight holder (provided). Use the wire to clean the air shutter area, the venturi section, and the burner slots (4) on the inside of the bowl. Be careful when inserting the burner cleaning tool not to damage the igniter electrode (5).
- F) Recheck with flashlight to see that there are no obstructions.
- G) If necessary, surface of hose fitting can be cleaned with a brass wire brush. The orifice (6) can be cleaned with a small pin.

⚠ CAUTION: Do not enlarge the orifice when cleaning.

- H) Reassemble by reversing steps B and C.

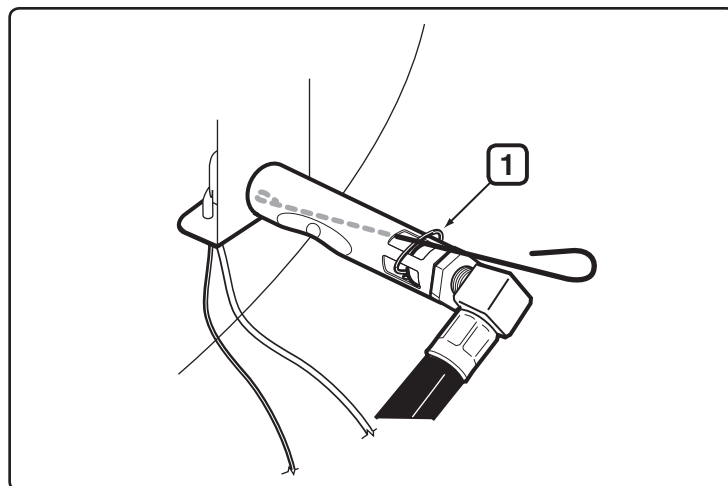


PERIODIC QUICK CLEANING

We recommend that you periodically brush the outside of the burner slots with a wire brush and clean the burner tube through the combustion air vent with the tool we have provided.

This can be done by locating the burner combustion air vent (1) underneath the bowl bracket and inserting the tool through each combustion air vent, rotating the tool. Be careful when inserting the burner cleaning tool not to damage the igniter electrode.

⚠ CAUTION: It is important to increase the frequency of this cleaning procedure during the spring and summer months.

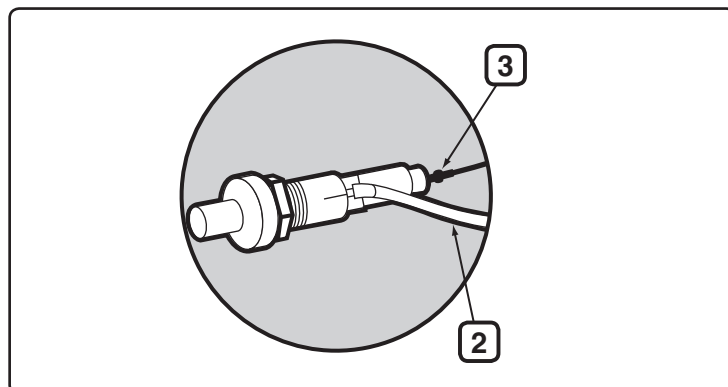


IGNITION SYSTEM

If the Ignition System fails to ignite the burner, light manually. If annual ignition is successful, then check the Ignition System.

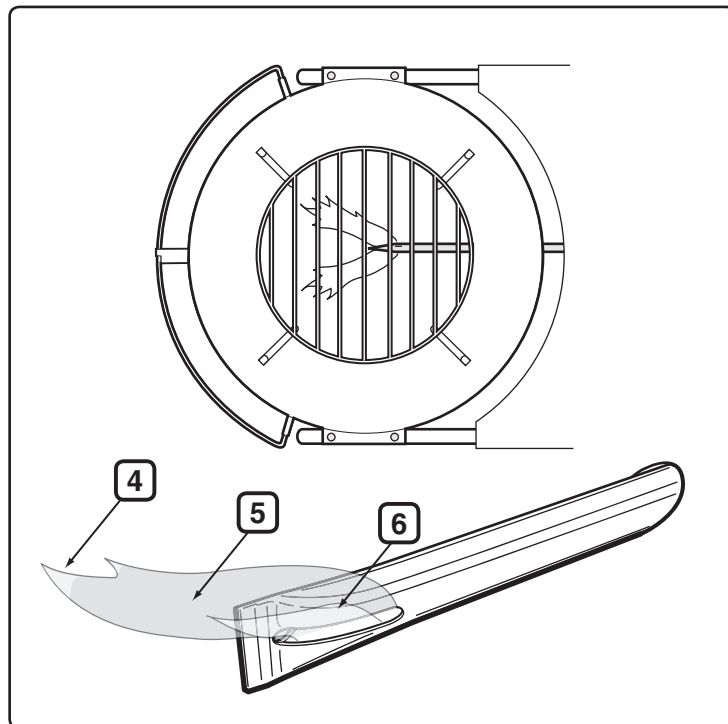
- Check that both the white (2) and black (3) ignition wires are attached properly.
- Check that the igniter button pushes in completely and returns.
- Check to see if the igniter is loose in the frame. Tighten if necessary; see step "Install Igniter" for the correct procedure.

If the Ignition System still fails to ignite the burner, use the Manual Lighting procedure and contact your dealer.



BURNER FLAME PATTERN

The burner has been factory set for the correct air and gas mixture. The correct flame pattern should have yellowish tips (4) dark blue in the middle (5), and light blue at the burner tube (6). If the flames do not appear as shown, or if "popping" noises occur, follow the burner cleaning procedures.



PERFORMER®



Guía del Propietario de la Barbacoa de Carbón Vegetal

Ensamblaje - Pg 7

#56201



**DEBE LEER ESTA GUÍA DEL PROPIETARIO
ANTES DE PONER A FUNCIONAR
SUBARBACOA DE GAS**

⚠ PELIGRO

Si huele gas:

1. Cierre el suministro de gas al artefacto.
2. Apague cualquier llama encendida.
3. Abra la tapa.
4. Si el olor continuase, aléjese del artefacto e inmediatamente llame a su suplidor de gas o al cuerpo de bomberos.

Una fuga de gas puede provocar un incendio o explosión que pueden resultar en lesiones corporales serias o la muerte, o daños a la propiedad.

⚠ ADVERTENCIA

1. No almacene un cilindro de propano licuado de reserva a menos de 10 pies (3 m) de este artefacto.
2. No almacene ni utilice gasolina u otros líquidos o gases inflamables a menos de 25 pies (8 m) de este artefacto.

⚠ **ADVERTENCIA:** Antes de poner en funcionamiento a la barbacoa, siga cuidadosamente todos los procedimientos en este manual para verificar que no existan fugas. Haga esto aun y cuando la barbacoa haya sido ensamblada por el distribuidor.

AVISO AL INSTALADOR: Estas instrucciones deben permanecer con el propietario, quien las deberá guardar para un futuro uso.

ESTE ARTEFACTO A GAS ESTÁ DISEÑADO PARA USARSE SOLAMENTE AL AIRE LIBRE.

⚠ **ADVERTENCIA:** No trate de encender este artefacto sin antes leer la sección “Instrucciones para encender el asador” de este manual.

⚠ **El no acatar estas instrucciones podría resultar en un fuego o explosión, que podrían causar daños a la propiedad, lesiones personales o la muerte.**

PELIGROS Y ADVERTENCIAS

EL NO ACATAR ESTAS INDICACIONES DE PELIGRO, ADVERTENCIA Y PRECAUCIÓN PODRÍA CAUSAR SERIAS LESIONES CORPORALES O LA MUERTE, O FUEGO O EXPLOSIÓN RESULTANDO EN DAÑOS A LA PROPIEDAD.

- △ **SÍMBOLOS DE SEGURIDAD (△) lo alertarán respecto a importante información de SEGURIDAD.**
- △ **Las palabras de alerta PELIGRO, ADVERTENCIA o PRECAUCIÓN serán utilizadas con el SÍMBOLO DE SEGURIDAD.**
- △ **PELIGRO identificará a los riesgos más graves.**
- △ **Sírvase leer toda la información de seguridad contenida en este Manual del Propietario antes de poner en funcionamiento esta barbacoa.**

△ PELIGROS

- △ **El hacer caso omiso a los avisos de Peligros, Advertencias y Precauciones contenidos en este Manual del Propietario podría resultar en lesiones corporales serias o la muerte, o en un fuego o explosión que cause daños a la propiedad.**
- △ **¡No la utilice dentro de la casa! Esta barbacoa debe usarse solamente al aire libre. Si se utiliza dentro de la casa, se acumularán humos que causarán lesiones corporales graves o la muerte.**
- △ **Use esta barbacoa sólo al aire libre en una zona bien ventilada. No la use en un garaje, edificio, pasadizo techado o en cualquier otra área cerrada.**
- △ **No use esta barbacoa debajo de ningún techo o voladizo combustible.**
- △ **El ensamblaje incorrecto puede ser peligroso. Por favor siga las instrucciones de ensamblaje en este manual. No use esta barbacoa a menos que todas sus partes estén debidamente instaladas en su sitio. Antes de encender la barbacoa, asegúrese de que el recolector de cenizas esté correctamente fijado a las patas debajo del tazón de la barbacoa o que, en su defecto, el recolector de cenizas de alta capacidad esté en su sitio.**
- △ **No agregue líquido encendedor de carbón vegetal o carbón vegetal impregnado con el mismo a carbón vegetal caliente o tibio. Después de usarlo, tape la botella del líquido encendedor y colóquela a una distancia segura de la barbacoa.**
- △ **En ningún momento utilice gasolina, líquido iniciador de fuego, alcohol u otro fluido altamente volátil sobre el carbón. Nunca utilice forma alguna de carbón autoencendible.**
- △ **Usted debe proceder con razonable cuidado cuando opere su barbacoa. Estará caliente mientras se esté cocinando y nunca deberá dejarse desatendida mientras esté en uso.**
- △ **No deje a bebés, niños o mascotas desatendidos cerca de una barbacoa caliente.**
- △ **No trate de mover una barbacoa caliente.**
- △ **No utilice esta barbacoa a una distancia menor de cinco pies (1,50 m) de cualquier material combustible. Ejemplos de materiales combustibles, sin ser una lista exhaustiva, son las terrazas, patios o porches de madera o de madera tratada.**
- △ **Nunca debe haber materiales combustibles a una distancia menor de 24 pulgadas (60 cm) de la parte superior, el fondo, la parte posterior o los lados de la barbacoa.**
- △ **Mantenga el área de cocinar libre de vapores y líquidos inflamables tales como gasolina, alcohol, etc. y de materiales combustibles.**
- △ **No retire las cenizas hasta tanto el carbón vegetal se haya quemado del todo y esté completamente apagado y la barbacoa esté fría.**
- △ **Siempre coloque el carbón en las canastas Char-Baskets™ o sobre la rejilla inferior (para el carbón). No coloque el carbón directamente en el fondo del tazón.**
- △ **No use vestimenta con mangas largas sueltas mientras encienda o utilice la barbacoa.**
- △ **Nunca se incline sobre la barbacoa cuando esté encendiendo el quemador de gas.**
- △ **No utilice la barbacoa cuando haga vientos fuertes.**
- △ **No opere la barbacoa si existe una fuga de gas.**
- △ **No utilice una llama abierta para comprobar la existencia de fugas de gas.**
- △ **Si en cualquier momento durante la operación se apagase el quemador, cierre la válvula del tanque. Retire la tapa y espere cinco minutos antes de tratar de volver a encender la barbacoa, usando las instrucciones de encendido en este manual.**
- △ **Mientras la barbacoa esté en uso, no trate de desconectar ni el regulador de gas del tanque ni cualquier otra conexión.**
- △ **Use exclusivamente el regulador de gas de propano licuado suministrado con su barbacoa.**

△ ADVERTENCIAS

- △ **No almacene un tanque de propano licuado desconectado o de reserva debajo o cerca de esta barbacoa.**
- △ **Mantenga la barbacoa en todo momento sobre una superficie segura y a nivel, y alejada de materiales combustibles.**
- △ **No coloque una cubierta de barbacoa ni nada inflamable sobre o dentro del área de almacenaje debajo de la barbacoa.**
- △ **Siempre retire la tapa antes de encender el quemador de gas, bien sea manualmente o con el encendedor. La tapa debe permanecer RETIRADA mientras el carbón no esté totalmente encendido.**
- △ **Nunca toque las rejillas de cocción o del carbón vegetal, las cenizas, el carbón vegetal o la barbacoa para ver si están calientes.**
- △ **No use rocas de lava o piedra pómez en esta barbacoa.**
- △ **No utilice agua para controlar las llamaradas o apagar el carbón vegetal, puesto que podría dañar el acabado de porcelana. Cierre ligeramente los respiraderos (reguladores de aire) y coloque la tapa sobre el tazón.**
- △ **Apague los carbones al terminar de cocinar. Cierre todos los los respiraderos (reguladores de aire) después de colocar la tapa sobre el tazón.**
- △ **Deben llevarse puestos guantes para barbacoas mientras se esté cocinando, ajustando los respiraderos (reguladores de aire), agregando carbón y manipulando el termómetro o la tapa.**

PELIGROS Y ADVERTENCIAS (CONT.)

⚠ ADVERTENCIAS (cont.)

- ⚠ Utilice los utensilios correctos para preparar barbacoas, con mangos largos y resistentes al calor.
- ⚠ Algunos modelos podrían incluir la opción Tuck-Away™ para sostener la tapa. El sostenedor de tapas Tuck-Away™ es utilizado para almacenar la tapa mientras se revisa o se le da la vuelta a la comida. No utilice el sostenedor de tapas Tuck-Away™ como un asa para levantar o mover la barbacoa. No coloque una tapa caliente sobre alfombras o césped. No cuelgue la tapa sobre el asa del tazón.
- ⚠ Nunca bote carbones calientes donde pudieran pisarse o representar un riesgo de fuego. Nunca bote cenizas o carbones antes de que estén totalmente apagados. No almacene la barbacoa hasta que las cenizas y los carbones estén totalmente extinguidos.
- ⚠ Manipule y almacene con cuidado los encendedores eléctricos.
- ⚠ Mantenga los cables y cordones eléctricos alejados de las superficies calientes de la barbacoa y alejados de zonas de alto tráfico.
- ⚠ Tras un período de almacenaje y/o de estar sin uso, antes de usarla verifique de que no existan fugas de gas o obstrucciones en el quemador. Vea en este manual las instrucciones para los procedimientos correctos.
- ⚠ Convertir esta barbacoa a gas natural, o tratar de usar el mismo, es peligroso y anulará su garantía.
- ⚠ Un tanque de propano licuado abollado u oxidado pudiera ser peligroso y deberá ser revisado por su proveedor de propano licuado. No utilice un tanque de propano licuado con una válvula dañada.
- ⚠ Aunque su tanque de propano licuado pudiera aparentar estar vacío, éste podría todavía contener gas. En consecuencia, el tanque debe transportarse y almacenarse con los previsiones del caso.
- ⚠ Los subproductos de combustión producidos al usar este producto contienen sustancias químicas que son conocidas por el Estado de la California como causantes de cáncer, defectos de nacimiento u otros daños reproductivos.
- ⚠ **ADVERTENCIA DE LA PROPUESTA 65:** El manipular los materiales de latón en este producto lo exponen al plomo, una sustancia química conocida por el estado de California como causante de cáncer, de defectos de nacimiento o de otros daños reproductivos. *Lávese las manos después de manipular este producto.*
- ⚠ Si usted ve, huele o escucha gas que se está escapando del tanque de propano licuado:
 1. Aléjese del tanque de propano licuado.
 2. No trate de corregir el problema usted mismo.
 3. Llame al cuerpo de bomberos local.

⚠ PRECAUCIONES:

- ⚠ El recubrir el tazón con papel de aluminio obstruirá el flujo de aire. En vez, utilice una bandeja de goteo para recolectar los pringues de la carne al cocinar con el método indirecto.
- ⚠ El usar objetos afilados para limpiar la rejilla de cocción o retirar las cenizas dañará el acabado.
- ⚠ El utilizar limpiadores abrasivos sobre las rejillas de cocción o la barbacoa en sí dañará el acabado.
- ⚠ La barbacoa deberá limpiarse a fondo con frecuencia.

GARANTÍA

Por la presente, Weber-Stephen Products Co. (Weber) le garantiza al COMPRADOR ORIGINAL de esta barbacoa de gas Weber® que la misma estará libre defectos en cuanto a materiales y fabricación a partir de la fecha de compra según lo siguiente:

Rejillas de cocción / de carbón vegetal	2 años
Sistema de limpieza de acero inoxidable One-Touch®	10 años
Contra la herrumbre y la quemadura que atraviese la lámina del tazón o la tapa	10 años
Asas de nilón	10 años
Partes termoplásticas/termofijas (Performer®)	10 años
	excluyendo la decoloración
Todas las demás partes	2 años

cuando se ensambla y opera de acuerdo a las instrucciones impresas que la acompañan. Weber pudiese requerir prueba razonable de la fecha de compra. POR LO TANTO, DEBERÁ GUARDAR SU RECIBO O FACTURA DE VENTA.

Esta garantía limitada está limitada a la reparación o reemplazo de piezas que resultasen defectuosas bajo uso y servicio normal y las cuales al examinarse indiquen, a plena satisfacción de Weber, que efectivamente son piezas defectuosas. Antes de devolver cualquier parte, contacte al Representante de Atención al Cliente en su área, cuya información de contacto la encontrará en nuestro sitio web. Si Weber confirma el defecto y aprueba el reclamo, ésta elegirá reparar o reemplazar tal pieza sin cargo alguno. Si usted tiene que retornarnos las partes defectuosas, los gastos de transporte deben ser prepagados. Weber retornará las partes al comprador con transporte o franqueo prepagado.

Esta Garantía Limitada no cubre ninguna falla o problema de operación a causa de accidentes, abuso, mal uso, alteración, uso en aplicaciones indebidas, vandalismo, instalación inapropiada o mantenimiento o servicio inapropiados, o por no llevar a cabo el mantenimiento normal y rutinario, entre los que se incluyen, pero sin limitación, los daños causados por insectos dentro de los tubos quemadores, según se detalla en este manual del propietario.

Esta Garantía Limitada no cubre el deterioro o daños a causa de condiciones de tiempo inclemente tales como granizo, huracanes, terremotos o tornados ni tampoco la decoloración por exposición a sustancias químicas bien sea por contacto directo o por que las mismas contenidas en la atmósfera.

No existe ninguna otra garantía expresa que no sean las las acá indicadas y cualesquier garantías implícitas de comerciabilidad y aptitud de uso están limitadas en duración al tiempo de cobertura de esta expresa Garantía Limitada por escrito. Algunas regiones no permiten limitación alguna en el tiempo que una garantía implícita pueda durar, por lo que esta limitación pudiera no aplicarle a usted. Weber no se hace responsable de cualesquier daños especiales, indirectos o emergentes. Algunas regiones no permiten la exclusión o limitación de daños incidentales o emergentes, por lo que esta limitación o exclusión pudieran no aplicarle a usted.

Weber no autoriza a persona o empresa alguna a asumir en su nombre ninguna obligación o responsabilidad en relación con la venta, instalación, uso, retiro, devolución o reemplazo de sus equipos, y ninguna tal representación será vinculante para Weber.

Esta Garantía aplica solo a aquellos productos vendidos al por menor.

WEBER-STEPHEN PRODUCTS CO.
Customer Service Center
1890 Roselle Road, Suite 308
Schaumburg, IL 60195
EE.UU.

Para piezas de repuesto llame a:
1-800-446-1071

Visite www.weber.com®, elija su país de origen y registre su barbacoa.

INSTRUCCIONES GENERALES

- Estas instrucciones le indicarán los requisitos mínimos para ensamblar su barbacoa de gas Weber®. Por favor lea cuidadosamente las instrucciones antes de utilizar su barbacoa de gas Weber®. Un ensamblaje incorrecto puede ser peligroso.
- No debe ser usado por niños.
- La instalación debe estar acorde con los códigos locales o, en la ausencia de estos, con el Código Nacional de Gas Combustible, ANSI Z223.1/NFPA 54, "Almacenamiento y manipulación de gases licuados del petróleo"; ANSI/NFPA 58; o CSA B149.1, "Código de instalación para el gas natural y el propano".
- Debe usarse el regulador de presión suministrado con la barbacoa de gas Weber®. Este regulador está ajustado para una presión de 11 pulgadas de columna de agua.
- Esta barbacoa de gas Weber® está diseñada para ser usada exclusivamente con gas propano licuado (LP). No lo use con gas natural (suministrado a través de tuberías en las ciudades). Las válvulas, los orificios, la manguera y el regulador son solamente para gas propano licuado.
- Este artefacto no está diseñado para uso comercial.
- Asegúrese de que el área debajo del panel de control y la bandeja inferior no tenga desechos que pudiesen obstruir el flujo de aire de combustión o de ventilación.

- Las áreas alrededor del cilindro de gas de propano licuado deben estar libres y sin acumulación de desperdicios.
- Los reguladores de presión y ensamblajes de mangueras de reemplazo deberán ser aquellos especificados por el fabricante del artefacto de gas para cocinar al aire libre.
- Coloque las tapas guardapolvo sobre las salidas de las válvulas del cilindro cuando no se esté utilizando este último.

INFORMACIÓN IMPORTANTE SOBRE EL CILINDRO

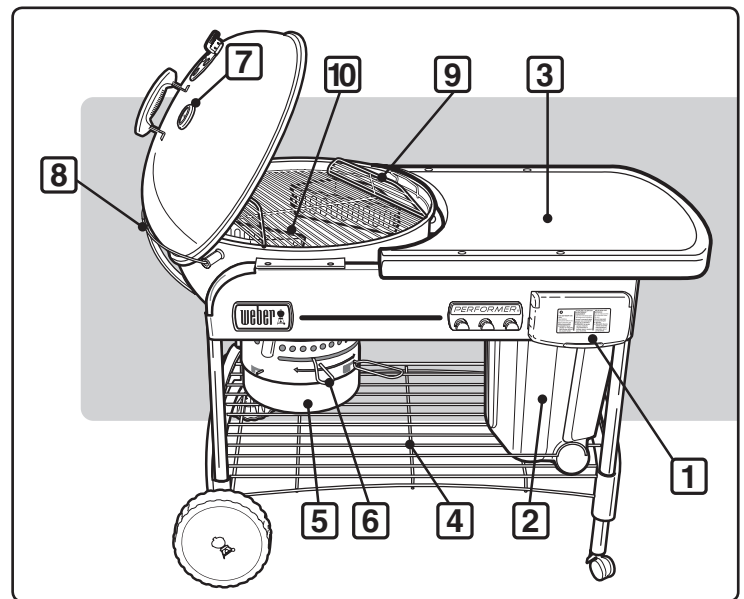
⚠ NUNCA almacene un cilindro de gas propano licuado de reserva debajo o cerca de esta barbacoa.

Nota: Su barbacoa de gas Weber® está equipada con un sistema de suministro desde cilindros diseñado para el retiro del vapor.

- El cilindro de suministro del gas de propano licuado a usarse debe estar construido y marcado de acuerdo con las especificaciones para cilindros de gas de propano licuado del Departamento del Transporte (D.O.T.) de los EE.UU. o la Norma Nacional del Canadá, CAN/CSA-B339, "Cilindros, esferas y tubos para el transporte de productos peligrosos".

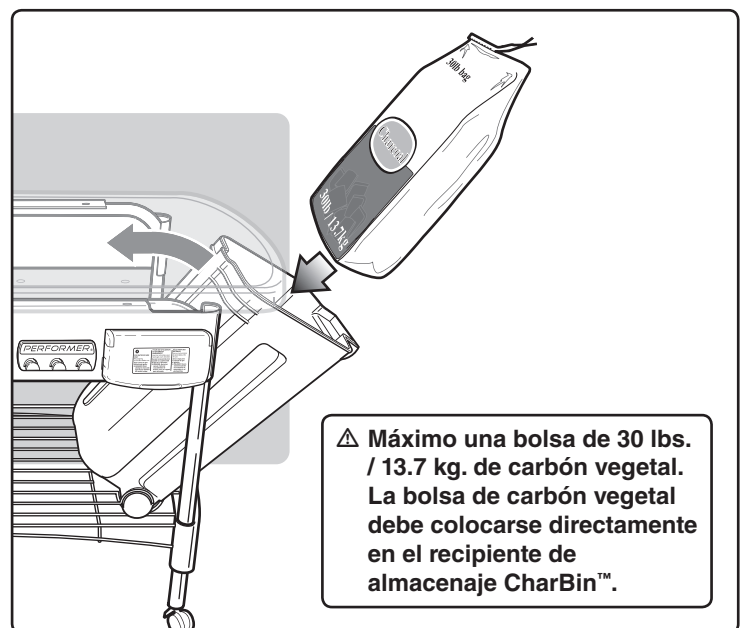
CARACTERÍSTICAS:

- A) Exclusivo sistema de encendido de gas Touch-N-Go™ que elimina el lío de encender briquetas de carbón (1). Simplemente pulse un botón y el quemador de gas del sistema se enciende, prendiéndole el carbón por usted. Ya no hay más necesidad de utilizar o almacenar líquidos encendedores ni más dejo de sabor a estos en la comida.
- B) Al recipiente de almacenaje CharBin™ le cabe una bolsa de carbón vegetal con un peso máximo de 30 lbs./13.7 kg (2). La bolsa de carbón vegetal debe colocarse directamente en el recipiente de almacenaje CharBin™.
- C) La superficie de trabajo termofija funciona como una excelente área de trabajo y cubre el recipiente de almacenaje CharBin™ para mantener secas a las briquetas (3).
- D) Una conveniente gradilla en el fondo para almacenaje (4).
- E) Receptor de cenizas de alta capacidad encaja en su sitio, eliminando las cenizas en el aire (5).
- F) El sistema de limpieza One-Touch® fácilmente barre para afuera las cenizas o abre y cierra los respiraderos (6).
- G) El termómetro monitorea la temperatura de cocción dentro de la barbacoa (7).
- H) La tapa Tuck-Away™ se desliza hacia atrás dentro de un portatapas de acero inoxidable y actúa como un parabrisas para cuando se van a encender las briquetas (8).
- I) La rejilla de cocción cuenta con hojas articuladas que se abren para facilitar la adición de briquetas o astillas de madera mientras se esté cocinando (9).
- J) Los contenedores de combustible Char-Basket™ brindan la flexibilidad de cocinar mediante el conveniente método indirecto y el método concentrado directo tanto con madera como con carbón (10).



ÁREA OPERATIVA

- ⚠ **ADVERTENCIA: Use esta barbacoa sólo al aire libre en un área bien ventilada. No la use en un garaje, edificio, pasadizo techado o en cualquier otra área cerrada.**
- ⚠ **El uso de alcohol, drogas o fármacos, recetados o no, puede afectar la capacidad del comprador para ensamblar correctamente este aparato u operarlo de manera segura.**
- ⚠ **Nunca opere la barbacoa debajo de cualquier construcción de techo combustible.**
- ⚠ **Su barbacoa Weber® no ha sido diseñada para instalarse en o sobre vehículos y/o botes recreacionales.**
- ⚠ **No utilice la barbacoa con la parte superior, inferior, posterior, o lateral de la parrilla a menos de 24 pulgadas de distancia de materiales combustibles.**
- ⚠ **Al usarse, toda la barbacoa se calienta. No la deje desatendida.**
- ⚠ **Mantenga alejados de cualquier superficie calentada a todo cordón eléctrico y a la manguera de suministro de gas.**
- ⚠ **Mantenga el área de cocinar libre de vapores y líquidos inflamables tales como gasolina, alcohol, etc. y de materiales combustibles.**
- ⚠ **No mueva el artefacto mientras esté en uso. Permita que la barbacoa se enfríe antes de moverla.**
- ⚠ **Este artefacto no está diseñado para usarse ni jamás deberá usarse como calentador.**



⚠ Máximo una bolsa de 30 lbs. / 13.7 kg. de carbón vegetal. La bolsa de carbón vegetal debe colocarse directamente en el recipiente de almacenaje CharBin™.

- ⚠ **Cuando se esté cocinando, el aparato deberá estar sobre una superficie nivelada y estable en un área libre de materiales combustibles.**

CONECTE EL CILINDRO DE PROPANO

Use cilindros desechables de propano con una capacidad de 14.1 onzas o 16.4 onzas equipados con una conexión CGA #600.

⚠ PRECAUCIÓN: Use solamente cilindros que estén marcados con las siglas "Propane fuel" (combustible propano).

Empuje el cilindro de propano dentro del regulador y gírelo en la dirección de las manecillas del reloj hasta que quede apretado.

⚠ ADVERTENCIA: Sólo apriete a mano. Si se usa una fuerza excesiva podría dañarse el cople del regulador y causar una fuga.

COMPRUEBE QUE NO HAYA FUGAS DE GAS

⚠ PELIGRO

No utilice una llama abierta para comprobar si existen fugas de gas. Asegúrese de que no haya chispas o llamas abiertas en el área mientras comprueba si existen fugas. Chispas o llamas causarían un fuego o explosión, las cuales pueden causar serias lesiones corporales o la muerte, y daños a la propiedad.

A) Conexión del regulador al cilindro de propano.

⚠ ADVERTENCIA: Si hay una fuga en la conexión (1), retire el cilindro de propano girándolo en dirección contraria a las agujas del reloj. No opere la barbacoa. Utilice un cilindro de propano diferente y vuelva a verificar que no haya fugas usando una solución de agua y jabón. Si una fuga persiste aún después de volver a apretar la conexión al cilindro de propano, CIERRE el gas. NO HAGA FUNCIONAR LA BARBACOA. Contacte al Representante de Servicios al Cliente en su área utilizando la información de contacto en nuestro sitio web. Conéctese a www.weber.com.

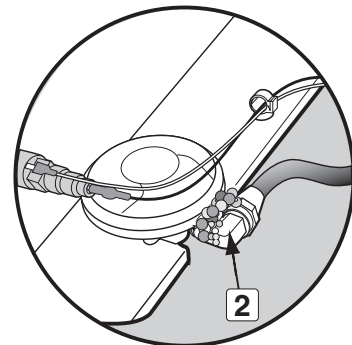
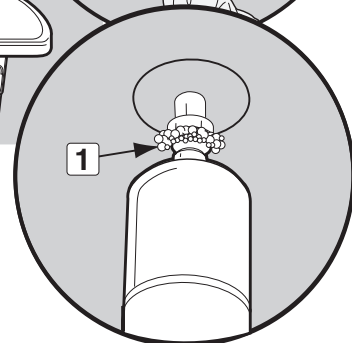
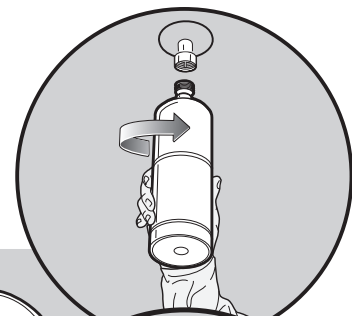
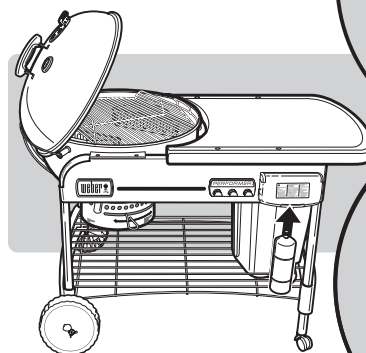
B) Conexiones del regulador a la manguera.

⚠ ADVERTENCIA: Si hubiese una fuga en la conexión (2) CIERRE el suministro de gas. NO HAGA FUNCIONAR LA BARBACOA. Contacte al Representante de Servicios al Cliente en su área utilizando la información de contacto en nuestro sitio web. Conéctese a www.weber.com.

Cuando se haya completado la comprobación de las fugas de gas, CIERRE el suministro de gas en la fuente y enjuague las conexiones con agua.

⚠ PELIGRO

No almacene un cilindro de propano licuado de reserva debajo o cerca de este aparato.



ENCENDIDO

⚠ PELIGRO

Abra la tapa antes de encender. En ningún momento utilice líquidos inflamables tales como fluido de encendido, gasolina, alcohol o cualquier forma de carbón autoencendible, incluso cuando se esté encendiendo manualmente. El hacer caso omiso a esta instrucción causará lesiones corporales serias o la muerte.

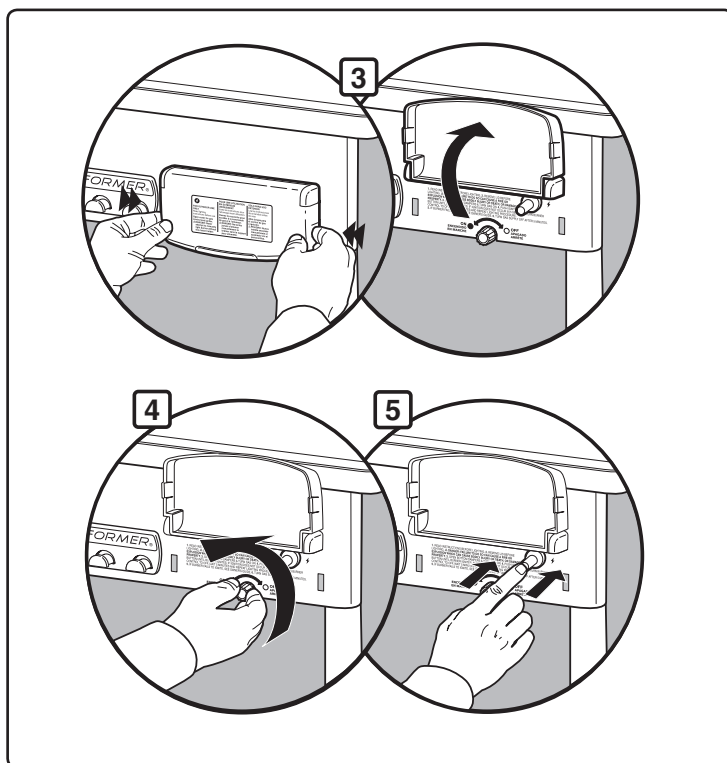
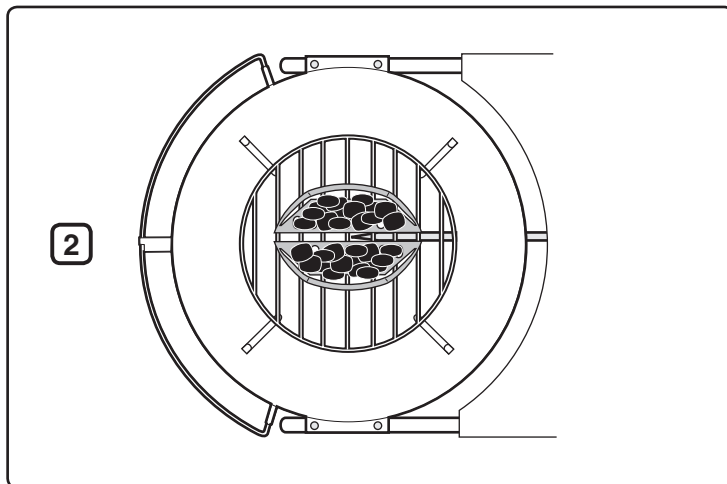
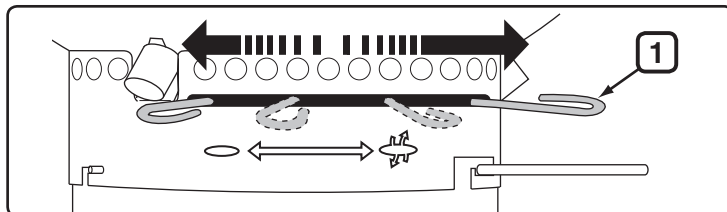
- A) Retire la tapa de la barbacoa antes de encender el sistema de gas.
- ⚠ **PELIGRO: El no hacerlo pudiera causar una acumulación de gas que ocasione un fuego o explosión, resultando en lesiones corporales o la muerte y en daños a la propiedad.**
- B) Abra los reguladores de aire en el fondo del tazón (1).
- C) Coloque las canastas del carbón vegetal sobre el quemador (2).
- D) Empuje hacia dentro las lengüetas sobre la cubierta del control del gas (3) y levante para abrir.
- E) Abra el suministro de gas (gire en dirección contraria a las manecillas del reloj) por lo menos una vuelta completa(4).
- ⚠ **ADVERTENCIA: No se incline sobre la barbacoa abierta mientras esté encendiéndola.**
- F) Pulse el botón de encendido y manténgalo pulsado hasta que el quemador se encienda (5).
- ⚠ **PRECAUCIÓN: Puede que sea difícil ver la llama en un día brillante.**
- G) Una vez se haya encendido el carbón vegetal (en aproximadamente 5 minutos), CIERRE (en dirección de las agujas del reloj) el control de gas.
- ⚠ **PRECAUCIÓN: Asegúrese de que la cubierta esté completamente cerrada.**

Nota - Corridas prolongadas del tanque reducen la vida del tanque.

- H) Puede empezar a cocinar cuando las briquetas estén cubiertas con una leve capa de ceniza gris (en aproximadamente 25-30 minutos).

PARA APAGAR

Cierre el suministro de gas girando el control del gas en la dirección de las manecillas del reloj.



ENCENDIDO MANUAL

⚠ **ADVERTENCIA:** No trate de encender manualmente sin utilizar el portacerillos.

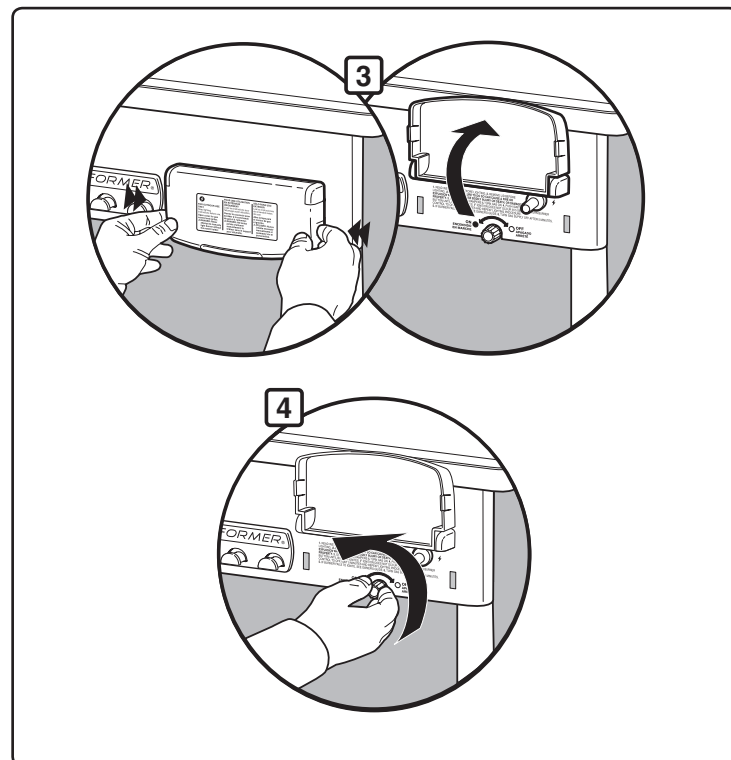
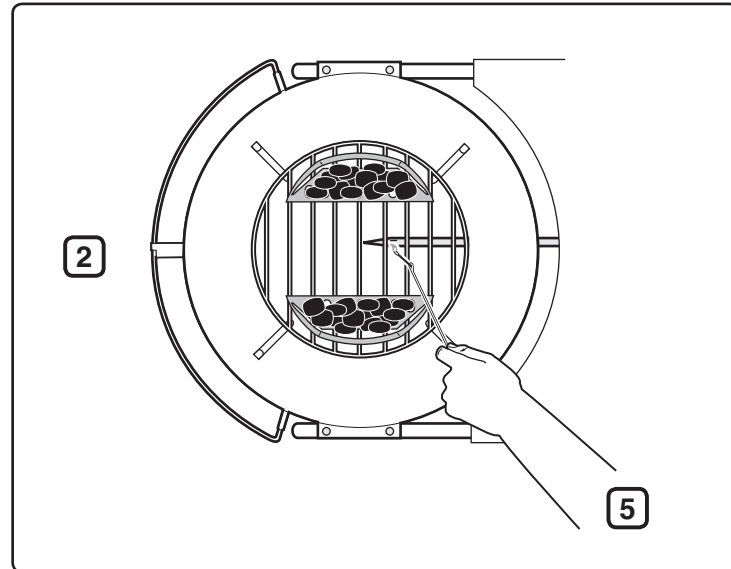
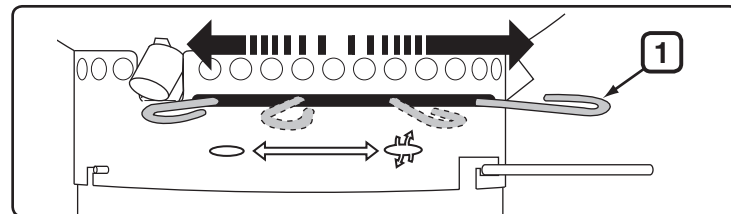
⚠ PELIGRO

Abra la tapa antes de encender. En ningún momento utilice líquidos inflamables tales como fluido de encendido, gasolina, alcohol o cualquier forma de carbón autoencendible, incluso cuando se esté encendiendo manualmente. El hacer caso omiso a esta instrucción causará lesiones corporales serias o la muerte.

- A) Retire la tapa de la barbacoa antes de encender el sistema de gas.
- ⚠ **PELIGRO:** El no hacerlo podría causar una acumulación de gas que ocasione un fuego o explosión, resultando en lesiones corporales o la muerte y en daños a la propiedad.
- B) Abra los reguladores de aire en el fondo del tazón (1).
- C) Aleje las cestas Char-Baskets del quemador (2).
- D) Empuje hacia dentro las lengüetas sobre la cubierta del control del gas (3) y levante para abrir.
- E) Coloque un cerillo en el portacerillos. Encienda el cerillo.
- F) Abra el suministro de gas (gire en dirección contraria a las manecillas del reloj) por lo menos una vuelta completa(4).
- G) Coloque la llama del cerillo en la parte posterior de la ranura del quemador (5).
- ⚠ **ADVERTENCIA:** No coloque la mano directamente sobre el quemador al encender manualmente.
- ⚠ **ADVERTENCIA:** No se incline sobre la barbacoa abierta mientras esté encendiéndola.
- ⚠ **PRECAUCIÓN:** Puede que sea difícil ver la llama en un día brillante.
- H) Lleve puestos guantes de barbacoa y utilice tenazas para volver a colocar las cestas Char-Baskets sobre el quemador.
- I) Una vez se haya encendido el carbón vegetal (en aproximadamente 5 minutos), CIERRE (en dirección de las agujas del reloj) el control de gas.
- J) Puede empezar a cocinar cuando las briquetas estén cubiertas con una leve capa de ceniza gris (en aproximadamente 25-30 minutos).

PARA APAGAR

Cierre el suministro de gas girando el control del gas en la dirección de las manecillas del reloj.



RESOLUCIÓN DE PROBLEMAS

REVISAR	PROBLEMA	REMEDIO
Los quemadores queman con una llama amarilla o anaranjada, conjuntamente con un olor a gas.	Inspeccione el quemador para verificar que no esté obstruido.	Limpie el quemador. (Vea la sección de "Mantenimiento")
El quemador no enciende, o la llama está baja.	¿Está el tanque de propano licuado vacío o bajo de combustible?	Reemplace el tanque de propano licuado.
	¿Está doblada la manguera de combustible?	Enderece la manguera de combustible.
	¿Se enciende el quemador con un cerillo?	Si el quemador se enciende con un cerillo, entonces revise el sistema de ignición.
	¿Está debidamente ajustada la conexión de la manguera al tubo del quemador?	Conecte la manguera de gas al tubo quemador usando el clip retenedor proporcionado. ⚠PELIGRO: No use el dispositivo de encendido del gas si está faltando el clip retenedor. Un clip retenedor faltante puede causar lesiones corporales serias o la muerte y daños a la propiedad. Contacte a Atención al Cliente para obtener un clip retenedor de reemplazo.
El quemador produce llamas con un patrón errático.	¿Está limpio el quemador?	Limpie el quemador (Vea la sección de "Mantenimiento")
La parte interna de la tapa pareciera estar "pelándose". (Se parece al desprendimiento de pintura.)	Lo que está viendo es grasa asada que se ha convertido en carbón y se está descascarando. ESTO NO ES UN DEFECTO.	Limpie a fondo. (Vea la sección "Limpieza")

Si los problemas no pueden corregirse usando cualquiera de estos métodos, por favor contacte al Representante de Atención al Cliente en su área usando la información de contacto en nuestro sitio web. Conéctese a www.weber.com®.

MANTENIMIENTO

Después de un cierto tiempo sin uso, por su seguridad le recomendamos que lleve a cabo el siguiente procedimiento de mantenimiento.

- Inspeccione la manguera previo a cada uso de la barbacoa y asegúrese de que no tenga muescas, grietas, abrasiones o cortes. Si se encuentra que está inservible, no utilice la barbacoa. Reemplácela usando solamente piezas de repuesto autorizadas por Weber®. **Contacte al Representante de Atención al Cliente usando la información de contacto en nuestro sitio web. Conéctese a www.weber.com.**

⚠ PRECAUCIÓN: Si la manguera de gas de la barbacoa está dañada por cualquier razón o tiene una fuga, no utilice la barbacoa.

- Inspeccione el quemador para asegurarse de que el patrón de la llama sea el correcto (consulte la sección "Patrón de la llama del quemador"). Si fuese necesario, límpielo de acuerdo a los procedimientos esbozados en esta sección.
- Revise todos los accesorios de la conexión de gas para asegurarse de que no haya fugas. Vea la sección, "Compruebe que no haya fugas de gas."

LIMPIEZA PERIÓDICA

Para retirar las cenizas del tazón, mueva la varilla de control (1) de lado a lado de manera que las hojas del regulador de aire barran las cenizas a través de los respiraderos del tazón al recolector de cenizas.

⚠ PRECAUCIÓN: Antes de limpiarla, asegúrese de que la barbacoa se haya enfriado y el quemador esté APAGADO.

Al limpiar, no agrande las ranuras del quemador.

Para limpiar el quemador:

- Limpie con un cepillo de alambre la parte externa del tubo quemador (2) y la sección de ranuras del quemador (3).

⚠ PRECAUCIÓN: Al limpiar, no agrande las ranuras del quemador o el orificio del gas.

Para limpiar el tazón:

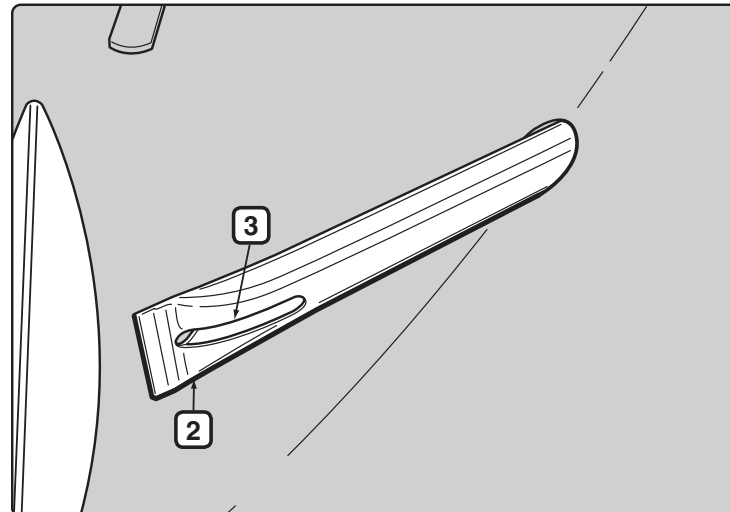
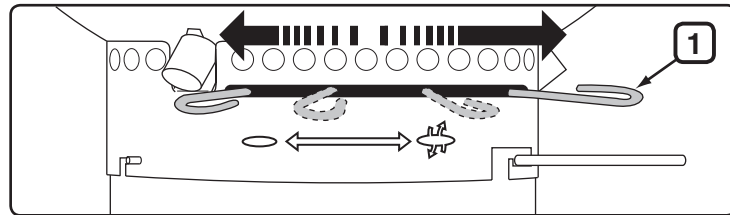
- Mientras la tapa este tibia, limpie la parte interna con una toalla de papel para prevenir la acumulación de grasa.
- Para las superficies externas use una solución de agua jabonosa tibia y enjuague bien con agua limpia.

Para una limpieza más a fondo(que debe hacerse por lo menos una vez al año):

- Retire las cenizas una vez que los carbones se hayan extinguido completamente.
- Retire las rejillas y las canastas Char-Baskets™.
- Limpie con toallas de papel. Lave con un detergente suave y agua. Enjuague bien con agua limpia y seque con un trapo.

ALMACENAJE

- Cuando la parrilla Performer se almacena dentro de la casa, el suministro de gas debe desconectarse y el tanque de propano licuado debe almacenarse al aire libre en un espacio bien ventilado.
- Los tanques de propano licuado deben almacenarse al aire libre en un área bien ventilada fuera del alcance de los niños y no deben almacenarse en edificaciones, garajes o cualquier otra área cerrada.
- Tras un período de almacenaje y/o de estar sin uso, antes de usarse se debe revisar que la barbacoa no tenga fugas de gas o obstrucciones en el tubo quemador (vea la sección "Mantenimiento").
- Antes de poner en uso, verifique que en las áreas alrededor del tanque, la manguera y el ensamble del quemador no existan restos que pudieran obstruir el flujo de gas o de aire.



ALERTA RESPECTO A LOS INSECTOS

Su barbacoa Performer, al igual que cualquier otro aparato de gas al aire libre, es un blanco para las arañas y demás insectos. Estos pueden hacer su nido en la sección Venturi (1) del tubo quemador causando que el gas fluya hacia atrás por la válvula de aire.

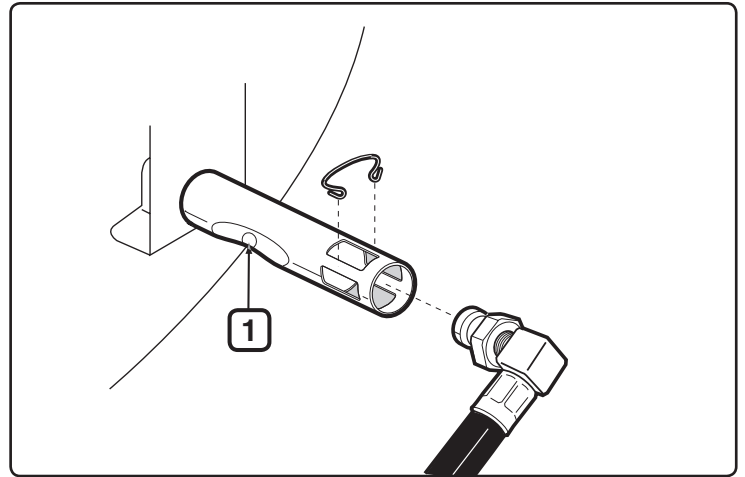
Esto pudiera resultar en un fuego en y alrededor del tubo quemador debajo del panel del tazón. Esto puede causar daños serios a su barbacoa, haciéndola insegura de operar.

Recomendamos muy seriamente que inspeccione y limpie el tubo quemador por lo menos una vez al año, o si cualesquiera de los siguientes síntomas ocurriesen:

- A) Olor a gas en conjunción con llamas del quemador con un apariencia muy amarilla y floja.
- B) El quemador hace un ruido "pop-pop"

⚠ PELIGRO

El no corregir estos síntomas podría resultar en un fuego que puede causar lesiones corporales serias o la muerte y daños a la propiedad.



INSPECCIÓN Y LIMPIEZA DEL QUEMADOR

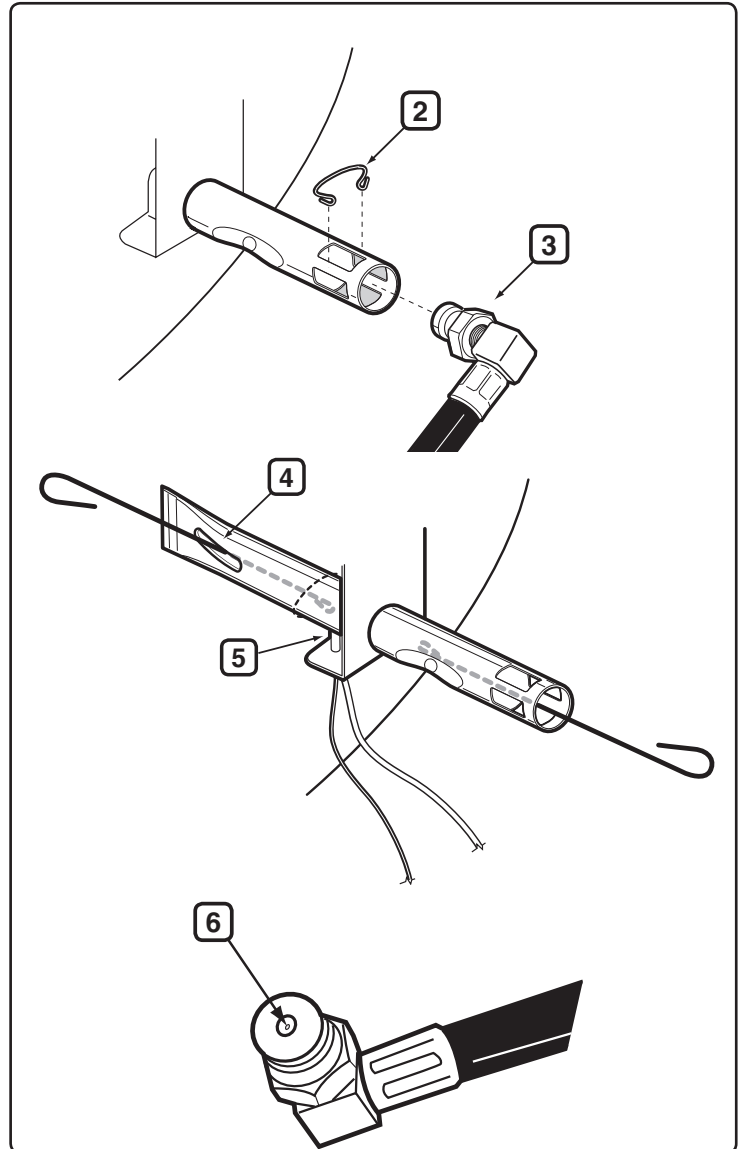
- A) Cerrar el suministro de gas.
- B) Retire el recipiente de almacenaje CharBin™.
- C) Retire el clip del orificio (2) y la conexión de la manguera (3) del tubo quemador.
- D) Revise la parte interna del quemador con una linterna.
- E) Limpie la parte interna del quemador con el portacerillos de alambre (proporcionado).

Use el alambre para limpiar el aire de la válvula de aire, la sección Venturi, y las ranuras del quemador (4) en la parte interna del tazón. Al insertar la herramienta de limpieza del quemador, tenga cuidado de no dañar el electrodo de encendido (5).

- F) Vuelva a revisar con una linterna que no haya obstrucciones.
- G) Si fuese necesario, la superficie de la conexión de la manguera puede limpiarse con un cepillo de alambre de latón. El orificio (6) puede limpiarse con un alfiler pequeño.

⚠ PRECAUCIÓN: Al limpiar, no agrande el orificio.

- H) Vuelva a ensamblar todo siguiendo los pasos B y C en orden inverso.

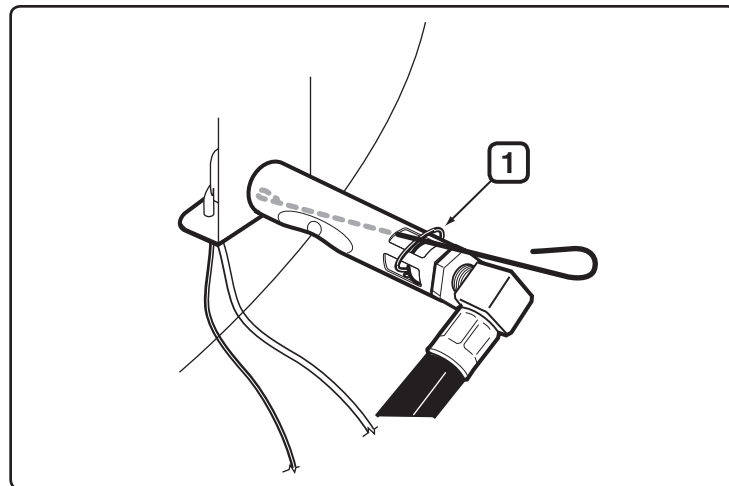


LIMPIEZA RÁPIDA PERIÓDICA

Le recomendamos que periódicamente limpie con un cepillo de alambre la parte externa de las ranuras del quemador y limpie el tubo quemador a través del respiradero de aire de combustión con la herramienta que hemos provisto.

Esto puede hacerse ubicando el respiradero de aire de combustión del quemador (1) debajo del panel del tazón e insertando la herramienta a través de cada respiradero de aire, a la vez que se rota la herramienta. Tenga cuidado de que al insertar la herramienta de limpieza del quemador no dañe el electrodo de ignición.

⚠ PRECAUCIÓN: Es importante incrementar la frecuencia de este procedimiento de limpieza durante los meses de primavera y verano.

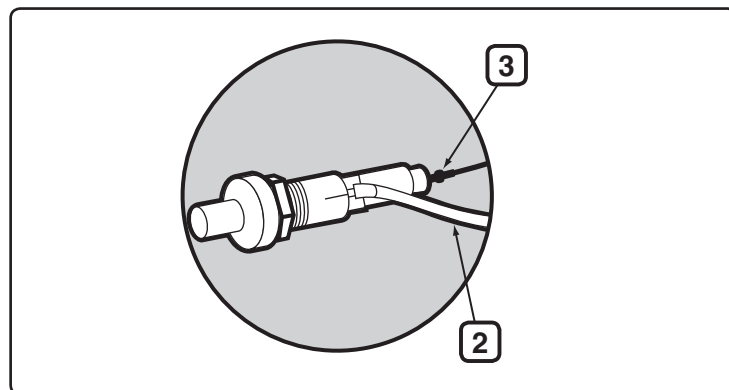


SISTEMA DE ENCENDIDO

Si el sistema de encendido no enciende el quemador, encienda la parrilla manualmente. Si el encendido manual es exitoso, entonces revise el Sistema de Encendido.

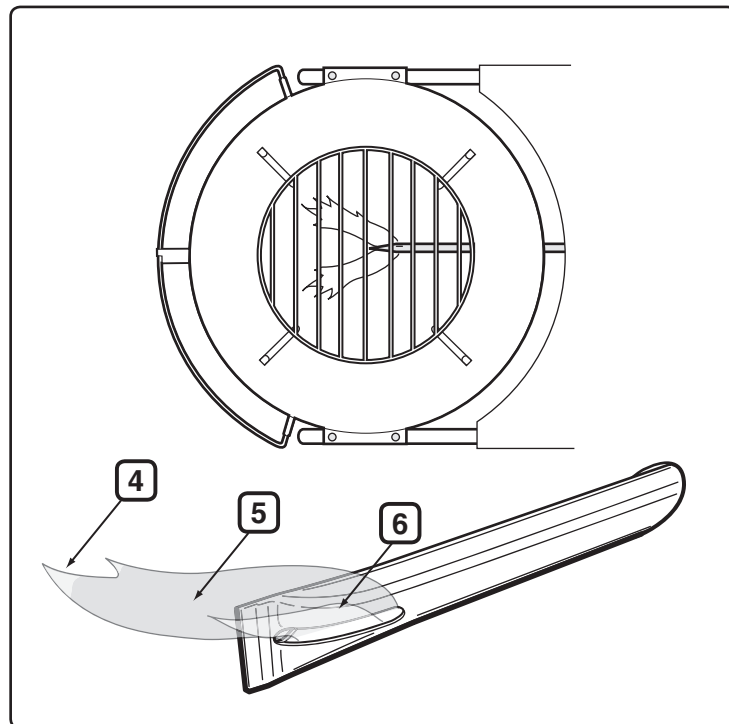
- Revise que los cables de encendido, tanto el blanco (2) como el negro (3), estén bien conectados.
- Revise que el botón de encendido se pueda pulsar completamente hacia adentro y que el mismo retorne.
- Revise que el encendedor no esté suelto en el bastidor. Apriételo si fuese necesario; para el procedimiento correcto, vea los pasos para "Instalar el encendedor".

Si el sistema de encendido aún no enciende el quemador, use el procedimiento de encendido manual y contacte a su distribuidor.



PATRÓN DE LA LLAMA DEL QUEMADOR

El quemador ha sido ajustado en la fabrica para la mezcla correcta de aire y gas. El patrón correcto de la llama debe tener puntas amarillentas (4), azul oscuro en el medio (5), y azul claro en el tubo quemador (6). Si las llamas no son como se muestra, o si se produjese un ruido "pop-pop", siga los procedimientos de limpieza del quemador.



PERFORMER®



Mode d'emploi du Grill à Charbon de bois

Assemblage - Pg 7

#56201



**VOUS DEVEZ LIRE LE PRESENT MODE
D'EMPLOI AVANT D'UTILISER VOTRE
GRILL A GAZ**

⚠ DANGER

Si vous sentez du gaz :

1. Fermez le gaz en direction de l'appareil.
2. Eteignez toute flamme nue.
3. Ouvrez le couvercle.
4. Si l'odeur persiste, restez éloigné de l'appareil et contactez immédiatement votre fournisseur de gaz ou les pompiers.

Une fuite de gaz peut provoquer un incendie ou une explosion qui pourrait provoquer des blessures graves voire un décès, ou des dégâts matériels.

NOTE POUR L'INSTALLATEUR : Les présentes instructions doivent être remises au propriétaire et le propriétaire devrait les conserver pour une utilisation ultérieure.

**CET APPAREIL A GAZ EST CONCU
POUR UNE UTILISATION EN EXTERIEUR
UNIQUEMENT.**

⚠ MISE EN GARDE

1. Ne conservez pas une bouteille de propane liquide de recharge à moins de 10 pieds (3 m) de cet appareil.
2. Ne rangez pas ou n'utilisez pas d'essence ou d'autres liquides ou vapeurs inflammables à moins de 25 pieds (8 m) de cet appareil.

⚠ MISE EN GARDE : Suivez toutes les procédures de détection des fuites de ce manuel avec prudence avant d'utiliser le barbecue. Faites-le même si le barbecue a été assemblé par le revendeur.

⚠ MISE EN GARDE : N'essayez pas d'allumer cet appareil sans avoir lu la section de ce manuel consacrée aux consignes pour "l'Allumage".

⚠ Le non respect des présentes consignes pourrait provoquer un incendie ou une explosion susceptibles de provoquer des dégâts matériels, des blessures voire un décès.

DANGERS ET MISES EN GARDE

LE NON RESPECT DES PRESENTES CONSIGNES INTITULEES DANGERS, MISES EN GARDE ET ATTENTION RISQUE DE PROVOQUER DES BLESSURES GRAVES VOIRE UN DECES, OU UN INCENDIE OU UNE EXPLOSION POUVANT ENTRAINER DES DEGATS MATERIELS.

- △ LES SYMBOLES DE SECURITE (△) vous indiqueront les informations de SECURITE importantes.
- △ Les mots d'avertissement DANGER, MISE EN GARDE ou ATTENTION seront utilisés avec le SYMBOLE DE SECURITE.
- △ DANGER identifiera les risques les plus graves.
- △ Veuillez lire la totalité des consignes de sécurité contenues dans le présent Mode d'emploi avant d'utiliser ce barbecue.

△ DANGERS

- △ Le non respect des consignes intitulées Danger, Mise en garde et Attention contenues dans ce Mode d'emploi pourrait entraîner des blessures graves voire un décès, ou un incendie ou une explosion provoquant des dégâts matériels.
- △ Ne pas utiliser à l'intérieur ! Ce barbecue est conçu pour une utilisation en extérieur uniquement. En cas d'utilisation à l'intérieur, des émanations toxiques vont s'accumuler et provoquer des blessures graves voire la mort.
- △ Utilisez ce barbecue uniquement à l'extérieur dans une zone bien ventilée. Ne l'utilisez pas dans un garage, un bâtiment, un passage couvert ou toute autre zone confinée.
- △ N'utilisez pas ce barbecue au-dessous d'une structure suspendue inflammable.
- △ Un montage incorrect peut se révéler dangereux. Veuillez suivre les consignes pour le montage de ce manuel. N'utilisez pas le barbecue si toutes les pièces ne sont pas en place. Assurez-vous que l'attrape-cendres est correctement fixé aux pieds au-dessous de la cuve du barbecue, ou que l'attrape-cendres grande contenance est en place, avant d'allumer le grill.
- △ N'ajoutez pas de fluide de démarrage pour charbon de bois ou de charbon de bois imprégné de fluide de démarrage pour charbon de bois sur des braises ou du charbon de bois chaud. Remettez le bouchon sur le fluide de démarrage après utilisation, et placez-le à une distance sans danger à l'écart du barbecue.
- △ N'utilisez pas d'essence, de démarreur de feu liquide, d'alcool ou d'autres fluides extrêmement volatiles sur le charbon de bois, à aucun moment. N'utilisez aucune forme de charbon de bois qui s'allume tout seul à aucun moment.
- △ Vous devriez faire preuve d'une prudence raisonnable lorsque vous utilisez votre barbecue. Il sera très chaud pendant la cuisson et il ne devrait jamais être laissé sans surveillance pendant son utilisation.
- △ Ne laissez pas des nourrissons, des enfants ou des animaux domestiques sans surveillance près d'un barbecue à haute température.
- △ Ne tentez pas de déplacer un barbecue à haute température.
- △ N'utilisez pas ce barbecue à moins de cinq pieds de tout matériau inflammable. Les matériaux inflammables incluent mais sans s'y limiter, les terrasses en bois ou en bois traité, les patios et les porches.
- △ Les matériaux inflammables ne devraient jamais se situer à moins de 24 pouces du haut, du bas, de l'arrière ou des côtés du barbecue.
- △ Maintenez la zone de cuisson dégagée de toute émanation et de tous liquides inflammables, comme de l'essence, de l'alcool, etc. et de tout matériau inflammable.
- △ Ne retirez pas les cendres avant que la totalité du charbon de bois soit complètement brûlée et qu'ils soient complètement éteints et que le grill ait refroidi.
- △ Placez toujours le charbon de bois dans les paniers Char-Baskets™ ou au-dessus de la grille (à charbon de bois) inférieure. Ne placez pas le charbon de bois directement dans le fond de la cuve.
- △ Ne portez pas de vêtements avec des manches flottantes amples pendant que vous allumez ou que vous utilisez le barbecue.
- △ Ne vous penchez jamais au-dessus du barbecue lorsque vous allumez le brûleur à gaz.
- △ N'utilisez pas le barbecue lorsque le vent est fort.
- △ N'utilisez pas le barbecue en cas de fuite de gaz.
- △ N'utilisez pas de flamme pour détecter les fuites de gaz.
- △ Si le brûleur s'éteint à tout moment pendant son utilisation, fermez la valve de la bouteille de gaz. Retirez le couvercle et patientez cinq minutes avant de tenter de le rallumer, en utilisant les instructions pour l'allumage présentées dans le présent Manuel.
- △ Ne tentez pas de déconnecter le régulateur de gaz de la bouteille de gaz ou tout raccord de gaz pendant que vous utilisez le barbecue.
- △ Utilisez uniquement le régulateur de gaz PL qui est fourni avec votre barbecue.

△ MISES EN GARDE

- △ Ne rangez pas une bouteille de PL de rechange ou une bouteille de PL débranchée au-dessous ou à proximité de ce barbecue.
- △ Conservez le barbecue sur une surface sûre et plane à tout moment, et dégagée de tout matériau inflammable.
- △ Ne placez pas le couvercle du barbecue ni aucun objet inflammable sur ou à l'intérieur de la zone de stockage au-dessous du barbecue
- △ Retirez toujours le couvercle avant d'allumer le brûleur à gaz, soit manuellement ou à l'aide de l'allumeur. Le couvercle ne doit pas être fermé jusqu'à ce que le charbon de bois soit complètement allumé.
- △ Ne touchez jamais les grilles de cuisson ou les grilles à charbon de bois, les cendres, le charbon de bois ou le barbecue pour vérifier s'ils sont chauds.
- △ N'utilisez jamais de pierres de lave ou de pierres de charbon de bois dans ce barbecue.
- △ N'utilisez pas d'eau pour contrôler les embrasements ou pour éteindre le charbon de bois, car cela risque de détériorer la finition de porcelaine. Fermez légèrement les aérations inférieures (registres) et placez le couvercle sur la cuve.

DANGERS ET MISES EN GARDE (SUITE)

⚠ MISES EN GARDE (suite)

- ⚠ **Eteignez les braises lorsque la cuisson est terminée. Fermez toutes les aérations (registres) une fois que vous avez placé le couvercle sur la cuve.**
- ⚠ **Vous devriez toujours porter des gants pour barbecue pendant la cuisson, le réglage des aérations (registres), l'ajout de charbon et la manipulation du thermomètre ou du couvercle.**
- ⚠ **Utilisez des ustensiles adaptés au barbecue, avec de longues poignées résistantes à la chaleur.**
- ⚠ **Certains modèles peuvent inclure la fonctionnalité de support de couvercle Tuck-Away™. Le support de couvercle Tuck-Away™ est utilisé pour ranger le couvercle pendant que vous vérifiez ou que vous retournez vos aliments. N'utilisez pas le support de couvercle Tuck-Away™ comme une poignée pour soulever ou déplacer le grill. Ne placez pas le couvercle chaud sur un tapis ou sur du gazon. Ne suspendez pas le couvercle sur la poignée de la cuve.**
- ⚠ **Ne jetez jamais des braises à un endroit où quelqu'un pourrait marcher dessus ou à un endroit où elles risqueraient de provoquer un incendie. Ne jetez jamais des cendres ou du charbon de bois avant leur extinction complète. Ne rangez pas le barbecue avant que les cendres et les braises ne soient complètement éteintes.**
- ⚠ **Manipulez et rangez les démarreurs électriques chauds avec précaution.**
- ⚠ **Conservez les câbles et les cordons électriques à l'écart des surfaces chaudes du barbecue et à l'écart des zones à forte circulation.**
- ⚠ **Après une période de stockage et/ou d'inutilisation, vérifiez les fuites de gaz et les obstructions du brûleur avant utilisation. Voir les instructions de ce manuel pour les procédures correctes.**
- ⚠ **La conversion ou la tentative d'utilisation du gaz naturel dans ce barbecue est dangereuse et elle annulera votre garantie.**
- ⚠ **Une bouteille de PL ébréchée ou rouillée peut être dangereuse et devrait être vérifiée par votre fournisseur de propane liquide. N'utilisez pas une bouteille de PL dont la valve est détériorée.**
- ⚠ **bien que votre bouteille de PL puisse sembler vide, il est possible qu'elle contienne toujours du gaz. La bouteille devrait être transportée et conservée en conséquence.**
- ⚠ **Les sous-produits de combustion générés lors de l'utilisation de ce produit contiennent des agents chimiques reconnus par l'état de Californie comme étant à l'origine du cancer, de malformations à la naissance et d'autres troubles de la reproduction.**
- ⚠ **PROP 65 MISE EN GARDE : La manipulation des parties en cuivre de ce produit vous expose à du plomb, un agent chimique reconnu par l'état de Californie comme pouvant générer le cancer et des malformations à la naissance ainsi que d'autres troubles de la reproduction. *Lavez-vous les mains après avoir manipulé ce produit.***
- ⚠ **Si vous voyez, sentez ou entendez du gaz qui s'échappe de la bouteille de PL :**
 1. **Eloignez-vous de la bouteille de PL.**
 2. **Ne tentez pas de corriger le problème vous-même.**
 3. **Appelez les pompiers.**

⚠ ATTENTION

- ⚠ **Recouvrir la cuve de papier aluminium va faire obstacle à la circulation de l'air. Au lieu de cela, utilisez un égouttoir pour attraper les gouttes qui s'écoulent de la viande lorsque vous cuisez en utilisant la Méthode indirecte.**
- ⚠ **L'utilisation d'objets aiguisés pour nettoyer la grille de cuisson ou pour retirer les cendres va détériorer les finitions.**
- ⚠ **L'utilisation de détergents abrasifs sur les grilles de cuisson ou sur le barbecue lui-même va détériorer les finitions.**
- ⚠ **Le barbecue devrait être nettoyé régulièrement de manière approfondie.**

GARANTIE

Weber-Stephen Products Co. (Weber) garantit par le présent document à IACHETEUR D'ORIGINE de ce grill à gaz Weber® qu'il ne comportera aucun défaut de pièce et de main d'oeuvre à compter de la date d'achat comme suit :

Grilles de cuisson / Grilles à charbon de bois	2 ans
Système de nettoyage en acier inoxydable One-Touch™	10 ans
Cuve et couvercle contre la rouille / les perforations	10 ans
Poignées en nylon	10 ans
Pièces thermoplastiques/thermoformées (Performer®)	10 ans
	sauf les décolorations
Toutes les autres pièces	2 ans

à condition qu'il ait été assemblé et utilisé conformément aux instructions imprimées qui l'accompagnent.

Weber peut exiger une preuve raisonnable de votre date d'achat. VOUS DEVRIEZ DONC CONSERVER VOTRE TICKET DE CAISSE OU VOTRE FACTURE.

La présente Garantie limitée est limitée à la réparation ou au remplacement des pièces qui s'avèrent défectueuses dans le cadre d'une utilisation normale et d'un entretien normal et dont l'examen indique, à la satisfaction de Weber, qu'elles sont défectueuses. Avant de retourner toute pièce, veuillez entrer en contact avec le Représentant du Service clientèle le plus proche grâce aux coordonnées à votre disposition sur notre site Internet. Si Weber confirme le défaut et approuve la demande, Weber choisira de remplacer ces pièces sans frais. S'il vous est demandé de retourner les pièces défectueuses, les frais de transport devront être prépayés. Weber retournera les pièces à l'acheteur, franco de port.

La présente Garantie limitée ne couvre pas toute défaillance ou difficulté d'utilisation provoquée par un accident, une utilisation abusive, une mauvaise utilisation, une altération, une mauvaise application, un acte de vandalisme, une installation incorrecte ou une maintenance ou un entretien incorrects, ou le défaut d'entretien normal et régulier, y compris mais pas seulement les dommages provoqués par des insectes à l'intérieur des tubes du brûleur, tel que décrit dans le présent mode d'emploi.

Toute détérioration ou tout dommage résultant de conditions météorologiques graves comme de la

grêle, des ouragans, des séismes ou des tornades, toute décoloration résultant d'une exposition à des agents chimiques directement ou dans l'atmosphère, n'est pas couverte dans le cadre de la présente Garantie limitée.

Il n'existe aucune autre garantie expresse hormis celles exposées dans le présent document et toute garantie de commercialisation et de bon état induite est limitée en durée à la période de couverture de la présente Garantie limitée écrite expresse. Certaines régions n'autorisent pas de limitation de durée de la garantie induite ; il est donc possible que cette limitation ne s'applique pas à vous.

Weber ne peut être tenu pour responsable de tout dommage particulier, induit ou se produisant par voie de conséquence. Certaines régions n'autorisent pas l'exclusion ou la limitation des dommages indirects ou se produisant par voie de conséquence ; il est donc possible que cette limitation ou exclusion ne s'applique pas à vous.

Weber n'autorise aucune personne ou société à présumer en son nom de toute autre obligation ou responsabilité en relation avec la vente, l'installation, l'utilisation, le retrait, le retour ou le remplacement de ses équipements ; et aucune de ces représentations ne lie Weber.

La présente Garantie s'applique uniquement aux produits vendus au détail.

WEBER-STEPHEN PRODUCTS CO.

Service clientèle
1890 Roselle Road, Suite 308
Schaumburg, IL 60195
USA

Pour les pièces de rechange, appelez au :
1-800-446-1071

Rendez-vous sur le site www.weber.com®, sélectionnez votre pays et enregistrez votre barbecue dès aujourd'hui.

GENERALITES

- Les présentes instructions vous fourniront les exigences minimales pour l'assemblage de votre barbecue à gaz Weber®. Veuillez lire ces instructions avec attention avant d'utiliser votre barbecue à gaz Weber®. Un assemblage incorrect peut se révéler dangereux.
- Ne convient pas pour une utilisation par des enfants.
- L'installation doit être en conformité par rapport aux codes régionaux ou, en l'absence de codes régionaux, avec le Code national sur le gaz combustible, ANSI Z223.1/NFPA 54, Stockage et manipulation du gaz pétrole liquide, ANSI/NFPA 58 ; ou CSA B149.1, Code des installations au gaz naturel et propane.
- Le régulateur de pression fourni avec le barbecue à gaz Weber® doit être utilisé. Ce régulateur est réglé pour 11 pouces de colonne d'eau (pression).
- Ce barbecue à gaz Weber® est conçu pour une utilisation avec du gaz propane liquide (PL) uniquement. Ne l'utilisez pas avec du gaz naturel (gaz de ville). Les valves, les orifices, le tuyau et le régulateur sont conçus pour le gaz PL uniquement.
- Cet appareil n'est pas conçu pour une utilisation commerciale.
- Vérifiez que la zone située sous le panneau de commande et le plateau inférieur ne comportent aucun débris susceptible de faire obstruction à la circulation de l'air nécessaire à la combustion ou à la ventilation.

- Les zones situées autour de la bouteille de PL doivent être dégagées et ne comporter aucun débris.
- Les régulateurs de pression et des assemblages de tuyaux de recharge doivent être ceux spécifiés par le fabricant de l'appareil de cuisson en extérieur.
- Placez les bouchons de protection contre la poussière sur les sorties de la valve de la bouteille lorsque vous n'utilisez pas la bouteille.

INFORMATION IMPORTANTE CONCERNANT LA BOUTEILLE

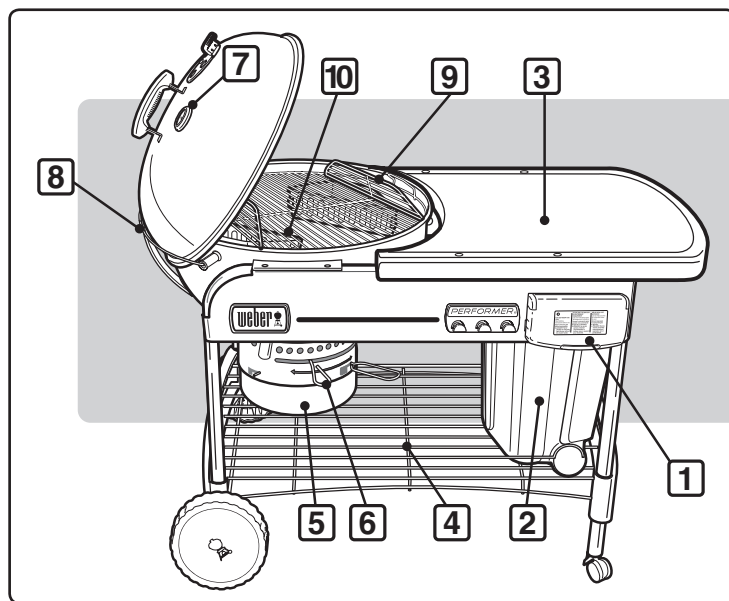
⚠ Ne rangez JAMAIS une Bouteille de PI de recharge sous ou à proximité de ce barbecue.

Remarque : Votre grille à gaz Weber® est équipé pour un système d'alimentation par bouteille de gaz conçu pour l'élimination des émanations.

- La bouteille d'alimentation PL qui doit être utilisée doit être fabriquée et marquée conformément aux spécifications pour les bouteilles de gaz PL du ministère des Transports des Etats-Unis (Department of Transportation - D.O.T.) ou de la Norme nationale pour le Canada, CAN/CSA-B339, Bouteilles, sphères et tubes pour le transport des matières dangereuses.

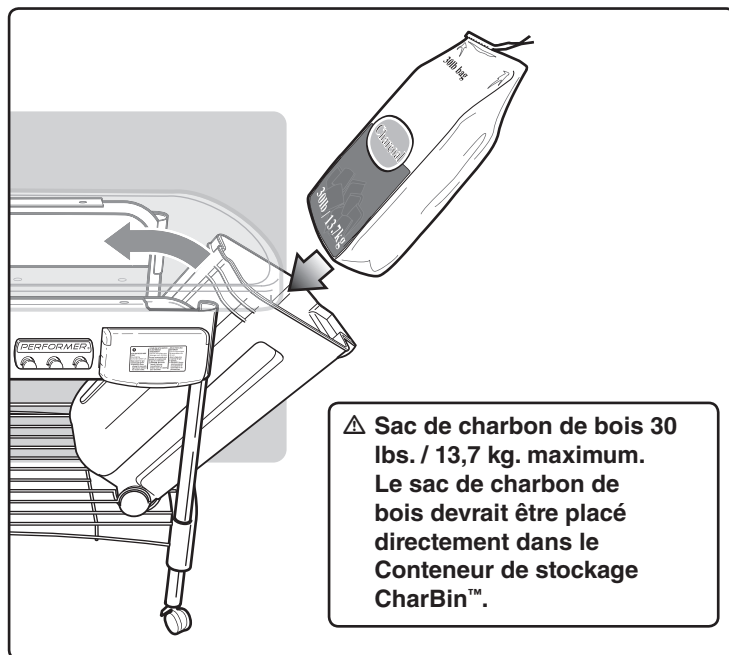
FONCTIONNALITES :

- A) Le système d'allumage du gaz exclusif Touch-N-Go™ simplifie l'allumage des briquettes de charbon de bois (1). Appuyez simplement sur un bouton et le brûleur à gaz du système s'allume, démarrant le charbon de bois pour vous. Aucun démarreur liquide dangereux à utiliser ou à stocker, et plus d'arrière-goût de démarreur liquide.
- B) Le Conteneur de stockage CharBin™ peut contenir un sac de charbon de bois d'un poids maximal de 30 lbs./13,7 kg (2). Le sac de charbon de bois devrait être placé directement dans le Conteneur de stockage CharBin™.
- C) La surface de travail thermoformée est un plan de travail formidable et elle recouvre le conteneur de stockage CharBin™ pour conserver les briquettes au sec (3).
- D) Grille inférieure pratique pour le stockage (4).
- E) L'attrape-cendres haute capacité se verrouille en place, éliminant ainsi les cendres brûlantes (5).
- F) Le système de nettoyage One-Touch® balaie facilement les cendres, ou ouvre et ferme les aérations (6).
- G) Le thermomètre permet de surveiller la température de cuisson à l'intérieur du grill (7).
- H) Le couvercle Tuck-Away™ se glisse à l'intérieur du porte-couvercle en acier inoxydable et sert de protection contre le vent pendant l'allumage des briquettes (8).
- I) Des volets d'accès avec gonds s'ouvrent sur la grille de cuisson pour permettre d'ajouter facilement des briquettes ou des pépites de bois pendant la cuisson (9).
- J) Les Porte-combustibles Char-Basket™ permettent une souplesse de cuisson indirecte pratique et directe concentrée avec du bois ou du charbon de bois (10).



ZONE D'UTILISATION

- ⚠ **MISE EN GARDE : Utilisez ce barbecue uniquement en extérieur dans une zone bien ventilée. Ne l'utilisez pas dans un garage, dans un bâtiment, dans un passage couvert ou dans tout autre lieu confiné.**
- ⚠ **L'utilisation d'alcool, de médicaments avec ou sans ordonnance peut altérer la capacité du consommateur à assembler l'appareil correctement ou à l'utiliser sans danger.**
- ⚠ **N'utilisez jamais le barbecue au-dessous d'une structure suspendue inflammable.**
- ⚠ **Votre barbecue Weber® n'est pas conçu pour être installé dans ou sur des véhicules de loisirs et/ou des bateaux.**
- ⚠ **N'utilisez pas de matériaux inflammables à moins de 24 pouces du haut, du bas, de l'arrière ou des côtés du grill.**
- ⚠ **La totalité du barbecue atteint une température élevée lors de son utilisation. Ne le laissez pas sans surveillance.**
- ⚠ **Veillez conserver tout cordon d'alimentation électrique ainsi que le tuyau d'arrivée de combustible à l'écart de toute surface chauffée.**
- ⚠ **Veillez conserver la zone de cuisson dégagée de toutes vapeurs et de tous liquides inflammables, comme de l'essence, de l'alcool, etc. et des matériaux inflammables.**
- ⚠ **Ne déplacez pas l'appareil pendant son utilisation. Laissez le grill refroidir avant de le déplacer.**
- ⚠ **Cet appareil n'est pas conçu pour et ne devrait jamais être utilisé en tant qu'appareil de chauffage.**



- ⚠ **Lorsque vous cuisinez, l'appareil doit se trouver sur une surface plane et stable dans une zone dégagée de tout matériau inflammable.**

FIXEZ LA BOUTEILLE DE PROPANE

Utilisez des bouteilles de propane jetable avec une contenance de 14,1 oz. ou 16,4 oz. équipées d'un raccord CGA N° 600.

⚠ ATTENTION : Utilisez des bouteilles portant la mention "Combustible propane" uniquement.

Enfoncez la bouteille de propane dans le régulateur et tournez dans le sens des aiguilles d'une montre jusqu'à ce que cela soit serré.

⚠ MISE EN GARDE : Serrez à la main uniquement. L'utilisation d'une force excessive pourrait détériorer le couplage du régulateur et pourrait provoquer une fuite.

DETECTEZ LES FUITES DE GAZ :

⚠ DANGER

N'utilisez pas une flamme nue pour détecter les fuites de gaz. Assurez-vous de l'absence d'étincelles ou de flammes nues dans la zone où vous détectez les fuites. Des étincelles ou des flammes provoqueraient un incendie ou une explosion susceptible de provoquer des blessures graves voire un décès ainsi que des dégâts matériels.

A) Raccord entre le régulateur et la bouteille de propane.

⚠ MISE EN GARDE : En cas de fuite au niveau du raccord (1), retirez la bouteille de propane en tournant dans le sens inverse des aiguilles d'une montre. N'utilisez pas le grill. Utilisez une bouteille de propane différente puis détectez à nouveau les fuites à l'aide d'une solution d'eau savonneuse. Si une fuite persiste une fois que vous avez resserré la bouteille de propane, fermez le gaz (OFF). N'UTILISEZ PAS LE GRILL. Contactez le Représentant du service clientèle de votre région à l'aide des coordonnées à votre disposition sur notre site Internet. Connectez-vous sur www.weber.com®.

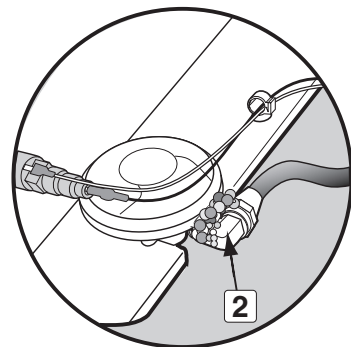
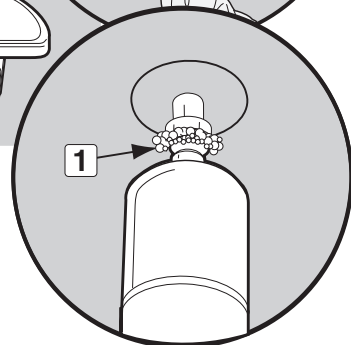
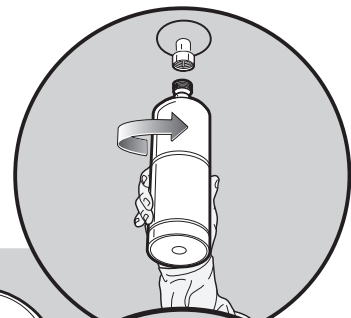
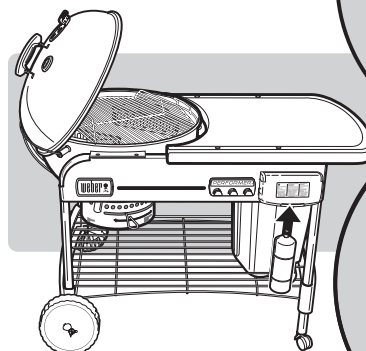
B) Raccords entre le régulateur et le tuyau.

⚠ MISE EN GARDE : En cas de fuite au niveau du raccord (2) fermez le gaz (OFF). N'UTILISEZ PAS LE GRILL. Contactez le Représentant du Service clientèle de votre région à l'aide des coordonnées à votre disposition sur notre site Internet. Connectez-vous sur www.weber.com®.

Une fois que vous avez terminé la détection des fuites, fermez l'arrivée de gaz (OFF) à la source puis rincez les raccords à l'eau.

⚠ DANGER

Ne rangez pas une bouteille de gaz PL de rechange au-dessous ou à proximité de cet appareil.



ALLUMAGE

⚠ DANGER

Ouvrez le couvercle avant de procéder à l'allumage. N'utilisez aucun liquide inflammable comme du fluide de démarrage, de l'essence, de l'alcool ou toute forme de charbon de bois qui s'allume tout seul à aucun moment, y compris pendant l'allumage manuel. Le non respect de cette consigne risque de provoquer des blessures graves voire la mort.

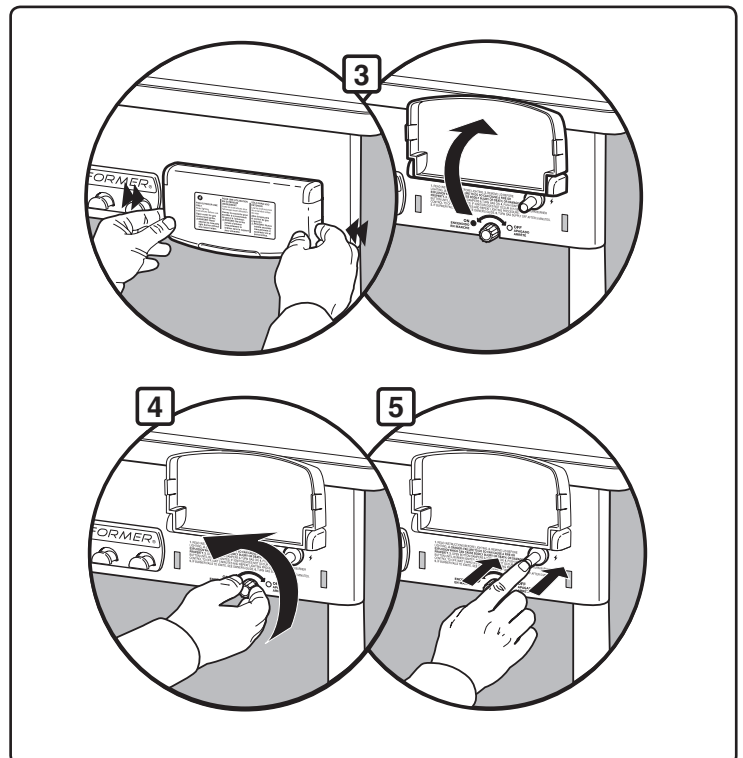
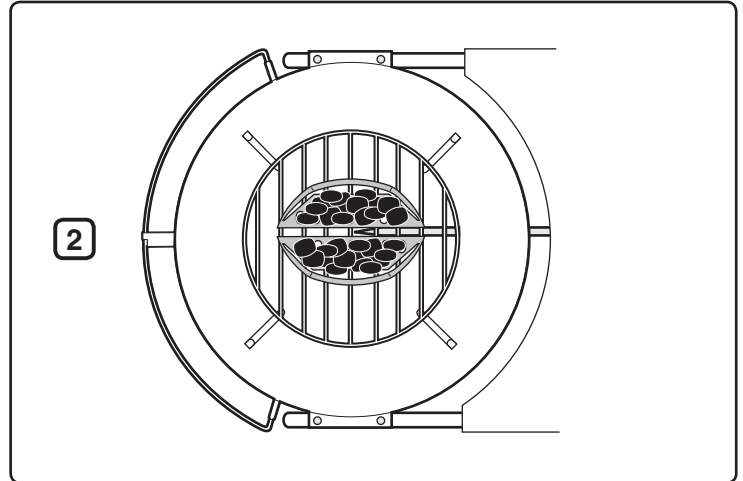
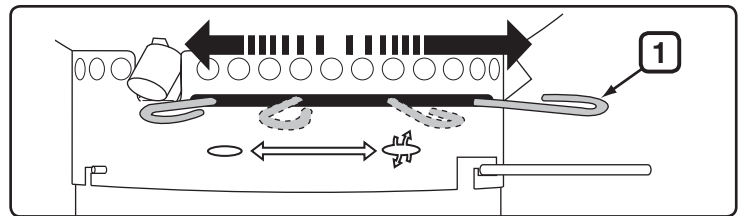
- A) Retirez le couvercle du grill avant d'utiliser la fonctionnalité gaz.
- ⚠ **DANGER : Le non respect de cette consigne peut provoquer une accumulation de gaz susceptible d'entraîner un incendie ou une explosion qui pourraient provoquer des blessures ou un décès, ou des dégâts matériels.**
- B) Ouvrez les registres au fond de la cuve (1).
- C) Positionnez les paniers à charbon de bois au-dessus du brûleur (2).
- D) Enfoncez les languettes sur le couvercle de la commande du gaz (3) et soulevez pour l'ouvrir.
- E) Ouvrez l'arrivée de gaz (sens inverse des aiguilles d'une montre) au moins un tour complet (4).
- ⚠ **MISE EN GARDE : Ne vous penchez pas au-dessus d'un barbecue ouvert pendant que vous l'allumez.**
- F) Maintenez le bouton d'allumage enfoncé jusqu'à ce que le brûleur s'allume (5).
- ⚠ **ATTENTION : Il peut être difficile de voir la flamme par une journée ensoleillée.**
- G) Une fois que le charbon de bois est allumé, (environ 5 minutes), positionnez la commande du gaz sur OFF (sens des aiguilles d'une montre) jusqu'à ce que le gaz soit fermé.
- ⚠ **ATTENTION : Assurez-vous que le couvercle est fermé complètement.**

Remarque - Une durée d'utilisation de la bouteille prolongée diminue la durée de vie de la bouteille de gaz.

- H) Vous pouvez commencer à cuisiner lorsque les briquettes sont légèrement couvertes de cendres grises (environ 25-30 minutes).

Pour éteindre

Fermez l'arrivée de gaz en tournant la commande du gaz dans le sens des aiguilles d'une montre jusqu'à ce que le gaz soit fermé.



ALLUMAGE MANUEL

⚠ **MISE EN GARDE** : Ne tentez pas de procéder à un allumage manuel sans utiliser le porte-allumette.

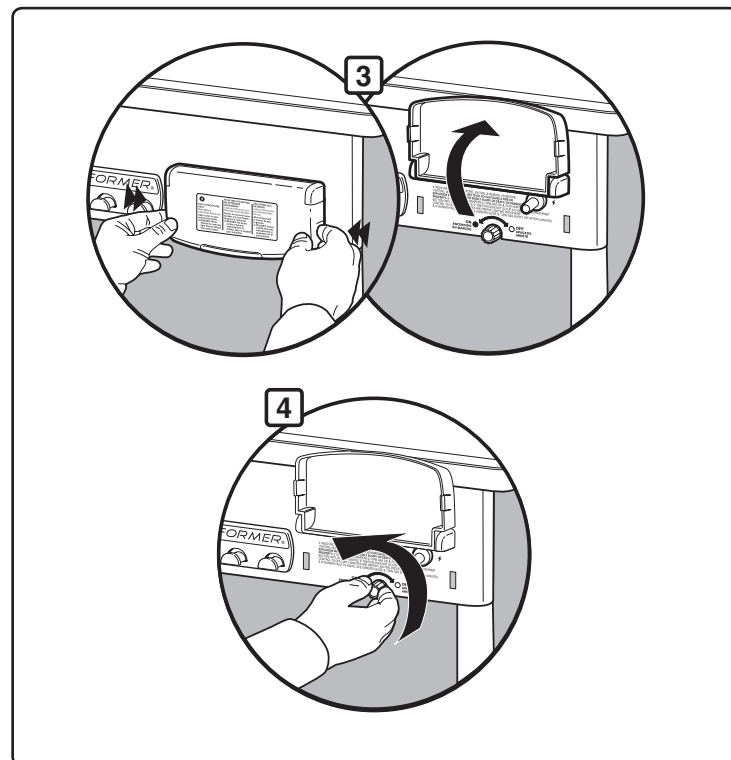
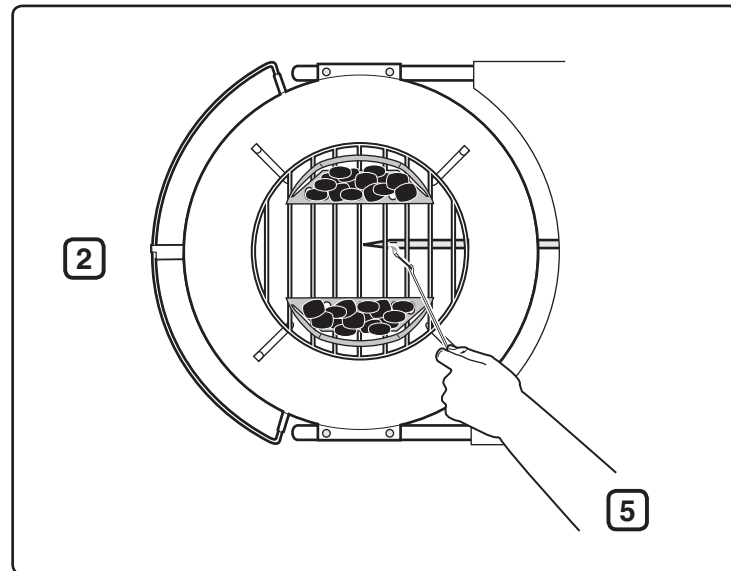
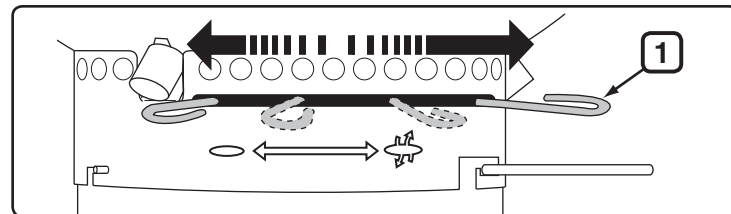
⚠ DANGER

Ouvrez le couvercle avant de procéder à l'allumage. N'utilisez aucun liquide inflammable comme du fluide de démarrage, du pétrole, de l'alcool ou toute autre forme de charbon de bois qui s'allume tout seul à aucun moment, notamment pendant l'allumage manuel. Le non respect de cette consigne risquerait de provoquer des blessures graves voire un décès.

- A) Retirez le couvercle du grill avant d'utiliser la fonctionnalité d'allumage au gaz.
- ⚠ **DANGER** : Le non respect de cette consigne risque de provoquer une accumulation de gaz susceptible de provoquer un incendie ou une explosion qui pourraient provoquer des blessures graves voire un décès, ou des dégâts matériels.
- B) Ouvrez les registres en bas de la cuve (1).
- C) Éloignez les paniers Char-Baskets du brûleur (2).
- D) Enfoncez les languettes sur le couvercle de la commande du gaz (3) et soulevez pour l'ouvrir.
- E) Placez une allumette dans le porte-allumette. Allumez l'allumette.
- F) Ouvrez l'arrivée de gaz (sens inverse des aiguilles d'une montre) en faisant au moins un tour complet (4).
- G) Positionnez la flamme de l'allumette à l'arrière de la fente du brûleur (5).
- ⚠ **MISE EN GARDE** : Ne tenez pas la main directement au-dessus du brûleur pendant l'allumage manuel.
- ⚠ **MISE EN GARDE** : Ne vous penchez pas au-dessus d'un barbecue ouvert pendant que vous l'allumez.
- ⚠ **ATTENTION** : Il peut être difficile de voir la flamme par une journée ensoleillée.
- H) Portez des gants pour barbecue et utilisez des pinces pour repositionner les paniers Char-Baskets sur le brûleur.
- I) Une fois que le charbon de bois est allumé, (environ 5 minutes), positionnez la commande de gaz sur OFF (sens des aiguilles d'une montre) jusqu'à ce que le gaz soit fermé.
- J) Vous pouvez commencer à cuisiner lorsque les bûchettes sont légèrement recouvertes de cendres grises (environ 25-30 minutes).

POUR ÉTEINDRE

Fermez l'arrivée de gaz en tournant la commande du gaz dans le sens des aiguilles d'une montre jusqu'à ce que le gaz soit fermé.



DEPANNAGE

VERIFICATION	PROBLEME	SOLUTION
Le brûleur brûle avec une flamme jaune ou orange, associée à une odeur de gaz.	Inspectez le brûleur afin de détecter une obstruction potentielle.	Nettoyez le brûleur. (Voir la Section "Maintenance")
Le brûleur ne s'allume pas ou la flamme est faible.	Le combustible PL est-il à un niveau faible ou vide ?	Remplacez la bouteille de PL.
	Le tuyau du combustible est-il plié ou faussé ?	Redressez le tuyau du combustible.
	Le brûleur s'allume-t-il à l'aide d'une allumette ?	Si vous parvenez à allumer le brûleur avec une allumette, alors vérifiez le système d'allumage.
	Le raccord entre le tuyau et le tube du brûleur est-il correctement fixé ?	Connectez le tuyau de gaz au tube du brûleur en utilisant la pince de retenue métallique fournie. ⚠ DANGER : N'utilisez la fonctionnalité d'allumage du gaz si la pince de retenue est manquante. Une pince de retenue manquante peut provoquer une blessure grave voire un décès ainsi que des dégâts matériels. Veuillez contacter le Service clientèle pour obtenir une pince de retenue de rechange.
La forme de la flamme du brûleur est irrégulière.	Le brûleur est-il propre ?	Nettoyez le brûleur. (Voir la Section "Maintenance")
L'intérieur du couvercle semble "peler." (Ressemble à de la peinture qui s'écaille.)	Ce que vous voyez, c'est de la graisse carbonisée qui s'est transformée en charbon et qui se détache en formant des flocons. CE N'EST PAS UN DEFAULT.	Nettoyez de manière approfondie. (Voir la Section "Nettoyage")
Si les problèmes ne peuvent pas être corrigés en utilisant ces méthodes, veuillez contacter le Représentant du Service clientèle de votre région en utilisant les coordonnées à votre disposition sur notre site Internet. Connectez-vous sur www.weber.com ®.		

MAINTENANCE

Après une période d'inutilisation, nous vous recommandons d'effectuer les procédures de maintenance suivantes pour votre sécurité.

- Vérifiez le tuyau avant chaque utilisation du barbecue afin de détecter les entailles, les fissures, les abrasions ou les coupures. Si le tuyau ne s'avère pas réparable, n'utilisez pas le barbecue. Remplacez les pièces uniquement par des pièces de rechange homologuées par Weber®. **Contactez le Représentant du Service clientèle de votre région grâce aux coordonnées à votre disposition sur notre site Internet. Connectez-vous sur www.weber.com.**

⚠ ATTENTION : Si le tuyau à gaz du barbecue est détérioré de toute manière ou s'il fuit, n'utilisez pas le barbecue.

- Inspectez le brûleur pour vérifier si l'aspect de la flamme est correct (voir le section Aspect de la flamme du brûleur). Nettoyez, si nécessaire, conformément aux procédures présentées dans cette section.
- Vérifiez tous les raccords de gaz afin de détecter les fuites. voir la section "Déterminez les fuites de gaz".

NETTOYAGE PERIODIQUE

Pour retirer les cendres de la cuve, déplacez la tige de contrôle (1) d'un côté à l'autre de manière que les lames du registre balayent les cendres à travers les aérations de la cuve vers l'attrape-cendres.

⚠ ATTENTION : Assurez-vous que le brûleur est éteint (OFF) et que le barbecue a refroidi avant de le nettoyer.

N'élargissez pas les fentes du brûleur pendant que vous le nettoyez.

Pour nettoyer le brûleur :

- Brossez l'extérieur du tube du brûleur (2) et la section des fentes du brûleur (3) avec une brosse métallique.

⚠ ATTENTION : N'élargissez pas les fentes du brûleur ou l'orifice du gaz pendant que vous nettoyez.

Pour nettoyer la cuve :

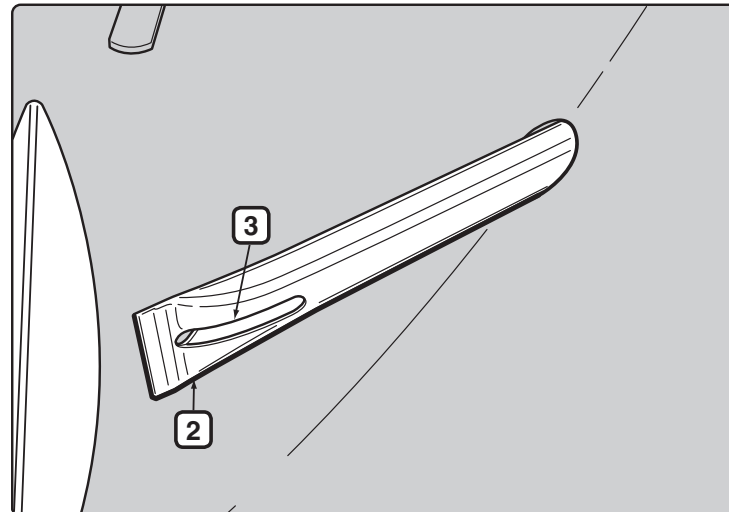
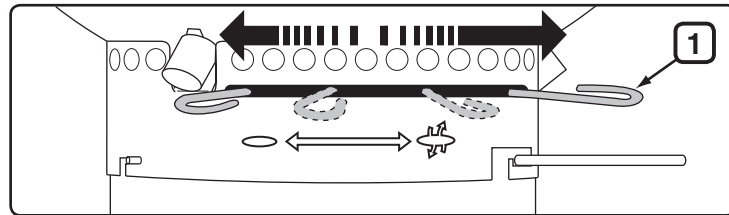
- Pendant que le couvercle est chaud, essuyez l'intérieur avec une serviette en papier pour empêcher les accumulations de graisses.
- Pour les surfaces extérieures, utilisez une solution d'eau savonneuse chaude et rincez bien à l'eau claire.

Pour un nettoyage plus approfondi (à faire au moins une fois par an) :

- Retirez les cendres une fois que les braises sont complètement éteintes.
- Retirez les grilles et les paniers Char-Baskets™.
- Essuyez avec des serviettes en papier. Lavez à l'aide d'un détergent doux. Rincez bien à l'eau claire et essuyez pour sécher.

STOCKAGE

- Lorsque le Grill Performer est stocké à l'intérieur, l'arrivée de gaz doit être déconnectée et la bouteille de PL rangée à l'extérieur dans un espace bien ventilé.
- Les bouteilles de PL doivent être stockées dehors dans une zone bien ventilée hors de portée des enfants et elles ne doivent pas être stockées dans un bâtiment, un garage ou toute autre zone confinée.
- Après une période de stockage et/ou d'inutilisation, le barbecue devrait faire l'objet d'une vérification afin de détecter les fuites de gaz et toute obstruction à la circulation de l'air ou du gaz dans le tube du brûleur avant utilisation (voir la section "Maintenance").
- Vérifiez que les zones situées autour de la bouteille, du tuyau et de l'assemblage du brûleur ne comportent aucun débris susceptibles de faire obstruction à la circulation du gaz ou de l'air avant utilisation.



ALERTE CONTRE LES INSECTES

Votre Grill Performer, comme tout appareil à gaz d'extérieur, est une cible pour les araignées et les insectes. Ils peuvent nicher dans la section des aérations (1) du tube du brûleur provoquant le reflux du gaz par les aérations.

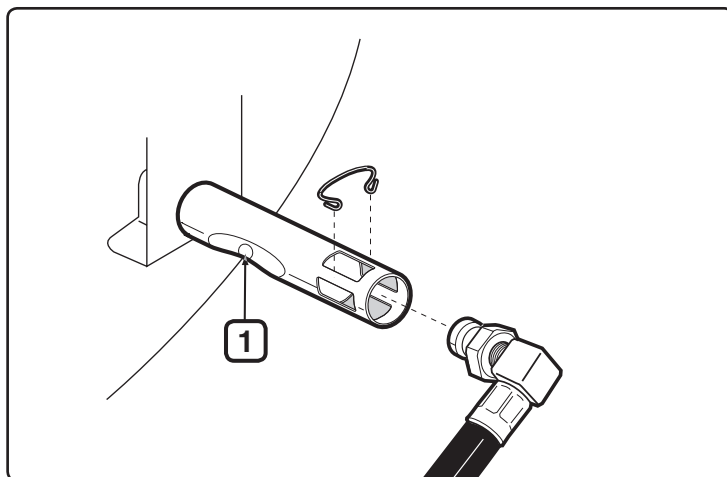
Ceci pourrait provoquer un incendie dans et autour du tube du brûleur au-dessous du panneau de la cuve. Cela peut détériorer gravement votre barbecue, rendant ainsi son utilisation dangereuse.

Nous vous recommandons fortement d'inspecter et de nettoyer le tube du brûleur au moins une fois par an, ou si vous remarquer l'un des symptômes suivants :

- A) Une odeur de gaz en même temps que les flammes semblent très jaunes et peu fournies.
- B) Le brûleur émet des bruits.

⚠ DANGER

Le fait de ne pas corriger ces symptômes pourrait provoquer un incendie susceptible de provoquer des blessures graves voire un décès ainsi que des dégâts matériels.

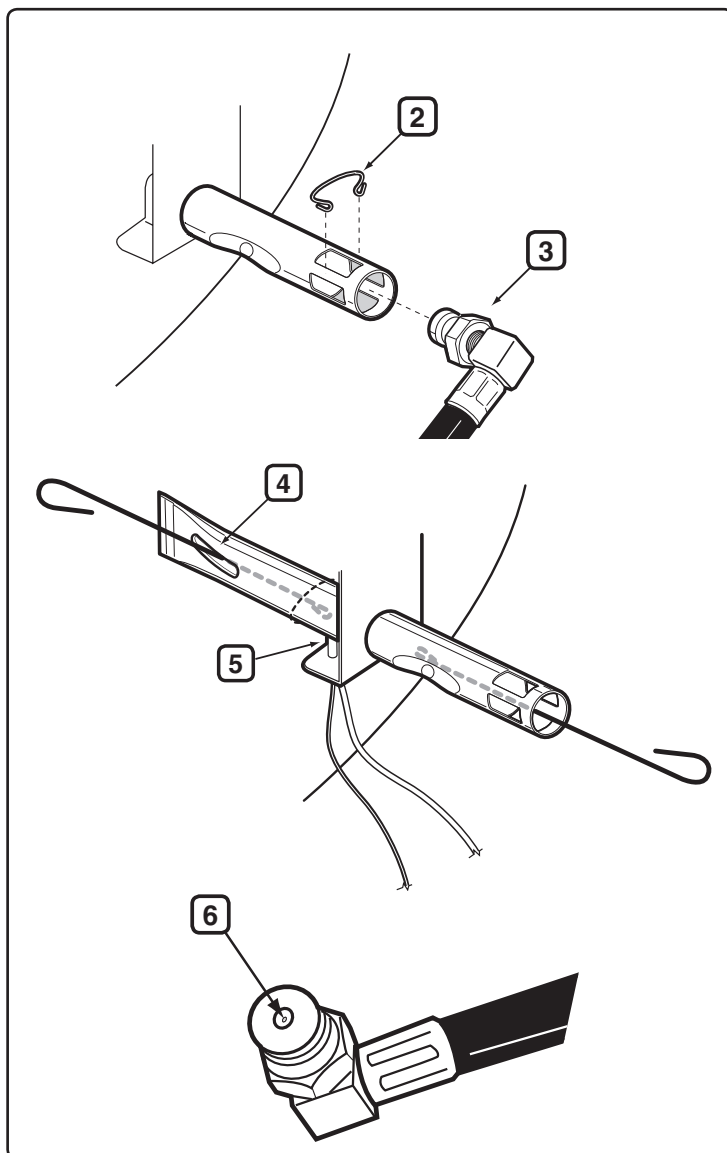


INSPECTION ET NETTOYAGE DU BRULEUR

- A) Positionnez le gaz sur OFF.
 - B) Retirez le Récipient de stockage CharBin™.
 - C) Retirez la pince de l'orifice (2) et le raccord du tuyau (3) du tube du brûleur.
 - D) Regardez à l'intérieur du brûleur à l'aide d'une lampe torche.
 - E) Nettoyez l'intérieur du brûleur à l'aide du support du porte-allumette en fil de fer (fourni).
- Utilisez le fil de fer pour nettoyer la zone des aérations, la section d'aération venturi et les fentes du brûleur (4) sur l'intérieur de la cuve. Faites attention lorsque vous insérez l'outil de nettoyage du brûleur afin de ne pas détériorer l'électrode de l'allumeur (5).
- F) Vérifiez à nouveau à l'aide de la lampe torche pour vérifier qu'il n'y a pas d'obstruction.
 - G) Si nécessaire, la surface du raccord du tuyau peut être nettoyée à l'aide d'une brosse de cuivre. L'orifice (6) peut être nettoyé à l'aide d'une petite épingle.

⚠ ATTENTION : N'élargissez pas l'orifice lorsque vous nettoyez.

- H) Remontez l'ensemble en inversant les étapes B et C.

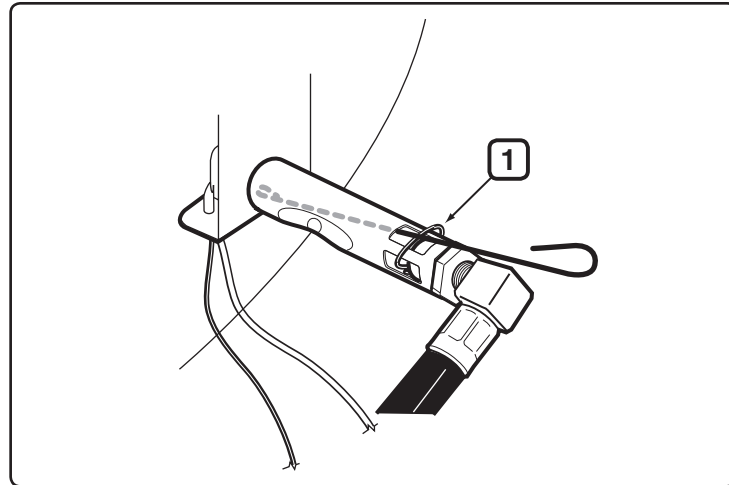


NETTOYAGE RAPIDE PERIODIQUE

Nous vous recommandons de brosser régulièrement l'extérieur des fentes du brûleur avec une brosse métallique et de nettoyer le tube du brûleur à travers l'aération de circulation de l'air nécessaire à la combustion à l'aide de l'outil que nous avons fourni.

Vous pouvez le faire en localisant l'aération de circulation de l'air nécessaire à la combustion (1) au-dessous du support de la cuve et en insérant l'outil à travers chaque aération de circulation de l'air nécessaire à la combustion, en faisant pivoter l'outil. Soyez prudent lorsque vous insérez l'outil de nettoyage du brûleur afin de ne pas détériorer l'électrode de l'allumeur.

⚠ ATTENTION : Il est important d'augmenter la fréquence de cette procédure de nettoyage pendant les mois de printemps et d'été.

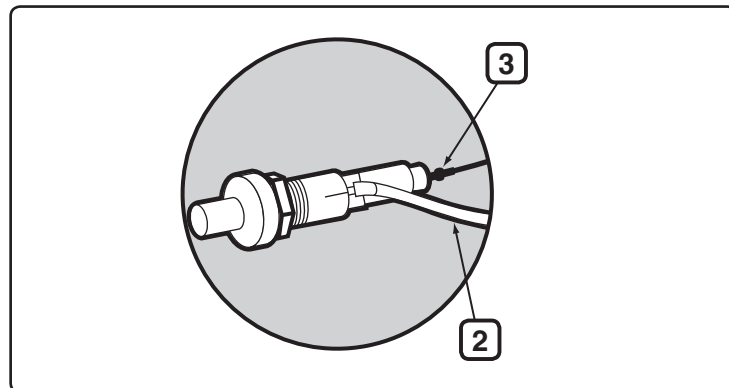


SYSTEME D'ALLUMAGE

Si le système d'allumage n'allume pas le brûleur, allumez-le manuellement. Si l'allumage manuel est réussi, vérifiez ensuite le Dispositif d'allumage.

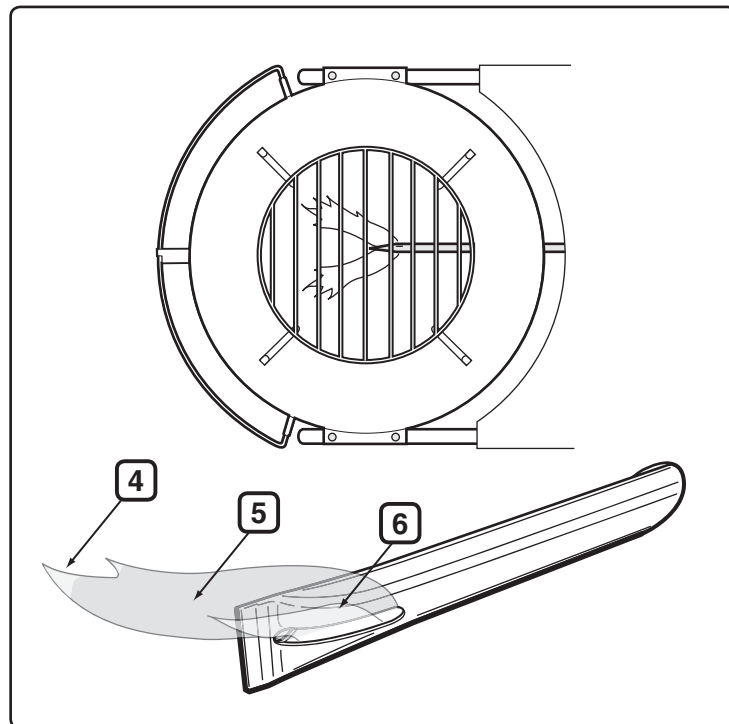
- Vérifiez que les deux câbles d'allumage, le blanc (2) et le noir (3) sont correctement fixés.
- Vérifiez que le bouton de l'allumeur s'enfonce complètement et qu'il revient en place.
- Vérifiez pour voir si l'allumeur est lâche dans son cadre. Serrez si nécessaire ; voir l'étape "Installez l'allumeur" pour la procédure correcte.

Si le Dispositif d'allumage n'allume toujours pas le brûleur, utilisez la procédure d'Allumage manuel et contactez votre revendeur.



ASPECT DE LA FLAMME DU BRULEUR

Le brûleur a été réglé en usine pour obtenir le mélange correct d'air et de gaz. L'aspect correct de la flamme devrait présenter des extrémités plutôt jaunes (4) du bleu foncé au milieu (5), et du bleu clair au niveau du tube du brûleur (6). Si les flammes n'apparaissent pas comme indiqué, ou si des bruits de "pop" sont émis, suivez les procédures de nettoyage du brûleur.





WEBER-STEPHEN PRODUCTS CO.
www.weber.com[®]

©2010 Designed and engineered by Weber-Stephen Products Co.,
an Illinois corporation, located at 200 East Daniels Road, Palatine, Illinois 60067 U.S.A.

Printed in U.S.A.