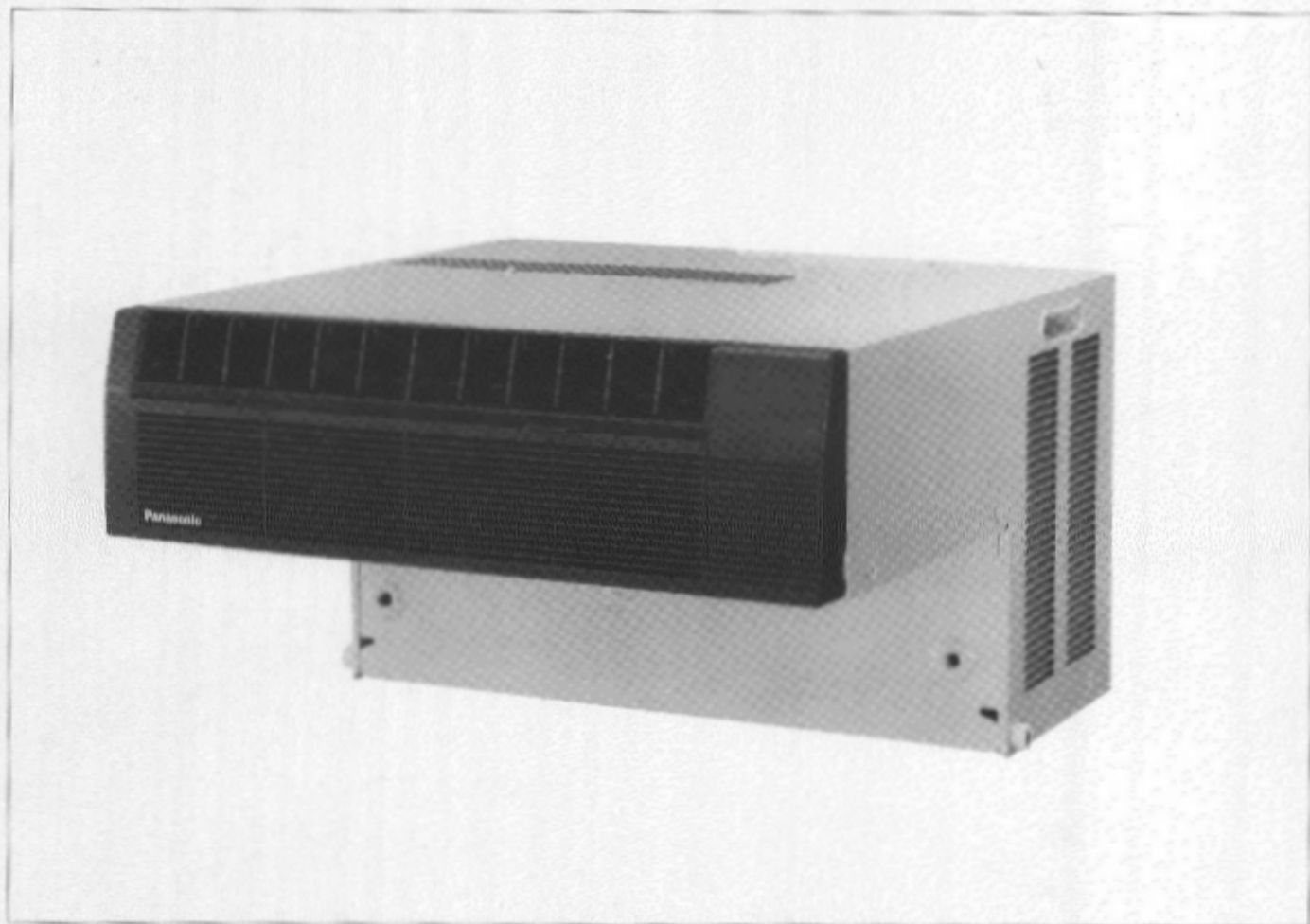


Operating Instructions

ROOM AIR CONDITIONERS

MODEL **CW-802HU**



Panasonic.

Before operating this unit, please read these instructions completely.

CWF56520

IMPORTANT SAFEGUARDS

The following are important instructions to be observed to prevent malfunctions or serious problems with your air conditioner.

- 1 Install the air conditioner by following the installation instructions enclosed with the product
- 2 Do not modify any parts of this product
- 3 Do not operate the unit without an air filter
- 4 Do not put sticks, rods, etc , into any parts of the unit
- 5 Do not obstruct the air intake of the evaporator with a curtain or window blind, as it may result in insufficient cooling power
- 6 Operate your air conditioner from a stable 115 Volt AC power supply
- 7 Use a 15 amp rated grounded outlet only
- 8 Use of Extension Cords
Extension cords of any kind should not be used. If there is no alternative, the cord should be a UL listed 3-wire grounding type, rated 125 volts with a minimum current carrying rating of 15 amps-number 14 or heavier wire
- 9 Do not install the unit close to any places where inflammable gas, fumes or soot may be generated
- 10 Do not unplug the unit while it is operating

SAVE THESE INSTRUCTIONS

CUSTOMER'S RECORD

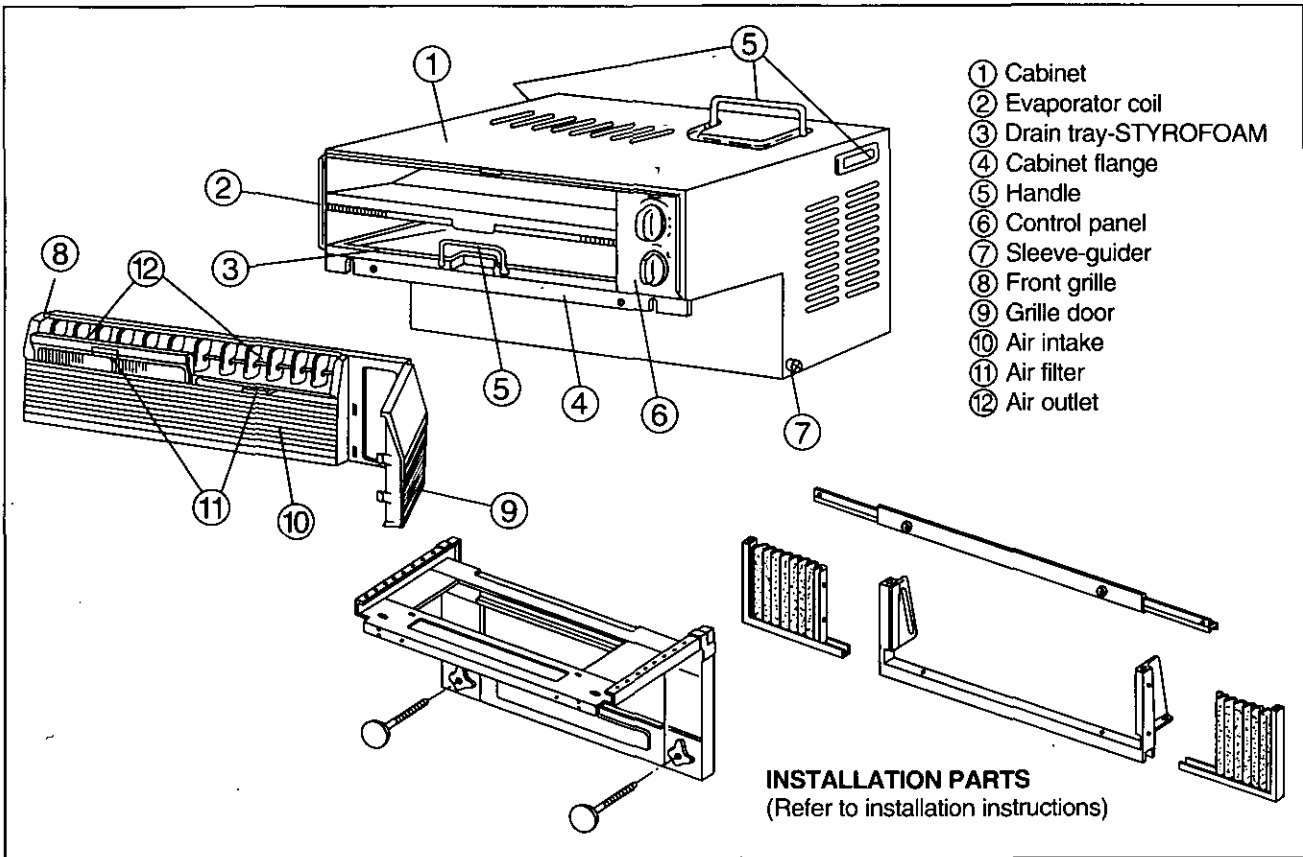
You should note both the model and serial numbers of this product in the spaces provided. Retain this book along with a copy of your purchase receipt for future reference.

Model Number _____
Serial Number _____
Dealer's Name _____
Date Purchased _____

TABLE OF CONTENTS

	Page
Product Component Identification	2
Front Grille Installation	2
How to Operate	3
Air Direction Control	3
Care and Maintenance	4
Before Calling for Service	4
Product Specifications	5

PRODUCT COMPONENT IDENTIFICATION

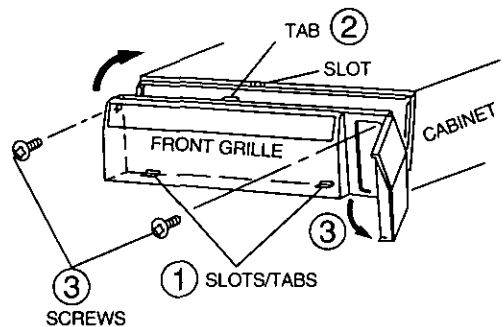


INSTALL THE GRILLE

The GRILLE is attached in front of the cabinet by inserting three tabs into three slots and then securing with two screws.

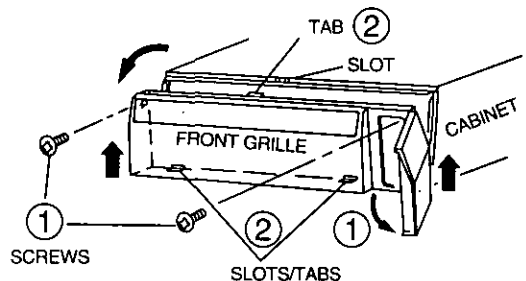
HOW TO ATTACH THE FRONT GRILLE

- STEP ① Engage two slots on the grille's bottom edge with two tabs in the cabinet bottom front edge.
- STEP ② Carefully push the grille in until the tab on top inside edge of the grille engages with the slot in the cabinet top front edge.
DO NOT STRIKE OR FORCIBLY HIT THE PLASTIC GRILLE OTHERWISE DAMAGE TO THE TABS MAY OCCUR.
- STEP ③ Open the grille door and mount the grille on front of the cabinet with two screws attached to the grille during shipping.

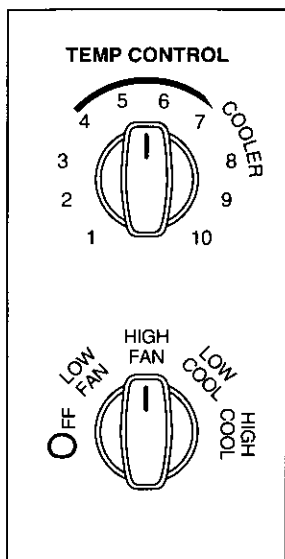


HOW TO REMOVE THE FRONT GRILLE

- STEP ① Open the grille door, and then remove and save two screws that hold the grille to the chassis.
- STEP ② Tilt the Front grille toward you until the top tab is clear of the slot and lift straight upward to disengage the 2 bottom slots from their tabs.
DO NOT PULL THE GRILLE TOWARD YOU MORE THAN SEVERAL INCHES AS DAMAGE TO THE BOTTOM TABS / SLOTS MAY OCCUR.



HOW TO OPERATE



① TEMP CONTROL (Thermostat)

When you turn the TEMP CONTROL to the desired setting, the TEMP CONTROL will automatically control the temperature of the indoor air

The higher the number selected, the cooler the indoor air will be

② MAIN CONTROL SWITCH

OFF	Stops all fan and cooling operation
LOW FAN	Recirculates filtered room air at low speed
HIGH FAN	Recirculates filtered room air at high speed
LOW COOL	Turns on the compressor and the fan at low speed for quiet cooling
HIGH COOL	Turns on the compressor and the fan at high speed for maximum fan speed cooling

Notice

During certain weather conditions the evaporator coil may tend to ice/frost over. This is most liable to occur when the outside temperature drops to approximately the 21°C – 24°C range (low 70's). When this happens, you will notice a decrease in discharge airflow into the room.

To correct this situation, turn the MAIN CONTROL SWITCH to the "HIGH FAN" position to defrost the coil. You may then reset the MAIN CONTROL SWITCH to the "HIGH COOL" position to prevent further frosting at this moment.

***CAUTION :** If the MAIN CONTROL SWITCH is turned off or turned to the fan selection, during any cooling operation setting, "WAIT" at least 3 minutes before resetting to any cooling operation again.

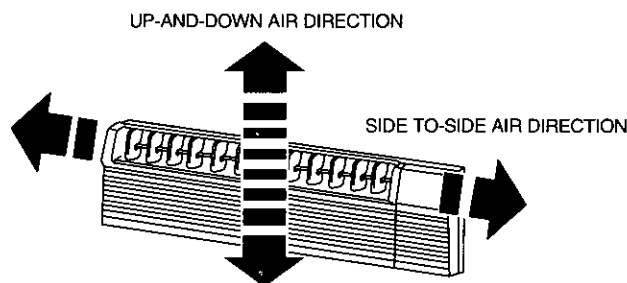
AIR DIRECTION CONTROL

Up-and-Down

Two separate banks of Up-and-Down air direction louvers have separate tabs to let you direct discharged air upward, downward or straight out.

Side-to-Side

Two separate banks of Side-to-Side air direction louvers are controlled by fingertip pressure. They regulate air discharge to the right, to the left or straight out.

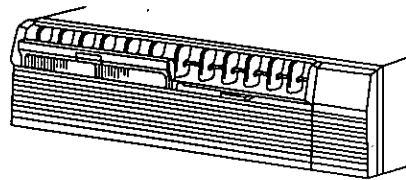


CARE AND MAINTENANCE

1. CLEANING THE AIR FILTER

To assure continued peak efficiency of your air conditioner, the air filter should be cleaned at least once every two weeks (more often if local conditions warrant). Remove the air filter, and then use a vacuum cleaner to clean the filter on its dusty side or wash softly with running water, applying the water flow from the cleaner side of the filter to wash out the accumulated dust and lint.

Mild detergent may be used to clean the air filter if it is very dirty. When the air filter is washed in water, it must be dried well before re-using. You may also carefully press the filter dry between 2 bath towels.



To remove the air filter

Grasp the tab on the filter and pull toward you to clear the filter edge of the grille stool. And then pull it upward.

When replacing the filter, be sure the tab is facing you as you slide the filter back into place.

2. CLEANING THE CABINET AND THE FRONT GRILLE

To clean the front grille and the cabinet, wipe with a clean soft cloth.

To remove stubborn soil, use a soft cloth or sponge dampened with a mild non-abrasive detergent. NEVER USE ANY HARSH CLEANERS as they may damage or scratch the product.

BEFORE CALLING FOR SERVICE

Listed below are most of the common causes for customer complaints concerning room air conditioners. By checking each of these items carefully, you may avoid an unnecessary service call.

WHEN THE AIR CONDITIONER DOES NOT OPERATE:

1. Is the air conditioner plugged into the receptacle properly?
2. Is the air conditioner connected to a "live" receptacle supplying the proper voltage?
3. Is the fuse blown or is the circuit breaker off?
4. Is there a local power failure? Check by switching on a light.
5. Has the air conditioner been accidentally switched off? If so, please refer to operation instruction of the relevant model.

AIR CONDITIONER OPERATES, BUT DOES NOT COOL PROPERLY

1. Is the main control switch set properly?
2. Is the temp control dial set properly to provide the desired temperature?
3. Are there more than the usual number of people in the room?
4. Is the air circulation impeded by drapes, furniture, etc., or by an improper louver setting?
5. Are the doors or windows open, or is there an unusual source of heat in the room?
6. Is the air filter clean so that it will not obstruct the air flow?
7. Have all the steps outlined in the Installation Instructions been followed?
8. Is the evaporator frosted? Frosting of the evaporator may occur during the spring and autumn months if there is a considerable temperature drop overnight, or during cool weather, or if the air conditioner is operated at the lower end of the temp control setting for example under 65°F. If so, turn the main switch to "HIGH FAN". The fast air circulation will quickly defrost the coil so that normal cooling operation may be resumed.

OTHER PROBLEMS

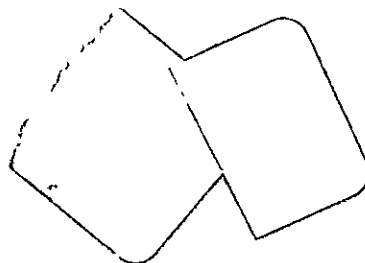
1. Water Dripping Inside
Is the air conditioner installed level or tilted slightly to the outside for proper water disposal?
2. Water Dripping Outside
Is it an exceptionally hot or cold and humid day? In this case it should be considered normal.

If the trouble persists after you have checked all of these, call your authorized Panasonic dealer or Servicenter. Service information can be obtained 24 hours/day by calling 1-800-545-2672.

PRODUCT SPECIFICATIONS

MODELS			CW-802HU
COOLING CAPACITY	Btu/h		8,000
ELECTRICAL	Phase		Single
RATING	Cycle	(Hz)	60
	Voltage	(V)	115
	Current	(Amps)	7.5
	Input	(Watts)	875
EER	(Btu/Watt-h)		9.1
MOISTURE REMOVAL	(Pints/h)		2.7
ROOM AIR CIRCULATION	(Cf/min)		190
DIMENSIONS	Height	(Inches)	13-13/32 (6-1/2 Indoor)
	Width	(Inches)	22
	Depth	(Inches)	23-5/8
NET WEIGHT	(lbs)		77
GROSS WEIGHT	(lbs)		106

*Specifications are subject to change without notice



Panasonic®

Panasonic Company
Home Appliance Group
Division of Matsushita Electric
Corporation of America
One Panasonic Way
Secaucus, N J 07094
(201) 348-7000

Panasonic Company (West) of America,
Division of Matsushita Electric
Corporation of America
6550 Katella Ave
Cypress CA 90630

Panasonic Sales Company
Division of Matsushita Electric
of Puerto Rico Inc (PSC)
San Gabriel Industrial Park
65th Infantry Ave Km 9 5
Carolina, P R 00630
(809) 750-4300

F56520 (SG)

©Matsushita Electric Industrial Co. Ltd.
All Rights Reserved. Unauthorized
Copying and Distribution is a
Violation of Law.

Printed in U S A