

This Owner's Manual is provided and hosted by [Appliance Factory Parts](#).



# PANASONIC MC-CG902 Owner's Manual

[Shop genuine replacement parts for PANASONIC  
MC-CG902](#)



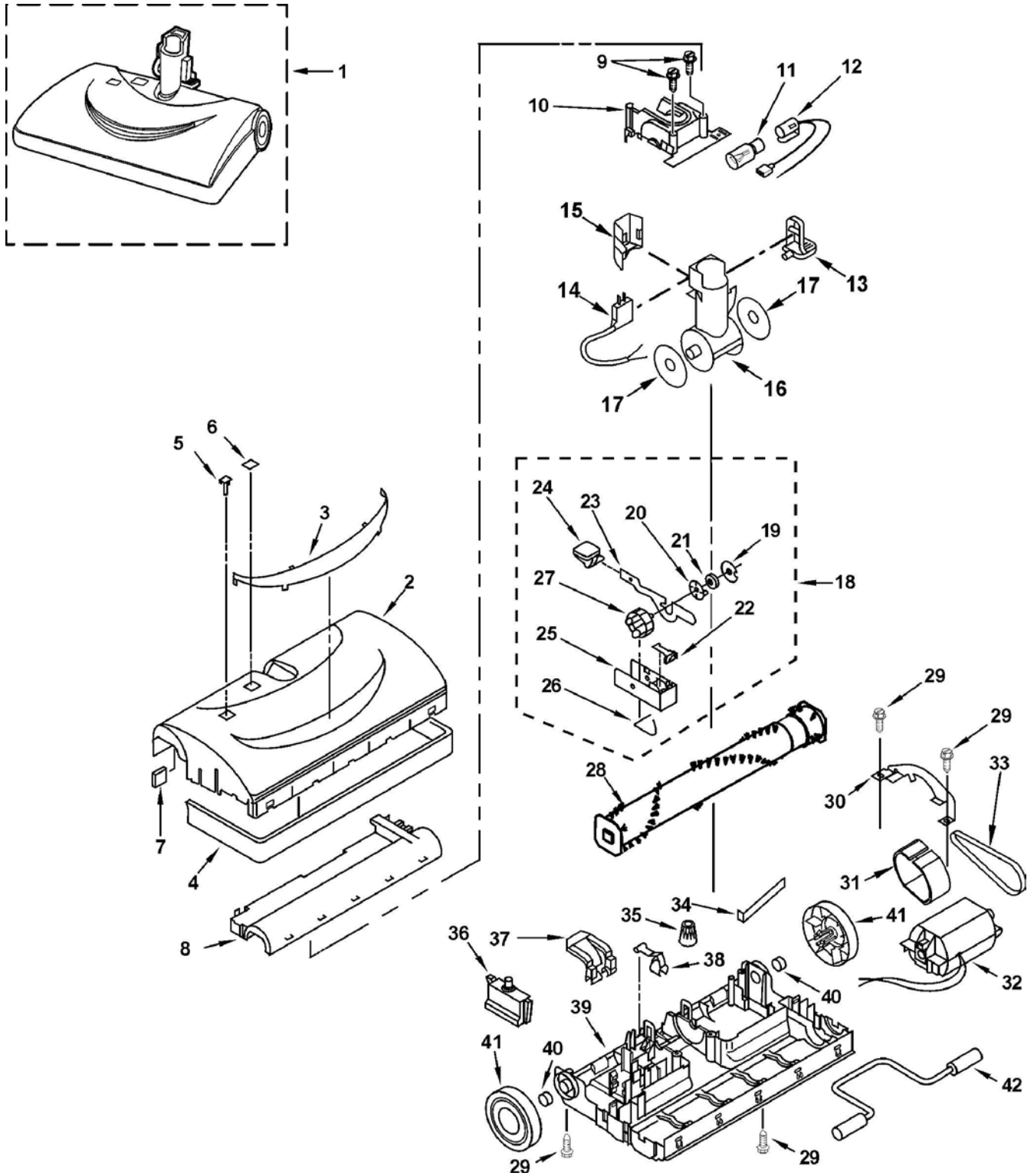
[Find Your PANASONIC Vacuum Cleaner Parts - Select From 605 Models](#)

----- Manual continues below -----

## 2 EXPLODED VIEW AND PARTS LIST

### 2.1. Power Nozzle

#### 2.1.1. Exploded View

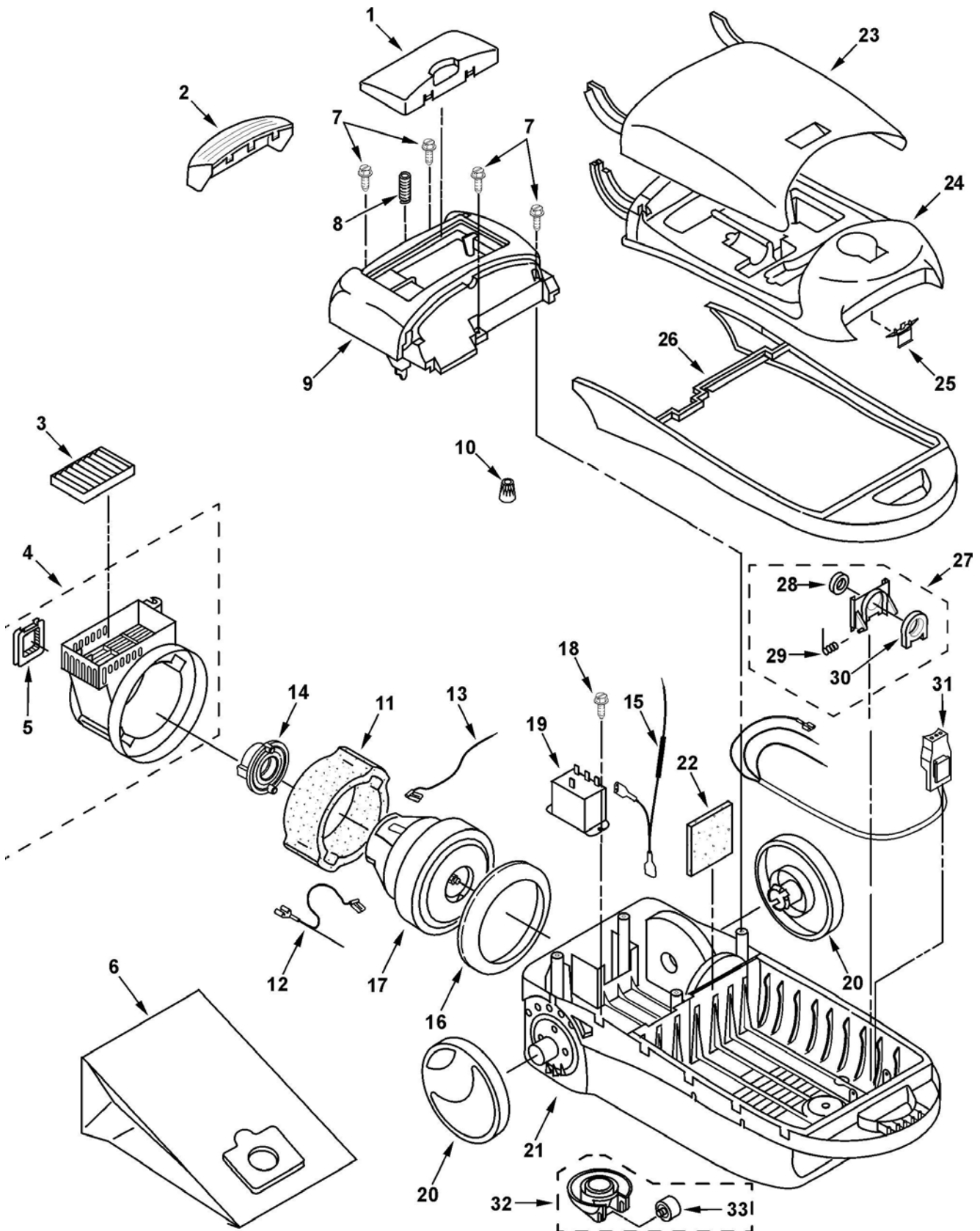


## 2.1.2. Parts List (Power Nozzle)

Ref. No.	Part No.	Part Name & Description	Remarks	
1	AC50XDMKZR03	POWER NOZZLE ASSEMBLY	1	
2	AC02RDGBZR03	NOZZLE TOP	1	
3	AC21HAKTZ000	WINDOW COVER	1	
4	AC10AAKTZV06	FURNITURE GUARD	1	
5	AC13DAUJZVU6	BUTTON EXTENSION	1	
6	AC21HGJZ00	LENS HEIGHT ADJUST	1	
7	AC37KAKSZ000	FILTER-INTAKE/EXHAUST		
8	AC01QAKTZW03	AGITATOR COVER	1	
9	AMC681-550	SCREW		
10	AC62VAKTZV06	SWIVEL CAP	1	
11	AC28GADFZ00	LIGHT BULB	1	
12	AC93HDAYZ000	BULB SOCKET	1	
13	AC47AATYZV06	FOOT PEDAL	1	
14	AC64EAWBZV06	CORD & PLUG	1	
15	AC13DATYZV06	COVER PLUG HOUSING	1	
16	AMC415-3196	SWIVEL	1	
17	AMC742-019	SWIVEL SEAL		
18	AC83MAKSZV06	INDICATOR BLOCK ASSEMBLY	1	
19	AMC722-909	WASHER THRUST	1	SHIPPED 10 PER PACKAGE
20	AMC722-955	CATCH-INDEKING	1	
21	AMC725-635	WASHER	1	SHIPPED 10 PER PACKAGE
22	AMC742-016	RATCHET-CATCH	1	
23	AMC747-287	INDICATOR LEVER	1	
24	AC48AMGZV06	PAD FOOT PEDAL	1	
25	AMC742-015	INDICATOR BLOCK	1	
26	AMC725-775	SPRING ASSIST	1	
27	AMC747-291	CAM INDICATOR	1	
28	AC84RBZMZ000	AGITATOR	1	
29	AMC681-297	SCREW		
30	AMC705-093	MOTOR BRIDGE	1	
31	AC747156	MOTOR GASKET	1	
32	AC90FCUZZ000	MOTOR	1	
33	AC28SAXAZ000	BELT MICRO GROOVE	1	
34	AMC742-002	MOTOR ADJUST SPRING	1	
35	AMC-1CTCE23	WIRE CONNECTOR		SHIPPED 10 PER PACKAGE
36	AC97KAXEZV04	OVERLOAD PROTECTOR	1	
37	AC47AGJZV06	HANDLE RELEASE	1	
38	AMC742-013	LIFTER	1	
39	AC03RAKTZU01	FLOOR NOZZLE	1	
40	AC64CAKTZ000	BUSHING	2	
41	AC01CAKSZV06	WHEEL	2	INCLUDES ITEM 40 BUSHING
42	AMC744-029	FRONT AXLE	1	

## 2.2. Canister

### 2.2.1. Exploded View

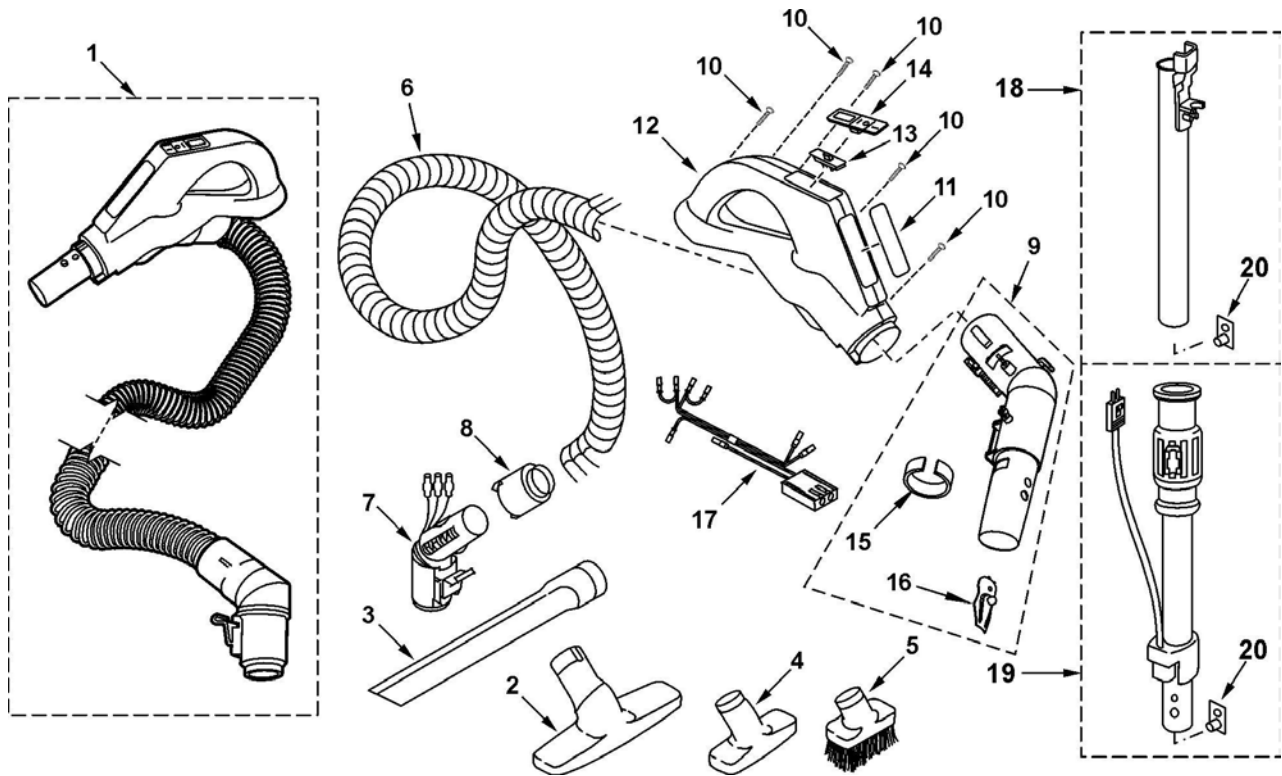


## 2.2.2. Parts List

Ref. No.	Part No.	Part Name & Description	Quantity	Remarks
1	AC41KBAKZR03	FILTER COVER	1	
2	AC46NAKTZV06	CORD REWIND BUTTON	1	
3	AC38KBRMZ000	HEPA FILTER	1	
4	AC93FAUXZ000	MOTOR ENCLOSURE	1	
5	AC03FAKTZ000	MOTOR RUBBER SUPPORT	1	
6	P-MC150M	DUST BAG	1	
7	AMC414-8999	SCREW	1	SHIPPED 10 PER PACKAGE
8	AMC744-258	SPRING	1	
9	AC90QCZSZR03	CANOPY COVER	1	
10	AC4154460	WIRE CONNECTOR	1	SHIPPED 10 PER PACKAGE
11	AC99GAKTZ000	NOISE SUPPRESSOR	1	
12	AC85GDMKZ000	LEAD WIRE - BLACK	1	
13	AC43GDGBZ000	LEAD WIRE - WHITE	1	
14	AC03FAXAZ000	MOTOR REAR SUPPORT	1	
15	AC81GAWAZ000	LEAD WIRE ASSEMBLY	1	
16	AC02FCUNZ000	MOTOR FRONT SUPPORT	1	
17	AC92FCJNZ000	MOTOR	1	
18	AMC-XTN4+14BFY	SCREW	1	SHIPPED 10 PER PACKAGE
19	AC30EAWPZ000	RELAY	1	
20	AC99CAKTZV07	WHEEL	1	
21	AC03ACZSZV07	LOWER BODY	1	
22	AC37KAKTZ000	SECONDARY FILTER	1	
23	AC74PDMKZR03	TOOL COVER	1	
24	AC60KCRXZR03	HOOD	1	
25	AC01DAKTZV07	BUCKLE	1	
26	AC31AAXAZV06	FURNITURE GUARD	1	
27	AC11KAKTZR0K	BAG SUPPORTER ASSEMBLY	1	
28	AC64HAKTZ000	INLET (BAG) PACKING	1	
29	AMC706-024	SPRING, BAG MOUNT ASSEMBLY	1	
30	AC03LAKTZ000	BAG MOUNT GASKET	1	
31	AC90EDBXZ006	RECEPTACLE	1	
32	AC93CAKTZV07	CASTER ROLLER UNIT	1	
33	AC95CAKTZV06	CASTER WHEEL	1	

## 2.3. Hose & Attachments

### 2.3.1. Exploded View

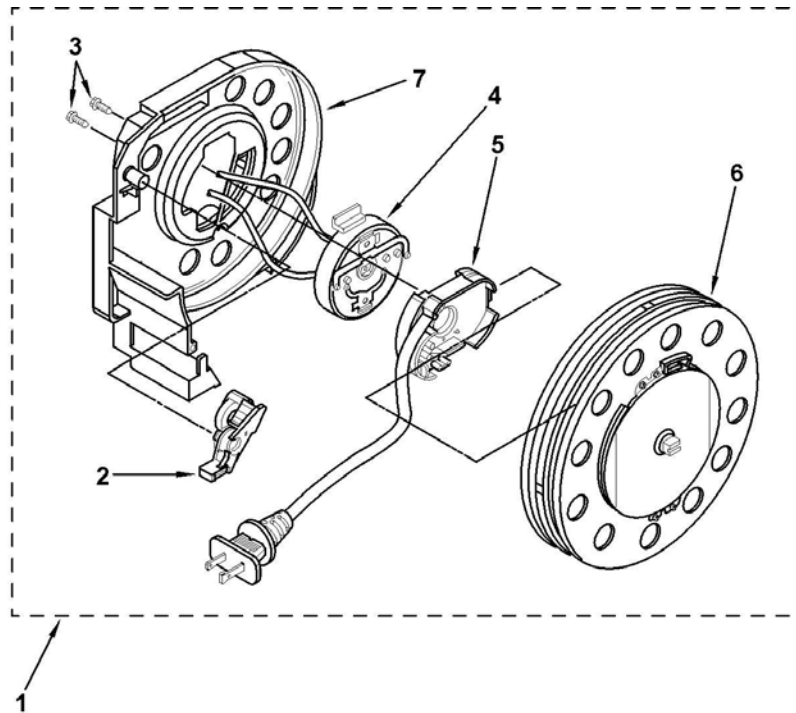


### 2.3.2. Parts List

Ref. No.	Part No.	Part Name & Description	Quantity	Remarks
1	AC94PCHKZV06	HOSE ASSEMBLY	1	
2	AC96RAKZZV06	FLOOR BRUSH	1	
3	AC60RAKZZV06	CREVICE TOOL	1	
4	AC86RAKZZV06	FABRIC BRUSH	1	
5	AC88RAKZZV06	DUSTING BRUSH	1	
6	AC05PSUZV06	HOSE ONLY	1	
7	AC92PCAZZV06	SWIVEL ASSY	1	
8	AC22PAFZZV06	HOSE ADAPTER	1	
9	AC98PSTZV06	CURVED PIPE INIT	1	
10	AXTN4+12BFY	SCREW		SHIPPED 10 PER PACKAGE
11	AC31TBMVZ0U0	ORNAMENTAL PLATE	1	
12	AC93BSTZV06	HANDLE ASSEMBLY	1	
13	AC09ESTZ000	SLIDE SWITCH	1	
14	AC99EAVKZVU7	SLIDE KNOB	1	
15	AC54PAPAZV06	CONTROL SUCTION	1	
16	AMC415-2093	SPRING WAND LOCK	1	
17	AC37GSTZV06	WIRE HARNESS	1	
18	AC97PAENZV06	UPPER WAND	1	
19	AC99PAKSZV06	LOWER WAND	1	
20	AMC725-419	SPRING WAND LOCK	1	SHIPPED 10 PER PACKAGE

## 2.4. Cord Reel

### 2.4.1. Exploded View



### 2.4.2. Parts List

Ref. No.	Part No.	Part Name & Description	Quantity	Remarks
1	AC99NCVAZV06	CORD REEL	1	
2	AC94NAKTZV06	BRAKE LEVER	1	
3	AXTN4+16BFY	SCREW	2	SHIPPED 10 PER PACKAGE
4	AC19NAVAZ000	CONTACT BASE	1	
5	AC98NCVAZ000	CONTACT DISC ASSY	1	
6	AC01NCUHZ000	CORD REEL HUB ASSY	1	
7	AC04ACUHZV07	CORD REEL BRACKET	1	