

This Owner's Manual is provided and hosted by [Appliance Factory Parts](#).



PANASONIC MC-CG985 Owner's Manual

[Shop genuine replacement parts for PANASONIC
MC-CG985](#)



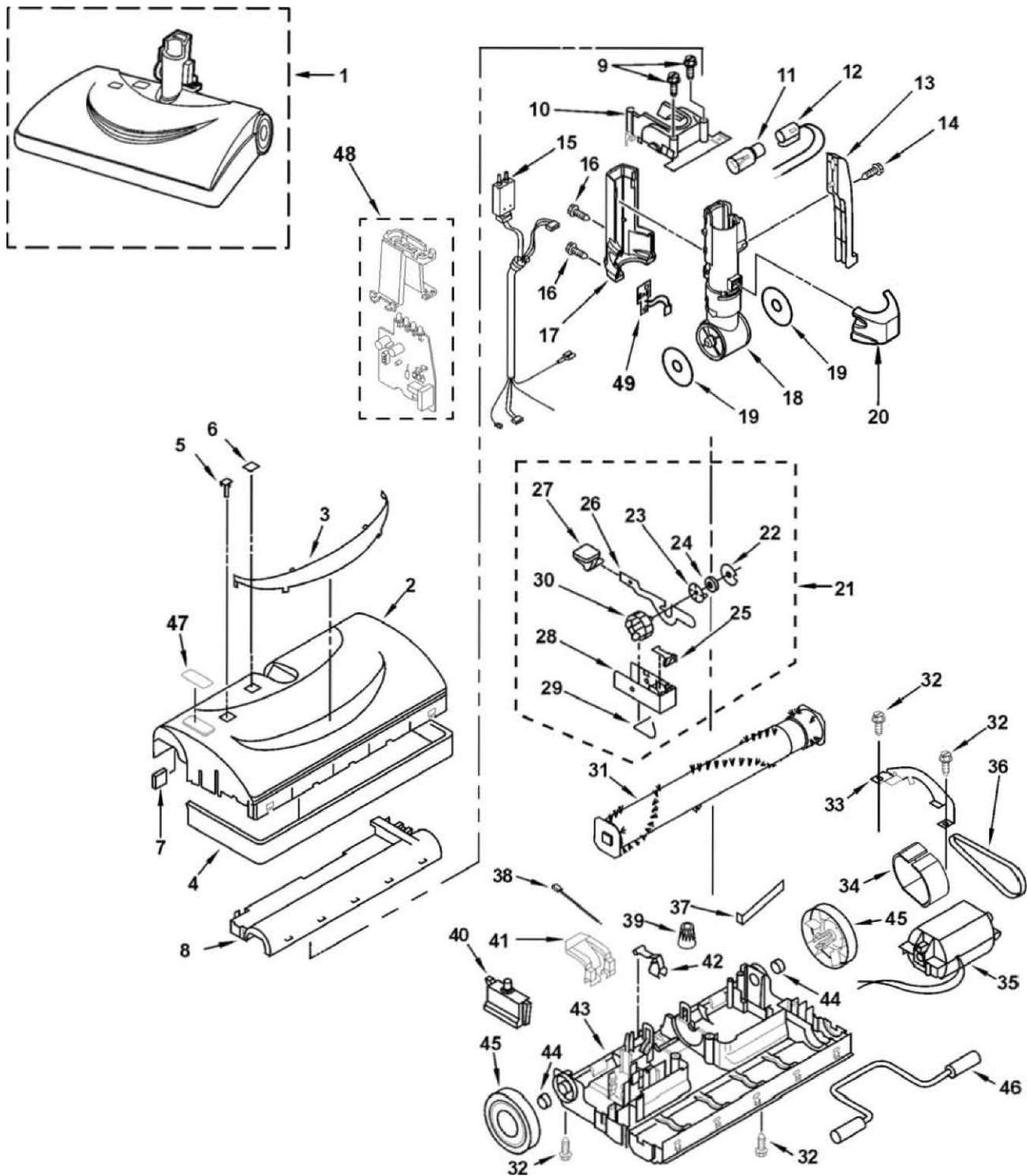
[Find Your PANASONIC Vacuum Cleaner Parts - Select From 605 Models](#)

----- Manual continues below -----

2 EXPLODED VIEW AND PARTS LIST

2.1. Power Nozzle

2.1.1. Exploded View

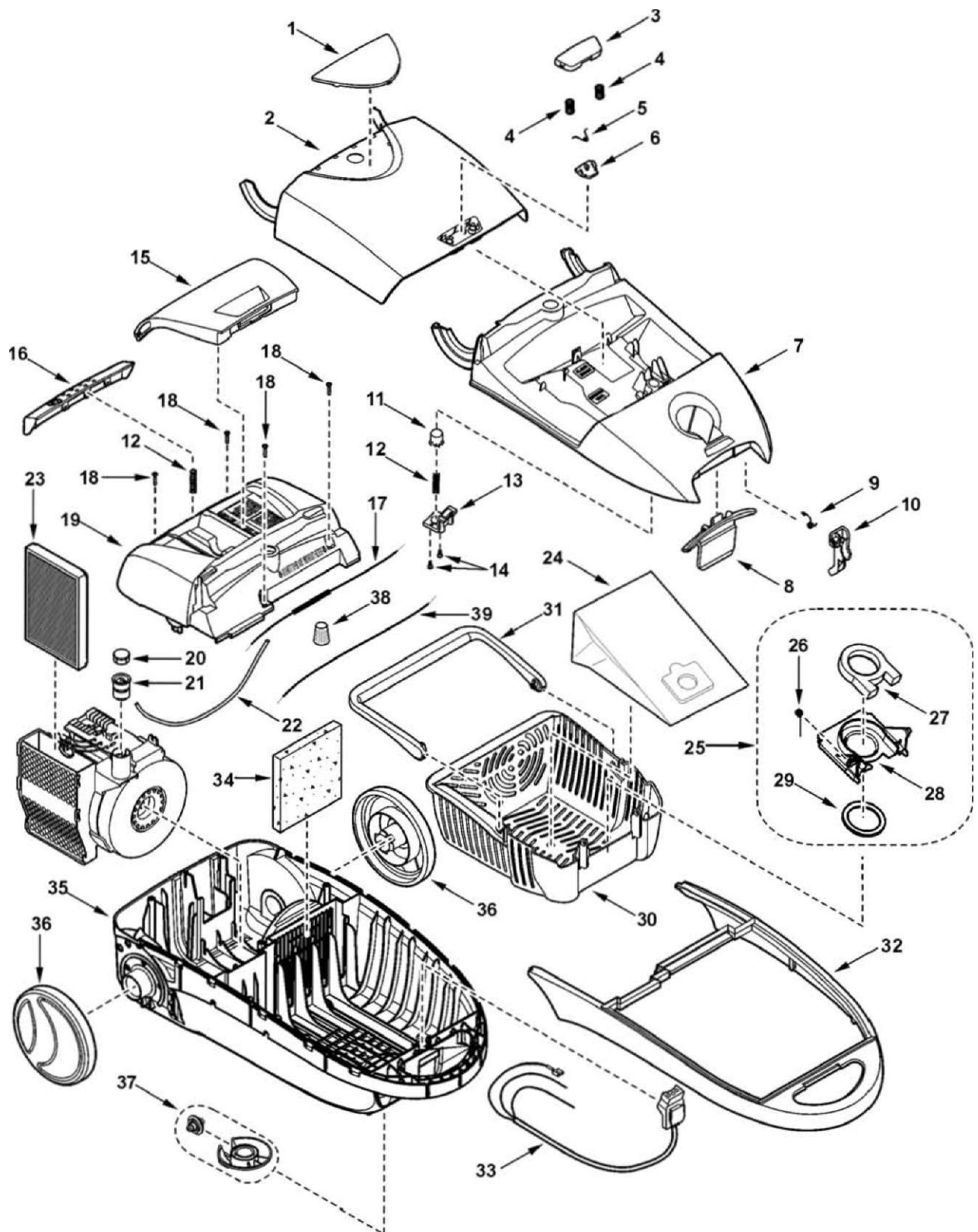


2.1.2. Parts List (Power Nozzle)

Ref. No.	Part No.	Part Name & Description	Quantity	Remarks
1	AC50XDGCZG0S	POWER NOZZLE ASSEMBLY	1	
2	AC02RDGCZGUS	NOZZLE DECO	1	
3	AC21HAKTZ000	WINDOW COVER	1	
4	AC10AAKTZV06	FURNITURE GUARD	1	
5	AC13DAUJZVU6	BUTTON EXT H.S.	1	
6	AC21HGJZ00	LENS HEIGHT ADJ. ASSY COMPLETE	1	
7	AC37KAKSZ000	FILTER-INTAKE/EXHAUST		
8	AC01QAKTZW03	AGITATOR COVER	1	
9	AMC681-550	SCREW ASSY. COMPLETE		
10	AC62VAKTZV06	Swivel Cap Thermal Unit	1	
11	AC28GADFZ00	BULB, LIGHT	1	
12	AC93HABFZ00	BULB SOCKET ASSY COMPLETE	1	
13	AC70QBEXZV06	QUICK RELEASE PEDAL	1	
14	AC68AZAZ00	LOWER PLATE SCREW ASSY. COMP.	1	SHIPPED 10 PER PACKAGE
15	AC67VAXEZV06	LEAD WIRE UNIT	1	
16	AMC-XTN4+24BFY	SCREW ASSEMBLY COMPLETE		SHIPPED 10 PER PACKAGE
17	AC69QAENZV06	REAR COVER	1	
18	AC92PBEXZV06	NOZZLE SWIVEL ASSEMBLY	1	
19	AMC742-019	SWIVEL SEAL ASSY. COMPLETE		
20	AC68QGJZV06	SERVICE FRONT COVER	1	
21	AC83MAKSZV06	INDICATOR BLOCK ASSEMBLY	1	
22	AMC722-909	WASHER THRUST ASSY. COMPLETE	1	SHIPPED 10 PER PACKAGE
23	AMC722-955	CATCH-ININDEXING ASSY. COMP.	1	
24	AMC725-635	WASHER ASSY. COMPLETE	1	SHIPPED 10 PER PACKAGE
25	AMC742-016	RATCHET-CATCH ASSY. COMPLET	1	
26	AMC747-287	INDICATOR LEVER ASSY. COMPLETE	1	
27	AC48AMGZV06	PAD FOOT PEDAL	1	
28	AMC742-015	INDICATOR BLOCK ASSY. COMPLETE	1	
29	AMC725-775	SPRING ASSIST ASSY. COMPLETE	1	
30	AMC747-291	CAM INDICATOR ASSY COMPELTE	1	
31	AC84RBZMZ000	AGITATOR	1	
32	AMC681-297	SCREW ASSY. COMPLETE		
33	AMC705-093	MOTOR BRIDGE ASSY. COMPLETE	1	
34	AC747156	MOTOR GASKET	1	
35	AC90FCBJZ000	MOTOR	1	
36	AC28SAXAZ000	BELT MICRO GROOVE	1	
37	AMC742-002	MOTOR ADJUST SPRING ASSY. CO.	1	
38	AC85GAXEZ000	LEAD WIRE	1	
39	AMC-1CTCE23	WIRE CONNECTOR		SHIPPED 10 PER PACKAGE
40	AC97KAXEZV04	SERVICE OVERLOAD PROTECTOR	1	
41	AC47AGJZV06	HANDLE RELEASE	1	
42	AMC742-013	LIFTER ASSY. COMPLETE	1	
43	AC03RAKTZU01	FLOOR NOZZLE	1	
44	AC64CAKTZ000	BUSHING		
45	AC99CDGBZV06	WHEEL		INCLUDES ITEM 44 BUSHING
46	AMC744-029	AXLE-FRONT ASSY. COMPLETE	1	
47	AC33MGJZ00	WINDOW - DIRT SENSOR	1	INCLUDES ITEM 44 BUSHING
48	AC87GGJZU01	PCB ASSEMBLY	1	
49	AC85VGJZ00	PCB B UNIT	1	

2.2. Canister

2.2.1. Exploded View

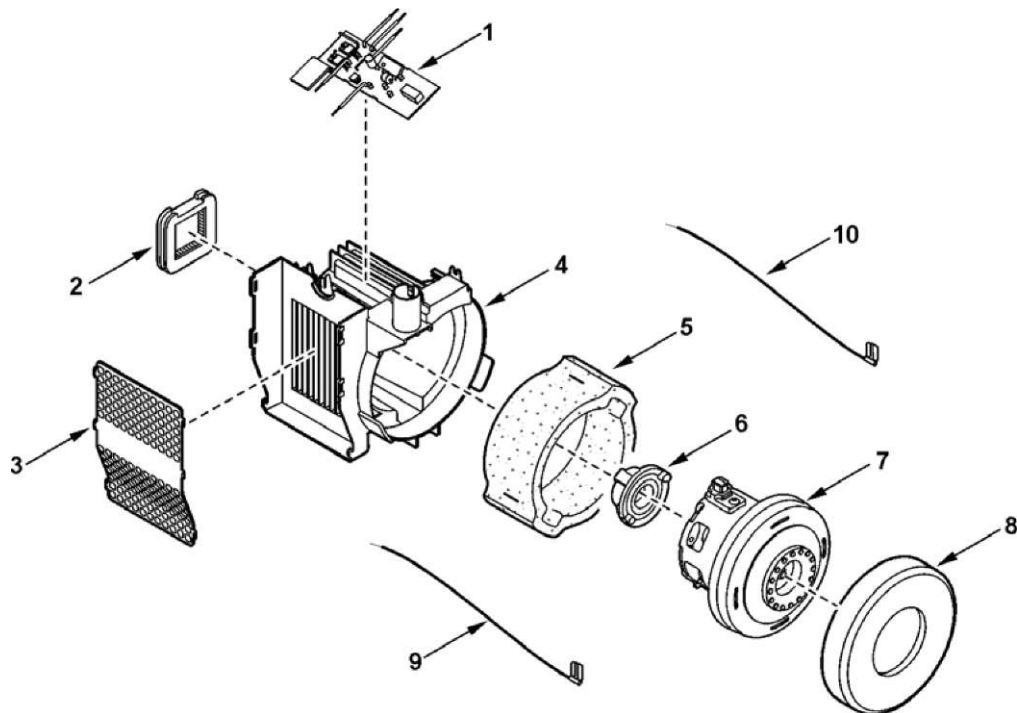


2.2.2. Parts List

Ref. No.	Part No.	Part Name & Description	Quantity	Remarks
1	AC21TDGBZVUW	ORNAMENTAL PLATE	1	
2	AC88PDGCZGUS	TOOL COVER (DECO)	1	
3	AC51NDDUZMOK	PRESS BUTTON	1	
4	AC92HDDUZ000	BUTTON SPRING		
5	AC70NDDUZ000	STOP LATCH SPRING	1	
6	AC68NDDUZV04	LATCH	1	
7	AC60KDGCZGUS	DUST COVER (DECO)	1	
8	AC01DDGBZMON	BUCKLE	1	
9	AC65DDGBZ000	SPRING LOCKING CAM	1	
10	AC83DDGBZV07	LOCKING CAM	1	
11	AC10NDDUZV04	SPRING HOLDER	1	
12	AC81HDDUZ000	LID HOLDING SPRING		
13	AC38HDGBZV07	COVER CAP	1	
14	AXTN4+10BFY	SCREW		SHIPPED 10 PER PACKAGE
15	AC41KDGBZVU7	FILTER COVER	1	
16	AC46NDGBZV07	CORD REWIND BUTTON	1	
17	AC99WBARZ000	LEAD ASSEMBLY	1	
18	AMC414-8999	SCREW THRD CUTTING		SHIPPED 10 PER PACKAGE
19	AC48HDGCZGOS	CANOPY (PAINTED)	1	
20	AC08MBZTZ000	INDICATOR WINDOW	1	
21	AC96MDDUZ000	PERFORMANCE INDICATOR LIGHT	1	
22	AC62PAXKZ000	VAC SWITCH TUBE	1	
23	AC38KCNFZ000	HEPA FILTER ASSY COMP	1	
24	AC16KDGBZ000	DUST BAG ASSY COMP.	1	
25	AC11KDGBZER0K	BAG SUPPORTER ASSEMBLY	1	
26	AC23DDGBZ000	SPRING BAG MOUNT	1	
27	AC03LDGBZ000	BAG MOUNT GASKET	1	
28	AC10KARTZR01	DUST BAG SUPPORTER	1	
29	AC64HAKTZ000	INLET (BAG) PACKING	1	
30	AC18KDGBZV07	EXPANDER CAGE	1	
31	AC01BDGBZMOL	HANDLE CAGE	1	
32	AC31AAXAZV06	FURNITURE GUARD	1	
33	AC90EBZTZV06	RECEPTACLE	1	
34	AC37KARTZ000	SECONDARY FILTER	1	
35	AC03ADGBZV07	LOWER BODY BASE	1	
36	AC99CAKTZV07	WHEEL		
37	AC93CAKTZV07	CASTOR UNIT	1	
38	AC4154460	WIRE CONNECTOR		SHIPPED 10 PER PACKAGE
39	AC43GBKZ000	LEAD WIRE WHITE	1	

2.3. Fan Motor

2.3.1. Exploded View

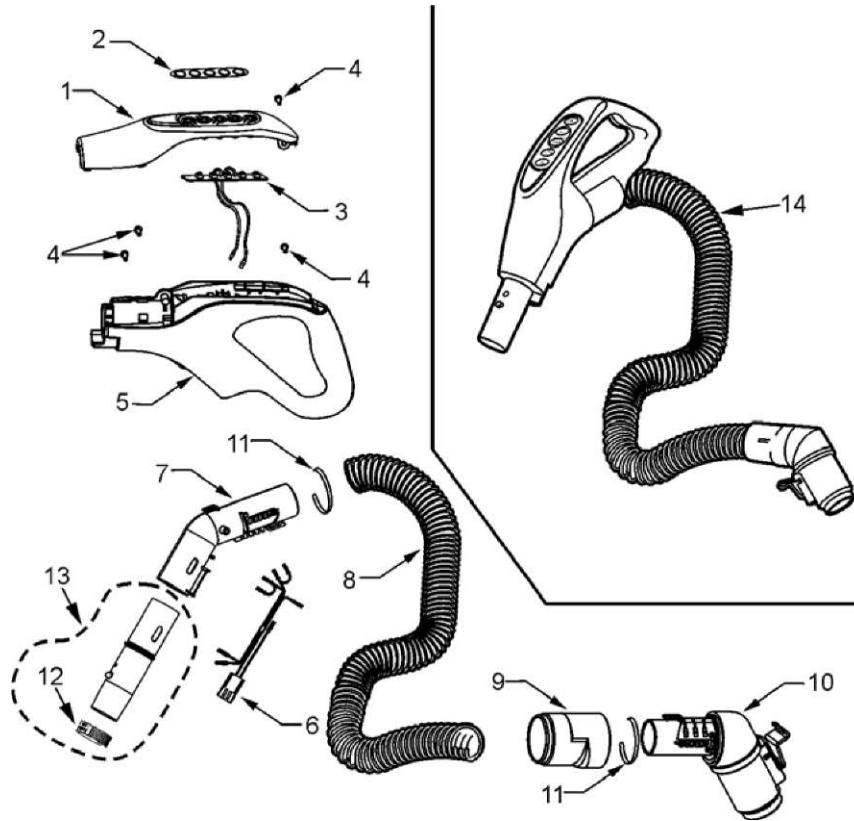


2.3.2. Parts List

Ref. No.	Part No.	Part Name & Description	Quantity	Remarks
1	AC89VBZPZ000	PCB ASSEMBLY	1	
2	AC03FAKTZ000	MOTOR RUBBER SUPPORT	1	
3	AC14KDGBZU03	FILTER SUPPORTER	1	
4	AC10GDGBZU03	NOISE ABSORBER	1	
5	AC99GAKTZ000	NOISE SUPPRESSOR	1	
6	AC03FAXAZ000	MOTOR REAR SUPPORT	1	
7	AC92FCJNZ000	MOTOR	1	
8	AC02FCUNZ000	MOTOR FRONT SUPPORT	1	
9	AC43GDGBZ000	LEAD WIRE WHITE	1	
10	AC38GDGBZ000	LEAD WIRE A	1	

2.4. Hose

2.4.1. Exploded View

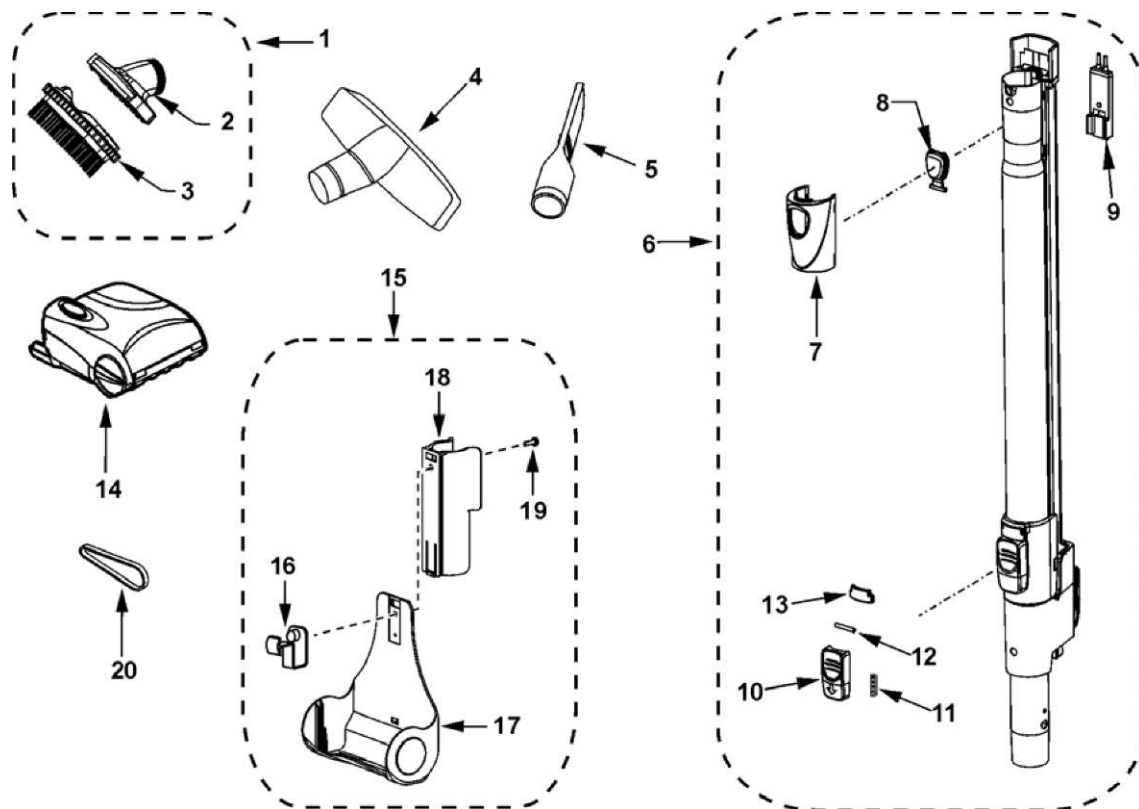


2.4.2. Parts List

Ref. No.	Part No.	Part Name & Description	Quantity	Remarks
1	AC68GDGCZGOS	SWITCH CASE	1	
2	AC31TBZPZ000	ELECTRIC LABEL	1	
3	AC87GBZNZ000	PCB ASSEMBLY	1	
4	AXTN4+12BFY	SCREW		SHIPPED 10 PER PACKAGE
5	AC93BBZTZV06	HANDLE ASSEMBLY	1	
6	AC37GBZPZV06	\WIRE HARNESS (3-WIRES)	1	
7	AC30PATMZV06	CURVED WAND	1	
8	AC05PHXZV06	HOSE, 3-WIRE	1	
9	AC22PAFZZV06	HOSE CONNECTION COVER	1	
10	AC92PBZTZV06	CONNECTION PIPE	1	
11	AC04RATMZ000	HOSE PACKING		
12	AMC414-7159	SUCTION CONTROL	1	
13	AC56PCPSZV06	STUB TUBE ASSEMBLY	1	
14	AC94PDGCZGOS	HOSE ASSEMBLY	1	

2.5. Attachments

2.5.1. Exploded View

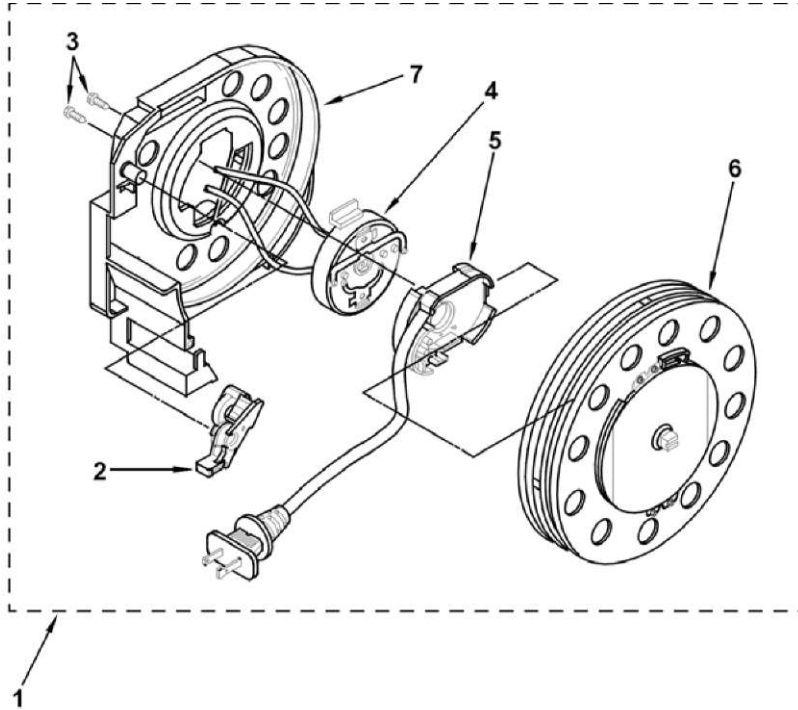


2.5.2. Parts List

Ref. No.	Part No.	Part Name & Description	Quantity	Remarks
1	AC63RBZTV06	COMBINATION BRUSH	1	
2	AC62RBZTV06	UPHOLSTERY NOZZLE	1	
3	AC94QBZTV06	DUSTING BRUSH	1	
4	AC96RAKTZV06	FLOOR BRUSH	1	
5	AC60RSJZV06	CREVICE TOOL	1	
6	AC99PDGBZV06	EXTENSION WAND	1	
7	AC70QCUFZV06	QUICK RELEASE UPPER	1	
8	AC13DCPSZV06	QUICK RELEASE BUTTON	1	
9	AC45ECUEZU00	TERMINAL COVER	1	
10	AC57HCUEZV07	SLIDING KNOB	1	
11	AC65DCUEZ000	SPRING	1	
12	AC27UCUEZ000	SLIDING PIN	1	
13	AC06QCUEZV06	PIPE COVER	1	
14	AC85PCSUZV0N	COMPACT POWER NOZZLE	1	
15	AC69PBPKZV06	TOOL CADDY ASSEMBLY	1	
16	AC82DBPJZV06	LOCKING CLIP	1	
17	AC66PBPKZV06	TOOL CADDY	1	
18	AC78ABPKZV06	HOLDER	1	
19	AXTN4+10BFY	SCREW	1	SHIPPED 10 PER PACKAGE
20	AC28SBPKZ000	BELT	1	

2.6. Cord Reel

2.6.1. Exploded View



2.6.2. Parts List

Ref. No.	Part No.	Part Name & Description	Quantity	Remarks
1	AC99NCVBZ007	CORD REEL	1	
2	AC94NAKTZV06	BRAKE LEVER	1	
3	AXTN4+16BFY	SCREW	2	SHIPPED 10 PER PACKAGE
4	AC19NAVAZ000	CONTACT BASE	1	
5	AC98NAKTZ00	CONTACT DISC ASSY COMPLETE	1	
6	AC01NCUHZ000	CORD REEL HUB ASSY COMPLETE	1	
7	AC04ACUHZV07	CORD REEL BRACKET	1	