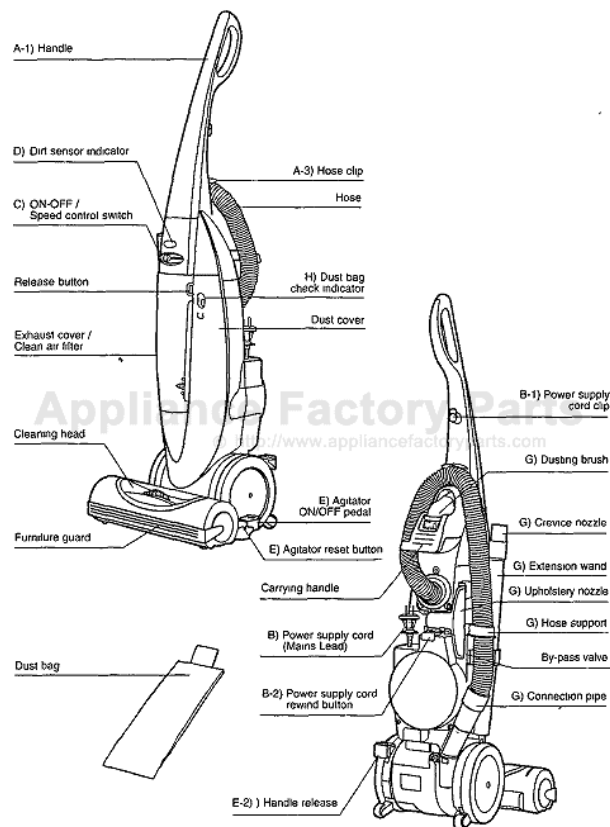


This Owner's Manual is provided and hosted by [Appliance Factory Parts](#).



PANASONIC MC-E583 Owner's Manual

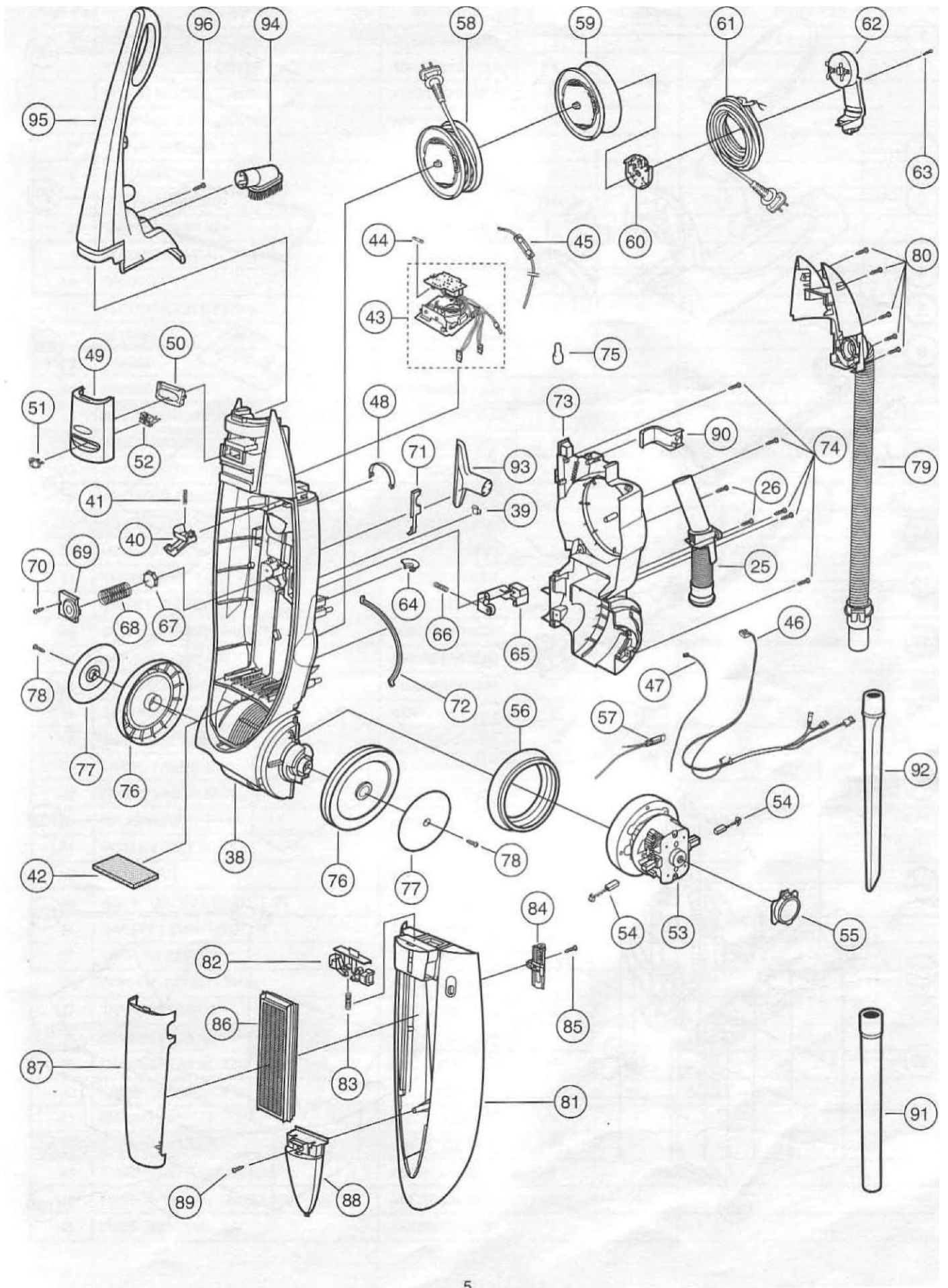
[Shop genuine replacement parts for PANASONIC
MC-E583](#)



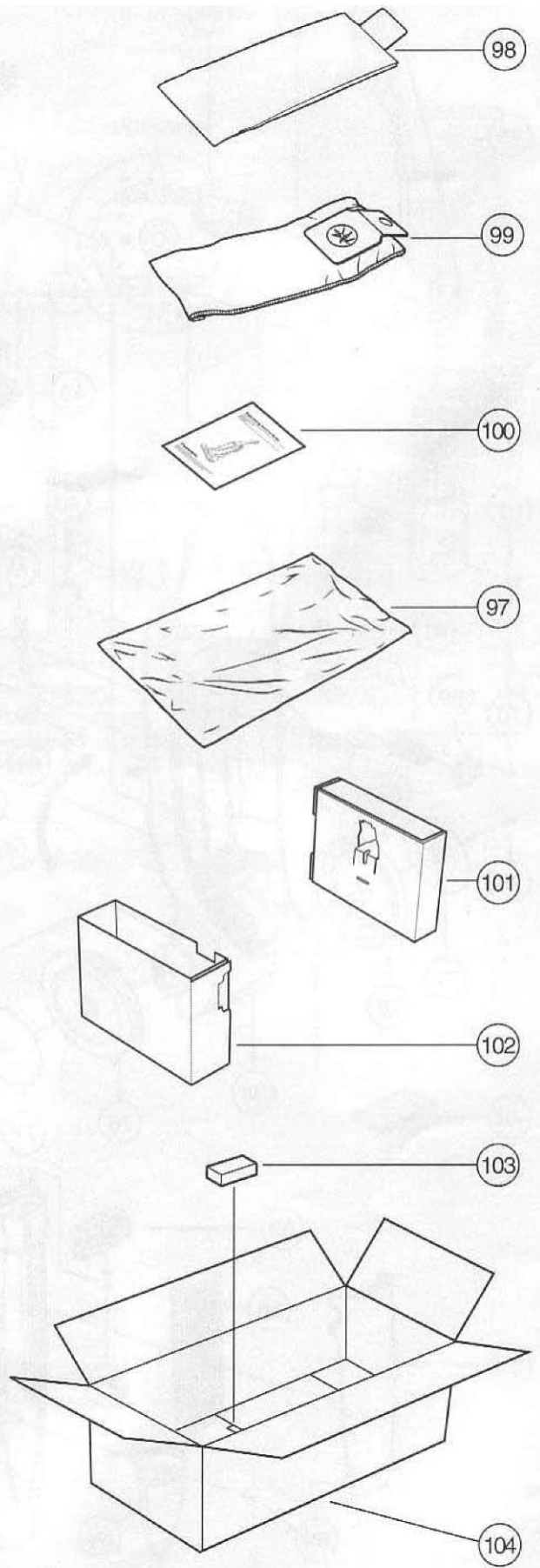
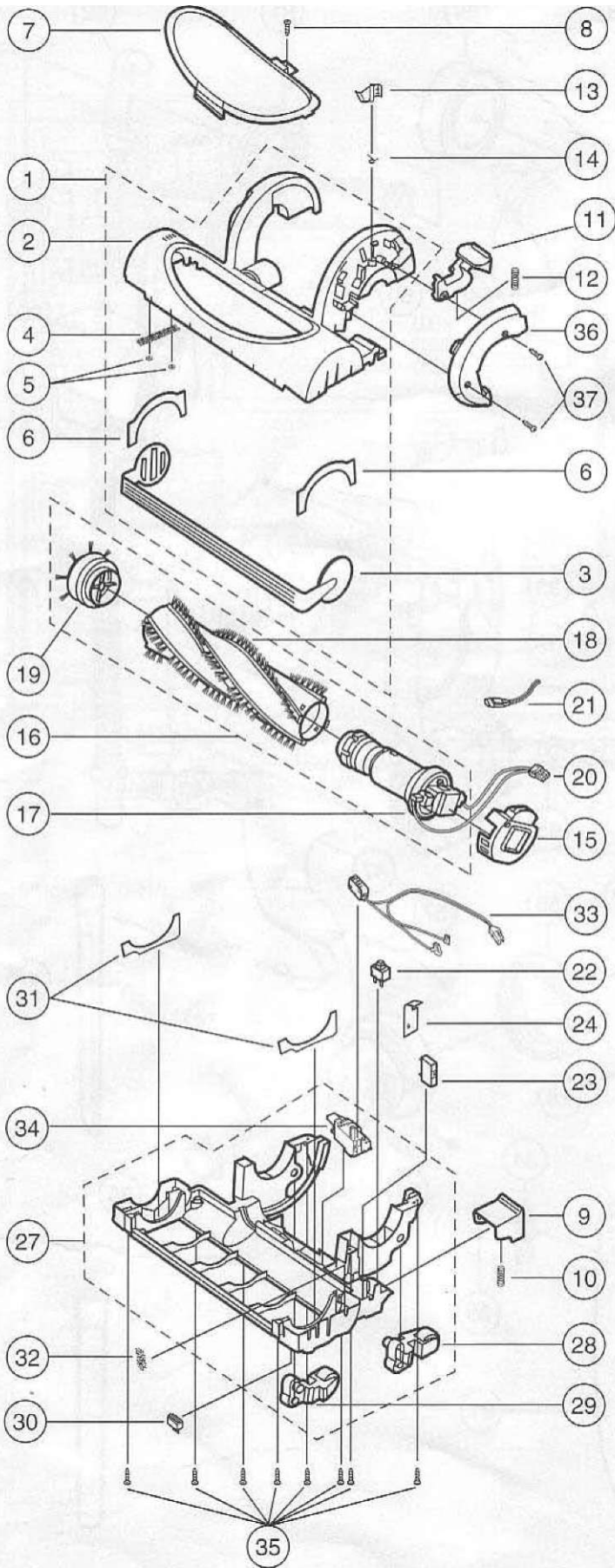
[Find Your PANASONIC Vacuum Cleaner Parts - Select From 605 Models](#)

----- Manual continues below -----

• EXPLODED VIEW



EI EXPLODED VIEW



• **SPARE PARTS LIST**

REF. No.	DESCRIPTION	PART No.	Pcs/Set	MC-E583	REMARKS
f	FLOOR NOZZLE COVER ASS'Y	AMC8A80W1061	1	ft	
2	FLOOR NOZZLE COVER	AMC8A28W1061	1	.	
3	FLOOR NOZZLE BUMPER	AMC8A33W1036	1	.	
4	FILTER {NOZZLE COVER}	AMC8R63W100Q	1	.	
5	FIXING WASHER	XUZ2000J	2	.	
6	AGITATOR FELT A	AMC8R42W1000	2	.	
7	VIEW (AGITATOR)	AMC8I14W1001	1	.	
8	TAPPING SCREW	XTN4+18B	1	.	
9	AGITATOR PEDAL	AMC8D19W1Q34	1	.	
10	SPRING	AMC8F33W1000	1	.	
11	FLOOR NOZZLE PEDAL	AMC8A29W1034	1	.	
12	SPRING	AMC8R52M1000	1	.	
13	FRAME	AMC8A31M1034	1	.	
14	FRAME SPRING	AMC8AZSM1000	1	.	
15	AGITATOR SUPPORT A	AMC8C02FAVG1	1	.	
16	AGITATOR UNIT	AMC8R98W8000	1	.	
17	AGITATOR MOTOR	AMC8EZ8W8000	1	.	
18	AGITATOR BODY	AMC8R86W1000	1	.	
19	AGITATOR SIDE BRUSH	AMCSR96W1000	1	.	
20	LEAD WIRE A	AMC8W81W8000	1	.	
21	THERMAL CUT OUT (AGITATOR)	AMC8E92W8000	1	.	
22	ON/OFF SWITCH (AGITATOR)	AMC8E01L1000	1	.	
23	OVERCURRENT CIRCUIT BREAKER	AMCBD59W8000	1	.	
24	INSULATING PLATE	AMC8E22W8000	1	.	
25	CONEXION PIPE UNIT	AMC8M97W1036	1	.	
26	TAPPING SCREW	XTN4+18B		.	
27	BASE PLATE ASS'Y	AMC8AZ3W1061	1	ft	
28	FIXING WHEEL UNIT "A"	AMC8RZ0W1034	1	.	
29	FIXING WHEEL UNIT "B"	AMC8RZ1W1034	1	.	
30	BRUSH UNIT	AMC8A88W1034	1	.	
31	ROTARY FELT B	AMC8R43W1000		.	
32	FOAM SEAL	AMC8F17W1000	1	.	
33	AGITATOR SAFETY SWITCH	AMC8D91W8000	1	ft	
34	SAFETY LEVER UNIT	AMC8K81W1000	1	.	
35	TAPPING SCREW	XTN4+18B		.	
36	CONNECTIONS COVER	AMC3D29W8034	1	.	
37	TAPPING SCREW	XTN4+12B		.	
38	LOWER BODY ASS'Y	AMC8C99W8061	11	.	
39	UPHOLSTERY NOZZLE CLIP	AMC8AZ1M1034	1	.	
• 40	PAPER BAG CLAMP	AMC8F02B1034	1	.	
41	SPRING	AMC8F30B1000	1	.	
42	CENTRAL FILTER	AMC8F03W1000		ft	
43	POWER CONTROL CIRCUIT	AMC8E91W8000	1	.	
44	FUSE T6.3A/125V {TIME LAG}	AMC8B42W8000	1	.	
45	FUSE UNIT 15A/125V	AMC8B8PW80C0	1	.	

• **SPARE PARTS LIST**

REF. No	DESCRIPTION	PART No.	Pcs/Set	MC-E583	REMARKS
46	LEAD WIRE D	AMC8W84W8000	1	•	
47	LEAD WIRE B	AMC8W82W8000		•	
48	SENSOR COVER	AMC8T52W8000	1	•	
49	CONTROL PANEL	AMC8M01W30P2	1	•	
50	LED INDICATOR	AMC8I33W3003	1	•	
51	POTENTIOMETER BUTTON	AMC8E17M1034	1	•	
52	BUTTON SUPPLEMENT	AMC8E21W8034	1	•	
53	MOTOR UNIT SDS-1101P	AMC81SB01P00	1	•	
54	CAHBON BRUSH	AMC8201C9801		•	
55	REAR MOTOR SUPPORT	AMC8E09TOOOO	1	•	
56	FRONT MOTOR SUPPORT	AMC8E08W1000	1	•	
57	THERMAL CUT OUT UNIT	AMC8E92W8100	1	•	
50	CORD REEL ASS'Y	AMC8P84W8000	1	•	
59	CORD REEL	AMC8P90W8000	1	•	
60	RAIL BASE UNIT	AMC8P93B4000	1	•	
61	POWER SUPPLY CORD	AMC8EZ9W8000	1	•	
62	CORD REEL SUPPORT UNIT	AMC8P91W8000	1	•	
63	TAPPING SCREW	XTN4+16K	1	•	
64	CORD COVER	AMC8C07B1034	1	•	
65	BRAKE LEVER UNIT	AMC8P96W1000	1	•	
66	SPRING	AMC8T19D1000	1	•	
67	VALVE	AMC8I07L1000	1	•	
68	VALVE SPRING	AMC8I09W8000	1	•	
69	VALVE CASE	AMC8I08W8034	1	•	
70	TAPPING SCREW	XTN4+18B	1	•	
71	CABLE COVER	AMC8C12W1061	1	•	
72	CABLE COVER B	AMC8C43W1061	1	•	
73	UPPER BODY	AMC8C01W1061	1	•	
74	TAPPING SCREW	XTN4+18B	6	•	
75	WIRE CONNECTOR	AMC8E0671000	1	•	
76	WHEEL	AMC8R01W8036	2	•	
77	WHEEL CAP	AMC8R02W1061	2	•	
78	FIXING SCREW	AMC8C0891000	2	•	
79	HOSE ASS'Y	AMC8A92W3061	1	•	
80	TAPPING SCREW	XTN4+18B	5	•	
81	DUST COVER	AMC8T01W1061	1	•	
82	LOCKING	AMC8T03W1034	1	•	
83	LOCKING SPRING	AMC8F30L1000	1	•	
84	DUST INDICATOR	AMC8I99W8000	1	•	
85	TAPPING SCREW	XTN4+18B	1	•	
86	EXHAUST FILTER (HEPA • FILTER)	AM 08 S04 W3000	1	•	
87	EXHAUST COVER	AMC8T07W80P2	1	•	
88	END EXHAUST COVER	AMC8T35W10P2	1	•	
89	TAPPING SCREW	XTN4+18B	1	•	
90	EXTENSION TUBE SUPPORT	AMC8C25W1036	1	•	

• SPARE PARTS LIST

REF. No	DESCRIPTION	PART No,	Pcs/Set	MC-E583	REMARKS
91	EXTENSION TUBE	AMC8A1291036	1	•	
92	CREVICE NOZZLE	AMC8A1391036	1	•	
93	UPHOLSTERY NOZZLE	AMC8A2791136	1	•	
94	DUSTING BRUSH	AMC8A97G1036	1	•	
95	HANDLE UNIT	AMC8H99W1061	1	•	
96	HANDLE SCREW	AMC8H10B1000	1	•	
97	SET COVER	AMC8Z05G1100	1	•	
98	PAPER BAG (PACK 5/PCS.)	AMC8F96W2000	1	•	Detachable Type U-20E ((^ P ^ ^)
99	CLOTH DUST BAG (REUSABLE)	AMC8F99G0000		•	Optional
100	OPERATING INSTRUCTIONS	AMC8Z07W8090	1	•	Language: English
101	CUSHION A	AMC8Z02W1000	1	•	
102	CUSHION B	AMC8Z03W1100	1	•	
103	CUSHION SUPPLEMENT A	AMC8Z04W1000	1	•	
104	CARTON BOX	AMC8Z01W8000	1		

Per ERIGS