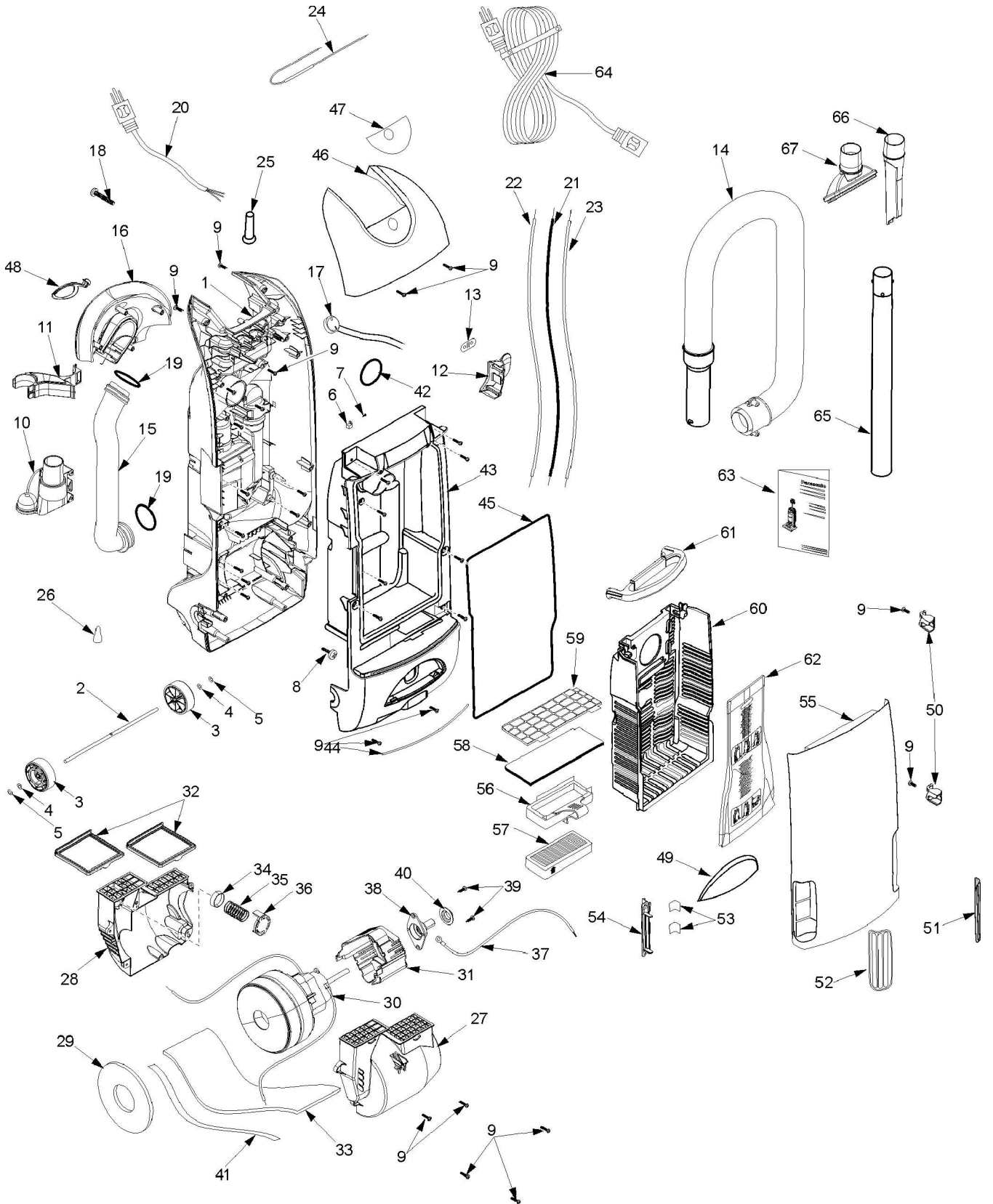


2 EXPLODED VIEW AND PARTS LIST

2.1. Body

2.1.1. Exploded View

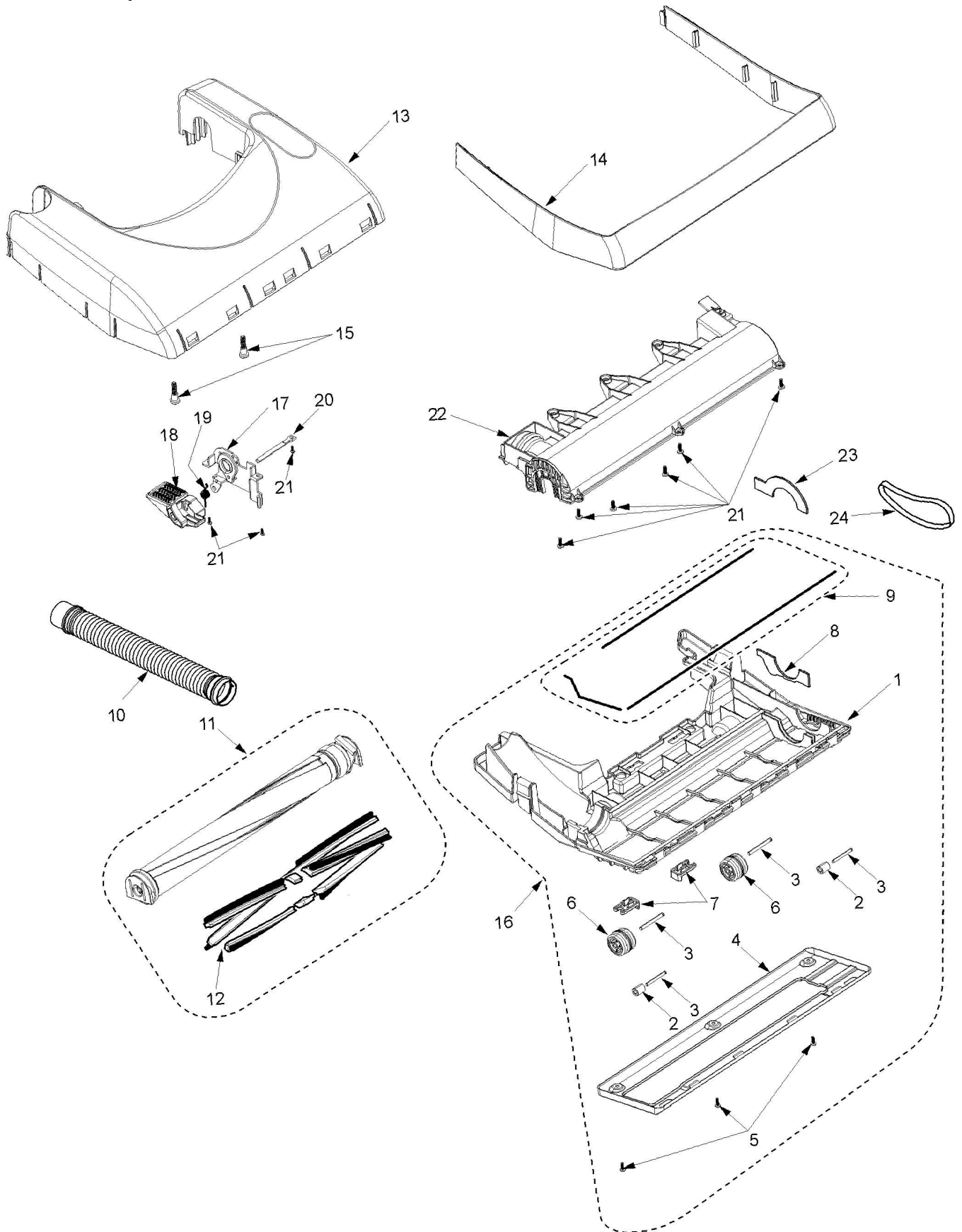


2.1.2. Parts List (Body)

Ref. No.	Part No.	Part Name & Description	Quantity	Remarks
1	AC40KDEKZV07	DUST COMPARTMENT	1	
2	AC16CDDWZ000	ROLLER SHAFT	1	
3	AC01CV0ZV06	WHEEL UNIT	2	
4	AXWG6E115FY	WASHER	2	Shipped 10 per package
5	AC74SUSZ00	STOPPER WHEEL	2	Shipped 10 per package
6	AC83DDAAZU00	LOCKING CAM	1	
7	AXTS3+8BFY	SCREW	1	Shipped 10 per package
8	AC68AZAZ00	SCREW, LOWER PLATE	1	Shipped 10 per package
9	AXTN4+16BFY	SCREW	31	Shipped 10 per package
10	AC70PDDWZV07	WAND HOLDER	1	
11	AC32RDDWZV07	ATTACHMENT HOLDER	1	
12	AC24PDDWZV07	HOSE FITTING (HOSE SUPPORT)	1	
13	AMC62E-J20	CORD STOPPER (C62EJ2)	1	
14	AC84PDDWZV07	HOSE UNIT	1	
15	AC52PDDWZV07	CONNECTOR PIPE	1	
16	AC23PDDWZV07	HOSE HOLDER	1	
17	AC01EDDXZ000	ON-OFF SWITCH	1	
18	AXTN4+45BFY	SCREW	1	
19	AC74EDDWZ000	SEAL (AIR PATH)		
20	AC94EDEKZY02	POWER CORD	1	
21	AC85GDDWZ000	BLACK LEAD WIRE UNIT	1	
22	AC85WDDWZ000	WHITE LEAD WIRE UNIT	1	
23	AC39GDEKZ000	GREEN LEAD WIRE UNIT	1	
24	AC99WCYKZ000	LEAD ASSEMBLY FUSE	1	
25	AC51E4GZU01	RUBBER PROTECTOR	1	
26	AMC-1CTCE23	WIRE NUT		Shipped 10 per package
27	AC54LDDWZU01	AIR GUIDE LEFT	1	
28	AC55LDDWZU01	AIR GUIDE RIGHT	1	
29	AC4154151	SEAL-IMPELLER	1	
30	AC90FDEKZ000	MOTOR ASSEMBLY	1	
31	AC26FDDWZU01	MOTOR CAP	1	
32	AC45LDDWZV07	AIR OUTLET PACKING		
33	AC99GAMMZ00	NOISE SUPPRESSOR	1	
34	AC69KJMV06	PROTECTOR	1	
35	AC70KCNFZG00	PROTECTOR SPRING	1	
36	AC68KAJDZV06	PROTECTOR CASE	1	
37	AC39GDDXZ000	GREEN LEAD WIRE UNIT	1	
38	AC25SBSKZ000	FLANGE	1	
39	AXTN4+8JFY	SCREW TAPTITE		Shipped 10 per package
40	AC03FAFYZ00	MOTOR SUPPORT RUBBER	1	
41	AC39ADDWZ000	BODY PACKING, RIGHT	1	
42	AC64HARTZ000	SUCTION INLET PACKING	1	
43	AC85KDDXZU01	DUST BOX UNIT	1	
44	AC66KDDXZ000	DUST COMPARTMENT PACKING	1	
45	AC66KCRZ000	DUST COVER PACKING	1	
46	AC80FDDXZU01	SWITCH COVER	1	
47	AC21TDDXZ000	ORNAMENTAL PLATE	1	
48	AC02HDDWZV07	COVER LID	1	
49	AC21HDEKZU01	WINDOW	1	
50	AC44HDDWZU01	LID HOLDING BRACKET		
51	AC28LDDXZU01	AIR OUTLET GUIDE	1	
52	AC28LDDWZU01	AIR OUTLET GUIDE	1	
53	AC18DDDWZ000	SPRING, RELEASE BUTTON		
54	AC15KDDWZU01	FASTENER	1	
55	AC48HDEKZU01	COVER (DECO)	1	
56	AC42KDDWZM0H	FILTER CASE	1	
57	AC38KBRMZ000	EXHAUST FILTER, HEPA	1	
58	AC37KDDWZ000	FILTER SECONDARY (FOAM)	1	
59	AC32KDDWZV07	FILTER SUPPORTER	1	
60	AC03KDDWZV07	BAG BRACKET	1	
61	AC64BDDWZM0H	HANDLE	1	
62	AC16KCRZ000	DUST BAG	1	
63	AC01ZDEKZ000	OPERATING INSTRUCTIONS	1	
64	AC94EDDWZY02	POWER CORD	1	
65	AC40PBRLZV06	EXTENSION WAND UNIT	1	
66	AC60RCNFZV06	CREVICE TOOL	1	
67	AC63RDDWZV06	COMBINATION BRUSH	1	

2.2. Nozzle Housing

2.2.1. Exploded View

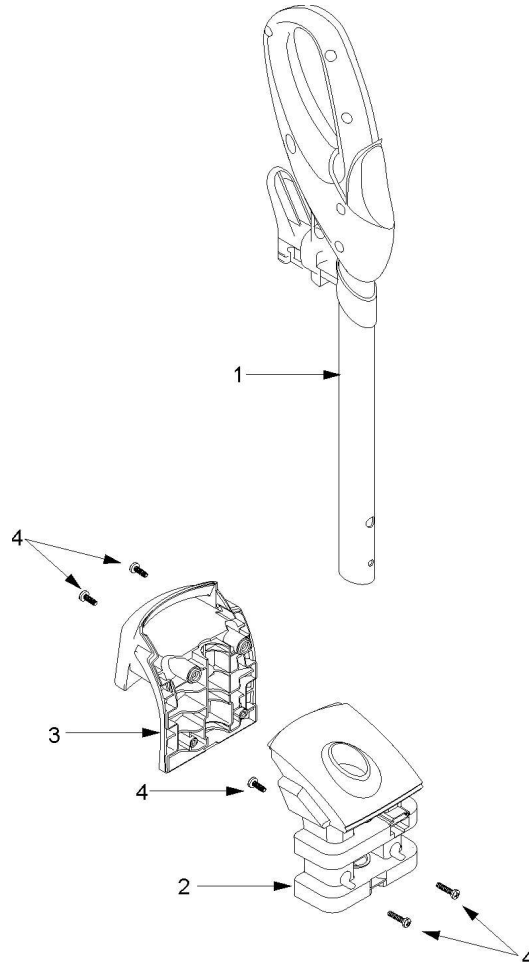


2.2.2. Parts List (Nozzle Housing)

Ref. No.	Part No.	Part Name & Description	Quantity	Remarks
1	AC97ADDWZV07	LOWER PLATE UNIT	1	
2	AC01CDDWZV07	WHEEL	2	
3	AC16CNXZ00	ROLLER SHAFT	4	
4	AC27ADDWZ000	LOWER PLATE	1	
5	AXTN4+10BFY	SCREW	3	Shipped 10 per package
6	AC90QNGZV06	WHEEL UNIT	2	
7	AC68NCYZZV06	LATCH	2	
8	AC11ADDXZ000	FELT (LOWER)	1	
9	AC19ACPSZ000	BODY PACKING	1	
10	AC34PDDEZV06	NOZZLE HOSE	1	
11	AC92SDDXZ000	AGITATOR ASSEMBLY	1	
12	AC85RDDWZU01	BRUSH UNIT		
13	AC01ADEKZYU2	BODY NOZZLE HOUSING	1	
14	AC10ADDWZV07	FURNITURE GUARD	1	
15	AMC68A-V30	SCREW (FOR BODY)		
16	AC91ADDXZV07	LOWER PLATE UNIT	1	
17	AC43AAFYZ00	BRACKET	1	
18	AC47ADAAZM0E	PEDAL	1	
19	AC58AAFVZ00	PEDAL SPRING	1	
20	AMC51A-YUZ0000	PEDAL SHAFT	1	
21	AXTN4+16BFY	SCREW		Shipped 10 per package
22	AC02ADDWZV07	UPPER BODY	1	
23	AC11ADDWZ000	FELT (UPPER)	1	
24	AC28SCZPZ000	BELT	1	

2.3. Handle

2.3.1. Exploded View



2.3.2. Parts List (Handle)

Ref. No.	Part No.	Part Name & Description	Quantity	Remarks
1	AC93BDDXZV07	HANDLE GRIP UNIT	1	
2	AC06BDDXZV07	HANDLE COVER (A)	1	
3	AC07BDDWZV07	HANDLE COVER (B)	1	
4	AXTN4+16BFY	SCREW	5	Shipped 10 per package