

This Owner's Manual is provided and hosted by [Appliance Factory Parts](#).



PANASONIC MC-UG383 Owner's Manual

[Shop genuine replacement parts for PANASONIC
MC-UG383](#)

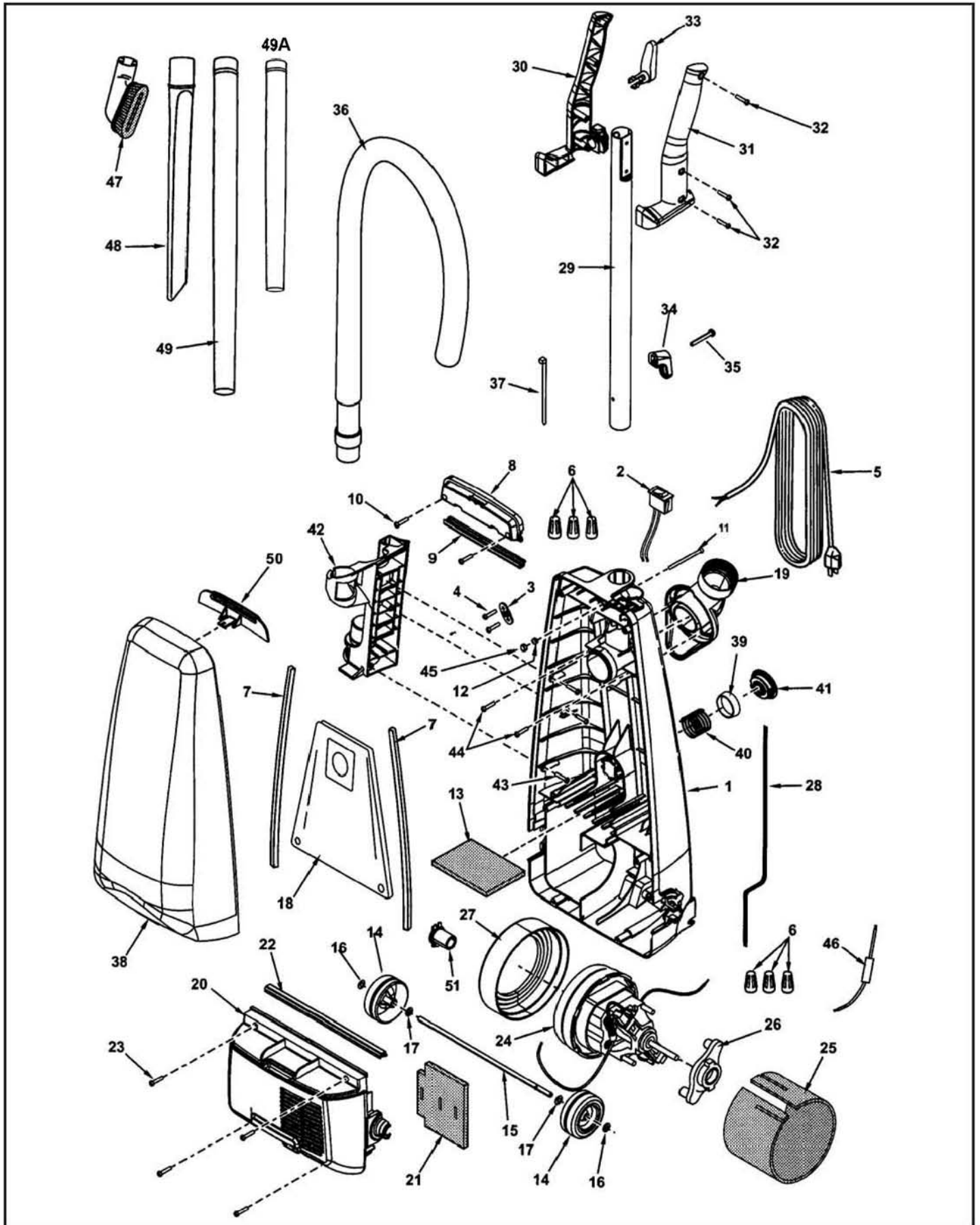


[Find Your PANASONIC Vacuum Cleaner Parts - Select From 605 Models](#)

----- Manual continues below -----

PANASONIC Original & Replacement

Models UG371, UG383, V5005-00, V5005-01, V5005-02



Original & Replacement **PANASONIC**

Models UG371, UG383, V5005-00, V5005-01, V5005-02

PARTS LIST

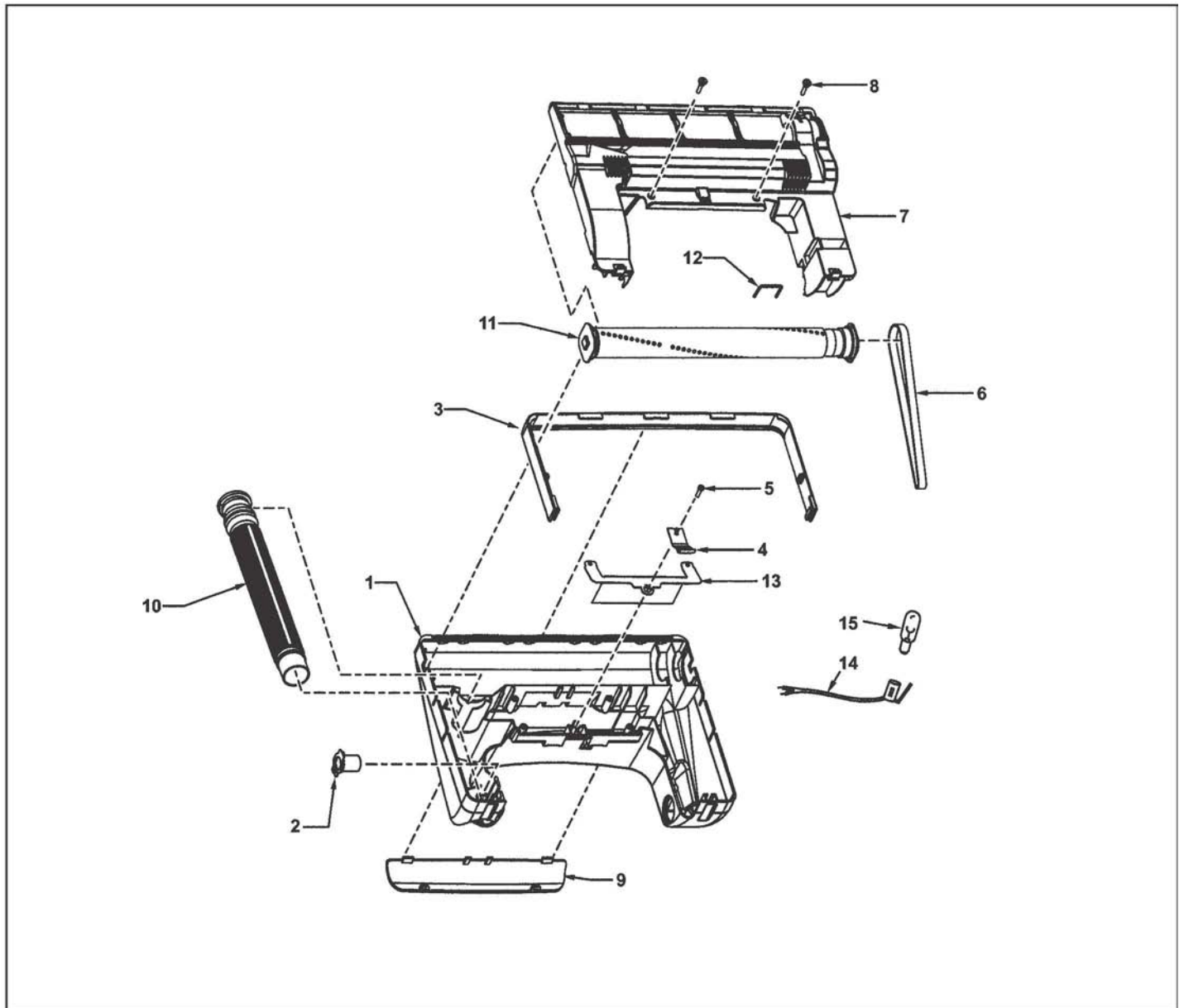
(MOTOR HOUSING, MOTOR, HANDLE & BODY)

KEY	PART NO.	DESCRIPTION	KEY	PART NO.	DESCRIPTION
1	P-75311	Dust Compartment	28	P-37G-v200U	Wire Cord
2	P-34100	On/Off switch	29	P-64BBYLZ00	Handle Tube
3	P-62EBYLZ00	Cord stopper v5005-00	30	P-22BBYLZv07	Handle Grip (Right)
4	P-62E-J20	Cord stopper v5005-01, v5005-02, UG371, UG383	31	P-23BBYLZv07	Handle Grip (Left)
5	P-30056	Power Cord	32	P-77020	screw (Handle Grip)
5	P-97EPGZV06	Power Cord UG371, UG383	33	P-53EBYLZv07	Upper Cord storage Hook
6	SS-3270	Wire connector	34	P-54EBYLZv07	Lower Cord storage Hook v5005-00
7	P-66KBYLZK12	Packing (Dust Compartment)	34	P-70867	Lower Cord storage Hook v5005-01, v5005-02
8	P-03EBYLZV07	switch Cover	34	P-54Ev0Zv07	Lower Cord storage Hook UG371, UG383
9	P-73KBYLZK12	Packing (switch Cover)	35	P-77040	screw (Lower Cord storage Hook)
10	P-77020	screw (switch Cover)	36	P-73613	extension Hose All except UG383
11	P-77043	Handle screw	36	P-73617	extension Hose W/suction inlet UG383
12	P-21B-170	Nut	37	SS-8017	Wire Tie
13	P-18007	secondary Filter (Foam) v5005-00	38	P-60KCHGZY05	Dust Cover v5005-00, v5005-01, v5005-02
13	P-18400	secondary Filter (Foam) v5005-01, v5005-02, UG371, UG383	38	P-60KDDGZCU3	Dust Cover UG371
13	PR-1800	Secondary Filter (Foam) V5005-01, V5005-02, UG371, UG383	38	P-60KDDGZCUF	Dust Cover UG383
14	P-01CBYLZv07	Wheel v5005-00, v5005-01, v5005-02	39	P-69KBYLZv07	Protector v5005-00
14	P-71125	Wheel UG371, UG383	39	P-69KJMZv07	Protector v5005-01, v5005-02, UG371, UG383
15	P-16CBYLZ00	shaft (Wheel) v5005-00	40	P-70KBYLZR0	Protector spring v5005-00
15	P-71375	shaft (Wheel) v5005-01, v5005-02, UG371, UG383	40	P-70KAHHZB00	Protector spring v5005-01, v5005-02, UG371, UG383
16	P-36sBYLZ00	stopper (Wheel) v5005-00	41	P-18MBYLZv07	Protector Cover v5005-00
16	P-71500	stopper (Wheel) v5005-01, v5005-02, UG371, UG383	41	P-68KAJDZV07	Protector Cover v5005-01, v5005-02
17	P-77118	Washer (Wheel)	41	P-18MJMZv07	Protector Cover UG371, UG383
18	P-MC141M	Paper Bag U6 Microfiltration 3 Pk	42	P-70PBYLZv07	Wand Holder
18	PR-1471	Paper Bag U6 Micro-Lined DVc 3 Pk	43	P-77020	screw (Wand Holder)
18	PR-14313	Paper Bag U6 Microfilter ENV 3 Pk	44	P-77020	screw (suction inlet)
19	P-60HBYLZv07	suction inlet All except UG383	45	P-61LBYLZ00	insulator Packing (Handle screw) v5005-00
20	P-75001	Motor Cover v5005-00, v5005-01, v5005-02	45	P-61LAGMZ00	insulator Packing (Handle screw) v5005-01, v5005-02, UG371, UG383
20	P-75003	Motor Cover UG371	46	P-36035	Lead with Resistor v5005-00
20	P-75006	Motor Cover UG383	46	P-99WCHRZ00	Lead with Resistor v5005-01, v5005-02, UG371, UG383
21	P-02LBYLZ00	Filter (Motor Cover)	47	P-88RBYLZv06	Dusting Brush v5005-00
22	P-19FBYLZK12	Packing (Motor Cover)	47	P-53020	Dusting Brush v5005-01, v5005-02, UG371, UG383
23	P-AXTN4+20BFY	screw (Motor Cover)	48	P-60RBYLZv06	Crevice Tool v5005-00
24	P-60103	Fan Motor v5005-00	48	P-54017	Crevice Tool v5005-01, v5005-02, UG371, UG383
24	P-60104	Fan Motor v5005-01, v5005-02, UG371, UG383	49	P-40PBYLZv06	extension Wand v5005-00
25	P-99GBYLZ00	Noise suppressor v5005-00	49	P-50030	extension Wand v5005-01, v5005-02, UG371
25	P-99GAMMZ00	Noise suppressor v5005-01, 5005-02, UG371, UG383	49	P-50040	extension Wand, W/Tabs UG383
26	P-02FBYLZ00	Motor support (Rear) v5005-00	49A	P-40PBRKZv06	extension Wand UG383
26	P-03FCJUZ000	Motor support (Rear) v5005-01, v5005-02, UG371, UG383	50	P-08DBYLZv07	Latch, Dust Cover
27	P-03FBYLZ00	Motor support (Front) v5005-00	51	P-25sBYLZ00	Plastic shaft
27	P-02FCHGZ000	Motor support (Front) v5005-01, v5005-02, UG371, UG383		P-436AWYZ000	Lead Wire v5005-01, UG371 (Not shown)
				P-8191904	Lead Wire v5005-02 (Not shown)

NLA = No Longer Available

PANASONIC Original & Replacement

Models UG371, UG383, V5005-00, V5005-01, V5005-02



PARTS LIST (NOZZLE HOUSING)

KEY	PART NO.	DESCRIPTION	KEY	PART NO.	DESCRIPTION
1	P-73157	Nozzle Housing v5005-00, v5005-01, v5005-02	8	P-77020	screw (Bottom Plate)
1	P-73200	Nozzle Housing UG371	9	P-21HBYLZ00	Window Cover v5005-00, v5005-01, v5005-02
1	P-73214	Nozzle Housing UG383	9	P-21HBYLZC03	Window Cover UG371, UG383
2	P-25sBYLZ00	shaft (Plastic) v5005-00	10	P-34PCHGZv06	Nozzle Hose v5005-00, v5005-01, v5005-02
2	P-73900	shaft (Plastic) v5005-01, v5005-02, UG371, UG383	10	P-34PAJDZV06	Nozzle Hose UG371, UG383
3	P-10ABYLZv07	Furniture Guard	11	P-20028	Brushroll
4	P-57ABYLZ00	spring (Pedal) v5005-00	12	P-43sBYLZ00	Belt Cover v5005-00
4	P-77205	spring (Pedal) v5005-01, v5005-02, UG371	12	P-76315	Belt Cover v5005-01, v5005-02, UG371, UG383
5	P-77020	screw (Pedal spring)	13	P-53KBYLZ00	slider support
6	P-MC270Bv	Belt UB8 2 Pk	14	P-73442	socket (Bulb)
6	PR-1010	Belt UB8	15	FA-3515	Bulb (Light)
7	P-76009	Bottom Plate			