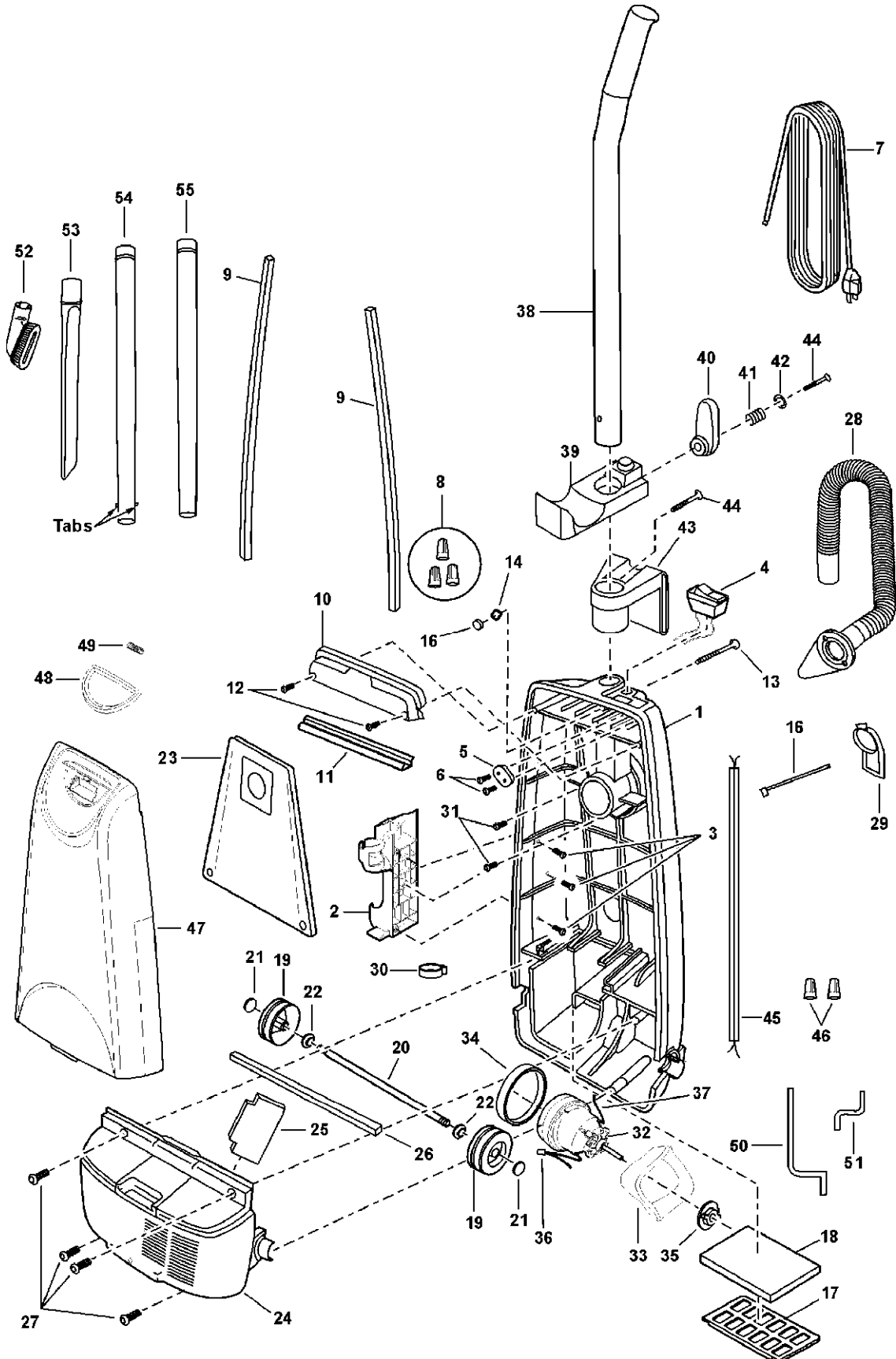


2 EXPLODED VIEW AND PARTS LIST

2.1. Body

2.1.1. Exploded View

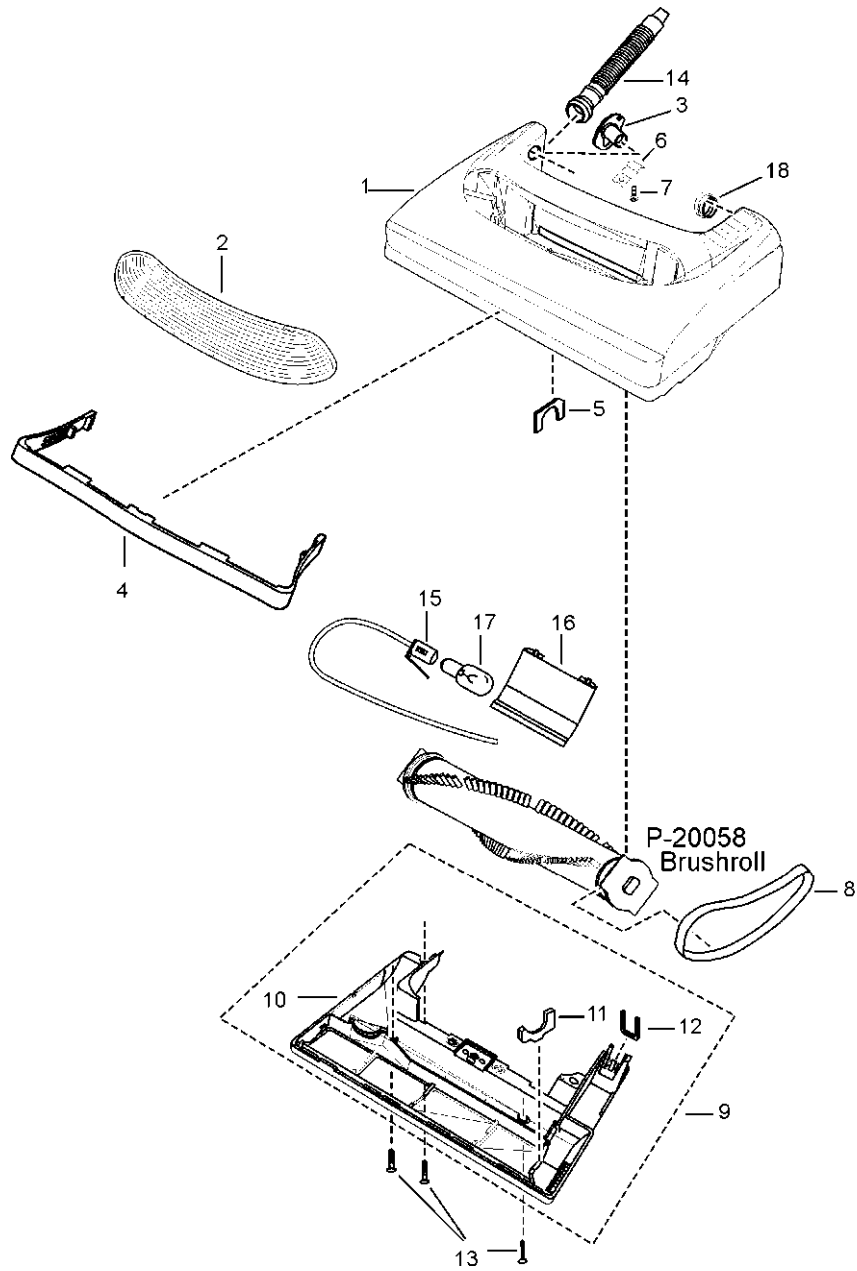


2.1.2. Parts List (Body)

Ref. No.	Part No.	Part Name & Description	Quantity	Remarks
1	AC78KDKUZV07	DUST COVER	1	INCLUDES ITEMS 2 53 & 54
2	AC70PJPZV07	WAND HOLDER	1	INCLUDES ITEM 3
3	AXTN4+16BFY	SCREW (WAND HOLDER)		SHIPPED 10 PER PACKAGE
4	AMC98E-V010U	SWITCH	1	INCLUDES ITEMS 5 15 & 16
5	AMC62E-J20	CORD STOPPER	1	
6	AXTN4+16BFY	SCREW (CORD STOPPER)		SHIPPED 10 PER PACKAGE
7	AC97EADGZV06	POWER CORD	1	
8	AC44DCYKZ000	WIRE CRIMP		
9	AC66KV01V06	DUST CONTAINER PACKING		
10	AC03EDEVZV07	SWITCH COVER	1	
11	AC73KV0ZV06	SWITCH COVER PACKING	1	
12	AXTN4+16BFY	SCREW (SWITCH COVER)		SHIPPED 10 PER PACKAGE
13	AMC73B-V00	HANDLE SCREW	1	
14	AMP21B-170	NUT	1	SHIPPED 10 PER PACKAGE
15	AC61LAGMZ00	PACKING	1	
16	AMC596-702	CABLE TIE	1	
17	AMC32K-V00	FILTER SUPPORTER	1	
18	AC37KAAEZ00	HEPA FILTER	1	
19	AMC01C-V00U	WHEEL		
20	AC16CUSZ00	SHAFT (WHEEL)	1	INCLUDES ITEM 21
21	AC74SUSZ00	STOPPER (WHEEL)		
22	AXWG6E115FY	WASHER (WHEEL)		
23	AC16KDDWZ000	DUST BAG (Type U12)	1	
24	AC09FBJXZY07	MOTOR CASE	1	
25	AC02LBJYZ00	REAR COVER PACKING	1	
26	AC19FJJPZV06	MOTOR CASE PACKING	1	
27	AXTN4+20BFY	SCREW (MOTOR CASE)		SHIPPED 10 PER PACKAGE
28	AC84PJJPZV06	HOSE ASSEMBLY	1	
29	AC02HYUZV06	COVER	1	
30	AC53RJJPZV06	HOSE RING	1	
31	AXTN4+16BFY	SCREW (HOSE)		SHIPPED 10 PER PACKAGE
32	AC92FBNUZ000	FAN MOTOR	1	
33	AC99GAMMZ00	NOISE SUPPRESSOR	1	
34	AMC02F-E00	MOTOR SUPPORT (FRONT)	1	
35	AMC03F-V00	MOTOR SUPPORT (REAR)	1	
36	AC99WDKXZ000	LEAD WIRE (FUSE)	1	
37	AC38GARTZ000	LEAD WIRE	1	
38	AC64BDKXZ000	HANDLE	1	
39	AC23PJF1V07	HOSE HOLDER	1	
40	AC53EVOZV07	UPPER CORD STORAGE HOOK	1	
41	AMC76N-F70	SPRING (CORD HOOK)	1	
42	AMC58B-F70	WASHER (CORD HOOK)	1	SHIPPED 10 PER PACKAGE
43	AC50BDEVZV07	HANDLE GRIP	1	
44	AXTN4+45BFY	SCREW (CORD HOOK)		SHIPPED 10 PER PACKAGE
45	AMC37G-V200U	WIRE CORD	1	AMC37G-V200U
46	AC44DCYKZ000	WIRE CRIMP		AC44DCYKZ000
47	AC60KDEVZYU7	DUST COVER	1	AC60KDEVZYU7
48	AC01DDEVZV07	LATCH	1	AC01DDEVZV07
49	AC23DDEVZ000	SPRING	1	AC23DDEVZ000
50	AC39AYUZV00	PACKING (RIGHT)	1	AC39AYUZV00
51	AC40AYUZV00	PACKING (LEFT)	1	AC40AYUZV00
52	AC88RYUZV06	DUSTING BRUSH	1	AC88RYUZV06
53	AC60RZFZVU6	CREVICE TOOL	1	AC60RZFZVU6
54	AC40PJPZV06	WAND (WITH TABS)	1	AC40PJPZV06
55	AC40PZG1V06	WAND (EXTENSION)	1	AC40PZG1V06

2.2. Nozzle Housing

2.2.1. Exploded View



2.2.2. Parts List (Nozzle Housing)

Ref. No	Part No.	Part Name & Description	Quantity	Remarks
1	AC01ADEVZYU7	Nozzle Housing	1	
2	AC21HURZ00	Window	1	
3	AMC25S-V00	Shaft (Plastic)	1	
4	AC10AURZV06	Furniture Guard	1	
5	AMC81A-V00	Packing (Nozzle)	1	
6	AMC57A-V00	Spring (Pedal)	1	
7	AXTN4+16BFY	Screw (Pedal Spring)	1	
8	AC28SCZPZ000	Belt	1	
9	AC91AAGW1V07	Lower Plate Assembly	1	
10	AC27AAGW1V07	Lower Plate	1	
11	AMC75A-V00	Packing (Lower Plate)	1	
12	AMC43S-V00	Belt Cover	1	
13	AC68AZAZ00	Screw (Lower Plate)		
14	AC34PAFVZV06	Nozzle Hose (Short)	1	
15	AC93HURZ00	Bulb Socket	1	
16	AC84HURZW00	Reflector	1	
17	AC28GADFZ00	Bulb	1	
18	AMC78N-V00	Plastic Holder	1	