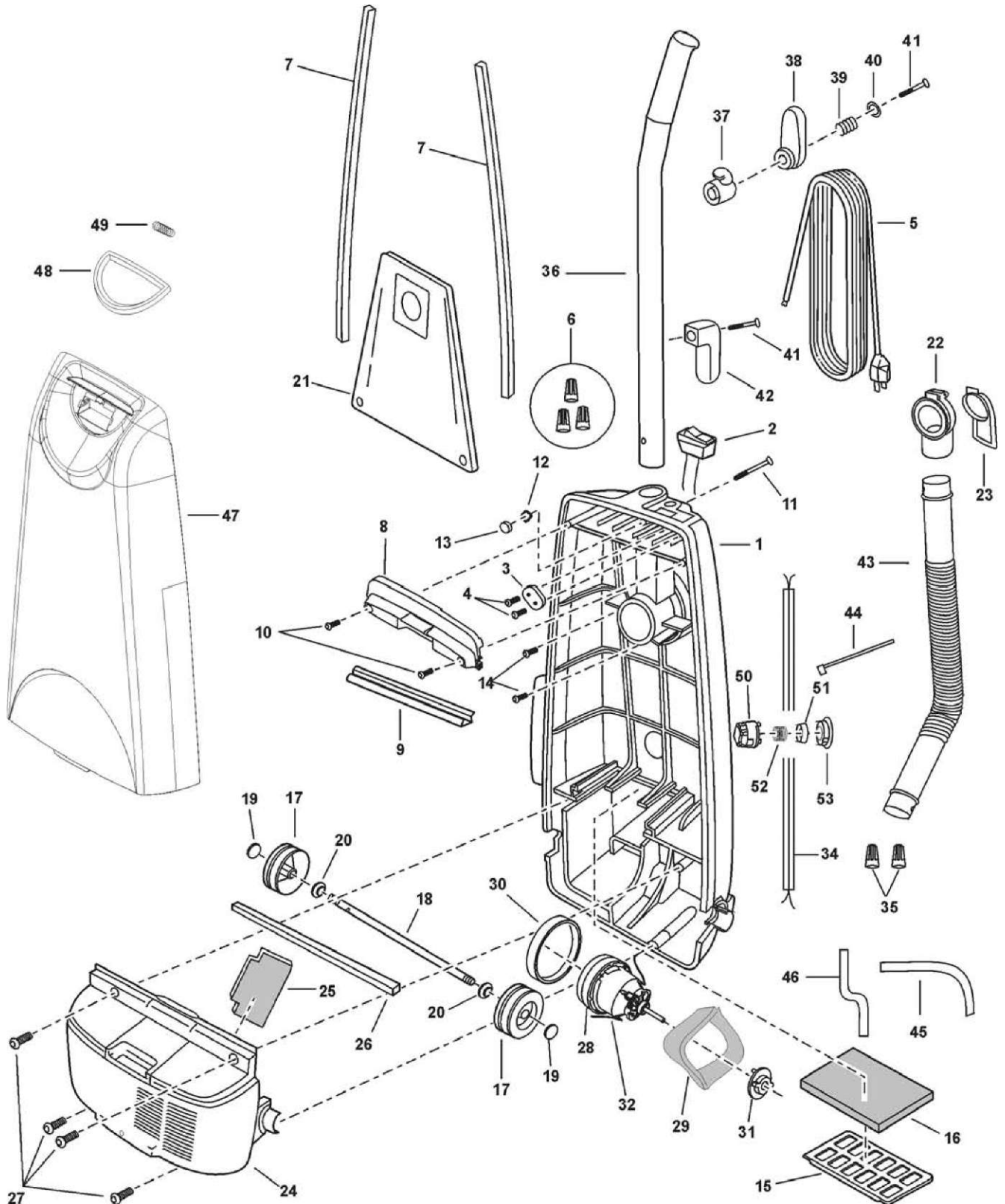


2 EXPLODED VIEW AND PARTS LIST

2.1. Body

2.1.1. Exploded View

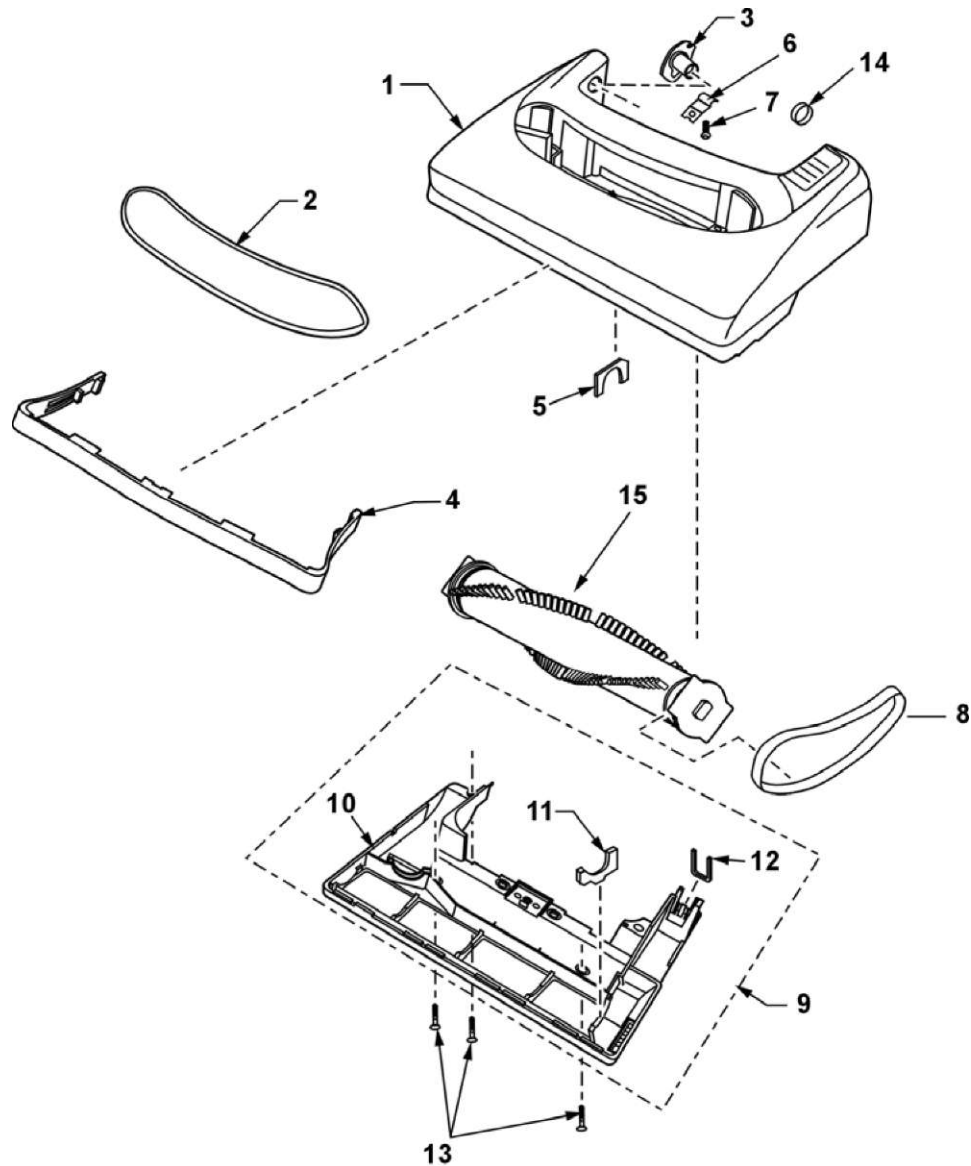


2.1.2. Parts List (Body)

Ref. No.	Part No.	Part Name & Description	Quantity	Remarks
1	P-75331	DUST COMPARTMENT	1	INCLUDES ITEMS 45 46 & 44
2	AMC98E-V010U	SSWITCH	1	INCLUDES ITEMS 3 13 & 44
3	AMC62E-J20	CORD STOPPER	1	
4	AXTN4+16BFY	SCREW (CORD STOPPER)		SHIPPED 10 PER PACKAGE
5	AC97EAEKZV06	POWER CORD	1	
6	AMC-1CTCE23	WIRE CONNECTOR		
7	AC66KV01V06	DUST CONTAINER PACKING		
8	AC03EDEVZV07	SWITCH COVER	1	
9	AC73KV0ZV06	SWITCH COVER PACKING	1	
10	AXTN4+16BFY	SCREW (SWITCH COVER)		SHIPPED 10 PER PACKAGE
11	AMC73B-V00	HANDLE SCREW	1	SHIPPED 10 PER PACKAGE
12	AMP21B-170	NUT	1	SHIPPED 10 PER PACKAGE
13	AC61LAGMZ00	PACKING (HANDLE SCREW)	1	
14	AXTN4+16BFY	SCREW (SUCTION INLET)		SHIPPED 10 PER PACKAGE
15	AMC32K-V00	FILTER SUPPORTER	1	
16	P-18020	HEPA FILTER	1	
17	AC01CVZV07	WHEEL		SHIPPED 2 PER PACKAGE
18	AC16CUSZ00	SHAFT (WHEEL)	1	INCLUDES ITEM 19
19	AC74SUSZ00	STOPPER (WHEEL)		SHIPPED 10 PER PACKAGE
20	AXWG6E115FY	WASHER (WHEEL)		SHIPPED 10 PER PACKAGE
21	P-MC155M	DUST BAG (Type U12)	1	
22	AC60HF74VU6	SUCTION INLET	1	
23	AMC02H-F70E	COVER	1	
24	P-75141	MOTOR CASE	1	
25	AC02LBJYZ00	REAR COVER PACKING	1	
26	AC19FJPEZV06	MOTOR CASE PACKING	1	
27	AXTN4+20BFY	SCREW (MOTOR CASE)		SHIPPED 10 PER PACKAGE
28	P-60145	FAN MOTOR	1	
29	AC99GAMMZ00	NOISE SUPPRESSOR	1	
30	AMC02F-E00	MOTOR SUPPORT (FRONT)	1	
31	AMC03F-V00	MOTOR SUPPORT (REAR)	1	
32	AC99WAJDZ00	LEAD WIRE (FUSE)	1	
33	AC38GARTZ000	LEAD WIRE	1	
34	AMC37G-V020U	WIRE CORD	1	
35	AMC-1CTCE23	WIRE CONNECTOR		
36	AMC64B-V2Z00	HANDLE	1	
37	AC55EVOZV07	CORD STORAGE BASE	1	
38	AC53EVOZV07	UPPER CORD STORAGE	1	
39	AMC76N-F70	SPRING (CORD HOOK)	1	
40	AMC58B-F70	WASHER (CORD HOOK)	1	SHIPPED 10 PER PACKAGE
41	AXTN4+30BFY	SCREW (CORD HOOK)		SHIPPED 10 PER PACKAGE
42	AC54EVOZV07	LOWER CORD STORAGE HOOK	1	
43	P-73607	HOSE	1	
44	AMC596-702	CABLE TIE	1	SHIPPED 10 PER PACKAGE
45	AC39AYUZV00	PACKING (RIGHT)	1	
46	AC40AYUZV00	PACKING (LEFT)	1	
47	AC60KDEVZPUC	DUST COVER	1	
48	AC01DDEVZV07	LATCH	1	
49	AC23DDEVZ000	SPRING	1	
50	AC68KJMZV06	PROTECTOR CASE	1	
51	AC69KJMZV06	SPROTECTOR	1	
52	AC70KAHHZB00	SPRING (PROTECTOR)	1	
53	AC18MJMZV06	PROTECTOR SUPPORT	1	

2.2. Nozzle Housing

2.2.1. Exploded View



2.2.2. Parts List (Nozzle Housing)

Ref. No.	Part No.	Part Name & Description	Quantity	Remarks
1	P-73207	NOZZLE HOUSING	1	
2	AC21HURZP0C	WINDOW	1	
3	AMC25S-V00	PLASTIC SHAFT	1	
4	AC10AURZV07	FURNITURE GUARD	1	
5	AMC81A-V00	NOZZLE PACKING	1	
6	AMC57A-V00	PEDAL SPRING	1	
7	AXTN4+16BFY	SCREW (PEDAL SPRING)	1	SHIPPED 10 PER PACKAGE
8	P-MC270BV	BELT	1	
9	P-76024	LOWER PLATE ASSEMBLY	1	INCLUDES ITEMS 10 11 & 12
10	AC27AAGW1V07	LOWER PLATE	1	
11	AMC75A-V00	BODY PACKING	1	
12	AMC43S-V00	BELT COVER	1	
13	AC68AZAZ00	SCREW (LOWER PLATE)	1	SHIPPED 10 PER PACKAGE
14	AMC78N-V00	PLASTIC HOLDER	1	
15	P-20058	AGITATOR	1	