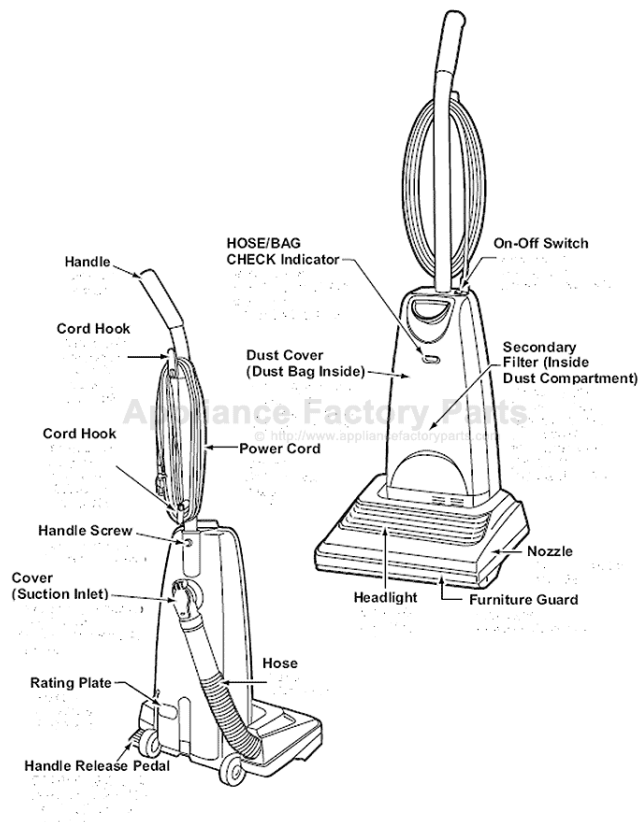


This Owner's Manual is provided and hosted by [Appliance Factory Parts](http://Appliance Factory Parts).



# PANASONIC MC-UG585 Owner's Manual

[Shop genuine replacement parts for PANASONIC  
MC-UG585](#)



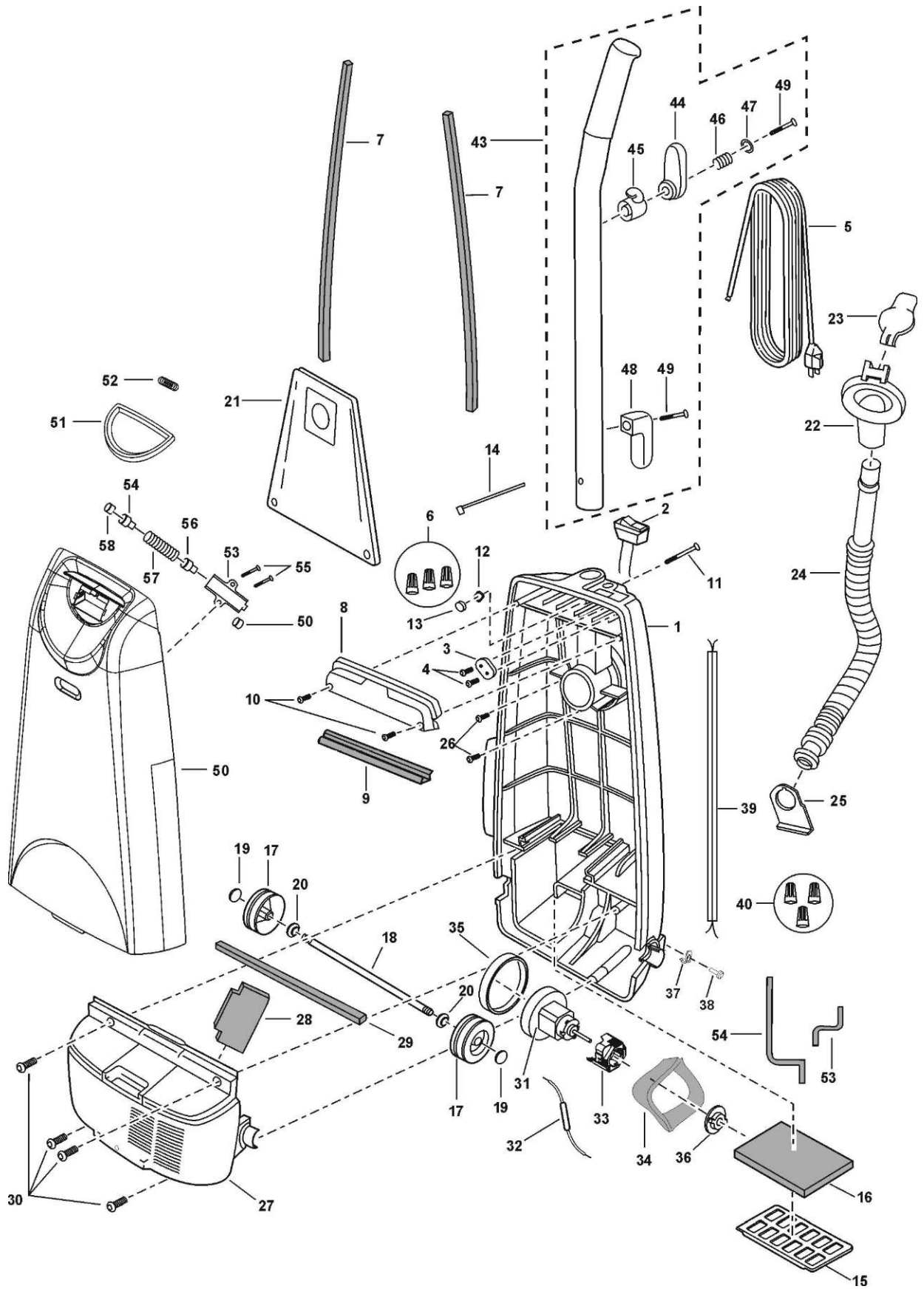
[Find Your PANASONIC Vacuum Cleaner Parts - Select From 605 Models](#)

----- Manual continues below -----

## 2 EXPLODED VIEW AND PARTS LIST

### 2.1. Body

#### 2.1.1. Exploded View

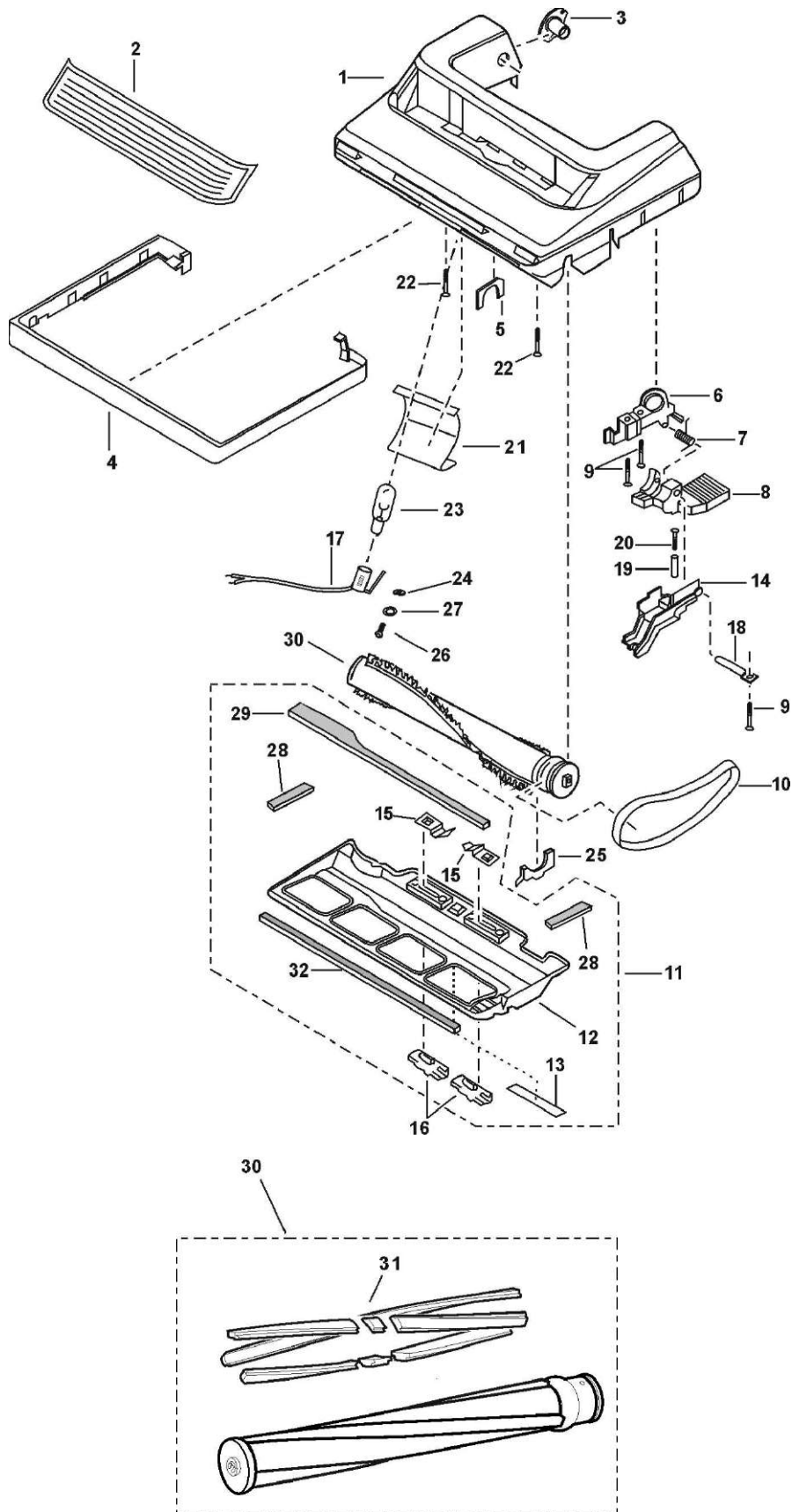


## 2.1.2. Parts List (Body)

Ref. No.	Part No.	Part Name & Description	Quantity	Remarks
1	P-75333	DUST COMPARTMENT	1	
2	AMC98E-V010U	SWITCH	1	
3	AMC62E-J20	CORD STOPPER	1	
4	AXTN4+16BFY	SCREW (CORD STOPPER)		SHIPPED 10 PER PACKAGE
5	AC97EAEEZV06	POWER CORD (POLAR)	1	
6	AMC-1CTCE23	WIRE NUT		SHIPPED 10 PER PACKAGE
7	AC66KV01V06	DUST CONTAINER PACKING		SHIPPED 2 PER PACKAGE
8	AC03EDEVZV07	SWITCH COVER	1	
9	AC73KV0ZV06	SWITCH COVER PACKING	1	
10	AXTN4+16BFY	SCREW (SWITCH COVER)		SHIPPED 10 PER PACKAGE
11	AMC73B-V00	HANDLE SCREW	1	SHIPPED 10 PER PACKAGE
12	AMP21B-170	NUT	1	SHIPPED 10 PER PACKAGE
13	AC61LAGMZ00	PACKING	1	
14	AMC596-702	CABLE TIE	1	SHIPPED 10 PER PACKAGE
15	AMC32K-V00	FILTER SUPPORTER	1	
16	P-18020	HEPA FILTER	1	
17	AC01CVZV07	WHEEL		SHIPPED 2 PER PACKAGE
18	AC16CUSZ00	SHAFT (WHEEL)	1	INCLUDES ITEM 19
19	AC74SUSZ00	STOPPER (WHEEL)		SHIPPED 10 PER PACKAGE
20	AXWG6E115FY	WASHER (WHEEL)		SHIPPED 10 PER PACKAGE
21	P-MC155M	DUST BAG (Type U12)	1	
22	AC60HF74VU6	SUCTION INLET	1	
23	AMC02H-F70E	COVER	1	
24	P-73607	NOZZLE HOSE	1	
25	AMC24P-2V0	HOSE FITTING	1	
26	AXTN4+16BFY	SCREW (SECTION INLET)		SHIPPED 10 PER PACKAGE
27	P-75143	MOTOR CASE	1	
28	AMC02L-V00	REAR COVER PACKING	1	
29	AC19FARSZV06	MOTOR CASE PACKING	1	
30	AXTN4+20BFY	SCREW (MOTOR CASE)		SHIPPED 10 PER PACKAGE
31	P-60165	MOTOR	1	
32	AC99WDACZ000	LEAD WIRE (FUSE)	1	
33	AC26FDDWZU01	MOTOR CAP	1	
34	AC99GAMMZ00	NOISE SUPPRESSOR	1	
35	AC02FJPPZ00	MOTOR SUPPORT (FRONT)	1	
36	AMC03F-V00	MOTOR SUPPORT (REAR)	1	
37	AC83DDAAZU00	LOCKING CAM	1	
38	AXTS3+12KFYY	SCREW (LOCKING CAM)	1	
39	AMC37G-V200U	WIRE CORD	1	
40	AMC-1CTCE23	WIRE NUT		SHIPPED 10 PER PACKAGE
41	AC39AARSZV00	PACKING (RIGHT)	1	
42	AC40AARSZV00	PACKING (LEFT)	1	
43	AC95BCZZV07	HANDLE ASSY	1	INCLUDES ITEMS 40, 41, 42, 43, 44 and 45
44	AC53EV0ZV07	UPPER CORD STORAGE	1	
45	AC55EV0ZV07	CORD STORAGE BASE	1	
46	AMC76N-F70	SPRING (CORD HOOK)	1	
47	AMC58B-F70	WASHER (CORD STORAGE HOOK)	1	SHIPPED 10 PER PACKAGE
48	AC54EV0ZV07	LOWER CORD STORAGE HOOK	1	
49	AXTN4+30BFY	SCREW (CORD STORAGE HOOK)		SHIPPED 10 PER PACKAGE
50	AC60KDEXZBUQ	DUST COVER DECO	1	
51	AC01DDEVZV07	LATCH	1	
52	AC23DDEVZ000	LATCH SPRING	1	
53	AC15MVZ00	BODY (INDICATOR)	1	
54	AMC17M-V20	INDICATOR CAP	1	
55	AXTN4+10BFY	SCREW INDICATOR		SHIPPED 10 PER PACKAGE
56	AMC03M-68ZR0	INDICATOR LEAD	1	
57	AC04MRFZ00	INDICATOR SPRING	1	
58	AMC09M-L30	INDICATOR PACKING	1	

## 2.2. Nozzle Housing

### 2.2.1. Exploded View



## 2.2.2. Parts List (Nozzle Housing)

Ref. No	Part No.	Part Name & Description	Quantity	Remarks
1	P-73209	Nozzle Housing	1	
2	AMC21H-2X0	Window	1	
3	AMC25S-V00	Shaft (Plastic)	1	
4	AC10A2VZV07	Furniture Guard	1	
5	AMC81A-V00	Packing (Nozzle)	1	
6	AMC43A-2V0	Frame	1	
7	AMC58A-2V0	Spring (Pedal)	1	
8	AC47ADAAZM0E	Pedal	1	
9	AXTN4+16BFY	Screw (Frame)		Shipped 10 per package
10	P-MC270BV	Belt	1	
11	P-76017	Lower Plate Assembly	1	Includes 12, 13, 15, 16, 28, 29, and 32
12	AC27AADGZ00	Lower Plate	1	Includes 13 (Label)
13	AC07ZADZF00	Warning Label	1	
14	AMC11S-2V0W	Belt Cover (Rear)	1	
15	AC70NYUZ00	Stop Latch Spring		Shipped 2 per package
16	AMC68N-V30K	Latch		
17	AC93HURZ00	Bulb Socket	1	
18	AMC51A-2V0	Pedal Shaft	1	
19	AMC74S-Z100G	Spacer	1	Shipped 10 per package
20	AXTN4+30BFY	Screw (Spacer)	1	Shipped 10 per package
21	AC84HURZW00	Reflector	1	
22	AMC68A-V30	Screw (Nozzle)		Shipped 10 per package
23	AC28GADFZ00	Bulb	1	
24	AMC-XWA5BFY	Spring (Washer)	1	Shipped 10 per package
25	AMC82A-2V0	Agitator Holder	1	
26	AXTN4+10BFY	Screw (Bulb Socket)	1	Shipped 10 per package
27	AMC58B-F70	Washer	1	Shipped 10 per package
28	AMC39A-2V0	Packing (Lower Plate Right)		
29	AMC74A-2V0	Packing (Lower Plate Back)	1	
30	P-20043	Agitator Assembly	1	Includes Item 31
31	AC85RJM2U00	Brush (3 Pcs.)	1 (Set)	
32	AC74AAAEZ00	Packing (Lower Plate Front)	1	