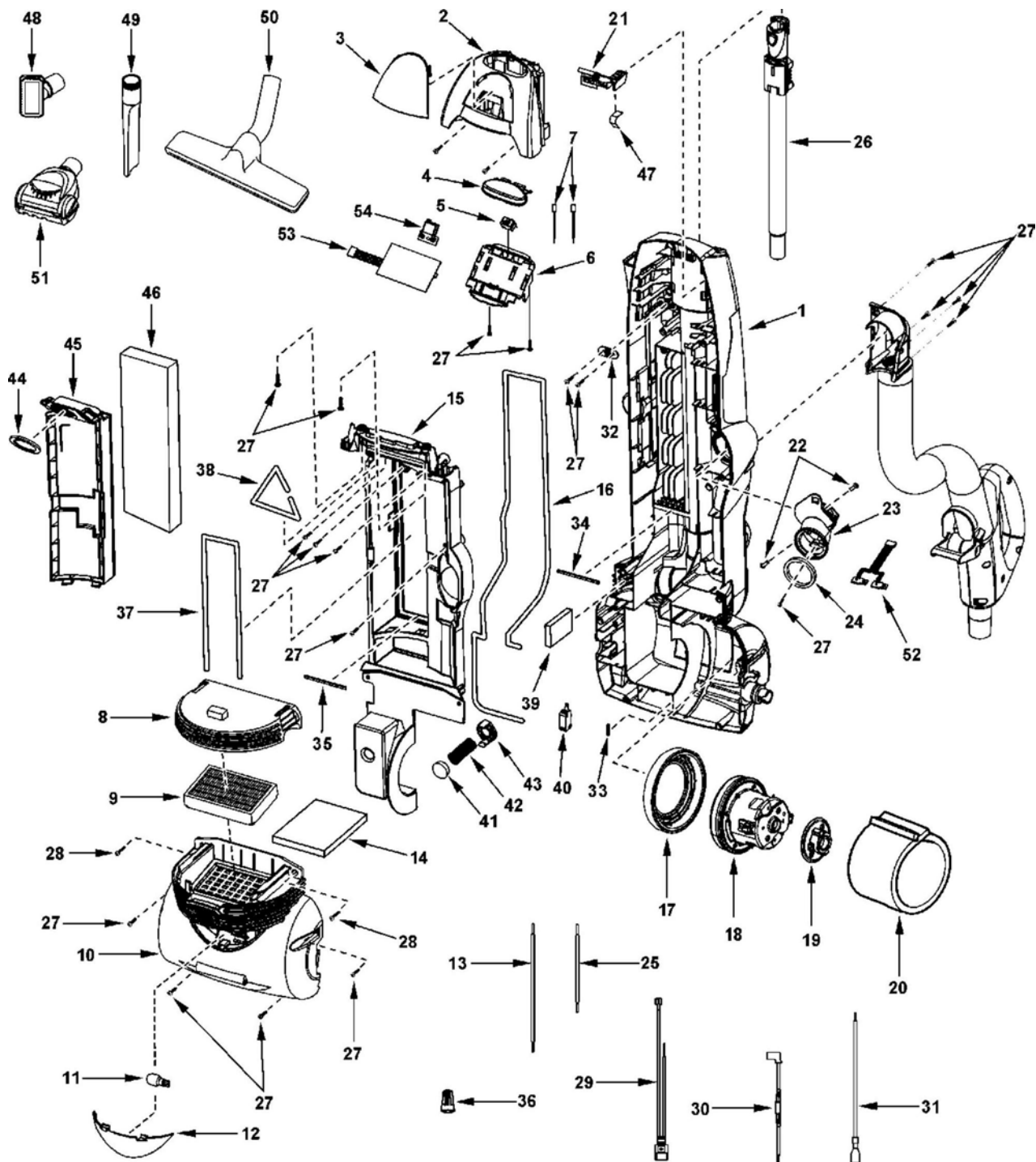


2 EXPLODED VIEW AND PARTS LIST

2.1. Body - Front

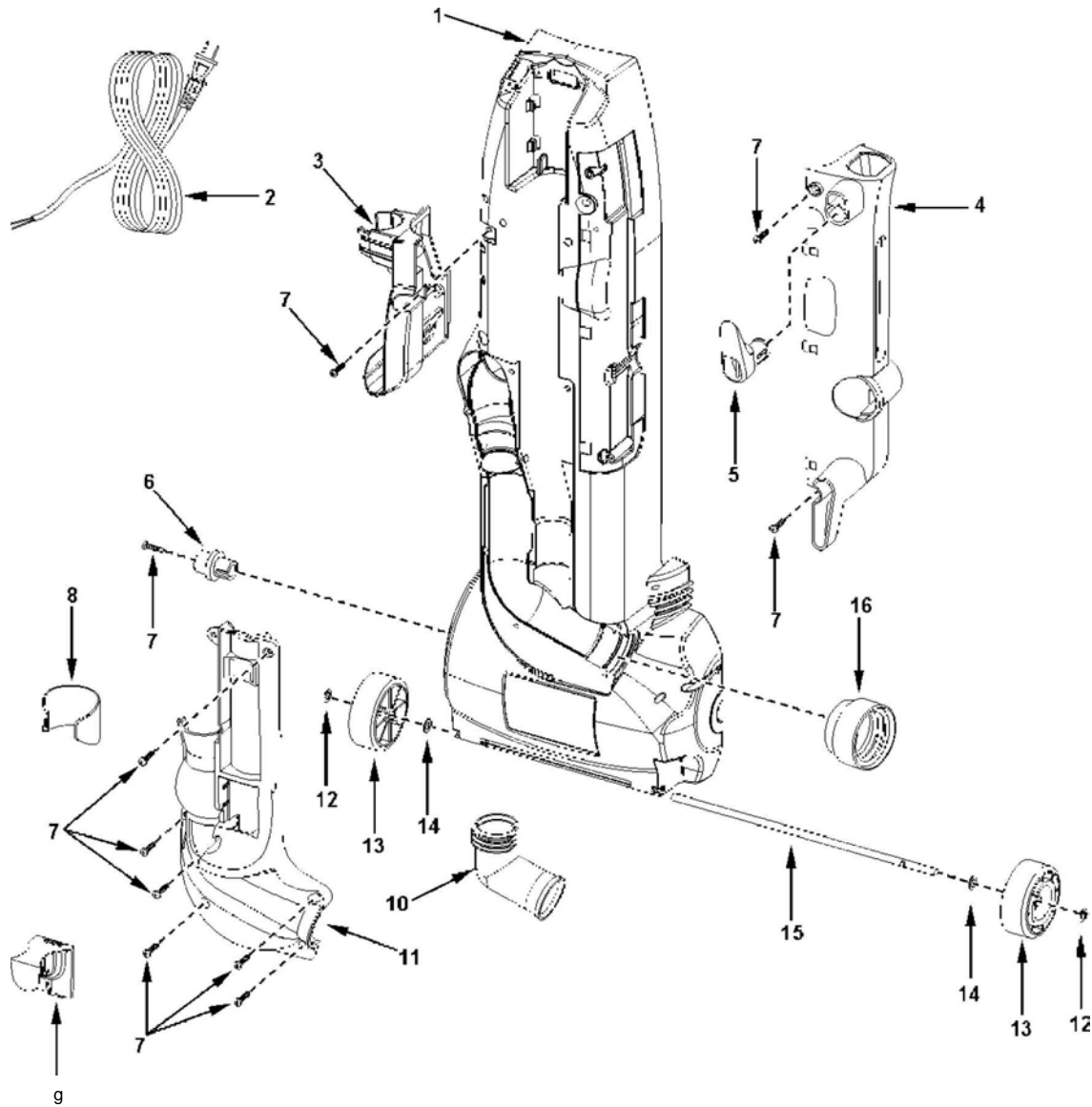
2.1.1. Exploded View



2.1.2. Parts List

Ref. No.	Part No.	Part Name & Description	Remarks	
1	AC40KDKEZV07	Dust Compartment	1	
2	AC03EDKEZS04	Switch Cover	1	
3	AC0 8MDKEZUU4	Lens	1	
4	AC05EDKDZSU1	Switch Button	1	
5	AC01EDDRZ000	Switch ON/OFF	1	
6	AC12EDKEZ000	Switch Support	1	
7	AC85GCXWZ000	Lead Wire Unit - Black		
8	AC41KDKEZV07	Filter Cover	1	
9	AC38KAXVZ000	Exhaust Filter - HEPA	1	
10	AC09FDKEZS04	Motor Case	1	
11	AC2 8GBKHZ000	Bulb	1	
12	AC21HCXWZ000	Window	1	
13	AC85WDDWZ000	Wire	1	
14	AC02LCXWZ000	Rear Cover Packing	1	
15	AC6 0KDKEZV07	Dust Cover	1	
16	AC19ACPTZ000	Body Packing		
17	AC02FCJNZ000	Motor Support Rubber Front	1	
18	AC84CDKEZ000	Fan Motor Unit	1	Includes Packing
19	AMC03F-V00	Motor Support Rubber Rear	1	
20	AC99GAMMZ000	Noise Suppressor	1	
21	AC15KXCXWZV04	Fastener	1	
22	AXTN3+8BFY	Screw		Shipped 10 per package
23	AC10KDKEZV07	Bag Supporter Assembly	1	
24	AC64HDKEZ000	Suction Inlet Packing	1	
25	AC43GBKGZ000	Lead Wire - White	1	
26	AC99PCXWZV07	Extension Wand Assembly	1	
27	AXTN4+16BFY	Screw	15	Shipped 10 per package
28	AXTN4+2 0BFY	Screw	4	Shipped 10 per package
29	AC9 3HCHDZ000	Bulb Socket	1	
30	AC99WDKEZ000	Lead Assembly	1	
31	AC85WDGWZ000	Lead Wire - White	1	
32	AMC62E-J20	Cord Stopper	1	
33	AC19ADDSZ000	Body Packing	1	
35	AC75ADKEZ000	Packing	1	
36	AMC-1CTCE23	Wire Nut		Shipped 10 per package
37	AC6 6KDKEZ000	Packing	1	
38	AC6 6KDKDZ000	Packing	1	
39	AC25JDKEZ000	Filter	1	
40	AC98EYUZ00	Switch ON/OFF	1	
41	AC 69KJMZV07	Protector	1	
42	AC70KXBZZY00	Protector Spring	1	
43	AC68KAJDZV07	Protector Case	1	
44	AC7 4KDHKZ000	Dust Packing	1	
45	AC32KDKEZ000	Filter Supporter	1	
46	AC92KDKEZ000	Semi Filter Unit	1	
47	AC18DCXWZ000	Spring Release Button	1	
48	AC6 3RDDRZV06	Combination Brush	1	
49	AC6 0RAKZ 2V06	Crevice Tool	1	
50	AC96RCNFBZV06	Floor Brush	1	
51	AC80SCWZZV0N	Air Turbine	1	
52	AC87GDHHZ000	PCB Assembly	1	
53	AC87GDHKZ000	Dirt Sensor PCB	1	
54	AC47VDGMZ000	LED Unit	1	

2.2. Body - Rear

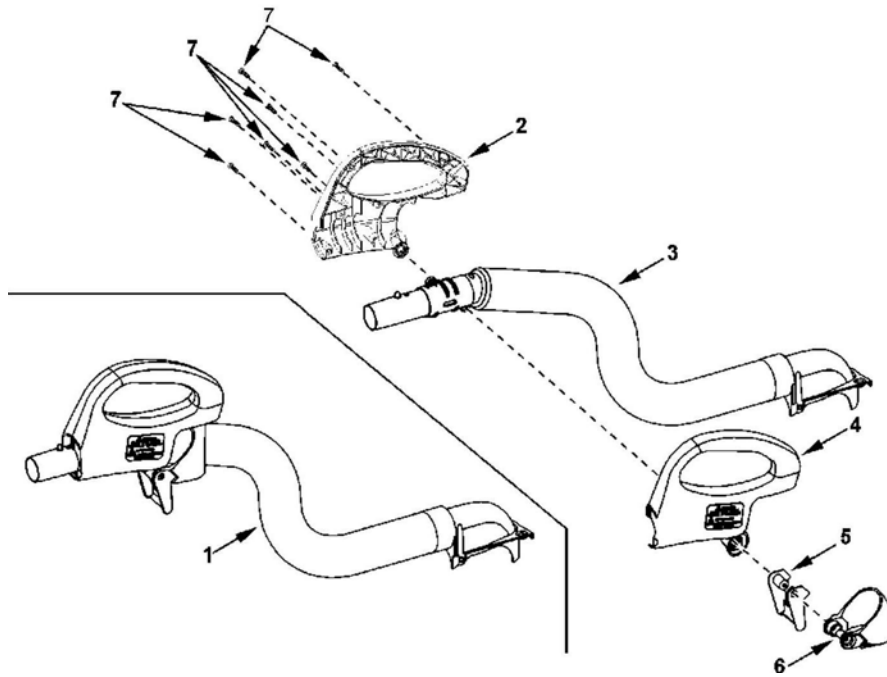


2.2.1. Parts List

Ref. No.	Part No.	Part Name & Description	Quantity	Remarks
1	AC40KDKEZV07	Dust Compartment	1	
2	AC97EAACZV06	Power Cord	1	
3	AC66PDKEZV07	Tool Caddy	1	
4	AC32RCXWZV07	Attachment Holder	1	
5	AC53ECWZV07	Cord Hook	2	
6	AC13ECRCZ000	Nut - Nozzle Spring	1	
7	AXTN4+16BFY	Screw	10	Shipped 10 per package
8	AC23PCXWZV07	Hose Holder	1	
9	AC53EDDRZV07	Cord Storage Hook - Lower	1	
10	AC39LDKEZV07	Air Guide	1	
11	AC48HCXWZV07	Rear Cover	1	
12	AC74SUSZ00	Stopper Wheel	2	
13	AC99CBSAZV06	Wheel Unit	2	
14	AXWG6E115FY	Washer	2	
15	AC16CBBRZ000	Roller Shaft	1	
16	AC29QBKHZV06	Dust Packing	1	

2.3. Handle

2.3.1. Exploded View

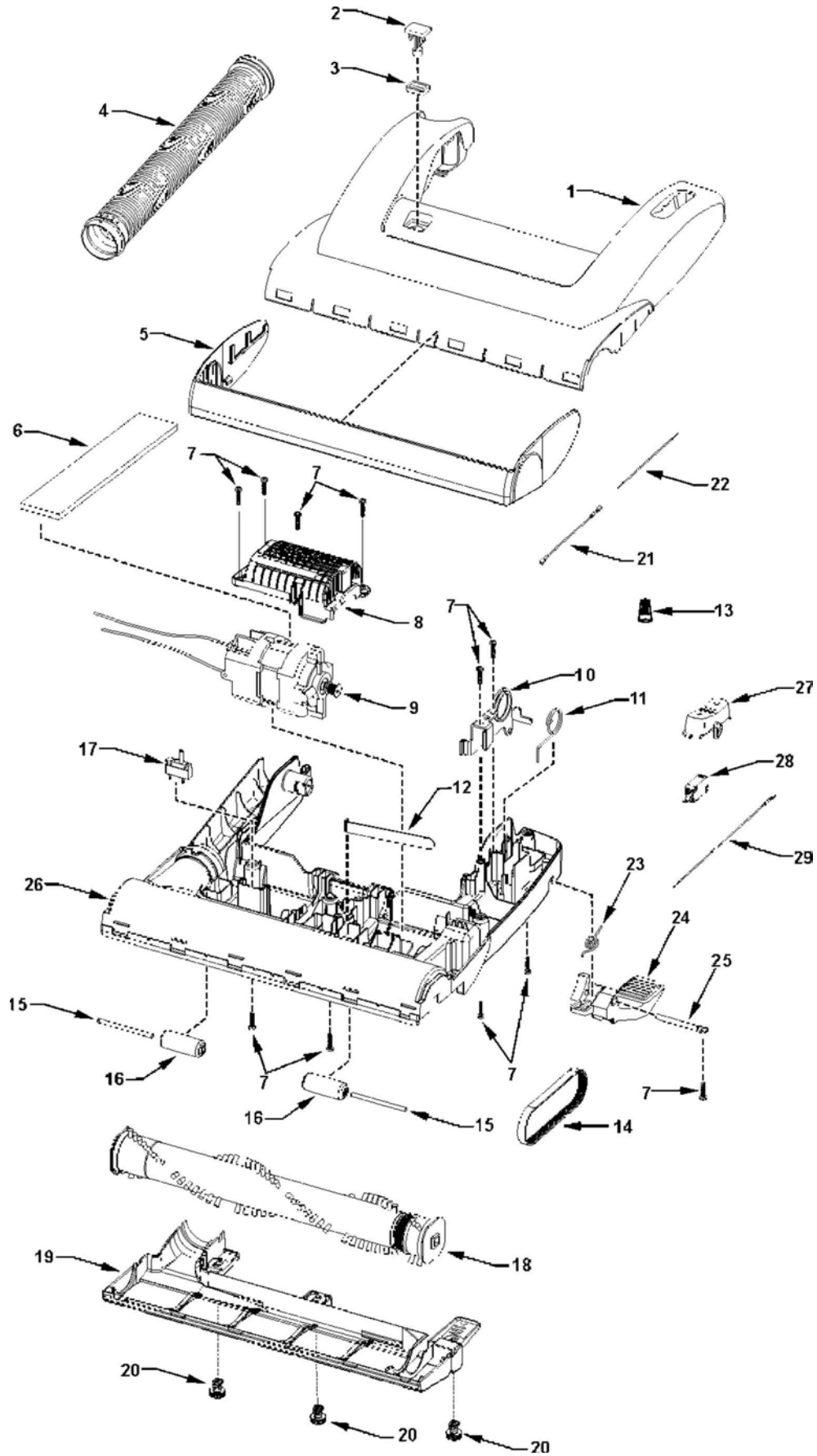


2.3.2. Parts List

Ref. No.	Part No.	Part Name & Description	Quantity	Remarks
1	AC95BCXWZV07	Handle Unit	1	
2	AC50BCXWZV07	Handle Grip - Right (Overmold)	1	
3	AC8 4PCXWZV0 6	Hose Unit	1	
4	AC6 7BCXWZV07	Handle Grip - Left (Overmold)	1	
5	AC2 4PCXWZV07	Hose Support	1	
6	AC2 7PCXWZV07	Hose Rotary Cover	1	
7	AXTN4+16BFY	Screw	7	Shipped 10 per package

2.4. Nozzle Housing

2.4.1. Exploded View

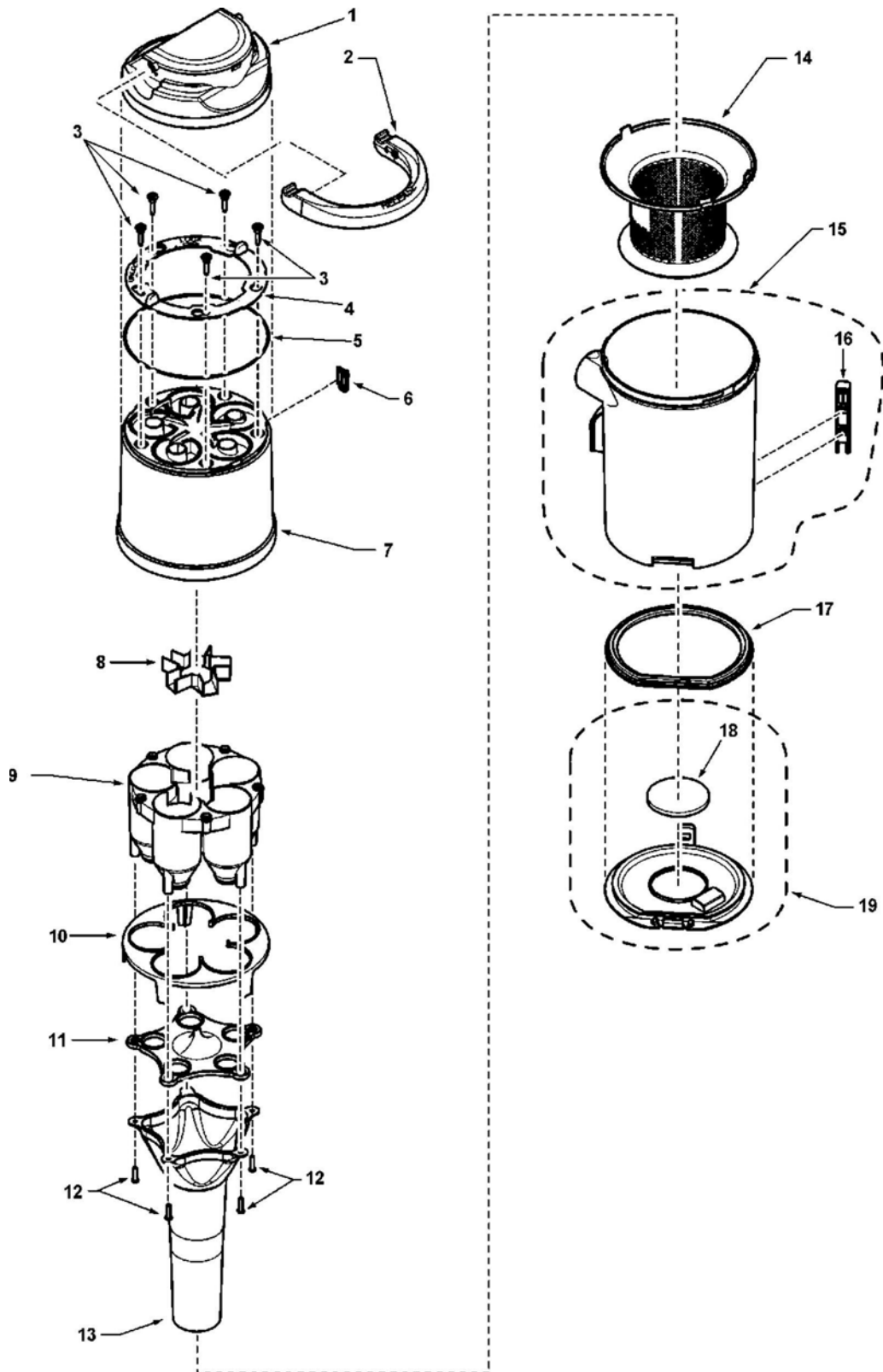


2.1.2. Parts List

Ref. No.	Part No.	Part Name & Description	Quantity	Remarks
1	AC01ADKEZSU4	Nozzle Housing	1	
2	AC13DCXWZVU4	Button	1	
3	AC 75ACXWZ000	Packing	1	
4	AC34PCRAZV06	Nozzle Pipe	1	
5	AC10ACXWZV06	Furniture Guard	1	
6	AC747156	Motor Gasket	1	
7	AXTN4+16BFY	Screw	11	Shipped 10 per package
8	AC26FCXWZ000	Motor Cap	1	
9	AC9 0FCUZZ000	Motor Assembly	1	
10	AMC4 3A-2V0	Frame	1	
11	AC 40RCXWZ000	Floor Nozzle Spring	1	
12	AMC742-002	Motor Adjustment Spring	1	
13	AMC-1CTCE2 3	Wire Nut	1	Shipped 10 per package
14	AC28SCXWZ000	Belt	1	
15	AC16CBBRZ00	Roller Shaft		
16	AC99CCXWZV07	Wheel		
17	AC76KDGZ000	Overload Protector	1	
18	AC92SDJSZ000	Agitator Assembly	1	
19	AC27ACXWZV07	Lower Plate	1	
20	AC08DDBVZV07	Nozzle Latch		
21	AC85GDKDZ000	Lead Wire - Black	1	
22	AC85WDCAZ000	Lead Wire - White	1	
23	AC58AAFVZ00	Pedal Spring	1	
24	AC47A2VZV06	Pedal	1	
25	AMC51A-2V0	Pedal Shaft	1	
26	AC03ACXWZV07	Lower Body	1	
27	AC05EDKEZV04	Switch Pedal / Button	1	
28	AC98EYUZ00	Switch ON/OFF	1	
29	AC85GDKFZ000	Lead Wire - Black	1	

2.5. Dust Bin Assembly

2.5.1. Exploded View



2.1.2. Parts List

Ref. No.	Part No.	Part Name & Description	Quantity	Remarks
1	AC2 0HDKEZV0Q	Lid	1	
2	AC64BDGMZV07	Handle	1	
3	AMC6 8A-V30	Screw		
4	AC15KDHKZV04	Fastner	1	
5	AC7 4EDHKZ000	Air Path Seal	1	
6	AC83DDHKZV04	Locking Cam	1	
7	AC7 5KDKEZVUQ	Dust Box Terminal	1	
8	AC21VDGMZU03	Air Guide Blade	1	
9	AC39LDGMZV04	Air Guide	1	
10	AC7 3HDGMZS01	Partition Plate	1	
11	AC04LDGMZV04	Gasket	1	
12	AXTN4+16BFY	Screw		Shipped 10 per package
13	AC36KDKEZV04	Supporter Unit	1	
14	AC4 3KDKEZS01	Pre-Filter	1	
15	AC42KDKEZ0U0	Filter Case	1	
16	AC48KDGZV07	Slider	1	
17	AC73KDGZV06	Dust Box Packing	1	
18	AC74KDGZ000	Dust Packing	1	
19	AC25KDGZ000	Dust Box Plate	1	