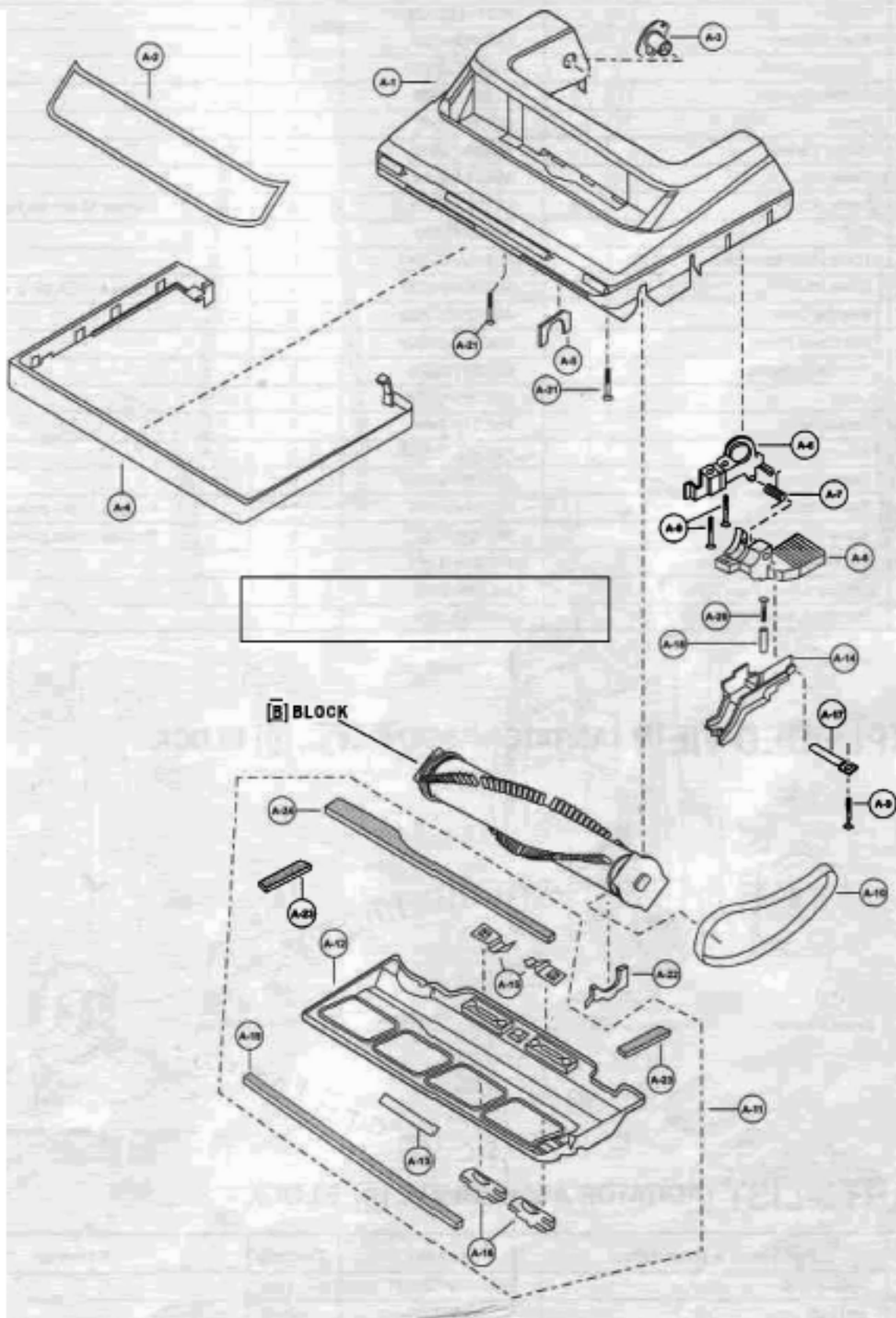


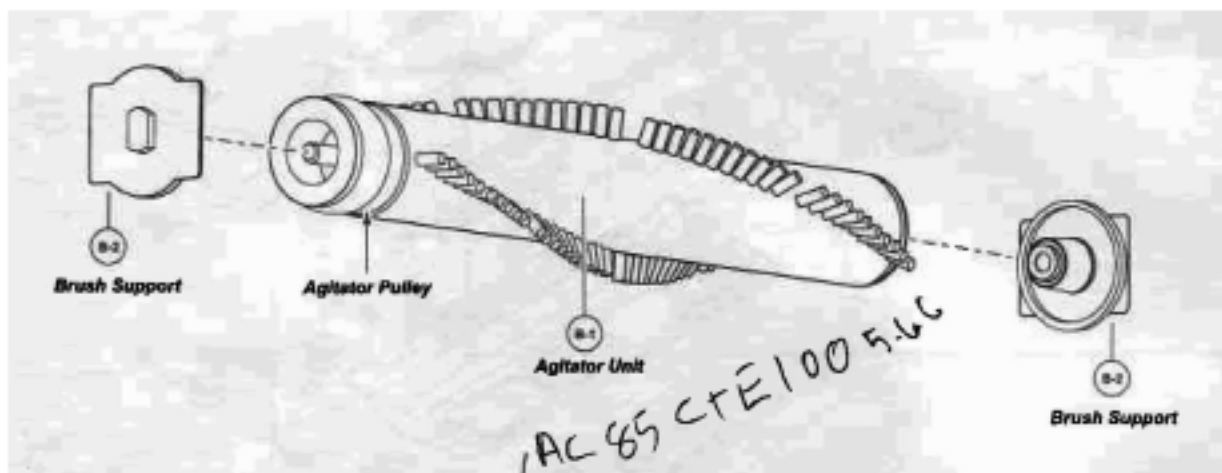
EXPLODED VIEW (NOZZLE HOUSING)... [A] BLOCK



PARTS LIST (NOZZLE HOUSING)... [A] BLOCK

Ref. No.	Part Name & Description	Part No.	Quantity	Remarks
A - 1	Nozzle Housing	AC01ABFCZYU2	1	Furniture Guard Glued On
A - 2	Window	AC21H2XZY02	1	
A - 3	Shaft (Plastic)	AMC25B-V00	1	
A - 4	Furniture Guard	AC10A2VZV07	1	
A - 5	Packing (Nozzle)	AWIC81A-V00	1	
A - 6	Frame	AMC43A-2V0		
A - 7	Spring (Pedal)	AMC58A-2V0	1	
A - 8	Pedal	AMC47A-2V0U	1	
A - 9	Screw (Frame)	AXTN4+16BFY	3	Shipped 10 per package
A - 10	Belt	AC28SJPZ00	1	
A - 11	Lower Plate Assembly	AC91AARFZ00	1	
A - 12	Lower Plate	AC27AARFZ00	1	Includes A-13, A-23, & A-24
A - 13	Warning Label	AC07ZADFZ00	1	
A - 14	Belt Cover (Rear)	AMC11B-2V0W	1	
A - 15	Stop Latch Spring	AC70NYUZ00		
A - 16	Latch	AMC68N-V30K		
A - 17	Pedal Shaft	AMC51A-2V0	1	
A - 18	Spacer	AMC74B-Z100G	1	
A - 19	Packing (Lower Plate Front)	AC74AAAEZ00	1	
A - 20	Screw (Spacer)	AXTN4+28BFY	1	Shipped 10 per package
A - 21	Screw (Nozzle)	AMC68A-V30		Shipped 10 per package
A - 22	Felt Packing	AMC82A-2V0	1	
A - 23	Packing (Lower Plate Sides)	AMC39A-2V0		
A - 24	Packing (Lower Plate Back)	AMC74A-2V0	1	

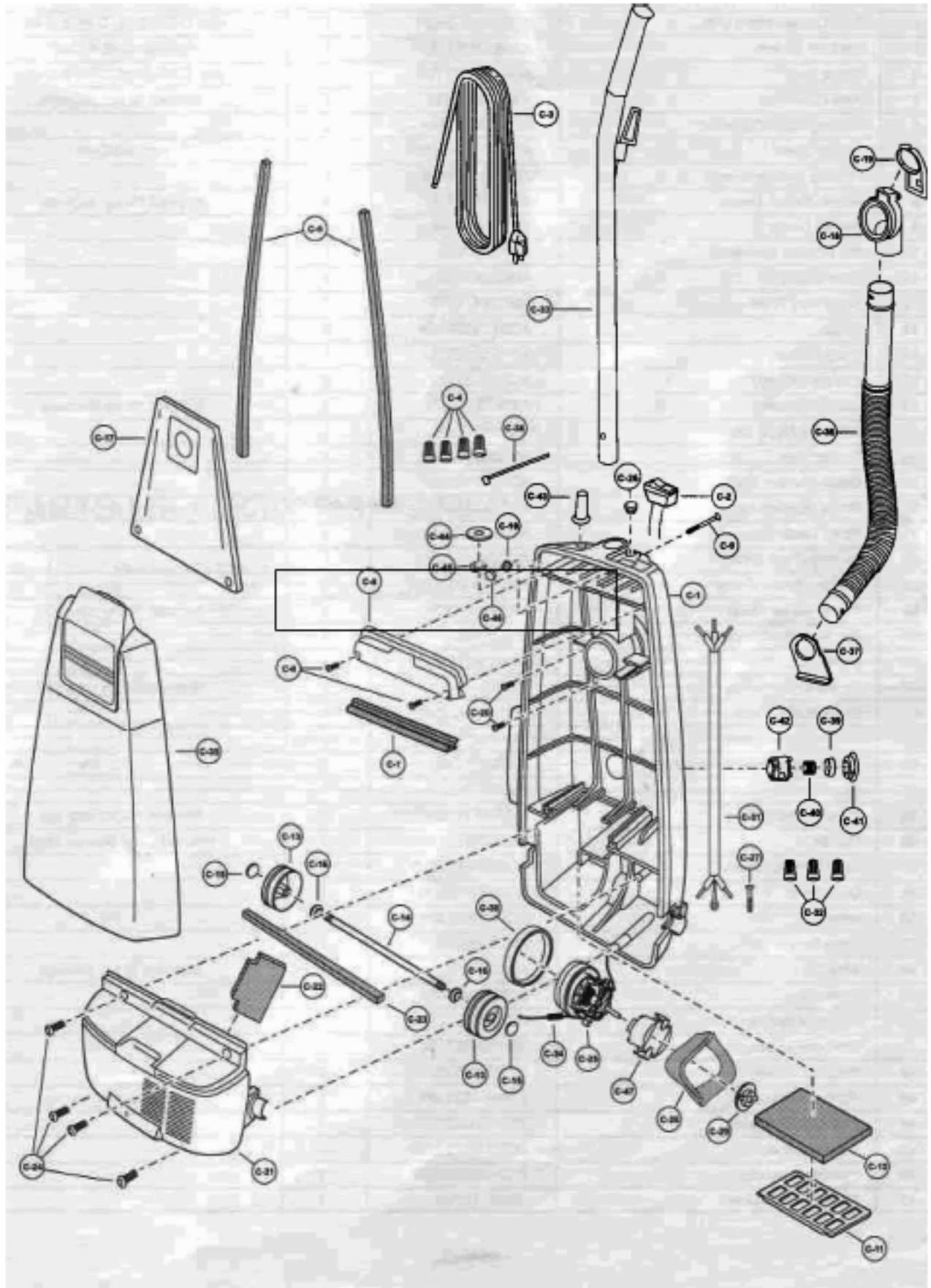
EXPLODED VIEW (AGITATOR ASSEMBLY)... [B] BLOCK



PARTS LIST (AGITATOR ASSEMBLY)... [B] BLOCK

Ref. No.	Part Name & Description	Part No.	Quantity	Remarks
B - 1	Agitator Unit	AC84BFZU10	1	
B - 2	End Cap		2	

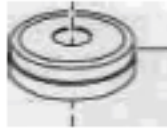
• EXPLODED VIEW (BODY, MOTOR HOUSING, AND MOTOR)... 00 BLOCK



• PARTS LIST (MOTOR HOUSING, MOTOR, HANDLE, AND BODY)... [C] BLOCK

Ref. No.	Part Name & Description	Part No.	Quantity	Remarks
C - 1	Dust Compartment Unit	AC88KARFZU01	1	Incl. C-38, C-44, C-46 & C-48
C - 2	ON/OFF Switch	AC98EARFZ0U	1	Includes C-38 & C-48
C - 3	Power Cord	AC94EARFZY02	1	Incl. C-38, C-44, C-45 & C-48
C - 4	Wire Connector	AMC-1CTCE23		Shipped 10 per package
C - 5	Packing (Dust Container)	AC66KVD1V06		
C - 6	Switch Cover	AC03EARFZV06	1	Includes C-48
C - 7	Packing (Switch Cover)	AC73KV0ZV06	1	
C - 8	Screw (Switch Cover)	AXTN4+16BFY		Shipped 10 per package
C - 9	Handle Screw	AMC73B-V00	1	
C - 10	Nut (Handle Screw)	AMP21B-170	1	
C - 11	Filter Supporter	AMC32K-V00	1	
C - 12	Secondary Filter	AMC37K-V00	1	
C - 13	Wheel	AC01CV0ZV06		
C - 14	Shaft (Wheel)	AC16CUBZ00	1	
C - 15	Stopper (Wheel)	AC74BUBZ00		
C - 16	Washer (Wheel)	AXWG6E115FY		Shipped 10 per package
C - 17	Dust Bag (Type U6)	AC16KJYZ00	1	
C - 18	Suction Inlet	AC60HF74VU6	1	
C - 19	Cover (Suction Inlet)	AC02HF73V07	1	
C - 20	Screw (Suction Inlet)	AXTN4+16BFY		Shipped 10 per package
C - 21	Motor Case	AC99FARFZU01	1	
C - 22	Packing (Rear Cover)	AMC02L-V00	1	
C - 23	Packing (Motor Case)	AC19FJPZV06	1	
C - 24	Screw (Motor Case)	AXTN4+20BFY		Shipped 10 per package
C - 25	Fan Motor Unit	AC02FTEZ0U	1	
C - 26	Cover Cap	AC38HAPNZ0U	1	
C - 27	Screw, Ground	AXYN4+E10FFY	1	Shipped 10 per package
C - 28	Noise Suppressor	AC99GAMMZ00	1	
C - 29	Motor Support (Rear)	AMC03F-V00	1	
C - 30	Motor Support Rubber (Front)	AMC02F-E00	1	
C - 31	Wire Cord	AC37GTEZ0U	1	
C - 32	Wire Connector	AMC-1CTCE23		Shipped 10 per package
C - 33	Handle	AC95BTEZVU6	1	Includes Cord Storage Hook
C - 34	Lead Wire Assembly	AC99WAR GZ00	1	
C - 35	Dust Cover	AC60KBFCZUU1	1	
C - 36	Hose	AC34PV0ZU01	1	
C - 37	Hose Supporter	AMC24P-2V0	1	
C - 38	Wire Tie	AMC596-702	1	Shipped 10 per package
C - 39	Protector	AC69KJMZV06	1	
C - 40	Protector Spring - Yellow	AC70KAE CZY00	1	
C - 41	Protector Supporter	AC18MJMZV06	1	
C - 42	Protector Case	AC68KJMZV06	1	
C - 43	Rubber Protector	AC51E4GZU01	1	
C - 44	Rat Washer, Round	AXWE10J223FE	1	
C - 45	Cord Retainer	AC06WAPNZ00	1	
C - 46	Packing (Insulator)	AC61LAGMZ00	1	
C - 47	Plastic Cover (Motor)	AC93FTEZ0U	1	

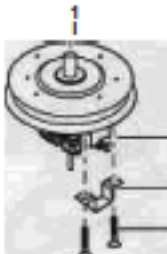
• **EXPLODED VIEW (MOTOR FAN ASSEMBLY)**



2



<&



• **PARTS LIST (MOTOR FAN ASSEMBLY)**

Ref. No.	Part Name	Part No.	Quantity	Remarks
1	Fan Case	AMC53F-AV00U	1	
2	Nut	AMC33F-AC00U	1	
3	Washer (a)	AMC62F-AV00U	1	
4	Fan	AC98FRFZ00	1	
5	Spacer	AMC60F-AV00U	1	
6	Brush Assembly	AC27FRFZ00	1 (Set)	
7	Bracket	AC02DV3Z0U	2	
8	Screws	AC40DV3Z0U	4	