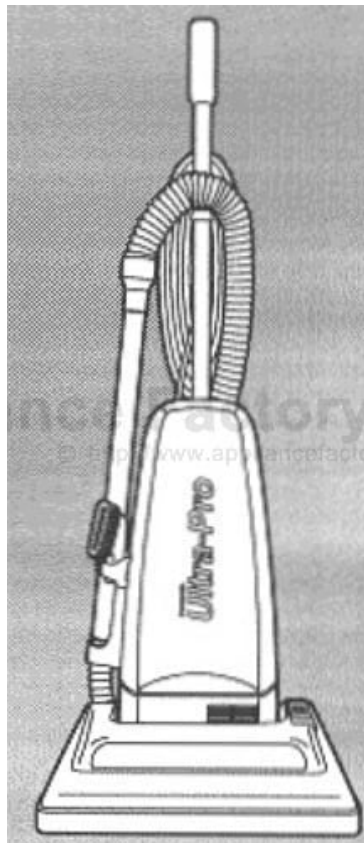


This Owner's Manual is provided and hosted by [Appliance Factory Parts](#).



# PANASONIC MC-V150 Owner's Manual

[Shop genuine replacement parts for PANASONIC  
MC-V150](#)



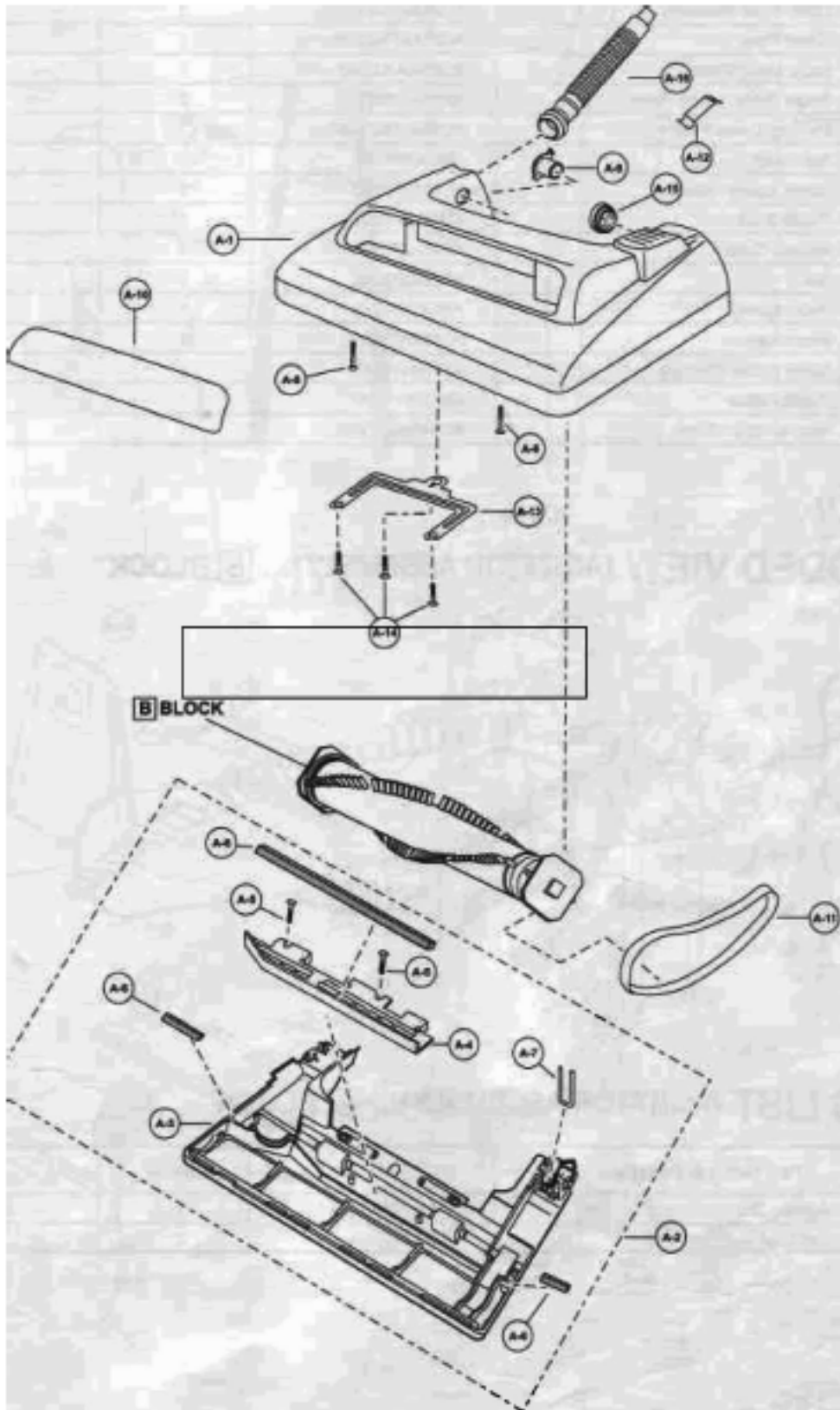
[Find Your PANASONIC Vacuum Cleaner Parts - Select From 665 Models](#)

----- Manual continues below part list -----

## Available Replacement Parts for PANASONIC MC-V150

<a href="#">PR-1471A</a>	BAG PAPER FOR PANASONIC 3 PACK
<a href="#">C-10000</a>	BELT (2 PACK)
<a href="#">AC34PAJDZV06</a>	Nozzle Hose .
<a href="#">AC60RZFZVU6</a>	CREVICE TOOL
<a href="#">AMC32K-V00</a>	SUPPORT, FILTER

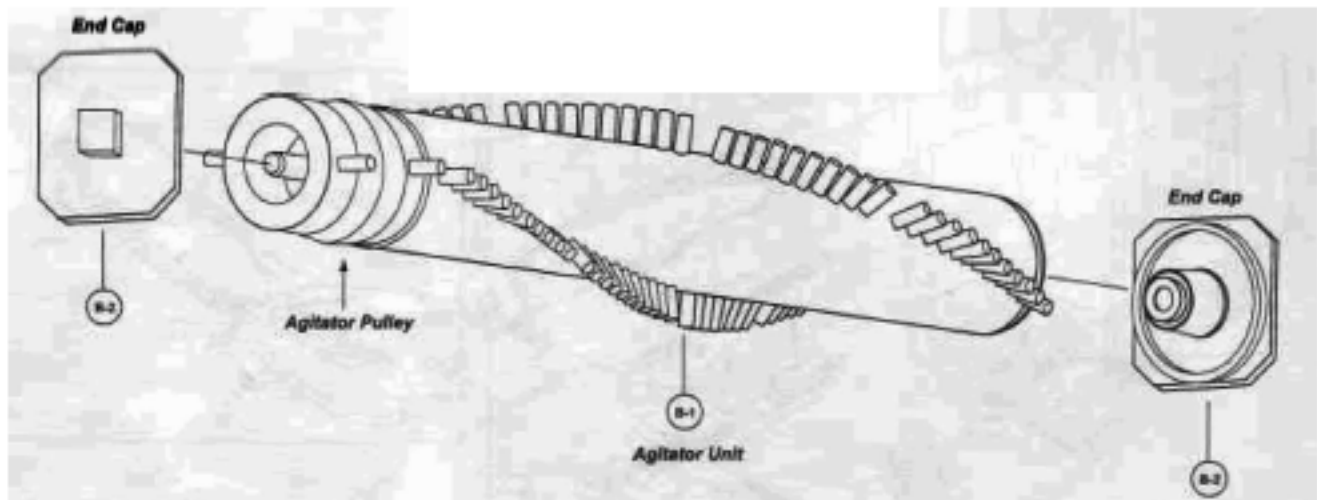
# EXPLODED VIEW (NOZZLE HOUSING)... **A** BLOCK



## PARTS LIST (NOZZLE HOUSING)... [A] BLOCK

Ref. No.	Part Name & Description	Part No.	Quantity	Remarks
A - 1	Nozzle Housing	AC01AATNZYU2		Furniture Guard Glued On
A - 2	Lower Plate Assembly	AC91AATNZV06	1	
A - 3	Lower Plate	AC27AATNZV06	1	
A - 4	Body, Lower Plate	AC06A/UU200	1	
A - 5	Screw (Body, Lower Plate)	AXTN4+16BFY		
A - 6	Packing, Lower Plate	AC19AARKZV00	1	
A - 7	Belt Cover	AMC43S-V00	1	
A - 8	Screw, Lower Plate	AC68AZAZ00		
A - 9	Plastic Shaft	AMC25S-V00	1	
A - 10	Window Cover	AC21HZFZY02	1	
A - 11	Belt	AC28SJPZ00	1	
A - 12	Pedal Spring	AMC57A-V00	1	
A - 13	Slider Support	AC53KAFVZ00		
A - 14	Screw (Slider Support)	AXTN4+16BFY		
A - 15	Plastic Holder	AWIC78N-V00	1	
A - 16	Nozzle Hose (Short)	AC34PAJDZV06	1	

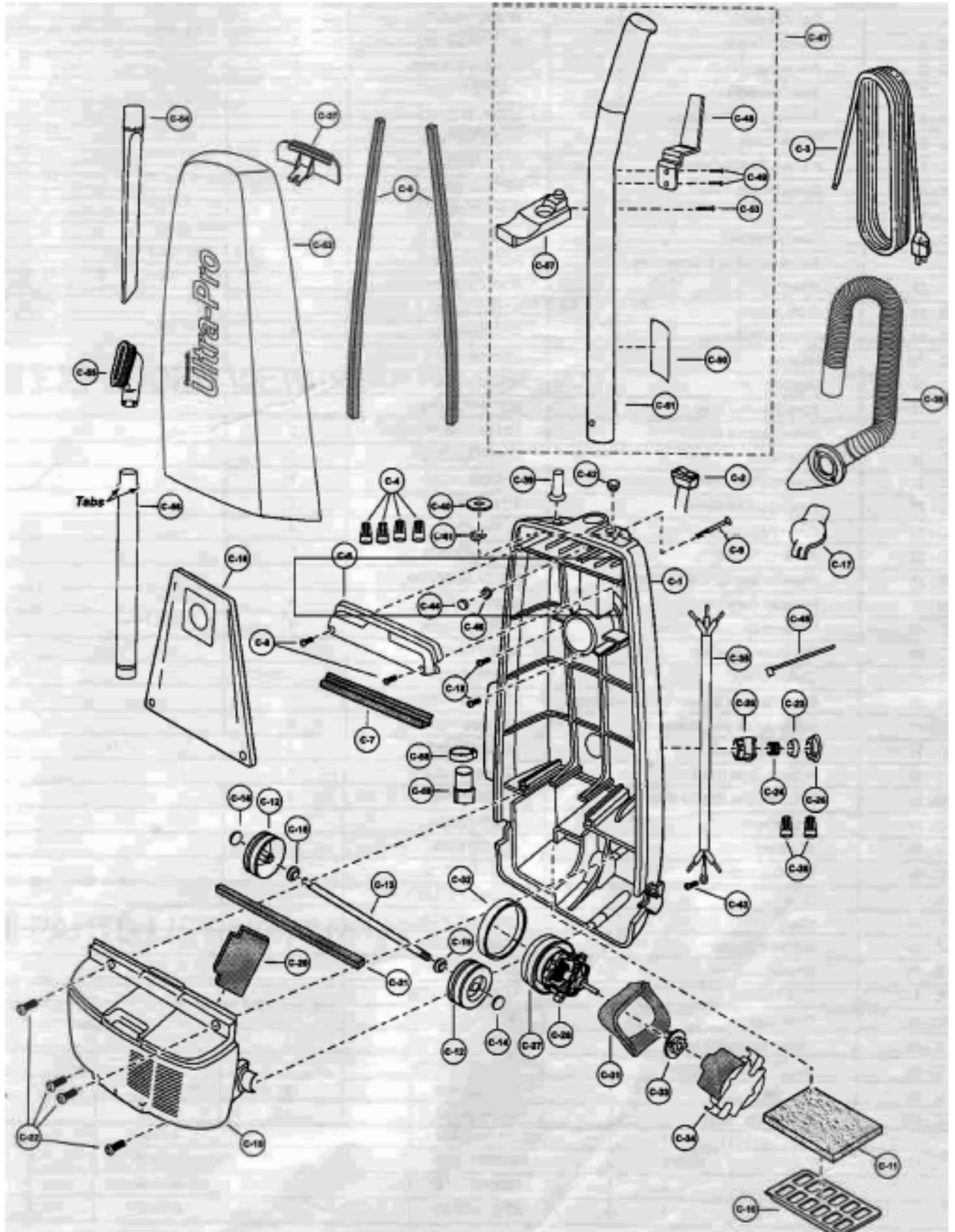
## EXPLODED VIEW (AGITATOR ASSEMBLY)... [B] BLOCK



## PARTS LIST (AGITATOR ASSEMBLY)... [B] BLOCK

Ref. No.	Part Name & Description	Part No.	Quantity	Remarks
B - 1	Agitator Unit	AC84RAPNZ00	1	
B - 2	End Cap	AC85CTCZ00	2	

# EXPLODED VIEW (BODY, MOTOR HOUSING, AND MOTOR)... BLOCK



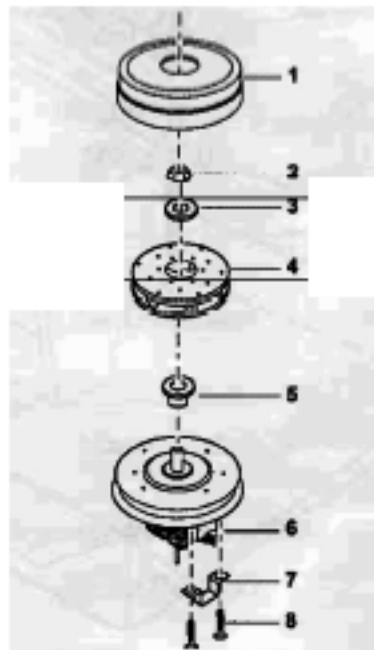
## PARTS LIST (BODY, MOTOR HOUSING, AND MOTOR)... C BLOCK

Ref. No.	Part Name & Description	Part No.	Quantity	Remarks
C - 1	Dust Container	AC88KATNZU01	1	
C - 2	ON/OFF Switch	AMC98E-V010U	1	
C - 3	Power Cord (35 ft.)	AC94EARFZU00	1	
C - 4	Wire Connector	AMC-1CTCE23		
C - 5	Packing (Dust Container)	AC86KV01KUC		
C - 6	Switch Cover	AC03EV07V06	1	
C - 7	Packing (Switch Cover)	AC73KV02KUC	1	
C - 8	Screw (Switch Cover)	AXTN4+16BFY		
C - 9	Handle Screw	AMC73B-V00	1	
C - 10	Filter Supporter	AMC32K-V00	1	
C - 11	Secondary Filter (Electrostatic)	AC37KRFZ00	1	
C - 12	Wheel	AC01CV02V06		
C - 13	Shaft, Wheel	AC16CUSZ00	1	
C - 14	Stopper, Wheel	AC74SUSZ00	2	
C - 15	Washer	AXWG6E115FY		
C - 16	Dust Bag (U6)	AC16KJYZ00	1	
C - 17	Cover (Suction Inlet)	AC02HYUZV06	1	
C - 18	Screw (Suction Inlet)	AXTN4+16BFY		
C - 19	Motor Case	AC09FAECZU01	1	
C - 20	Packing (Rear Cover)	AMC02L-V00	1	
C - 21	Packing (Motor Case)	AC19FJPZKUC	1	
C - 22	Screw (Motor Case)	AXTN4+16BFY		
C - 23	Protector (Motor)	AC69KJMZV06	1	
C - 24	Protector Spring, Yellow (Motor)	AC70KAECZY00	1	
C - 25	Protector Case (Motor)	AC68KJMZV06	1	
C - 26	Protector Supporter (Motor)	AC18MJMZV06	1	
C - 27	Fan Motor Assembly	AC92FTEZ0U	1	
C - 28	Carbon Brush	AC27FRFZ00	1 (Set)	
C - 29	Brush Retainer Bracket (Not Illustrated)	AMC02D-V300U		
C - 30	Screw, Brush (Not Illustrated)	AMC40D-V300U		
C - 31	Noise Suppressor	AMC99G-L310X	1	
C - 32	Motor Support (Front)	AMC02F-E00	1	
C - 33	Motor Support Rubber (Rear)	AMC03F-V00	1	
C - 34	Motor Cover	AC93FTEZ0U	1	
C - 35	Wire Cord	AC37GTEZ0U	1	
C - 36	Wire Connector	AMC-1CTCE23		
C - 37	Latch	AC08DJPZV06	1	
C - 38	Hose	AC84PJPZV06	1	
C - 39	Rubber Protector	AC51E4GZU01	1	
C - 40	Washer	AXWE10J223FE	1	
C - 41	Cord Retainer	AC06WAPNZ00	1	
C - 42	Cover Cap	AC38HAPNZU00	1	
C - 43	Screw, Grounding	AXYN4+E10FFY	1	
C - 44	Packing, Handle Screw	AC61LAGMZ00	1	
C - 45	Wire Tie	AMC596-702	1	
C - 46	Nut, Handle Screw	AMP21B-170	1	

## PARTS LIST (HANDLE, HOSE, AND ATTACHMENTS)... [C] BLOCK (Cont.)

Ref. No.	Part Name & Description	Part No.	Quantity	Remarks
C - 47	Handle Assembly	AC95BATNZVU6	1	
C - 48	Cord Hook	AC53ETE200	1	
C - 49	Screw (Cord Hook)	AC68AZAZ00		
C - 50	Label (Caution)	AC33ZYRZ0K	1	
C - 51	Handle	AC64BATN200	1	Includes Handle Grip
C - 52	Dust Cover	AC60KAPNZUU1	1	
C - 53	Screw (Hose Holder)	AXTN4+45BFY	1	
C - 54	Crevice Tool	AC60RZFZVU6	1	
C - 55	Dusting Brush	AC88RYUZV06	1	
C - 56	Wand (With Tabs)	AC40PJPZV06	1	
C - 57	Hose Holder	AC23PJP1V06	1	
C - 58	Hose Hook	AC30RJP1V00 f i p ^ p . s)0C	1	
C - 59	Hose Adaptor	AC58PJPZV06	1	

## EXPLODED VIEW (MOTOR FAN ASSEMBLY)



## PARTS LIST (MOTOR FAN ASSEMBLY)

Ref. No.	Part Name & Description	Part No.	Quantity	Remarks
1	Fan Case	AMC53F-AV00U	1	
2	Nut	AMC33F-AC00U	1	
3	Washer (a)	AMC62F-AV00U	1	
4	Fan	AC98FRFZ00	1	
5	Spacer	AMC60F-AV00U	1	
6	Brush Assembly	AC27FRFZ00	1 (Set)	
7	Bracket	AC02DV3Z0U	2	
8	Screws	AC40DV3Z0U	4	