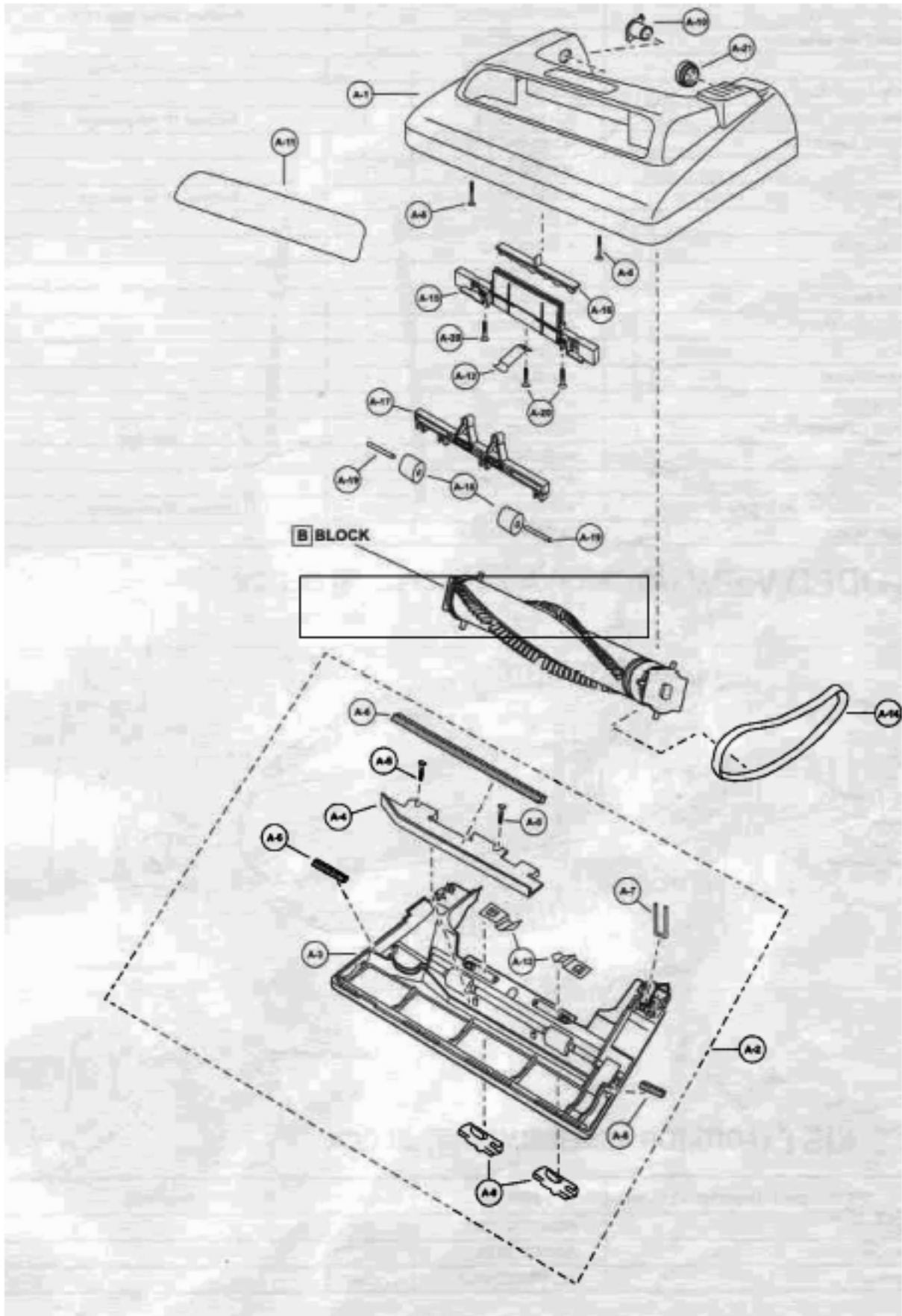


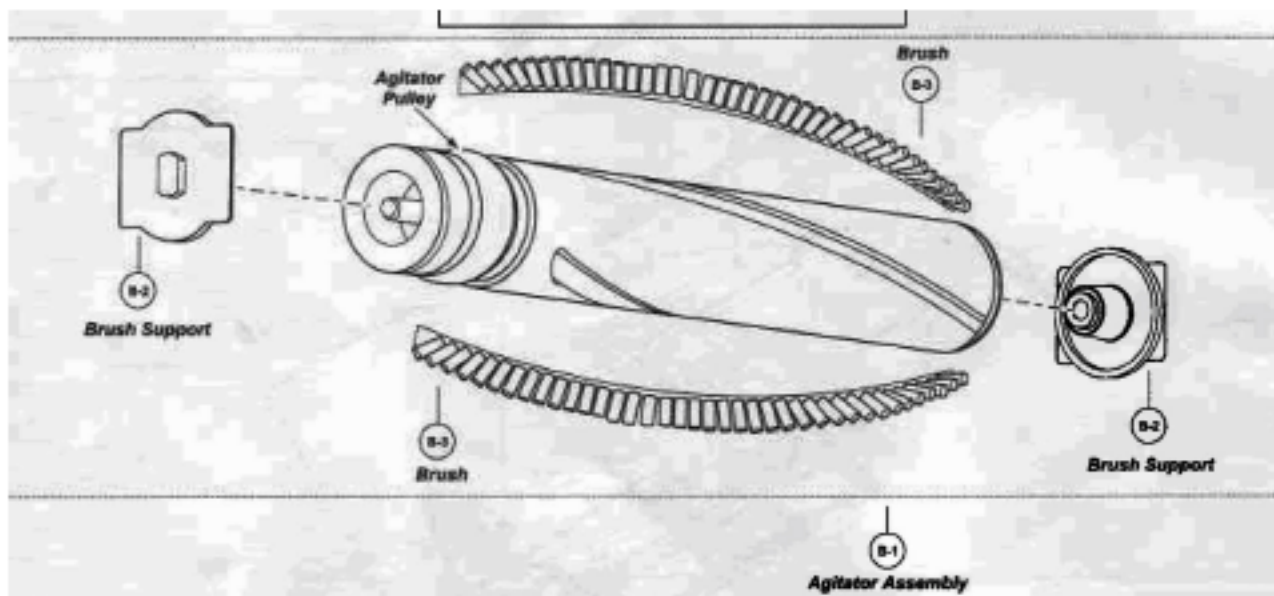
EXPLODED VIEW (NOZZLE HOUSING)... **A** BLOCK



■ PARTS LIST (NOZZLE HOUSING)... [A] BLOCK

Ref. No.	Part Name & Description	Part No.	Quantity	Remarks
A - 1	Nozzle Housing	AC01ABAWZYU2	1	Furniture Guard Glued On
A - 2	Lower Plate Assembly	AC91AAEZ2V06	1	
A - 3	Lower Plate	AC27AAEZ2V06	1	Includes A-6 Packing
A - 4	Body, Lower Plate	AC06AAJU200	1	
A - 5	Screw (Body, Lower Plate)	AXTN4+16BFY	2	Shipped 10 per package
A - 6	Packing, Lower Plate	AC19AARKZV00	1	
A - 7	Belt Cover	AMC43S-V00	1	
A - 8	Screw, Nozzle	AMC68A-V30	2	Shipped 10 per package
A - 9	Latch	AMC68N-AV0K	2	
A - 10	Plastic Shaft	AMC25S-V00	1	
A - 11	Window Cover	AC21HZFZY02	1	
A - 12	Pedal Spring	AMC57A-V00	1	
A - 13	Stop Latch Spring	AC70NYUZ00	1	
A - 14	Belt	AC28SJPZ00	1	
A - 15	Slider Support	AC53KAPNZW03	1	
A - 16	Sliding Knob	AC57HJPZV06	1	
A - 17	Height Adjustment Cam	AC61KJPZV06	1	
A - 18	Wheel	AC90QNGZV06	2	
A - 19	Shaft (Wheel)	AC16CNXZ00	2	
A - 20	Screw (Slider Support, Pedal Spring)	AXTN4+16BFY	3	Shipped 10 per package
A - 21	Plastic Holder	AMC78N-V00	1	

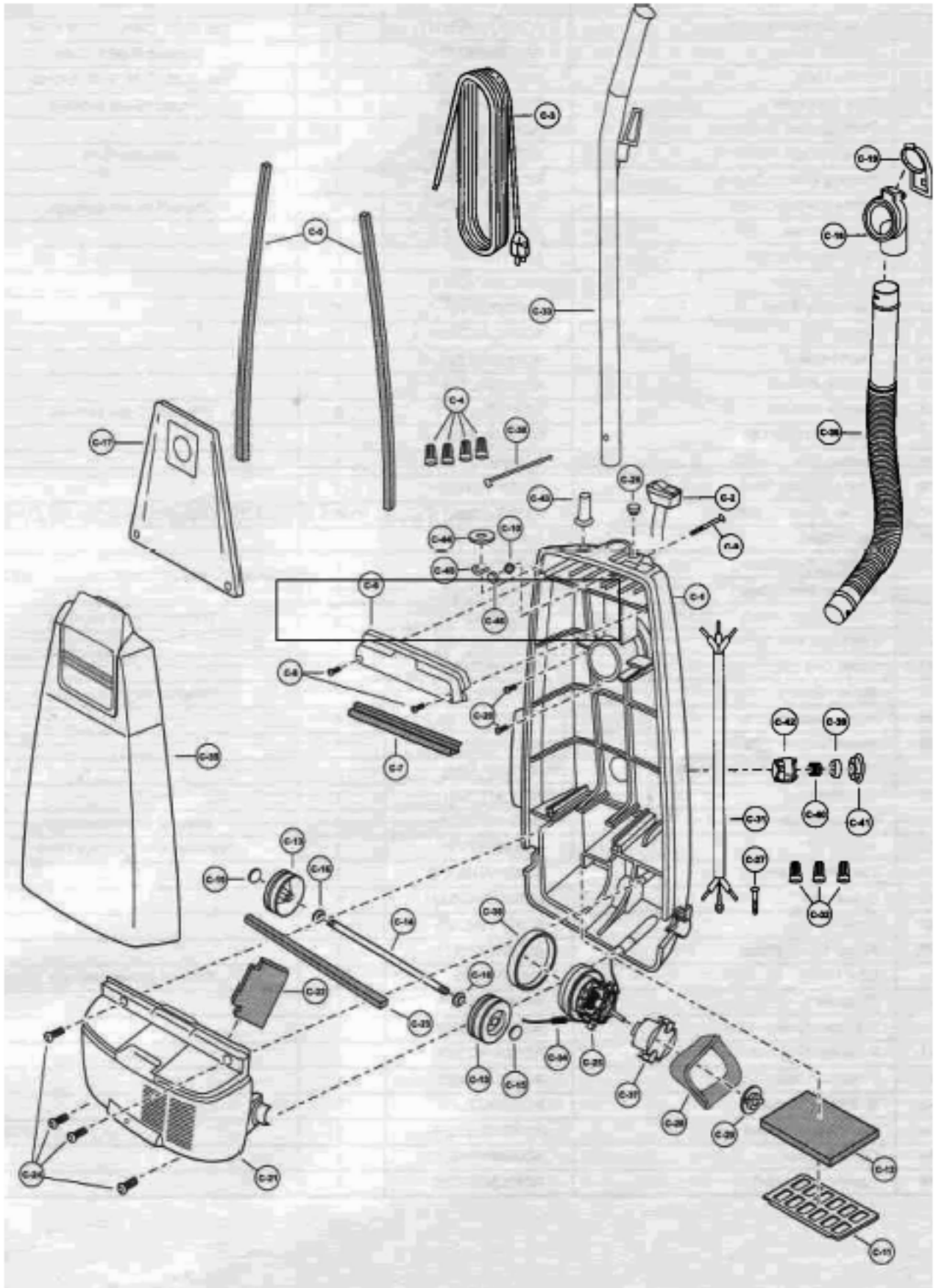
EXPLODED VIEW (AGITATOR ASSEMBLY)... [B] BLOCK



PARTS LIST (AGITATOR ASSEMBLY)... [B] BLOCK

Ref. No.	Part Name & Description	Part No.	Quantity	Remarks
B - 1	Agitator Unit	AC84RBAWZ00	1	
B - 2	End Cap	AC85CTCZ00	2	
B - 3	Brush Unit	AC78RAGZZU00	1 (Set)	

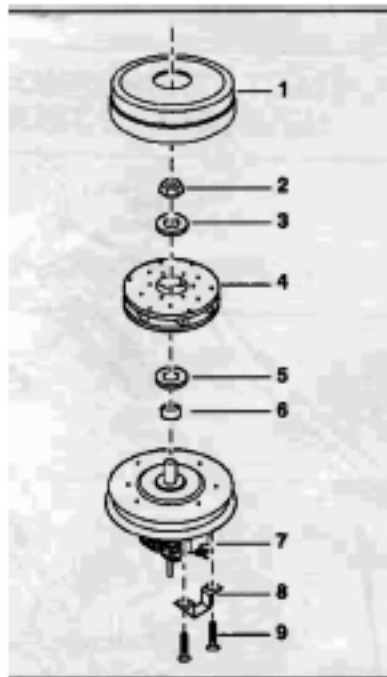
EXPLODED VIEW (BODY, MOTOR HOUSING, AND MOTOR)... [C] BLOCK



PARTS LIST (MOTOR HOUSING, MOTOR, HANDLE, AND BODY)... C BLOCK

Ref. No.	Part Name & Description	Part No.	Quantity	Remarks
C - 1	Dust Compartment Unit	AC88KAPNZU11	1	Incl. C-38, C-44, C-45 & C-46
C - 2	ON/OFF Switch	AC98EARFZ0U	1	Includes C-38 & C-46
C - 3	Power Cord	AC94EAPN2Y02	1	Incl. C-36, C-44, C-45 & C-46
C - 4	Wire Connector	AMC-1CTCE23		Shipped 10 per package
C - 5	Packing (Dust Container)	AC66KV01V06		
C - 6	Switch Cover	AC03EARFZV06	1	Includes C-46
C - 7	Packing (Switch Cover)	AC73KV02V06	1	
C - 8	Screw (Switch Cover)	AXTN4+16BFY		Shipped 10 per package
C - 9	Handle Screw	AMC73B-V00	1	
C - 10	Nut (Handle Screw)	AMP21B-170	1	
C - 11	Filter Supporter	AMC32K-V00	1	
C - 12	Secondary Filter	AMC37K-V00	1	
C - 13	Wheel	AC01CV02V06		
C - 14	Shaft (Wheel)	AC16CUSZ00	1	
C - 15	Stopper (Wheel)	AC74SUSZ00		
C - 16	Washer (Wheel)	AXWG6E115FY		Shipped 10 per package
C - 17	Dust Bag (Type U6)	AC16KJYZ00	1	
C - 18	Suction Inlet	AC60HF74VU6	1	
C - 19	Cover (Suction Inlet)	AC02HF73V07	1	
C - 20	Screw (Suction Inlet)	AXTN4+16BFY		Shipped 10 per package
C - 21	Motor Case	AC09FJPZU01	1	
C - 22	Packing (Rear Cover)	AMC02L-V00	1	
C - 23	Packing (Motor Case)	AC19FJPZV06	1	
C - 24	Screw (Motor Case)	AXTN4+20BFY		Shipped 10 per package
C - 25	Fan Motor Unit	AC92FAPNZ00	1	
C - 26	Cover Cap	AC38HAPNZ0U	1	
C - 27	Screw, Ground	AXYN4+E10FFY	1	Shipped 10 per package
C - 28	Noise Suppressor	AC99GAMMZ00	1	
C - 29	Motor Support (Rear)	AMC03F-V00	1	
C - 30	Motor Support Rubber (Front)	AMC02F-E00	1	
C - 31	Wire Cord	AC37GTEZ0U	1	
C - 32	Wire Connector	AMC-1CTCE23		Shipped 10 per package
C - 33	Handle	AC95BTEZVU6	1	Includes Cord Storage Hook
C - 34	Lead Wire Assembly	AC99WARGZ00	1	
C - 35	Dust Cover	AC60KBFCZUU1	1	
C - 36	Hose	AC34PV0ZU01	1	
C - 37	Plastic Cover (Motor)	AC93FTEZ0U	1	
C - 38	Wire Tie	AMC596-702	1	Shipped 10 per package
C - 39	Protector	AC69KJMZV06	1	
C - 40	Protector Spring - Blue	AC70KAHHZB0	1	
C - 41	Protector Supporter	AC18MJMZV06	1	
C - 42	Protector Case	AC68KJMZV06	1	
C - 43	Rubber Protector	AC51E4GZU01	1	
C - 44	Flat Washer, Round	AXWE10J223FE	1	
C - 45	Cord Retainer	AC06WAPNZ00	1	
C - 46	Packing (Insulator)	AC61LAGMZ00	1	

EXPLODED VIEW (MOTOR FAN ASSEMBLY)



■ PARTS LIST (MOTOR FAN ASSEMBLY)

Ref. No.	Part Name & Description	Part No.	Quantity	Remarks
1	Fan Case	AMC53F-AV00U	1	
2	Nut	AMC33F-AC00U	1	
3	Washer (a)	AMC62F-AV00U	1	
4	Fan	AC98FRFZ00	1	
5	Washer (b)	AC62FRFZ00	1	
6	Spacer	AC60FRFZ00	1	
7	Brush Assembly	AC27FRFZ00	1 (Set)	
8	Bracket	AMC02D-V300U	2	
9	Screws	AMC40D-V300U	4	