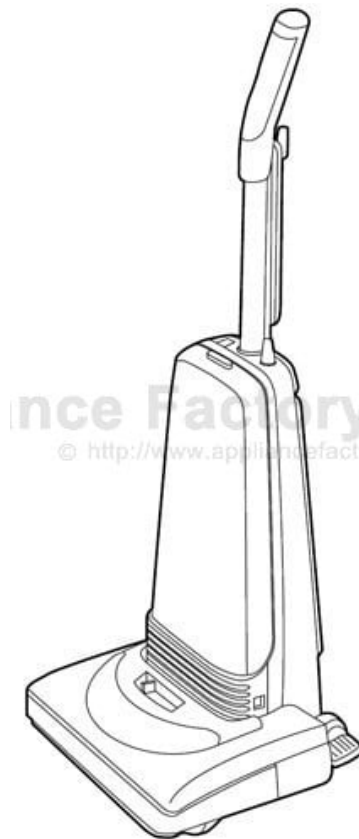


This Owner's Manual is provided and hosted by [Appliance Factory Parts](#).



PANASONIC MC-V325 Owner's Manual

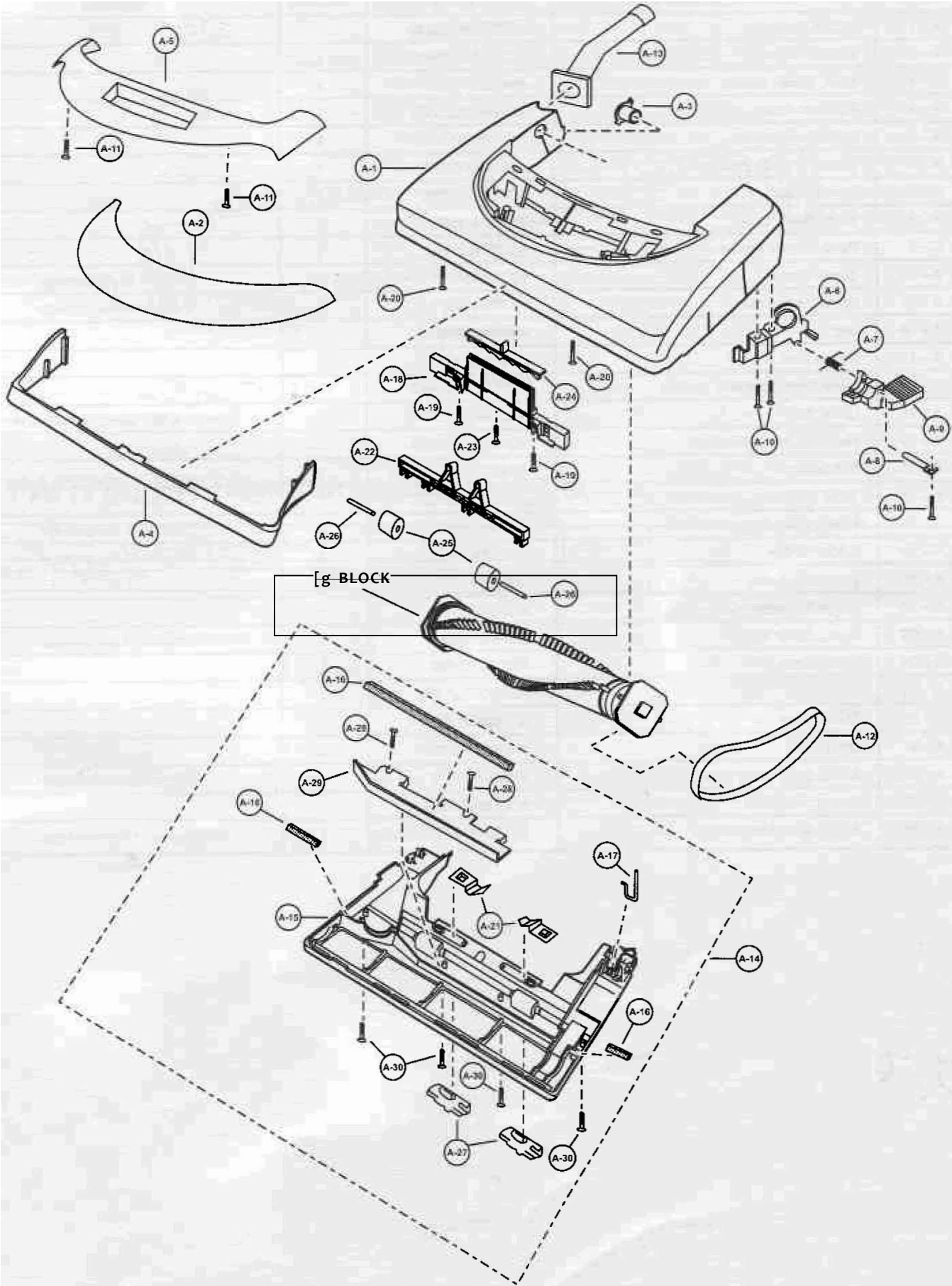
[Shop genuine replacement parts for PANASONIC
MC-V325](#)



[Find Your PANASONIC Vacuum Cleaner Parts - Select From 605 Models](#)

----- Manual continues below -----

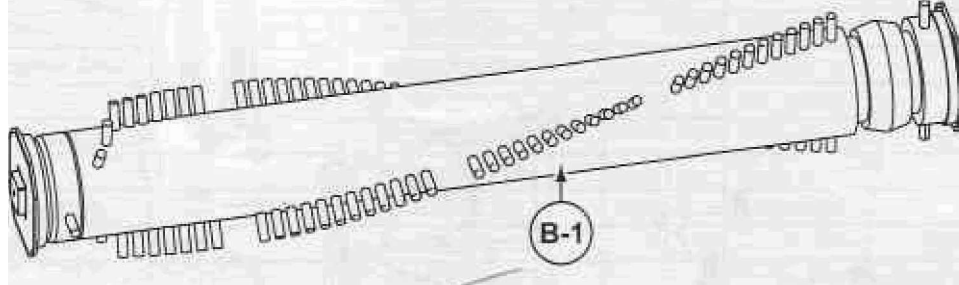
EXPLODED VIEW (NOZZLE HOUSING)... [A] BLOCK



PARTS LIST (NOZZLE HOUSING)... **A** BLOCK

| Ref. No. | Part Name & Description | Part No. | Quantity | Remarks |
|----------|--------------------------|--------------|----------|-------------------------------------|
| A - 1 | Nozzle Housing | AC01ACBYZYU2 | 1 | J> Q |
| A - 2 | Window | AC21HAGZZYQ2 | 1 | |
| A - 3 | Shaft, Plastic | AMC25S-V00 | 1 | |
| A - 4 | Furniture Guard | AC10AAGZZV07 | 1 | |
| A - 5 | Light Cover | AC24HAPPZYU2 | 1 | |
| A - 6 | Bracket, Handle Release | AC43AAFY200 | 1 | |
| A - 7 | Spring, Pedal | AC58AAFVZ00 | 1 | |
| A - 8 | Shaft, Pedal | AMC51A-V30 | 1 | |
| A - 9 | Pedal, Handle Release | AMC47A-2V0U | 1 | |
| A - 10 | Screw, Frame | AXTN4+14BFY | | Shipped 10 per package |
| A - 11 | Screw, Light Cover | AXTN4+16BFY | | Shipped 10 per package |
| A - 12 | Belt | AC28SJPZ00 | 1 | |
| A - 13 | Nozzle Pipe | AC70SZA100 | 1 | |
| A - 14 | Lower Plate Assembly | AC91ABAYZV06 | 1 | |
| A - 15 | Lower Plate | AC27AAFVZV06 | 1 | Includes A-16 Packing & A-30 Screws |
| A - 16 | Packing, Lower Plate | AC19AARKZV00 | 1 | |
| A - 17 | Belt Guard | AC43SAFVZ00 | 1 | |
| A - 18 | Slider Support | AC53KAPNZW03 | 1 | |
| A - 19 | Screw, Slider Support | AXTN4+16BFY | 2 | Shipped 10 per package |
| A - 20 | Screw, Nozzle | AMC68A-V30 | 2 | Shipped 10 per package |
| A - 21 | Stop Latch Spring | AC70NYUZ00 | 2 | |
| A - 22 | Height Adjustment Cam | AC61KJPZV06 | 1 | |
| A - 23 | Screw, Slider Support | AC68AZAZ00 | 1 | Shipped 10 per package |
| A - 24 | Sliding Knob | AC57HJPZV06 | 1 | |
| A - 25 | Wheel | AC90QNGZV06 | 2 | |
| A - 26 | Shaft, Wheel | AC16CNXZ00 | 2 | |
| A - 27 | Latch | AMC68N-AV0K | 2 | |
| A - 28 | Screw, Body Lower Plate | AXTN4+16BFY | 2 | Shipped 10 per package |
| A - 29 | Body, Lower Plate | AC06AAJUJZ00 | 1 | |
| A - 30 | Screw, Metal Lower Plate | AXTS3+10BFY | 4 | Shipped 10 per package |

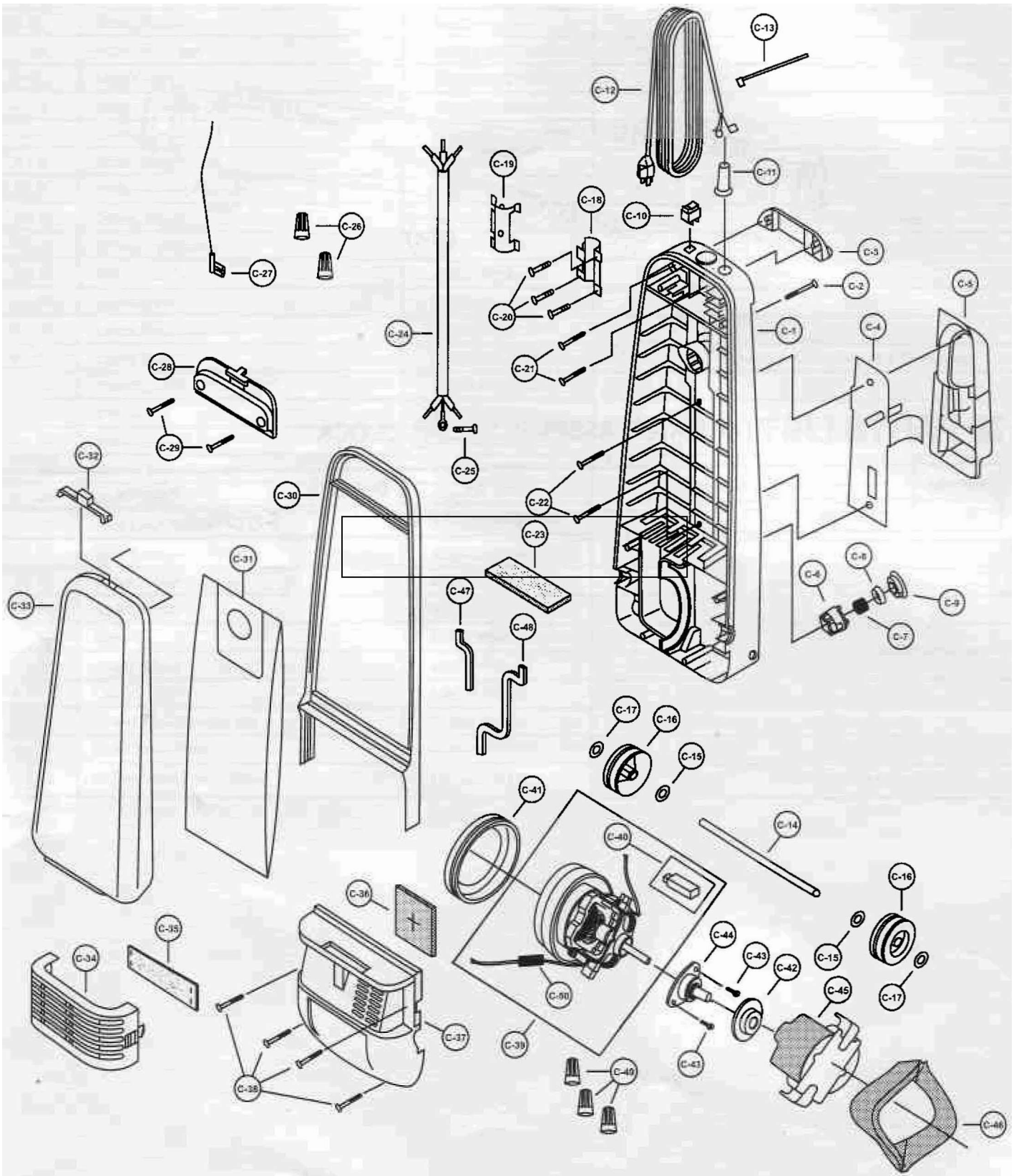
EXPLODED VIEW (AGITATOR ASSEMBLY)... [B] BLOCK



PARTS LIST (AGITATOR ASSEMBLY)... [B] BLOCK

| Ref. No. | Part Name & Description | Part No. | Quantity | Remarks |
|----------|-------------------------|---------------|----------|---------|
| B - 1 | Agitator Unit | AUo4nDnM/iWUW | 1 | |
| | | | | |

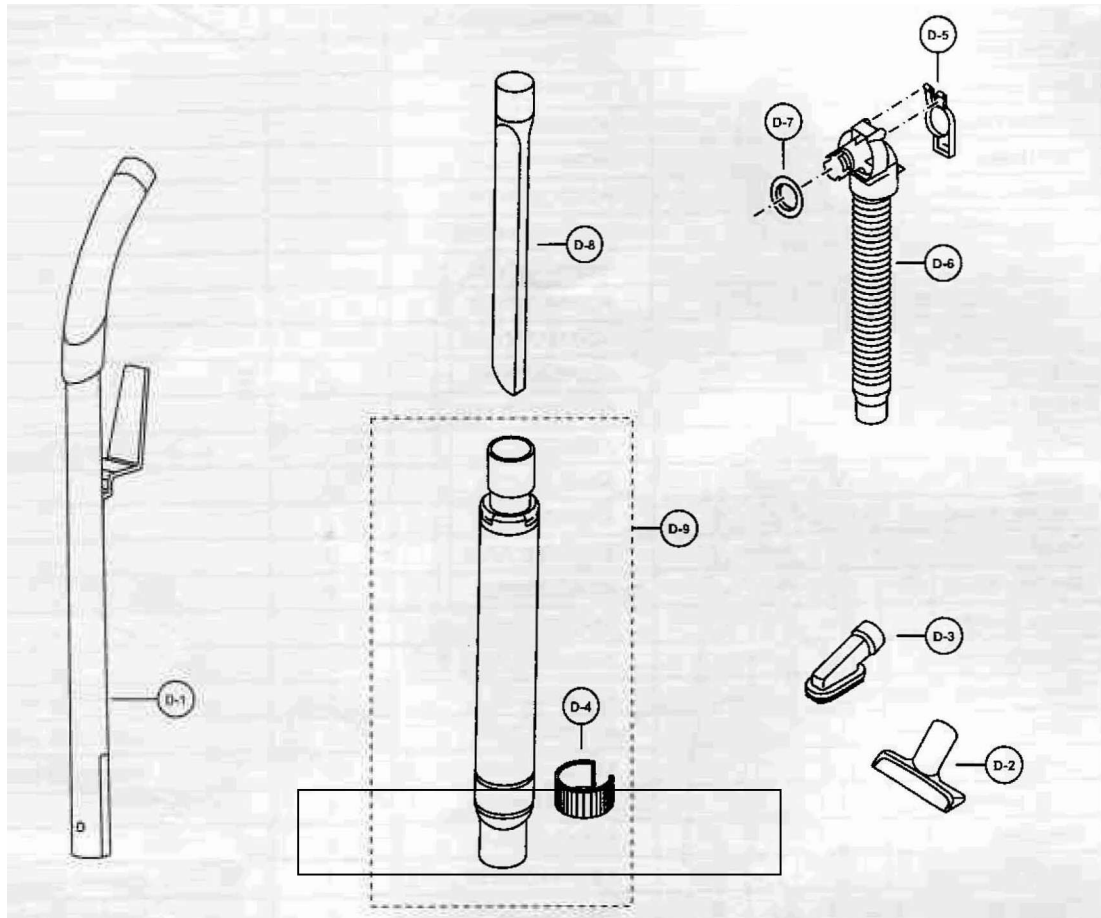
EXPLODED VIEW (BODY, MOTOR HOUSING, AND MOTOR)... C BLOCK



PARTS LIST (BODY, MOTOR HOUSING, AND MOTOR)... C BLOCK

| Ref. No. | Part Name & Description | Part No. | Quantity | ; R e m a r k s |
|----------|-------------------------------|---------------|----------|----------------------------------|
| C - 1 | Dust Compartment | AC40KAGZZU01 | 1 | '^Includes C-47 and C-48 Packing |
| C - 2 | Screw, Handle | AMC73B-V30 | 1 | Shipped 10 per package |
| C - 3 | Carry Handle | AC64BYUZU01 | 1 | |
| C - 4 | Support Plate | AC43RYUZV07 | 1 | |
| C - 5 | Tool Holder | AC38PYUZU01 | 1 | |
| C - 6 | Protector Case | AC68KJMZV06 | 1 | |
| C - 7 | Spring, Protector, (Blue) | AC70KAHHZB00 | 1 | |
| C - 8 | Protector | AC69KJMZV06 | 1 | |
| C - 9 | Protector Supporter | AC18MJMZV06 | 1 | |
| C - 10 | Switch, On-Off | AC01EYVZV06 | 1 | |
| C - 11 | Rubber Protector | AC51E4GZU01 | 1 | |
| C - 12 | Power Cord, (50 Ft.) | AC94EAPPZY02 | 1 | |
| C - 13 | Wire Tie | AMC596-702 | 1 | Shipped 10 per package |
| C - 14 | Shaft, Wheel | AC16CUSZ00 | 1 | |
| C - 15 | Washer, Wheel | AXWG6E115FY | 2 | |
| C - 16 | Wheel | AC01CV0ZVUB | 2 | |
| C - 17 | Stopper, Wheel | AC74SUSZ00 | 2 | |
| C - 18 | Fitting, Handle | AMC69B-V30 | 1 | |
| C - 19 | Supporter, Handle | AMC53B-1LZ00 | 1 | |
| C - 20 | Screw, Handle Supporter | AXTN4+20BFY | 3 | Shipped 10 per package |
| C - 21 | Screw, Carry Handle | AXTN4+16BFY | 2 | Shipped 10 per package |
| C - 22 | Screw, Tool Holder | AXTN4+16BFY | 2 | Shipped 10 per package |
| C - 23 | Filter, Secondary | AC37KYUZV00 | 1 | <i>i ?</i> |
| C - 24 | Wire Cord | AC37GTCZ00 | 1 | |
| C - 25 | Screw, Grounding | AXYM i E10FFY | 4 | Shipped 10 per package |
| C - 26 | Wire Connector, Switch Area | AMC-1CTCE23 | 2 | Shipped 10 per package |
| C - 27 | Lead Wire, (Black) | AC44GTDZU00 | 1 | |
| C - 28 | Switch Cover | AC03EYU1V06 | 1 | |
| C - 29 | Screw, Switch Cover | AXTN4+16BFY | 2 | Shipped 10 per package |
| C - 30 | Bumper | AC31AYUZV07 | 1 | |
| C - 31 | Dust Bag | AC16KJYZ00 | 1 | / v 7 / n |
| C - 32 | Release Button, Dust Cover | AC13DYUZV07 | 1 | |
| C - 33 | Dust Cover | AC60KBAYZUU1 | 1 | |
| C - 34 | Filter Cover | AC41KYUZV07 | 1 | |
| C - 35 | Filter, Electrostatic Exhaust | AC30KCBYZ00 | 1 | |
| C - 36 | Fitter, Motor Case | AC38KYUZV00 | 1 | |
| C - 37 | Motor Case | AC09FAGZZV07 | 1 | |
| C - 38 | Screw, Motor Case | AXTN4+20BFY | 4 | Shipped 10 per package |
| C - 39 | Motor Assembly | AC92FAPNZ00 | 1 | <i>faOf^</i> |
| C - 40 | Carbon Brush, Motor | AC27FRFZ00 | 1 (Set) | |
| C - 41 | Motor Support, (Front) | AMC02F-E00 | 1 | |
| C - 42 | Motor Support, (Rear) | AC03FAFYZ00 | 1 | |
| C - 43 | Screw, Motor Flange | AXYN4+E10FFY | 2 | Shipped 10 per package |
| C - 44 | Motor Flange | AC25SAFYZ00 | 1 | |
| C - 45 | Motor Cover | AC93FTEZ0U | 1 | |
| C - 46 | Noise Suppressor | AC99GAMMZ00 | 1 | |
| C - 47 | Body Packing, (Left) | AC40AYUZV00 | 1 | |
| C - 48 | Body Packing, (Right) | AC39AYUZV00 | 1 | |
| C - 49 | Wire Connector, Motor Area | AMC-1CTCE23 | 3 | Shipped 10 per package |
| C - 50 | Lead Wire Assembly | AC99WARGZ00 | 1 | |

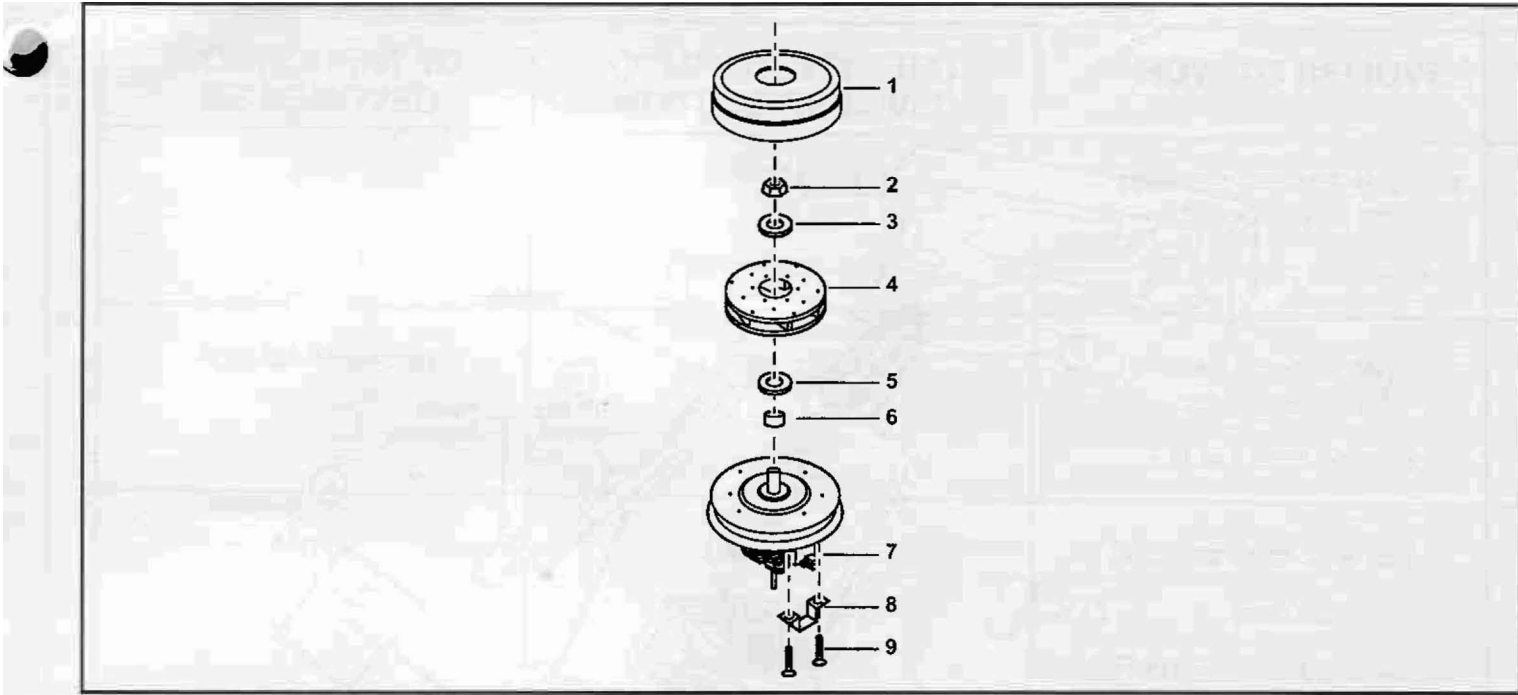
EXPLODED VIEW (HANDLE, HOSE, AND ATTACHMENTS)... **D** BLOCK



PARTS LIST (HANDLE, HOSE, AND ATTACHMENTS)... **D** BLOCK

| Ref. No. | Part Name & Description | Part No. | Quantity | Remarks |
|----------|-------------------------|--------------|----------|---------|
| D - 1 | Handle Assembly | AC95BTCZV07 | 1 | |
| D - 2 | Upholstery Nozzle | AC62RYUZV06 | 1 | |
| D - 3 | Dusting Brush | AC88RYUZV06 | 1 | |
| D - 4 | Suction Control | AC54PYUZV06 | 1 | |
| D - 5 | Suction Inlet Cover | AC02HYUZV06 | 1 | |
| D - 6 | Hose Unit, Stretch | AC84PAGZZV06 | 1 | - 7 |
| D - 7 | Packing, Suction Inlet | AC64HYUZ00 | 1 | |
| D - 8 | Crevice Tool | AC60RZFZVU6 | 1 | |
| D - 9 | Wand, Telescoping | AC97QHGGZV06 | 1 | |

EXPLODED VIEW (MOTOR FAN ASSEMBLY)



PARTS LIST (MOTOR FAN ASSEMBLY)

| Ref. No. | | | | Remarks |
|----------|----------------|--|-----------------|---------|
| 1 | Fan Case | | AMC53F-AV00U | 1 |
| 2 | Nut | | AMrvttF-Anoni i | 1 |
| 3 | Washer (a) | | AMC62F-AV00U | 1 |
| 4 | Fan | | AC98FRFZ00 | 1 |
| 5 | Washer (b) | | AC62FRFZ00 | 1 |
| 6 | Spacer | | AC60FRFZ00 | 1 |
| 7 | Brush Assembly | | AC27FRFZ00 | 1 (Set) |
| 8 | Bracket | | AMC02D-V300U | 2 |
| 9 | Screws | | AMC40D-V300U | 4 |