

This Owner's Manual is provided and hosted by [Appliance Factory Parts](#).



# PANASONIC MC-V400 Owner's Manual

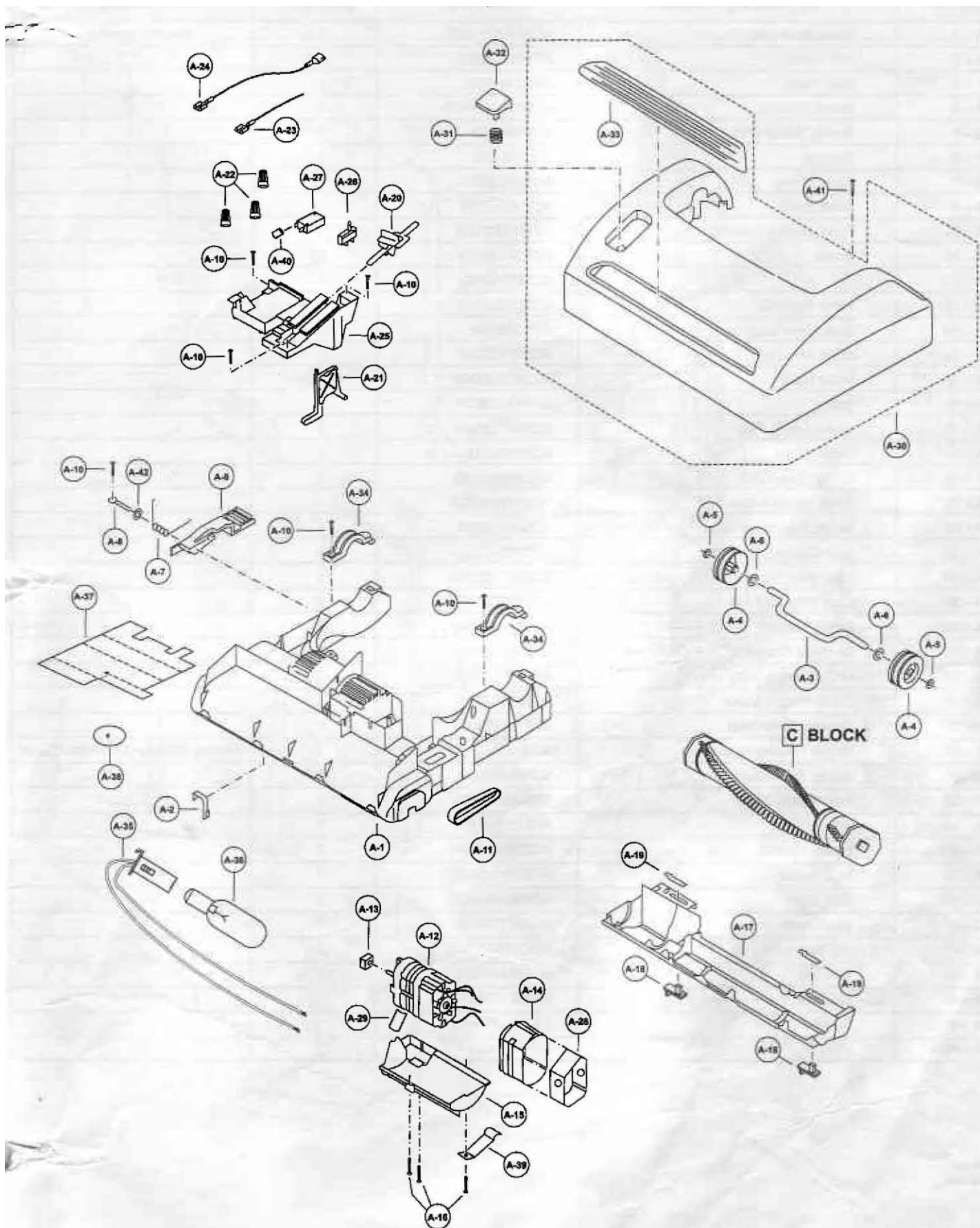
[Shop genuine replacement parts for PANASONIC  
MC-V400](#)



[Find Your PANASONIC Vacuum Cleaner Parts - Select From 605 Models](#)

----- Manual continues below -----

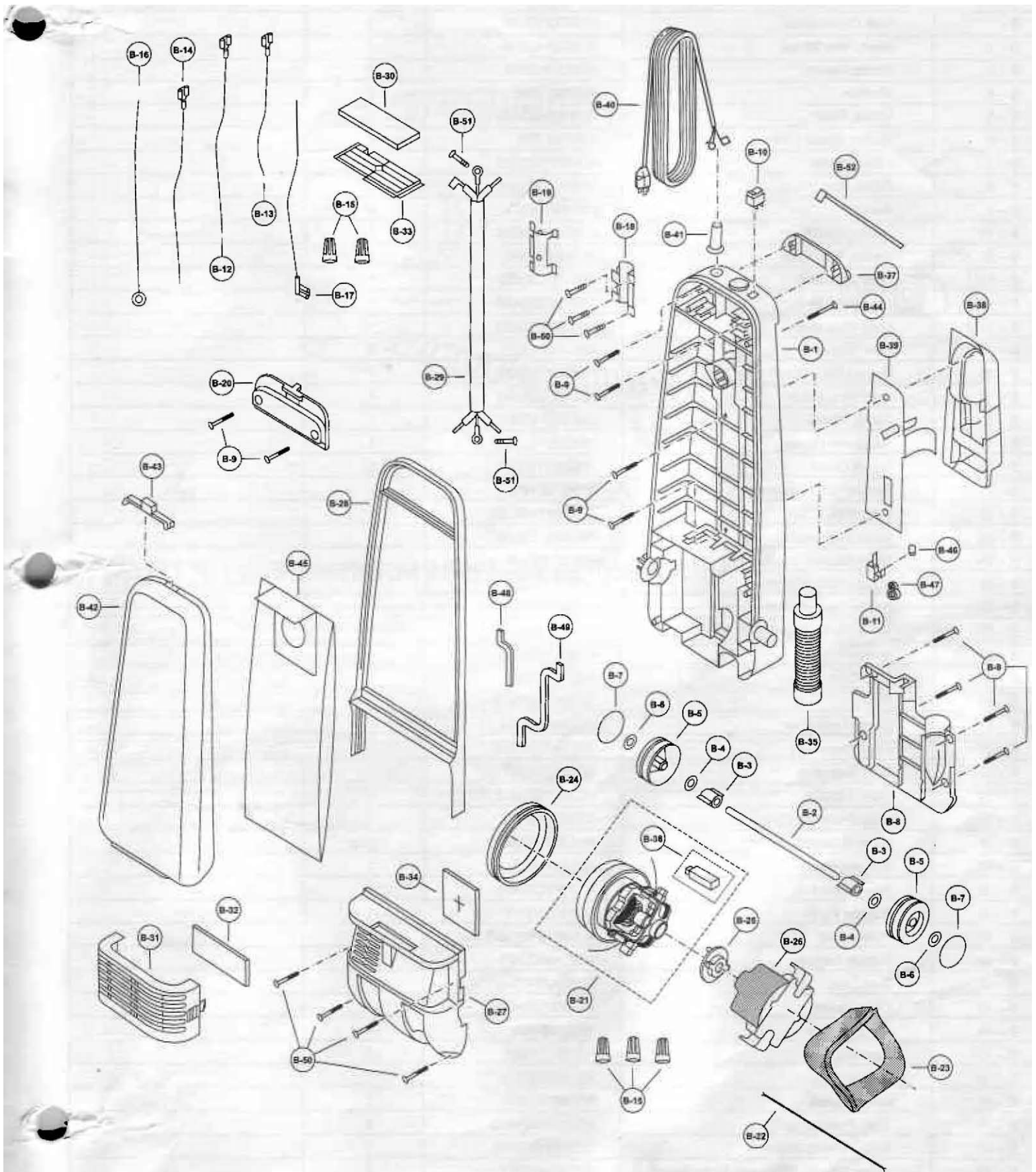
# EXPLODED VIEW (POWER NOZZLE AND AGITATOR ASSEMBLY)... **A** BLOCK



# PARTS LIST (POWER NOZZLE AND AGITATOR ASSEMBLY)... A BLOCK

Ref. No.	Part Name & Description	Part No.	Quantity	Remarks
A - 1	Lower Body Unit	AC03AYU1U00	1	Includes reflector -
A - 2	Belt Guard	AC74SYTZ00	1	
A - 3	Axle, Front	AMC744-505	1	
A - 4	Wheel	AC90QYU2V0G	2	
A - 5	Spring, Round 5/16"	AMC681-689	2	
A - 6	Washer	AMC681-384	2	
A - 7	Pedal Spring	AC57AYUZ00	1	
A - 8	Shaft, Pedal	AC51AYUZ00	1	
A - 9	Pedal, Handle Release	AC47ATCZV06	1	
A - 10	Screw	AXTN4+16BFY	6	
A - 11	Belt	AC28STCZ00	1	
A - 12	Motor Assembly	AC90FTCZ00	1	
A - 13	Seal, Motor Shaft	AMC743-498	1	
A - 14	Motor Support	AC07FYUZ00	1	
A - 15	Motor Holder	AC29FYUZU00	1	
A - 16	Screw	AXTN4+20BFY		
A - 17	Cover, Lower Plate	AC27AYUZV06		
A - 18	Latch, Cover	AC68NYUZU		
A - 19	Spring, Stop Latch	AC70NYUZ00		
A - 20	Knob, Height Adjust	AC57HYUZV06	1	
A - 21	Height Adjustment Cam	AC61KYUZ00	1	
A - 22	Wire Connector	AMC-1CTCE23		
A - 23	Lead Wire, Black	AC35GYUZU00	1	
A - 24	Lead Wire, Red	AC46GTCZR00	1	
A - 25	Slider Support	AC53KYU1V06	1	
A - 26	Overload Protector	AC76FYUZ00	1	
A - 27	On/Off Switch (Bare Floor)	AC01EYUZ00	1	
A - 28	Brush Shroud, Motor	AC58FTCZ00	1	
A - 29	Packing, Motor Seal	AC61LYUZ00	1	
A - 30	Nozzle Housing Assembly	AC01AYUZY02	1	Includes Reflector & Furniture Guard
A - 31	Spring, Reset Button	AC87NYUZ00	1	
A - 32	Push Button, Reset	AC64NYUZV06	1	
A - 33	Window Cover	AC21HYUZ00	1	
A - 34	Plastic Holder	AC2SSYUZ00		
A - 35	Bulb Socket	AC87HYUZ00	1	
A - 36	Bulb, Light	AC28GADFZ00	1	
A - 37	Wire Cover	AC63EYUZ00	1	
A - 38	1/8" Spring Rnd.	AMC415-5375	1	
A - 39	Axle Clip	AC57AAPRZ0U1	1	
A - 40	Insulation Tube	AC29EAPRZ00	1	
A - 41	Screw	AXTN4+20BFY	1	
A - 42	Washer	AMC681-424	1	

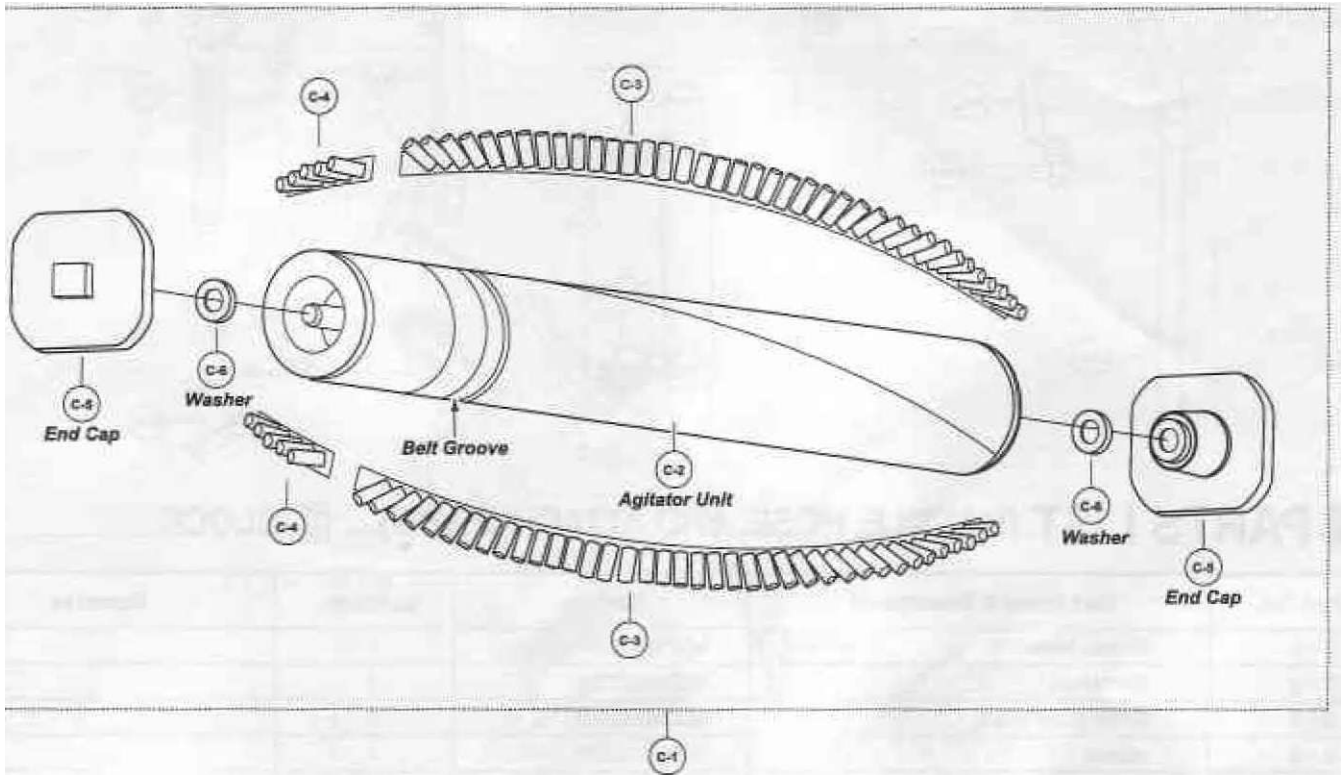
• EXPLODED VIEW (BODY, MOTOR HOUSING, AND MOTOR)... UBLOCK



# ■ PARTS LIST (BODY, MOTOR HOUSING, AND MOTOR)... [B] BLOCK

Ref. No.	Part Name & Description	Part No.	Quantity	Remarks
B - 1	Dust Compartment	AC40KYVZU01	1	
B - 2	Shaft, Rear Wheel	AC04CYUZ00	1	
B - 3	Plastic Bearing	AC31SYUZ00	2	
	Washer	AMC681-384	2	
B - 5	Wheel, Rear	AC01CYUZV06	2	
B ~ 6	Spring, Round 5/16"	AMC681 -689	2	
B - 7	Label, Wheel	AC05CYUZV06	1 (set)	
B - a	Cover, Rear Wheel	AC07CYVZU01	1	
B - 9	Screw	AXTN4+16BFY	10	
B - 10	Switch, On-Off	AC01EYVZV06	1	
B - 11	Switch, Bare Floor	AC98EYUZ00	1	
B - 12	Lead Wire, Blue	AC41GTC2B00	1	
B - 13	Lead Wire, Blue	AC41GTDZB00	1	
B - 14	Lead Wire, Black	AC38GTCZU00	1	
B - 15	Wire Connector	AMC-1CTCE23		
B - 16	Ground Wire, Green	AC39GTCZG00	1	
B - 17	Lead Wire, Black	AC44GTDZU00	1	
B - 18	Fitting, Handle	AMC69B-V30	1	
B - 19	Supporter, Handle	AMC53B-1LZ00	1	
B - 20	Switch Cover	AC03EYU1V06	1	
B - 21	Suction Motor Assembly	AC92FTC100	1	
B - 22	Lead Wire, White	AC42GYUZW00	1	
B - 23	Noise Suppressor	AMC9SG-L310X	1	
B - 24	Motor Support (Front)	AMC02F-D40	1	
B - 25	Motor Support (Rear)	AC03FYUZ00	1	
B - 26	Rastic Cover, Motor	ACS3FTE20U	1	
B - 27	Motor Cover (Front)	AC09FYUZV06	1	
B - 28	Bumper	AC31AYUZV06	1	
B - 29	Wire Cord	AC37GTCZ00	1	
B - 30	Filter	AC30KAGZZ00	1	
B - 31	Cover, Front Filter	AC41KYUZV06	1	
B - 32	Filter, Secondary	AC30KAMAZ00	1	
B - 33	Fitter Supporter	AC32KYUZ00	1	
B - 34	Filter, Exhaust	AC38KYUZV00	1	
B - 35	Hose Assembly (Short)	AC94PYUZV06	1	
B - 36	Brush Assembly, Motor	AMC27F AV00U	1 (set)	
B - 37	Carrying Handle	AC64BYUZU01	1	
B - 38	Attachment Tray	AC38PYUZU01	1	
B - 39	Support Plate	AC43RYUZV07	1	
B - 40	Power Cord	AC94EA PPZU00	1	
B - 41	Rubber Protector	AC51E4GZU01	1	
B - 42	Dust Cover	AC60KAPPZUU1	1	
B - 43	Cover Button	AC13DYUZV07	1	
B - 44	Handle Screw	AMC73B-V30	1	
B - 45	Dust Bag U6	AC16KJYZ00	1	
B - 46	Insulation Tube	AC29EAPRZ00	1	
B - 47	Lever, Switch	AC15EYT100	1	
B - 48	Body Packing (Left)	AC40AYUZV00	1	
B - 49	Body Packing (Right)	AC39AYUZV00	1	
B - 50	Screw (Handle Fitting and Motor Cover)	AXTN4+20BFY	7	
B - 51	Screw (Grounding)	AXYN4+E10FFY	2	
B - 52	Tie Cable	AMC596-702	1	

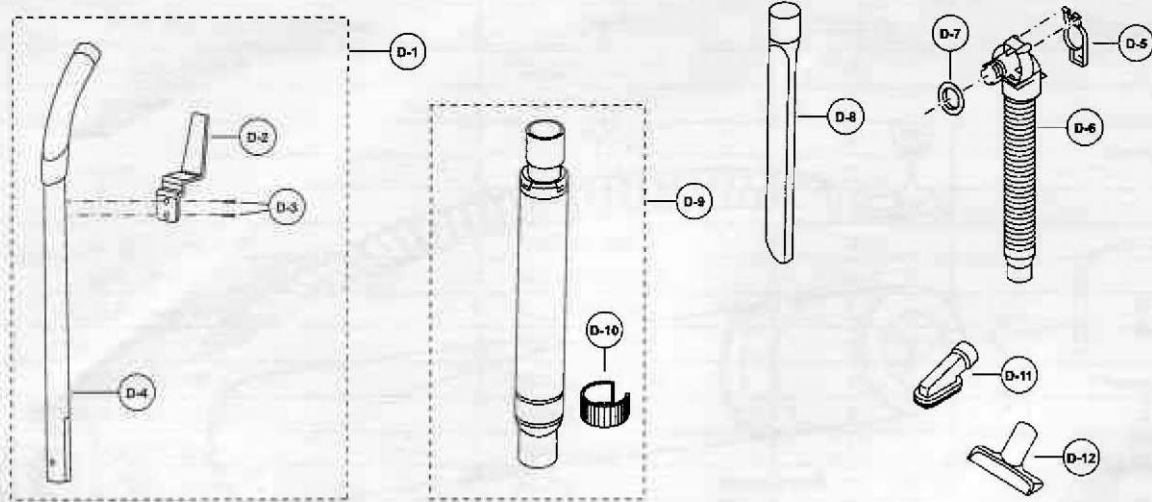
## EXPLODED VIEW (AGITATOR ASSEMBLY)... C BLOCK



## PARTS LIST (AGITATOR ASSEMBLY)... C BLOCK

Ref. No.	Part Name & Description	Part No.	Quantity	Remarks
C - 1	Agitator Assembly Complete	AC92SYUZ00	1	
C - 2	Agitator Unit	AC64CTFZ00	1	
C - 3	Brush (Long)	AC78RYUZ00	2	
C - 4	Brush (Short)	AC79RYUZU00	2	
C - 5	Bearing Unit	AC65CTCZ00	2	
C - 6	Washer	AMC681-424	2	

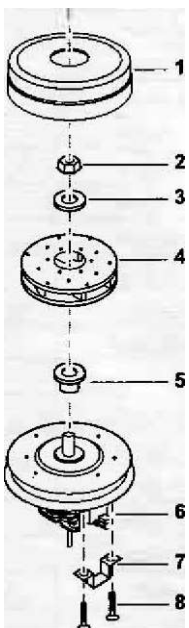
## ■ EXPLODED VIEW (HANDLE, HOSE, AND ATTACHMENTS)... [D] BLOCK



## ■ PARTS LIST (HANDLE, HOSE, AND ATTACHMENTS)... [D] BLOCK

Ref. No.	Part Name & Description	Part No.	Quantity	Remarks
D - 1	Handle Assembly	AC9SBTCZ00	1	
D - 2	Cord Hook	AC53ETEZ00	1	
D - 3	Screw (Cord Hook)	AC68AZAZ00		
D - 4	Handle	AC64BTCZ00	1	
D - 5	Suction Inlet Cover	AC02HYUZV06	1	
D - 6	Hose Unit (Stretch)	AC84PYU2V06	1	
D - 7	Packing (Suction Inlet)	AC64HYUZ00	1	
D - 8	Crevice Tool	AC60RZFZVU6	1	
D - 9	Wand (Telescoping)	AC97PHGZV06	1	
D - 10	Suction Control	AC54PYUZV06	1	
D - 11	Dusting Brush	AC88RYUZV06	1	
D - 12	Upholstery Nozzle	AC62RYUZV06	1	

## EXPLODED VIEW FAN ASSEMBLY



## SUCTION MOTOR FAN REPAIR PARTS

Individual parts for the fan assembly are available to reduce service costs.

Correct procedures **are** explained later in this **Service Manual**.

If the Suction Motor is defective then it must be replaced as a complete unit. See the B **Block** for correct part number.

## PARTS LIST ( SUCTION MOTOR FAN ASSEMBLY)

Ref. No.	Part Name	Part No.	Quantity	Remarks
1	Fan Case	AMC53F-AV00U	1	
2	Nut	AMC33F-AC00U	1	
3	Washer	AMC62F-AV00U	1	
4	Fan	AC98F-AV00U	1	
6	Spacer	AC6QF-AV00U	1	
7	Brush Assembly	AC27F-AV00U	1 (Set)	
8	Bracket	AC02DV3Z0U	2	
9	Screws	AC40DV3Z0U	4	