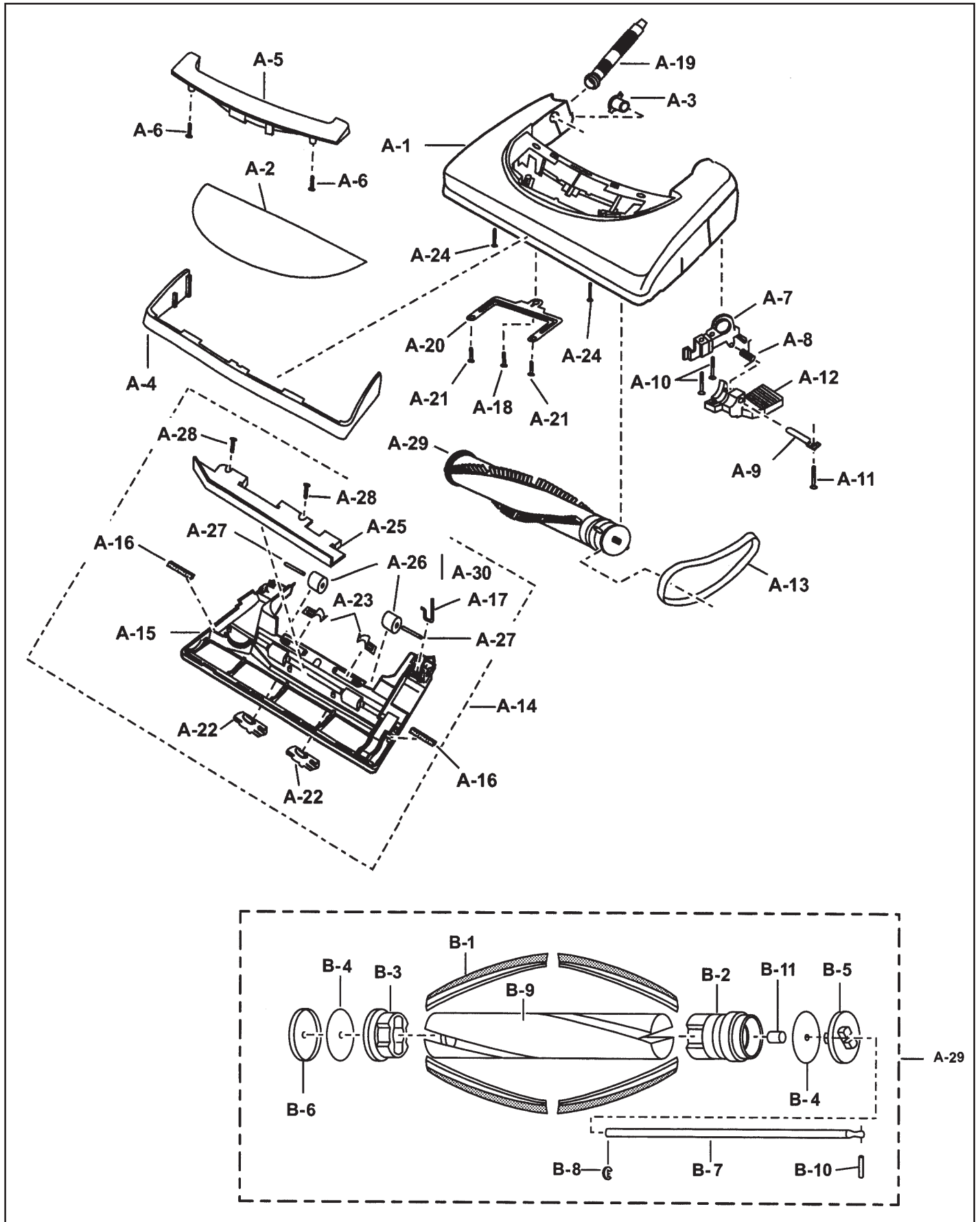


PANASONIC

Original & Replacement

Models V5203, V5204



Original & Replacement

PANASONIC**Models V5203, V5204****PARTS LIST (NOZZLE HOUSING)**

KEY	PART NO.	DESCRIPTION
A-1	P-73063	Nozzle Housing
A-2	P-21HAFVZU03	Window
A-3	P-73900	Plastic Shaft
A-4	P-10AAGZV07	Furniture Guard
A-5	P-24HAFVZU03	Light Cover
A-6	P-AXTN4+20BFY	Screw, Light Cover
A-7	P-73421	Frame
A-8	P-77206	Pedal Spring
A-9	P-73741	Pedal Shaft
A-10	P-AXTN4+10BFY	Screw, Pedal Assembly
A-11	P-77020	Screw, Pedal Assembly
A-12	P-73728	Pedal, Handle Release
A-13	P-MC270BV	Belt UB8 2PK
A-13	PR-1010	Belt UB8
A-14	P-76059	Bottom Plate Assembly
A-15	P-27ABKUZV07	Bottom Plate Only
A-16	P-19AARKZV00	Bottom Plate Packing
A-17	P-43SAFVZ00	Belt Cover
A-18	P-77012	Screw, Slider Support
A-19	P-72406	Nozzle Hose V5203
A-19	P-72404	Nozzle Hose V5204
A-20	P-53KAFVZ00	Slider Support
A-21	P-77020	Screw, Slide Support
A-22	P-76416	Latch, Lower Plate
A-23	P-70NYUZ00	Stop Latch Spring
A-24	P-68A-V30	Screw, Latch
A-25	P-06AAJUZO0	Body, Lower Plate
A-26	P-71010	Wheel
A-27	P-71354	Roller Shaft
A-28	P-77020	Screw, Lower Plate
A-29	P-20063	Brushroll V5203
A-29	P-20052	Brushroll V5204
A-30	P-43SAFXZ00	Belt Guard V5204

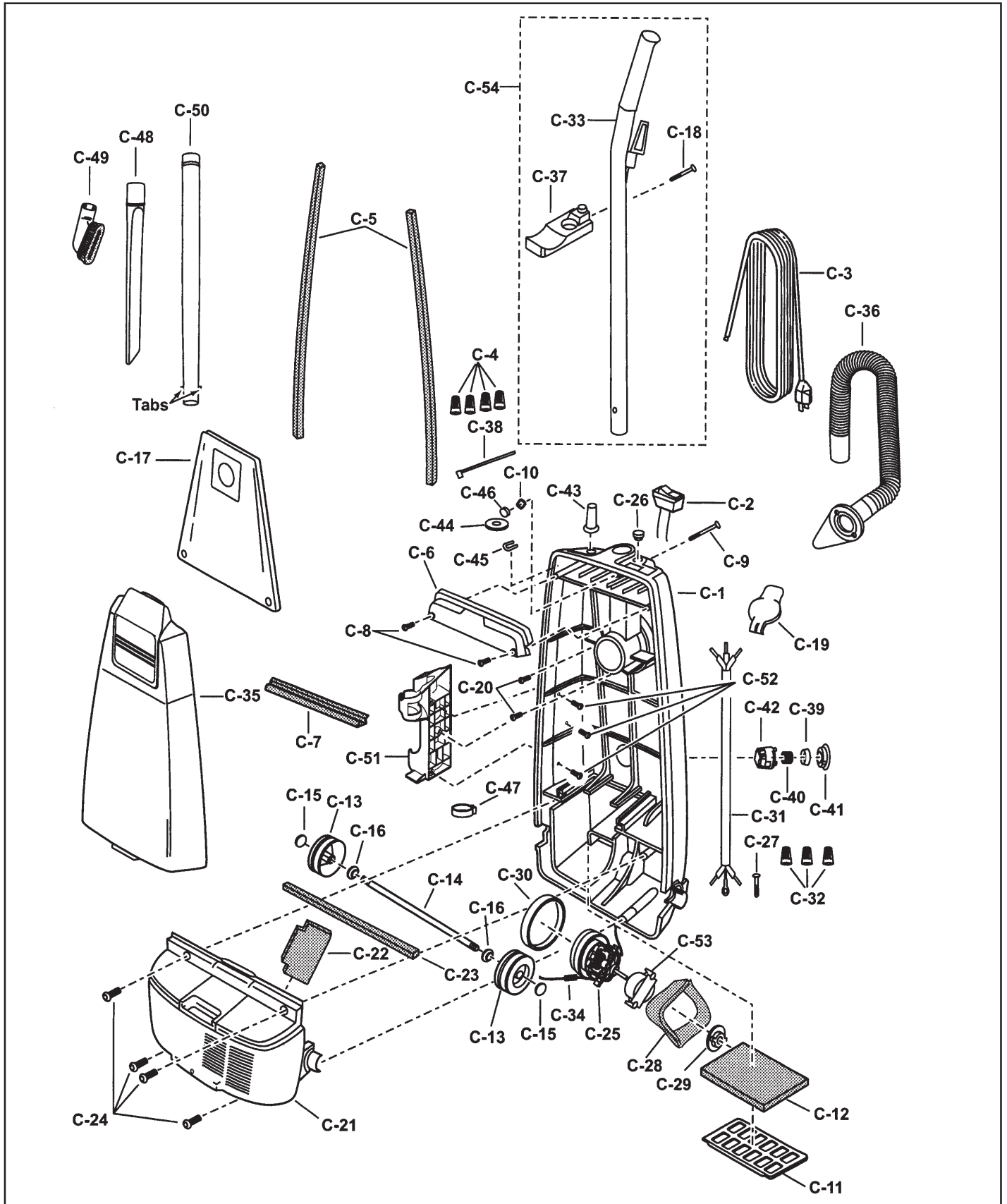
PARTS LIST (BRUSHROLL PARTS)

KEY	PART NO.	DESCRIPTION
B-1	P-85RBFT0000	Brush Strip (set of 4)
B-2	P-29SARGZ00	Pulley, Brushroll
B-3	P-41SJM100	Holder, Brushroll
B-4	P-20640	Filter, Brushroll
B-5	P-20522	End Cap, Belt Side
B-6	P-20521	End Cap, Non-Belt Side
B-7	P-57RATEZ00	Shaft, Brushroll
B-8	P-77105	E-Clip
B-9	P-84RJMZ00	Holder, Brush
B-10	P-XPL16A8WFR	Pin, Spring
B-11	P-74SATEZ00	Spacer

PANASONIC

Original & Replacement

Models V5203, V5204



Original & Replacement

PANASONIC

Models V5203, V5204

PARTS LIST (MAIN BODY)

KEY	PART NO.	DESCRIPTION	KEY	PART NO.	DESCRIPTION
C-1	P-75303	Dust Container (Incl. C-38, C-44-C-46)	C-32	SS-3270	Wire Nut
C-2	P-34100	Switch Includes (Incl. C-38, C46)	C-33	P-64BATNZ00	Handle
C-3	P-94EAPNZY02	Power Cord	C-34	P-99WARGZ00	Motor Lead Assembly
C-4	SS-3270	Wire Nut	C-35	P-60KCCAZUU3	Dust Cover
C-5	P-66KV01V06	Packing, Dust Container	C-36	P-73637	Stretch Hose
C-6	P-03EV07V06	Switch Cover (Incl. C-46)	C-37	P-23PJPZV07	Hose Holder
C-7	P-73KV0ZV06	Packing, Switch Cover	C-38	SS-8017	Cable Tie
C-8	P-77020	Switch Cover Screw	C-39	P-50522	Motor Protector
C-9	P-77043	Screw, Handle	C-40	P-70KJMZ00	Protector Spring, Silver
C-10	P-21B-170	Nut, Handle Screw	C-41	P-50525	Protector Support
C-11	P-18420	Supporter, Filter	C-42	P-75682	Protector Case
C-12	P-18020	HEPA Filter, Secondary	C-43	P-51E4GZU01	Rubber Protector
C-12	P-MC191H	HEPA Filter, Secondary 2 Pk	C-44	P-AXWE10J223FE	Flat Washer
C-13	P-71125	Wheel	C-45	P-06WAPNZ00	Cord Retainer
C-14	P-71375	Roller Shaft	C-46	P-61LAGMZ00	Packing
C-15	P-71500	Wheel Stopper	C-47	P-53RJPZV07	Hose Hook
C-16	P-77118	Washer	C-48	P-54017	Crevice Tool
C-17	P-MC141M	Paper Bag U6 3PK	C-49	P-53020	Dusting Brush
C-17	PR-1471	Paper Bag U6 3PK	C-50	P-50040	Wand, Extension
C-18	P-AXTN4+45BFY	Screw, Hose Holder	C-51	P-75928	Wand Holder
C-19	P-75690	Cover, Inlet	C-52	P-77020	Screw, Tool Holder
C-20	P-77020	Screw, Inlet	C-53	P-93FTEZ0U	Cap, Motor
C-21	P-75084	Motor Case	C-54	P-95BATNZV07	Handle Assembly (Incl. C-18, C-33, C-37)
C-22	P-76850	Packing, Rear Cover			
C-23	P-19FJPZV06	Packing, Motor Case			
C-24	P-XTN4+20BFY	Screw, Motor Cover			
C-25	P-60141	Fan Motor			
C-26	P-38HAPNZ0U	Cover Cap V5203			
C-26	P=38HAPNZU00	Cover Cap V5204			
C-27	P-AXYN4+E10FFY	Screw, Ground			
C-28	P-99GAMMZ00	Noise Suppressor			
C-29	P-03F-V00	Motor Support, Rear			
C-30	P-76768	Motor Support, Front			
C-31	P-37GTEZ0U	Jumper Cord			