

This Owner's Manual is provided and hosted by [Appliance Factory Parts](#).



PANASONIC MC-V5237 Owner's Manual

[Shop genuine replacement parts for PANASONIC
MC-V5237](#)

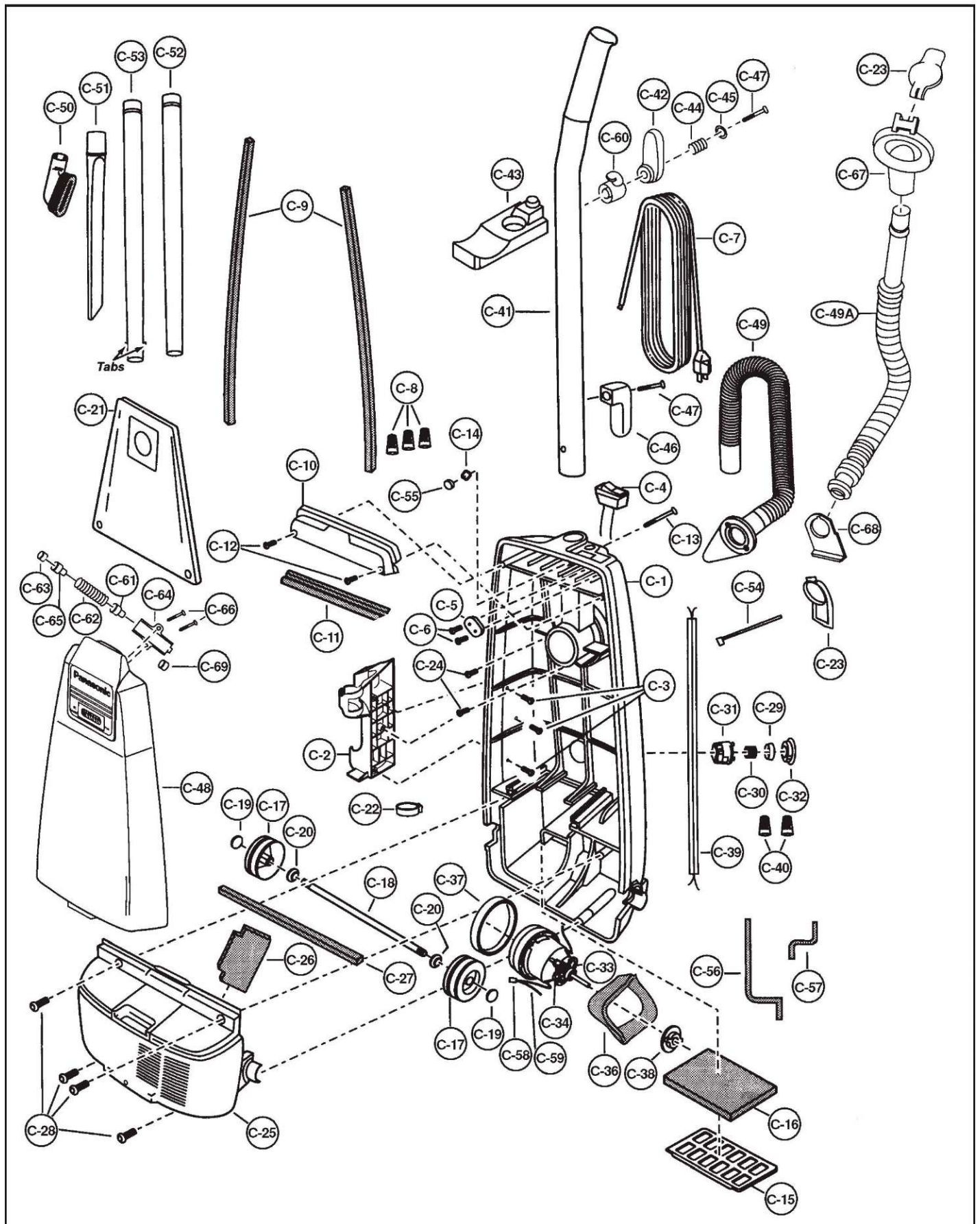


[Find Your PANASONIC Vacuum Cleaner Parts - Select From 605 Models](#)

----- Manual continues below -----

PANASONIC Original & Replacement

Models V5217, V5227, V5237, V5247



Original & Replacement **PANASONIC**

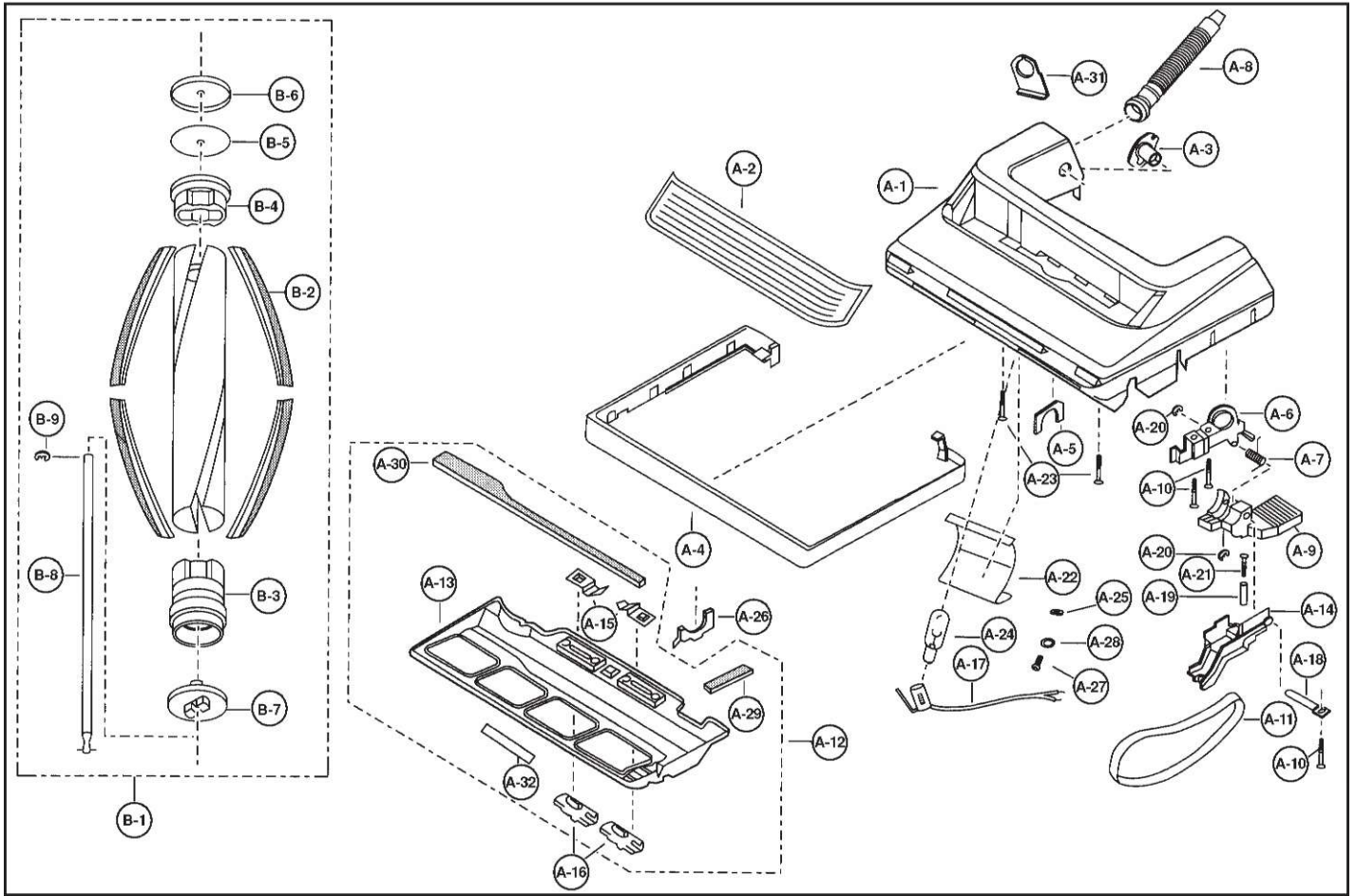
Models V5217, V5227, V5237, V5247

PARTS LIST (MOTOR HOUSING, MOTOR, HANDLE, BODY)

KEY	PART NO.	DESCRIPTION	KEY	PART NO.	DESCRIPTION
C-1	NLA	dust Compartment V5217	C-33	P-60135	Fan Motor Unit V5217
C-1	P-75296	dust Compartment V5227	C-33	P-60145	Fan Motor Unit V5227
C-1	NLA	dust Compartment V5237	C-33	P-60136	Fan Motor Unit V5237
C-1	P-75232	dust Compartment V5247	C-33	P-60159	Fan Motor Unit V5247
C-2	P-75927	Wand Holder V5237	C-34	P-63045	Carbon Brush V5217
C-3	P-AXTN4+16BFY	screw (Wand Holder)	C-34	P-63033	Carbon Brush
C-4	P-34100	On-Off switch		P-68MKEZ00	screw, Brush (Not Illustrated)
C-5	P-62E-J20	Cord stopper	C-36	P-99G-L310X	Noise suppressor
C-6	P-77020	screw (Cord stopper)			V5217, V5237, V5247
C-7	P-97EADGZV06	Power Cord	C-36	P-99GAMMZ00	Noise suppressor V5227
C-7	FA-3035	Power cord 35' 17/2 gray	C-37	P-76768	Motor support (Front)
C-8	ss-3270	Wire connector	C-38	P-76769	Motor support Rubber (Rear)
C-9	P-66KV01V06	Packing (dust Container)	C-39	P-37G-V200U	Wire Cord V5227, V5237
C-10	P-03EV06V06	switch Cover, V5217, V5237, V5247	C-39	P-37G-V020U	Wire Cord V5217, V5247
C-10	P-03EV07V06	switch Cover V5227	C-40	SS-3270	Wire connector
C-11	P-73KV0ZV06	Packing (switch Cover)	C-41	P-70124	Handle
C-12	P-77020	screw (switch Cover)	C-42	P-70818	Upper Cord storage Hook
C-13	P-77043	Handle screw	C-43	P-70500	Hose Holder V5217, V5227, V5247
C-14	P-AMP21B-170	Nut (Handle screw)	C-44	P-77200	spring (Cord Hook)
C-15	P-18420	Filter supporter	C-45	P-77120	Washer (Cord storage Hook)
C-16	P-18014	secondary Filter (electrostatic)	C-46	P-70867	Lower Cord storage Hook
C-17	P-71125	Wheel	C-47	P-77040	screw (Cord storage Hook)
C-18	P-71375	shaft (Wheel)			V5217, V5227, V5247
C-19	P-71500	stopper (Wheel)	C-47	P-54BAHJZ00	screw (Cord storage Hook) V5237
C-20	P-77118	Washer	C-48	P-60KAADZUU1	Dust Cover V5217
C-21	P-MC115P	Paper Bag U3 V5217, V5237, 3 Pk	C-48	P-60KBJYZUU1	Dust Cover V5227
C-21	PR-14005	Paper bag u3 V5217, V5237 3 Pk	C-48	P-60KAAEZUU1	Dust Cover V5237
C-21	P-MC141M	dust Bag U6 V5227, V5247	C-48	P-60KARsZUU1	Dust Cover V5247
C-21	PR-1471	Paper bag u6 V5227, V5247 3 Pk	C-49	P-73637	Hose V5217, V5227, V5247
C-22	P-75921	Hose Ring V5217, V5237, V5247	C-49A	P-73607	Hose V5237
C-23	P-75690	Cover (suction Inlet)	C-50	P-53020	Dusting Brush
		V5217, V5227, V5247	C-51	P-54017	Crevice Tool
C-23	P-75620	Cover (suction inlet) V5237	C-52	P-50030	Wand (Extension)
C-24	P-77020	screw (suction inlet)	C-53	P-50040	Wand (With Tabs)
C-25	P-75032	Motor Case V5217, V5237	C-54	P-596-702	Wire Tie
C-25	P-75023	Motor Case V5227	C-55	P-61LAGMZ00	Packing (Insulator)
C-25	P-75034	Motor Case V5247	C-56	P-39AYUZV00	Packing (Right)
C-26	P-76850	Packing (Rear Cover)	C-57	P-40AYUZV00	Packing (Left)
		V5217, V5227, V5247	C-58	P-36035	Thermal Protector Unit
C-26	P-02LBJYZ00	Packing (Rear Cover) V5237			V5227, V5247
C-27	P-19FJPZV06	Packing (Motor Case)	C-59	P-38GARTZ00	Lead Wire (Motor)
		V5217, V5227, V5237	C-60	P-70915	Cord storage Base V5237
C-27	P-19FARsZV06	Packing (Motor Case) V5247	C-61	P-03M-68ZR0	Lead (Indicator) V5237, V5247
C-28	P-77020	screw (Motor Case)	C-62	P-04MAJPZ00	spring (Indicator) V5237
C-29	P-50522	Protector (Motor)	C-62	P-04MRFZ00	spring (indicator) V5247
		V5217, V5237, V5247	C-63	P-09M-L30	Packing (Indicator) V5237, V5247
C-30	P-77220	Protector spring V5217	C-64	P-15MVZ00	Body (Indicator) V5237, V5247
C-30	P-70KAHHZB00	Protector spring V5227	C-65	P-17M-V20	Cap (Indicator) V5237, V5247
C-30	P-70KJMZ00	Protector spring V5237	C-66	P-AXTN4+10BFY	screw (Indicator) V5237, V5247
C-31	P-75682	Protector Case (Motor)	C-67	P-60HF74VU6	suction Inlet V5237
		V5217, V5227, V5237	C-68	P-73848	Hose support V5237
C-32	P-50525	Protector supporter (Motor)	C-69	P-09M-L30	Packing
		V5217, V5227, V5237			

PANASONIC Original & Replacement

Models V5217, V5227, V5237, V5247



PARTS List (Nozzle HOUSING)

KEY	PART NO.	DESCRIPTION	KEY	PART NO.	DESCRIPTION
A-1	P-73049	Nozzle Housing	A-21	P-AXTN4+28BFY	Screw (Spacer)
A-2	P-75814	Window	A-22	P-84HURZW00	Reflector
A-3	P-73900	shaft (Plastic)	A-23	P-68A-V30	Screw (Nozzle)
A-4	P-74036	Furniture Guard	A-24	FA-3500	bulb
A-5	P-76425	Packing (Nozzle)	A-25	P-XWA5BFY	Spring (Washer)
A-6	P-73421	Frame	A-26	P-76435	Agitator Holder
A-7	P-77206	spring (Pedal)	A-27	P-AXTN4+10BFY	Screw (Bulb Socket)
A-8	P-72404	Nozzle Hose (Blow Molded)	A-28	P-77120	Washer
A-8	P-72408	Nozzle Hose (Wire Reinforced)	A-29	P-39A-2V0	Packing (Lower Plate Right)
		V5217, V5227, V5247	A-30	P-76107	Packing (Lower Plate Left)
A-9	P-73728	Pedal	A-31	P-73840	Hose Supporter
A-10	P-77020	screw (Frame)	A-32	P-07ZADFZ00	Warning Label
A-11	P-MC270Bv	Belt UB8 2 Pk			
A-11	PR-1010	Belt uB8			
A-12	P-76017	Lower Plate Assembly			
A-13	P-27AADGZ00	Lower Plate			
A-14	P-73425	Belt Cover (Rear)			
A-15	P-70NYUZ00	Stop Latch Spring V5227, V5247			
A-15	P-76870	Stop Latch Spring V5217, V5237			
A-16	P-76415	Latch			
A-17	P-93HUsZ00	Bulb Socket			
A-18	P-73742	Pedal Shaft			
A-19	P-72070	Spacer			
A-20	P--XUC4FY	E-clip			

PARTS LIST (AGITATOR)

B-1	P-20014	Agitator
B-2	P-22022	Brush Strip 4 Pk
B-3	P-20654	Agitator Pulley
B-4	P-20742	Agitator Holder
B-5	P-20640	Filter
B-6	P-20521	End Cap (Right)
B-7	P-20522	End Cap (Left)
B-8	P-20605	Agitator Shaft
B-9	P-XUC4FY	E-Clip