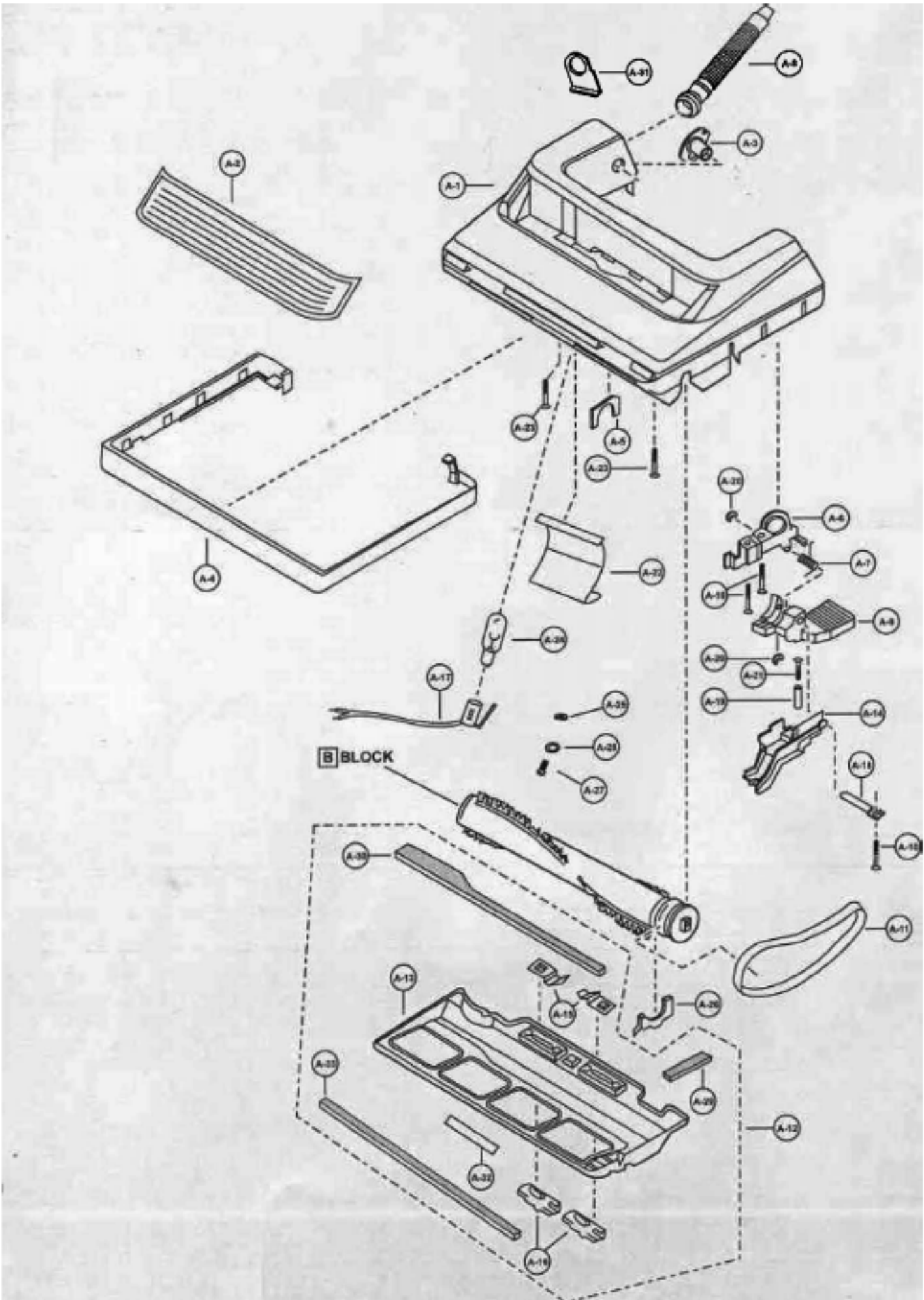
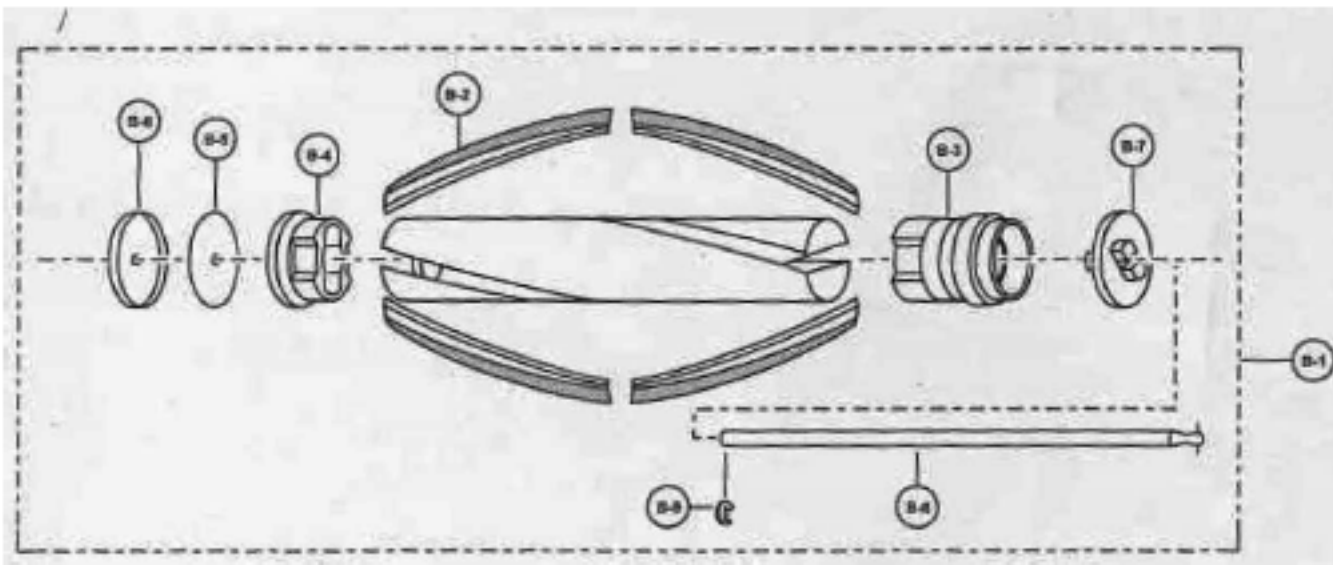


EXPLODED VIEW (NOZZLE HOUSING)... [A] BLOCK



■ PARTS LIST (NOZZLE HOUSING)... [A] BLOCK

Ref. No.	Part Name & Description	Part No.	Quantity	Remarks
A - 1	Nozzle Housing	AC01A8JH2MU9	1	
A - 2	Window	AMC21H-2X0	1	
A - 3	Shaft (Plastic)	AMC25S-V00	1	
A - 4	Furniture Guard	AC10A2VZV06	1	
A - 5	Packing (Nozzle)	AMC81A-V00	1	
A - 6	Frame	AMC43A-2V0	1	
A - T	Spring (Pedal)	AMC58A-2V0	1	
A - 8	Nozzle Hose	AC34PAJD2V06	1	
A - 9	Pedal 7 3 7 ^	AMC47A-2V0U	1	
A - 10	Screw (Frame)	AXTN4+16BFY		
A - 11	Belt 9 - 1 Q 6 1	AC23SJPZG0	1	
A - 12	Lower Plate Assembly C? O / * 7	AC91AADGZ00	1	
A - 13	Lower Plate	AC27AADGZ0G	1	Includes A-32 Label
A - 14	Beit Cover fRearl	AMC11S-2V0W	1	
A - 15	Stop Latch Spring	AC70NYUZ00		
A - 16	Latch	AMC68N-V30K		
A - 17	Bulb Socket	AC93HURZ00	1	
A - 18	Pedal Shaft	AMC51A-2V0	1	
A - 19	Spacer	AMC74S-Z100G	1	
A - 20	E-clip	AMC-XUC4FY		
A - 21	Screw (Spacer)	AXTN4+28BFY	1	
A - 22	Reflector	AC84HURZW00	1	
A - 23	Screw 'Nozzle'	AMC68A-V30		
A - 24	Bulb	AC28GADFZ00	1	
A - 25	Spring (Washer)	AMC-XWA5BFY	1	
A - 26	Agitator Holder	AMC82A-2V0	1	
A - 27	Screw (Bulb Socket)	AXTN4+10BFY	1	
A - 28	Washer	AWIC58B-F70	1	
A - 29	Packing (Lower Plate Right)	AMC39A-2V0	1	
A - 30	Packing (Lower Plate Back)	AMC74A-2V0	1	
A - 31	Hose Supporter	AMC24P-2V0	1	
A - 32	Warning Label	AC07ZADFZ00	1	
A - 33	Packing (Lower Plate Front)	AC74AAAEZ00	1	

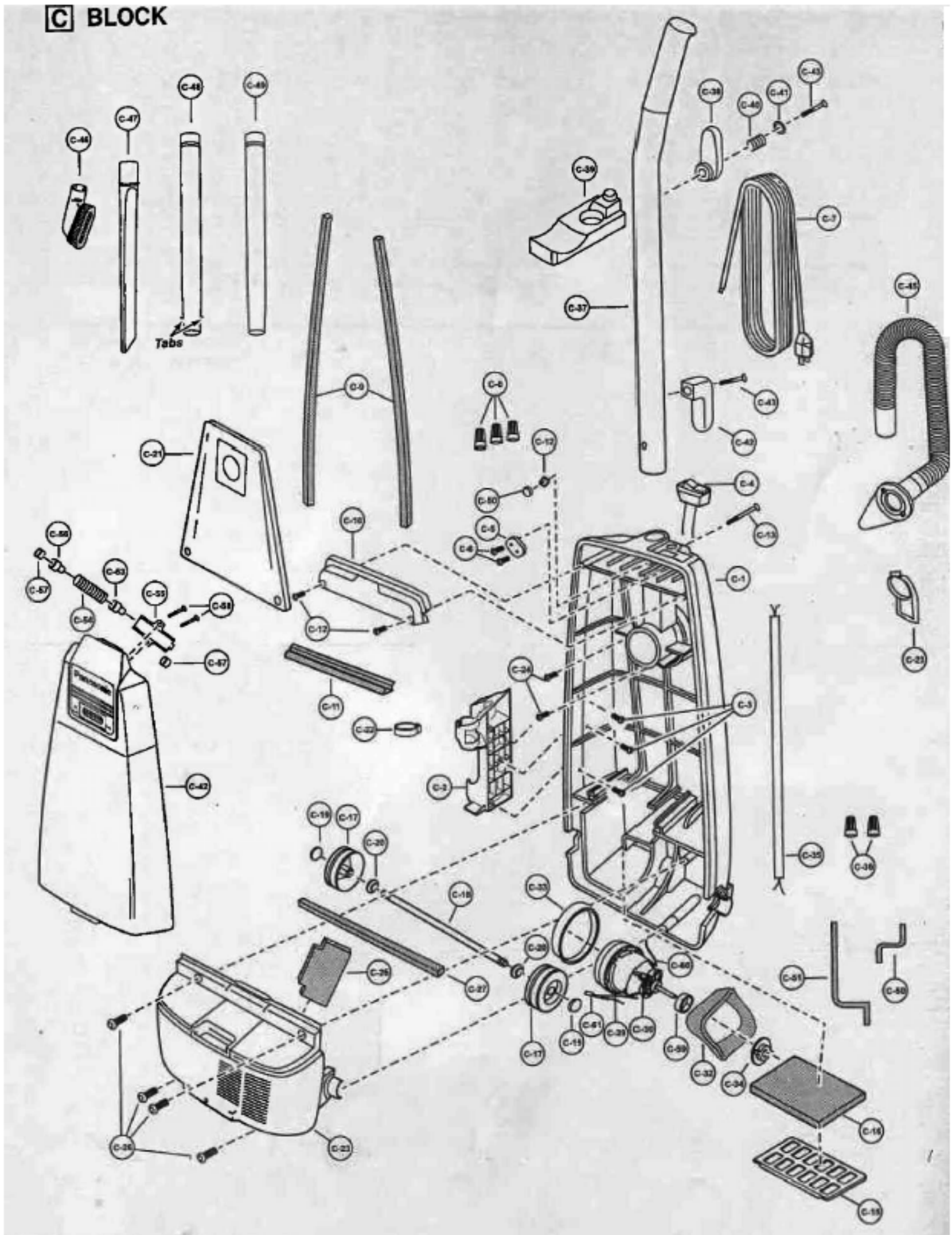


PARTS LIST AGITATOR ASSEMBLY)... [B] BLOCK

sf. No.	Part Name & Description	Part No.	Quantity	Remarks
1	Agitator Assembly	AC923V1300	1	
3-2	Brush (4 Pes.)	AC85RJM1U00	4	
3-3	Agitator Pulley	AC29SV01U00	1	
fl-4	Agitator Hckier	AC41SJM20D	1	
B-5	Fil'or	AC44KJM200	1	
B-C	Brush Support (Right)	ACS8DJMZ0D	1	
B-7	Brush Support (Lotl)	AC97DJMZ00	1	
B-9	Agitator Shaft	AC57RVO100	1	
B-9	ECI'p	AMC-XUC4FY	1	

• **EXPLODED VIEW (MOTOR HOUSING, MOTOR, HANDLE, AND BODY)...**

C BLOCK



PARTS LIST (MOTOR HOUSING, MOTOR, HANDLE, AND BODY)... [C] BLOCK

Ref. No.	Part Name & Description	Part No.	Quantity	Remarks
C-1	Dust Compartment	AC78KARSZV06	1	Includes C-49 and C-50 Packing
C-2	Wand Holder	AC70PJPZV06	1	
C-3	Screw (Wand Holder)	AXTN4+16BFY	3	
C-4	On-Off Switch	AMC98E-V010U	1	
C-5	Cord Stopper	AMC62E-J20	1	
C-6	Screw (Cord Stopper)	AXTN4+16BFY	2	
C-7	Power Cord	AC97EAEEZV06	1	
C-8	Wire Connector	AMC-1CTCE23	3	
C-9	Packing (Dust Container)	AC66KV01V06	2	
C-10	Switch Cover	AC03EV07V06	1	
C-11	Packing (Switch Cover)	AC73KV0ZV06	1	
C-12	Screw (Switch Cover)	AXTN4+16BFY	2	
C-13	Handle Screw	AMC73B-V00	1	
C-14	Nut (Handle Screw)	AMP21B-170	t	
C-15	Filter Supporter	AMC32K-V00	1	
C-16	Secondary Filter (HEPA) j <2	AC37KAAEZ00	1	
C-17	Wheel	AMC01C-V00U	2	
C-18	Shaft (Wheel)	AC16CUS200	1	
C-19	Stopper (Wheel)	AC74SUSZ00	2	
C-20	Washer	AXWG6E115FY	2	
C-21	Dust Bag (Type U6) / /	AC16KJYZ00	1	
C-22	Hose Hook	AC53RJPZV06	1	
C-23	Cover (Suction Inlet)	AC02HYUZV06	1	
C-24	Screw (Suction Inlet)	AXTN4+16BFY	2	
C-25	Motor Case	AC09FARSZM09	1	
C-26	Packing (Rear Cover)	AMC02L-V00	1	
C-27	Packing (Motor Case)	AC19FARSZV06	1	
C-28	Screw (Motor Case)	AXTN4+20BFY	4	
C-29	Fan Motor Unit' (6 Qf ET '1	AC92FARSZ00	1	
C-30	Carbon Brush	AC69RAKEZ00	1 (Set)	
C-31	Screw, Brush (Not Illustrated)	AC8BAAKEZ00	2	
C-32	Noise Suppressor	AMC99GAMMZ00	1	
C-33	Motor Support (Front)	AMC02F-E00	1	
C-34	Motor Support Rubber (Rear)	AMC03F-V00	1	
C-35	Wire Cord	AMC37G-V200U	1	
C-36	Wire Connector	AMC-1CTCE23	2	
C-37	Handle	AMC64B-V2Z00	1	
C-38	Upper Cord Storage Hook	AC53EV0ZV06	1	
C-39	Hose Holder	AC23PJP1V06	1	
C-40	Spring (Cord Hook)	AMC76N-F70	1	
C-41	Washer (Cord Storage Hook)	AMC58B-F70	1	
C-42	Lower Cord Storage Hook	AC54EV0ZV06	1	
C-43	Screw (Cord Storage Hook)	AXTN4+30BFY	2	

■ PARTS LIST (MOTOR HOUSING, MOTOR, HANDLE, AND BODY)...

Ref. No.	Part Name & Description	Part No.	Quantity	Remarks
C - 44	Dust Cover	AC80KBJHZMU9	1	
C-45	Hose	AC84PJPZV06	1	
C - 46	Dusting Brush	AC88RYUZV06	1	
C - 47	Crevice Tool	AC80RZFZVU8	1	
C - 48	Wand (With Tabs)	AC40PJP2V06	1	
C-49	Wand (Extension)	AC40PZG1V06	1	
C - 50	Packing (Insulator)	AC61LAGMZ00	1	
C - 51	Packing (Right)	AC39AARSZV00	1	
C-52	Packing (Left)	AC40AARSZV00	1	
C-53	Lead (Indicator)	AMC03M-68ZR0	1	
C - 54	Spring (Indicator)	AC04MRFZ00		
C - 55	Body (Indicator)	AC15MVZ00	1	
C - 56	Cap (Indicator)	AMC17M-V20	1	
C - 57	Packing (Indicator)	AMC09M-L30	2	
C-58	Screw (Indicator)	AXTN4+10BFY	2	
C - 59	Ring Spacer	AC53MAKEZ00	1	
C-60	Lead Wire (Motor)	AC38GARTZ00	1	
C - 61	Thermai Protector Unit	AC98WAUDZ00	1	