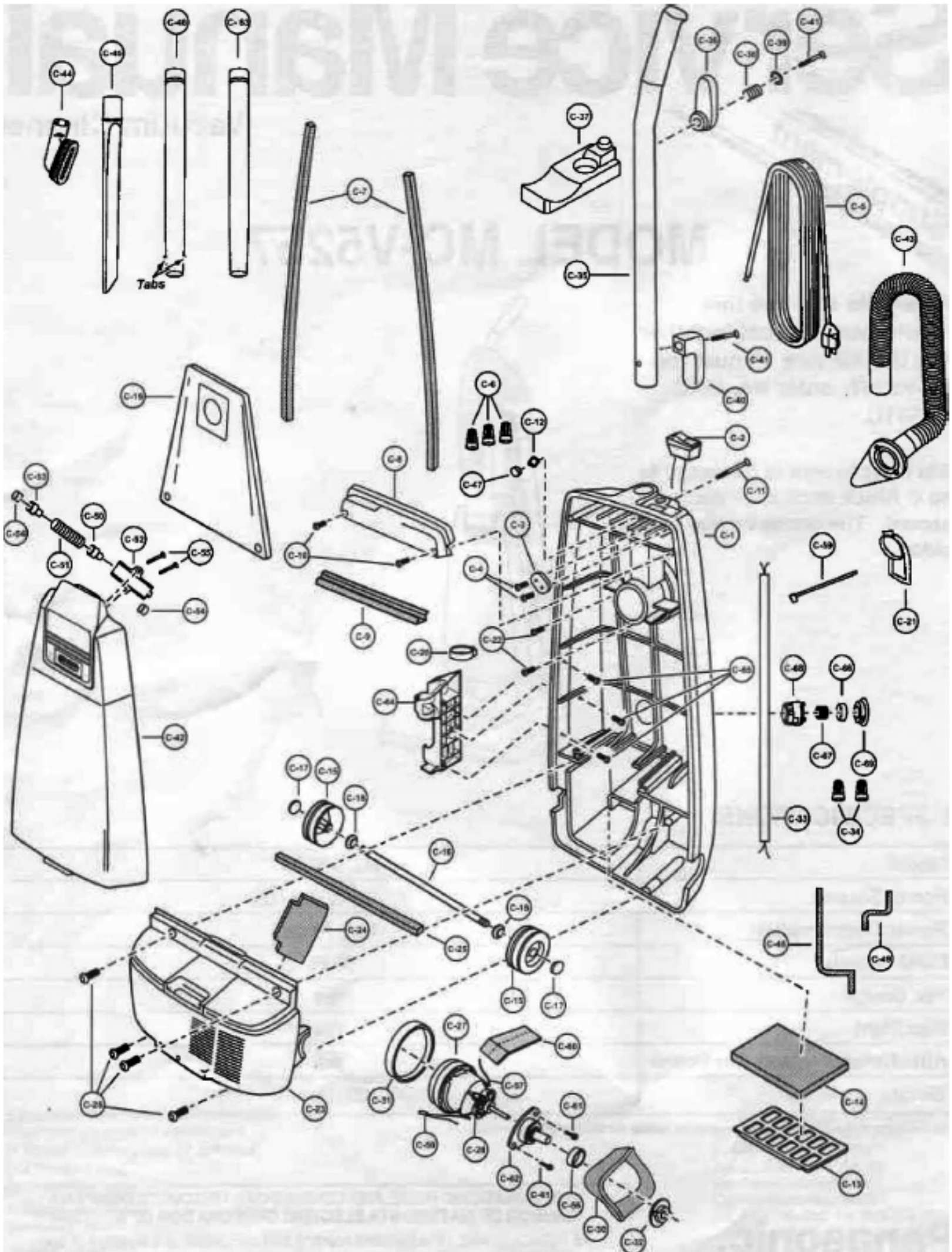


EXPLODED VIEW (BODY, MOTOR HOUSING, AND MOTOR)... BLOCK C



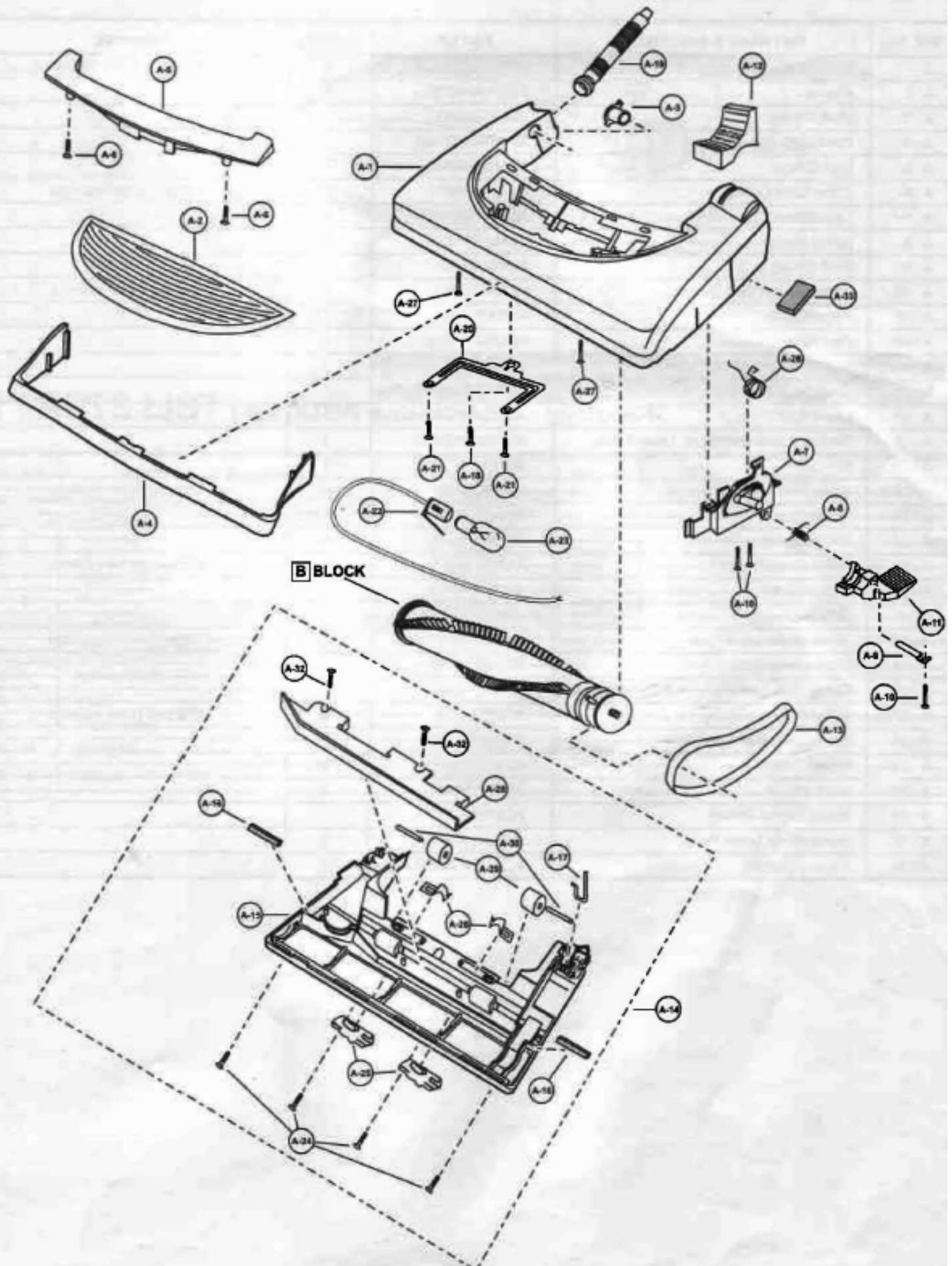
■ PARTS LIST (MOTOR HOUSING, MOTOR, HANDLE, AND BODY)... [C]BLOCK

Ref. No.	Part Name & Description	Part No.	Quantity	Remarks
C-1	Dust Compartment Unit	AC78KBJZ0V06	1	Includes C-49 and C-50 Packing
C-2	On-Off Switch	AMC98E-V010U	1	
C-3	Cord Stopper	AMC62E-J20	1	
C-4	Screw (Cord Stopper)	AXTN4+16BFY	2	Shipped 10 per package
C-5	Power Cord	AC97EAAEEZV06	1	
C-6	Wire Connector	AMC-1CTCE23	3	Shipped 10 per package
C-7	Packing (Dust Container)	AC66KV01V06	2	
C-8	Switch Cover	AC03EV07V06	1	
C-9	Packing (Switch Cover)	AC73KV0ZV06	1	
C-10	Screw (Switch Cover)	AXTN4+16BFY		Shipped 10 per package
C-11	Handle Screw	AMC73B-V00	1	Shipped 10 per package
C-12	Nut (Handle Screw)	AMP21B-170	1	Shipped 10 per package
C-13	Filter Supporter	AMC32K-V00	1	
C-14	Secondary Filter (HEPA)) 5(7j/7	AC37KRFZ00	1	
C-15	Wheel	AMC01C-V00U	2	
C-16	Shaft (Wheel)	AC16CUSZ00	1	
C-17	Stopper (Wheel)	AC74SUSZ00	2	
C-18	Washer	AXWG6E115FY	2	Shipped 10 per package
C-19	Dust Bag (Type U6) / E-1	AC16KJYZ00	1	
C-20	Hose Hook	AC53RJPZV06	1	
C-21	Cover (Suction Inlet)	AC02HYUZV06	1	
C-22	Screw (Suction Inlet)	AXTN4+16BFY	2	Shipped 10 per package
C-23	Motor Case	AC09FBJZZU01	1	
C-24	Packing (Rear Cover)	AC02LBJYZ00	1	
C-25	Packing (Motor Case)	AC19FJPZV06	1	
C-26	Screw (Motor Case)	AXTN4+20BFY	4	Shipped 10 per package
C-27	Fan Motor Unit	AC92FBJZ0000	1	
C-28	Carbon Brush	AC69RAKEZ00	1 (Set)	
C-29	Screw, Brush (Not Illustrated)	AC68AAKEZ00	2	
C-30	Noise Suppressor	AC99GAMMZ00	1	
C-31	Motor Support (Front)	AMC02F-E00	1	
C-32	Motor Support Rubber (Rear)	AC03FAFYZ00	1	
C-33	Wire Cord	AMC37G-V200U	1	
C-34	Wire Connector	AMC-1CTCE23	2	Shipped 10 per package
C-35	Handle	AMC64B-V2Z00	1	
C-36	Upper Cord Storage Hook	AC53EV0ZV06	1	
C-37	Hose Holder	AC23PJP1V06	1	
C-38	Spring (Cord Hook)	AMC76N-F70	1	
C-39	Washer (Cord Storage Hook)	AMC58B-F70	1	Shipped 10 per package
C-40	Lower Cord Storage Hook	AC54EV0ZV06	1	
C-41	Screw (Cord Storage Hook)	AXTN4+30BFY	2	Shipped 10 per package
C-42	Dust Cover	AC60KTNZU01	1	
C-43	Hose	AC84PJPZV06	1	
C-44	Dusting Brush	AC88RYUZV06	1	
C-45	Crevice Tool	AC60RZFZVU6	1	
C-46	Wand (With Tabs)	AC40PJDZV06	1	

■ PARTS LIST (MOTOR HOUSING, MOTOR, HANDLE, AND BODY)... [C] BLOCK

Ref. No.	Part Name & Description	Part No.	Quantity	Remarks
C - 47	Packing (Insulator)	AC61LAGMZ00	1	
C-48	Packing (Right)	AC39AYUZV00	1	
C - 49	Packing (Left)	AC40AYUZV00	1	
C - 50	Lead (indicator)	AMC03M-68ZR0	1	
C - 51	Spring (indicator)	AC04MAJPZ00	1	
C - 52	Body (Indicator)	AC15MVZ00	1	
C - 53	Cap (Indicator)	AMC17M-V20	1	
C - 54	Packing (Indicator)	AMC09M-L30		
C - 55	Screw (Indicator)	AXTN4+10BFY		Shipped 10 per package
C - 56	Ring Spacer	AC53MAKEZ00	1	
C - 57	Lead Wire (Motor)	AC3SGARTZ00	1	
C - 56	Thermal Protector Unit	AC99WAJDZ00	1	
C-59	Wire Tie	AMC596-702	1	Shipped 10 per package
C - 60	Cooling Guide	AC41FATCZ00	1	
C - 61	Screw (Flange)	AXYN4+10FFY		Shipped 10 per package
C - 62	Flange	AC25SAFYZ00	1	
C-63	Wand (Extension)	AC40PZG1V06	1	
C -64	Wand Holder	AC70PJPZV06	1	
C - 65	Screw (Wand Holder)	AXTN4+16BFY	3	

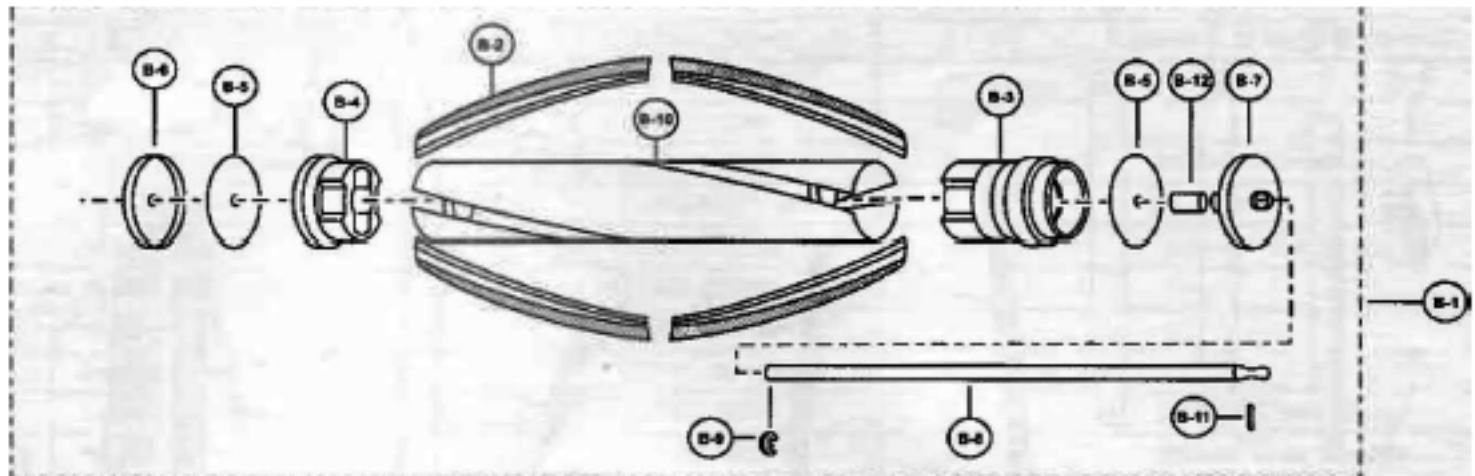
EXPLODED VIEW (NOZZLE HOUSING)... [A] BLOCK



• **PARTS LIST (NOZZLE HOUSING)... [A] BLOCK**

Ref. No.	Part Name & Description	Part No.	Quantity	Remarks
A - 1	Nozzle Housing	AC01ABJZ00U1	1	Includes A-33 Packing
A - 2	Window	AC21HAFVZ00	1	
A - 3	Shaft (Plastic)	AMC25S-V00	1	
A - 4	Furniture Guard	AC10AAGZZV07	1	
A - 5	Light Cover	AC24HAFVZU01	1	
A - 6	Screw (Light Cover)	AXTN4+20BFY		Shipped 10 per package
A - 7	Carpet/Bare Floor - Handle Release Assembly	AC92BAFW6U01	1	
A - 8	Spring (Pedal)	AC58AAFVZ00	1	
A - 9	Shaft (Pedal)	AMC51A-V30	1	
A - 10	Screw (Pedal/Frame Assembly)	AXTN4+14BFY		Shipped 10 per package
A - 11	Pedal (Black)	AMC47A-2V0U	1	
A - 12	Foot Pedal Cover	AC42AAFVZV07	1	
A - 13	Belt	AC28SJPZ00	1	
A - 14	Lower Plate Assembly 1 Q, O	AC91AATEZV07	1	
A - 15	Lower Plate	AC27AATEZV07	1	
A - 16	Packing (Lower Plate/Body, Lower Plate)	AC19AARKZV00	1	
A - 17	Belt Cover	AC43SAFVZ00	1	
A - 18	Screw (Slider Support)	AC68AZAZ00	1	Shipped 10 per package
A - 19	Nozzle Hose	AC34PAJDZV06	1	
A - 20	Slider Support	AC53KAFVZ00	1	
A - 21	Screw (Slider Support)	AXTN4+16BFY		Shipped 10 per package
A - 22	Socket (Bulb)	AC93HURZ00	1	
A - 23	Bulb	AC28GADFZ00	1	
A - 24	Screw (Metal Lower Plate)	AXTS3+10BFY	4	Shipped 10 per package
A - 25	Latch (Lower Plate)	AMC68N-AV0K	2	
A - 26	Spring (Stop Latch)	AC70NYUZ00	2	
A - 27	Screw (Nozzle Housing, For Latch)	AMC6SA-V30	2	Shipped 10 per package
A - 28	Botfy (Lower Plate)	AC06AAJUZ00	1	
A - 29	Wheel	AC90QNGZV06	2	
A - 30	Shaft (Wheel)	AC16CNXZ00	2	
A - 31	Spring (Shifter Return)	AC81HAGZZ00	1	
A - 32	Screw (Body, Lower Plate)	AXTN4+16BFY	2	
A - 33	Packing (Nozzle)	AC04RAFWZ00	1	

• **EXPLODED VIEW (AGITATOR ASSEMBLY)... [B] BLOCK**



■ **PARTS LIST (AGITATOR ASSEMBLY)... [B] BLOCK**

Ref. No.	Part Name & Description	Part No.	Quantity	Remarks
B - 1	Agitator Assembly p. 007 Qp	AC92SATE200	1	
B - 2	Brush (4-Pes.)	AC85RBFT0000	1	
B-3	Agitator Pulley	AC29SARGZ00	1	
B - 4	Agitator Holder	AC41SJMZ00	1	
B - 5	Filter	AC44KJMZ00		
B - 6	End Cap (Right) * Z *	AC96DJMZ00	1	
B - 7	End Cap (Left)	AC97DJMZ00	1	
B - e	Agitator Shaft	AC57RATEZ00	1	
B - 9	E-Clip	AMC-XUC4FY	1	
B - 10	Brush Holder	AC84RJMZ00	1	
B - 11	Spring Pin	AXPL16ASWFR	1	
B - 12	Spacer	AC74SATEZ00	1	