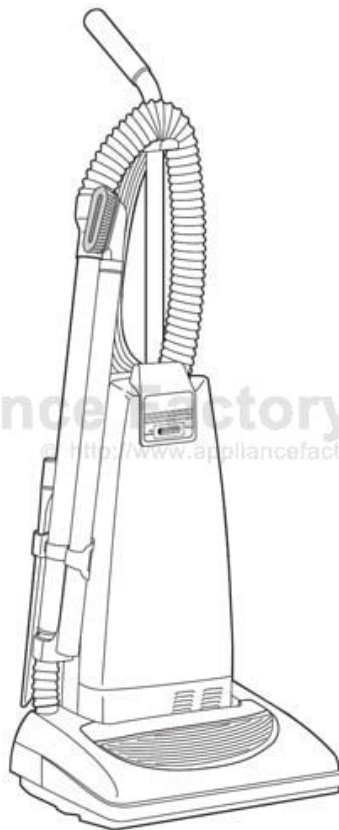


This Owner's Manual is provided and hosted by [Appliance Factory Parts](#).



PANASONIC MC-V5297 Owner's Manual

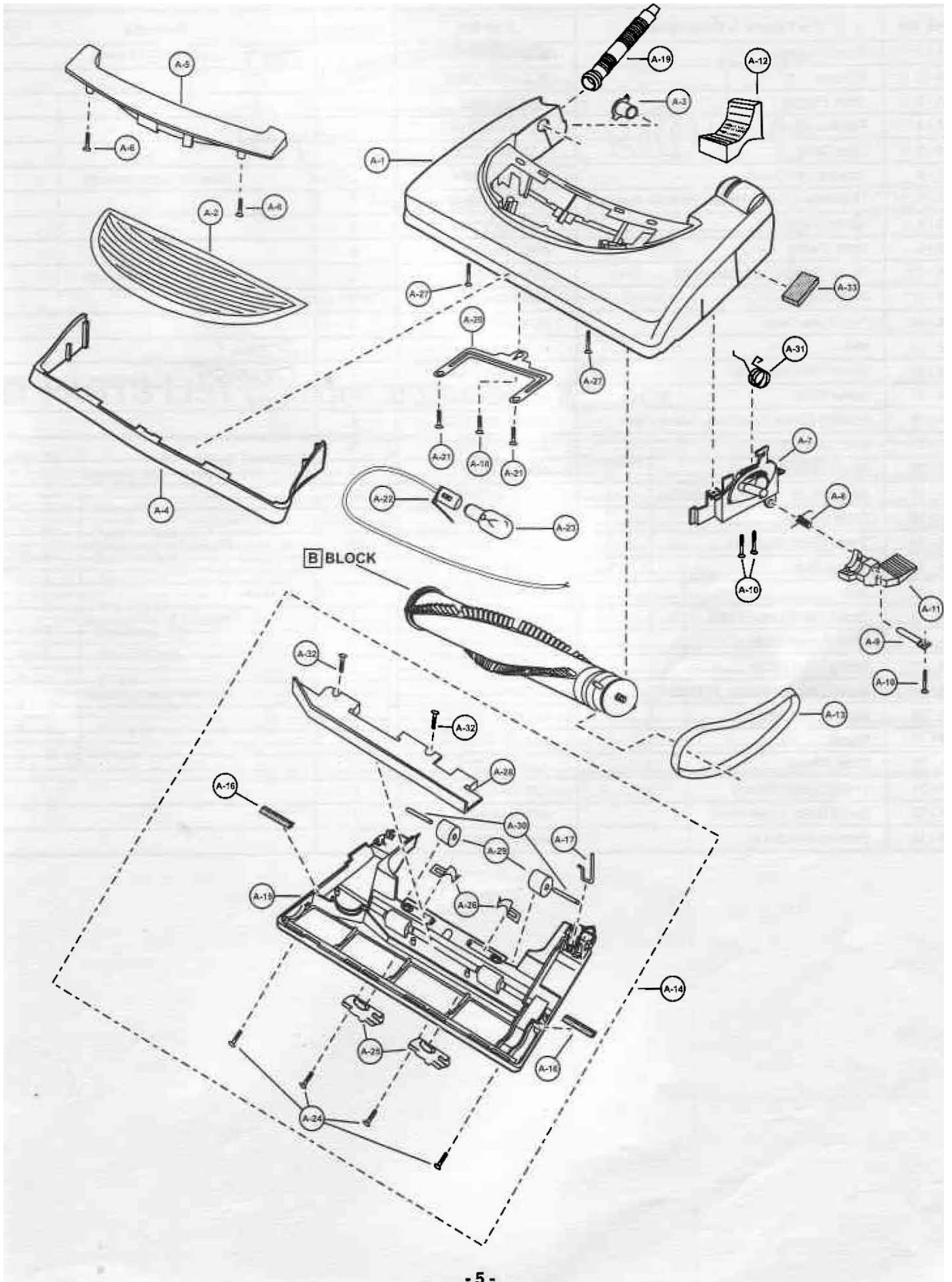
[Shop genuine replacement parts for PANASONIC
MC-V5297](#)



[Find Your PANASONIC Vacuum Cleaner Parts - Select From 605 Models](#)

----- Manual continues below -----

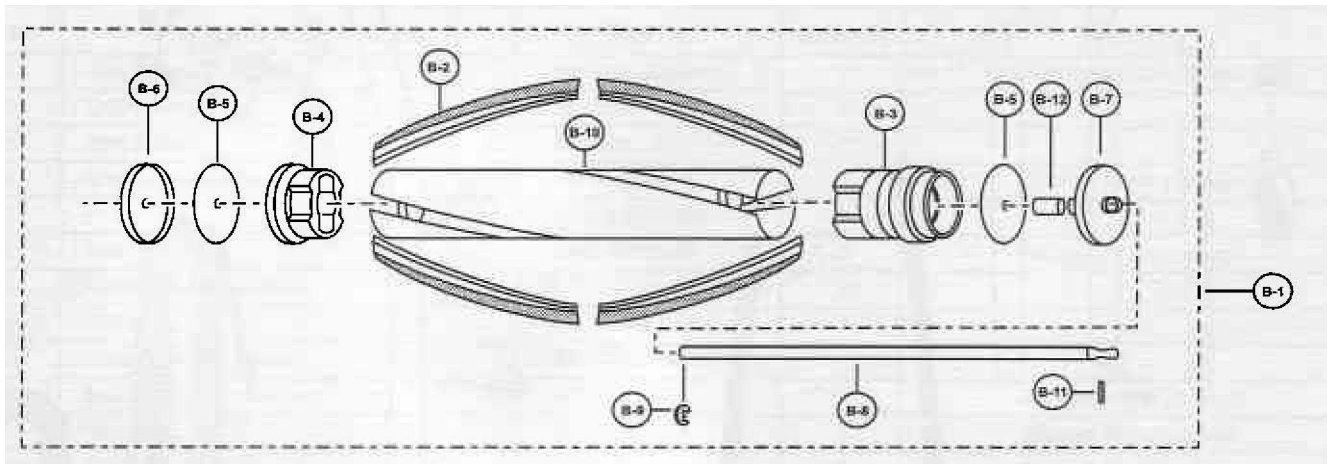
EXPLODED VIEW (NOZZLE HOUSING)... **A** BLOCK



■ PARTS LIST (NOZZLE HOUSING)... [A] BLOCK

Ref. No.	Pari Name & Description	Part No.	Quantity	Remarks	H
A - 1	Nozzle Housing	AC01ABYT2UU1	1	7 3 Q t *7 deludes A-33 Packing	
A - 2	Window	AC21HAFVZ00	1		
A - 3	Shaft (Plastic)	AMC25S-V00	1		
A - 4	Furniture Guard	AC10AAGZZV07	1		
A - 5	Light Cover	AC24HAFVZU01	1		
A - 6	Screw (Light Cover)	AXTN4+20BFY		Shipped 10 per package	
A - 7	Carpet/Bare Floor - Handle Release Assembly	AC92BAFWZU01	1		
A - 8	Spring (Pedal)	AC58AAFVZ00	1		
A - 9	Shaft (Pedal)	AMC51A-V30	1		
A - 10	Screw (Pedal/Frame Assembly)	AXTN4+14BFY		Shipped 10 per package	
A - 11	Pedal (Black)	AMC47A-2V0U	1		
A - 12	Foot Pedal Cover	AC42AAFY2V07	1		
A - 13	Belt	AC28SJP200	1		
A - 14	Lower Plate Assembly	AC91AATEZV07	1		
A - 15	Lower Plate	AC27AATEZV07	1		
A - 16	Packing (Lower Plate/Body, Lower Plate)	AC19AARKZV00	1		
A - 17	Belt Cover	AC43SAFVZ00	1		
A - 18	Screw (Slider Support)	AC68AZAZ00	1	Shipped 10 per package	
A - 19	Nozzle Hose	AC34PAJDZV06	1		
A - 20	Slider Support	AC53KAFVZ00	1		
A - 21	Screw (Slider Support)	AXTN4+16BFY		Shipped 10 per package	
A - 22	Socket (Bulb)	AC93HURZ00	1		
A - 23	Bulb	AC28GADFZ00	1		
A - 24	Screw (Metal Lower Plate)	AXTS3+10BFY	4	Shipped 10 per package	
A - 25	Latch (Lower Plate)	AMC68N-AV0K	2		
A - 26	Spring (Stop Latch)	AC70NYUZ00	2		
A - 27	Screw (Nozzle Housing, For Latch)	AMC68A-V30	2	Shipped 10 per package	
A - 28	Body (Lower PlateS	AC06AAJUZO0	1		
A - 29	Wheel	AC90QNGZV06	2		
A - 30	Shaft (Wheel)	AC16CNXZ00	2		
A - 31	Spring (Shifter Return)	AC81HAGZZ00	1		
A - 32	Screw (Body, Lower Plate)	AXTN4+16BFY	2		
A - 33	Packing (Nozzle)	AC04RAFVZ00	1		

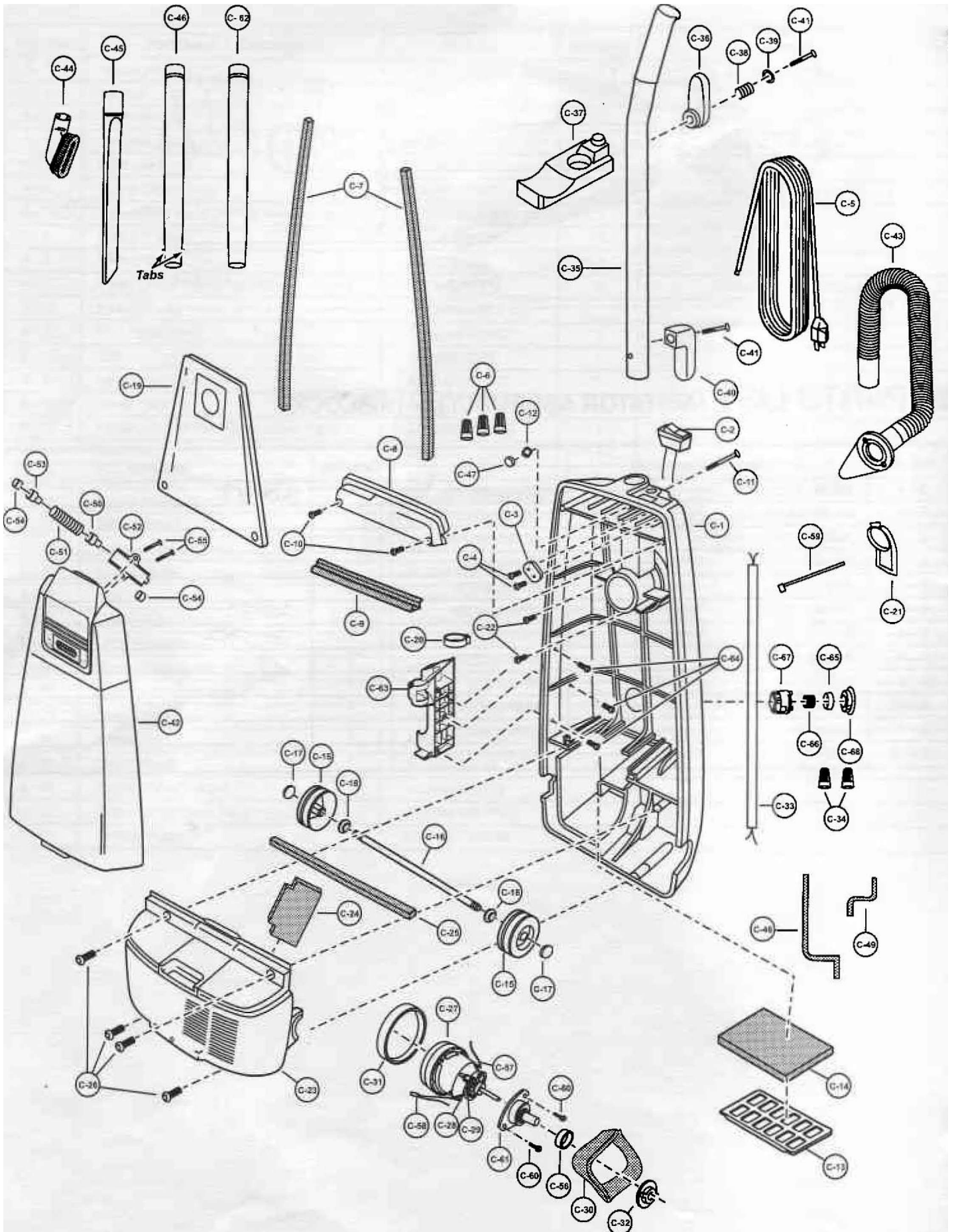
EXPLODED VIEW (AGITATOR ASSEMBLY)... **B** BLOCK



PARTS LIST (AGITATOR ASSEMBLY)... **B** BLOCK

Ref. No.	Part Name & Description	Part No.	Quantity	Remarks
B - 1	Agitator Assembly	AC92SATE200	1	Ch<X>Hl
B ~ 2	Brush (4 Pes.)	AC85RBFT0000	1	
B - 3	Agitator Pulley	AC29SARGZ00	1	
B - 4	Agitator Holder	AC41SJM100	1	
B - 5	Filter	AC44KJMZ00		
B - 6	End Cap (Right)	AC96DJMZ00	1	
B - 7	End Cap (Left)	AC97DJMZ00	1	
B - 8	Agitator Shaft	AC57RATEZ00	1	
B - 9	E-Clip	AMC-XUC4FY	1	
B - 10	Brush Holder	AC84RJMZ00	1	
B - 11	Spring Pin	AXPL16ASWFR	1	
B - 12	Spacer	AC74SATEZ00	1	

EXPLODED VIEW (BODY, MOTOR HOUSING, AND MOTOR)... [C] BLOCK



PARTS LIST (MOTOR HOUSING, MOTOR, HANDLE, AND BODY)... CBLOCK

Ref. No.	Part Name & Description	Part No.	Quantity	Remarks
C - 1	Dust Compartment Unit	AC78KBJZZV07	1	Includes C-49 and C-50 Packing
C - 2	On-Off Switch	AMC98E-V010U	1	
C - 3	Cord Stopper	AMC62E-J20	1	
C - 4	Screw (Cord Stopper)	AXTN4+16BFY	2	Shipped 10 per package
C - 5	Power Cord	AC97EAEE1V06	1	
C - 6	Wire Connector	AMC-1CTCE23	3	Shipped 10 per package
C - 7	Packing (Dust Container)	AC66KV01V06	2	
C - 8	Switch Cover	AC03EV07V06	1	
C - 9	Packing (Switch Cover)	AC73KV0ZV06	1	
C - 10	Screw (Switch Cover)	AXTN4+16BFY	2	Shipped 10 per package
C - 11	Handle Screw	AMC73B-V00	1	Shipped 10 per package
C - 12	Nut (Handle Screw)	AMP21B-170	1	Shipped 10 per package
C - 13	Filter Supporter	AMC32K-V00	1	
C - 14	Secondary Filter (HEPA)	AC37KRF100	1	
C - 15	Wheel	AMC01CAGZZV06	2	
C - 16	Shaft (Wheel)	AC16CUS200	1	
C - 17	Stopper (Wheel)	AC74SUSZ00	2	
C - 18	Washer	AXWG6E115FY	2	Shipped 10 per package
C - 19	Dust Bag (Type U6)	AC16KJYZ00	1	
C - 20	Hose Hook	AC53RJPZV07	1	
C - 21	Cover (Suction Inlet)	AC02HYUZV06	1	
C - 22	Screw (Suction Inlet)	AXTN4+16BFY	2	Shipped 10 per package
C - 23	Motor Case	AC09FBJZZU01	1	
C - 24	Packing (Rear Cover)	ACO2LBJYZ00	1	
C - 25	Packing (Motor Case)	AC19FJPZV06	1	
C - 26	Screw (Motor Case)	AXTN4+20BFY	4	Shipped 10 per package
C - 27	Fan Motor Unit	AC92FBJZZ00	1	
C - 28	Carbon Brush	AC69RAKEZ00	1 (Set)	
C - 29	Screw, Brush (Not Illustrated)	AC68AAKEZ00	2	
C - 30	Noise Suppressor	AC99GAMMZ00	1	
C - 31	Motor Support (Front)	AMC02F-E00	1	
C - 32	Motor Support Rubber (Rear)	AC03FAFYZ00	1	
C - 33	Wire Cord	AMC37G-V200U	1	
C - 34	Wire Connector	AMC-1CTCE23	2	Shipped 10 per package
C - 35	Handle	AMC64B-V2Z00	1	
C - 36	Upper Cord Storage Hook	AC53EV0ZV07	1	
C - 37	Hose Holder	AC23PJP1V07	1	
C - 38	Spring (Cord Hook)	AMC76N-F70	1	
C - 39	Washer (Cord Storage Hook)	AMC58B-F70	1	Shipped 10 per package
C - 40	Lower Cord Storage Hook	AC54EV0ZV07	1	
C - 41	Screw (Cord Storage Hook)	AXTN4+30BFY	2	Shipped 10 per package
C - 42	Dust Cover	AC60KBYTZUU1	1	
C - 43	Hose	AC84PJPZV06	1	
C - 44	Dusting Brush	AC88RYUZV06	1	
C - 45	Crevice Tool	AC60RZFZVU6	1	
C - 46	Wand (With Tabs)	AC40PJPZV06	1	

■ PARTS LIST (MOTOR HOUSING, MOTOR, HANDLE, AND BODY)... [C] BLOCK

Ref. No.	Part Name & Description	Part No.	Quantity	Remarks
C - 47	Packing (Insulator)	AC61LAGM200	1	V
C • 48	Packing (Right)	AC39AYUZV00	1	
C - 49	Packing (Left)	AC40AYUZV00	1	
C - 50	Lead (Indicator)	AMC03M-68ZR0	1	
C - 51	Spring (Indicator)	AC04MAJPZ00	1	
C - 52	Body (Indicator)	AC15MVZ00	1	
C - 53	Cap (Indicator)	AMC17M-V20	1	
C - 54	Packing (Indicator)	AMC09M-L30		
C - 55	Screw (Indicator)	AXTN4+10BFY		Shipped 10 per package
C - 56	Ring Spacer	AC53MAKEZ00	1	
C - 57	Lead Wire (Motor)	AC38GARTZ00	1	
C - 58	Thermal Protector Unit	AC99WAJDZ00	1	
C - 59	Wire Tie	AMC596-702	1	Shipped 10 per package
C - 60	Screw (Flange)	AXTN4+10FFY		Shipped 10 per package
C - 61	Flange	AC25SAFYZ00	1	
C - 62	Wand (Extension)	AC40PZG1V06	1	
C - 63	Wand Holder	AC70PJPZV07	1	
C - 64	Screw (Wand Holder)	AXTN4+16BFY		
C - 65	Protector (Motor)	AC69KJMZV06	1	
C - 66	Protector Spring (Blue)	AC70KAHHZB00	1	
C - 67	Protector Case (Motor)	AC68KJMZV06	1	
C - 68	Protector Supporter (Motor)	AC18MJMZV06	1	