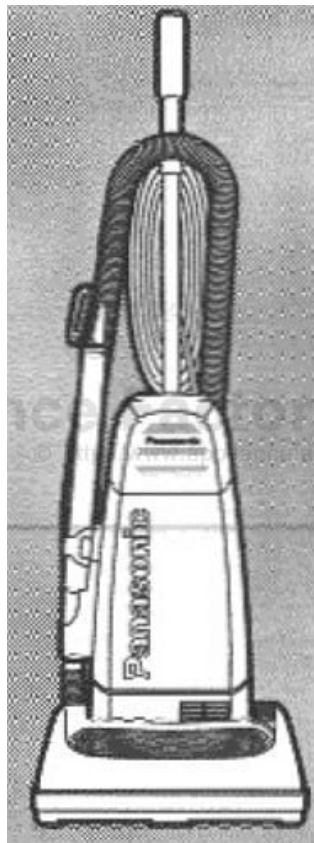


This Owner's Manual is provided and hosted by [Appliance Factory Parts](#).



# PANASONIC MC-V5330 Owner's Manual

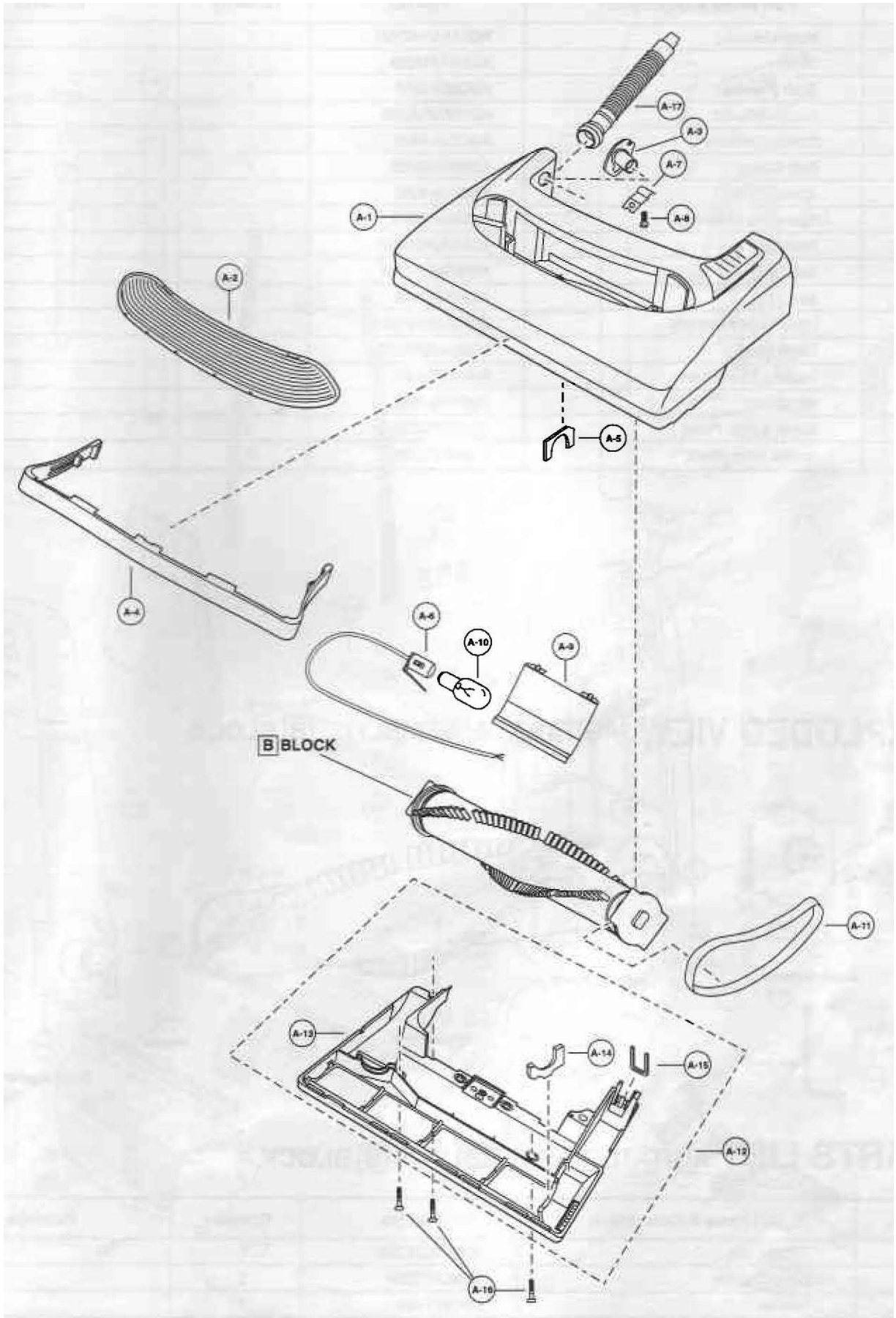
[Shop genuine replacement parts for PANASONIC  
MC-V5330](#)



[Find Your PANASONIC Vacuum Cleaner Parts - Select From 605 Models](#)

----- Manual continues below -----

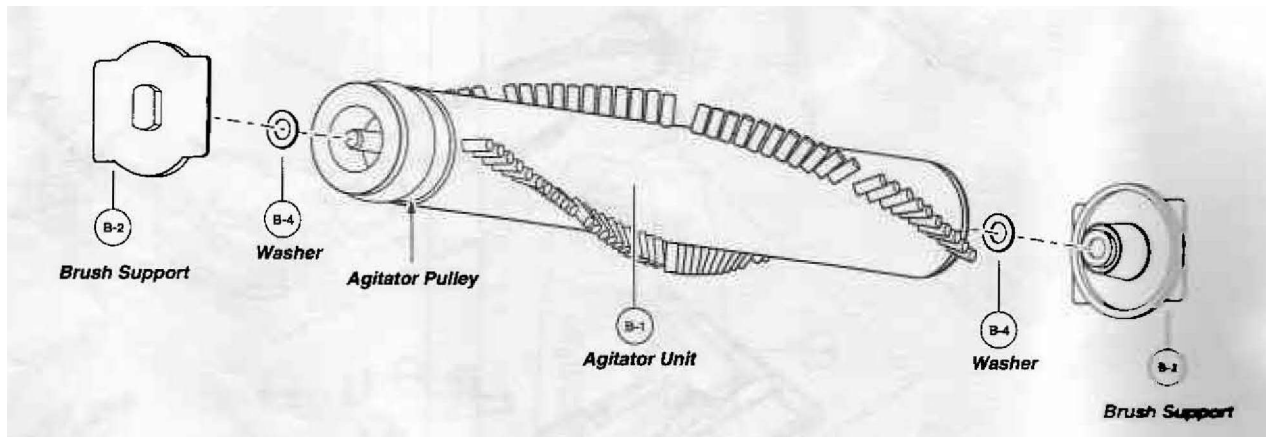
# EXPLODED VIEW (NOZZLE HOUSING)... **A** BLOCK



## ■ PARTS LIST (NOZZLE HOUSING)... [A] BLOCK

Ref. No.	Part Name & Description	Part No.	Quantity	Remarks
A - 1	Nozzle Housing	AC01AANNZPU1	1	
A - 2	Window	AC21HURZ00	1	
A - 3	Shaft (Plastic)	AMC25S-V00	1	
A - 4	Furniture Guard	AC10AURZV06	1	
A - 5	Packing (Nozzle)	AMC81A-V00	1	
A - 6	Bulb Socket	AC93HUSZ30	1	
A - 7	Spring (Pedal)	AMC57A-V00	1	
A - B	Screw (Pedal Spring)	AXTN4+16BFY	1	
A - 9	Reflector	AC84HURZW00	1	
A - 10	Bulb	AC28GADFZ00	1	
A - 11	Beit	AC28SJPZ00	1	
A - 12	Lower Plate Assembly	AC91AAGW1V07	1	
A - 13	Lower Plate	AC27AAGW1V07	1	
A - 14	Packing (Lower Plate)	AMC75A-V00	1	
A - 15	Beit Cover	AMC43S-V00	1	
A - 16	Screw (Lower Plate)	AC68AZAZ00	3	
A - 17	Nozzle Hose (Short)	AG34PJPZV06	1	

## EXPLODED VIEW (AGITATOR ASSEMBLY)... [B] BLOCK

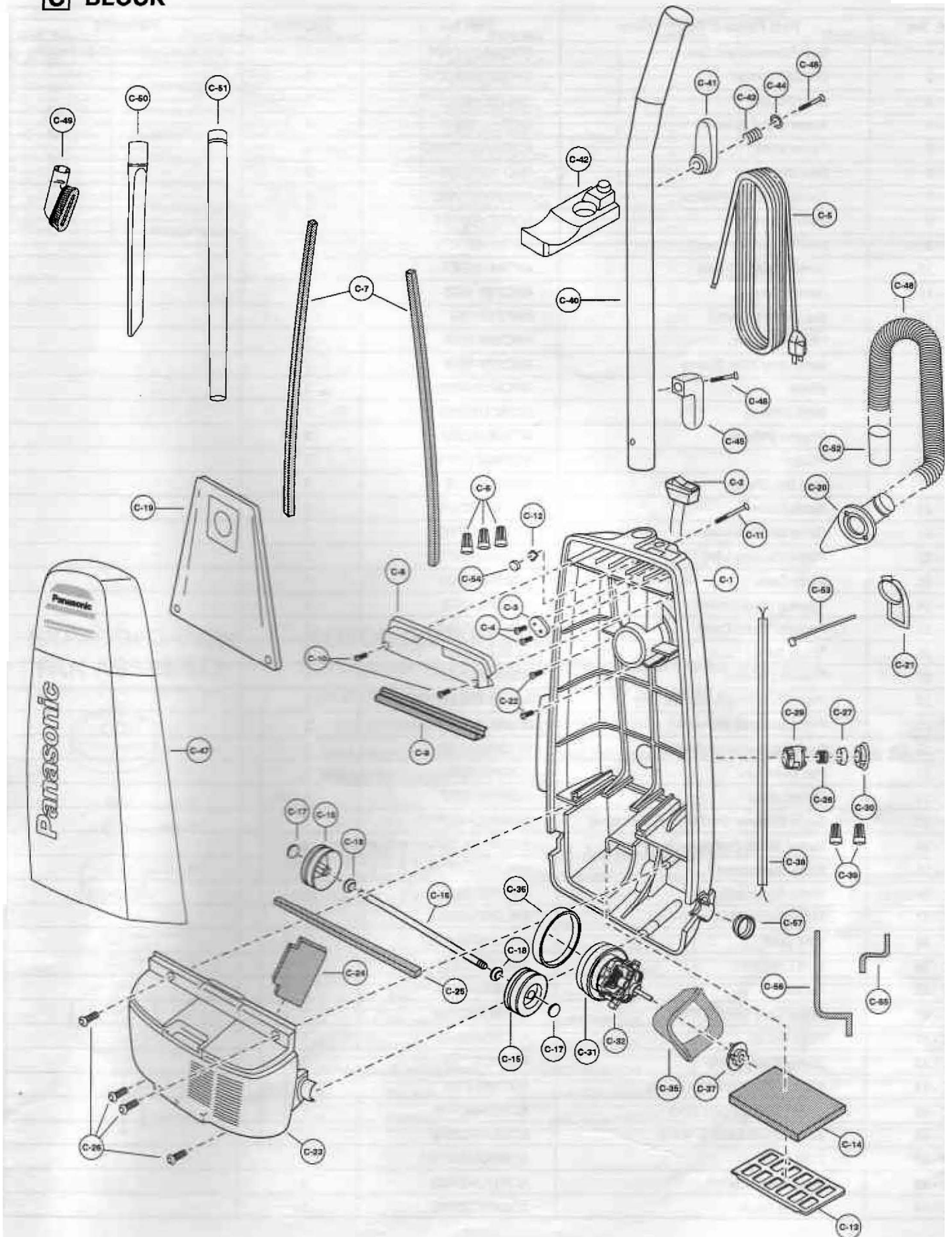


## PARTS LIST (AGITATOR ASSEMBLY)... [B] BLOCK

Ref. No.	Part Name & Description	Part No.	Quantity	Remarks
B - 1	Agitator Unit	AC84RADTZ00	1	
B - 2	Brush Support	AC96DZSZ0U	2	
B - 3	Washer	AMC681-424	2	

# EXPLODED VIEW (MOTOR HOUSING, MOTOR, HANDLE, AND BODY)...

## C BLOCK



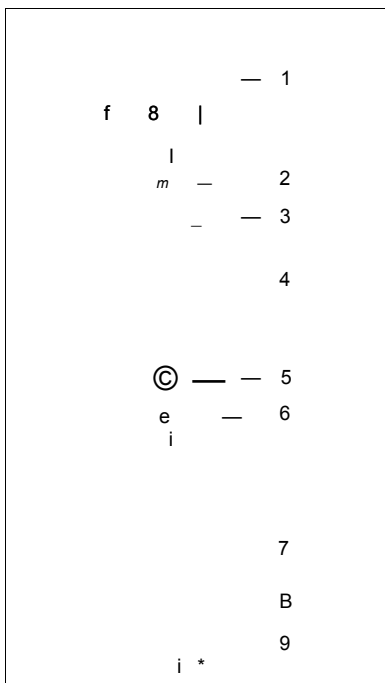
# ■ PARTS LIST (MOTOR HOUSING, MOTOR, HANDLE, AND BODY)... [C] BLOCK

Ref. No.	Part Name & Description	Part No.	Quantity	Remarks
C - 1	Dust Compartment Unit	AC88KAGVZV06	1	Includes C-55 and C-56 Packing
C - 2	ON/OFF Switch	AMC9BE-V000U	1	
C - 3	Cord Stopper	AMC62E-J20	1	
C - 4	Screw (Cord Stopper)	AXTN4+16BFY	2	
C - 5	Power Cord	AC97EAGMZV06	1	
C - 6	Wire Connector	AMC-1CTCE23	3	
C - 7	Packing (Dust Container)	AC66KV01V06	2	
C - 8	Switch Cover	AC03EV06V06	1	
C - 9	Packing (Switch Cover)	AC73KV0ZV06	1	
C - 10	Screw (Switch Cover)	AXTN4-t-16BFY	2	
C - 11	Handle Screw	AMC73B-V00	1	
C - 12	Nut (Handle Screw)	AMP21B-170	1	
C - 13	Filter Supporter	AMC32K-V00	1	
C - 14	Secondary Fitter (Foam)	AMC37K-V00	1	
C - 15	Wheel	AMC01C-V00U	2	
C - 16	Shaft (Wheel)	AC16CUSZ00	1	
C - 17	Stopper (Wheel)	AC74SUSZ00	2	
C - 18	Washer	AXWG6E115FY	2	
C - 19	Dust Bag (Paper)	AMC93K-AV0	1	
C - 20	Suction Inlet	AC60HJPZV06	1	
C - 21	Cover (Suction Inlet)	AC02HYUZV06	1	
C - 22	Screw (Suction Inlet)	AXTN4+16BFY	2	
C - 23	Motor Case	AC09FJP5P01	1	
C - 24	Packing (Rear Cover)	AMC02L-V00	1	
C - 25	Packing (Motor Case)	AC19FJPZV06	1	
C - 26	Screw (Motor Case)	AXTN4+16BFY	4	
C - 27	Protector (Motor)	AC69KJMZV06	1	
C - 28	Protector Spring (Motor, Green)	AC70KAEDZG00	1	
C - 29	Prolectaf Case (Motor)	AC68KJMZV06	1	
C - 30	Protector Supporter (Motor)	AC18MJMZV06	1	
C - 31	Fan Motor Unit	AC92FURZ0U	1	
C - 32	Carbon Brush	AC27FURZ00	1 (Set)	
C - 33	Brush Retainer Bracket (Not Illustrated)	AMC02D-V300U	2	
C - 34	Screw, Brush (Not Illustrated)	AMC40D-V300U	4	
C - 35	Noise Suppressor	AMC99G-L310X	1	
C - 36	Motor Support (Front)	AMC02F-E00	1	
C - 37	Motor Support Rubber (Rear)	AMC03F-V00	1	
C - 38	Wire Cord	AMC37G-V020U	1	
C - 39	Wire Connector	AMC-1CTCE23	2	
C - 40	Handle	AMC64B-V2200	1	
C - 41	Upper Cord Storage Hook	AC53EV0ZV06	1	
C - 42	Hose Holder	AC23PJP1V06	1	
C - 43	Spring (Cord Hook)	AMC76N-F70	1	
C - 44	Washer (Cord Storage Hook)	AMC58B-F70	1	
C - 45	Lower Cord Storage Hook	AC54EV0ZV06	1	
C - 46	Screw (Cord Storage Hook)	AC54BAHJZ00	2	
C - 47	Dust Cover	AC60KANNZPU1	1	
C - 48	Hose Assembly	AC01PJNZV06	1	
C - 49	Dusting Brush	AC88RYUZV06	1	

# ■ PARTS LIST (MOTOR HOUSING, MOTOR, HANDLE, AND BODY)... [C] BLOCK

Ret. No.	Part Name & Description	Part No.	Quantity	Remarks
C-50	Crevice Tool	AC60RZFZVU6	1	
C-S1	Wand (Extension)	AC40PZG1V06	1	
C-52	Hose Adapter	AC58PZF1V06	1	
C-53	Wire Tie	AMC596-702	1	
C-54	Packing (insulator)	AC61LAGMZ00	1	
C-55	Packing (Right)	AC39AYUZV00	1	
C-56	Packing (Left)	AC40AYUZV00	1	
C-57	Plastic Holder	AMC78N-V00	1	

## EXPLODED VIEW FAN ASSEMBLY



## MOTOR REPAIR PARTS

The fan assembly parts are available for repairing fan assemblies.

This should reduce the cost of service for the motor assembly.

Correct procedures are explained later in this **Service Manual**.

If the Motor is defective then it must be replaced as a complete unit. See the **C Block** for correct part number.

## PARTS LIST (FAN ASSEMBLY)

Ref. No.	Part Name	Part No.	Quantity	Remarks
1	Fan Case	AMC53F-AV00U	1	
2	Nut	AMC33F-AC00U	1	
3	Washer (a)	AMC62F-AV00U	1	
4	Fan	AC98FURZ00	1	
5	Washer (b)	AC62FRFZ00	1	
6	Spacer	AC60FRFZ00	1	
7	Brush Assembly	AC27FURZ00	1(Set)	
8	Bracket	AMC02D-V300U	2	
9	Screws	AMC40D-V300U	4	