

BestairPro GH-3200 Installation Instructions

Attention Installer: Read Complete Safety and Installation Instructions Before Starting.

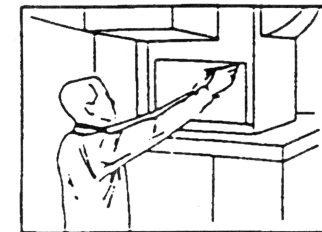
Introduction

The BestairPro GH-3200 is the most efficient flo-thru whole house humidifier you could have chosen to install. It uses 75% less water than other comparable flo-thru models on the market today.

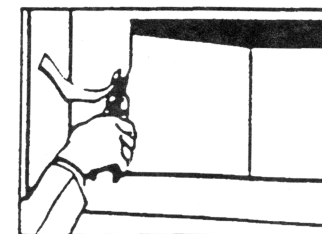
Installation Instructions

1. It is recommended that the GH-3200 be installed on the return air plenum. However, if this is not accessible, the warm air plenum can be used. Select a spot on the plenum that allows for easy access when service or maintenance is required.

2. Draw a level line for the template on the furnace plenum. Make sure the bottom of the template is at least 3 inches above the furnace jacket for the water supply line and drain hose. Place mounting template in position, making sure it is level.



3. Drill the four (4) mounting hole locations. They are marked with a +. Cut the inside opening of the mounting template, leaving the outside lines visible. Be careful to avoid injury from sharp edges.



4. Remove the top cover of the GH-3200 and set aside. Lift front of distribution tray and remove evaporator pad first, then remove distribution tray.

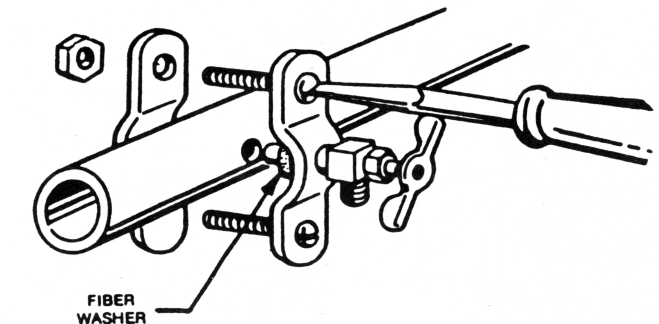
5. Carefully place the GH-3200 cabinet into the opening in the plenum. Insert the 4 mounting screws into the holes and tighten the cabinet to the plenum.

Make the by-pass connection using the necessary hard pipe and elbows or flex duct.

6. The GH-3200 is designed with a reversible side cover plate for the by-pass opening. Carefully select the location for the by-pass connection, and install a snap-in collar. Secure side cover plate on opposite opening with nut and bolt provided.

7. Re-install distribution tray. Lift the front on the distribution tray, slide evaporator pad into position, then lower distribution tray on top of the evaporator pad. Sculptured bottom of evaporator pad should fit into pan liner.

8. Select the nearest water pipe, to install the water line to the humidifier. Tap into the water supply line with the self-tapping saddle valve furnished. The saddle valve must be completely open or closed. Connect an appropriate length of 1/4" plastic-poly tubing and connect it from the saddle valve to the inlet side of the solenoid. A hard water line is preferred.



Use of copper tube voids warranty

9. Install the humidistat per instructions provided with the humidistat. The general rules for the installation of thermostats also apply to the humidifier.

10. Wiring – 24 volts. All wiring must comply with local codes and ordinances. Shut off the furnace power and locate the blower motor junction box. Mount the 24 volt transformer on the box and tap the primary 120 volt leads to the motor wires. Wire the solenoid in series with the 24 volt terminals on the transformer and humidistat. See the wiring diagram below.

11. Attach 1/2 inch I.D. PVC pipe or plastic tubing from the GH-3200 drain at the bottom of the cabinet to the nearest floor drain. Make sure the drain pipe is draining properly and has continuous slope with no traps. PVC is recommended, however, 1/2 inch I.D. plastic hose can be used as long as there is proper slope with no traps.

BestAIR Pro™

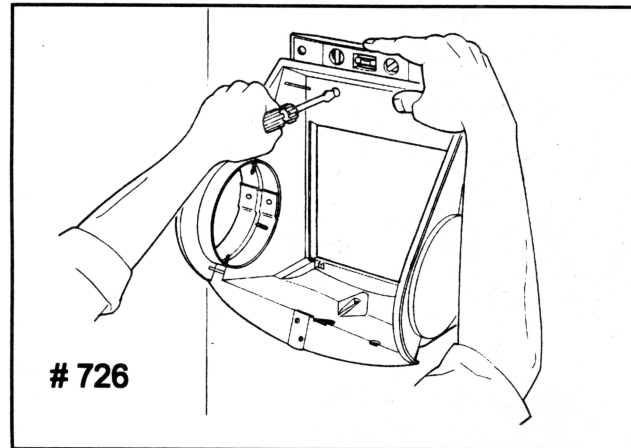
281 Keyes Ave • Hampshire, IL 60140

(847)683-7990

Fax (847)683-7301

Website • www.bestairpro.com

12. Check operation. Open saddle valve and turn on furnace. Turn up the humidistat to engage the GH-3200. Allow the unit to operate until water is observed running from the drain hose. Check for any water leaks. If all functions are operating properly, reset humidistat to recommended level. Place owner's manual near humidistat for owner.



Maintenance Instructions for GH-3200

Danger – To Avoid Hazard of Electrical Shock or Burn, Turn Off Power Supply to Your GH-3200 Before Servicing.

The cleaner your GH-3200, the more efficiently it humidifies.

1. Shut off power and water supply.
2. Remove front cover
3. Lift front of distribution tray and remove evaporation pad. Pad should be changed every 10-20 weeks depending on water condition. (To reassemble, install distribution tray first, then while lifting the front of the distribution tray install bottom of evaporator pad, then push the pad back into position. Lower distribution tray on top of the evaporator pad.
4. All parts (except electrical components and pad) of the GH-3200 can be washed in a 50% solution of water and vinegar. However, it is recommended that you purchase and replace the pan liner and evaporator pad every 10 to 20 weeks.
5. Wipe any loose sediment from the cabinet with your 50% solution. Make sure the drain hole and hoses are free of sediment and particles.

Annual Summer Shutdown

When its time to turn off your GH-3200 for the summer, turn your humidistat to the off setting. It is recommended that you also complete the above 5 easy maintenance steps at this time.

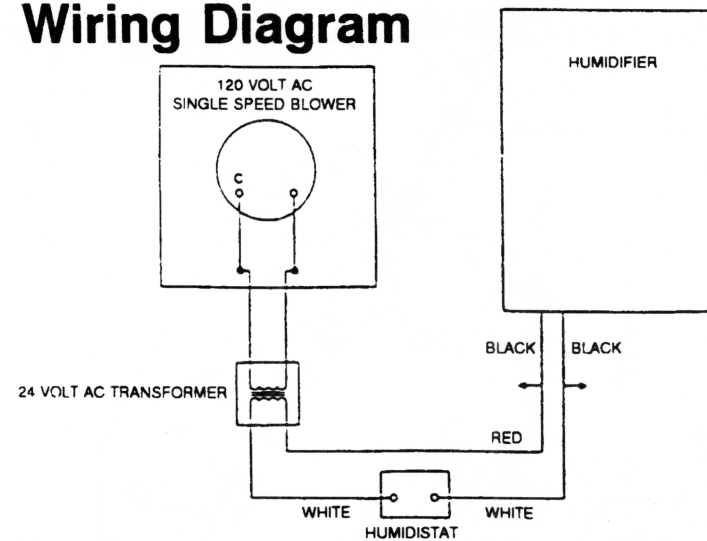
Warning!

1. 120 volts may cause serious injury from electrical shock. Disconnect electrical power to the furnace before starting installation.
2. Sharp edges may cause serious injury from cuts. Use care when making plenum openings and handling duct work.
3. Hot water temperatures in excess of 125 degrees F. may cause serious injury from burns. Make sure water supply is shut off before connecting the water supply.

Caution!

1. Do not install unit where freezing temperature could occur.
2. Do not install unit on the furnace jacket.
3. Do not install unit on a plenum face where the blanked off ends of the cooling coil restrict air movement through the humidifier.
4. Do. Not set humidity higher than recommended. Condensation damage may result.
5. Do not connect the GH-3200 power cord to multi-speed furnace blower motors other than 120 VAC.
6. Do not set humidity up to recommended levels if there is condensation on the inside windows of any unheated living space. Condensation damage may result.
7. Do not install unit on the supply plenum where static pressure exceeds 0.4" W.C.
8. Do not install the unit where water pressure exceeds 65 psi. Leakage may result. Follow codes in effect concerning pressure reduction.

Wiring Diagram



NOTE: CHANGE EVAPORATOR PAD AT THE BEGINNING OF EACH SEASON. SHUT OFF WATER AND AIR FLOW AT THE END OF HEATING SEASON.

GH-3200 REPAIR PARTS LIST

Item #	Part #	Description	Qty/Unit
1	801-T	Main Case	1
2	701	Starting Collar - 6 In. dia.	1
3	806-T	Distribution Tray Assembly	1
4	823	Evaporative Pad	1
5	804	Pan Liner	1
6	708	Drip Valve Replacement Kit	1
7	826	Solenoid Valve	1
8	834	Male Adaptor - Brass	2
9	136	Saddle Valve Kit	1
10	802-T	Side Cover	1
11	800-T	Cover	1
12	157	Humidistat Assembly	1
13	156	Transformer	1
14	715-10	1/2" Drain Hose - 10ft.	1
15	704	1/4" O.D. Water Line - 20ft.	1
16	254-5	Flex Duct - 5ft. Extended	1
17	702	Damper Assembly	1
18	703	Collar Plate for damper	1

