

This Owner's Manual is provided and hosted by [Appliance Factory Parts](http://www.appliancefactoryparts.com).



Broil King 955-48 Owner's Manual

[Shop genuine replacement parts for Broil King 955-48](#)



[Find Your Broil King Grill Parts - Select From 1350 Models](#)

----- Manual continues below part list -----

Available Replacement Parts for Broil King 955-48

03200	spark generator; Bmstr, DCS, Ducane
14625	warming rack universal, 15 x 6.5
10696-160	ORIFICE HOOD R/B 0.160MM NG
119-5000-0	GGK IGNITOR
10472-K36	KNOB GAS VALVE 1 3/4 #E +
11219	CI COOKING GRID - 50M BTU
18434	INFINITY BURNER T501
10156-K55	HEAT SHIELD 950 2600
18488	FLAV-R-WAVE - 50,000 BTU STAINLESS
10225-T422	GRID PORCELAIN WIRE T42/T45 .6
10342-T301	IGNITOR ELECTRODE ASSEMBLY 8 BURNER 1993
18013	LARGE PROBE HEAT INDICATOR
10184-K581	SHELF SUPPORT LFT BLK
10184-K591	SHELF SUPPORT RH BLK
S15111	GREASE CUP HOLDER ALL P8069A +
10342-22	IGNITOR W/PALNUT DUAL
10086-K521	DECO PANEL 950 90 4V 24 7/8
10225-T10	GRID PORCELAIN S/B
10393-K40	SIDE BURNER COVER 1.86
10086-K511	DECO PANEL 950 40 3V 24 7/8
10081-BK630	NAMEPLATE HI BROIL KING BLACK ZINC
10240-15	HINGE PIN SIDE SHELF DROP DOWN
S21237	HINGE PIN SPACER
10110-91	TUBE R/B ASSY COMPR FITTING
S21124	SCREW PHCP #8 X 12 +
PB20-60A	S/B LID HANDLE WAGON ENCLOSER+ W/SCREWS
10390-E10	BURNER SIDE 10BTU W/ELEC #8 +
10393-R50	SIDE BURNER BODY 2002 +
10958-K531	POST BLACK
10239-7	HANDLE GASKET TRIANGULAR 1/8

Y-12220	S/B BUSHING SB 1.375 16 HEY
10342-T12	WIRE ELECTRODE S/B FLAT/FLAT
02342	control knob; universal
10111-K23	HOSE 23 INCH PIGTAIL FITTING POST
30260130	SHELF SIDE REV A +
10472-k40	KNOB ROTARY IGNITOR #B
10225-T423	GRID PORCELAIN WIRE T42/T45 .4
10958-K541	POST COVER BLACK
Y-11990	NUT HEX BRASS 3/8 27 RB LINE

Broil King®

REDDI-BILT BARBECUES

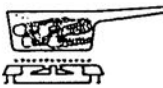
ASSEMBLY MANUAL & PARTS LIST

MANUAL DE MONTAGE & LISTE DE PIÈCES



955-18
955-28




955-48

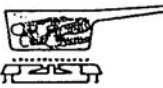


956-28



955-78




955-98

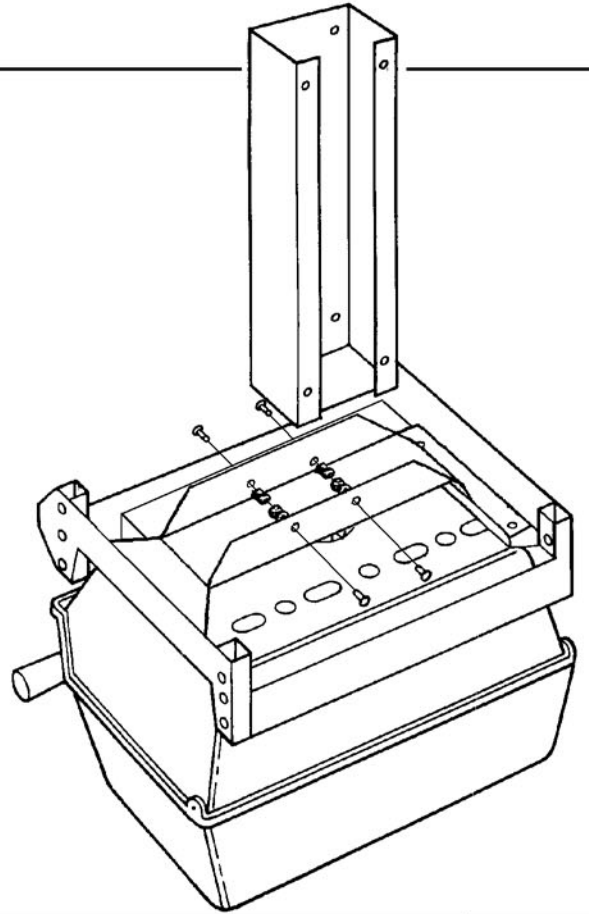
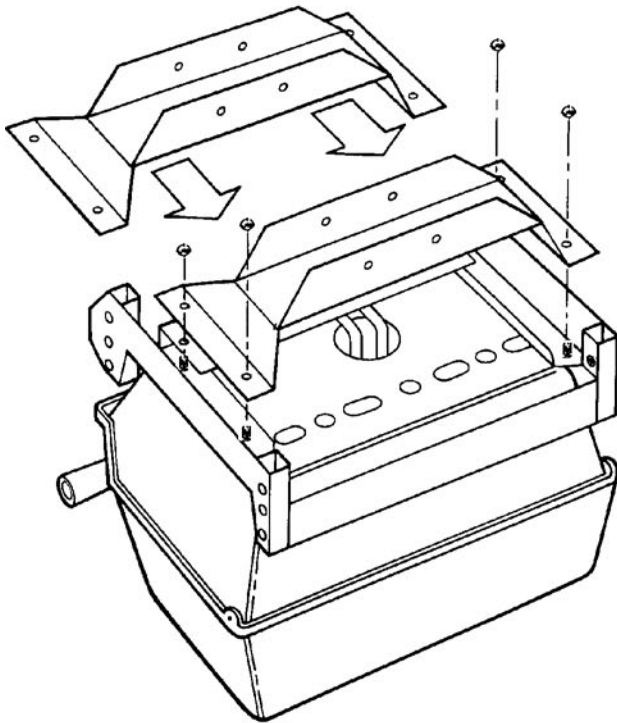
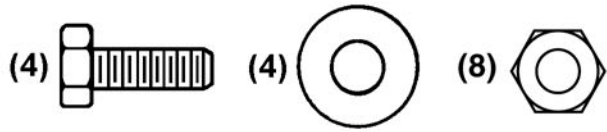


RETAIN FOR FUTURE REFERENCE

VEUILLEZ CONSERVER POUR REFERENCE ULTERIEURE

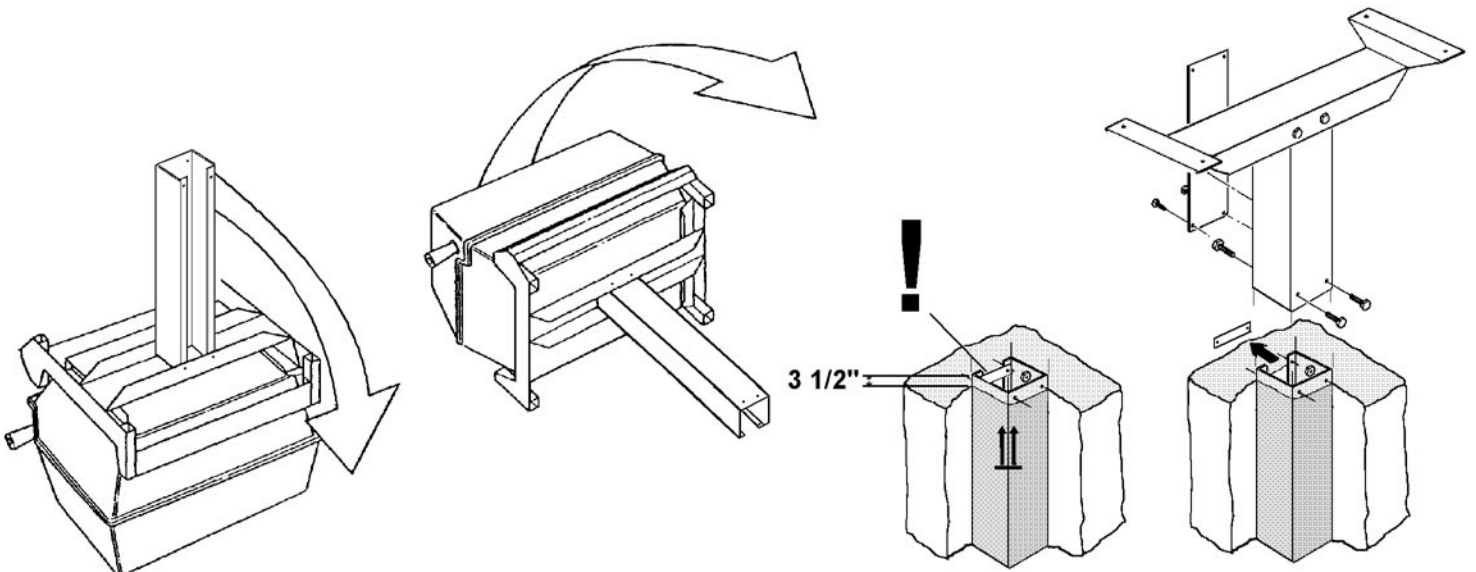
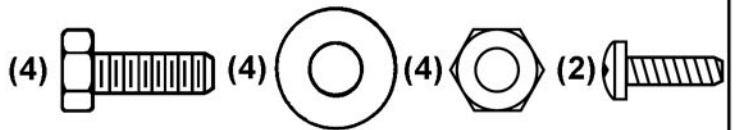
Onward
MANUFACTURING COMPANY
SINCE 1906
585 KUMPF DRIVE LIMITED
WATERLOO, ONTARIO, CANADA
N2V 1K3

1



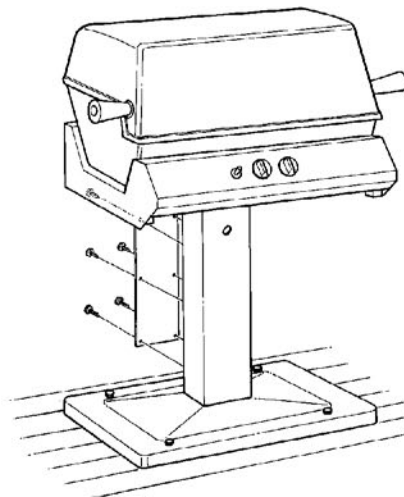
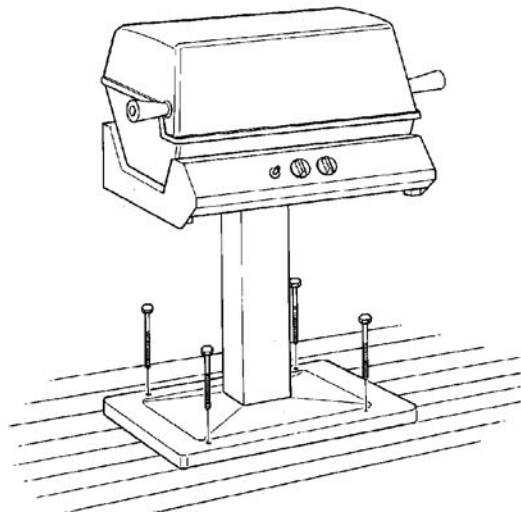
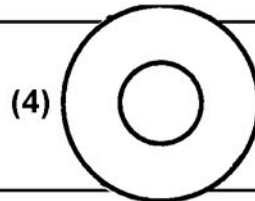
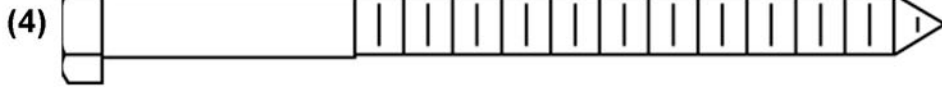
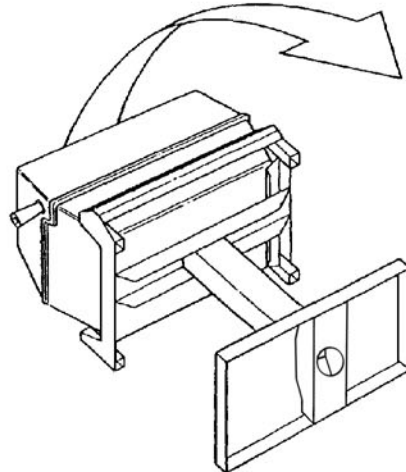
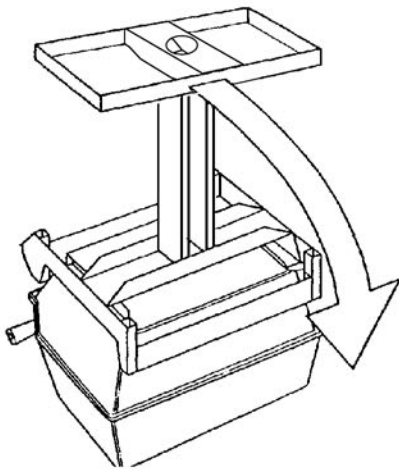
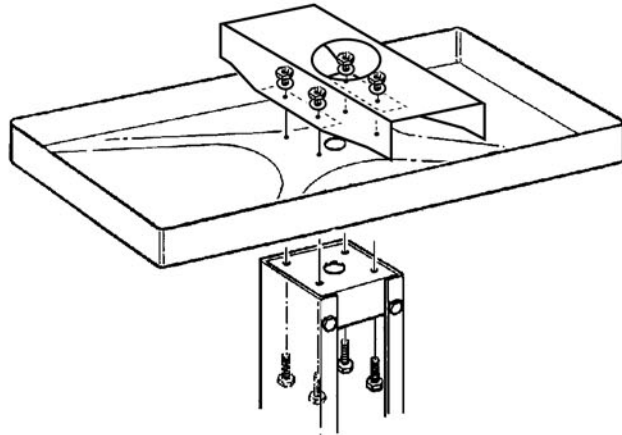
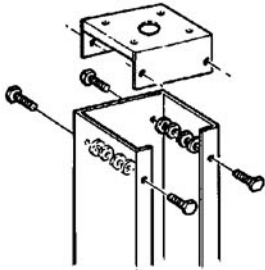
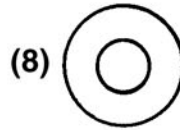
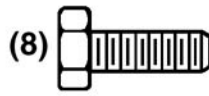
2

11240 IN GROUND POST
(OPTIONAL)



2

11300 DECK MOUNT
(OPTIONAL)

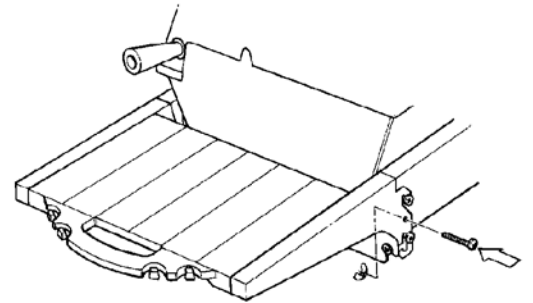
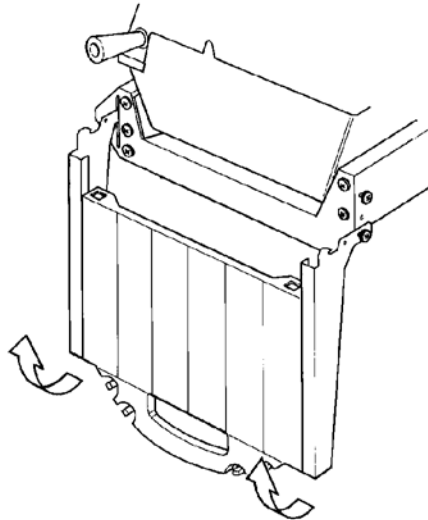
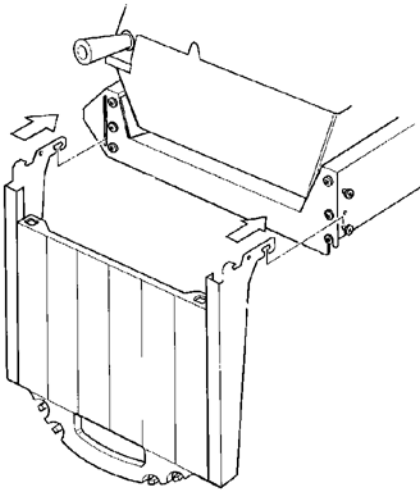
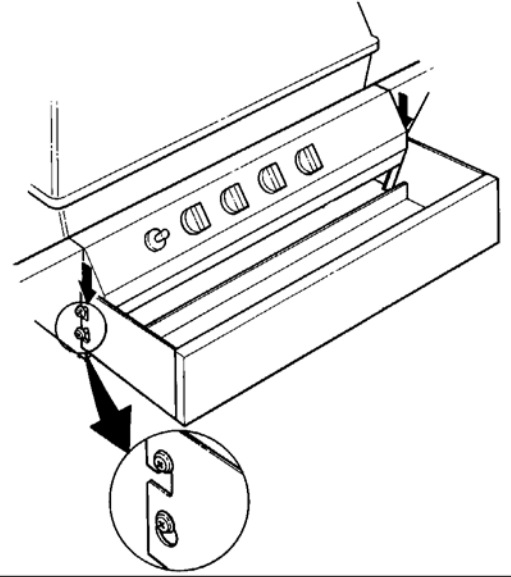
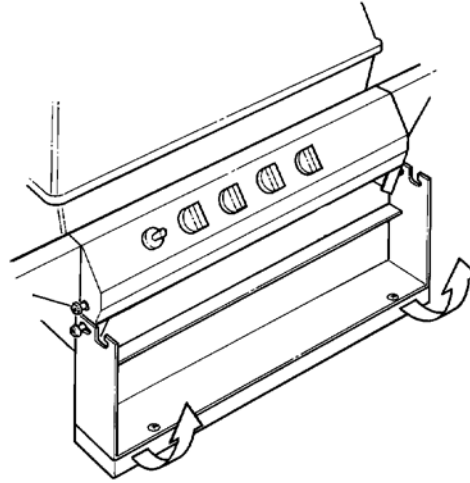
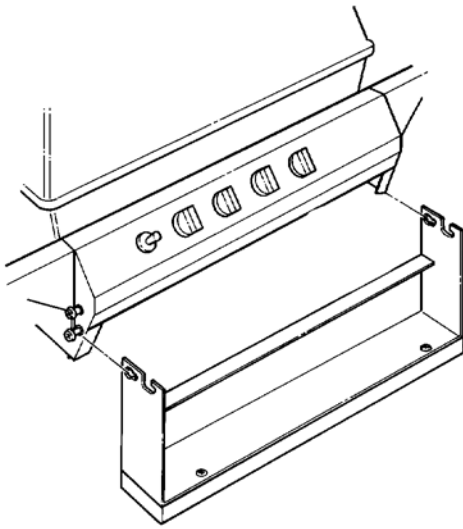


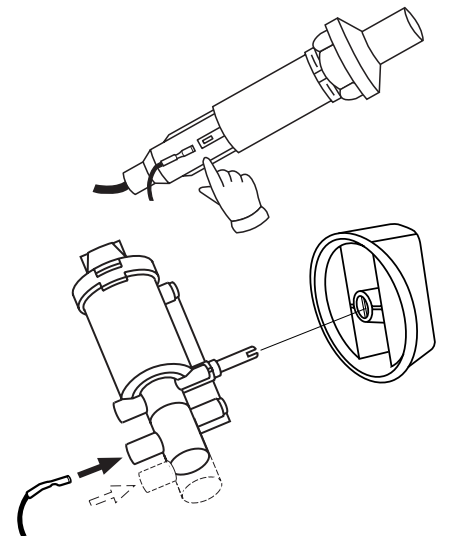
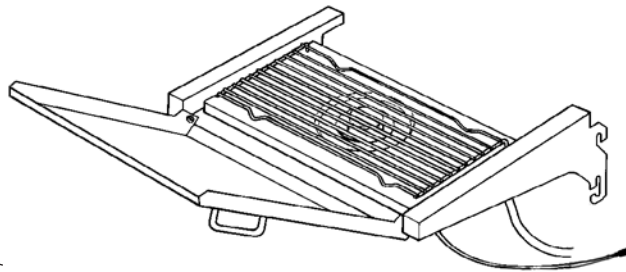
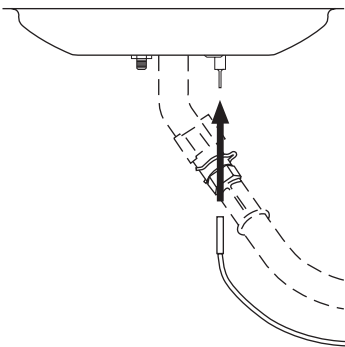
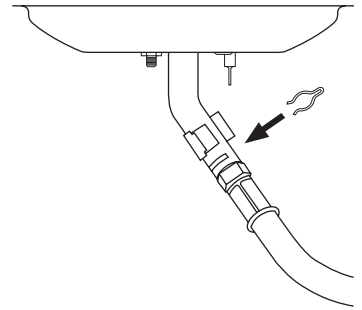
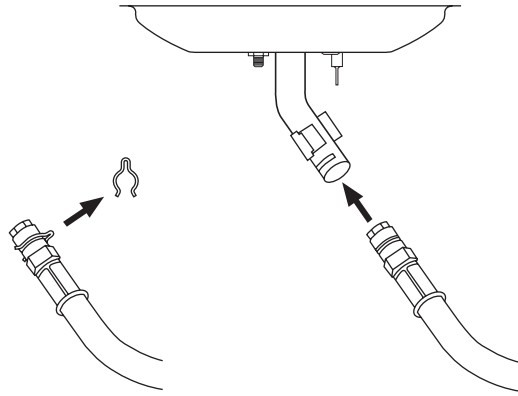
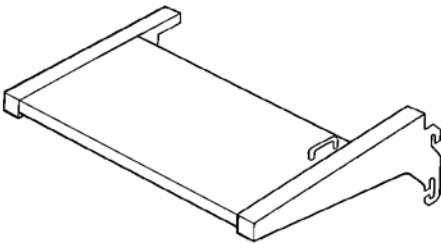
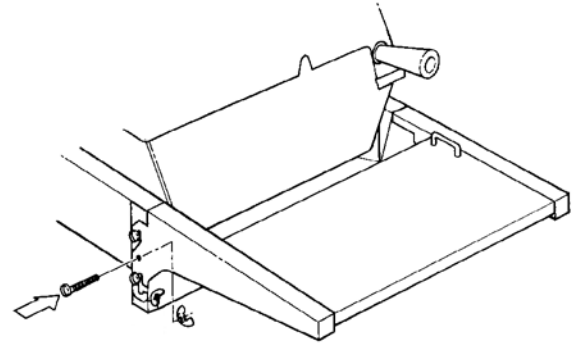
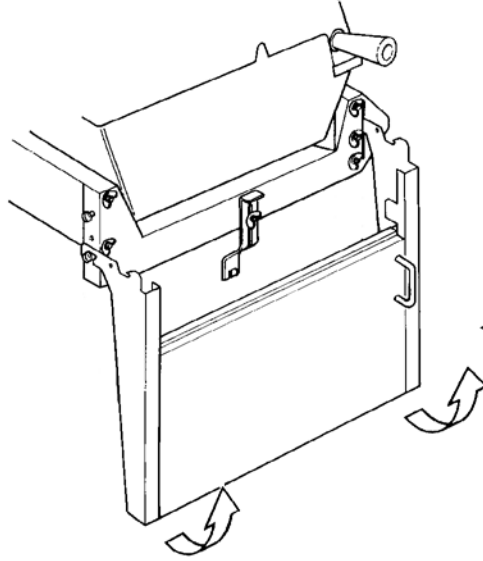
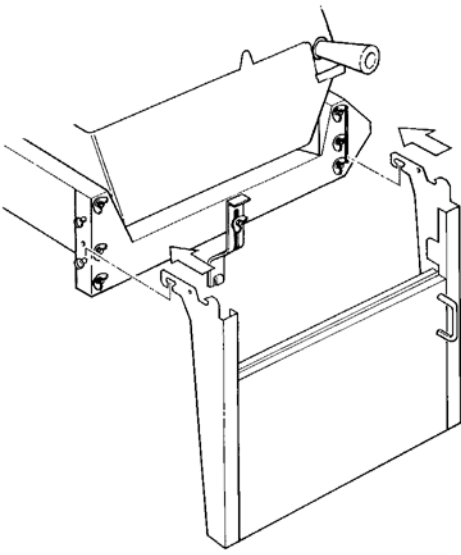
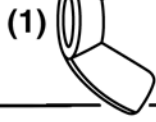
3

(1)



(1)





4

