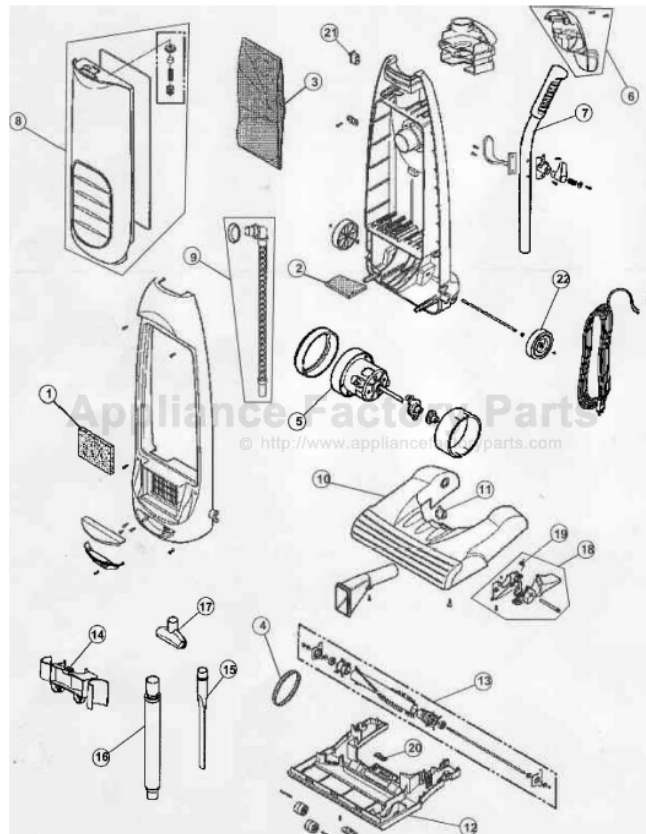


This Owner's Manual is provided and hosted by [Appliance Factory Parts](http://www.appliancefactoryparts.com).



Regina HDU600 Owner's Manual

[Shop genuine replacement parts for Regina HDU600](#)



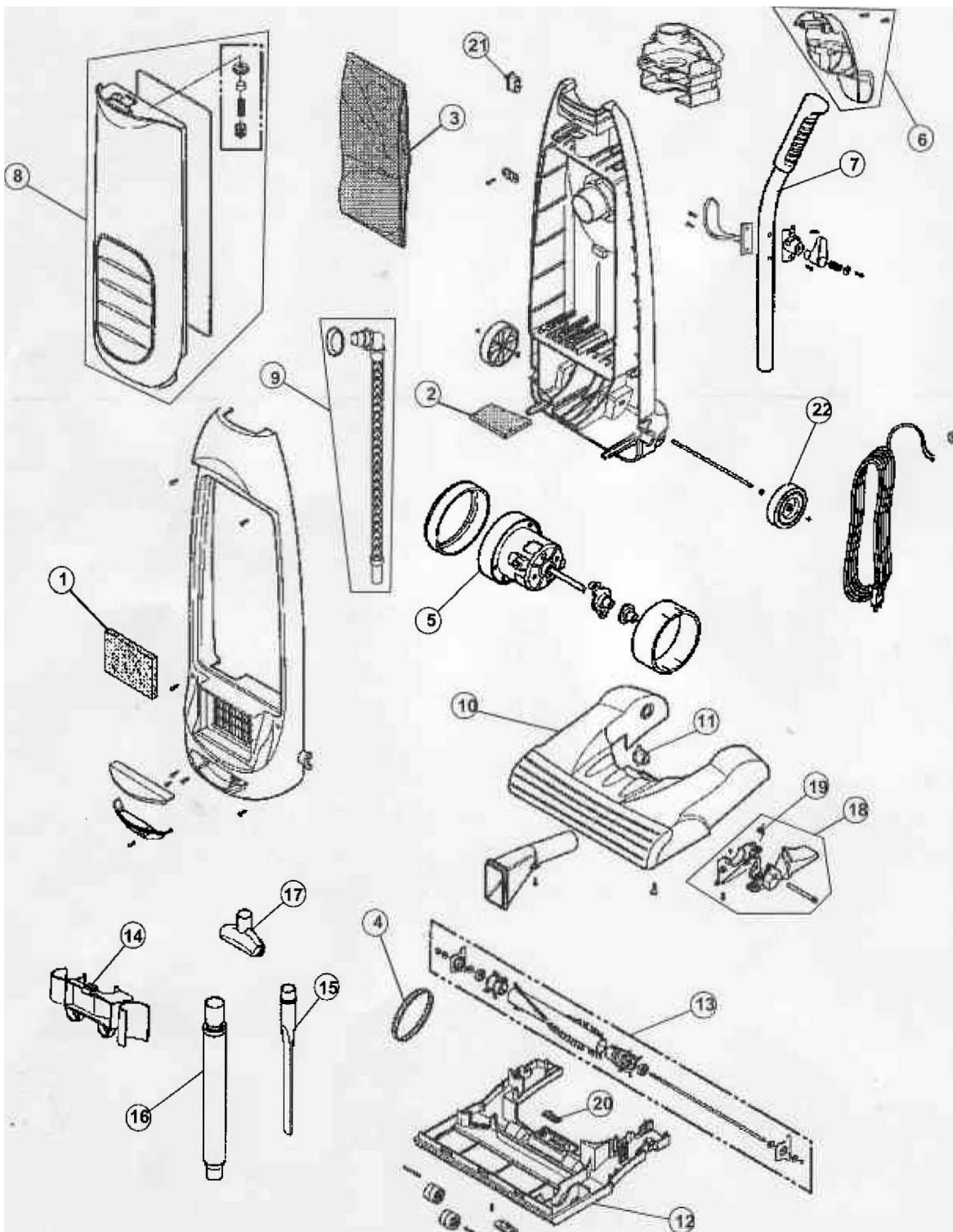
[Find Your Regina Vacuum Cleaner Parts - Select From 111 Models](#)

----- Manual continues below -----

ASSEMBLY SCHEMATIC

MODEL NO.

HDU600



PART LISTING / PRICE LIST

item	Part Number	Models To Fit	Part Description
1	1-231F13-000	HDU600	EXHAUST FILTER
	2-231F13-001	HDU600	EXHAUST FILTER - 2 PACK
2	1-231LG1-000	HDU600	BAG CHAMBER FILTER
3	1-423002-000	HDU600	TYPE T BAG
	3-423002-001	HDU600	TYPE T BAG - 7 PACK
4	4400FI3348	HDU600	STYLE 16 BELT
5	4681FI2460	HDU600	MOTOR ASSEMBLY
6	3550FI1556	HDIJ600	CARRYING HANDLE w/SCREWS
7	5201FI2449	HDU600	HANDLE ASSEMBLY
8	3550FI6000	HDU600	FRONT PANEL WITH GASKET
9	5215F11338	HDU600	FLEXIBLE HOSE ASSEMBLY
10	3550FI1679	HDU600	NOZZLE COVER
11	4930FI4671	HDU800	FIXING HOLDER
12	330QFI1457	HDU600	NOZZLE BASE
13	5973FI1003	HDU600	BRUSH ROLL ASSEMBLY
14	3091FI1001	HDU600	TOOL HOLDER
15	5058FI2213	HDU600	CREVICE TOOL
16	5063FI1445	HDU600	WAND ASSEMBLY
17	5203FI3739	HDU800	DUSTING BRUSH
18	3059FI3003	HDU6Q0	HANDLE RELEASE PEDAL ASSEMBLY
19	4970FI4704	HDU600	HANDLE RELEASE PEDAL SPRING
20	4970F14699	HDU600	LEVER SPRING
21	6601FI3487	HDU600	SWITCH ASSEMBLY
22	4660FI3740	HDU600	LARGE WHEEL