

PERFORMANCE SERIES

52"



PSQ52RBI

PSQ52RC



25,000 BTU INFRARED ZONE BURNER

25,000 BTU "W" SHAPED SS BURNER

SS SMOKER BOX

30,000 BTU DOUBLE SIDE BURNER

MODELS AVAILABLE:

Built In Models:

- PSQ52RBI (52" built in grill + 2 rotisserie burners + 3 lights + 3 SS W-burners + 1 Infrared-Zone Burner)

Cart Models:

- PSQ52RC (52" grill on cart + 1 rotisserie burner + 3 lights + 3 SS W-burners + 1 Infrared-Zone Burner)

FORM:

- Finest 304 Stainless Steel
- All Seamless Construction
- Chrome Plated Knobs, End Caps, Towel Rack

FEATURES:

- 25,000 BTU "W" Shaped SS Burners
- 25,000 BTU Infrared Zone Burner
- 15,000 BTU Flush Mounted Rotisserie Burner
- 30,000 BTU Total Sealed Double Side Burner
- 20 Watt Built in Halogen Lights
- Rapid Fire Electronic Ignition System
- SS Wave Shaped Radiant System Reduces Flare-Ups
- SS "Grease Channeling Design" Grates
- 50 LB Capacity Rotisserie Motor
- Double-lined Hood Minimizes Discoloration
- Drip Pan Tray on Rollers w/ Internal Spill Trays
- Built Ins and Cart Models Available
- Available in LP or Natural Gas

MADE IN USA



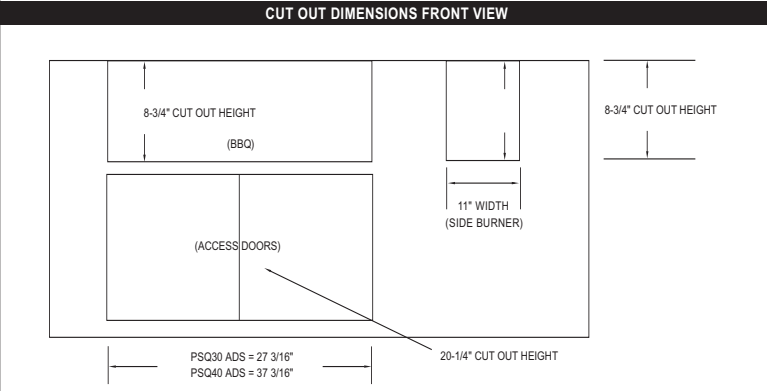
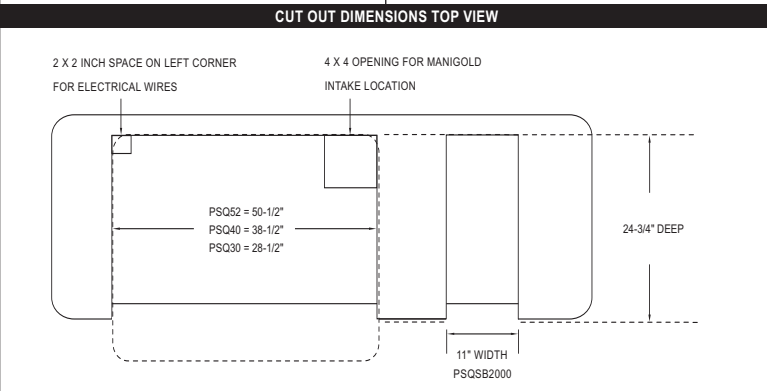
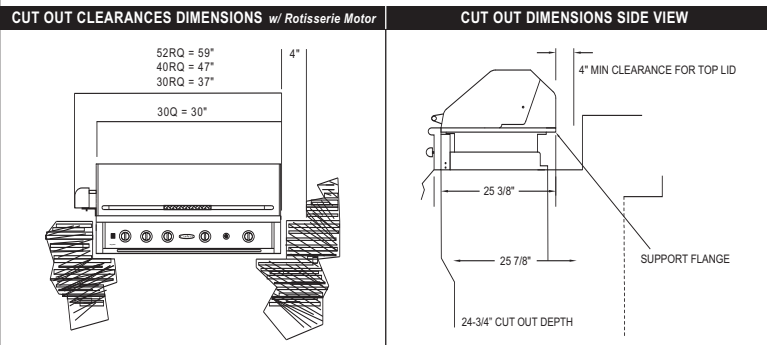
THE POWER OF PERFORMANCE

52" W/ ALL GRILL

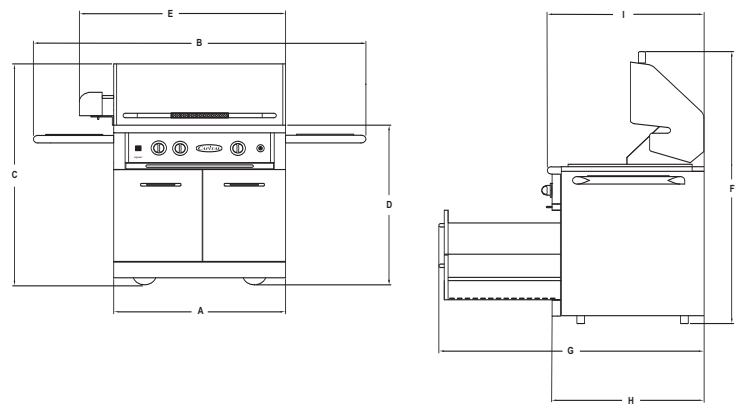
MODEL#	BUILT IN	CART MODEL
	PSQ52RBI	PSQ52RC
GRILLING AREA (Sq. In)	896	896
GRILL BURNERS	3 @ 25,000 BTUS EA	3 @ 25,000 BTUS EA
INFRARED SEAR-ZONE	1 @ 25,000 BTUS	1 @ 25,000 BTUS
INFRARED ROTISSERIE BURNER	2 @ 15,000 BTUS	2 @ 15,000 BTUS
SS V-CHANNEL GRATES W/ GREASE REDUCTION SYSTEM	STANDARD	STANDARD
INTEGRATED NITE-LIGHTS	3	3
INTEGRATED DOUBLE SIDE BURNER	N/A	N/A
DOUBLE LINED/ REINFORCED HOOD	YES	YES
SEAMLESS CONSTRUCTION	YES	YES
DRIP PAN ON ROLLERS	YES	YES
CART WITH STORAGE DRAWERS	N/A	YES
TOTAL BTUS	130,000	130,000

SHIPPING WEIGHT	PSQ52RBI	PSQ52RC
	360 LBS	520 LBS
POWER NEEDS	120V 60HZ	120V 60HZ
	TRANSFORMER BOX INCLUDED	TRANSFORMER BOX INCLUDED
GAS NEEDS		
NATURAL GAS	1/2" NPT male w/ 3/8" Flare adaptor Operational Pressure 4.0" W.C.	
LP (PROPANE)	1/2" NPT male w/ 3/8" Flare adaptor LP Hose with Quick Disconnect Operational Pressure 11.0" W.C.	
ORDERING INSTRUCTIONS	WARRANTY	
Please specify LP or Natural Gas when ordering	<ul style="list-style-type: none"> A LIFETIME WARRANTY covers all stainless steel components against manufacturing defects. This excludes discoloration or surface corrosion resulting from improper use and/or failure to follow proper maintenance and care instructions found in the use and care guide. 5 YEAR WARRANTY covers infrared grill burner and rotisserie burner. 2 YEAR WARRANTY covers the radiant plates. 1 YEAR FULL WARRANTY (parts and Labor) covers the entire product. <p>* Please see the use and care guide for comprehensive warranty information.</p>	
AVAILABLE ACCESSORIES		
<ul style="list-style-type: none"> SS Griddle Plate Birch Wood Chopping Boards SS Smoker Box Vinyl Covers Access Doors SS Utensil Hooks Built In Double Side Burner 24" Built In Wok Insulated Jackets for combustible Island Enclosures Conversion Kits LP and NG 		
GRILL PLACEMENT		
<ul style="list-style-type: none"> DO NOT build grilling island under combustible materials. DO NOT leave a lit grill unattended. For outdoor use only! Use only in well ventilated areas. 		

STANDARD ISLAND CUT OUT DIMENSIONS



MODEL #	COOKING AREA IN SQ. IN.	A	B	C	D	E	F	G	H	I
PSQ52RC	896	52	88	49	36	59	63	52	28	28.25
PSQ52RCBS	680	52	88	49	36	59	63	52	28	28.25
PSQ40RC	680	40	76	49	36	47	63	52	28	28.25
PSQ40RBI	680	40	76	49	36	47	63	52	28	28.25
PSQ30RC	500	30	66	49	36	37	63	52	28	28.25
PSQ30ZRC	500	30	66	49	36	37	63	52	28	28.25
PSQ30RBI	500	30	66	49	36	37	63	52	28	28.25
PSQ30ZRBI	500	30	66	49	36	37	63	52	28	28.25



THE POWER OF PERFORMANCE

13211 Florence Ave. • Santa Fe Springs • CA • 90670 • USA

Toll free: 866-402-4600 • Main: 562-903-1168 • Fax: 562-903-1167 • Email: customerservice@capital-cooking.com • Website: www.capital-cooking.com

* Due to ongoing product improvements, these specifications are subject to change without notice.



Litho in USA
87066-04