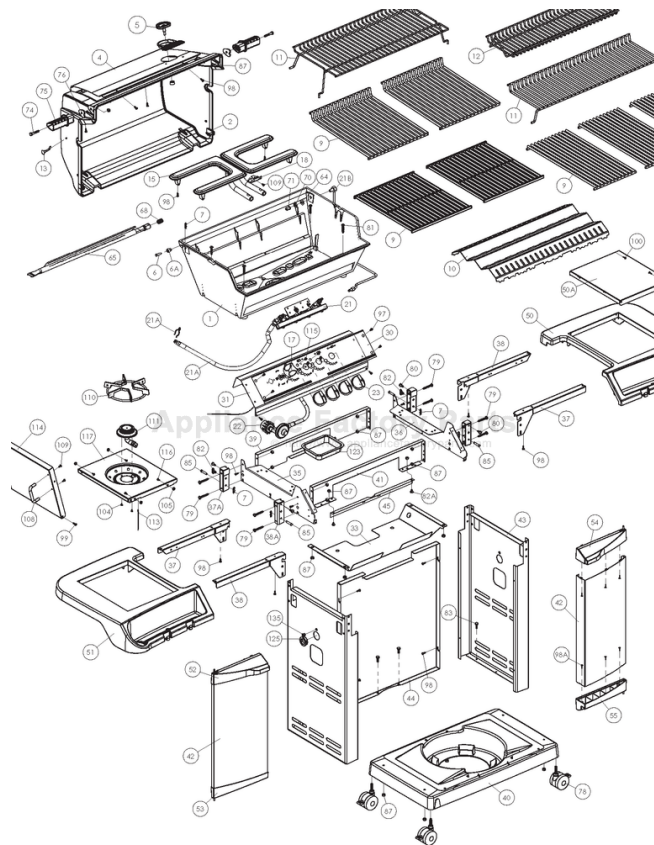


This Owner's Manual is provided and hosted by [Appliance Factory Parts](#).



Broil-Mate 8674-4 Owner's Manual

[Shop genuine replacement parts for Broil-Mate 8674-4](#)



[Find Your Broil-Mate Grill Parts - Select From 682 Models](#)

----- Manual continues below part list -----

Available Replacement Parts for Broil-Mate 8674-4

03200	spark generator; Bmstr, DCS, Ducane
14625	warming rack universal, 15 x 6.5
10696-160	ORIFICE HOOD R/B 0.160MM NG
18627GC	BURNER, DUAL 50,000 BTU
10225-T627	GRID SWING BASKET IMPERIAL BLACK
10225-T528	GRID FLAT WARM RACK T50 PORC +
18488	FLAV-R-WAVE - 50,000 BTU STAINLESS
S15500	IGNITOR ELECTRODE ASSY H B H BURNER
18013	LARGE PROBE HEAT INDICATOR
10240-15	HINGE PIN SIDE SHELF DROP DOWN
S21237	HINGE PIN SPACER
10892-15	CASTER 2 1/2 INCH WHEEL KNURLED
S21124	SCREW PHCP #8 X 12 +
PB20-60A	S/B LID HANDLE WAGON ENCLOSURE+ W/SCREWS
10390-E10	BURNER SIDE 10BTU W/ELEC #8 +
10342-T14	WIRE ELECTRODE S/B FLAT/ROUND+
10239-7	HANDLE GASKET TRIANGULAR 1/8
Y-12220	S/B BUSHING SB 1.375 16 HEY
50416	SMALL DRIP PAN - 10 PACK
S14019	NAMEPLATE BROILMATE LG FLSH +
10184-E461	SHELF SUPPORT LHS BLK
S11426	BOTTOM CASTING R/B + 2500/2700/400/700
S11250	CASTING TOP +
02342	control knob; universal
10342-244	IGNITOR ELECTRONIC +
11225GC	CI COOKING GRID SET OF 2
10711-E561	SHELF RHS EZ BILT W/O BRACKET
10194-E501	CONTROL COVER W/HS LARGE BLACK
10225-T09	GRID PORCELAIN ROUND S/B
10184-e78A	END CAP DOOR TOP LHS W/MAGNET

10184-e76	END CAP DOOR BOTTOM LEFT A
10184-e79a	END CAP DOOR TOP RHS W/MAGNET
10184-E401	SUPPORT CASTING L BLK
10110-94	TUBE-REAR BRNR FIT ASSY
10696-109	ORIFICE HOOD R/B 0.109MM LP
10442-T63	CONTROL ASSEMBLY 50M/10M/15M 4V NG
10184-R80	RADIATION SHIELD RAW
10184-E62	SHELF SUPPORT BRACKET LHS +
10184-E63	SHELF SUPPORT BRACKET RHS +
10958-E761	PANEL SIDE BLACK +
10958-E901	PANEL REAR BLACK 21 3/4 INCH NEW 2006
10184-E77	END CAP DOOR BOTTOM RIGHT A
S13005A	BURNER TUBULAR W/IGNITION
10711-E562	SHELF LEFT EZ-BILT W/O BRACKET
10696-127	R/B ORIFICE LP
10696-185	R/B ORIFICE NG 1.85MM
11228	CI COOKING GRIDS SET OF 2
10909-T50	CASTING BOTTOM 52M 2002 +
10473-T50	CASTING TOP 52M
Y-11797	BOLT SWING BASKET #D
10711-E563	SHELF SB EZ-BILT W/O BRACKET
10958-e79lw	DOOR SMALL LHS CABINET ASSY +
10472-k40	KNOB ROTARY IGNITOR #B
10393-e401	SIDE BURNER COVER SIGNET
10194-E545	CONTROL COVER 2V LRG BLK CHRM
S12033	GRID PORCELAIN T50 HEAVY 1 OF 3
CG21SS	Cooking Grid Stainlss st Warm Morning G4
80012	regulator and hose READ ADD. INFO
10342-245	IGNITOR ELECTRONIC DUAL +
S12206	WARMING RACK 2500 1998 +
10184-E991	DOOR CATCH BRACKET
11151	SS COOKING GRID - SOVEREIGN
10111-K45	HOSE 3/8 INCH ASSEMBLY NG 10 FOOT +

[Y-11990](#)

NUT HEX BRASS 3/8 27 RB LINE

broil-mate™

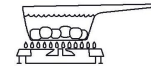
REDDI-BILT BARBECUES

ASSEMBLY MANUAL & PARTS LIST

MANUEL DE MONTAGE & LISTE DE PIÈCES

broil-mate™

4674-4
4674-7



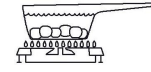
broil-mate™

4684-4
4684-7



broil-mate™

4685-4
4685-7



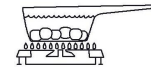
broil-mate™

4687-4
4687-7



broil-mate™

8674-4
8674-7



broil-mate™

8684-4
8684-7



RETAIN FOR FUTURE REFERENCE

VEUILLEZ CONSERVER POUR REFERENCE ULTERIEURE

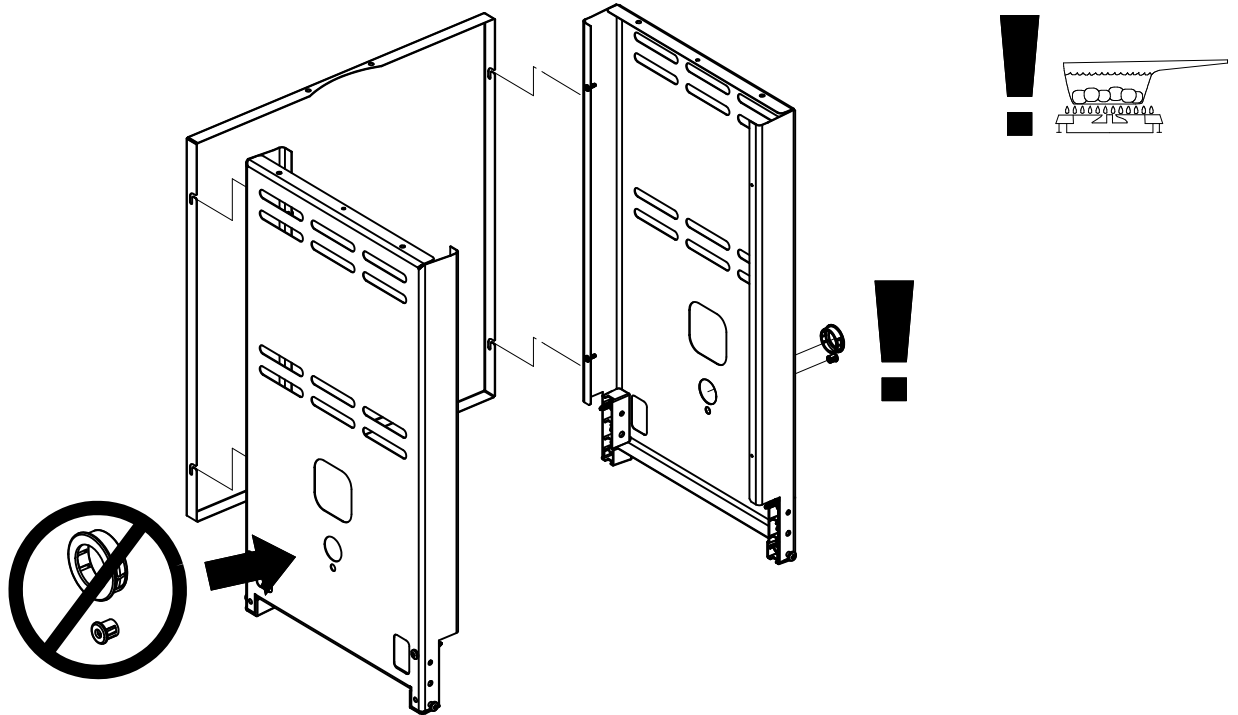
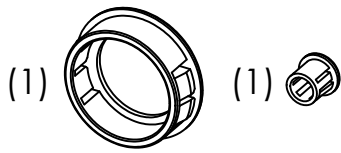
1-800-265-2150

info@omcbbq.com

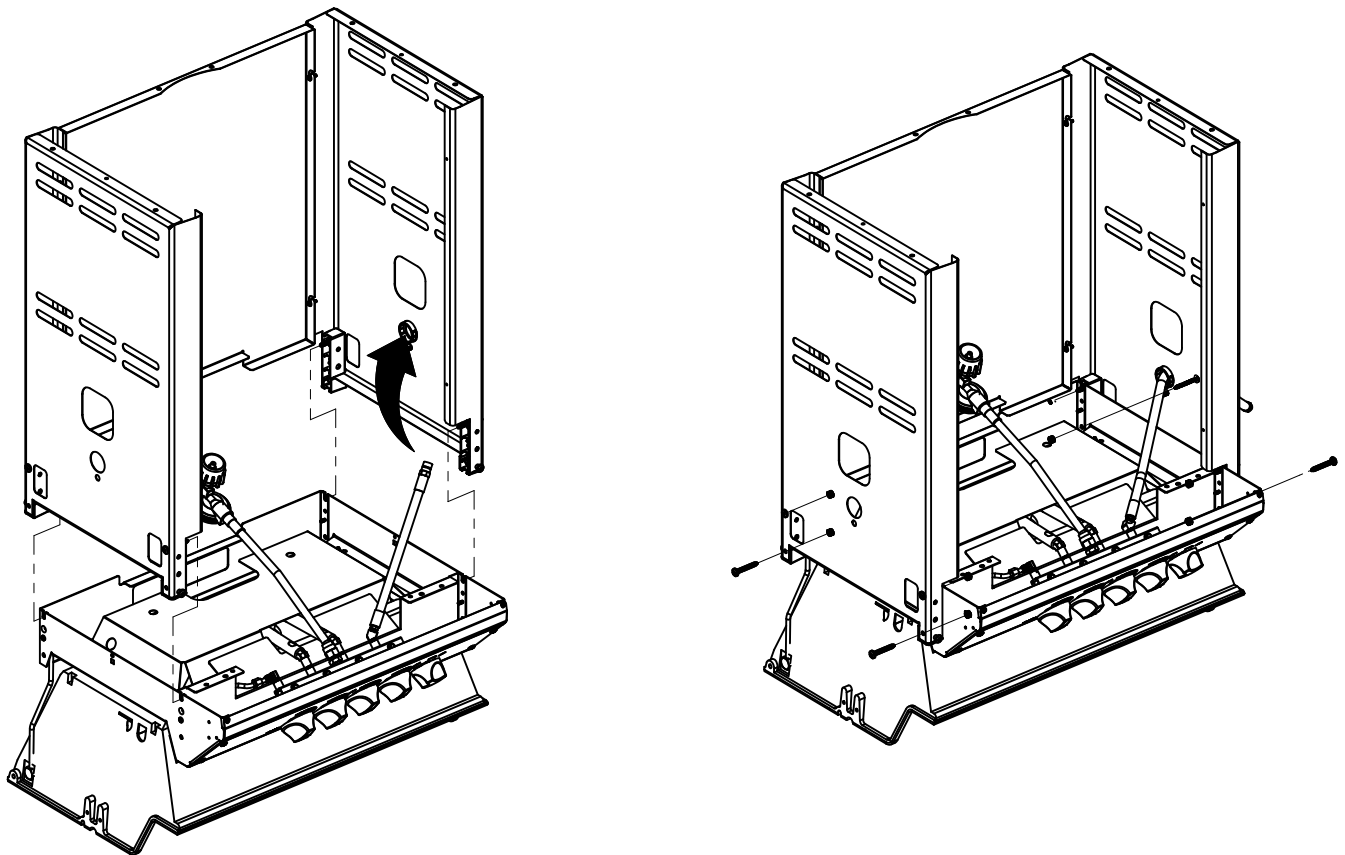
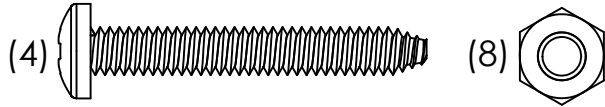
Onward
MANUFACTURING COMPANY
SINCE 1906
585 KUMPF DRIVE
WATERLOO, ONTARIO, CANADA
N2V 1K3

S18678 01/05

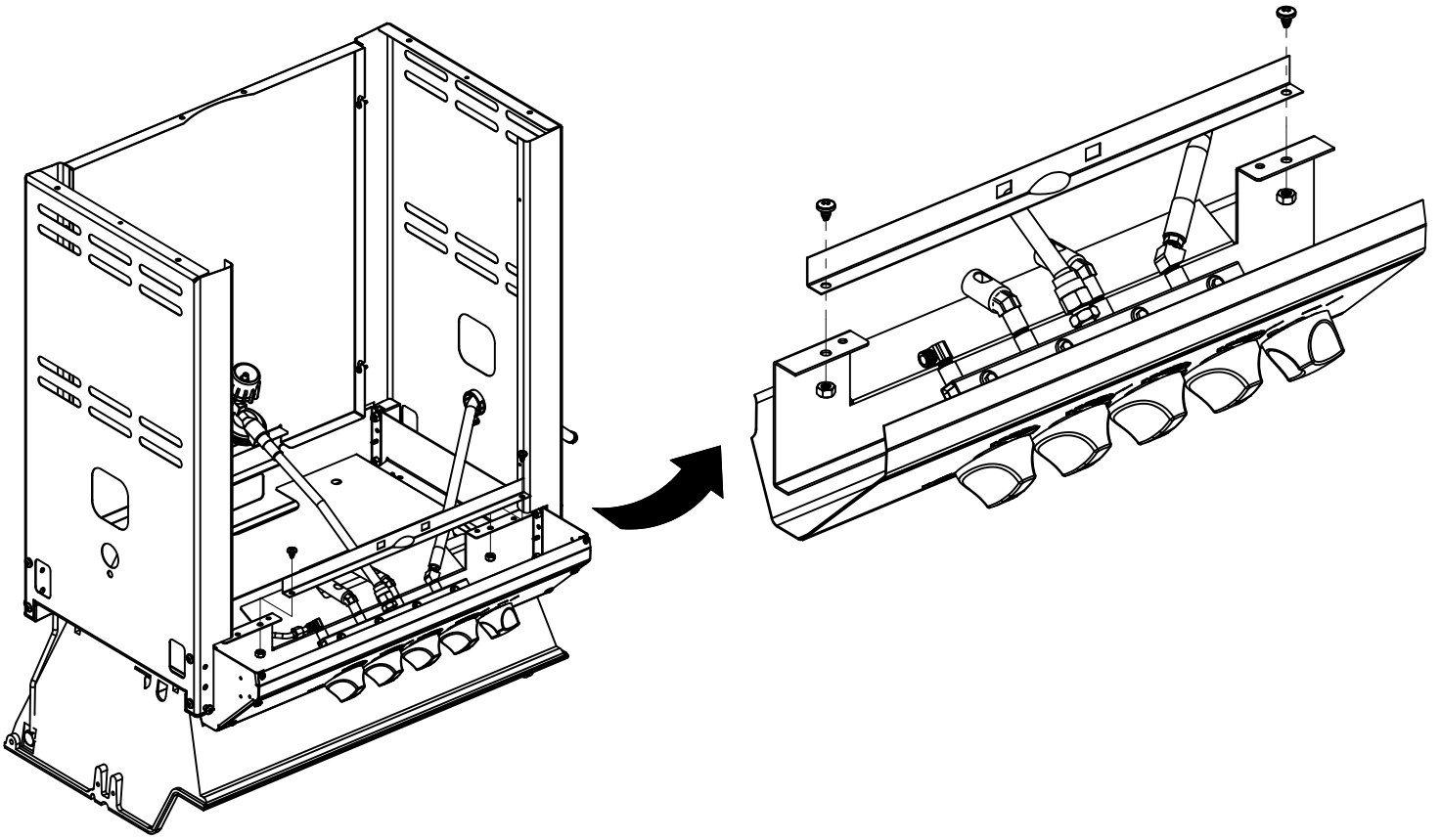
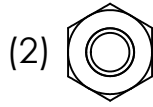
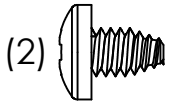
1



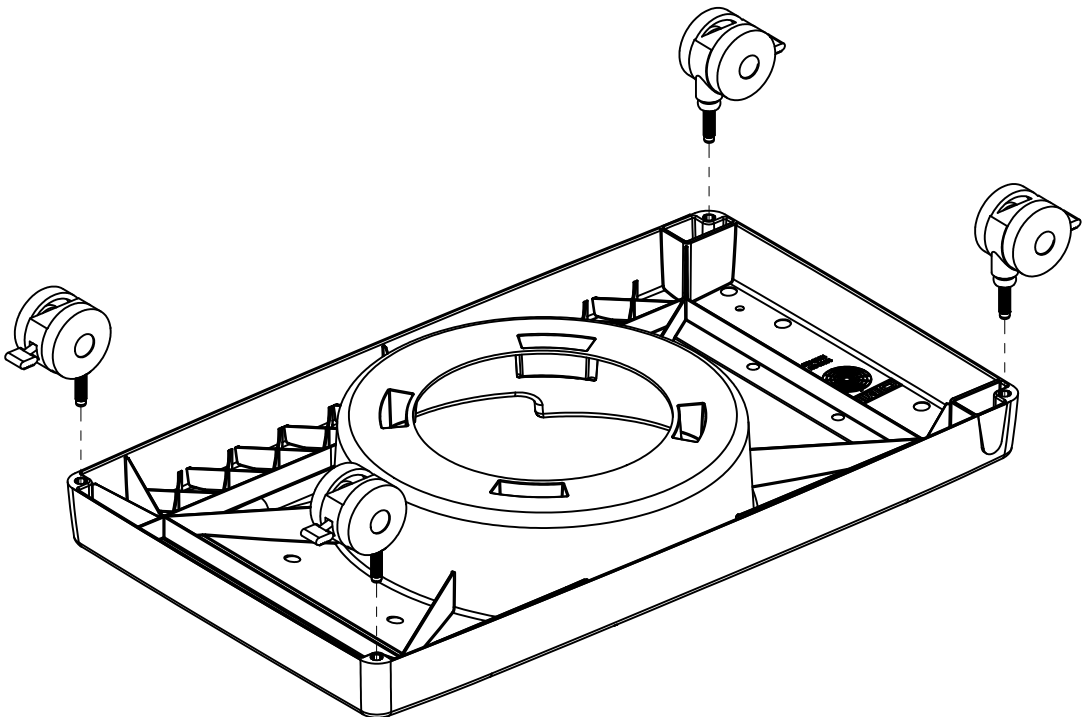
2



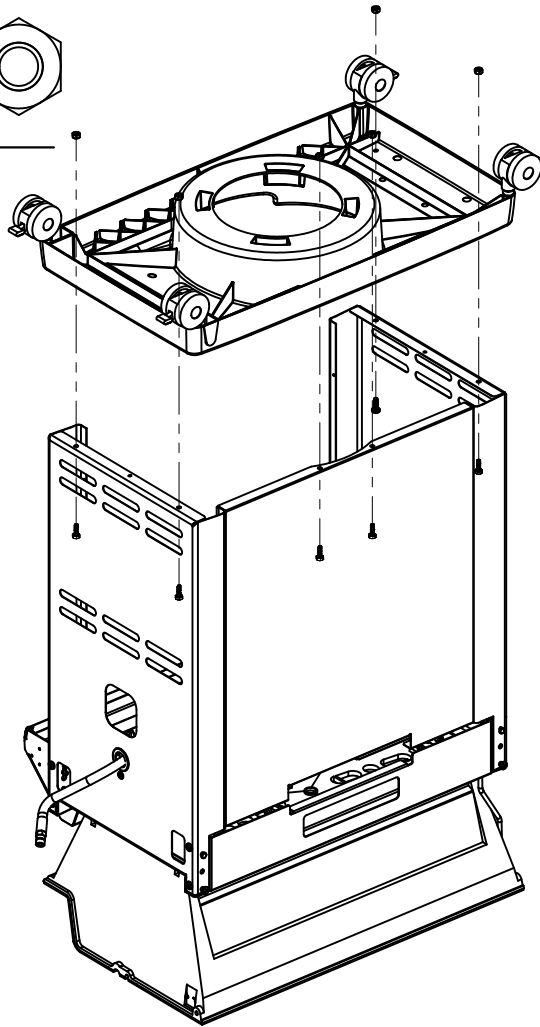
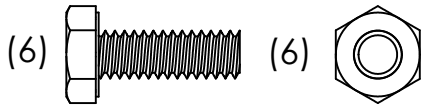
3



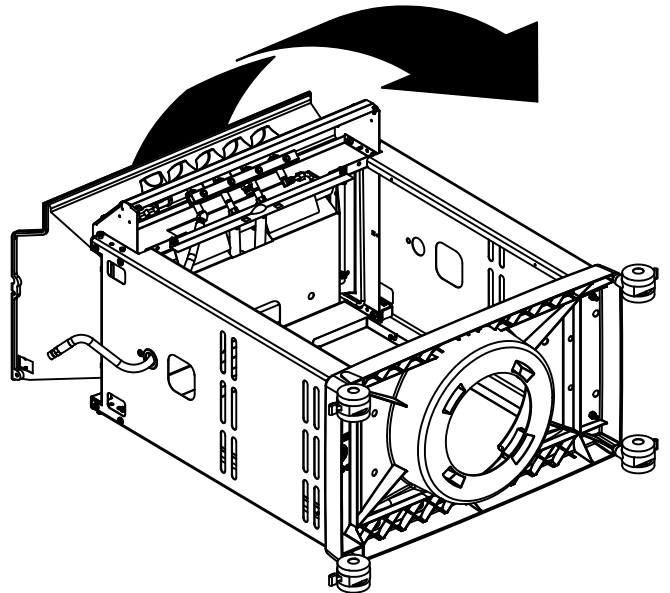
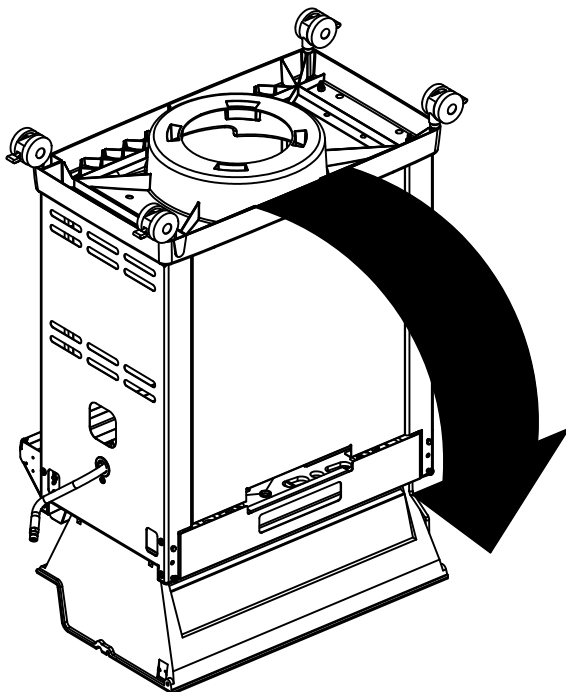
4



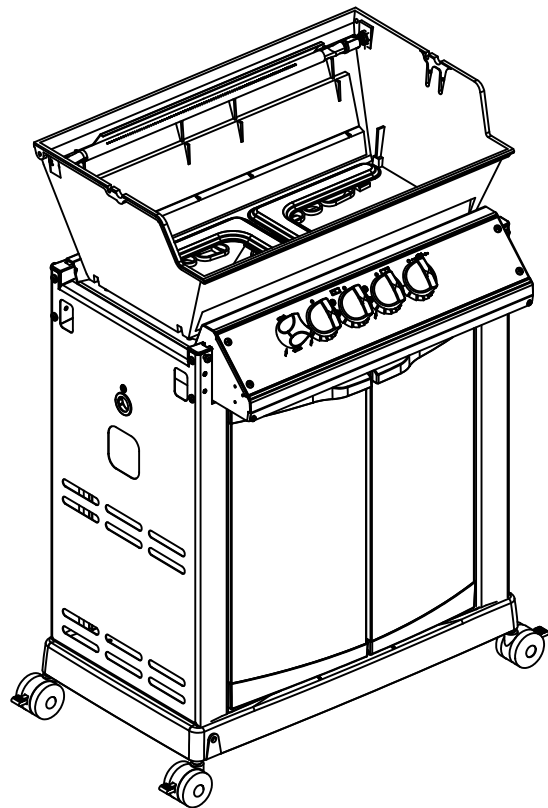
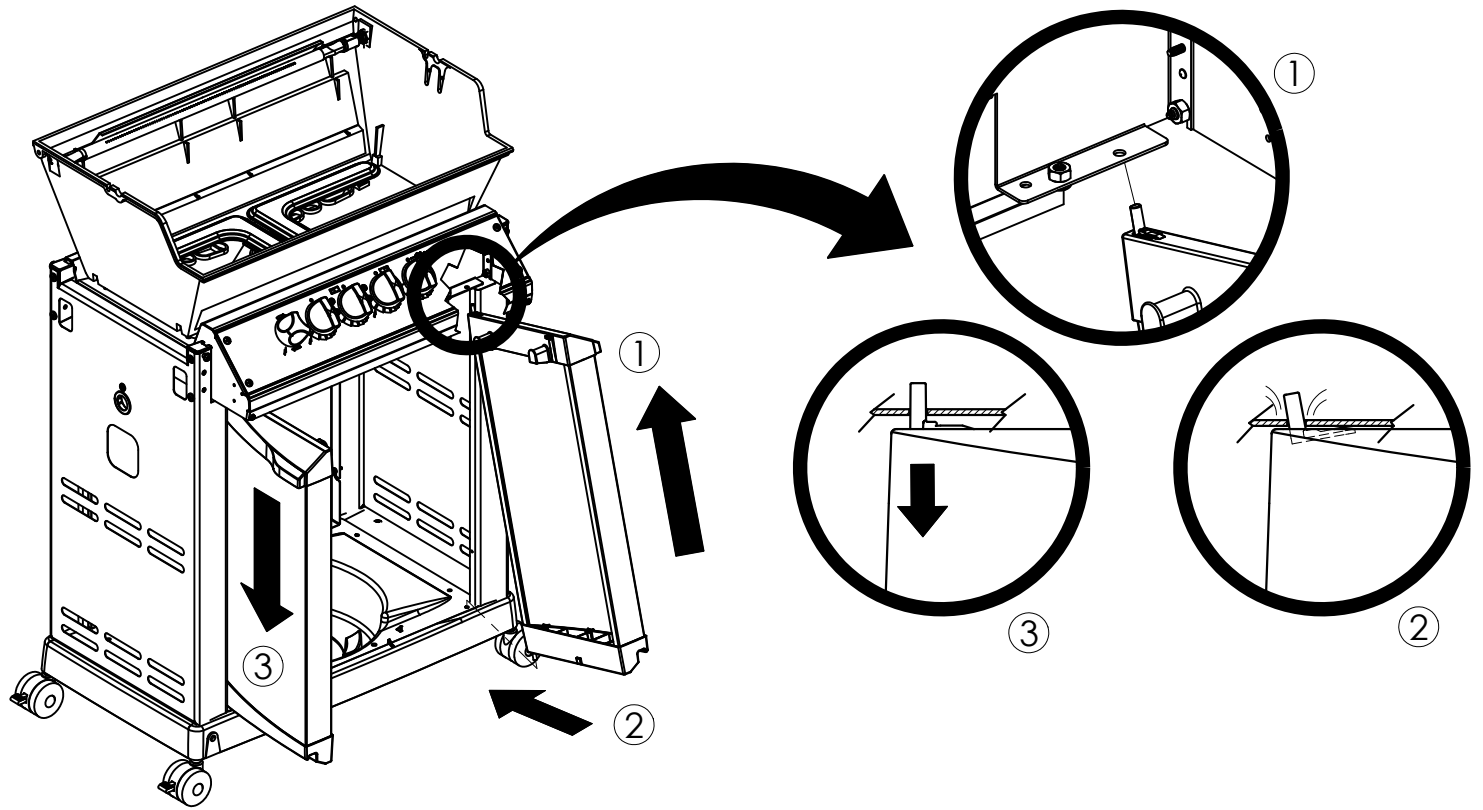
5



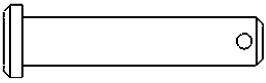
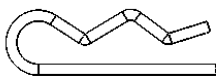
6

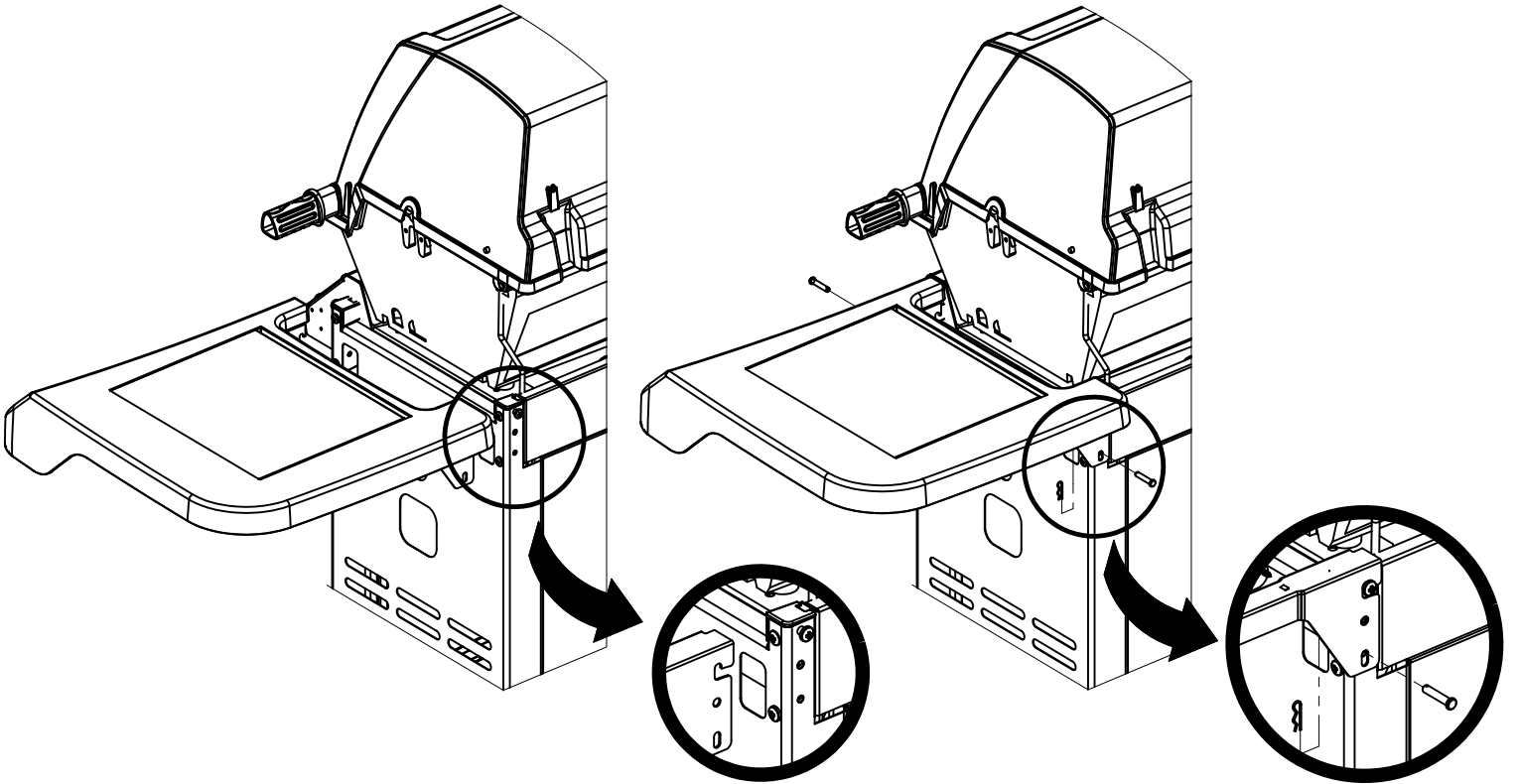


7

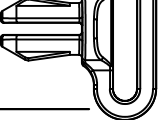


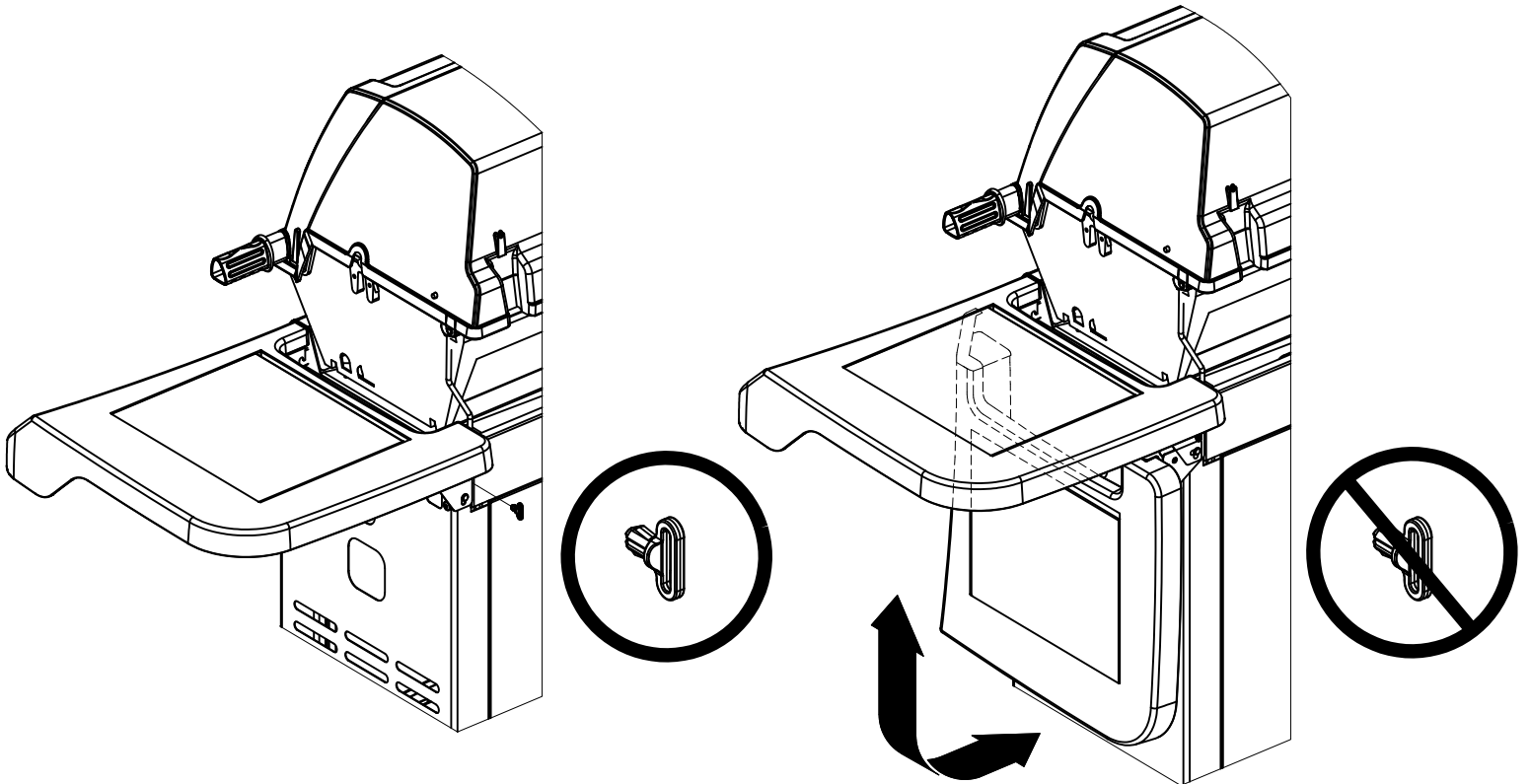
8

(2)  (2) 



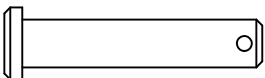
9

(1) 

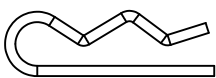


10

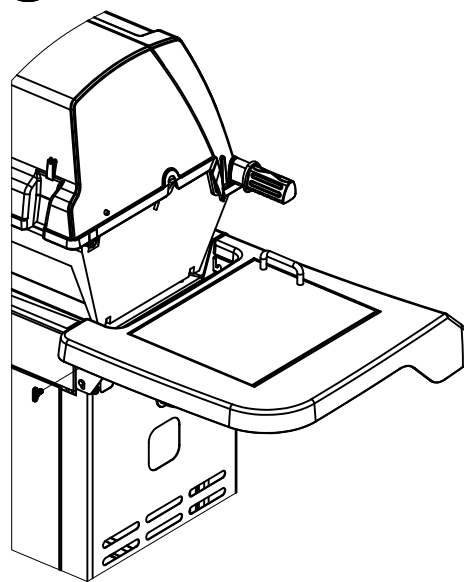
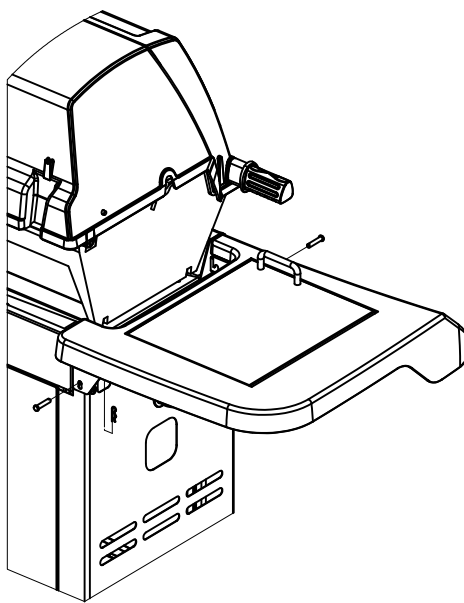
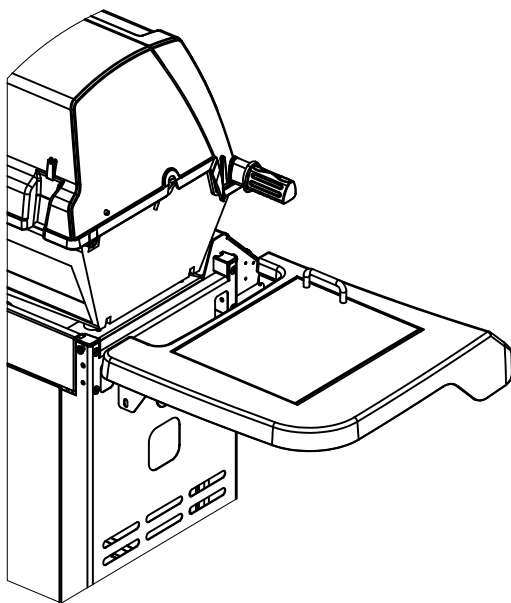
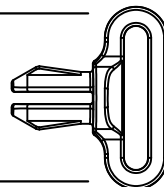
(2)



(2)

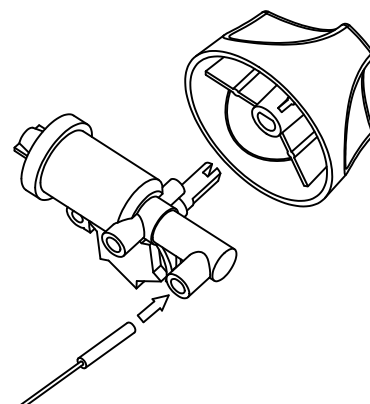
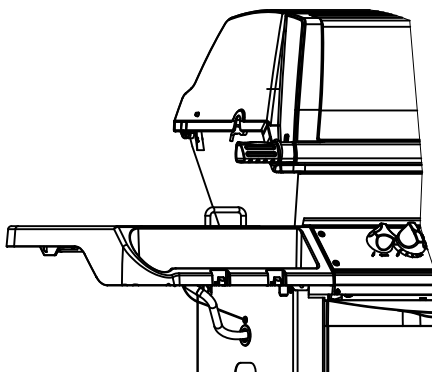
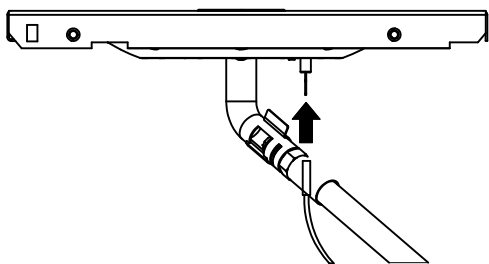
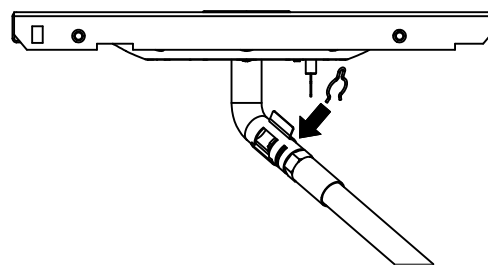
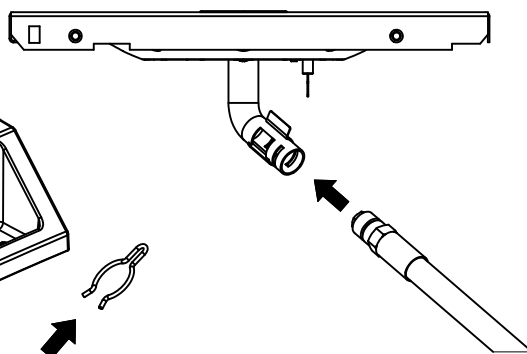
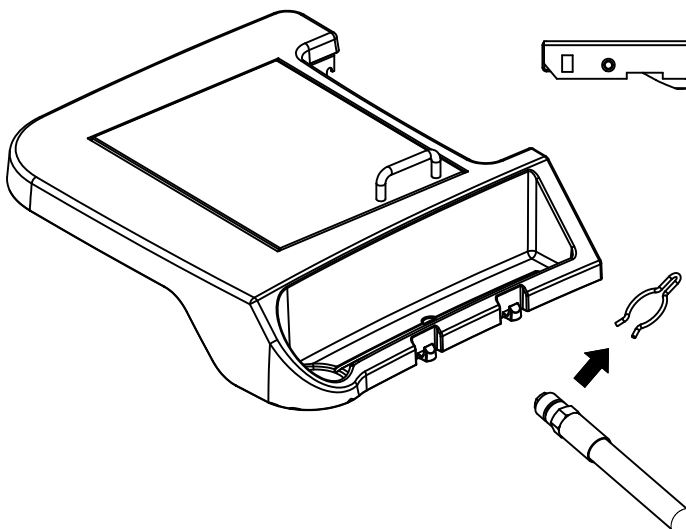
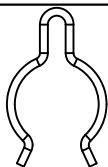


(1)

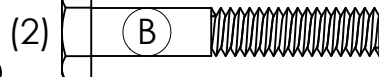
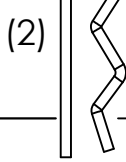
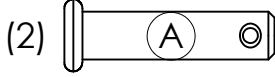


11

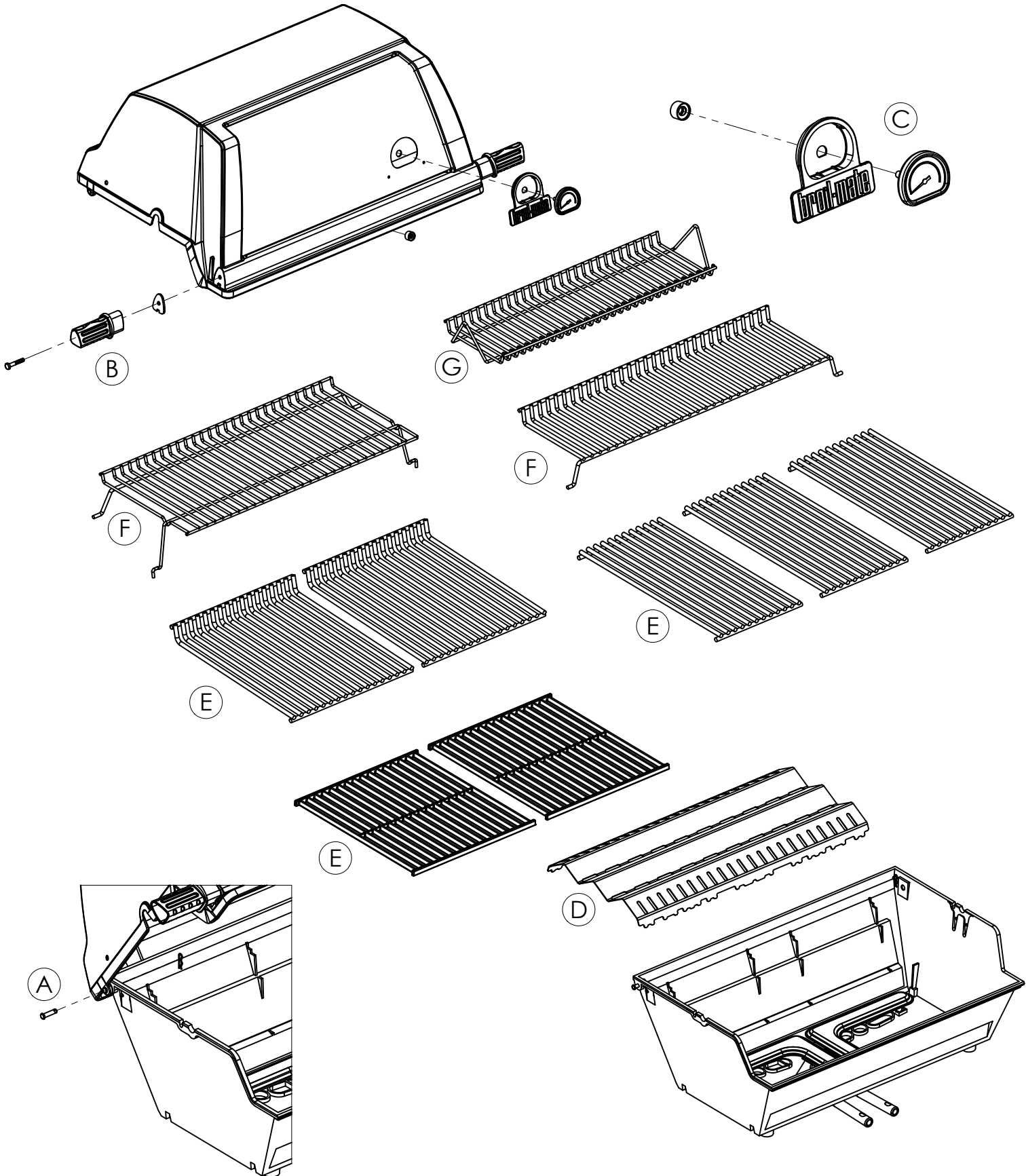
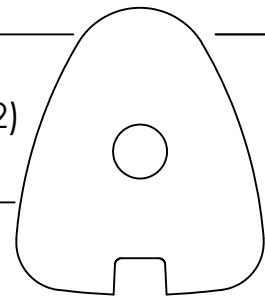
(1)



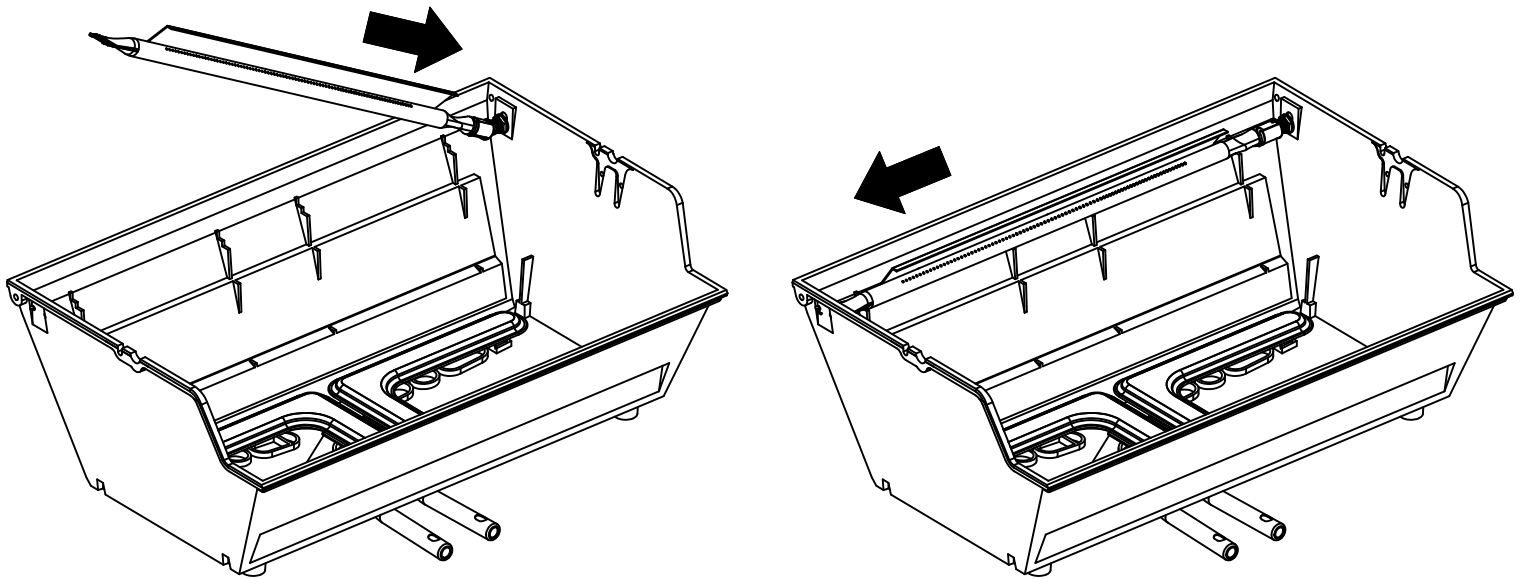
12



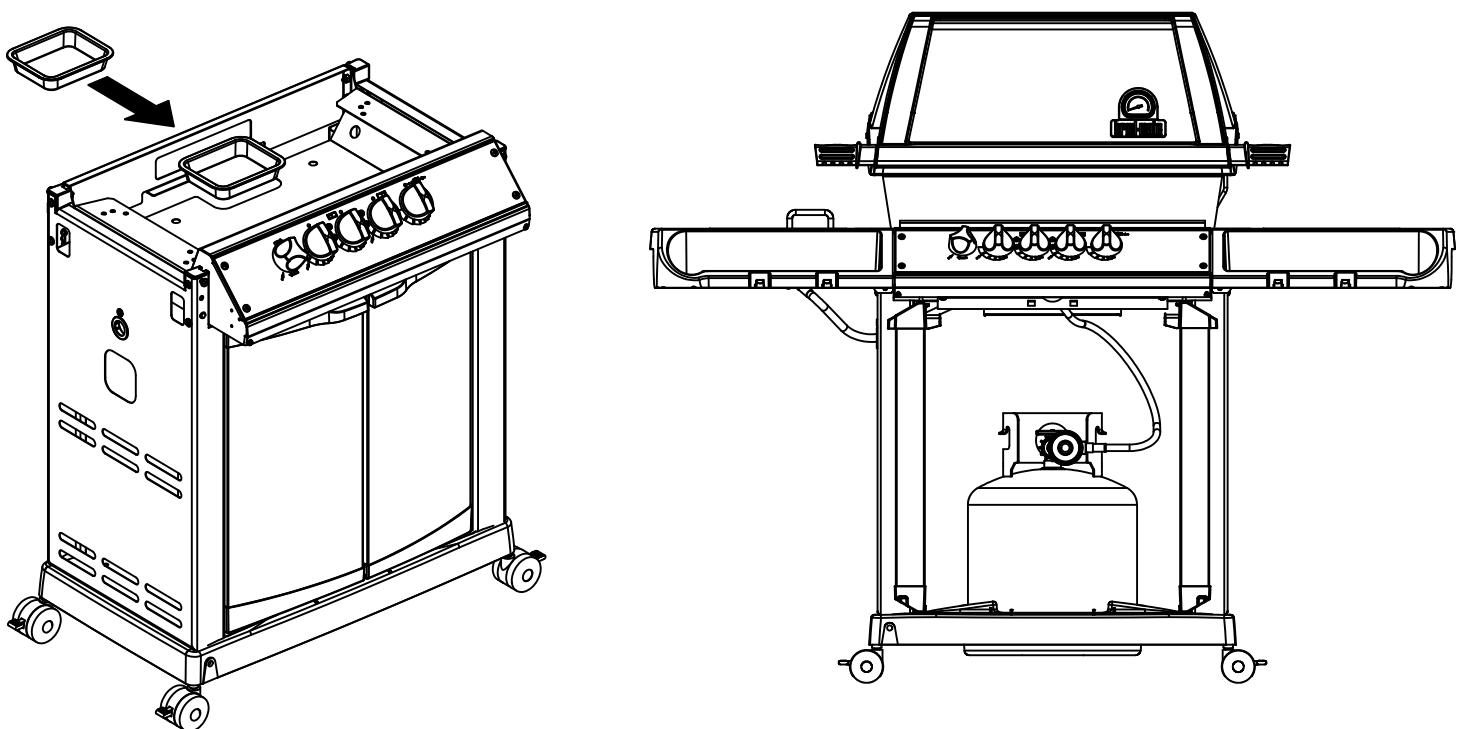
(2)



13



14



PARTS LIST / LISTE DES PIÈCES

KEY #	ITEM #	DESCRIPTION	DESCRIPTION	4674-4	4684-4	4685-4	4687-4	8674-4	8684-4
				4674-7	4684-7	4685-7	4687-7	8674-7	8684-7
1	S11426	CASTING BOTTOM	FOND DU FOYER	1	1	1	1	.	.
	10909-T50	CASTING BOTTOM	FOND DU FOYER	1	1
2	S11250	CASTING TOP	COUVERCLE DU GRIL	1	1	1	1	.	.
	10473-T50	CASTING TOP	COUVERCLE DU GRIL	1	1
3	S14019	NAMEPLATE	PLAQUE D'IDENTIFICATION	1	1	1	1	1	1
4	10958-K69	TOP CASTING INSERT	PANNEAU DE COUVERCLE	1	1	1	1	.	.
	10958-K70	TOP CASTING INSERT	PANNEAU DE COUVERCLE	1	1
5	10571-6	HEAT INDICATOR	INDICATEUR DE CHALEUR	1	1	1	1	1	1
6	S21235	HINGE PIN	GOUPILLE DE CHARNIÈRE	2	2	2	2	.	.
	10240-15	HINGE PIN	GOUPILLE DE CHARNIÈRE	2	2
6A	S21237	HINGE SPACER	ENTRETOISE DE CHARNIÈRE	2	2
7	S21233	HITCH PIN CLIP	ATTACHE DE CHEVILLE	6	6	6	6	6	6
9	S12029	GRID - PORCELAIN	GRILLE	2	2
	S12024	GRID - S.S.	GRILLE - A.I.	.	.	2	.	.	.
	S12033	GRID - PORCELAIN	GRILLE	3	3
	10225-T406	GRID - PORCELAIN	GRILLE	.	.	.	2	.	.
10	10222-T424	FLAV-R-WAVE	FLAV-R-WAVE	.	.	.	1	.	.
	10222-T425	FLAV-R-WAVE S.S.	FLAV-R-WAVE A.I.	1	1	1	.	1	1
11	S12206	GRID - WARMING RACK	GRILLE	.	.	1	1	.	.
	S12207	GRID - WARMING RACK	GRILLE	1	1
	10225-T528	GRID - WARMING RACK	GRILLE	1	1
12	10225-T627	SWING BASKET	PANIER À BALANCOIR	1	1
13	Y-11797	BOLT - SWING BASKET	BOULON POUR PANIER A BALANCOIR	2	2
15	S10017	BURNER/VENTURI ASSY	ENSEMBLE DE BRULEUR	1	1	1	1	1	1
17	10342-242	ROTARY IGNITOR	ALLUMEUR ROTATIF	.	.	1	1	.	1
	10342-248	ROTARY IGNITOR	ALLUMEUR ROTATIF	1	.	.	.	1	.
	10472-K40	ROTARY IGNITOR KNOB	BOUTON ROTATOIRE D'IGNITOR	1	1	1	1	1	1
	S21124S	SCREW - 8 x 1/2 S.S.	VIS - 8 X 1/2 S.S.	.	.	2	.	2	2
18	S15500	ELECTRODE	ELECTRODE	1	1	1	1	1	1
21	10440-T60	CONTROL ASSY LP-3V	SOUPAPE, (GAZ PROPANE)	1
	10440-T61	CONTROL ASSY NG-3V	SOUPAPE, (GAZ NATUREL)	1
	10440-T84	CONTROL ASSY LP-3V	SOUPAPE, (GAZ PROPANE)	1	.
	10440-T85	CONTROL ASSY NG-3V	SOUPAPE, (GAZ NATUREL)	1	.
	10442-T62	CONTROL ASSY LP-4V	SOUPAPE, (GAZ PROPANE)	.	1	1	1	.	.
	10442-T63	CONTROL ASSY NG-4V	SOUPAPE, (GAZ NATUREL)	.	1	1	1	.	.
	10442-T86	CONTROL ASSY LP-4V	SOUPAPE, (GAZ PROPANE)	1
	10442-T87	CONTROL ASSY NG-4V	SOUPAPE, (GAZ NATUREL)	1
21A.	S13467-091	HOSE-SIDE BURNER LP	TUYAU DU BRULEUR LATERAL PL	.	1	1	1	.	1
	S13467-132	HOSE-SIDE BURNER NG	TUYAU DU BRULEUR LATERAL GN	.	1	1	1	.	1
	Y-11230	COTTER PIN	ATTACHE DE CHEVILLE	.	1	1	1	.	1
21B.	10110-94	TUBE-REAR BURNER ASSY	TUBE DE BRULEUR ARRIERE	1	1	1	1	1	1
22	10114-20	HOSE & REGULATOR LP - QCC1	TUYAU ET REGULATEUR PL - QCC1	1	1	1	1	1	1
	10111-K47	HOSE NATURAL GAS	TUYAU (GAZ NATUREL)	1	1	1	1	1	1
23	10472-K37	CONTROL KNOB	BOUTON DE CONTROLE	3	4	4	4	3	4
30	10086-E85	DECO PLATE - 4V S.S.	PLAQUE DECORATIVE - 4V A.I.	.	.	1	.	.	1
	10086-E524	DECO PLATE - 3V	PLAQUE DECORATIVE - 3V	1
	10086-E534	DECO PLATE - 4V	PLAQUE DECORATIVE - 4V	.	1	.	1	.	.
	10086-E721	DECO PLATE - 3V S.S.	PLAQUE DECORATIVE - 3V A.I.	1	.
31	10194-E501	CONTROL COVER	PANNEAU DE CONTROLE	1	1	1	1	1	1
33	10184-R801	RADIATION SHIELD	ÉCRAN DE CHALEUR	1	1	1	1	1	1
35	10184-E401	SUPPORT-CASTING-LEFT	SUPPORT GAUCHE DU FOYER	1	1	1	1	1	1
36	10184-E411	SUPPORT-CASTING-RIGHT	SUPPORT DROIT DU FOYER	1	1	1	1	1	1
37	10184-E461	SUPPORT-SIDE SHELF-LEFT	SUPPORT TABLETTE DE GAUCHE	2	2	2	2	2	2
37A	10184-E62	SUPPORT-SIDE SHELF-LEFT	SUPPORT TABLETTE DE GAUCHE	2	2	2	2	2	2
38	10184-E471	SUPPORT-SIDE SHELF-RIGHT	SUPPORT TABLETTE DE DROIT	2	2	2	2	2	2
38A	10184-E63	SUPPORT-SIDE SHELF-RIGHT	SUPPORT TABLETTE DE DROIT	2	2	2	2	2	2
39	10956-E561	BRACE-REAR	SUPPORT ARRIERE	1	1	1	1	1	1
40	10958-R82	BASE	TABLETTE INFERIEURE	1	1	1	1	1	1
41	10956-E571	BRACE-FRONT	SUPPORT AVANT	1	1	1	1	1	1
42	10958-E79	DOOR	PORTE	2	2	2	2	2	2
43	10958-E761	SIDE PANEL BLK	PANNEAU LATERALE	2	2	2	2	2	2
44	10958-E901	PANEL - REAR	PANNEAU - ARRIÈRE	1	1	1	1	1	1

PARTS LIST / LISTE DES PIÈCES

KEY #	ITEM #	DESCRIPTION	DESCRIPTION	4674-4	4684-4	4685-4	4687-4	8674-4	8684-4
				4674-7	4684-7	4685-7	4687-7	8674-7	8684-7
45	10184-E801	BRACKET - DOOR CATCH	PARENTHÈSE - CROCHET DE PORTE	1	1	1	1	1	1
50	10711-E561	SHELF - SIDE - RIGHT	PLANCHETTE LATÉRALE – DROIT	1	1
	10711-E564	SHELF - SIDE - INSERT	PLANCHETTE LATÉRALE – DROIT	.	.	1	1	1	1
50A	10393-E52	INSERT - SIDE SHELF	PANNEAU - ÉTAGÈRE LATÉRALE	.	.	1	1	2	1
51	10711-E562	SHELF-SIDE-LEFT	PLANCHETTE LATÉRALE – GAUCHE	1
	10711-E563	SHELF-SIDEBURNER	PLANCHETTE – BRULEUR DE COTE	.	1	1	1	1	1
52	10184-E76	DOOR - TOP CAP - LEFT	PORTE - DESSUS - GAUCHE	1	1	1	1	1	1
53	10184-E78	DOOR - BOTTOM CAP - LEFT	PORTE - LE FOND - GAUCHE	1	1	1	1	1	1
54	10184-E77	DOOR - TOP CAP - RIGHT	PORTE - DESSUS - DROIT	1	1	1	1	1	1
55	10184-E79	DOOR - BOTTOM CAP - RIGHT	PORTE - LE FOND - DROIT	1	1	1	1	1	1
64	Y-12851	WASHER	RONDELLE	1	1	1	1	.	.
65	S13005	BURNER ROTISSERIE	BRULEUR A ROTISS	1	1
	S13009	BURNER ROTISSERIE	BRULEUR A ROTISS	1	1	1	1	.	.
68	S21362	SPRING	RESSORT	1	1	1	1	1	1
70	Y-11990	HEX NUT	ECROU	1	1	1	1	1	1
71	10696-109	REARBURNER-ORIFICE LP	ORIFICE DU BRULEUR ARRIERE PL	1	1	1	1	.	.
	10696-127	REARBURNER-ORIFICE LP	ORIFICE DU BRULEUR ARRIERE PL	1	1
	10696-160	REARBURNER-ORIFICE NG	ORIFICE DU BRULEUR ARRIERE GN	1	1	1	1	.	.
	10696-185	REARBURNER-ORIFICE NG	ORIFICE DU BRULEUR ARRIERE GN	1	1
74	Y-6616	BOLT 1/4-20 X 1 1/2	BOULON – 1/4-20 X 1 1/2	2	2	2	2	2	2
75	10338-145	HANDLE	POIGNEE	2	2	2	2	2	2
76	10239-7	WASHER-HANDLE	RONDELLE DE LA POIGNEE	2	2	2	2	2	2
78	10892-15	CASTOR	ROULETTES	4	4	4	4	4	4
79	Y-11561	BOLT – 1/4:20 x 1 3/4	BOULON - 1/4:20 X 1 3/4	8	8	8	8	8	8
80	Y-11546	SCREW- 1/4-20 X 5/8	VIS – 1/4-20 X 5/8	4	4	4	4	4	4
81	Y-11545	SCREW – 1/4-20 X 1 3/8	VIS – 1/4-20 X 1 3/8	4	4	4	4	4	4
82	Y-12673	SHELF - LOCK PIN	ÉTAGÈRE - GOUPILLE DE SERRURE	2	2	2	2	2	2
82A	Y-12855	BOLT- 1/4-20 X 3/8	BOULON – 1/4-20 X 3/8	2	2	2	2	2	2
83	S21014	BOLT- 1/4-20 X 3/4	BOULON – 1/4-20 X 3/4	6	6	6	6	6	6
85	10240-15	HINGE PIN	ATTACHE DE CHEVILLE	4	4	4	4	4	4
87	Y-11793	NUT- 1/4-20	ECROU – 1/4-20	22	22	22	22	24	24
97	Y-12642	SCREW – 8 X 1/2 - S.S.	VIS - 8 X 1/2 - A.I.	.	.	6	.	6	6
	Y-12643	SCREW – 8 X 1/2	VIS - 8 X 1/2	6	6	.	6	.	.
98	S21124	SCREW – 8 X 1/2	VIS - 8 X 1/2	20	20	20	20	20	20
98A	Y-12643	SCREW – 8 X 1/2	VIS - 8 X 1/2	12	12	12	12	12	12
99	Y-12646	SCREW – SHOULDER 8 X 1/2	VIS - 8 X 1/2	.	2	2	2	.	2
100	S21126	SCREW – 8 X 1/2	VIS - 8 X 1/2	.	.	4	4	8	4
104	Y-12835	SCREW – 6-32 X 1/4	VIS – 6-32 X 1/4	.	2	2	2	.	2
105	Y-29307	NUT – 10-24	ECROU – 10-24	.	4	4	4	.	4
108	PB20-60	LID HANDLE	POIGNEE	.	1	1	1	.	1
109	S21136	SCREW – 8-32 X 3/8	VIS – 8-32 X 3/8	1	3	3	3	1	3
110	10225-T09	GRID	GRILLE	.	1	1	1	.	1
111	10390-E10	SIDE BURNER	BRULEUR DE COTE	.	1	1	1	.	1
113	10342-T14	ELECTRODE – SIDE BURNER	ELECTRODE – BRULEUR DE COTE	.	1	1	1	.	1
114	10393-E50	COVER-SIDE BURNER	COUVERCLE LATÉRAL	1	.	1	1	1	1
	10393-E401	COVER-SIDE BURNER	COUVERCLE LATÉRAL	.	1
115	Y-29304	SCREW – 10-24 X 3/8	VIS– 10-24 X 3/8	4	4	.	4	.	.
	Y-29304S	SCREW – 10-24 X 3/8 - S.S.	VIS– 10-24 X 3/8 - A.I.	.	.	4	.	4	4
116	Y-29304	SCREW – 10-24 X 3/8	VIS– 10-24 X 3/8	.	4	4	4	.	4
117	10393-E62	SHELF-SIDE BURNER	SUPPORT DE BRULEUR DE COTE	.	1	1	1	.	1
123	S15115	GREASE PAN - DISPOSABLE	CUVETTE A GRAISSE	2	2	2	2	2	2
125	Y-12220	BUSHING	DOUILLE	1	1	1	1	1	1
135	Y-12119	3/8 HEYCO BUSHING	DOUILLE DE 3/8 HEYCO	1	1	1	1	1	1

