

This Owner's Manual is provided and hosted by [Appliance Factory Parts](#).



# LG LRE30755SB Owner's Manual

[Shop genuine replacement parts for LG LRE30755SB](#)



[Find Your LG Electric Range Parts - Select From 91 Models](#)

----- Manual continues below -----



Website: <http://us.lge.com>

# Installation Manual

## Electric Range

**LRE30451S / LRE30755S**

Please read these instructions thoroughly before installing and operating the range.

P/No.: 3828W5U0512

## 1 BEFORE YOU BEGIN

Remove all tape and packing materials before using the range. Dispose all plastic bags after unpacking the range. Never allow children to play with packing materials.

### IMPORTANT SAFETY INSTRUCTIONS

**⚠ WARNING** If the information in this manual is not followed exactly, a fire or electrical shock may result causing property damage, personal injury or death.



#### ⚠ WARNING

- ALL RANGES CAN TIP
- INJURY TO PERSONS COULD RESULT
- INSTALL ANTI-TIP BRACKET PACKED WITH RANGE
- SEE INSTALLATION INSTRUCTIONS



#### Important Notes to the Installer

- Read all instructions contained in these installation instructions before installing range.
- Remove all packing materials from the oven compartments before connecting the electrical supply to the range.
- Observe all governing codes and ordinances.
- Be sure to leave these instructions with the consumer.

#### Important Note to the Consumer

Keep these instructions with your owner's manual for future reference.

- As when using any appliance generating heat, there are certain safety precautions you should follow.
- Be sure your range is installed and grounded properly by a qualified installer or service technician.
- Make sure the wall coverings around the range can withstand the heat generated by the range.
- To eliminate the need to reach over the surface elements, cabinet storage space above the elements should be avoided.

## PREPARE TO INSTALL THE RANGE

### TOOLS NEEDED



Phillips Screwdriver



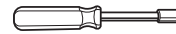
Level



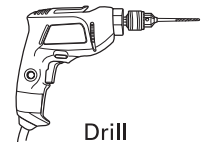
Flat-blade  
Screwdriver



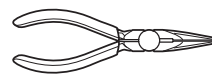
Adjustable Wrench



1/4" Nut Driver

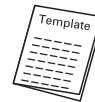


Drill

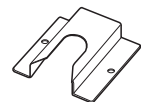


Pliers

### PARTS PROVIDED



Template



Anti-Tip Bracket Kit



Anchor Sleeves



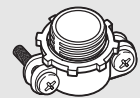
Lag Bolts

(For Anti-Tip Bracket Mounted  
on Concrete Floors Only)

### PARTS NOT PROVIDED



(UL Approved 40 or 50 AMP)  
4-Wire Cord OR 3-Wire Cord



Strain Relief  
(For Conduit  
Installations Only)

**2 INSTALLATION DRAWINGS**

**IMPORTANT**

SAVE FOR THE USE OF THE LOCAL ELECTRICAL INSPECTOR.

**CLEARANCES AND DIMENSIONS (Figure 1)**

To install range refer to the following Figure 1.

**For installation in CANADA, a Free-standing range is not to be installed closer than 12 mm from any adjacent surface.**

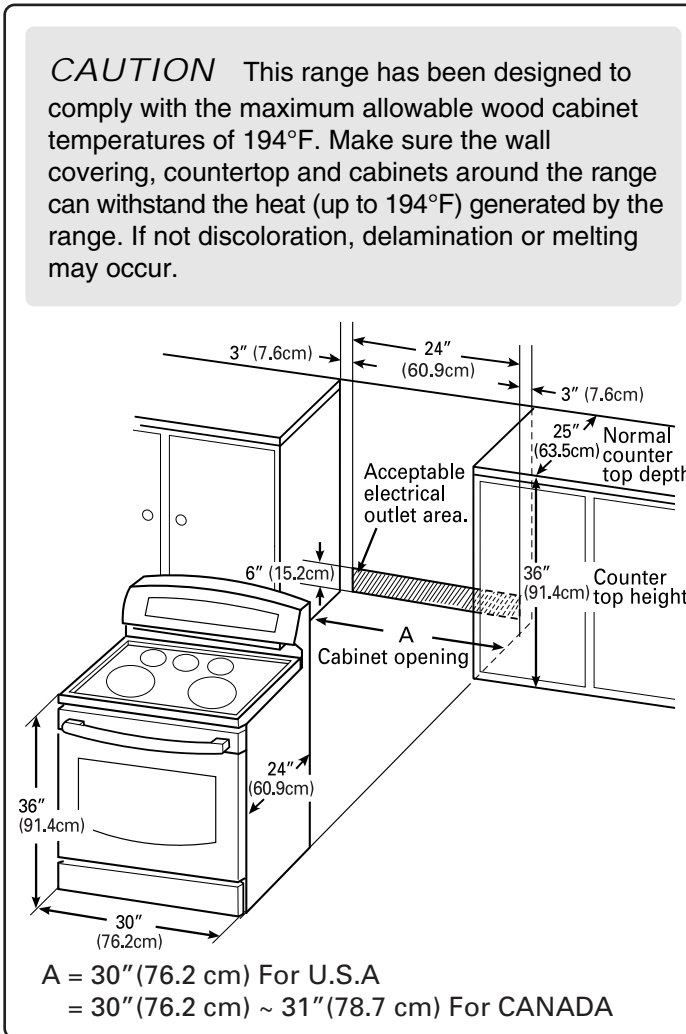


FIGURE 1

**IMPORTANT** To eliminate the risk of burns or fire by reaching over heated surface units, cabinet storage space located above the surface units should be avoided. If cabinet storage is to be provided, the risk can be reduced by installing a range hood that projects horizontally a minimum of 5 inches beyond the bottom of the cabinets.

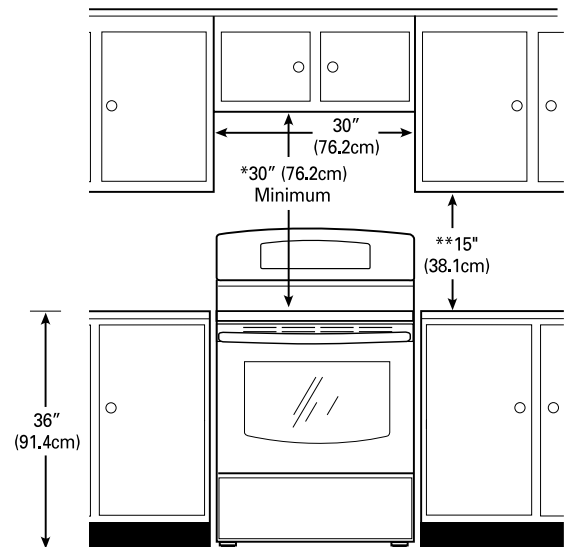


FIGURE 2

**MINIMUM DIMENSIONS (Figure 2)**

\* 30" (76.2 cm) minimum clearance between the top of the cooking surface and the bottom of an unprotected wood or metal cabinet; or 24" (60.9 cm) minimum when bottom of wood or metal cabinet is protected by not less than 1/4" (6.4 cm) flame retardant millboard covered with not less than no. 28 MSG sheet steel, 0.015" (0.381 mm) stainless steel, 0.024" (0.610 mm) aluminum or 0.020" (0.508 mm) copper.

\*\* 15" (38.1 cm) minimum between countertop and adjacent cabinet bottom.

**3 ELECTRICAL CONNECTION REQUIREMENTS**

This appliance must be installed and grounded on a branch circuit by a qualified technician in accordance with the National Electrical code ANSI/NFPA NO. 70 - latest edition.

All wiring should conform to Local and NEC. This range requires a single-phase, 3 wire, A.C 120/208V or 120/240V 60Hz electrical system. Use only a 3-conductor or a 4-conductor UL-listed range cord with closed-loop terminals, open-end spade lugs with upturned ends or similar terminations. Cord must have the strain relief properly installed.

A range cord rated at 40 amps with 120/240 minimum volt range is required. If a 50 amp range cord is used, it should be marked for use with 1<sup>3</sup>/<sub>8</sub>" diameter connection openings.

This appliance may be connected by means of conduit or power cord. If conduit is being used, go to page 6 **3 wire conduit connections** or page 7 for **4 wire conduit connections**.

**⚠ WARNING**

**New branch-circuit installations (1996 NEC), mobile homes, recreational vehicles, and installations where local codes do not allow grounding through neutral require a 4-conductor UL listed range cord or 4 wire conduit connection.**

**4 CONNECT RANGE CORD**

The Rear Access cover must be removed. Loosen the three screws with a screwdriver. The terminal block will then be accessible.

3, 4 - Wire electrical wall Receptacle types

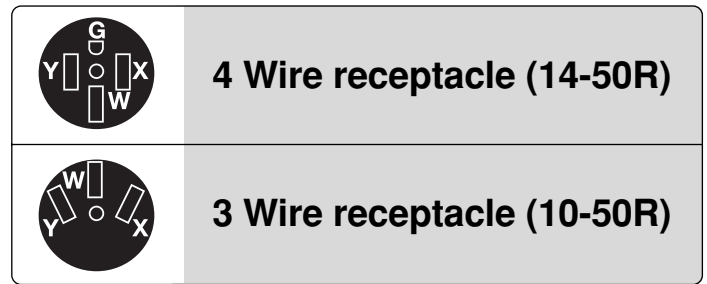


FIGURE 3

Conduit connection plate is used for the installation of power cord or conduit. For power cord, install it with conduit connection plate as manufacturer supplied. For conduit cord, remove the conduit connection plate located below the rear of the drawer body and use the conduit hole (1<sup>1</sup>/<sub>8</sub>" ) instead of power cord hole (1<sup>3</sup>/<sub>8</sub>" ). (Refer to Figure 8.)

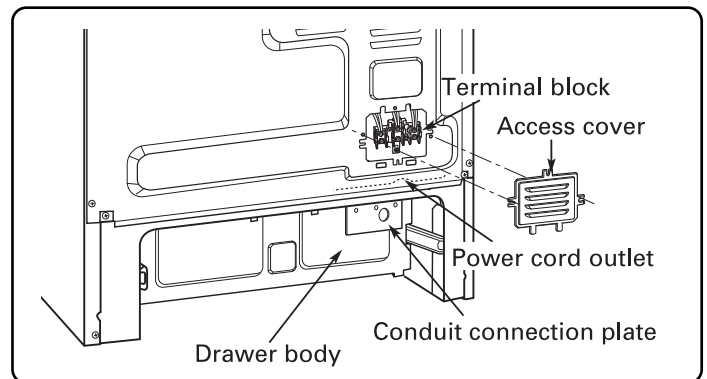


FIGURE 4

Specified power-supply-cord kit rating				
Range rating, watts		Specified rating of power-supply-cord kit, amperes	Diameter (inches) of Range connection Opening	
120/240 volts 3-wire	120/208 volts 3-wire		Power cord	Conduit
8,750 - 16,500	7,801 - 12,500	40 or 50A	1 <sup>3</sup> / <sub>8</sub> "	1 <sup>1</sup> / <sub>8</sub> "
16,501 - 22,500	12,501 - 18,500	50	1 <sup>3</sup> / <sub>8</sub> "	1 <sup>1</sup> / <sub>8</sub> "

## 3-wire connection with a power supply cord

### ⚠️ WARNING

The middle (neutral or ground) wire of the power cord or 3-wire conduit has to be connected to the middle post of the main terminal block. The remaining two wires of the power cord or conduit have to be connected to the outside posts of the main terminal connection block.

### Install the power cord as follows:

For power cord installations, Hook the strain relief over the power cord hole ( $1\frac{3}{8}$ " ) located below the rear of drawer body. Insert the power cord through the strain relief and tighten it. (Refer to Figure 5.)

#### You must install the power cord with a strain relief.

1. Remove the lower 3 screws from the terminal block and retain them. (Refer to Figure 6.)
2. Insert the 3 screws through each power cord terminal ring and into the lower terminals of the terminal block.  
Make sure that the center wire (white/neutral) is connected to the center lower position of the terminal block.
3. Tighten 3 screws securely into the terminal block.  
**Do not remove the ground strap connections.**
4. Go to page 8.

## 4-wire connection with a power supply cord

### ⚠️ WARNING

Only a 4-conductor power-supply cord kit rated 120/240 volts, 50 amperes and marked for use with ranges with closed-loop connectors, open-end spade lugs with upturned ends shall be used. The middle (neutral) wire of the power cord or 4-wire conduit has to be connected to the middle post of the main terminal block. Other two wires of the power cord or conduit have to be connected to the outside posts of the main terminal connection block. The 4th ground wire must be connected to the frame of the range with the ground screw.

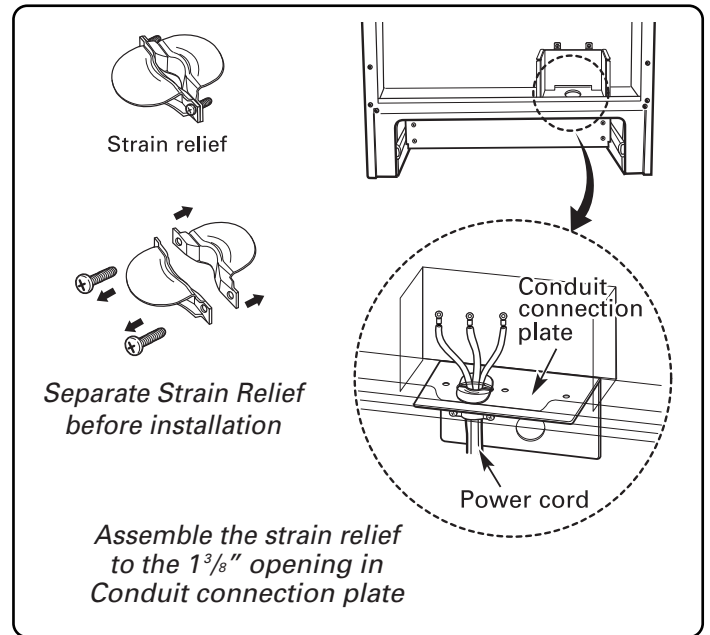


FIGURE 5

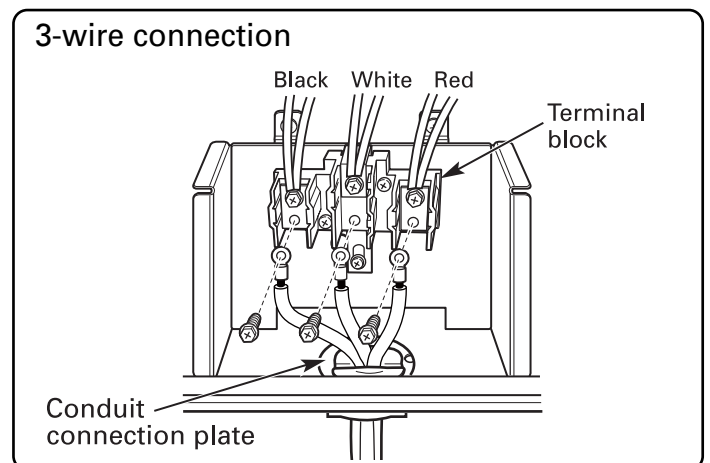
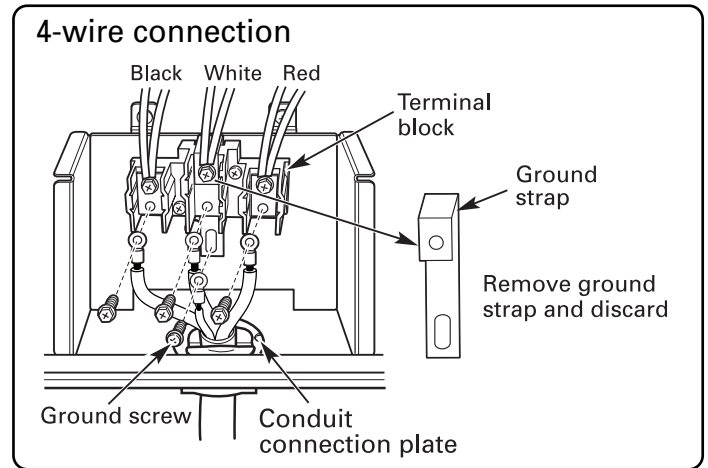


FIGURE 6

Follow the instructions under "Install the power cord as follows" on page 5 to correctly install the strain relief.

1. Remove the lower 3 screws from the terminal block and retain them. (Refer to Figure 7.)  
Remove the ground screw and retain it.
2. **Remove ground strap and discard as shown in Figure 7.**  
**Do not discard any screws.**
3. Insert the ground screw into the power cord ground wire terminal ring and secure it to the range frame.
4. Insert the 3 screws through each power cord terminal ring and into the lower terminals of the terminal block. Make sure that the center wire (white/neutral) is connected to the center lower position of the terminal block.  
Tighten 3 screws securely into the terminal block.
5. Go to page 8.



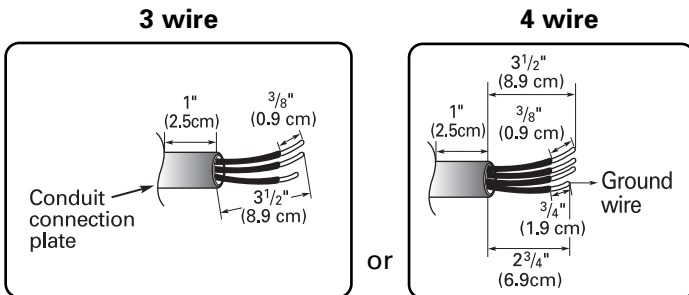
**FIGURE 7**

## 3-wire connection: conduit

### Install the conduit as follows:

Remove the Conduit connection plate from the rear of drawer body and rotate it as shown in Figure 8. The conduit hole ( $1\frac{1}{8}$ "") must be used.

First, prepare conduit wires as shown in Figure 9.



**FIGURE 9**

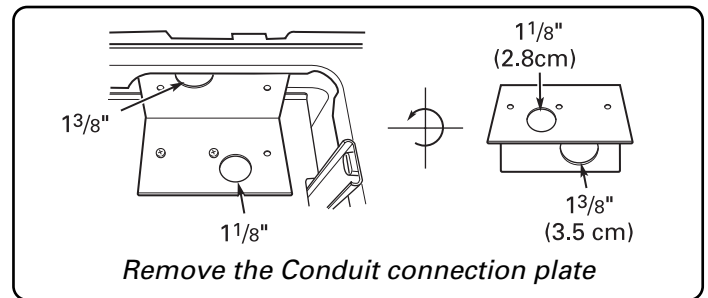
Second, install conduit as shown in Figure 10.

For conduit installations, after purchasing a strain relief, insert it in the conduit hole ( $1\frac{1}{8}$ ""). Then install the conduit through the body of strain relief and fasten the strain relief with its ring. Reinstall the bracket.

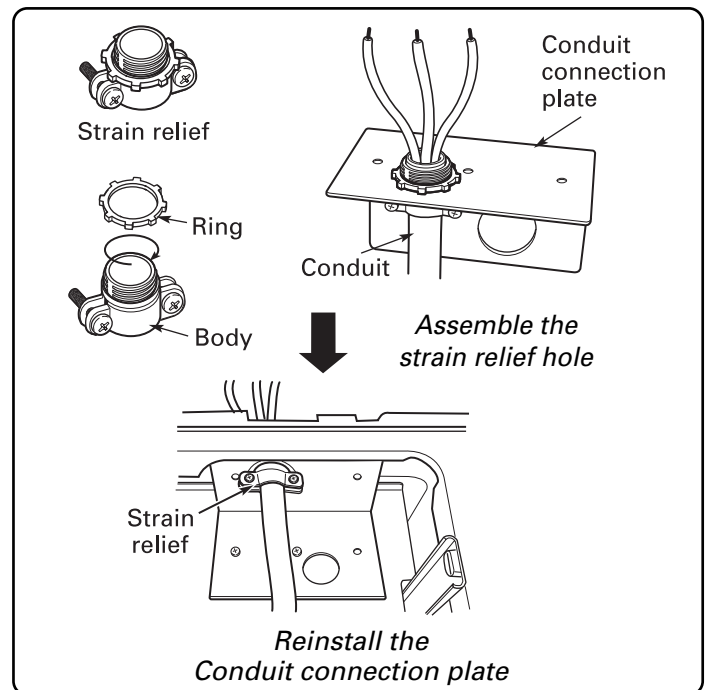
For conduit connections :

If the wire in the conduit is copper it must be 8 or 10 AWG wiring.

If the wire in the conduit is aluminum it must be 6 or 8 AWG wiring.

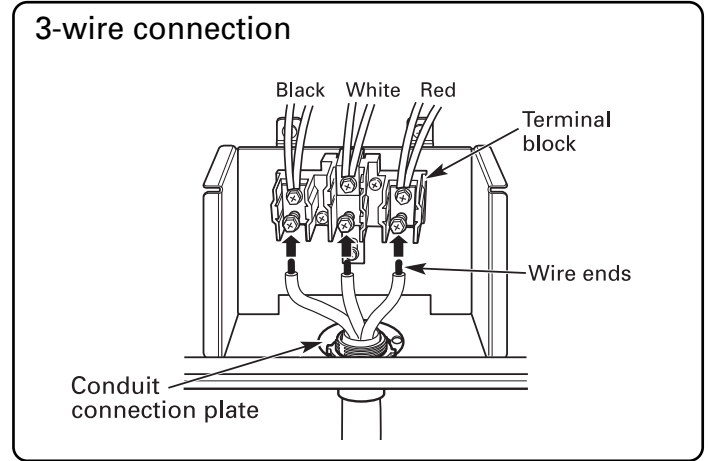


**FIGURE 8**



**FIGURE 10**

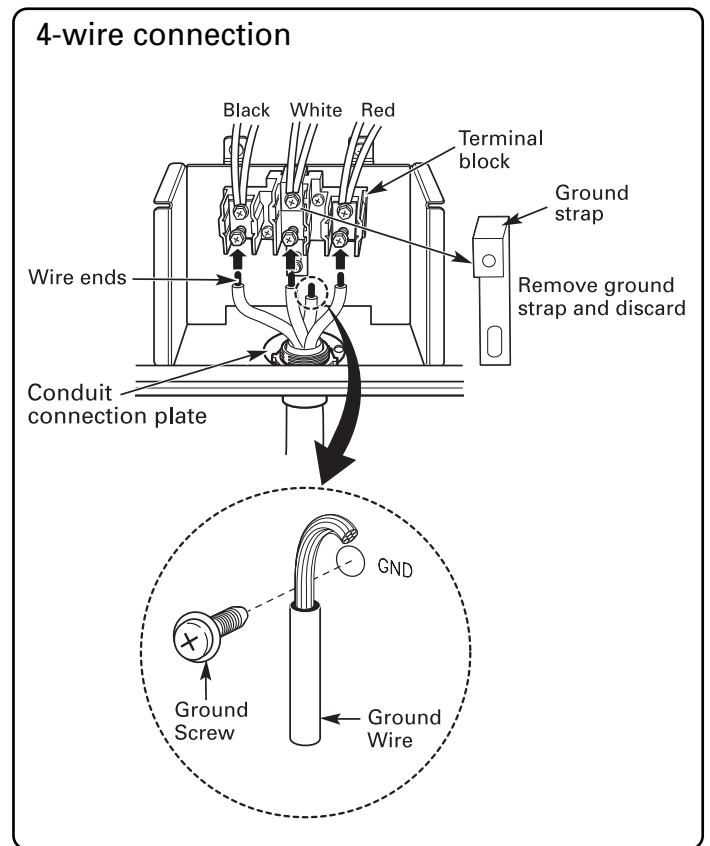
1. Loosen the lower 3 screws from the terminal block. (Refer to Figure 11.)
2. Insert the bare wire (white/neutral) end through the center terminal block opening.  
**Do not remove ground strap connections.**
3. Insert the two side bare wire ends into the lower left and the lower right terminal block opening. Tighten the 3 screws securely into the terminal block. (approximately 35 - 50 IN-LB)
4. Go to page 8.



**FIGURE 11**

## 4-wire connection: conduit

1. Follow the instructions under "Install the conduit as follows" on page 6 to correctly install the strain relief.  
**You must install the conduit with a strain relief.**
2. Loosen the 2 lower left and right screws from the terminal block. (Refer to Figure 12.) Remove the lower 2 center screws.
3. **Remove ground strap and discard as shown in Figure 12.**  
**Do not discard any screws.**
4. Attach the ground bare wire end to range frame and secure it in place with the ground screw (Refer to figure 12.)
5. Insert the bare wire (white/neutral) end through the center terminal block opening.
6. Insert the two side bare wire ends into the left and the right terminal block opening. Tighten the 3 screws securely into the terminal block. (approximately 35 - 50 IN-LB)
7. Go to page 8.

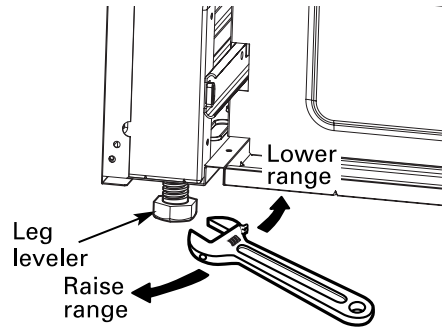
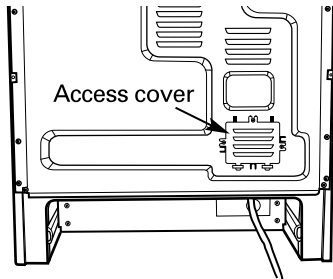


**FIGURE 12**

## Part 4

# INSTALL THE RANGE

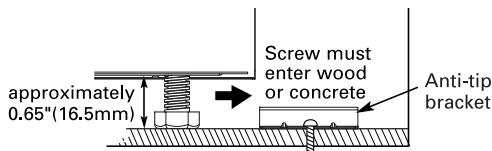
Replace the access cover on the range back. To replace the wire cover, insert double projections in the pockets located below the opening and tighten the three screws.



## 5 ANTI-TIP DEVICE INSTALLATION

### ⚠ WARNING

- To reduce the risk of tipping, the appliance must be secured by properly installed anti-tip devices packed with the appliance.
- See instructions to install (supplied with bracket).
- Unless properly installed, the range could be tipped by stepping or sitting on the door. Injury may result from spilled hot liquids or from the range itself.



### Note

To install Anti-tip bracket, release the leveling leg. A minimum clearance of 0.65" (16.5mm) is required between the range bottom and the kitchen floor.

#### 1. Locate the bracket using the template

An Anti-tip bracket is packaged with template. The instructions include necessary information to complete the installation.

Read and follow range installation instruction sheet (template).

#### 2. Level the range

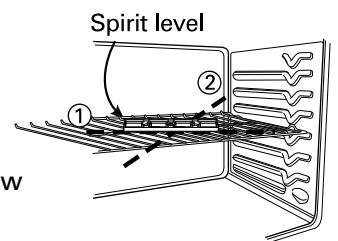
Level the range by adjusting the leveling legs with a wrench.

Use a spirit level to check your adjustments. Place the level diagonally on the oven rack, and check each direction for level.

First check direction ①.

After check direction ②.

If the spirit level doesn't show level on the rack, adjust the leveling legs with a wrench.



## 6 FINAL INSTALLATION

- Move range close enough to the opening to plug into the receptacle.
- Slide range into position insuring that the left back leg slides under the anti-tip bracket. Range will sit 0" away from the back wall when properly installed.
- Carefully tip range forward to insure that the anti-tip bracket engages the range back brace and prevents tip-over.
- Turn on electrical power. Check range for proper operation as described in owner's manual.