

INSTALLATION INSTRUCTIONS

For Built-in Microwave Ovens

Model:
EM 204-630

Built-In
Trim Kit
Model:
ER 204-630
(Sold Separately)

GAGGENAU

Please read this entire manual before proceeding

IMPORTANT: Local codes vary. Installation, electrical connections, circuit breakers and grounding must comply with all applicable codes. Save these instructions for your local electrical inspector's use.

INSTALLER: Please leave these Installation Instructions with this unit for the owner.

OWNER: Please retain these instructions for future reference.

WARNING: Disconnect power at the breaker before installing.

Contents

Step 1:	Unpacking	3
Step 2:	Cabinet Preparation	4
Step 3:	Electrical Installation	5
Step 4:	Installing the Microwave Oven	5 -7
Step 5:	Installing the Trim Kit	7

Step 1: Unpacking

A. Microwave Oven Model EM 204-630

Open the box and carefully remove all fillers and packing material. Your new Gaggenau microwave includes the following:

- Care & Use manual (1)
- Turn Table (1)
- Turn Table Support (1)

B. Trim Kit Model ER 204-630

Open the box and carefully remove all fillers and packing materials.

Parts list:

- Trim Frame (1)
- Bottom Duct (1)
- Anti-Tip Bracket (1)
- Side Duct (1)
- Upper Duct (1)
- Installation Instructions (1)
- Bottom Bracket (1)
- Screws #6 x 1/2" (13)
- Screws #8 x1" (6)
- Template (1)

Table 1

Trim Kit	Microwave Oven
ER 204-630	EM 204-630

Caution:

- Trim kits are designed for use only with the Gaggenau microwave oven models listed (See Table 1).
- For safety, do not alter or modify any part of this kit or oven.

Step 2: Cabinet Preparation

- The cabinet cutout dimensions are shown in Figure 1.
- It is a good practice when the microwave oven is installed at the end of a cabinet run, adjacent to a perpendicular wall or cabinet door, to allow at least 1/4" space between the side of the trim and wall or door.
- Your microwave oven can be installed into a cabinet or wall by itself or above any of the following Gaggenau wall ovens: EB 290, EB 291, EB 294 and EB 295.
- Outlet can be located anywhere within the shaded area as indicated in Figure 1.

	Trim Kit	Dimensions
Width (B)	ER 204-630	25-1/2" ± 1/16"
Height (A)	All Trim Kits	16"-3/4" - 18"-1/8"
Depth (C)	All Trim Kits	24" ± 1/8"

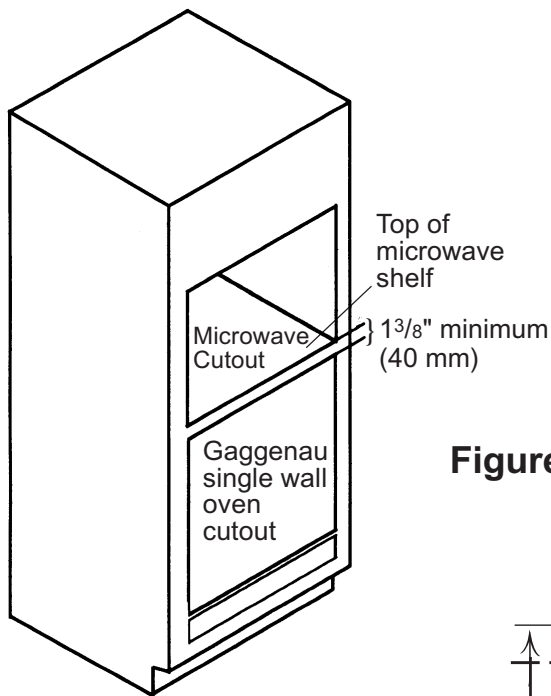


Figure 2

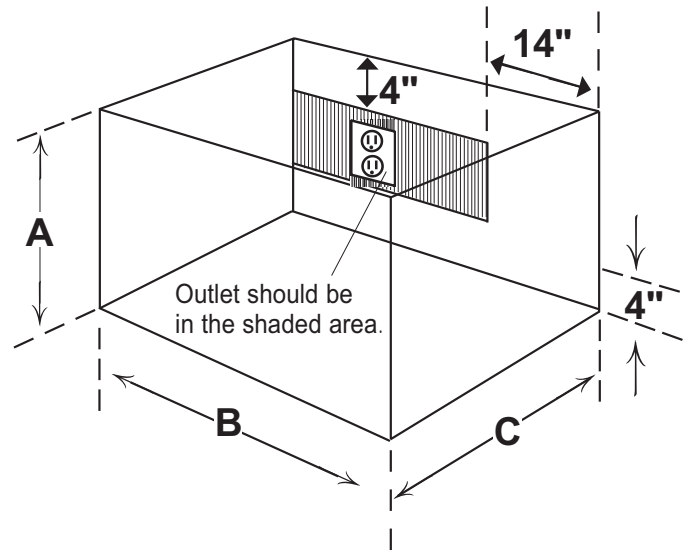


Figure 1

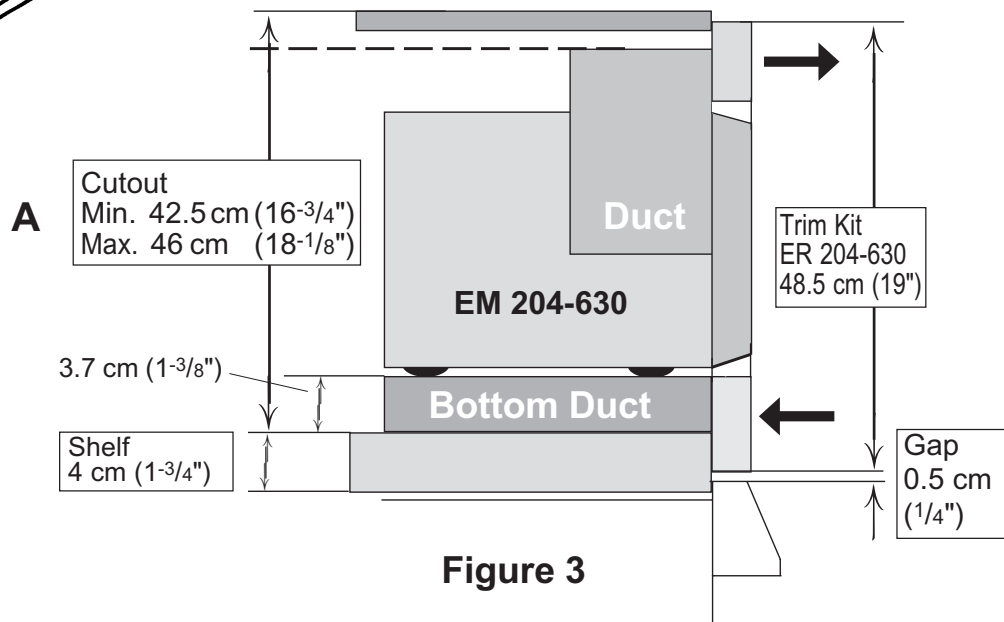


Figure 3

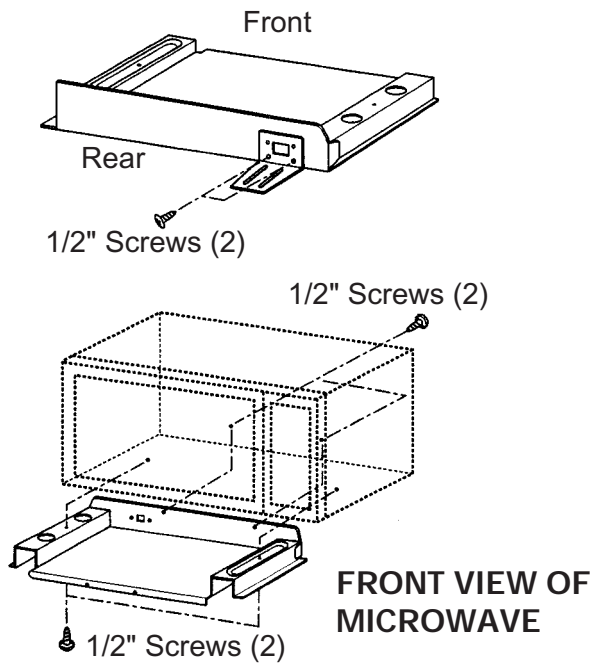
Step 3: Electrical Installation

The Gaggenau microwave oven is equipped with a grounded cord. The wall receptacle must be installed and grounded in accordance with the national electrical code. Also, electrical connections and grounding must comply with all applicable local codes.

The electrical requirements for a separate circuit serving only this microwave oven are: 120V, 60Hz, 15Amp.

Step 4: Installing the Microwave Oven

Step A



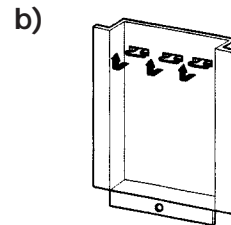
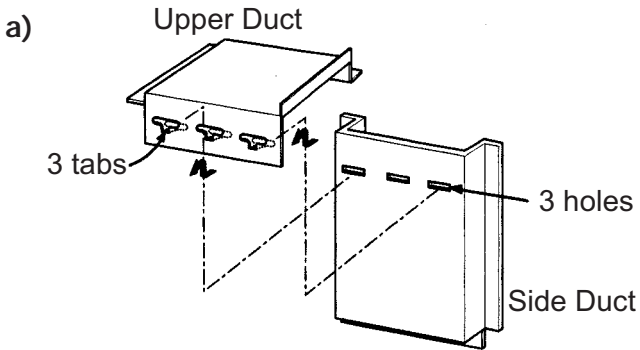
1. Disconnect the microwave oven from the outlet before proceeding with installation.
2. Remove any loose items (turntable, support, etc.) from the microwave oven.
3. Fasten the bottom bracket to the bottom duct by using two 1/2" screws.
4. Install bottom duct with four 1/2" screws to bottom of microwave.

Step 4: Installing The Microwave Oven (continued)

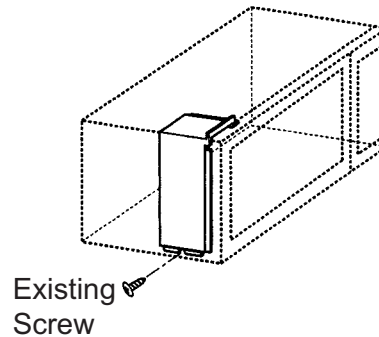
Step B

1. Remove the one existing screw from the left side of the microwave oven.
2. Connect the side duct to upper duct as shown.
 - a) Insert projecting tabs of upper duct into holes of side duct.
 - b) Bend tabs up as shown.

NOTE: Remove any oil or dirt on surface of microwave oven before ducts are attached.

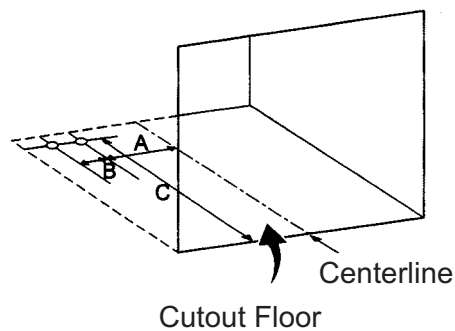


3. Peel off the backing of double-sided tape. Attach the side duct and upper duct assembly on the microwave cabinet. Press down firmly on ducts. Fasten duct assembly to left side of cabinet with one existing screw.



Step C

1. On the cutout floor, mark hole centers for the anti-tip brackets as shown using the supplied template. Be sure to align the center line of template to center line of cutout floor.
2. Drill two holes for anti-tip bracket. (Use $\frac{7}{64}$ " drill or #35 drill)
3. Install anti-tip bracket onto cutout floor using two $\frac{1}{2}$ " screws.

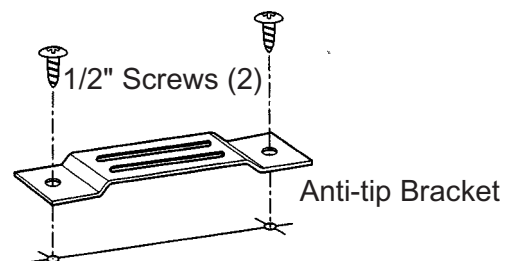


DIMENSIONS:

A = 4- $\frac{1}{4}$ "

B = 3"

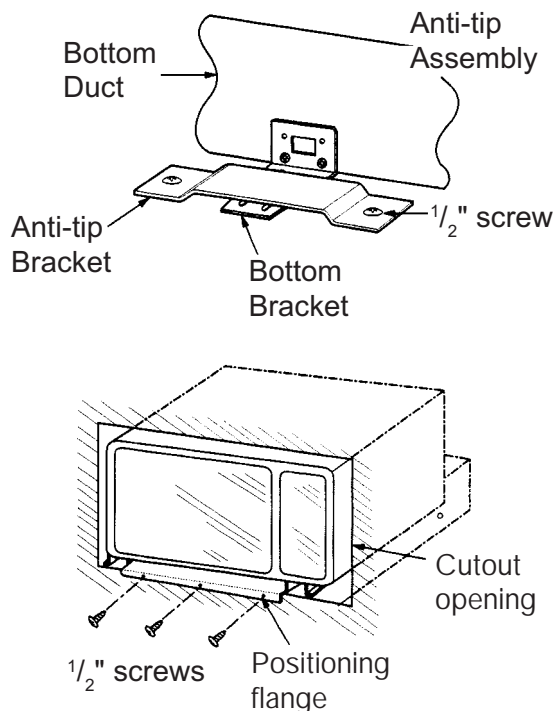
C = 18- $\frac{3}{16}$ "



Step 4: Installing the Microwave Oven (continued)

Step D

1. Slide microwave oven part way into cabinet opening. (Bottom bracket must be flat to the cutout floor to engage correctly with anti-tip brackets as shown).
2. Plug in the microwave oven.
3. Center the microwave oven within the cutout opening and slide the microwave oven in the anti-tip bracket. (Ensure the microwave oven is accurately centered).
4. Drill pilot holes (use $\frac{7}{64}$ " drill or #35 drill) through the positioning flange and then install three $\frac{1}{2}$ " screws at the front of the bottom duct as shown.



Step 5: Installing the Trim Kit

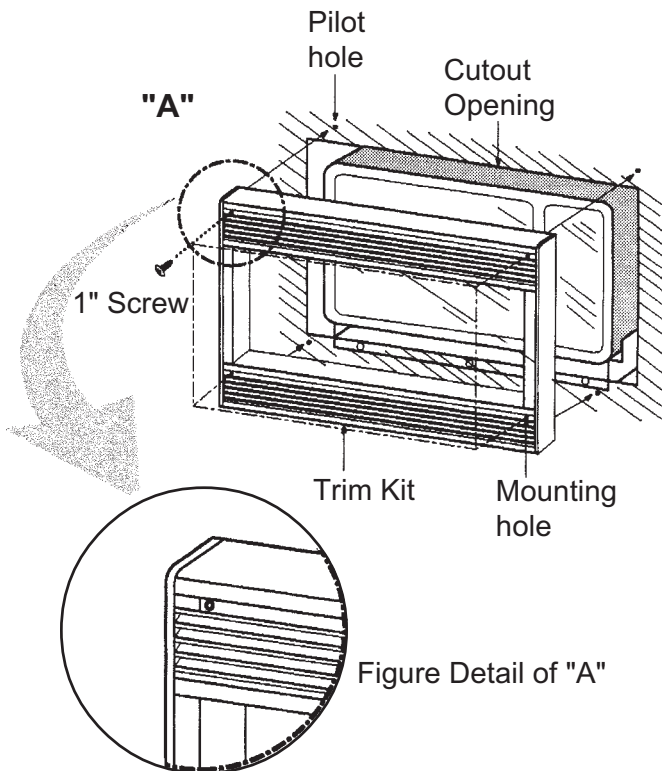
1. Place the trim kit frame over the microwave oven.

Important Note: Trim kit frame orientation is important. Orient the frame so the louvers are sloping downward to the front. (See Figure Detail A).

2. Make sure the trim kit is level and centered with respect to microwave oven. Mark four hole centers through the four mounting holes of the trim kit.

NOTE: Center the trim kit frame equally on all four sides.

3. Remove the trim kit and drill four pilot holes. (use $\frac{7}{64}$ drill or #35 drill)
4. Attach the trim kit frame by using four 1" screws. Make sure that the orientation is correct as stated above.
5. **Your trim kit is now fully installed.** Replace any loose items that have been removed from inside microwave oven.
6. Please keep this installation instruction for future reference.



Gaggenau reserves the right to change specifications or design without notice. Some models are certified for use in Canada. Gaggenau is not responsible for products which are transported from the United States for use in Canada. Check with your local Canadian distributor or dealer.

GAGGENAU

BSH Home Appliances Corporation

5551 McFadden Avenue, Huntington Beach, CA 92649 • 800/828-9165

Lit. No. 9000004049 Rev. B • © 2004 BSH Home Appliances Corp. • Printed in Korea 3/04

P/NO:3828W5U0340