

This Owner's Manual is provided and hosted by [Appliance Factory Parts](#).



# GE JVM1665SNSS Owner's Manual

[Shop genuine replacement parts for GE JVM1665SNSS](#)



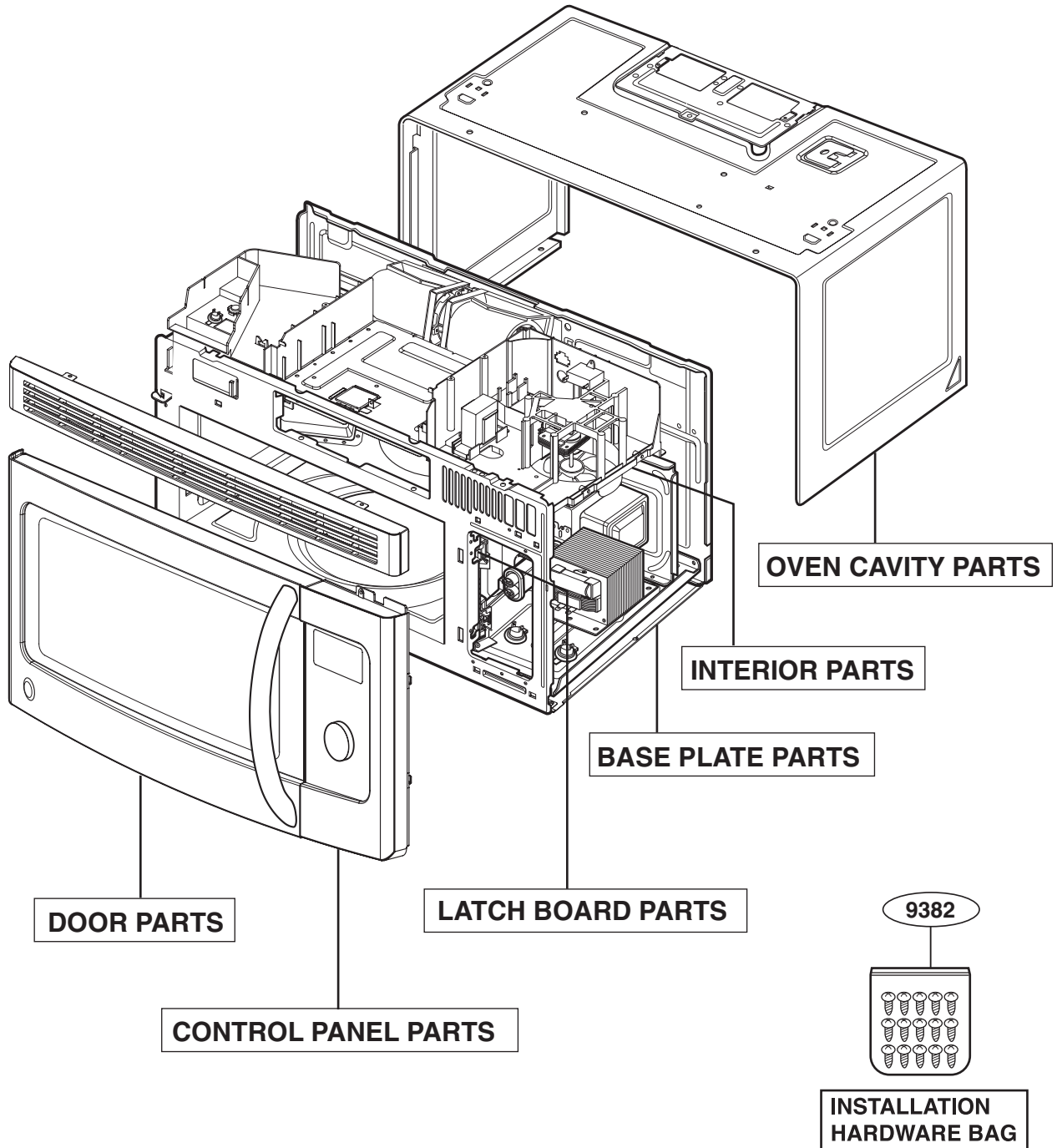
[Find Your GE Microwave Parts - Select From 3055 Models](#)

----- Manual continues below -----

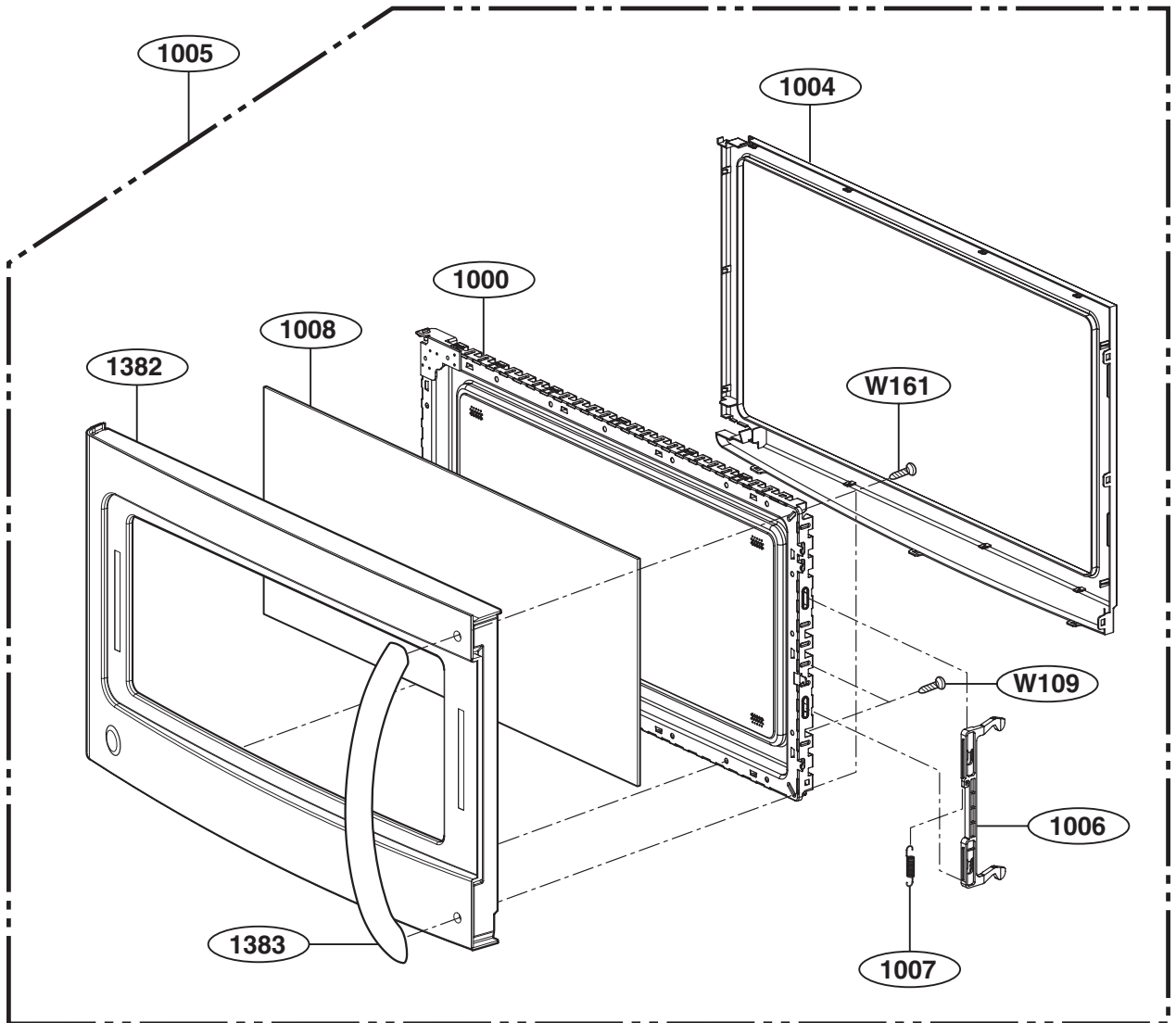
# EXPLODED VIEW

## INTRODUCTION

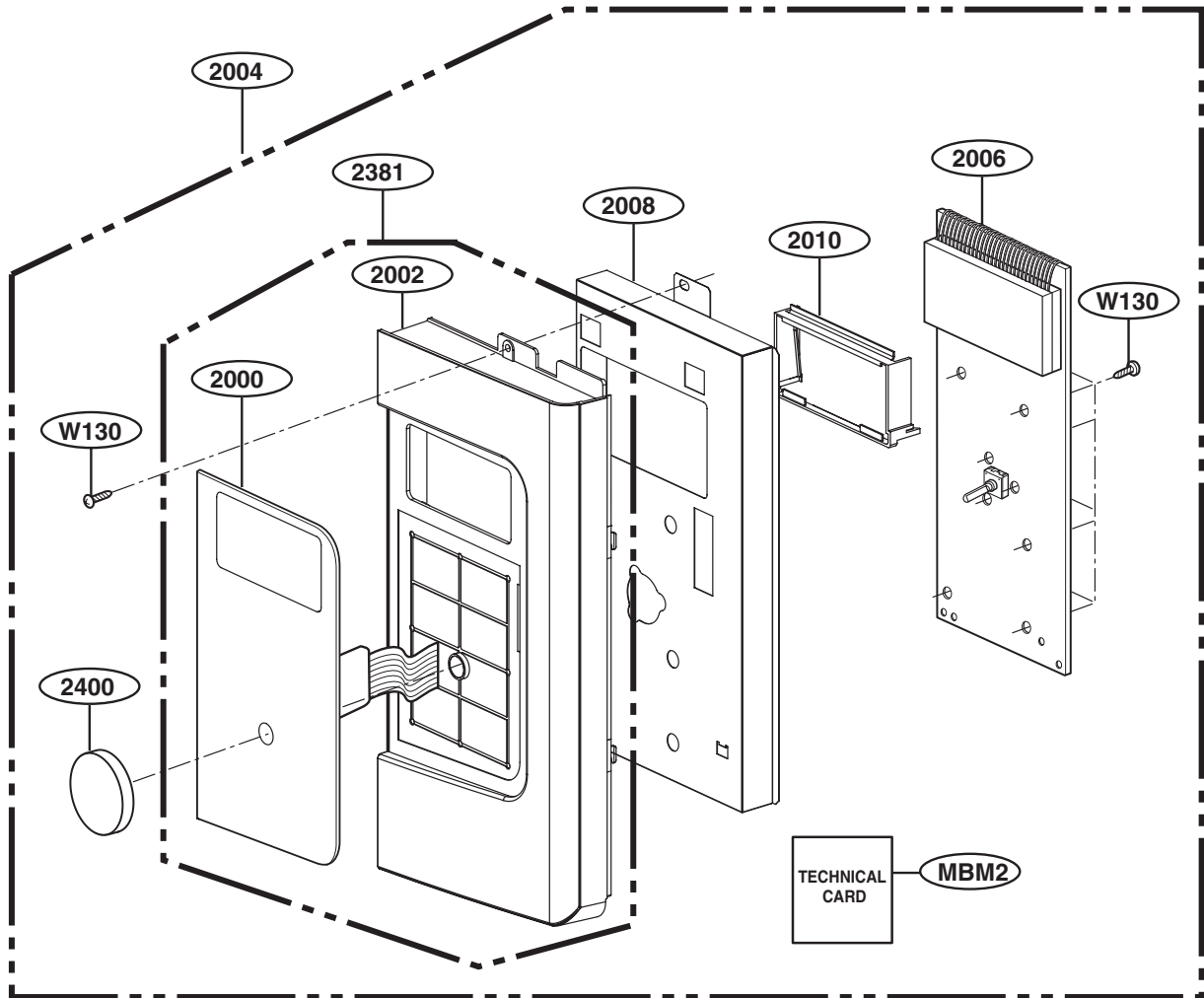
MODEL: JVM1665DNBB  
JVM1665DNWW



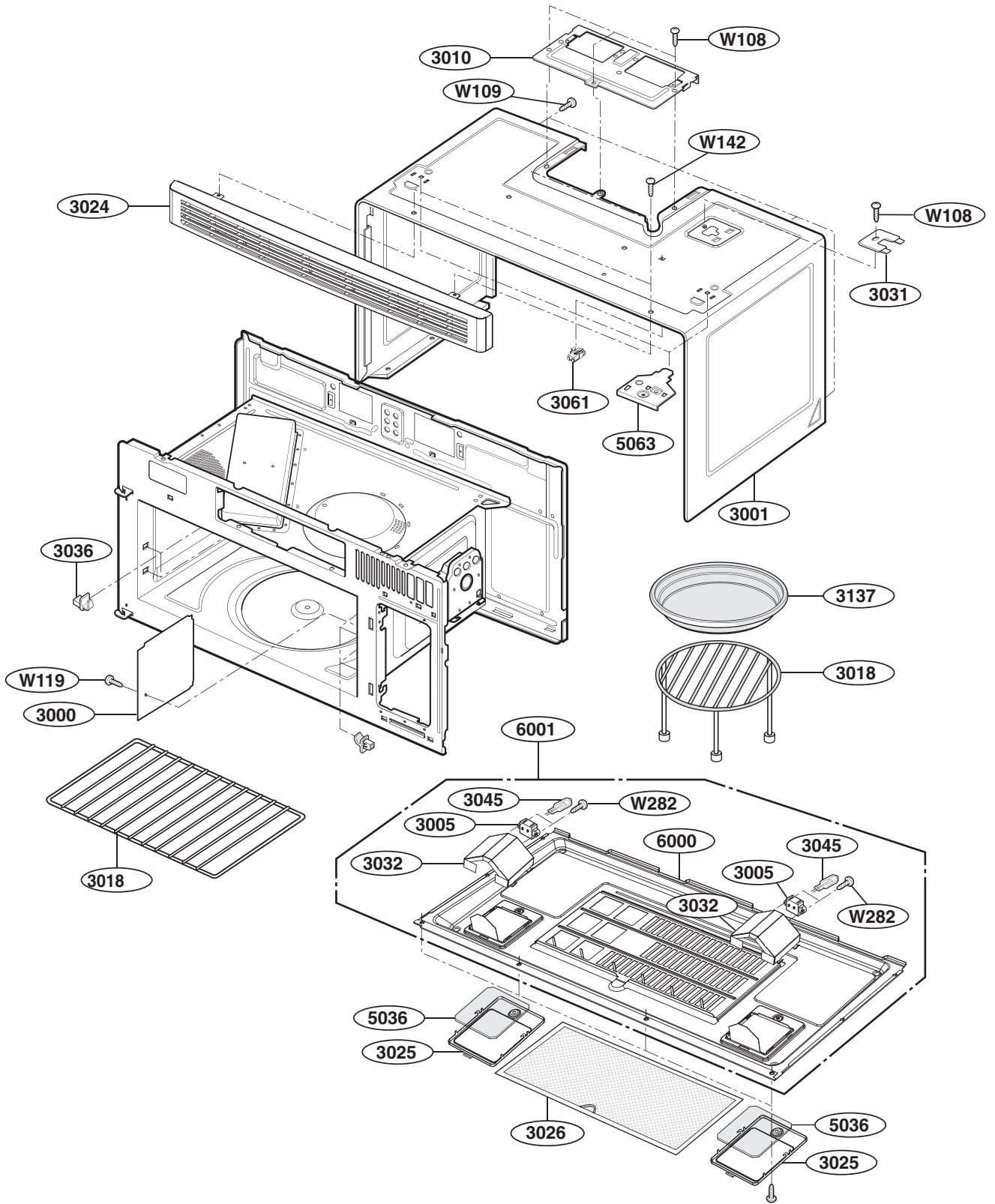
# DOOR PARTS



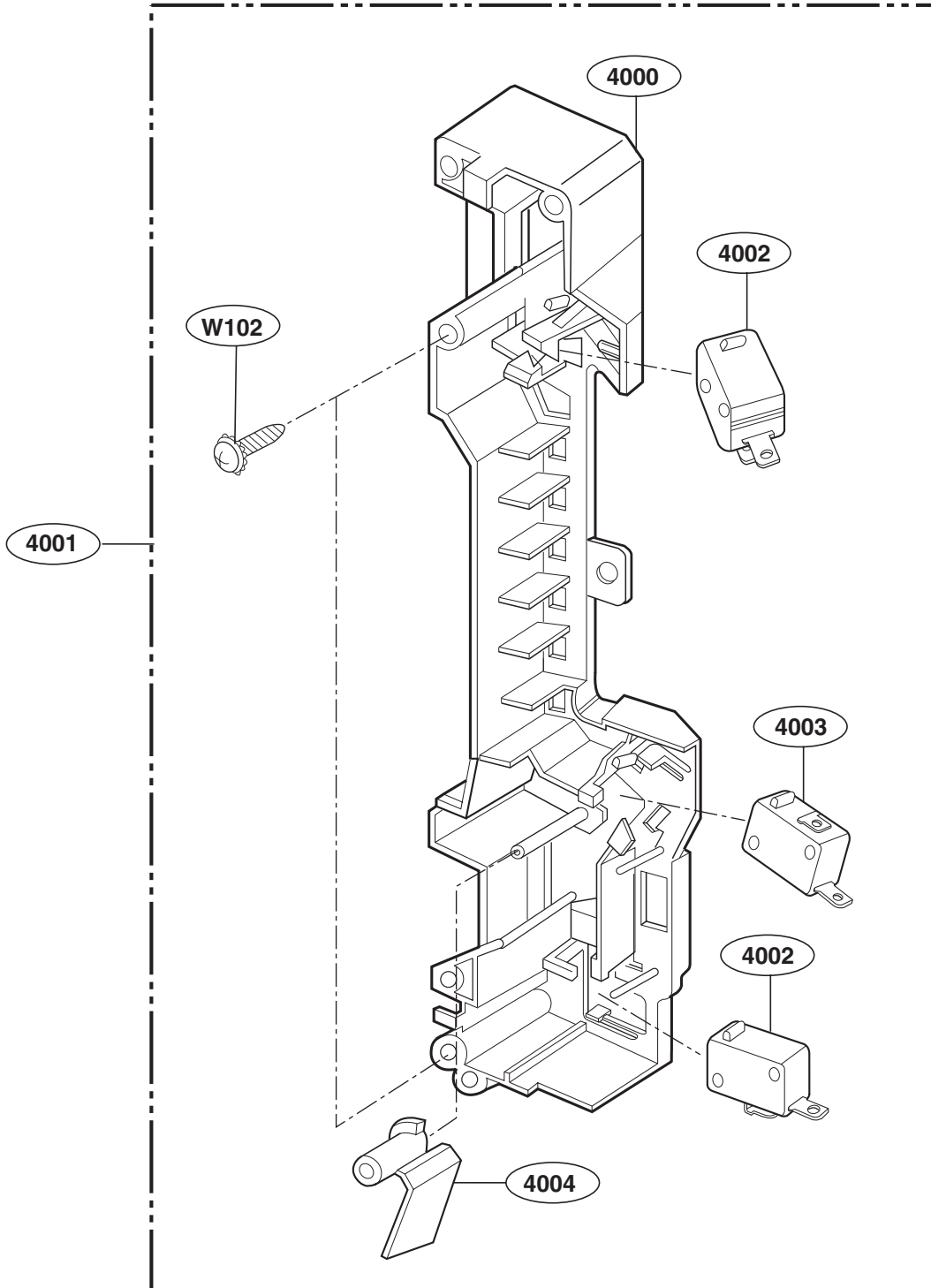
# CONTROLLER PARTS



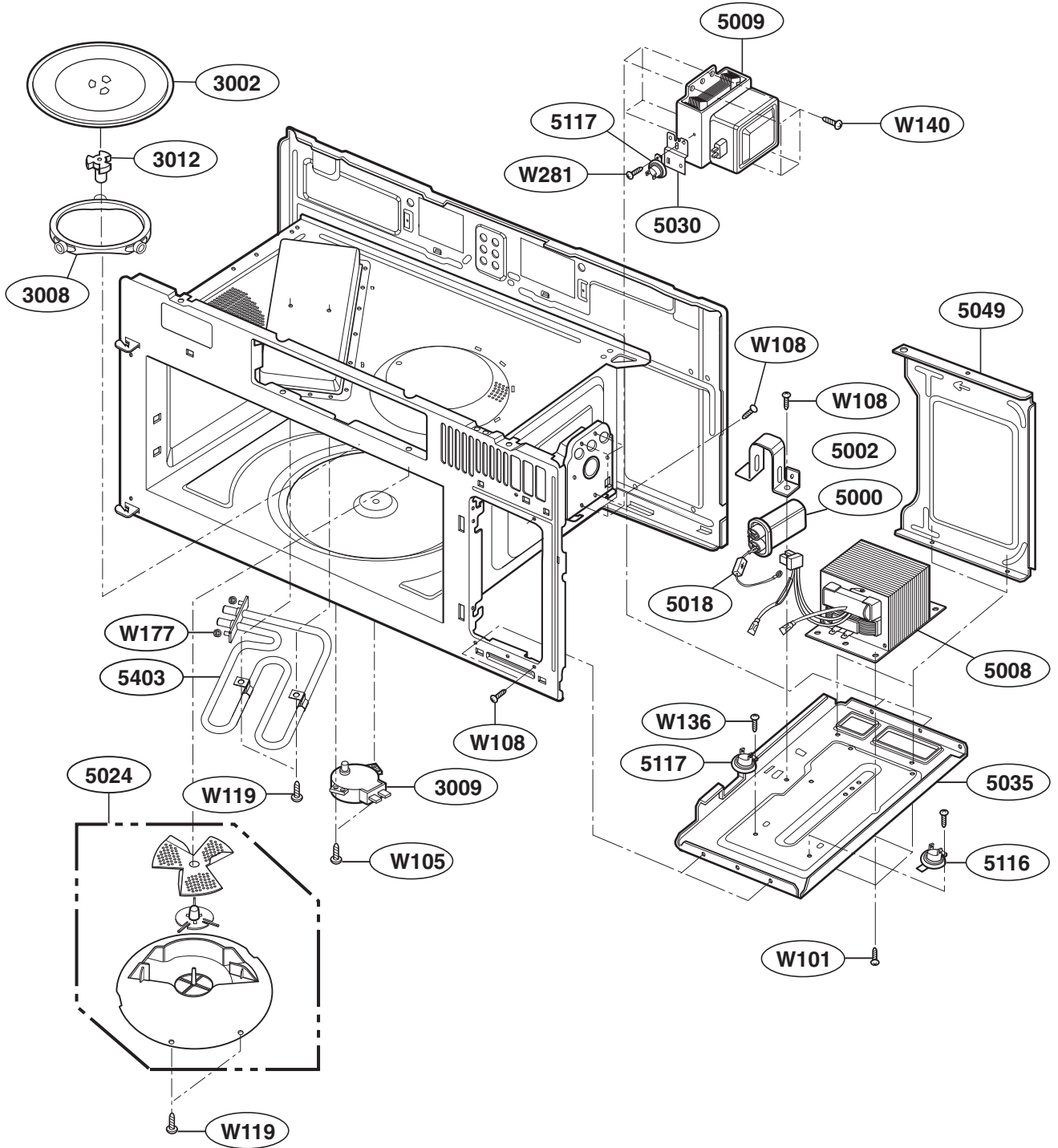
# OVEN CAVITY PARTS



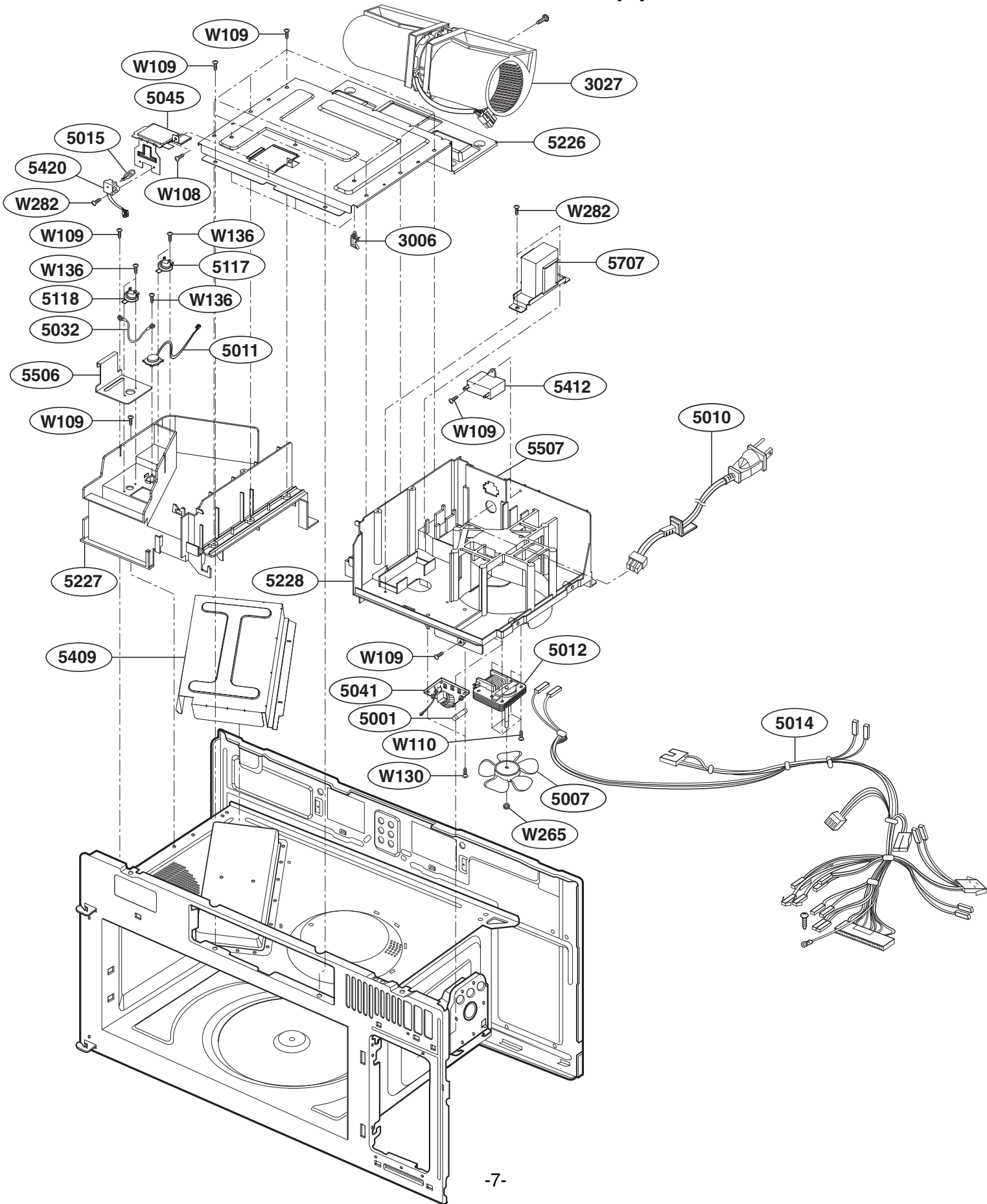
# LATCH BOARD PARTS



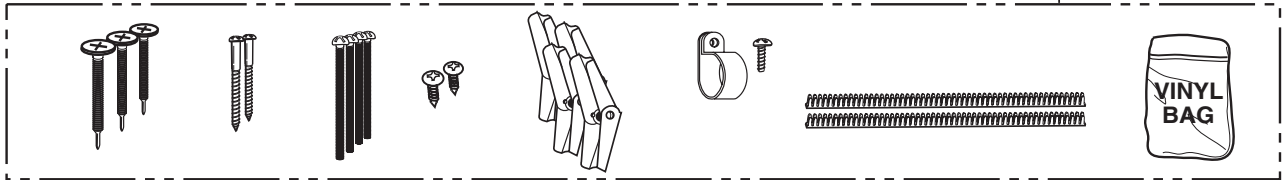
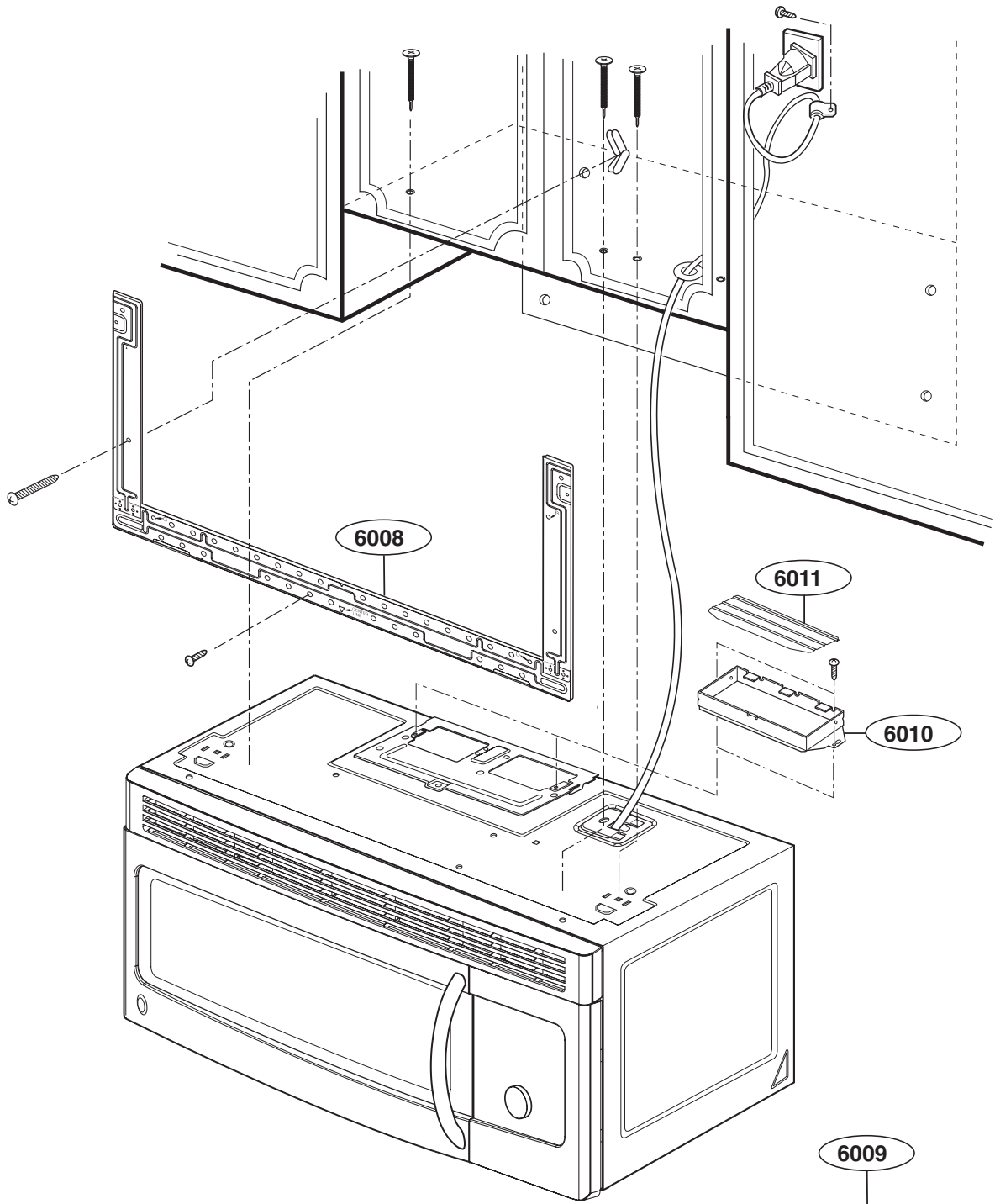
# INTERIOR PARTS (I)



# INTERIOR PARTS (II)



# INSTALLATION PARTS



- OWNERS MANUAL — MFL1
- INSTALLATION MANUAL — MFL3
- COOKING GUIDE LABEL — MEZ1
- WALL TEMPLATE — MBM5
- UPPER TEMPLATE — MBM4