

Installation Instructions

Microwave Oven Built-In Trim Kits

JX1527CBC, JX1527CCC, JX1527CSC, JX1527CWC
 JX1530CBC, JX1530CCC, JX1530CSC, JX1530CWC

If you have questions, call 800-GEARES or visit our Website at: www.GEAppliances.com

BEFORE YOU BEGIN

Read these instructions completely and carefully.

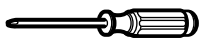
- **IMPORTANT** – Save these instructions for local inspector's use.
- **IMPORTANT** – Observe all governing codes and ordinances.
- **Note to Installer** – Be sure to leave these instructions with the Consumer.
- **Note to Consumer** – Keep these instructions for future reference.

- This kit is for use on models: JE1590BC, JE1590CC, JE1590SC, JE1590WC.
- This kit can be installed alone or over any General Electric/Hotpoint/RCA single electric wall oven.
- Unplug the microwave oven before attempting installation of this kit.
- **Skill level** – Installation of this microwave oven requires basic mechanical and electrical skills.
- Completion time – 1-3 hours.
- Proper installation is the responsibility of the installer.
- Product failure due to improper installation is not covered under the GE Appliance Warranty.

FOR YOUR SAFETY:

WARNING – Before beginning the installation, switch power off at service panel and lock the service disconnecting means to prevent power from being switched on accidentally. When the service disconnecting means cannot be locked, securely fasten a prominent warning device, such as a tag, to the service panel.

TOOLS YOU WILL NEED



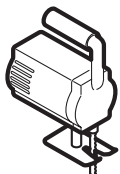
Phillips screwdriver (#1 & #2)



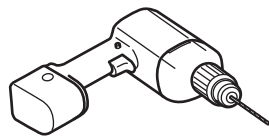
Pencil



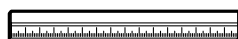
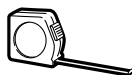
Awl or center punch



Saw (saber or keyhole)



Drill with 7/64" or #35 bit



Ruler or tape measure and straight edge

PARTS INCLUDED

PART		
	Trim Frame	1
	Upper Duct	1
	Rear Duct	1
	Bottom Duct	1
	Anti-tip Bracket	1
	Bottom Bracket	1
	Screw A (4 required, 2 extra)	4
	Screw B (16 required, 2 extra)	16
	Template	1

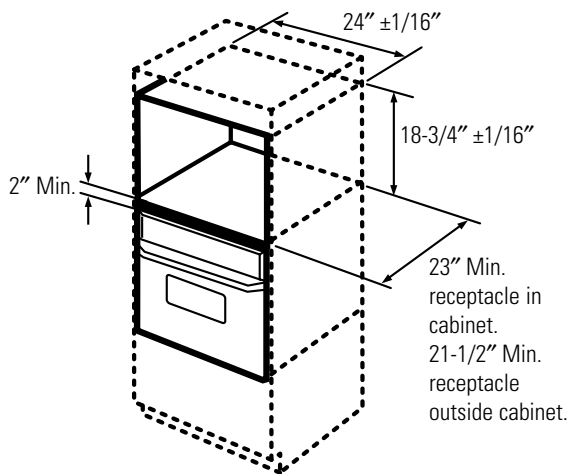
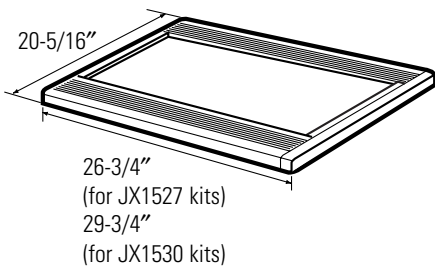
Installation Instructions

CABINET CUTOUT DIMENSIONS & SPECIFICATIONS

For JX1527 kits, allow 1-1/2" overlap of the Trim Frame over all edges of the cutout. For JX1530 kits, allow 1-1/2" overlap on top and bottom cutout edges and 3" overlap on each side of the cutout edges for the Trim Frame.

WIDTH	DEPTH
24" ±1/16"	21-1/2" Min receptacle outside cutout
HEIGHT	23" Min receptacle inside cutout
18-3/4" ±1/16"	

120 volt – 60 Hertz grounded power receptacle.



FOR INSTALLATION ABOVE A BUILT-IN OVEN

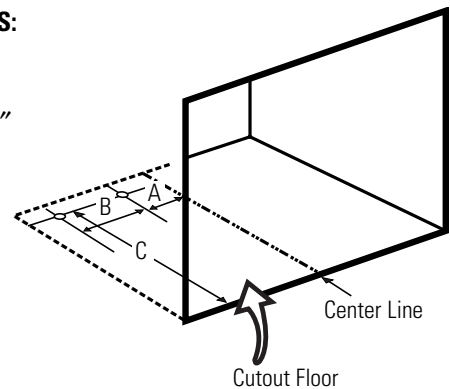
Microwave oven should be installed on a 3/8" plywood base and supported by 2x4 or 1x2 equivalent runners on all sides. Base must be capable of supporting a minimum of 100 lbs.

1. INSTALL THE ANTI-TIP BRACKET

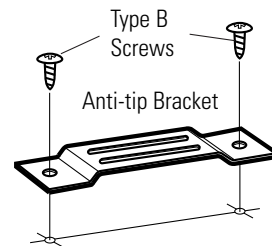
Disconnect microwave oven before proceeding with installation. Remove any loose items inside the microwave oven.

- A** Fold or cut the front edge of the Template, along the front guide line. Place the Template flush along the front edge of the cutout floor, aligning the center line of the Template with the center line of the cutout floor. Mark the center positions with an awl or center punch for the Anti-Tip Bracket or follow locations as shown.

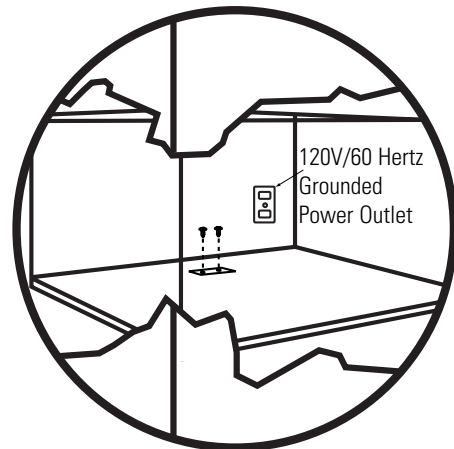
DIMENSIONS:
 A = 13/16"
 B = 3"
 C = 20-1/16"



- B** Remove the Template and drill two holes for the Anti-Tip Bracket.



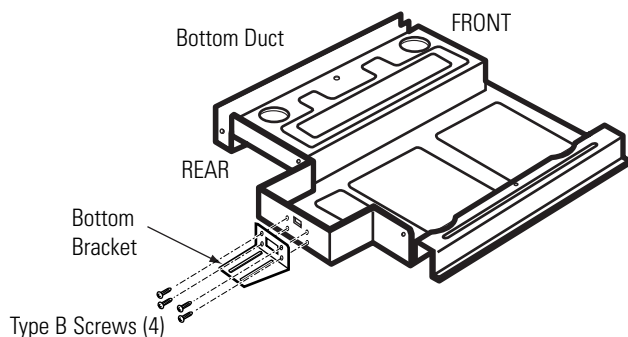
- C** Install the Anti-Tip Bracket onto the cutout floor using two Type B screws.



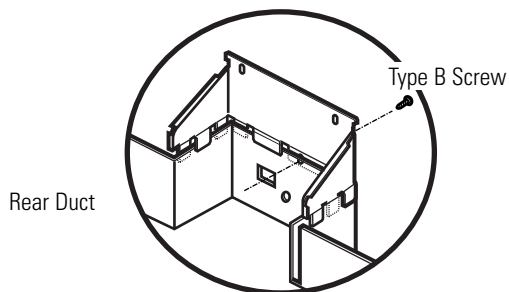
Installation Instructions

2. INSTALL BOTTOM DUCT ASSEMBLY TO MICROWAVE OVEN

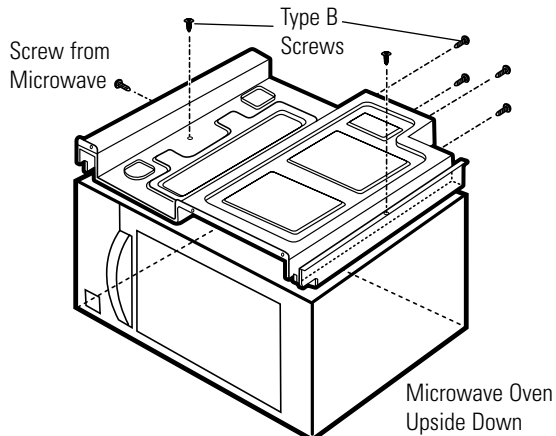
- A** Fasten the Bottom Bracket to the Bottom Duct using four Type B Screws.



- B** Install the Rear Duct to the Bottom Duct with one Type B Screw. Turn the microwave oven upside down.

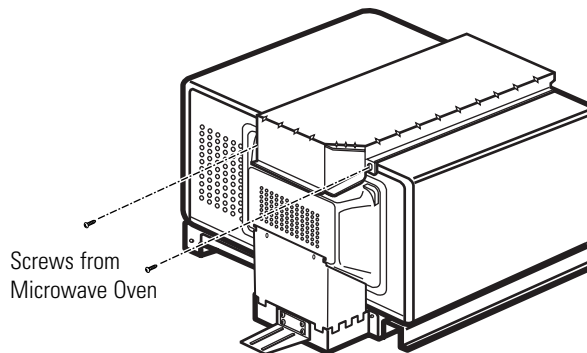


- C** Remove a screw from right side (control side) of microwave oven cabinet. Place the Bottom Duct assembly on the microwave bottom and fasten with six Type B Screws and the screw just removed from the side of the microwave oven. Turn the microwave oven right side up, being careful not to bend the Bottom Duct flange.



3. INSTALL UPPER DUCT

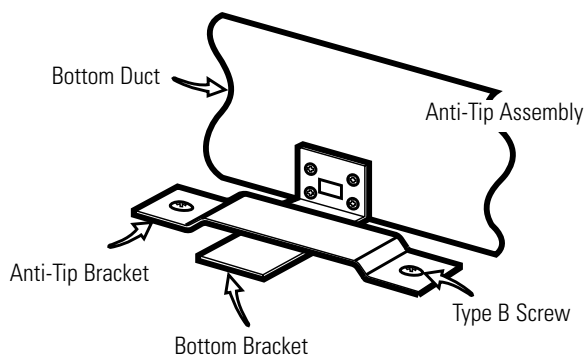
Remove two screws from back of the microwave oven. Peel off the adhesive backing from the Upper Duct and secure it to the microwave oven by pressing it firmly down on duct. Fasten the Upper Duct with the two screws just removed from the microwave oven.



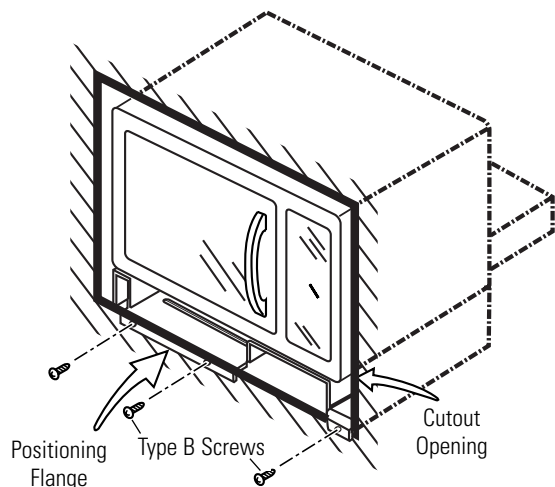
Installation Instructions

4. INSTALL MICROWAVE OVEN INTO CABINET

- A** Slide microwave oven partly into the cutout opening. Ensure that the Bottom Bracket is flat to the cutout floor to engage correctly to Anti-tip Bracket. Plug power cord into the wall receptacle, center the microwave oven to the center of the cabinet cutout and slide it in place, engaging the Anti-tip Bracket. Use care to keep the power cord from getting pinched while the Bottom Bracket is engaging.

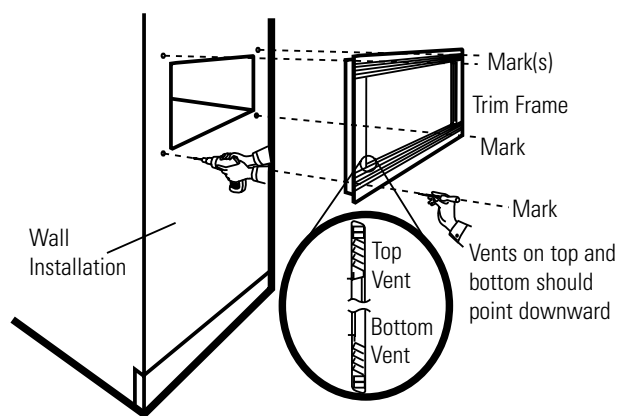


- B** Drill pilot holes through the holes in the front flange of the Bottom Duct Assembly. Screw in three Type B Screws to attach the assembly to the wall.



5. INSTALL TRIM KIT FRAME

- A** Place the Trim Frame over the microwave oven with the vent louvers pointing down. See illustration.
- B** Make sure the Trim Frame is level and the microwave oven is centered within the Trim Frame. Mark four center positions through the four mounting holes of the Trim Frame.
- NOTE:** Center the Trim Frame equally on all four sides.
- C** Remove the Trim Frame and drill four pilot holes in the marked locations.



- D** Attach the Trim Frame by using four Type A screws. Make sure the vent louvers in the Trim Frame are pointing down.

6. REPLACE ANY LOOSE ITEMS

- A** Your trim kit is now fully installed. Replace any loose items that were removed from the inside of the microwave oven.
- B** Replace house fuse or close circuit breaker.
- C** Keep these installation instructions for future reference.

Part No. 164D3370P127

Pub. No. 49-40130

3828W5U0115