

This Owner's Manual is provided and hosted by [Appliance Factory Parts](#).



GE LX2060ST Owner's Manual

[Shop genuine replacement parts for GE LX2060ST](#)



[Find Your GE Microwave Parts - Select From 3055 Models](#)

----- Manual continues below -----

BUILT-IN TRIM KIT INSTALLATION INSTRUCTION

(KEEP FOR FURTHER REFERENCE)

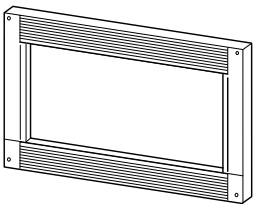
FOR LG TRIM-KIT MODELS: LX2060ST

FOR USE WITH LG MICROWAVE OVEN MODEL: LRM2060ST

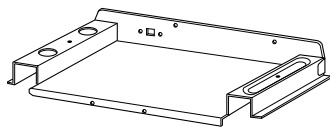
CAUTION: For personal safety, remove house fuse or open circuit breaker before beginning installation to avoid severe or fatal shock injury.

1 PARTS INCLUDED

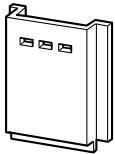
- Trim Frame



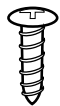
- Bottom Duct (1)



- Side Duct (1)



- 1" Screws (4 Req'd, 2 Extra)



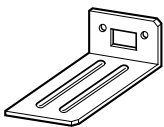
- 1/2" Screws (11 Req'd, 2 Extra)



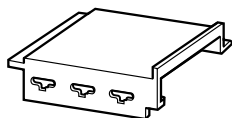
- Anti-Tip Bracket (1)



- Bottom Bracket (1)

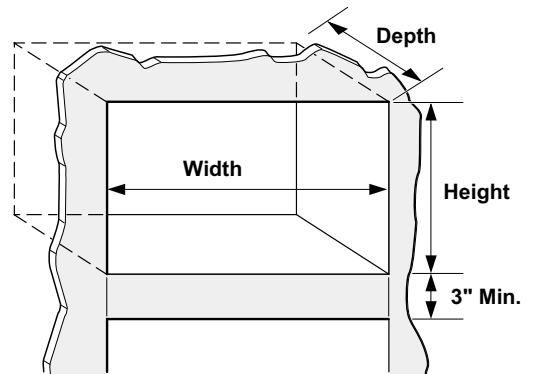


- Upper Duct (1)



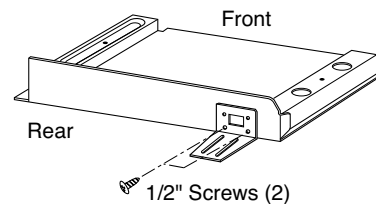
2 Cutout Dimensions

	30"
Height	16 3/4"
Width	25 1/2"
Depth (min.)	23 3/4"

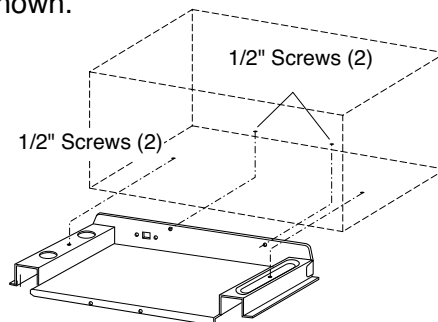


3

1. Disconnect the microwave oven before proceeding with the installation.
2. Remove any loose items inside the microwave oven.
3. Fasten the bottom bracket to the bottom duct by using two 1/2" screws.



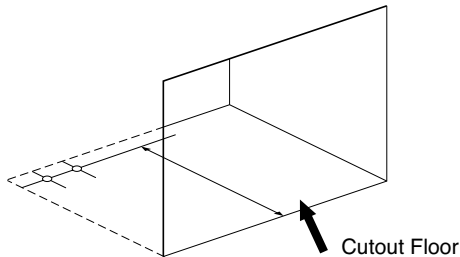
4. Install bottom duct with four 1/2" screws as shown.



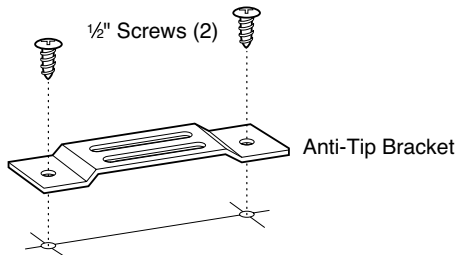
Front View of Microwave

4

1. Fold or cut the front edge of the template, along the front guide line. Place the template flush along the front edge of the cutout floor, aligning the center line of the template with the center line of the cutout floor. Mark the center positions with an awl or center punch for the anti-tip bracket location as shown.



2. Remove the template and drill two holes for the anti-tip bracket.

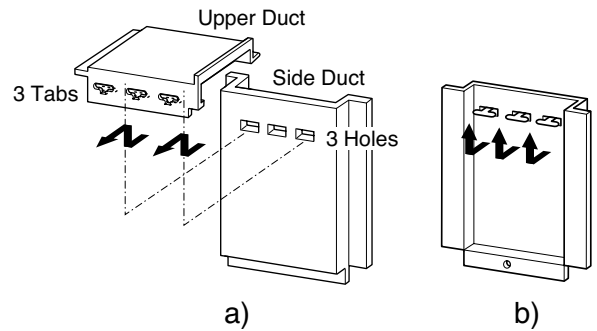


3. Install the anti-tip bracket onto the cutout floor using two 1/2" screws.

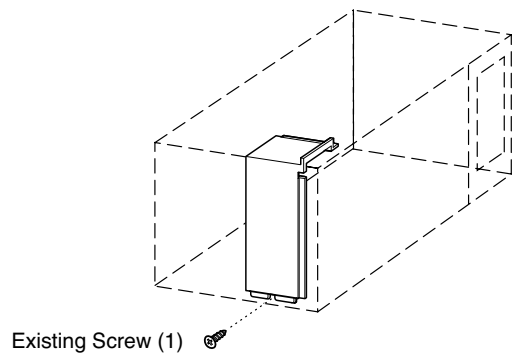
5

1. Remove the one existing screw from the left side of the microwave oven.
2. Connect the side duct to the upper duct as shown.
 - a) Insert projecting tabs of the upper duct into the holes of the side duct.
 - b) Bend the tabs up as shown.

NOTE: Remove any oil or dirt on the surface of the microwave oven before the ducts are attached.

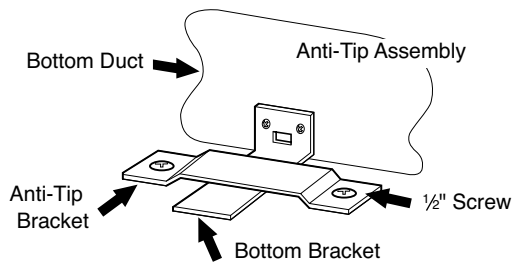


3. Peel off the backing of the double sided tape. Attach the side duct and upper duct assembly on the microwave cabinet. Press down firmly on the ducts. Fasten the duct assembly to the left side of the cabinet with one existing screw.

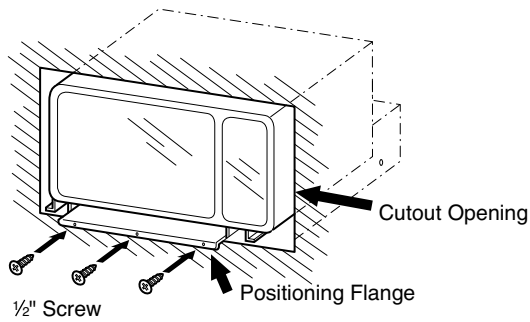


6

1. Slide the microwave oven part way into the cabinet opening.



2. Bottom bracket must be flat to the cutout floor to engage correctly with the anti-tip bracket as shown.
3. Plug in the microwave oven.
4. **Center** the microwave oven within the cutout opening and slide the microwave oven in place, engaging the anti-tip bracket.
5. Ensure the microwave oven is **accurately centered**.



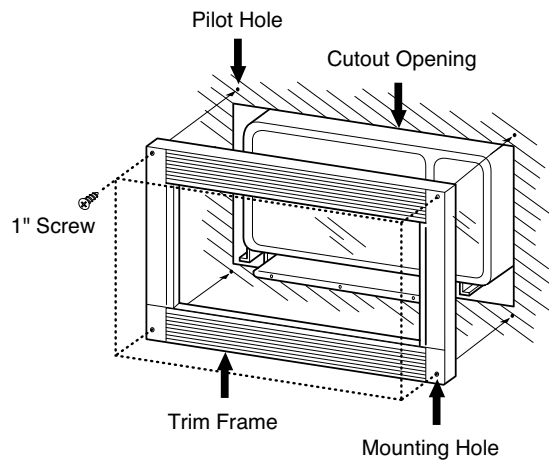
6. Drill pilot holes through the positioning flange and then install three 1/2" screws at the front of the bottom duct as shown.

7

1. Place the trim frame over the microwave oven.
2. Make sure the trim frame is level and the microwave oven is centered within the trim frame. Mark four center positions through the four mounting holes of the trim frame.

NOTE: Center the trim frame equally on all four sides.

3. Remove the trim frame and drill four pilot holes.



4. Attach the trim frame by using four screws.

8

1. Your trim kit is now fully installed. Replace any loose items that were removed from the inside of the microwave oven.
2. Please keep these installation instructions for future reference.

