

This Owner's Manual is provided and hosted by [Appliance Factory Parts](#).



WHIRLPOOL MK1134XHQ Owner's Manual

[Shop genuine replacement parts for WHIRLPOOL
MK1134XHQ](#)



[Find Your WHIRLPOOL Microwave Parts - Select From 1350 Models](#)

----- Manual continues below -----

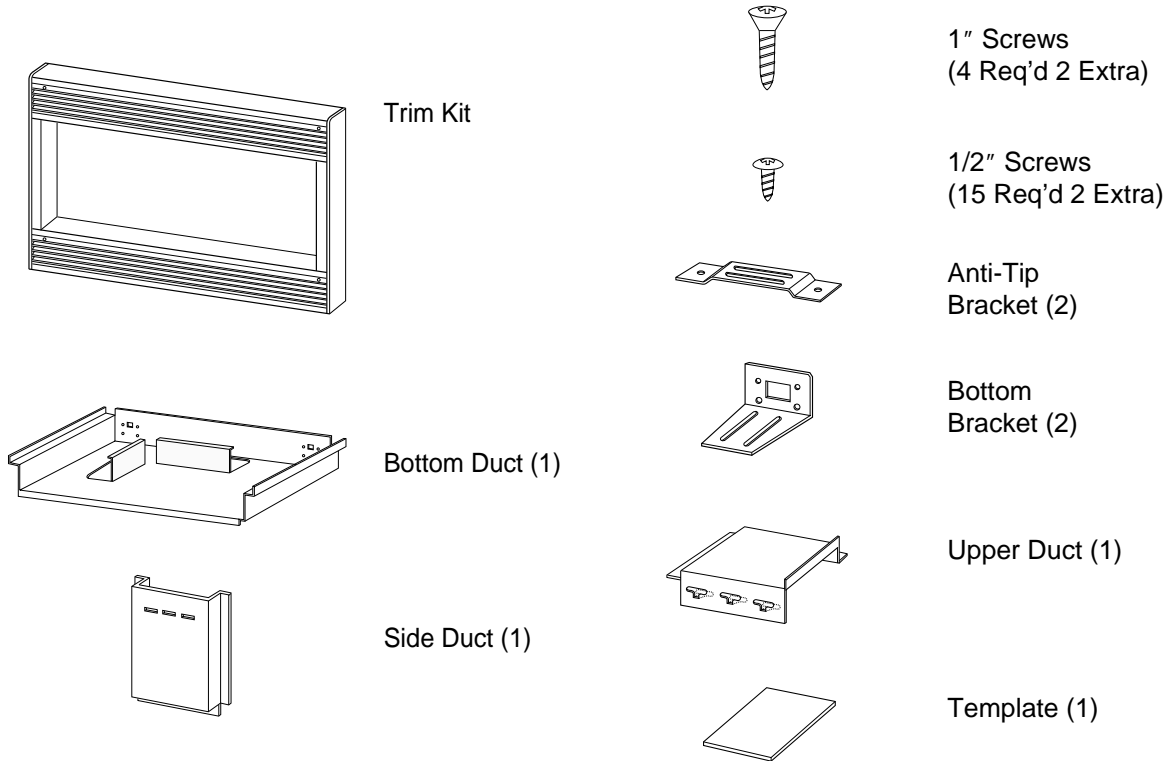
BUILT-IN TRIM KIT INSTALLATION INSTRUCTION

(KEEP FOR FURTHER REFERENCE)

FOR WHIRLPOOL TRIM-KIT MODELS: MK1134XH, MK1137XH, MK1130XH

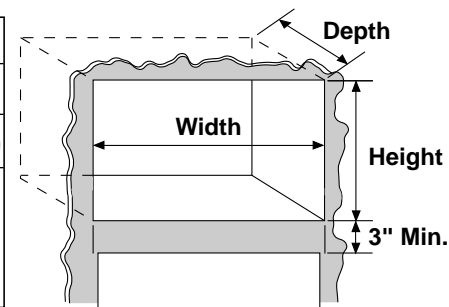
- FOR USE WITH WHIRLPOOL MICROWAVE OVEN MODELS :
 (Y)MT1130SG, (Y)MT1135SG, (Y)KCMS135G, (Y)KCMS135H, (Y)MT3130SH,
 (Y)MT3135SH, MT2140SJ, (Y)MT2145SJ, MT0130SJ, (Y)KCMS145J
- UL AND CSA LISTED - FOR USE OVER ELECTRIC HEAT SOURCE
 (INCLUDING MODELS - 24": RBS245PD, KEBI141D, KEBS147D
 - 27": (Y)RBS275PD, (Y)GBS277PD, KEBI171D, (Y)KEBS177D
 - 30": (Y)RBS305PD, GBS307PD, (Y)KEBI101D, (Y)KEBS107D)

PARTS LIST




CUTOUT DIMENSIONS

	24 "	27 "	30 "
Height	15 3/4 "		
Width	22 1/2 "	22 1/2 "(min.), 25 1/2 "(max.)	25 1/2 "(min.), 28 1/2 "(max.)
Depth	18 1/2 "(min.) with flush mount receptacle. (19 " if non-flush receptacle is used)		



P/NO.: 3828W5U0076/8172217

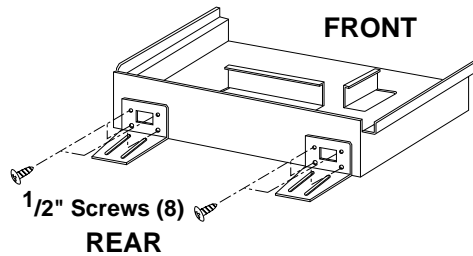
STEP 1



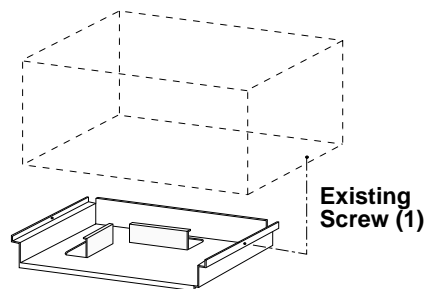
⚠ WARNING

Electrical Shock Hazard
Disconnect power before installing trim kit.
Replace all panels before operating.
Failure to do so can result in death or electrical shock.

1. Disconnect the microwave oven before proceeding with installation.
2. Remove any loose items inside the microwave oven.
3. Fasten the bottom brackets to the bottom duct by using eight 1/2" screws.
4. Remove two existing screws from the right and left side of microwave cabinet. (1 screw each side)
5. Install the bottom duct with one existing screw to the right side of microwave oven as shown.



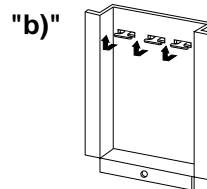
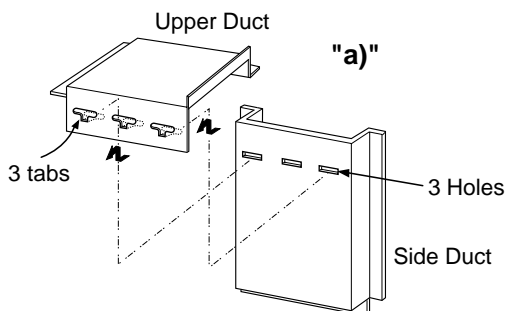
**FRONT VIEW OF
MICROWAVE**



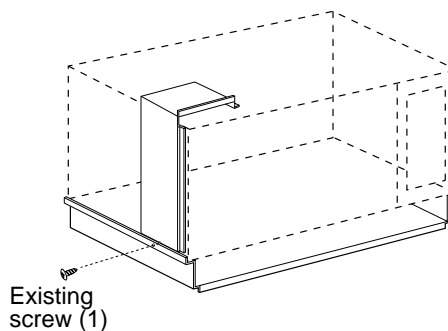
STEP 2

1. Connect the side duct to upper duct as shown.
 - a) Insert projecting tabs of upper duct into holes of side duct.
 - b) Bend tabs up as shown.

NOTE: Remove any oil or dirt on surface of microwave oven before ducts are attached.

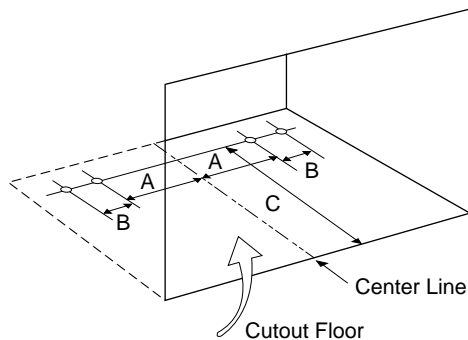


2. Peel off the backing of double sided tape. Using the left side screw holes as a guide, attach the side duct and upper duct assembly on the microwave cabinet. Press down firmly on ducts. Fasten side duct and bottom duct assembly to left side of cabinet with one existing screw.



STEP 3

1. On the cutout floor, mark hole centers for the anti-tip brackets as shown using the supplied template. Be sure to align the center line of template to center line of cutout floor.
2. Drill four holes for anti-tip brackets.
(use 7/64" drill or #35 drill)
3. Install two anti-tip brackets onto cutout floor using four 1/2" screws.

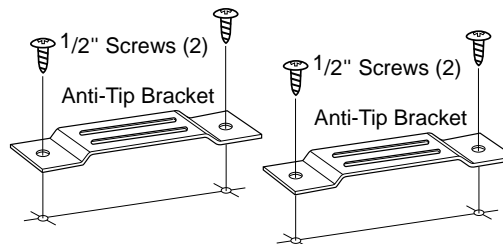


DIMENSIONS:

$$A = 7 \frac{5}{16} \text{ ''}$$

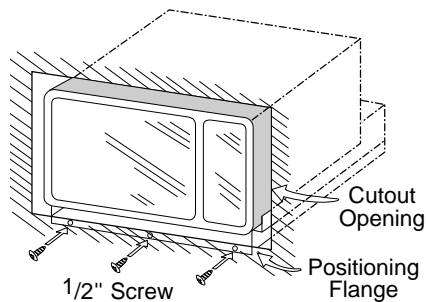
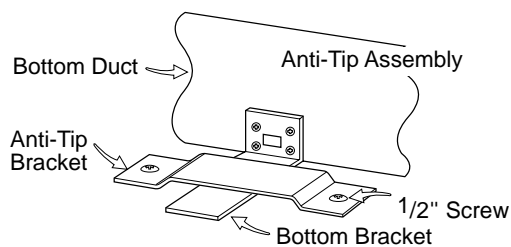
$$B = 3 \text{ ''}$$

$$C = 16 \frac{5}{16} \text{ ''}$$



STEP 4

1. Slide microwave oven part way into cabinet opening.
(Bottom brackets must be flat to the cutout floor to engage correctly with anti-tip brackets as shown)
2. Plug in the microwave oven.
3. **Center** the microwave oven within the cut-out opening and slide the microwave oven in place, engaging the anti-tip brackets.
(Ensure the microwave oven is **accurately centered**)
4. Drill pilot holes (use 7/64" drill or #35 drill) through the positioning flange and then install three 1/2" screws at the front of the bottom duct as shown.



STEP 5

1. Place the trim kit frame over the microwave oven.
Important Note : Trim kit frame orientation is important. Orient the frame so that louvers are sloping downward to the front. (See Figure Detail A).

2. Make sure the trim kit is level and centered with respect to microwave oven. Mark four hole centers through the four mounting holes of the trim kit.

NOTE: Center the trim kit frame equally on all four sides.

3. Remove the trim kit and drill four pilot holes.
(use $\frac{7}{64}$ " drill or #35 drill)

4. Attach the trim kit frame by using four 1" screws.
Make sure that the orientation is correct as stated above.

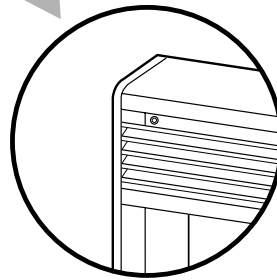
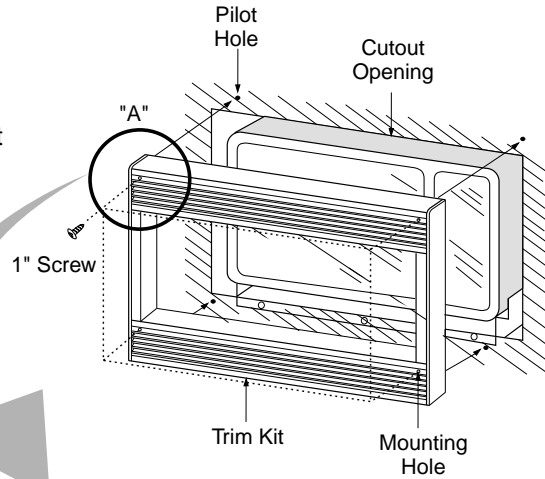


Figure Detail of "A"

STEP 6

1. Your trim kit is now fully installed. Replace any loose items that have been removed from inside microwave oven.
2. Please keep this installation instruction for future reference.